

Broil King®



Broil King
SIGNET 320 BLACK
9464-52
9464-53



Broil King
SIGNET 320
9468-52
9468-53



Broil King
SIGNET 340
9468-62
9468-63

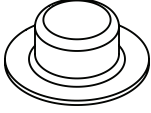
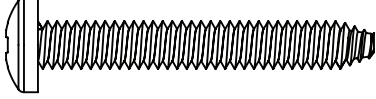

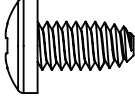

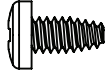

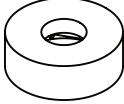
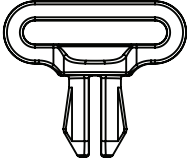
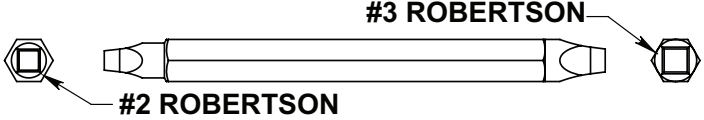


Broil King
SIGNET 390 BLACK
9464-82
9464-83

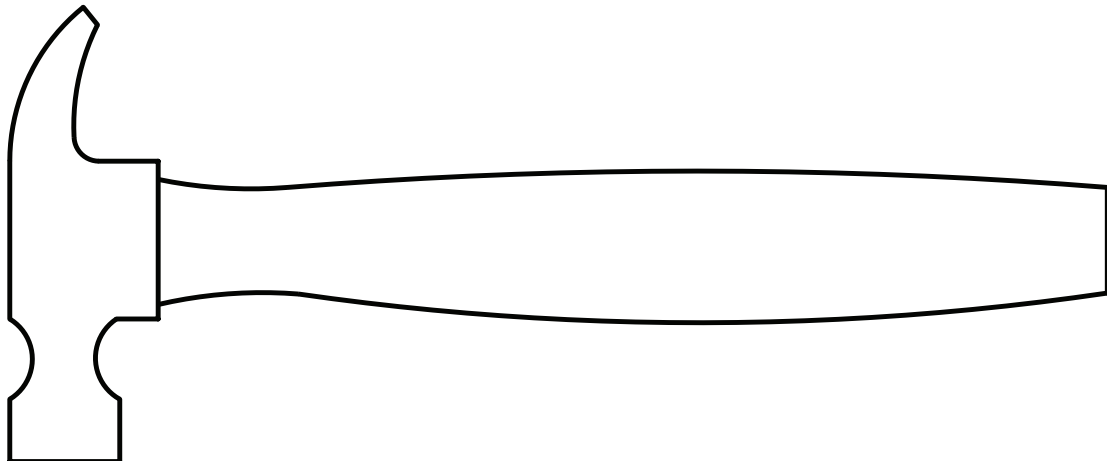
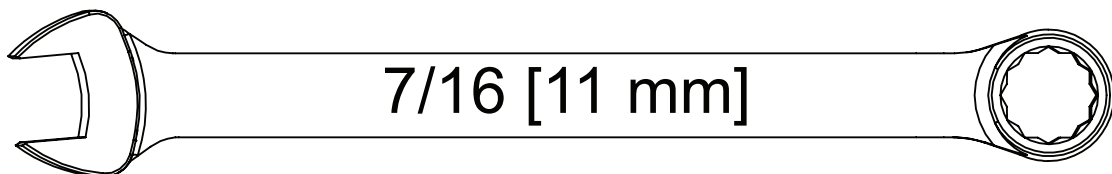


Broil King
SIGNET 390
9468-82
9468-83

HARDWARE INCLUDED

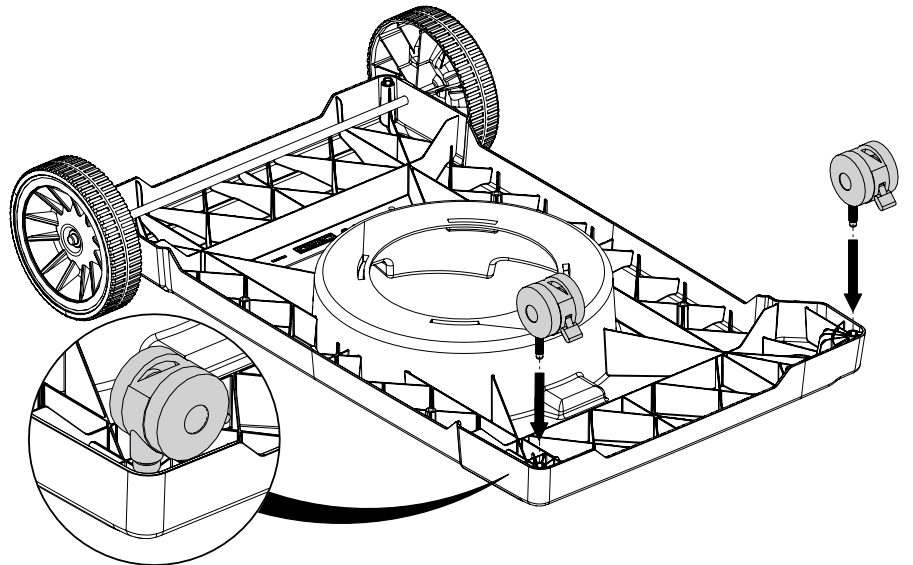
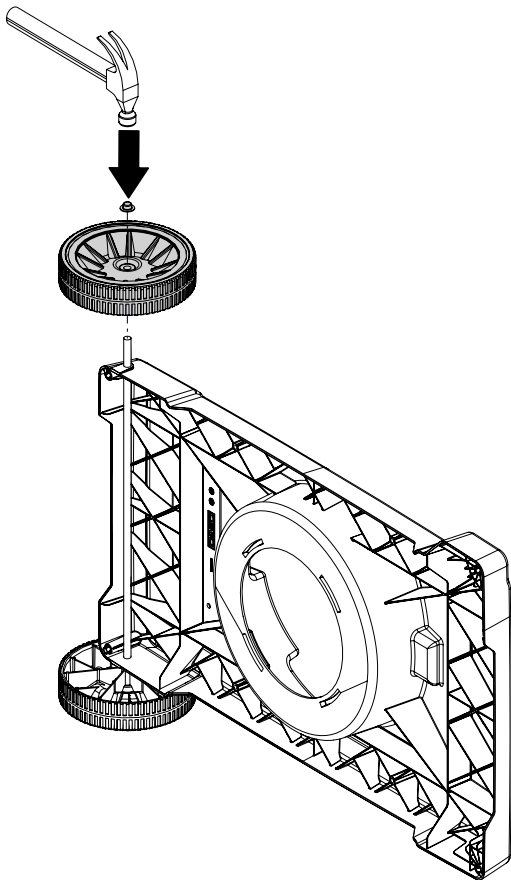
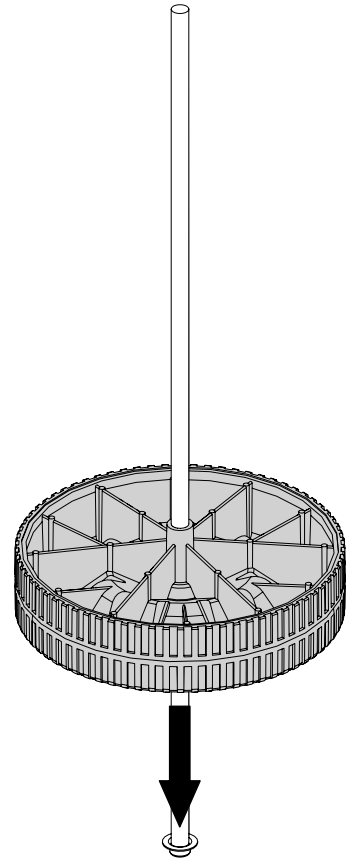
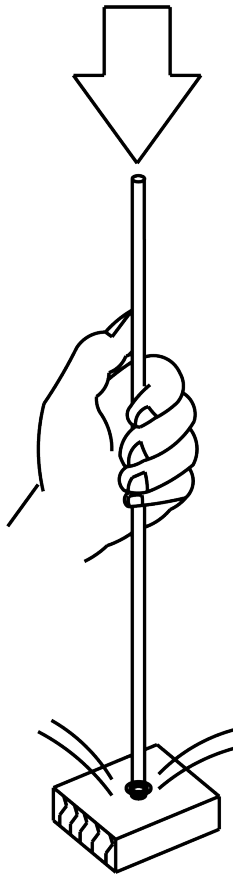
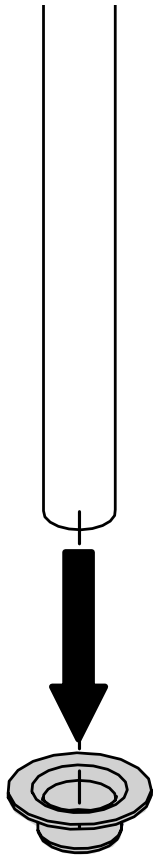
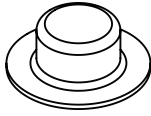
S21420		(2)	Y-11561		(4)
Y-11793		(2)	Y-12865		(8)
AAA		(1)	Y-29304		(2)
S21124		(2)	Y-12124		(2)
Y-12673		(2)	 <p style="text-align: center;">#3 ROBERTSON</p> <p style="text-align: center;">#2 ROBERTSON</p>		

TOOLS REQUIRED

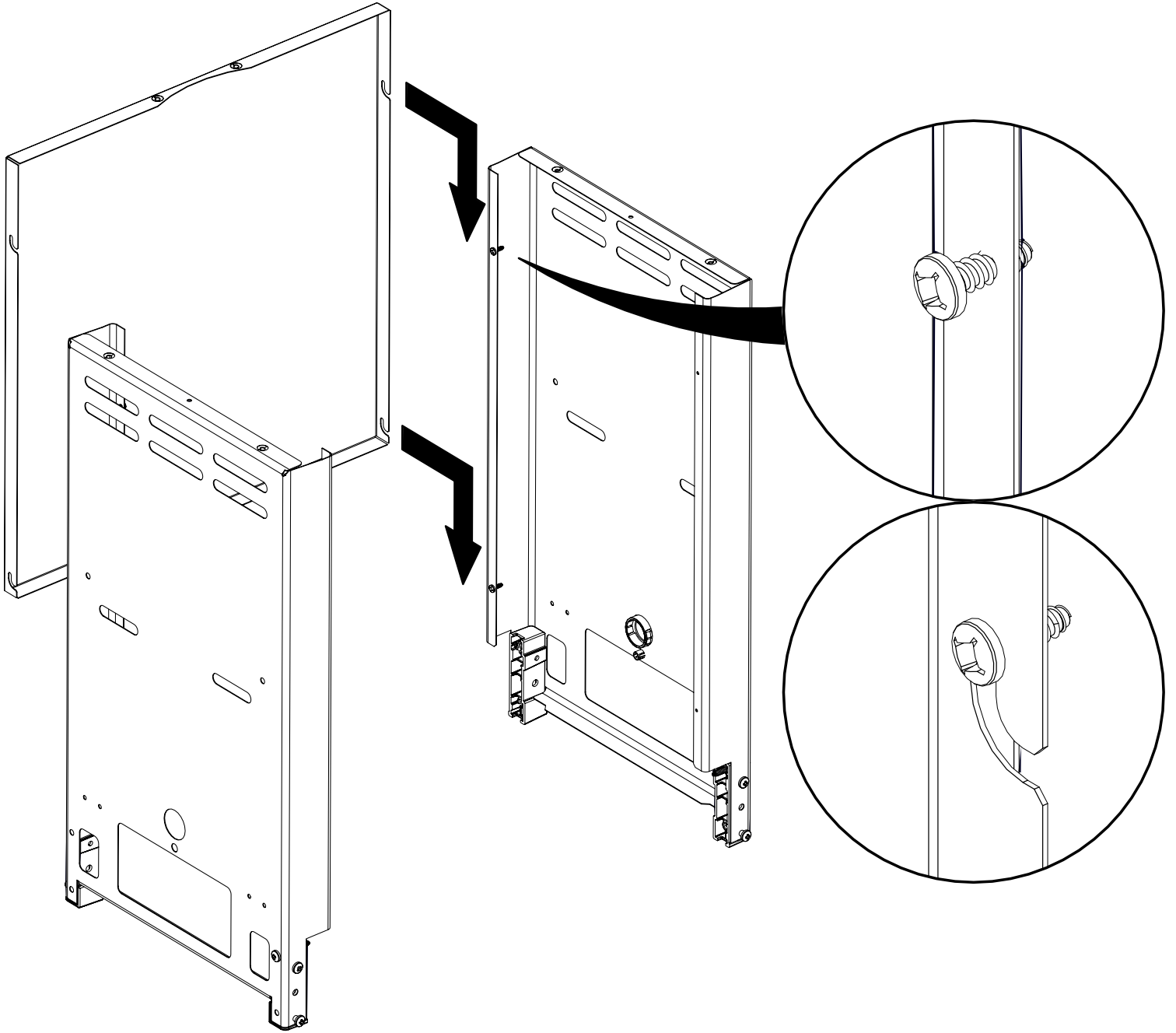


1

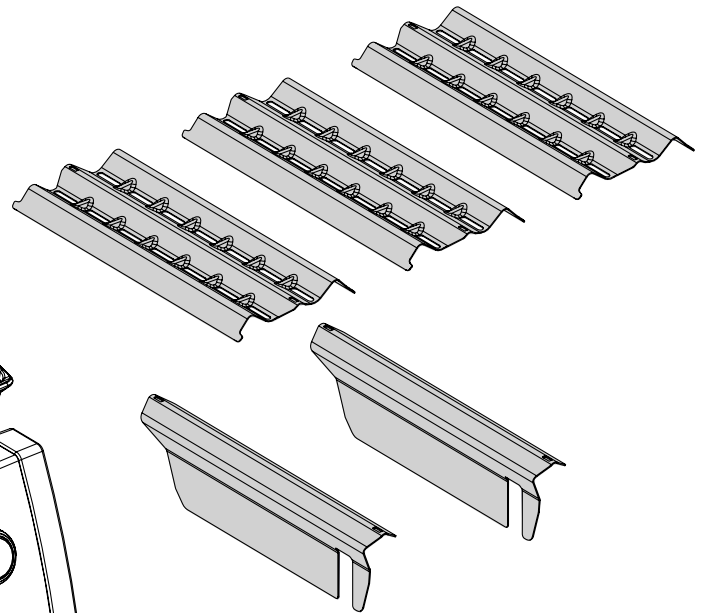
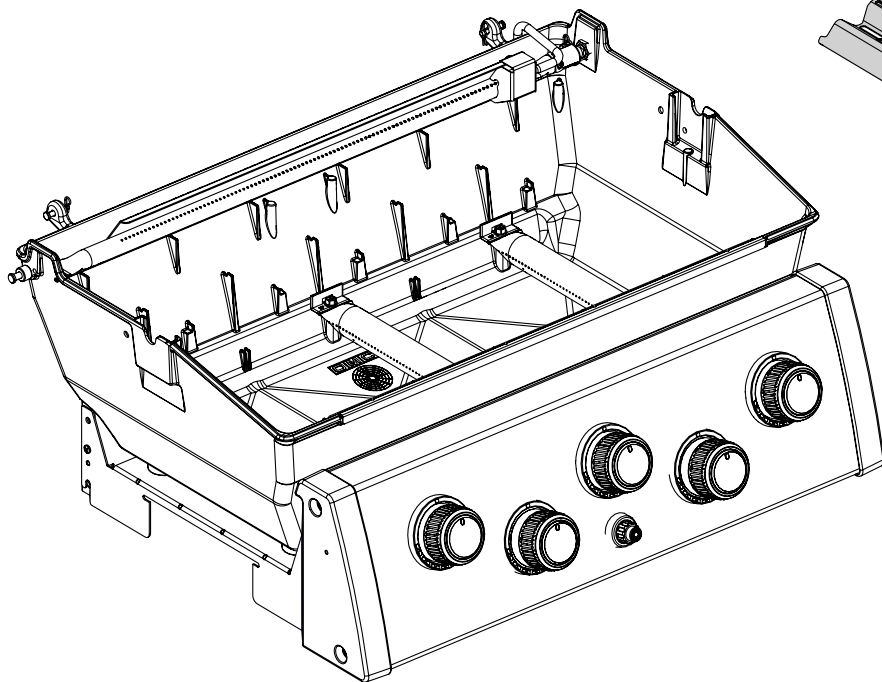
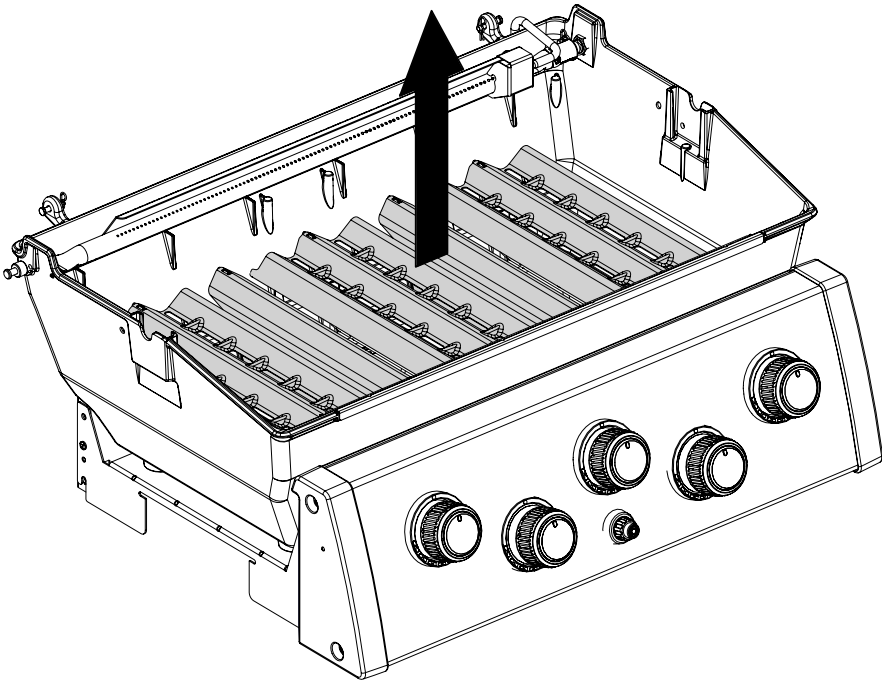
(2)



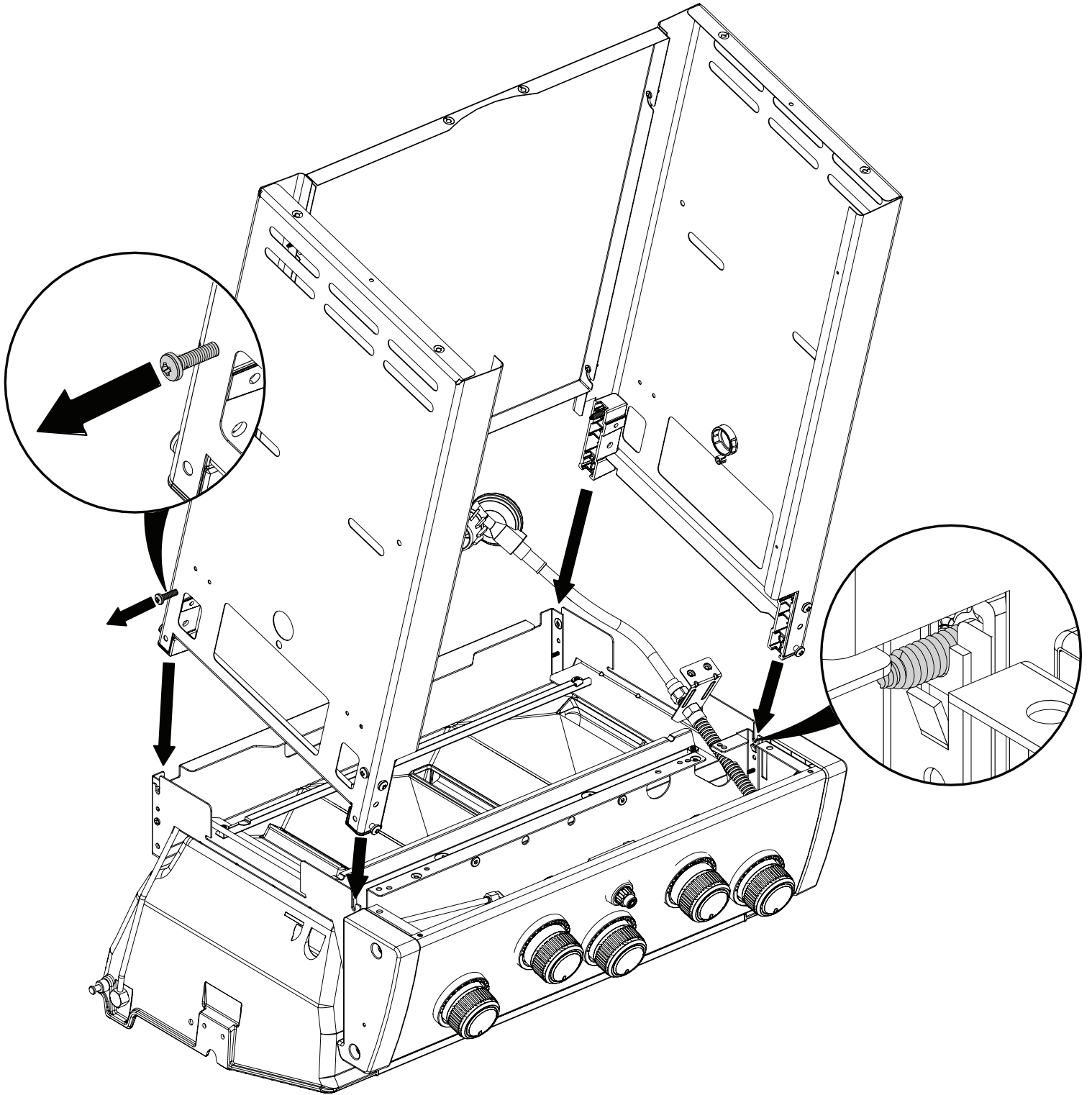
2



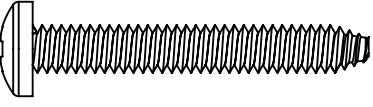
3

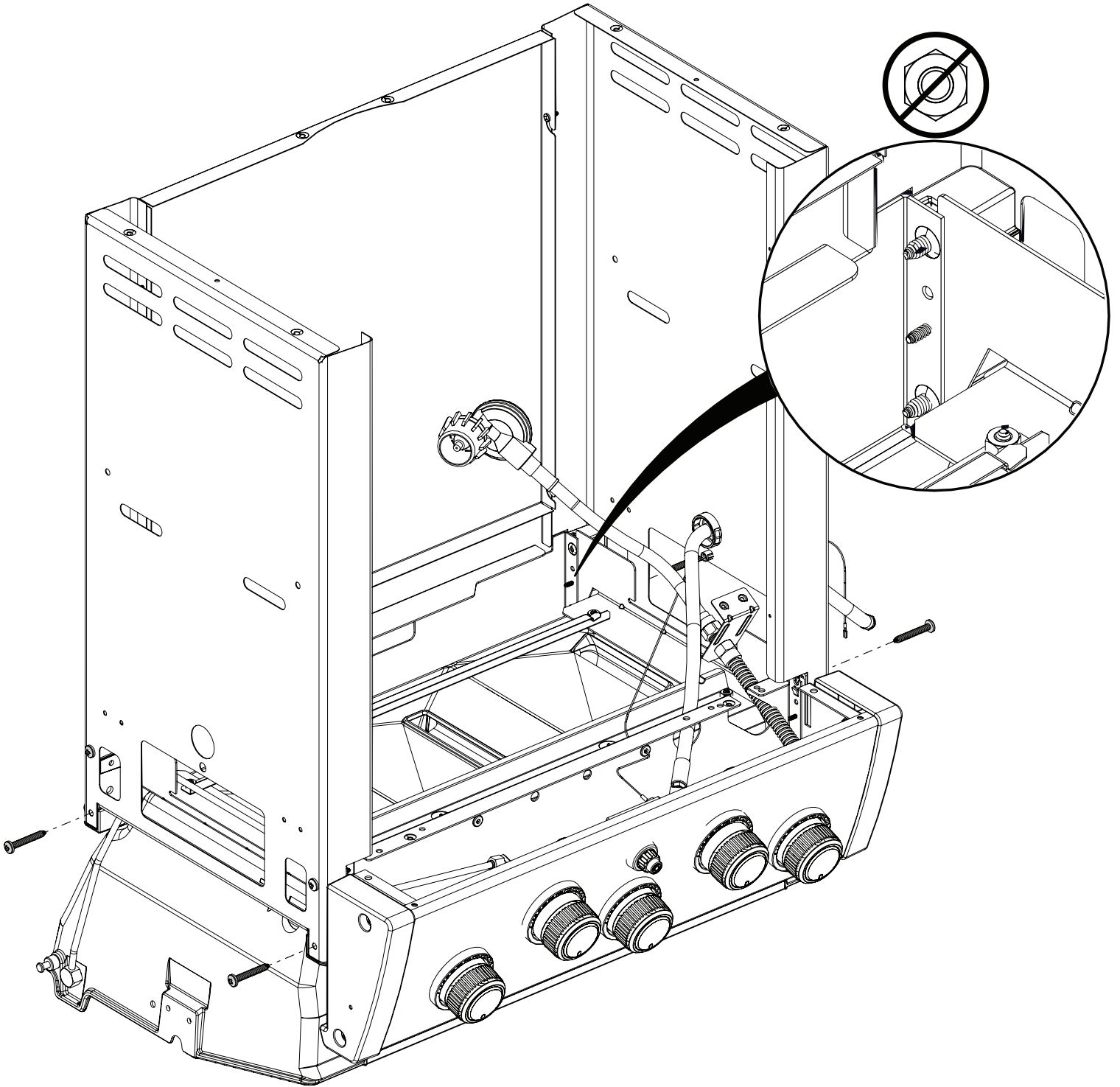


4



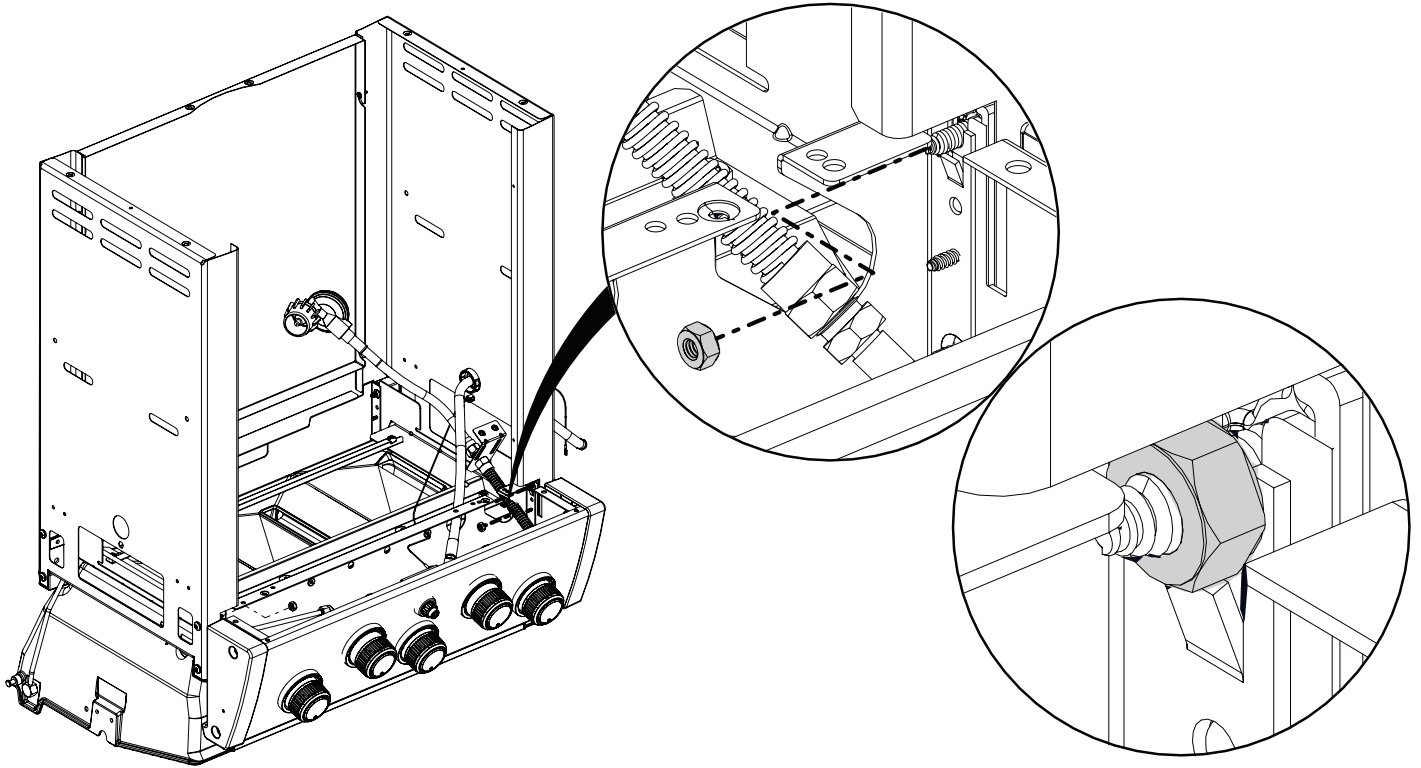
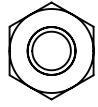
5

(4) 



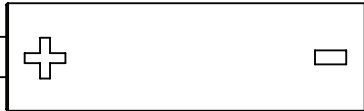
6

(2)

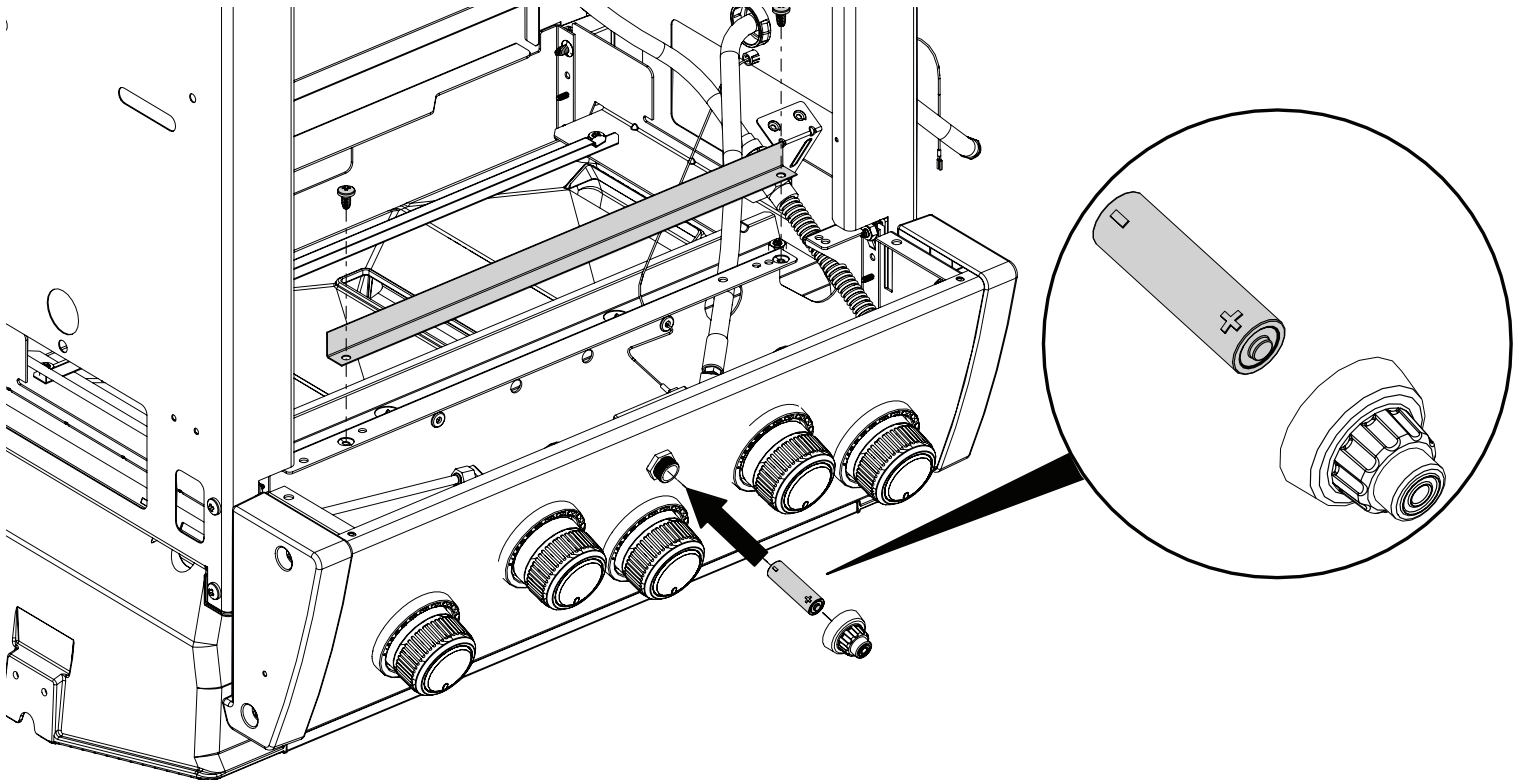
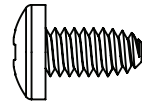


7

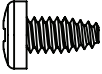
(1)

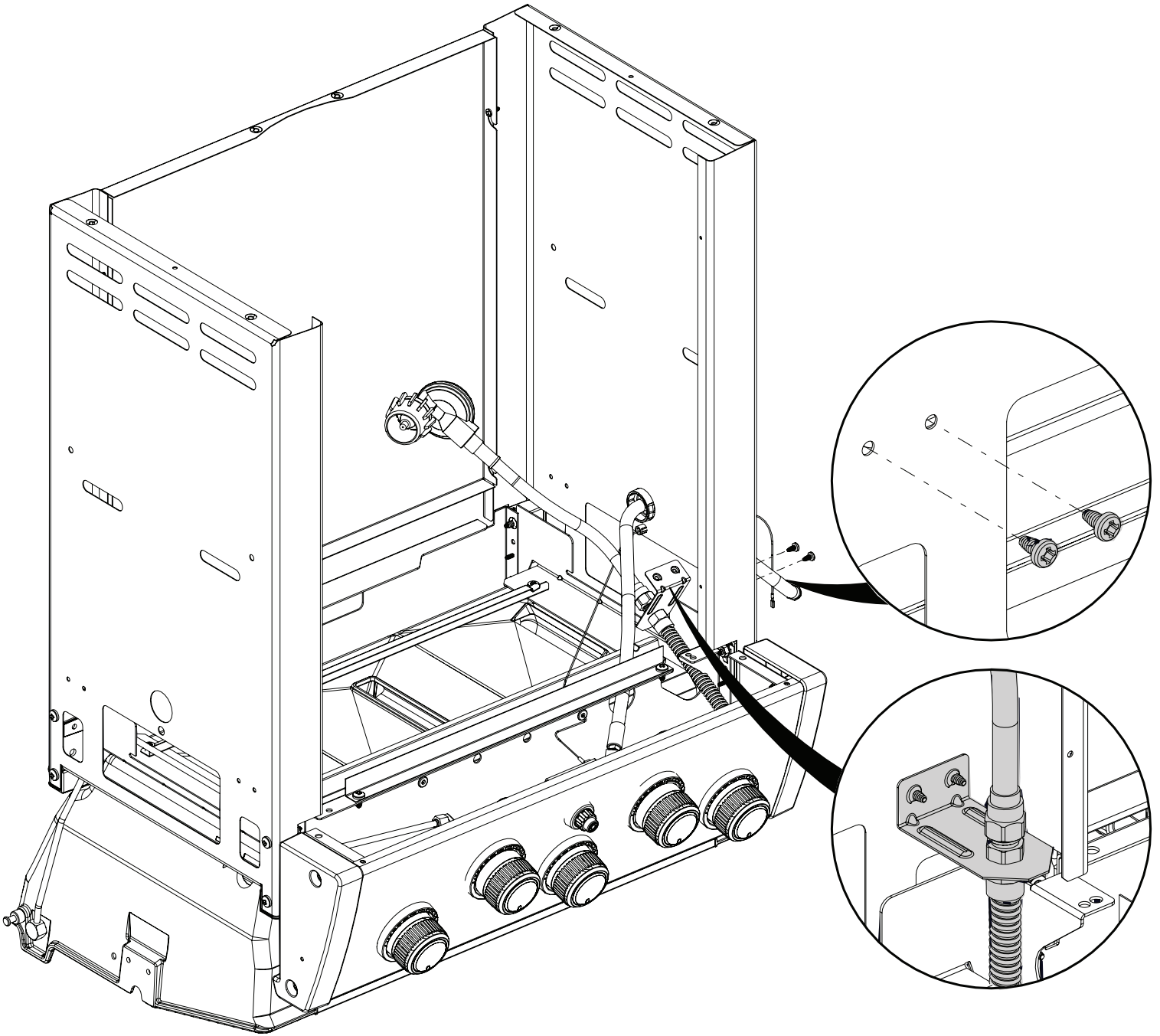


(2)



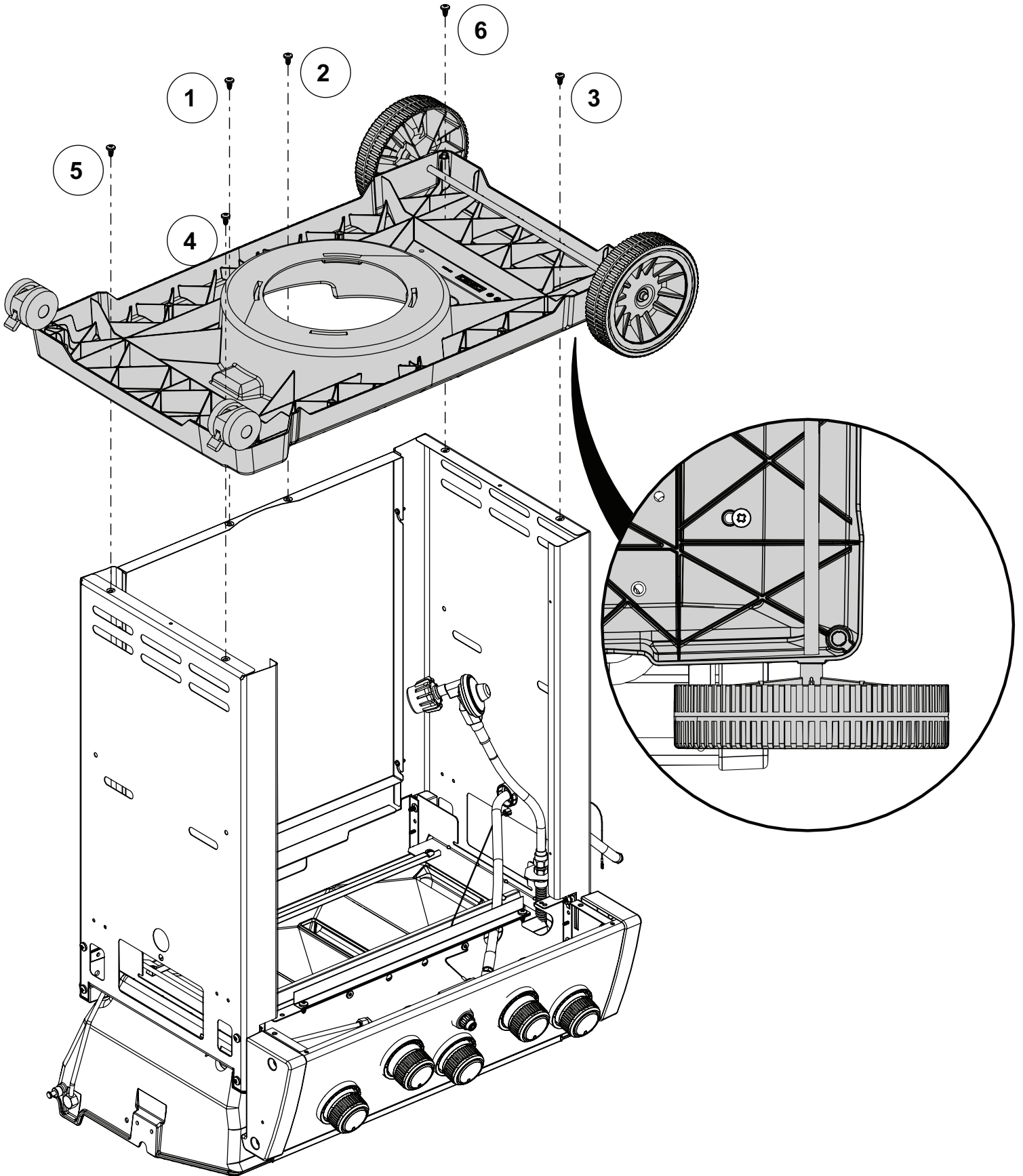
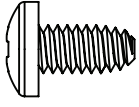
8

(2) 




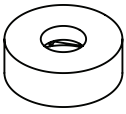
9

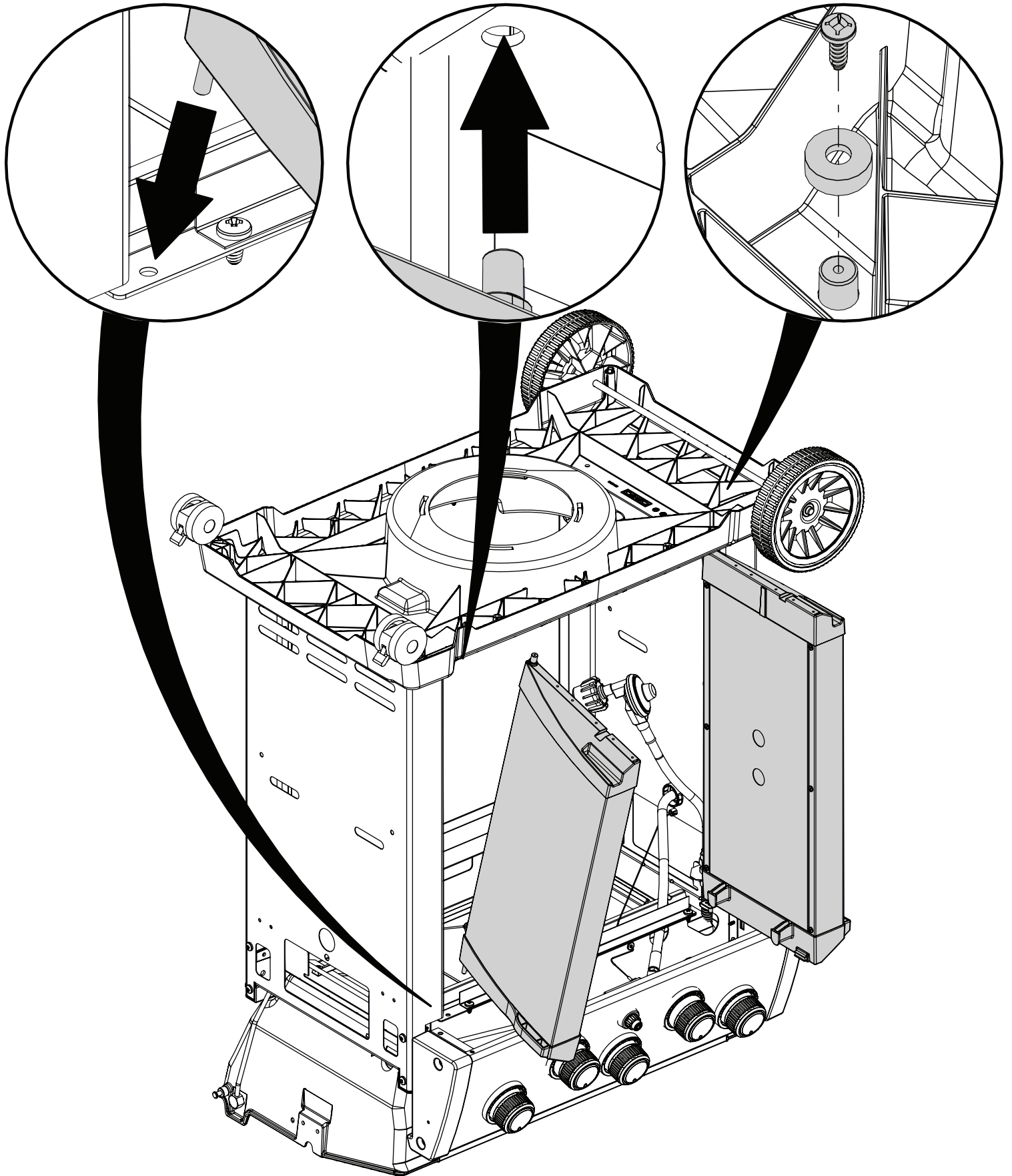
(6)

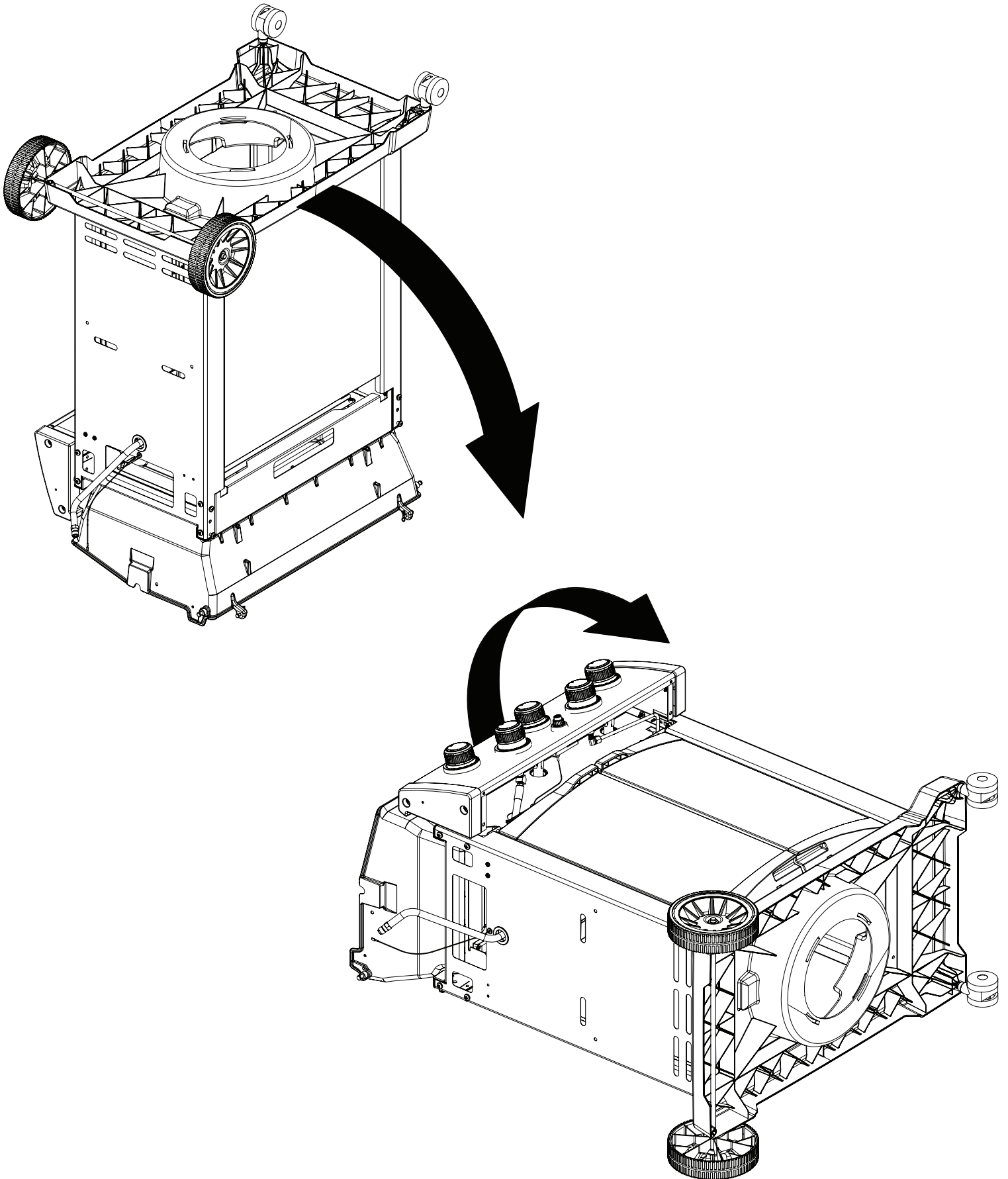


10

(2) 

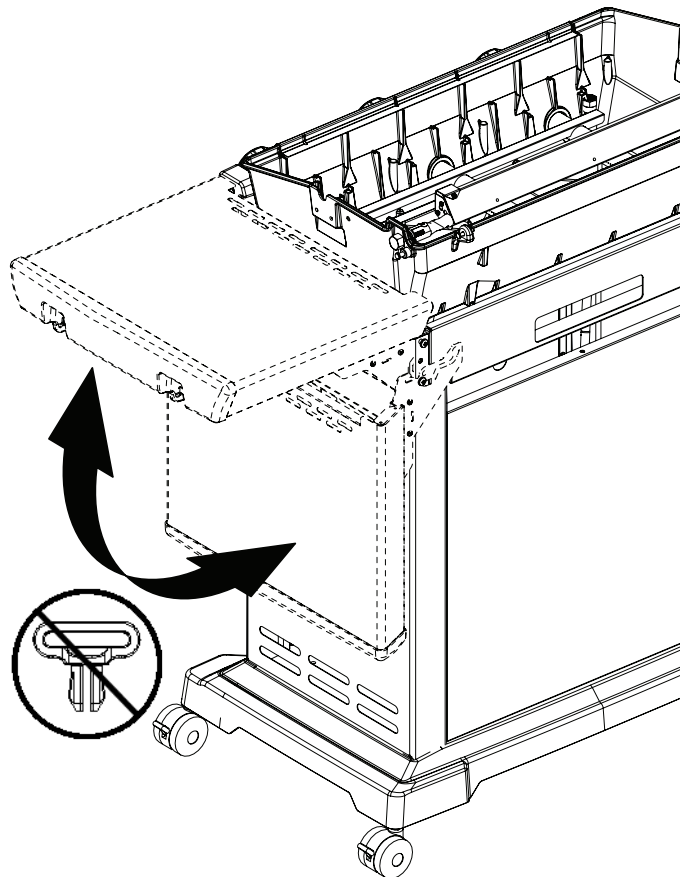
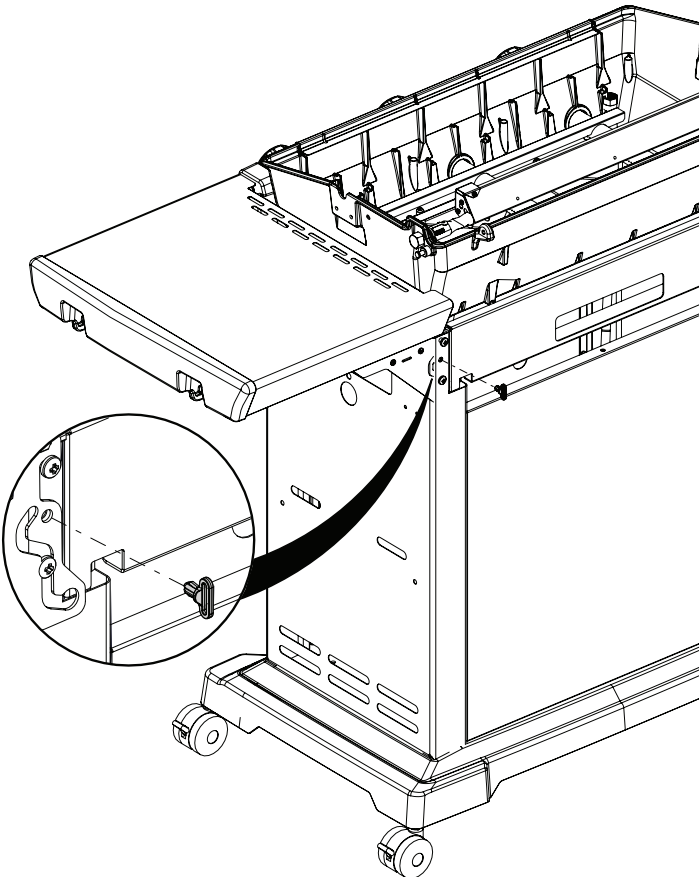
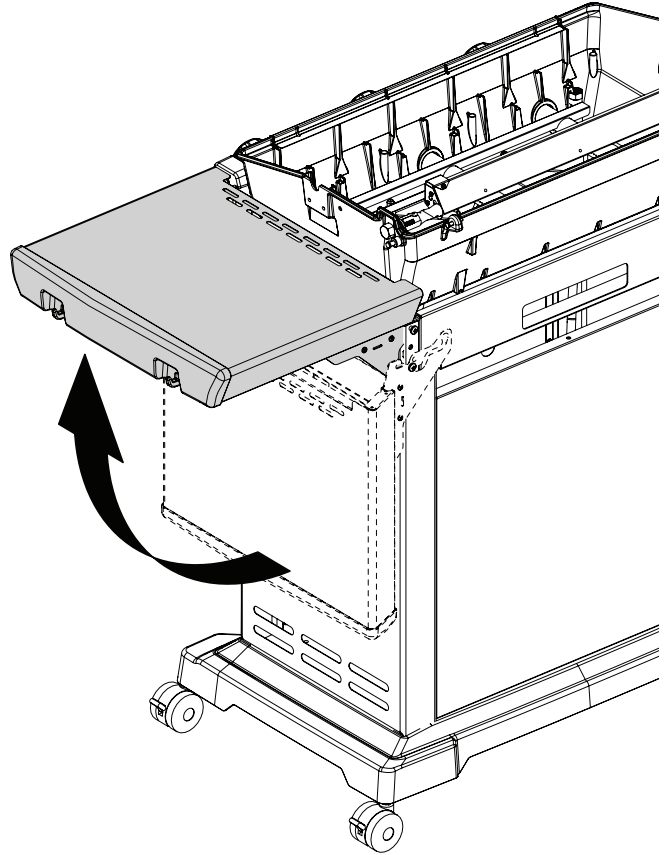
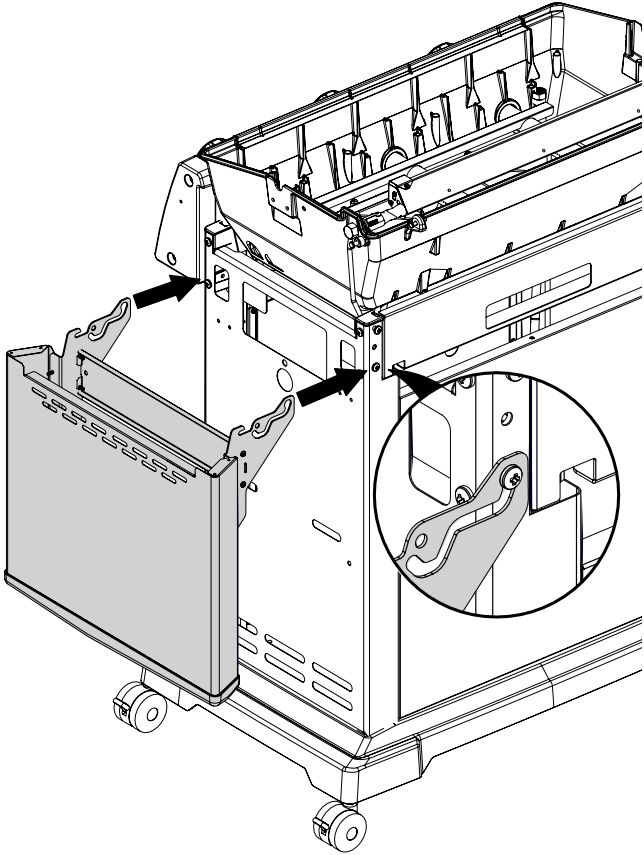
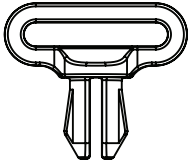
(2) 





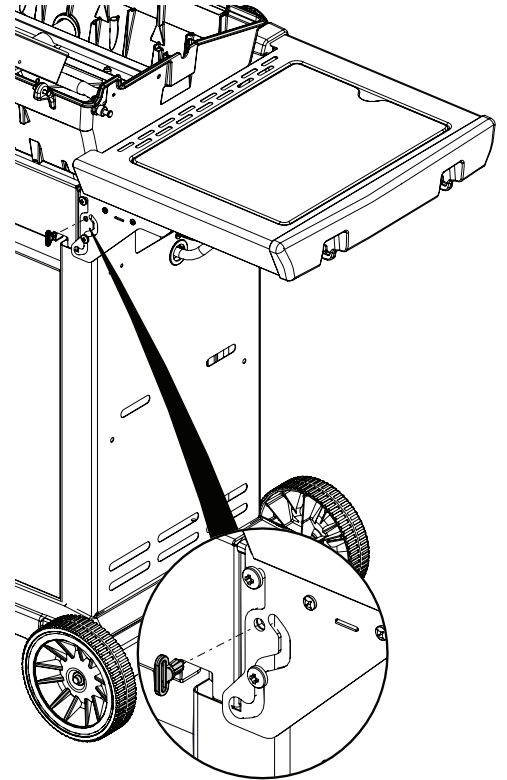
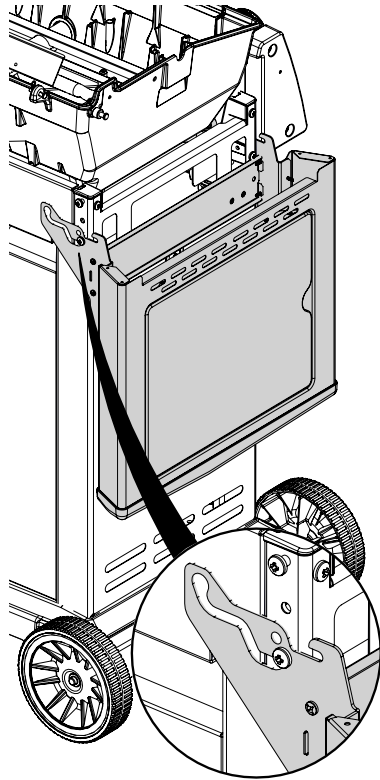
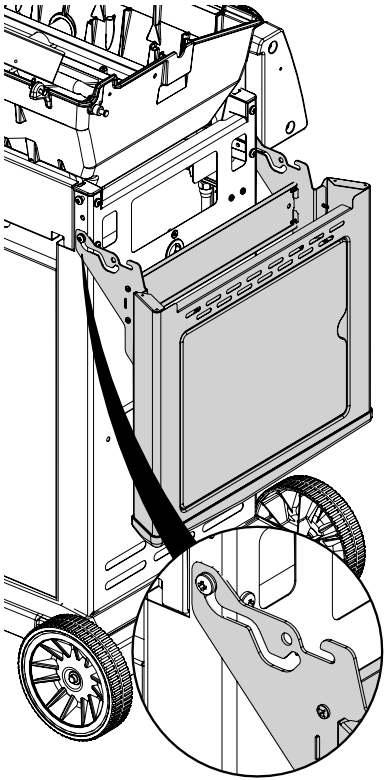
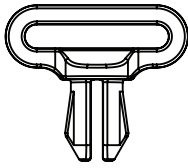
12

(1)



13

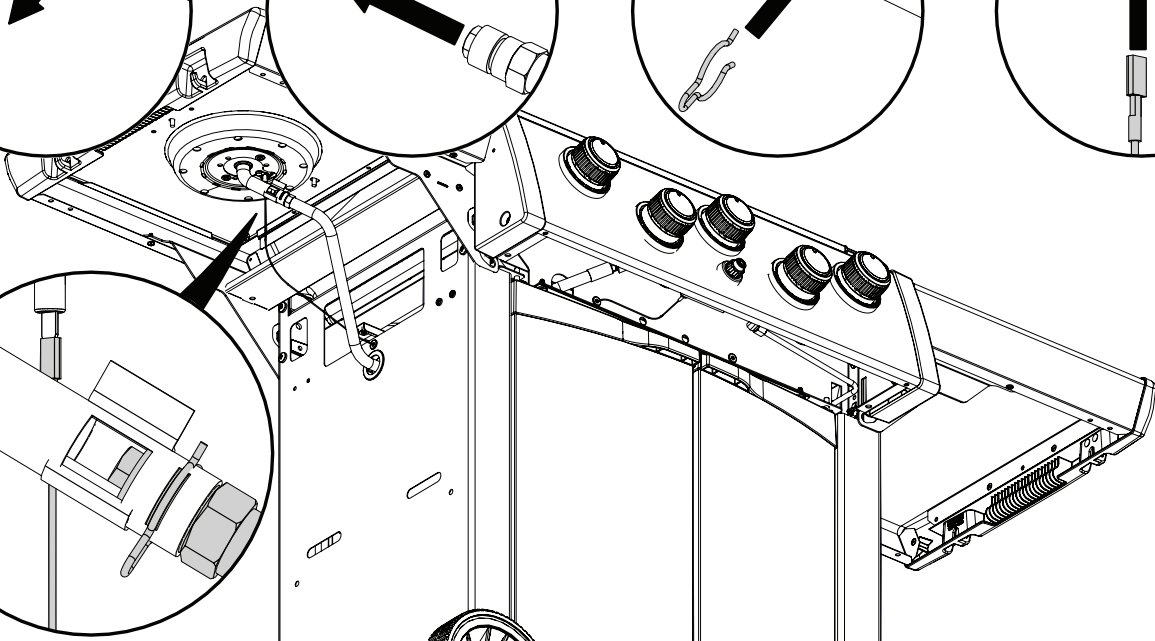
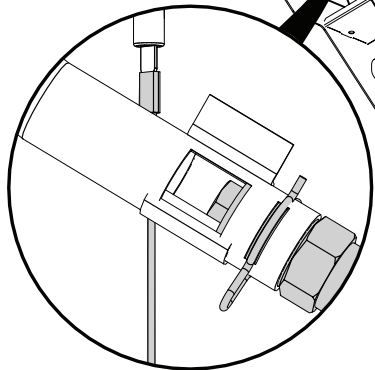
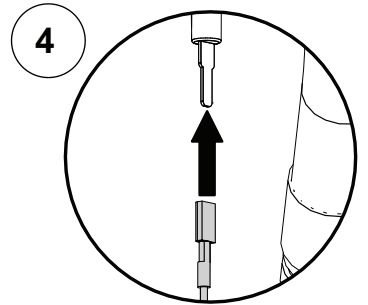
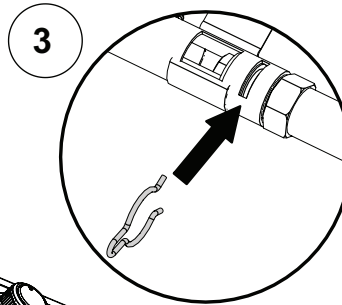
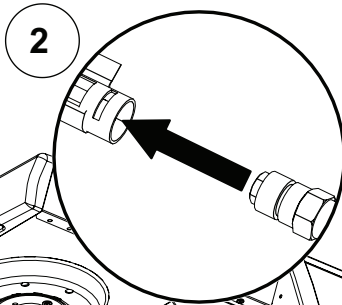
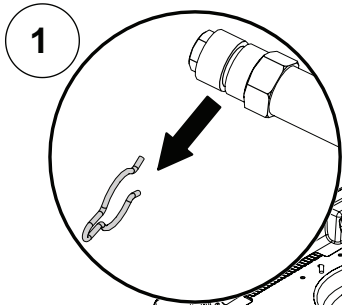
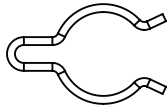
(1)



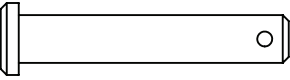
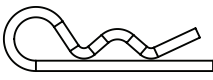
14

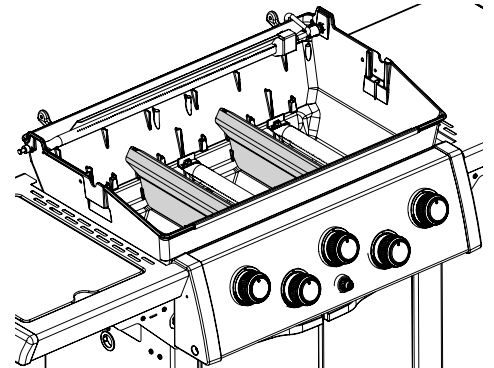
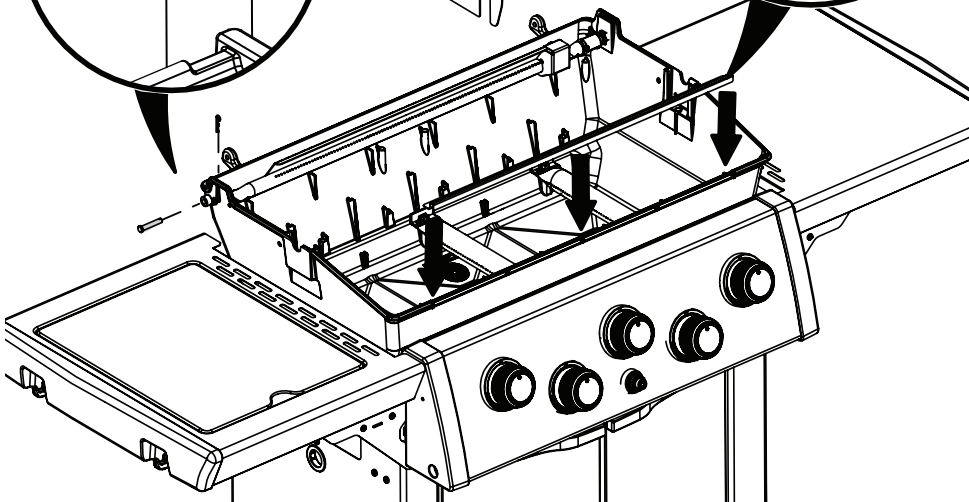
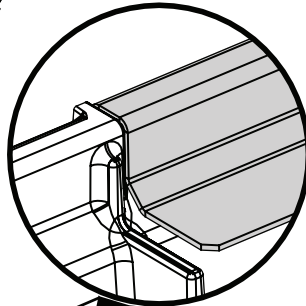
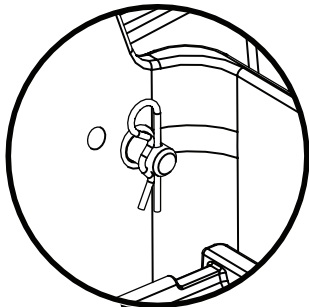
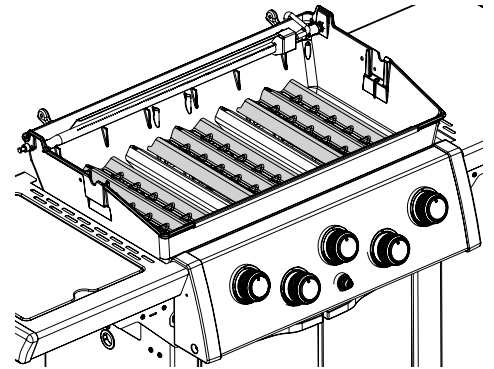
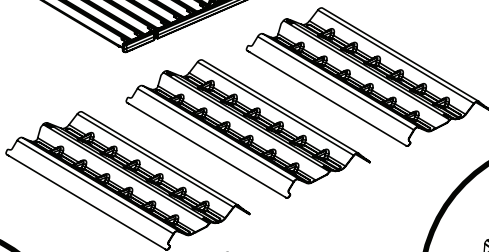
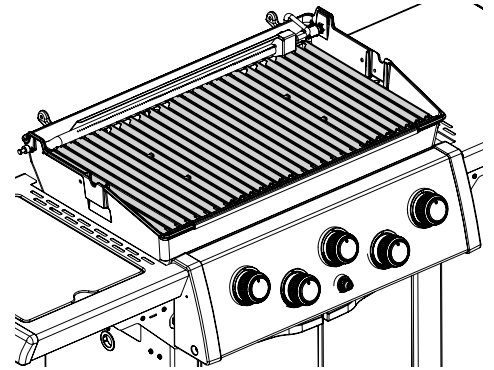
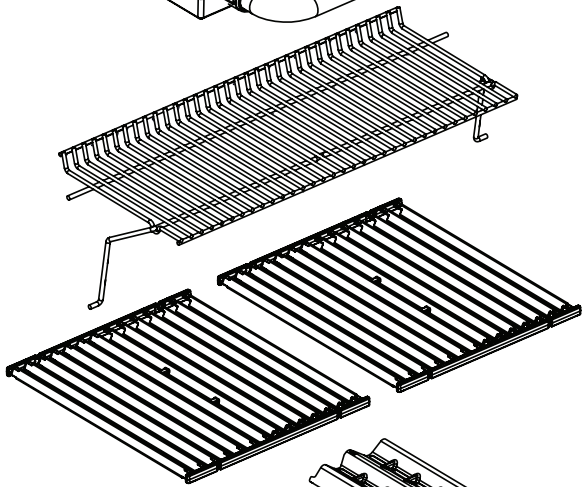
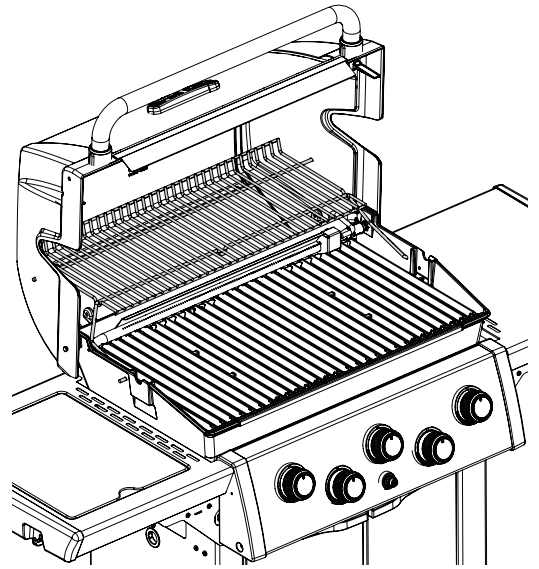
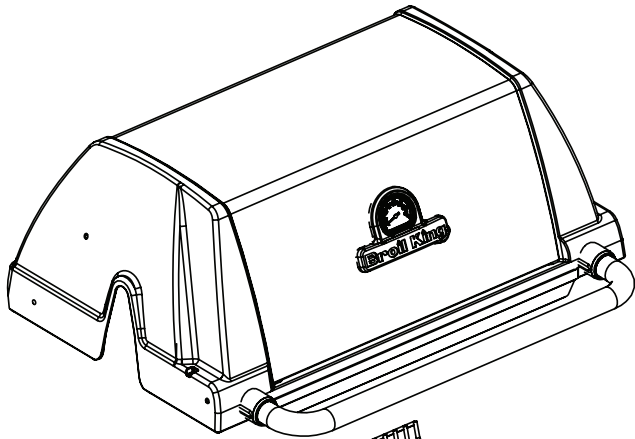


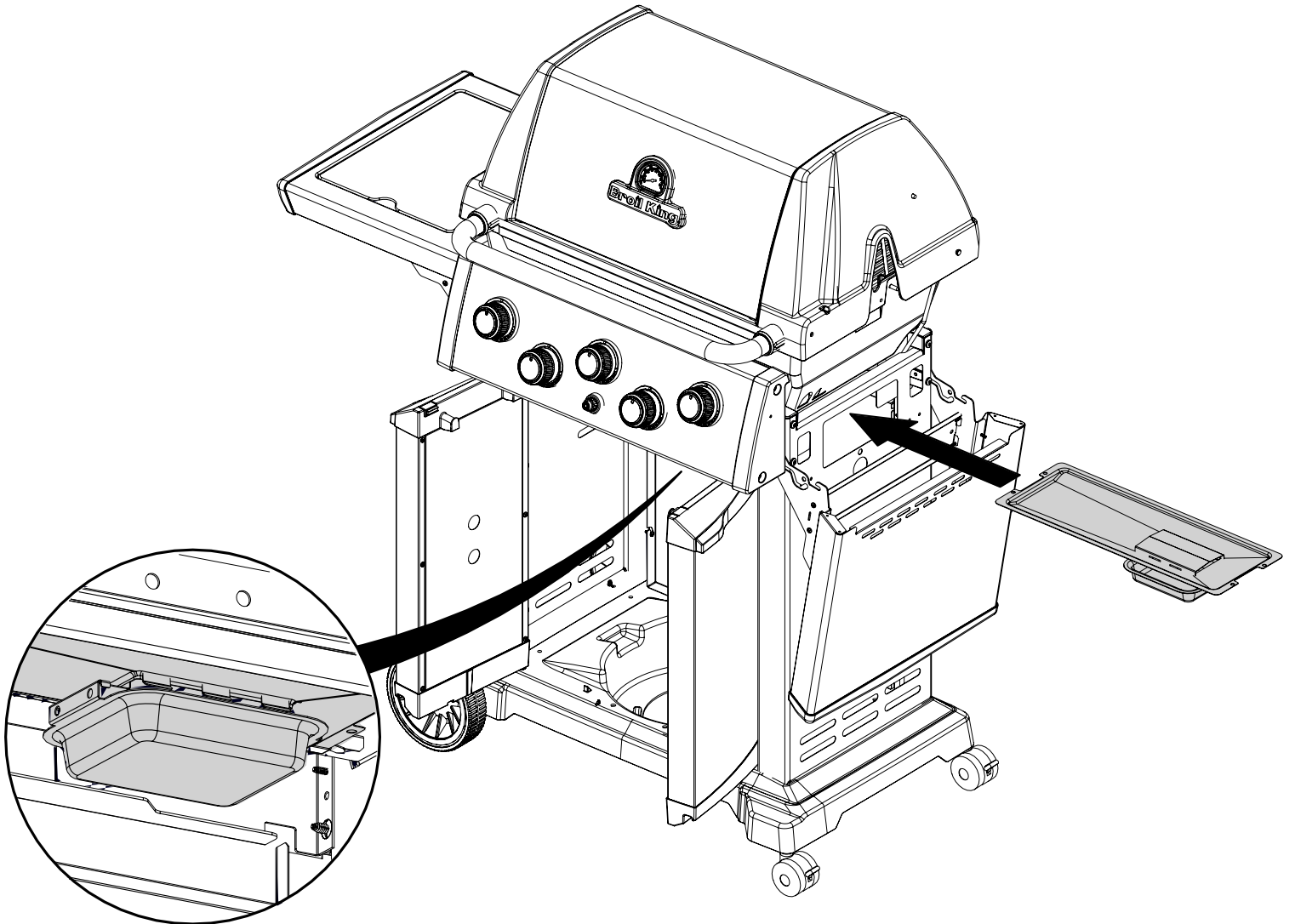
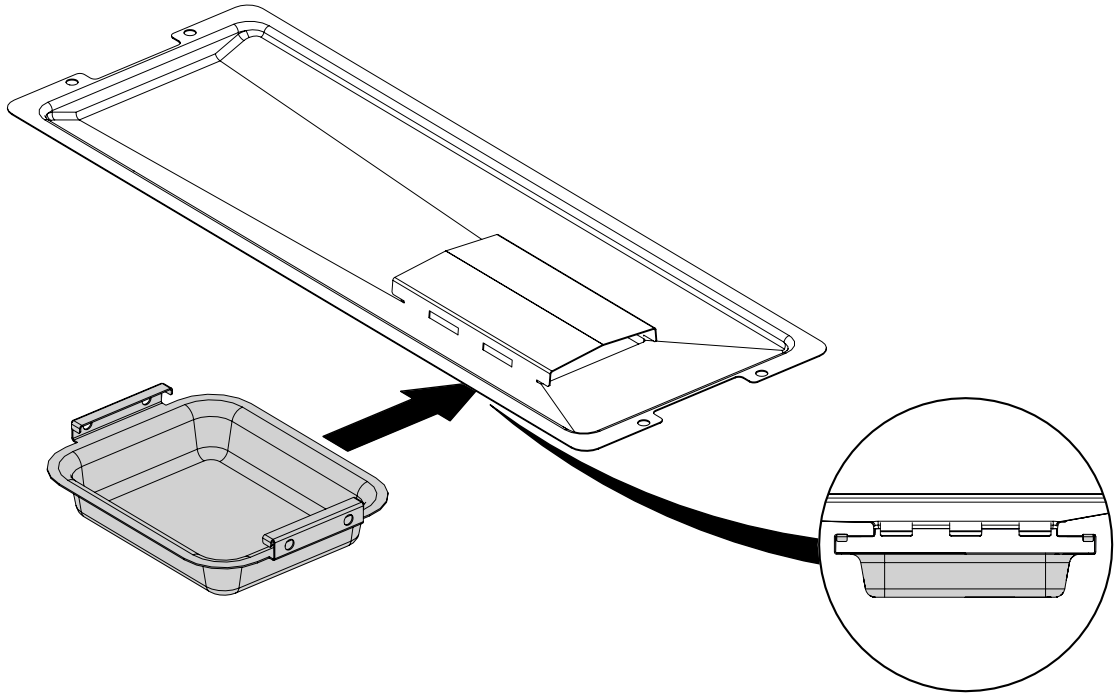
(1)

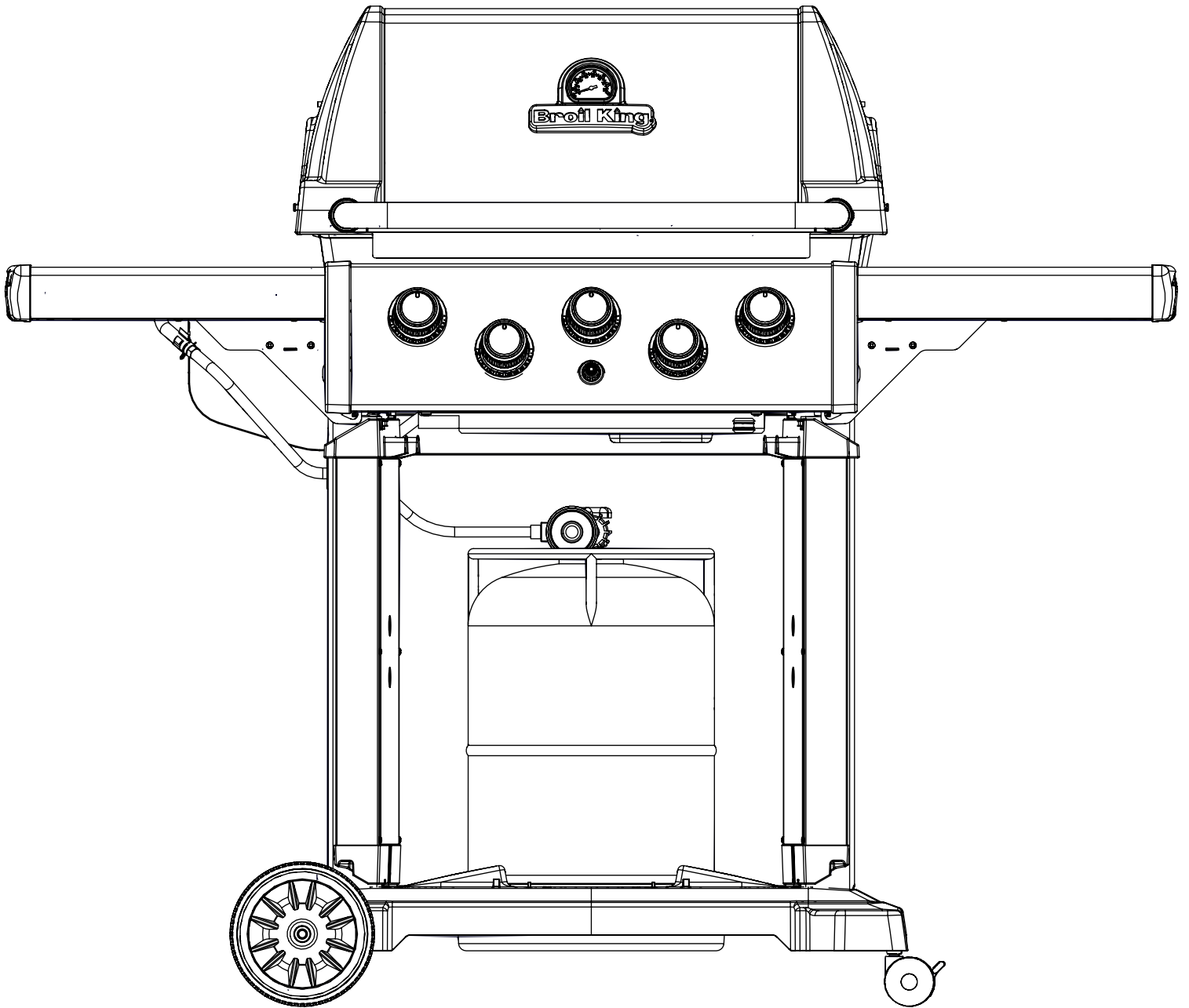


15

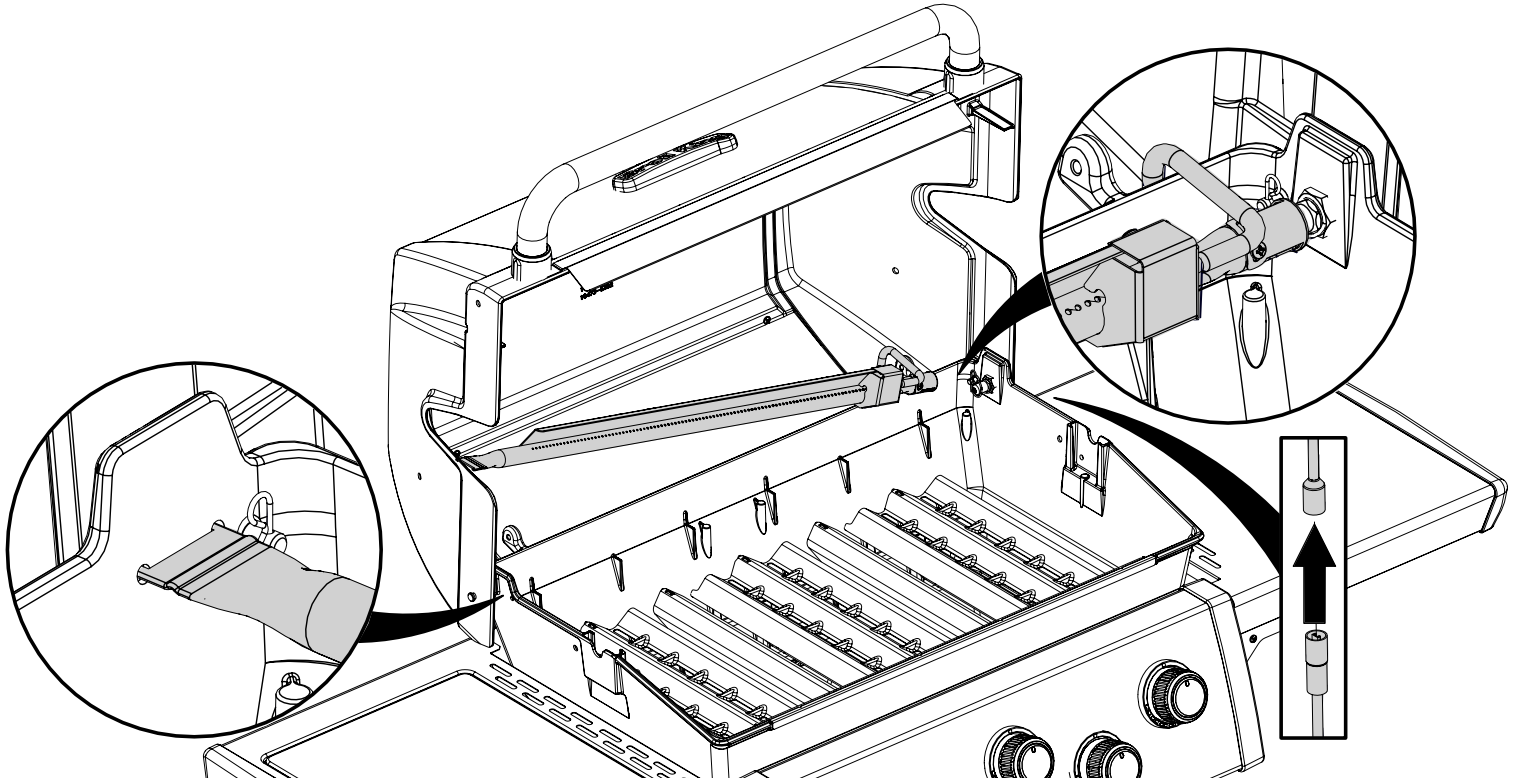
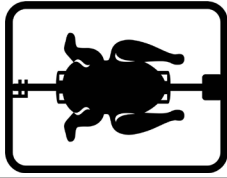
- (2) 
- (2) 



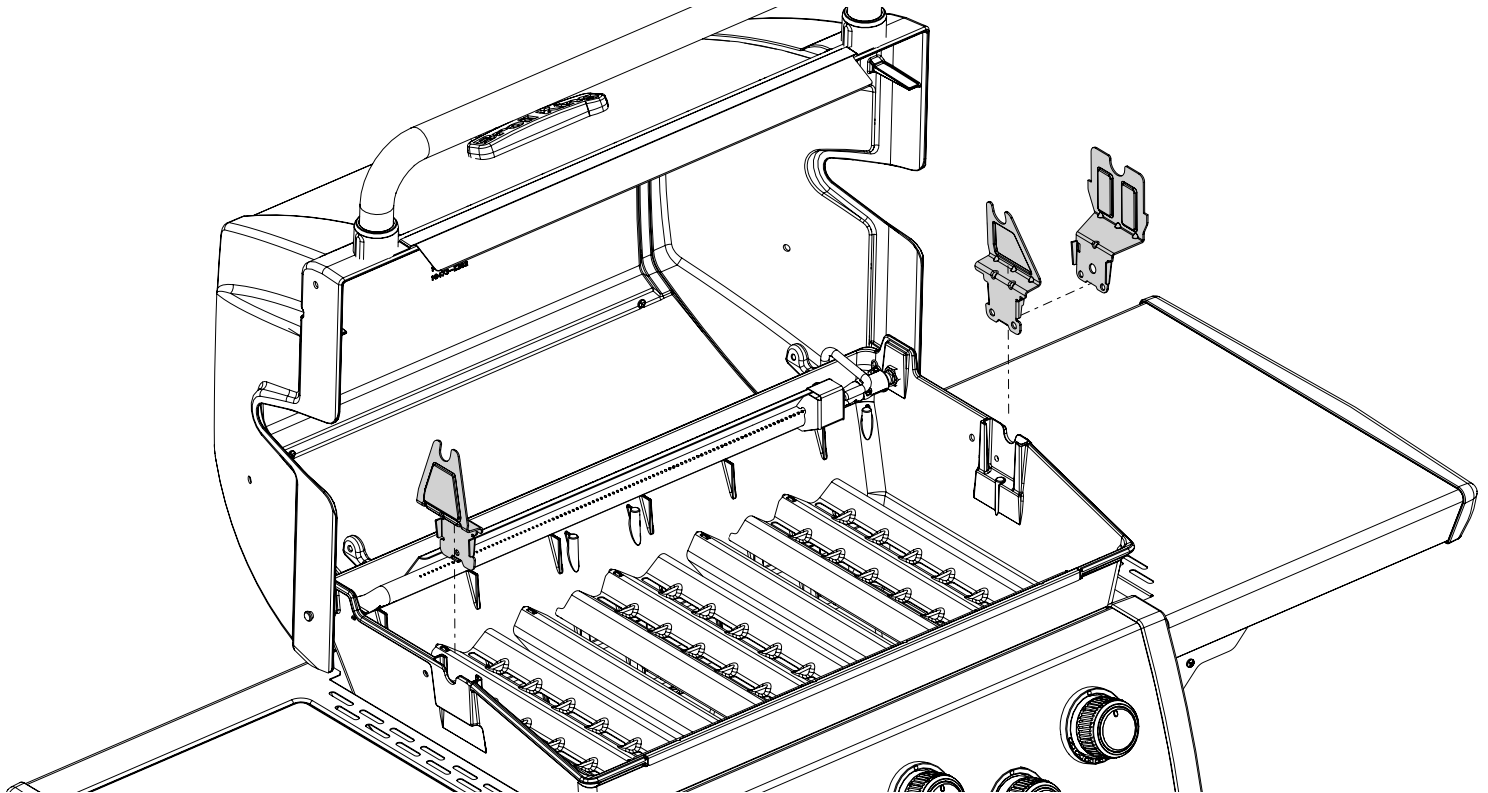




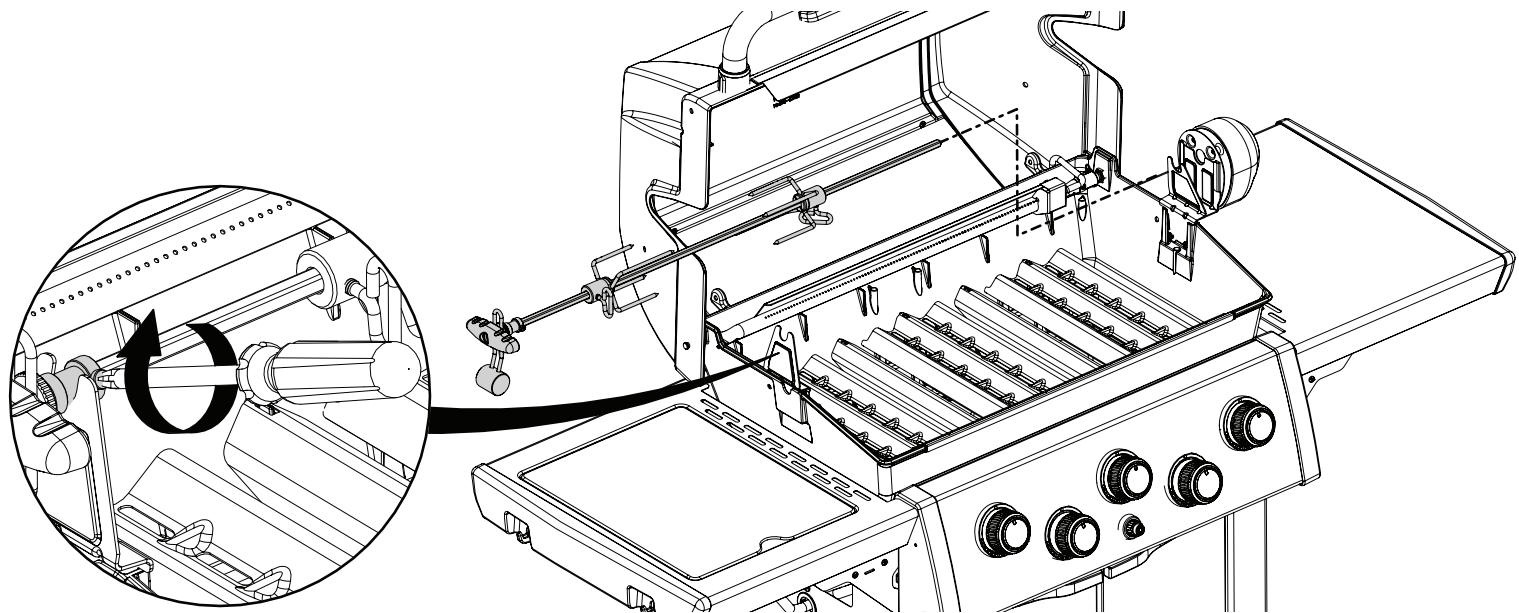
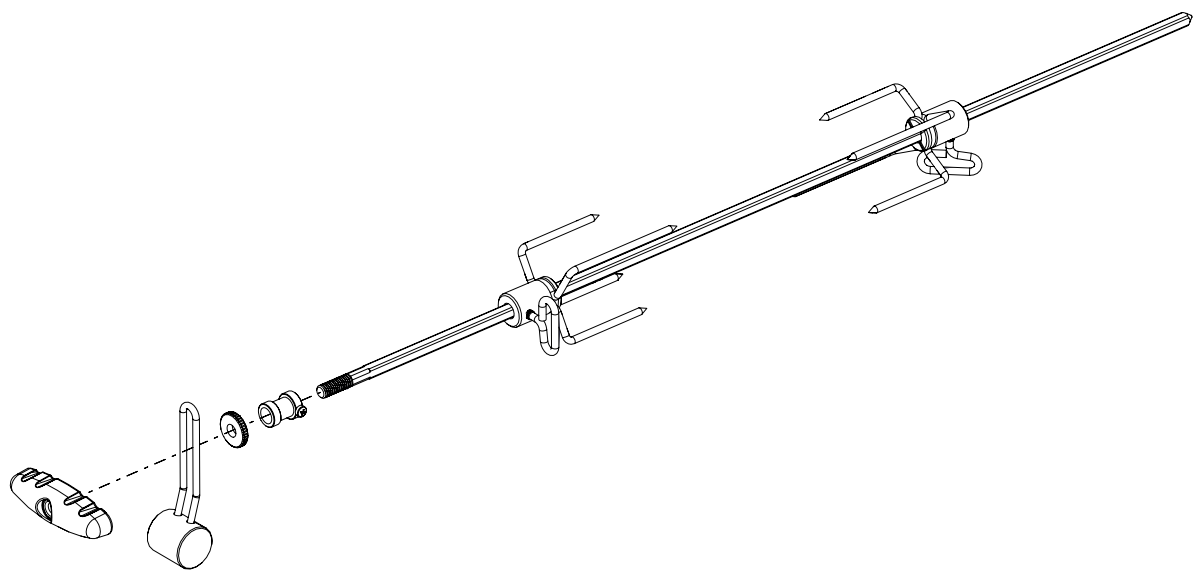
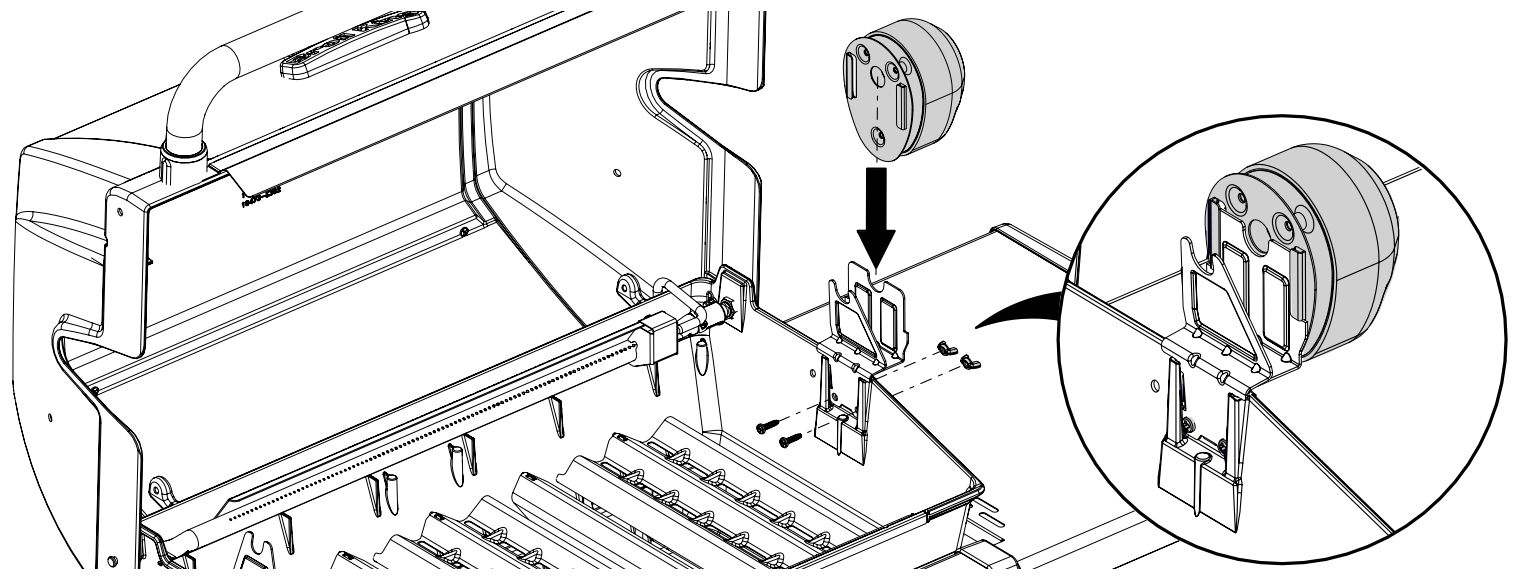
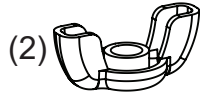
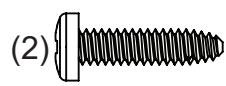
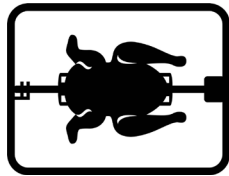
18



19



20



PARTS LIST

KEY #	ITEM #	DESCRIPTION	9464-52	9464-53	9464-82	9464-83	9468-52	9468-53	9468-62	9468-63	9468-82	9468-83
81	Y-12860	SCREW 1/4-20 X 1 3/8	4	4	4	4	4	4	4	4	4	4
82	Y-12673	SHELF - LOCK PIN	2	2	2	2	2	2	2	2	2	2
84	S15170	AXLE	1	1	1	1	1	1	1	1	1	1
85	Y-12865	SCREW 1/4-20 X 1/2	8	8	8	8	8	8	8	8	8	8
86	Y-11545	SCREW 1/4-20 X 1 3/8	4	4	4	4	4	4	4	4	4	4
87	Y-11793	NUT 1/4-20	6	6	6	6	6	6	6	6	6	6
88	10184-E124	HEAT SHIELD	1	1	1	1	1	1	1	1	1	1
96	S21125	SCREW 8 X 1/2	16	16	16	16	16	16	16	16	16	16
98	S21124	SCREW – 8 X 1/2	37	37	39	39	37	37	38	38	39	39
98A	Y-12643	SCREW 8 X 1/2	12	12	12	12	12	12	12	12	12	12
99	Y-12646	SCREW – 8 X 1/2	•	•	2	2	•	•	2	2	2	2
104	Y-12835	SCREW – 6-32 X 1/4	•	•	4	4	•	•	2	2	4	4
105	Y-12853	WASHER	•	•	2	2	•	•	2	2	2	2
110	23009-951	GRID	•	•	1	1	•	•	1	1	1	1
111	10390-E10D	SIDE BURNER	•	•	1	•	•	•	1	•	1	•
	10390-E10E	SIDE BURNER	•	•	•	1	•	•	•	1	•	1
113	10342-T16	ELECTRODE – SB	•	•	1	1	•	•	1	1	1	1
114	23000-251	COVER-SIDE BURNER - BLACK	•	•	1	1	•	•	•	•	•	•
	23000-253	COVER-SIDE BURNER - SS	•	•	•	•	•	•	1	1	1	1
115	Y-29304	SCREW 10-24 X 3/8	2	2	2	2	2	2	2	2	2	2
117	23000-271	SHELF-SIDE BURNER	•	•	1	1	•	•	1	1	1	1
122	57154-901	GREASE TRAY	1	1	1	1	1	1	1	1	1	1
123	52009-901	GREASE PAN	1	1	1	1	1	1	1	1	1	1
124	52049-91	SHIELD - GREASE TRAY	1	1	1	1	1	1	1	1	1	1
135	Y-12119	3/8 HEYCO BUSHING	2	2	3	3	2	2	3	3	3	3
136	11184-E341	ROTISSERIE SHIELD	1	1	1	1	1	1	1	1	1	1
137	10184-E421	ROTISSERIE BRACKET	1	1	1	1	1	1	1	1	1	1
138	11184-E331	ROTISSERIE SHIELD	1	1	1	1	1	1	1	1	1	1
139	S21061	WING NUT	2	2	2	2	2	2	2	2	2	2
140	Y-29306	BOLT - 10-24 x 3/4	2	2	2	2	2	2	2	2	2	2
141	S15271	HANDLE	•	•	1	1	•	•	•	•	1	1
142	S15270	BALANCER	•	•	1	1	•	•	•	•	1	1
143	S15263	BUSHING	•	•	1	1	•	•	•	•	1	1
144	Y-12220	BUSHING	•	•	1	1	•	•	1	1	1	1
145	S15257	SPIT ROD	•	•	1	1	•	•	•	•	1	1
147	S15299	WASHER	•	•	1	1	•	•	•	•	1	1
148	S15287	4 PRONG FORKS	•	•	2	2	•	•	•	•	2	2
155	Y-12124	DOOR PIN CAP	2	2	2	2	2	2	2	2	2	2
156	Y-12310	SCREW 1/4-20 X 3/4	2	2	2	2	2	2	2	2	2	2
166	Y-12117	BUSHING	•	•	2	2	•	•	2	2	2	2

