

# OWNER'S MANUAL | MANUEL DE L'UTILISATEUR MANUAL DEL PROPIETARIO | HANDBUCH | MANUALE DELL'UTENTE



ULTIMATE GRIDDLE  
SERIES

# PIT BOSS®

MODEL / MODÈLE / MODELO / MODELL / MODELLO :  
PB2BGD2, PB3BGD2, PB4BGD2, PB5BGD2

PART / PIÈCE / PARTE / TEIL / PARTE :  
10807, 10808, 10809, 10810, 10811, 10812,  
10813, 10814, 10815, 10816, 10817, 10808



## GRIDDLE WITH LIFT-OFF TOP, GRIDDLE WITH CABINET

IMPORTANT, READ CAREFULLY, RETAIN FOR FUTURE REFERENCE. MANUAL MUST BE READ BEFORE OPERATING!

## PLAQUE CHAUFFANTE AVEC PLATEAU RELEVABLE, PLAQUE CHAUFFANTE AVEC ARMOIRE

IMPORTANT, PRENEZ CONNAISSANCE DE CE DOCUMENT ET CONSERVEZ-LE POUR RÉFÉRENCE ULTÉRIEURE. VOUS DEVEZ LIRE CE GUIDE AVANT D'UTILISER LE GRIDDLE!

## PLANCHA CON TAPA ABATIBLE, PLANCHA CON MUEBLE

IMPORTANTE, LEER DETENIDAMENTE, CONSERVAR PARA REFERENCIA FUTURA. LEA EL MANUAL ANTES DEL USO!

## PFANNENGRILL MIT ABNEHMBAREM OBERTEIL, PFANNENGRILL MIT SCHRANK

WICHTIG: AUFMERKSAM LESEN UND GUT AUFBEWAHREN BITTE UNBEDINGT VOR GEBRAUCH DIE BEDIENUNGSANLEITUNG SORGFÄLTIG DURCHLESEN!

## PIASTRA CON PIANO SOLLEVABILE, PIASTRA CON ARMADIO

IMPORTANTE: LEGGERE ATTENTAMENTE E CONSERVARE PER RIFERIMENTO FUTURO. LEGGERE IL MANUALE PRIMA DELL'USO.

For outdoor and household use only. Not for commercial use.  
Réserve à l'usage extérieur et résidentiel uniquement. Non destiné à un usage commercial.  
Solo para uso doméstico y en el exterior. No apto para uso comercial.  
Nur zur Verwendung im Außenbereich und für den privaten Gebrauch. Nicht zur gewerblichen Nutzung geeignet.  
Solo per uso domestico ed esterno. Non per uso commerciale.

**WARNING:** PLEASE READ THE ENTIRE MANUAL BEFORE INSTALLATION AND USE OF THIS GAS APPLIANCE. FAILURE TO FOLLOW THESE INSTRUCTIONS COULD RESULT IN PROPERTY DAMAGE, BODILY INJURY OR EVEN DEATH. CONTACT LOCAL BUILDING OR FIRE OFFICIALS ABOUT RESTRICTIONS AND INSTALLATION INSPECTION REQUIREMENTS IN YOUR AREA.

**AVERTISSEMENT :** VEUILLEZ LIRE L'INTÉGRALITÉ DU MANUEL AVANT INSTALLATION ET UTILISATION DE CET APPAREIL À GAZ. LE NON-RESPECT DE CES INSTRUCTIONS PEUT ENTRAÎNER DES DOMMAGES MATÉRIELS, DES DOMMAGES CORPORELS OU MÊME LA MORT. CONTACTEZ LES AUTORITÉS LOCALES COMPÉTENTES CONCERNANT LES RESTRICTIONS ET LES EXIGENCES D'INSPECTION EN VIGUEUR DANS VOTRE RÉGION.

**ADVERTENCIA:** LEA TODO EL MANUAL ANTES DE MONTAR Y USAR ESTA BARBACOA DE GAS. SI NO SE SIGUEN ESTAS INSTRUCCIONES, PUEDEN PRODUCIRSE DAÑOS MATERIALES, LESIONES CORPORALES O INCLUSO LA MUERTE. PÓNGASE EN CONTACTO CON LOS ADMINISTRADORES DEL EDIFICIO O CON LOS BOMBEROS PARA CONSULTAR LAS RESTRICCIONES Y LOS REQUISITOS DE INSPECCIÓN DE LAS INSTALACIONES DE SU ZONA.

**ACHTUNG:** BITTE LESEN SIE DIE GESAMTE ANLEITUNG SORGFÄLTIG DURCH, BEVOR SIE DIESES GASGERÄT AUFSTELLEN UND BENUTZEN. DIE NICHTBEACHTUNG DIESER ANWEISUNGEN KANN ZU SACHSCHÄDEN, VERLETZUNGEN ODER SOGAR ZUM TOD FÜHREN. FÜR EINSCHRÄNKUNGEN SOWIE MONTAGE- UND KONTROLLAUFLAGEN IN IHRER REGION WENDEN SIE SICH AN DIE GEBÄUDE- ODER BRANDBEAUFTRAGTEN VOR ORT.

**AVVERTENZA:** LEGGERE L'INTERO MANUALE PRIMA DELL'INSTALLAZIONE E DELL'USO DI QUESTA APPARECCHIATURA A GAS. LA MANCATA OSSERVANZA DELLE ISTRUZIONI PUÒ CAUSARE DANNI ALLA PROPRIETÀ, LESIONI FISICHE O MORTE. CONTATTARE LE AUTORITÀ LOCALI COMPETENTI PER L'EDILIZIA O I VIGILI DEL FUOCO PER INFORMAZIONI SULLE RESTRIZIONI E SUI REQUISITI DI ISPEZIONE DEGLI IMPIANTI NELLA PROPRIA ZONA.



PB2BGD2



PB3BGD2



PB4BGD2



PB5BGD2



## SAFETY INFORMATION

**MAJOR CAUSES OF APPLIANCE FIRES ARE A RESULT OF POOR MAINTENANCE AND A FAILURE TO MAINTAIN REQUIRED CLEARANCE TO COMBUSTIBLE MATERIALS. IT IS OF UTMOST IMPORTANCE THAT THIS PRODUCT BE USED ONLY IN ACCORDANCE WITH THE FOLLOWING INSTRUCTIONS.**

Please read and understand this entire manual before attempting to assemble, operate or install the product. This will ensure you receive the most enjoyable and trouble-free operation of your new portable gas griddle. We also advise you retain this manual for future reference.

### PROPANE GAS WARNINGS

|   |  |
|---|--|
| <p><b>⚠ DANGER</b></p> <p><b>If you smell gas:</b></p> <ul style="list-style-type: none"> <li>• Shut off gas to the appliance.</li> <li>• Extinguish any open flame.</li> <li>• Open lid.</li> <li>• If odor continues, keep away from the appliance and immediately call your gas supplier or your fire department.</li> </ul> | <p><b>⚠ WARNING</b></p> <ul style="list-style-type: none"> <li>• Do not store or use gasoline or other flammable liquids or vapors in the vicinity of this or any other appliance.</li> <li>• An LP cylinder not connected for use shall not be stored in the vicinity of this or any other appliance.</li> <li>• To operate, you will need a precision-filled standard G30/G31 grill liquid propane ("LP") gas cylinder with external valve threads. The maximum diameter and the maximum height of the cylinder is 300 mm (11.8 in) and 600 mm (23.6 in).</li> </ul> |
|---|--|

1. Ensure the gas cylinder is purchased by a reputable supplier. An incorrectly filled or an overfilled LP gas cylinder can be dangerous. The overfilled condition combined with the warming of the LP gas cylinder (a hot summer day, gas cylinder left in the sun, etc.) can cause LP gas to be released since the temperature increase causes gas to expand. Gas released from the cylinder is flammable and can be explosive.
2. Do not use an LP gas cylinder if it has a damaged valve or shows signs of dents, gouges, bulges, fire damage, corrosion, leakage, excessive rust, or other forms of visual external damage; it may be hazardous and should be checked immediately by a liquid propane supplier.

**If you see, smell, or hear the hiss of gas escaping from the cylinder, do not attempt to light appliance. Extinguish any open flame. Disconnect from fuel supply.**

3. Do not connect or disconnect the gas cylinder while the unit is in use or is still hot. When griddle is not in use, ensure regulator knob is turned to OFF and disconnect the gas cylinder. Never move or transport the unit while the gas cylinder is attached. Do not store a spare LP gas cylinder under or near the appliance.
4. Cylinders must be stored outdoors out of reach of children and must not be stored in a building, garage, or any other enclosure area.

5. Do not obstruct the flow of combustion and ventilation air to this appliance. Keep the burner tube and portholes clean and free from debris. Clean before use. Regular care and maintenance is required to prolong the lifespan of your unit. Do not modify the appliance.
6. Always check for gas leaks when you connect and disconnect the regulator to the gas cylinder, especially after a period of storage (for example, over winter). Check all connections for leaks with a soapy water solution and brush. Never use an open flame to check for leaks.
7. Clean and inspect the gas regulator before each use of the outdoor cooking gas appliance. Replace the gas regulator prior to being used if there is evidence of excessive abrasion or wear.
8. Operate this appliance using liquefied petroleum only, which is also specified on the rating label on the unit. Do not attempt to operate your grill on other gases. Do not attempt to convert this LP unit to natural gas. Failure to follow this warning could lead to fire, bodily harm, and will void your warranty.
9. The location of the burner tube with respect to the orifice is vital for safe operation. Check to ensure the orifice is inside the burner tube before using the gas griddle. If the burner tube does not fit over the valve orifice, lighting the burner may cause explosion and/or fire.

## DANGERS AND WARNINGS

**You must contact your local home association, building or fire officials, or authority having jurisdiction, to obtain the necessary permits, mission or information on any installation restrictions, such as any griddle being installed on a combustible surface, inspection requirements or even ability to use, in your area.**

1. A minimum clearance of 1,270 mm (50 in.) from combustible constructions to the sides of the griddle, and 1,270 mm (50 in.) from the back of the griddle to combustible constructions must be maintained. **Do not install appliance on combustible floors, or floors protected with combustible surfaces unless proper permits and permissions are obtained by authorities having jurisdiction.** Do not use this appliance indoors, in an enclosed or unventilated area, inside homes, vehicles, tents, garages. This LP gas griddle appliance must not be placed under overhead combustible ceiling or overhang. Keep your griddle in an area clear and free from combustible materials, gasoline and other flammable vapors and liquids.

**Should a grease fire occur, turn the griddle OFF until the fire is out. Do not throw water on. Do not try to smother the fire. Use of an all-class (class ABC) approved fire extinguisher is valuable to keep on site. If an uncontrolled fire does occur, call the Fire Department.**

2. This outdoor grill is not intended for installation in/on recreation vehicles or boats.

**Never use this appliance in an enclosed space, such as a camper, tent, car, boat or home. This appliance is not intended for and should never be used as a heater.**

3. This appliance is not recommended for children, persons with reduced physical, sensory or mental capabilities, or lack of experience and knowledge, unless they are under direct supervision or instruction by a person responsible for their safety.
4. Parts of the barbecue may be very hot, and serious injury may occur. Keep young children and pets away while in use. Do not touch hot surfaces. Use heat-resistant gloves, long-handled tongs, or cooking mitts at all times, since the grill will become very hot. Do not move the appliance during use.
5. Never use the grill without the grease cup installed and hung under the firebox. Without the grease cup, hot grease and debris could leak downward and produce a fire hazard.

## CARBON MONOXIDE ("THE SILENT KILLER")

Always use a gas appliance outdoors in an open area with good ventilation to avoid breathing toxic fumes from combustion or leaking gas. Carbon monoxide is a colorless, odorless, tasteless gas produced by burning gas, wood, propane, charcoal or other fuel. Carbon monoxide reduces the blood's ability to carry oxygen. Low blood oxygen levels can result in headaches, dizziness, weakness, nausea, vomiting, sleepiness, confusion, loss of consciousness or death. Follow these guidelines to prevent this colorless, odorless gas from poisoning you, your family, or others:

- See a doctor if you or others develop cold or flu-like symptoms while cooking or in the vicinity of the appliance. Carbon monoxide poisoning, which can easily be mistaken for a cold or flu, is often detected too late.
- Alcohol consumption and drug use increase the effects of carbon monoxide poisoning.

Carbon monoxide is especially toxic to mother and child during pregnancy, infants, the elderly, griddles, and people with blood or circulatory system problems, such as anemia, or heart disease.

## SAFETY LISTING

In accordance with the procedures and specifications by Conformité Européenne (CE), Pit Boss® Grills gas appliances demonstrates compliance through testing to the standards and directives that comply with all safety, health and environmental protection requirements by the EU (European Union) and the European Economic Area (EEA).



|                | HEAT INPUT                                   | NUMBER OF BURNERS |          |                 |               |   | COUNTRY OF USE   |
|----------------|--|-------------------|----------|-----------------|---------------|---|--|
|                |  | STRAIGHT BURNER   | P BURNER | TYPE OF BURNER  | INJECTOR SIZE | GAS/PRESSURE  |  |
| <b>PB2BGD2</b> | 7.63 KW<br>G30 – 555 g/h<br>G31 – 545 g/h    | 1                 | 1        | STRAIGHT BURNER | 0.8 mm        | G30 at 28-30 mbar<br>G31 at 37 mbar<br>G30/G31 mixture at 30 mbar | <b>I3+ (28-30/37) :</b><br>BE, CH, CY, CZ, ES, FR, GB, GR, IE, IT, LT, LU, LV, PT, SK, SI<br><br><b>I3B/P (30) :</b><br>BE, CY, DK, EE, FR, GB, HU, IT, LT, NL, NO, SE, SI, SK, RO, HR, TR, BG, IS, LU, MT, FI<br><br><b>I3B/P (37) :</b><br>PL<br><br><b>I3B/P (50) :</b><br>AT, DE, SK, CH |
| <b>PB3BGD2</b> | 10.5 KW<br>G30 – 768 g/h<br>G31 – 755 g/h    | 2                 | 1        |                 | 0.75 mm       | G30/G31 mixture at 37 mbar  |  |
|                |  |                   |          |                 | 0.72 mm       | G30/G31 mixture at 50 mbar  |  |
| <b>PB4BGD2</b> | 13.49 KW<br>G30 – 982 g/h<br>G31 – 964 g/h   | 3                 | 1        | P BURNER        | 1.02 mm       | G30 at 28-30 mbar<br>G31 at 37 mbar<br>G30/G31 mixture at 30 mbar |  |
|                |  |                   |          |                 | 0.97 mm       | G30/G31 mixture at 37 mbar  |  |
|                |  |                   |          |                 | 0.93 mm       | G30/G31 mixture at 50 mbar  |  |
| <b>PB5BGD2</b> | 14.65 KW<br>G30 – 1066 g/h<br>G31 – 1047 g/h | 5                 | 0        |                 |               |   |  |



**COPYRIGHT NOTICE**

Copyright 2021. All right reserved. No part of this manual may be copied, transmitted, transcribed, stored in a retrieval system, in any form or by any means without expressed written permission of,

**DANSONS EUROPE**

11 Rue Galvani Paris, France 75017

**DANSONS NORTH AMERICA**

3411 North 5th Avenue, Suite 500, Phoenix, Az, USA 85013

**CUSTOMER CARE**

[www.pitboss-grills.com](http://www.pitboss-grills.com)

**TABLE OF CONTENTS**

- Safety Information ..... 2
- Connecting To A Gas Supply
  - Gas Cylinder Requirements.....6
  - Installing A Gas Connector To The Manifold.....6
  - Connecting A Gas Cylinder.....7
  - Preparation For Use – Leak Testing .....8
  - Disconnecting A Gas Cylinder.....8
- Operating Instructions
  - Griddle Environment.....9
  - First Use – Griddle Burn-Off.....10
  - Lighting Procedure .....10
  - Manual Lighting Procedure .....11
  - Shutting Off Your Griddle .....11
- Lifting The Griddle Off The Cart..... 12
- Using The Trash Bag Holder ..... 13
- Care and Maintenance ..... 14
- Tips & Techniques ..... 15
- Troubleshooting ..... 16
- Replacement Parts.....17
- Warranty ..... 21

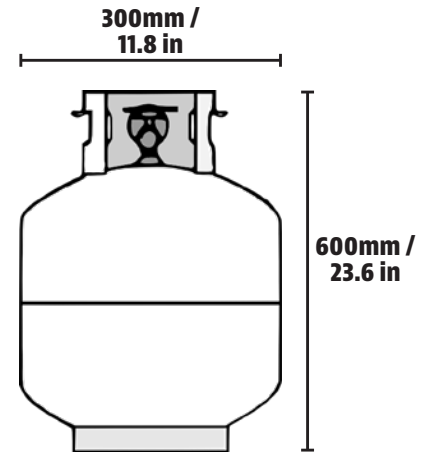
# CONNECTING TO A GAS SUPPLY

## GAS CYLINDER REQUIREMENTS

To operate, you will need a precision-filled standard G30/G31 grill liquid propane ("LP") gas cylinder with external valve threads. Use standard flexible tube with length less than 1.5 m (59 in). The tube shall be readily visible across its entire length for inspection after installation.

The maximum diameter and the maximum height of the cylinder is 300 mm (11.8 in) and 600 mm (23.6 in) as shown in illustration.

**CAUTION: You must have the proper regulator which relevant standard is EN16129 and bottle in order for the barbecue to operate safely and efficiently. Use of an incorrect or faulty regulator is dangerous and will invalidate any warranty. It is important to inspect the full length of the tube. If it is evident there is excessive abrasion or wear, or the tube is cut, the tube must be replaced prior to the appliance being used.**



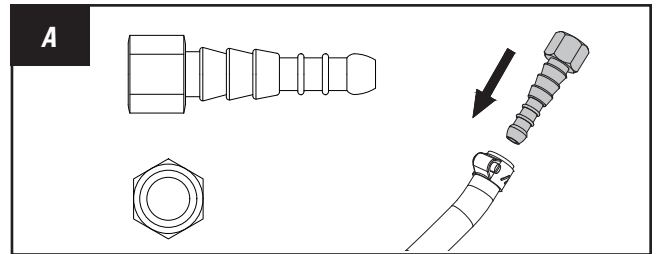
## INSTALLING A GAS CONNECTOR TO THE MANIFOLD

Based on location and country of purchase, not all distributors sell the griddle with a regulator included. A Manifold Transition Kit is provided should a gas regulator not come pre-assembled. Select the connector from the supplied Manifold Transition Kit that is required for your gas manifold and regulator tubing. To ease installation of the gas connector, lift-off or disconnect the griddle from the cart. Place upside-down on a piece of cardboard to prevent scratches or damage.

- **CONNECTOR A - TAPERED**

Insert the tapered end of the Connector into your regulator tubing, then lock tight using a hose clamp.

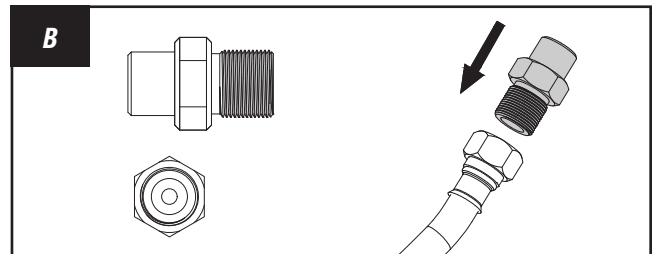
Note illustration A.



- **CONNECTOR B - THREADED**

Insert the threaded male Connector into the regulator tube female end. Rotate to tighten completely.

Note illustration B.



Continue to next step for gas cylinder installation. Keep the griddle removed from the cart.

## CONNECTING A GAS CYLINDER

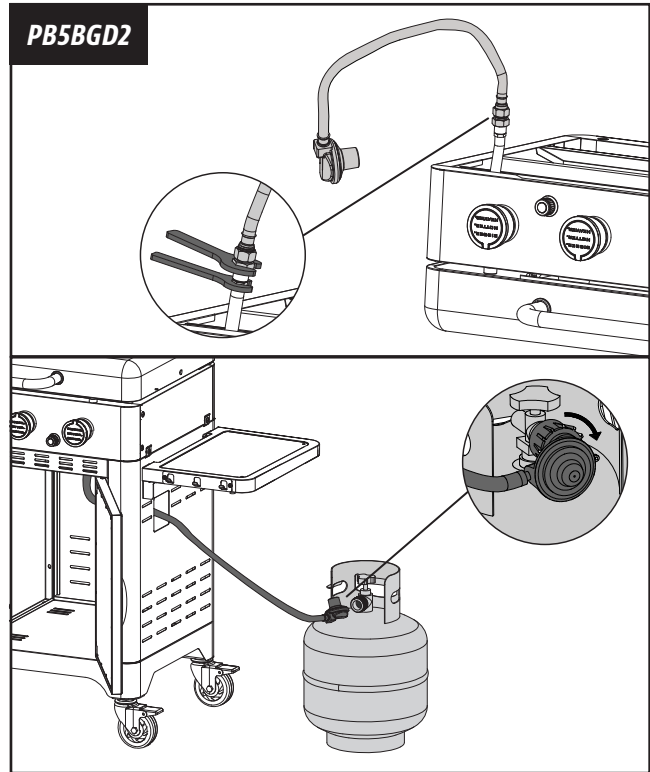
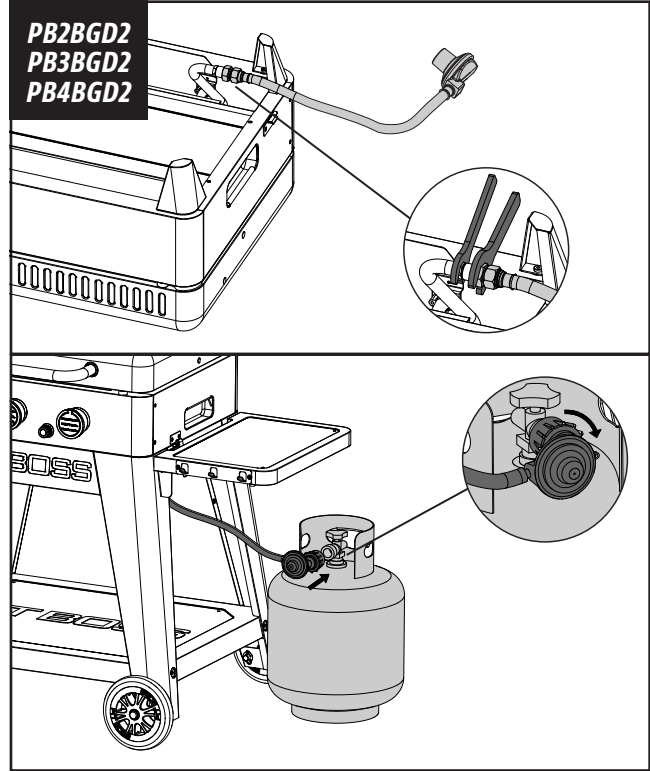
**IMPORTANT:** If the manifold requires a connector, follow the connector installation instructions prior to connecting the unit to a gas cylinder.

Before connecting, ensure there is no debris caught in the head of the gas cylinder, head of the regulator valve, or in the head of the burner and burner ports.

1. If a regulator comes pre-installed, skip to next step.  
If a connector from the Manifold Transition Kit was installed, keep the griddle off the cart for the regulator installation. Connect the regulator tube line to the griddle manifold by tightening completely with a wrench. Re-install the griddle onto the cart once the regulator and regulator tubing are installed. Make sure that the regulator tubing is not twisted or pinched in any way once the griddle is back on the cart.
2. For the Griddle with Cabinet, pull the regulator and regulator tubing through the opening on the cart right wall.
3. Place a gas cylinder next to the cart on the right side. Make sure the gas cylinder valve is in the CLOSED position. It is important to ensure the gas cylinder is completely upright, as it is unsafe to operate the griddle if the gas cylinder is not properly level or on a stable surface.
4. Ensure the control knobs on the griddle are completely closed by turning the knob clockwise to the "O" (OFF) position.
5. Remove the protective caps from the regulator valve opening and the top of the gas cylinder. Save the caps.
6. Insert the gas cylinder valve into the threaded opening of the regulator valve. Turn the quick coupling nut clockwise until firm. Hand-tighten only.
7. Gas cylinder is now installed. Perform a leak test.

**WARNING:** Shut off the gas cylinder if you smell gas. Attempt to re-install the gas cylinder to ensure that tube is connected properly. Perform a leak test.

**NOTE:** The normal flow of gas through the regulator and hose assembly can create a humming noise. A low volume of noise is perfectly normal and will not interfere with operation of the griddle. If humming noise is loud and excessive you may need to purge air from the gas line or reset the regulator excess gas flow device. This purging procedure should be done every time a new LP gas tank is connected to your griddle.



## PREPARATION FOR USE – LEAK TESTING

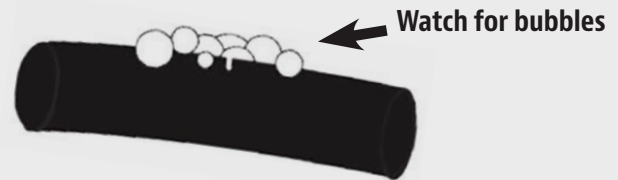
A leak test is used to determine the integrity of a seal. Before using your gas griddle, perform a leak test on the connection between the regulator and the gas cylinder to reduce the risk of serious bodily injury or death from fire or explosion. A leak test should be performed a minimum of once a season, as well as:

- before lighting your griddle for the first time,
- every time the gas cylinder has been changed,
- after travel, especially over rough or bumpy roads,
- after a prolonged period of storage or non-use.

### HOW TO PERFORM A LEAK TEST

#### Supplies Required:

- 1 x Bowl (*empty, clean*)
- 1 x Paint Brush (*clean*)
- Dish Washing Liquid
- Water



#### Procedure:

1. Position the griddle in a well-ventilated area. Ensure the griddle is cool to the touch, and not in use. Verify that the regulator valve is turned to the OFF position and that the gas cylinder is tightened securely to the regulator.

**IMPORTANT: Ensure there is no open flame or griddles nearby.**

2. Mix a solution of one part of water with one part of dish washing liquid in a bowl. The solution will make bubble, as it will be concentrated.
3. Use a paint brush to apply the solution onto the seal between the regulator and the gas cylinder, and between the manifold and the connector. Visually inspect for streams of bubbles coming from a defect or break in the seal.

**NOTE: If a leak appears, repeat gas cylinder installation procedure, but do not over-tighten. Hand-tighten only. Repeat leak test after re-installation to ensure seal is secure.**

**IMPORTANT: Do not use the gas griddle if you detect a gas leak that cannot be corrected by using the leak test procedure. Contact your local Fire Department or Customer Care for alternative measures of testing to ensure proper precaution.**

## DISCONNECTING A GAS CYLINDER

1. Turn all Control Knobs to "O" (OFF) position on the griddle. Ensure the Regulator Valve on the gas cylinder is completely closed by turning the knob to the CLOSED position.
2. Turn the quick coupling nut counter-clockwise (by hand) to disconnect from the regulator valve opening. Replace the protective caps on the Regulator Valve opening and the top of the gas cylinder for storage (if not empty).

**NOTE: If storing the griddle indoors, leave the gas cylinder outdoors.**

**WARNING: Do not fold up or transport griddle with gas cylinder attached. The cylinder may loosen off the valve and cause a gas leak, possibly resulting in an explosion, fire, or severe bodily harm. Disconnect gas cylinder first before travel or storage.**



# OPERATING INSTRUCTIONS

## GRIDDLE ENVIRONMENT

### 1. *WHERE TO SET-UP THE GRIDDLE*

With all outdoor appliances, outside weather conditions play a big part in the performance of your griddle and the cooking time needed to perfect your meals. All Pit Boss® Grills units should keep a minimum clearance of 1,270 mm (50 inches) from combustible constructions, and this clearance must be maintained while the unit is operational. This appliance must not be placed under overhead combustible ceiling or overhang. Keep your griddle in an area clear from combustible materials, or other flammable vapors and liquids.

### 2. *COLD WEATHER COOKING*

As it becomes cooler outside, that does not mean that grilling season is over! The crisp cool air and heavenly aroma of grilled foods will help cure your winter blues. Follow these suggestions on how to enjoy your griddle throughout the cooler months:

- Organize – Get everything you require ready in the kitchen before you head outdoors. During the winter, move your griddle to an area that is out of the wind and direct cold. Check local bylaws regarding the proximity of your griddle in relation to your home and/or other structures. Put everything you need on a tray, bundle up tight, and get it done!
- To help keep track of the outside temperature, place an outdoor thermometer close to your cooking area. Keep a log or history of what you cooked, the outdoor temperature, and the cooking time. This will help later down the road to help you determine what to cook and how long it will take.
- Have a heated platter or a dish cover ready to keep your food warm while making the trip back inside.

### 3. *HOT WEATHER COOKING*


As it becomes warmer outdoors, the cooking time will decrease. Follow these few suggestions on how to enjoy your griddle throughout the hot months:

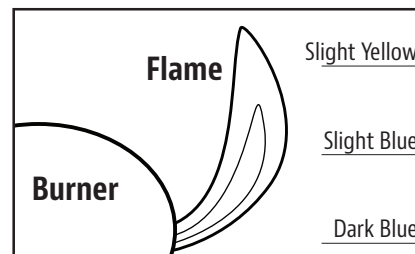
- Adjust your cooking temperatures downward. This helps to avoid unwanted flare-ups.
- Use a meat thermometer to determine the internal temperature of your foods. This helps in preventing your meat from over cooking and drying out.
- You can keep foods hot by wrapping them in foil, and placing them in an insulated cooler. Stuff crumpled up newspaper around the foil and this will keep food hot for 3 to 4 hours.

## FIRST USE – GRIDDLE BURN-OFF

Before using your griddle for the first time with food, it is important to complete a burn-off. Start the griddle and operate for a minimum of 15 minutes on HIGH to burn-off the unit. This will “heat clean” the internal components, dissipate odors and rid it of any foreign matter.

### LIGHTING PROCEDURE

1. Open lid during lighting.
2. Set all control knobs to the “O” position.
3. Open the cylinder/gas valve according to the operating instructions on tank.
4. Push and turn the burn control knob counter-clockwise to “ (light position)”.
5. Push igniter button until burner lights.
6. If ignition does not occur within 5 seconds, turn valve to “O”, wait 5 minutes, and repeat lighting instruction. After lighting, observe the burner flame. Make sure all burner ports are lit and flame height matches illustration shown.
7. If the above points do not work, follow **Manual Lighting Procedure**.



**If the burner goes out during operation, turn the control knobs to the "O" (OFF) position. Wait five minutes before attempting to relight to allow any accumulated gas to dissipate.**

### IGNITER FAILURE PROCEDURE

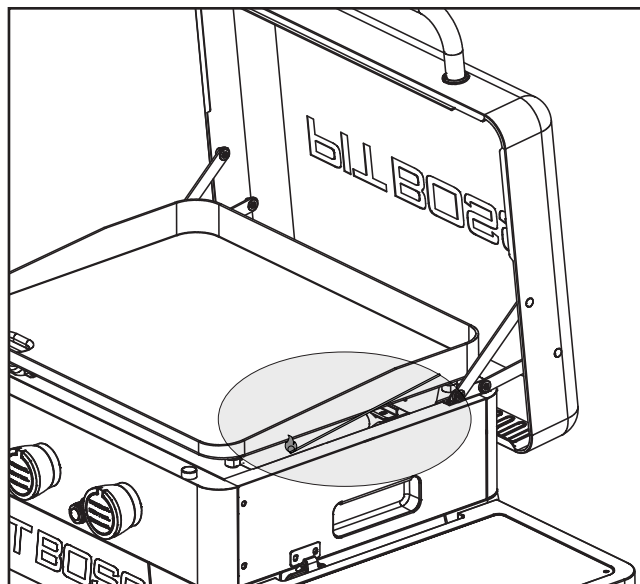
**If for any reason your igniter fails after three or four attempts, check the following steps, or start your griddle using the manual method.**

1. Ensure the control knobs are turned to the OFF position. Allow any accumulated gas to dissipate.
2. After five minutes, check the following:
  - Visually confirm that the igniter is working by pushing the igniter button and looking at the igniter tip for a spark. If no spark, adjust the distance between the igniter (electrode) tip and burner to 4.5 mm (3/16 in).
  - Visually confirm that the burner tube and portholes are not obstructed. If blocked, follow **Care & Maintenance** instructions.
3. If the above points do not work, follow **Troubleshooting** instructions.

## MANUAL LIGHTING PROCEDURE

1. Open lid during lighting.
2. Set all control knobs to the "0" position.
3. Open the cylinder/gas valve according to the operating instructions on tank.
4. Quickly and carefully, use a lit match or long-nosed lighter to light the burner. Gain access to the burner from beneath the Hot Plate. Position lit match near the side of the burner.

**CAUTION: Do not attempt to light another area of the burner. This can cause injury.**



5. Push and turn the burner control knob counter-clockwise to "🔥 (light position)", hold this knob in for 10 seconds after the burner is lit. You will hear the "snapping" sound of the spark until after the knob is released.

**NOTE: Do not use spirit, lighter-fluid or kerosene for lighting or refreshing a fire in your griddle.**

6. If the burner does not light within 5 seconds, turn burner control knob to "0", wait 5 minutes, and repeat lighting instruction. After lighting, observe the burner flame. Make sure all burner ports are lit and flame height matches illustration shown previously.

**NOTE: Each burner lights independently - repeat same steps for other burners.**

**WARNING: Never lean over the cooking area while lighting your gas griddle. Keep your face and body a safe distance (at least 457 mm / 18 inches) from the cooking grid surface when lighting your griddle by match.**

7. If the above points do not work, see *Troubleshooting*.

## SHUTTING OFF YOUR GRIDDLE

1. When finished cooking, turn gas cylinder valve to the CLOSED position, and allow the regulator knob to pop out. This safety feature locks the regulator knob to ensure that the gas is no longer flowing.
2. Turn control knobs to the "0" position.

**NOTE: A "poof" sound is normal as the last of the LP gas is burned.**

3. Disconnect gas supply by following the *Disconnecting A Gas Cylinder* instructions.

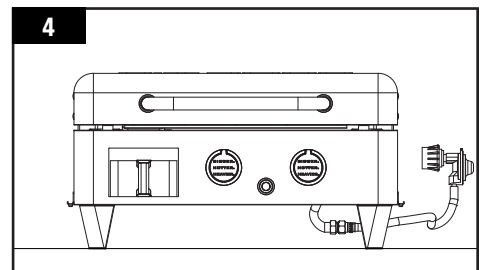
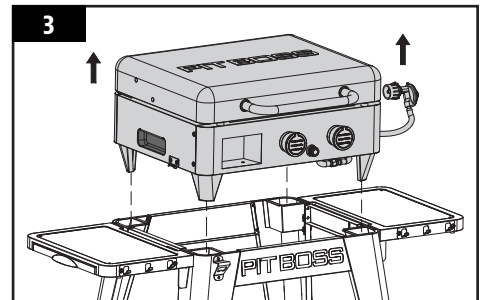
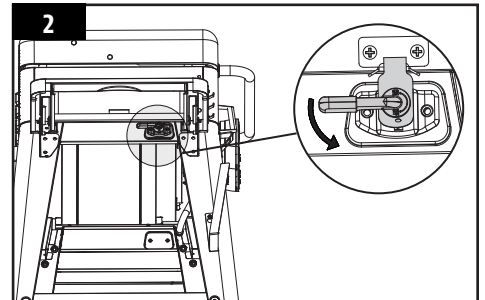
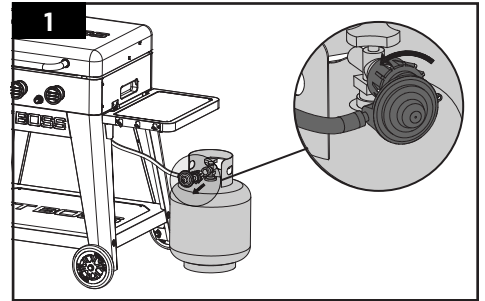
**WARNING: Allow the griddle to cool completely, and remove the gas cylinder, before moving, travel, or for storage.**

## LIFTING THE GRIDDLE OFF THE CART

If you have the PB2BPGG, PB3BPGG, PB4BPGG model griddles, they can quickly and easily be lifted off the cart for tailgating or travel. Simply follow the assembly instructions in reverse or the following summary:

**IMPORTANT: Always ensure the griddle is completely cooled, disconnected from a gas supply, and that the grease cup is removed.**

1. Disconnect the unit from the gas supply. Detach the pressure regulator assembly from the cylinder valve by turning the quick coupling nut counter-clockwise.
2. Turn the latches (one on each side) to unlock the Firebox from the Cart.
3. Using two people, carefully lift the Griddle off the Cart using the inset grooves on each side. Take special care of the regulator and hosing as you lift.
4. Place the Firebox on the ground, or to desired location, immediately to avoid injury to yourself or damage to the unit.

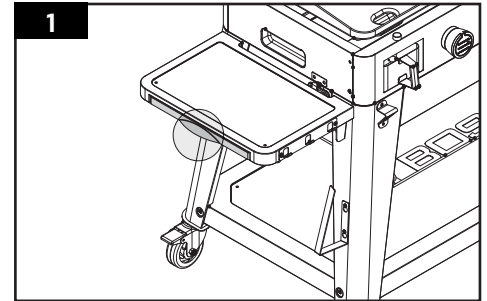


# USING THE TRASH BAG HOLDER

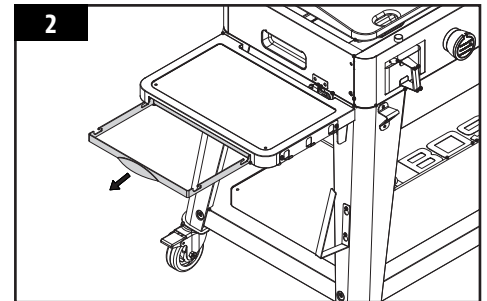
Trash collection has never been easier with the Trash Bag Holder. Located under the left Side Shelf, this stainless steel frame is easy to clean and works with a standard, regular-sized plastic grocery bag, typically around 10–20 litres (2.5–5 gallons) in volume. The frame is also designed to hold most standard trash bags (with or without handles) up to 60 litres (16 gallons) in volume.

**IMPORTANT: Be aware of how much weight is put into the bag on the Trash Bag Holder. Change the bag often to avoid compromising the integrity of the Trash Bag Holder structure and components.**

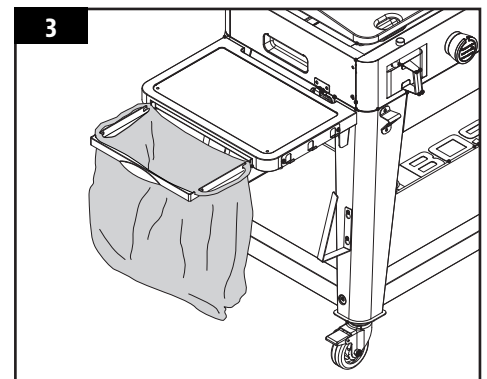
1. Locate the Trash Bag Holder grip on the left Side Shelf.



2. Pull out the Trash Bag Holder to expose the frame brackets.



3. Add a plastic grocery bag or standard trash bag to the Trash Bag Holder. Use the handles of a grocery bag to loop around the frame brackets, or loop the trash bag around three sides of the frame to keep in place.



# CARE AND MAINTENANCE

## CHECKING THE GAS LEVEL

To check the amount of fuel in a gas cylinder, the griddle must be in operation. Place your hand at the top of the gas cylinder and slowly move down the side until the gas cylinder feels cool to the touch. This will indicate the approximate amount of gas in your gas cylinder; if  $\frac{3}{4}$  empty, replace with a full gas cylinder.

**IMPORTANT: Do not use charcoal briquettes or any flammable material with your griddle. Use of such material will void your warranty and may lead to a fire, explosion and bodily harm.**

## CLEANING FREQUENCY

Any Pit Boss® unit will give you many years of flavorful service with minimum cleaning. Follow these cleaning and maintenance tips to service your griddle:

### 1. BURNER COMPONENTS

- Clean the burner whenever heavy build-up is found, to ensure that there are no signs of blockage (debris, insects) on the burner tube or in the burner portholes. After periods of storage, spiders or small insects can build nests, webs, and lay eggs in the burner tube, obstructing the flow of gas to the burner. A clogged tube can lead to a fire beneath the appliance. If storing the griddle or before an extended period of non-use, remove the burner and wrap with aluminum foil to reduce the risk of insects entering the burner holes.
- The burner has been preset for optimal flame performance. A blue flame, possibly with a small yellow tip, is the result of the optimal air and gas mixture. If flames are excessively yellow, orange or irregular, clean the oil and food deposits on the burner surface and the burner portholes to increase airflow.

### 2. COOKING COMPONENTS

- The Hot Plate of your griddle is ceramic-coated. The best utensils to use are wood, silicone, or nylon, as these materials will reduce the wear on the cooking surface.
- The unit comes pre-seasoned from the factory, but it is important to clean and season the Hot Plate after each use to prevent rust, extend the life of your griddle, and create a non-stick cooking surface. The seasoning of the griddle is a continuous process that must be repeated over the life of your griddle to ensure the best cooking experience and longest life of use.
  1. Clean the Hot Plate after each use, using a spatula or scraper to remove all food and debris.
  2. Liberally apply an even coat of cooking oil to the cooking surface. Vegetable, olive, peanut, coconut, and sesame oils are all suitable for seasoning your griddle.
  3. Allow to cool in a cool, dry location.

### 3. GRIDDLE EXTERIOR

- Check your Grease Cup often, and clean out as necessary. Keep in mind the type of foods that are cooked.
- Use a cover to protect your griddle for complete protection! A cover is your best protection against weather and outside pollutants. When not in use or for long-term storage, keep the unit under a cover in a garage or shed, with the gas cylinder removed (cylinders must be stored outdoors).

**CLEANING TIME TABLE (NORMAL USE)**

| ITEM                   | CLEANING FREQUENCY | CLEANING METHOD   |
|------------------------|--------------------|---|
| Hot Plate              | After each use     | Burn off excess, scrub pad & soapy water, season with cooking oil |
| Grease Cup             | After each use     | Empty, scrub pad & soapy water                                    |
| Burner Tube, Portholes | Every 5-6 uses     | Dust, scrub pad & soapy water                                     |
| Burners                | Every 5-6 uses     | Scrub pad & soapy water   |
| Cart                   | As needed          | Non-abrasive cloth & soapy water                                  |

## TIPS & TECHNIQUES

Follow these helpful tips and techniques, passed on from Pit Boss® owners, our staff, and customers just like you, to become more familiar with your grill:

### 1. *FOOD SAFETY*

- Use different platters and utensils for the cooked meat than the ones you used to prepare or transport the raw meat out to the grill. This will prevent cross contamination of bacteria. Each marinade or sauce should have its own utensil.
- Keep hot foods hot (above 60°C / 140°F), and keep cold foods cold (below 3°C / 37°F). Cooked foods should not be left out in the heat for more than an hour. Do not leave hot foods out of refrigeration for more than two hours.
- A marinade should never be saved to use at a later time. If you are going to use it to serve with your meat, be sure to bring it to a boil before serving.
- Defrost and marinate meats by refrigeration. Do not thaw meat at room temperature or on a counter top. Bacteria can grow and multiply rapidly in warm, moist foods. Wash hands thoroughly with hot, soapy water before starting any meal preparation and after handling fresh meat, fish and poultry.

### 2. *COOKING PREPARATION*

- Be prepared, or ***Mise en Place***. This refers to preparing the cooking recipe, fuel, accessories, utensils, and all ingredients you require at grill side before you start cooking. Also, read the entire recipe, start to finish, before lighting the grill.
- A BBQ floor mat is very useful. Due to food handling accidents and cooking spatter, a BBQ floor mat would protect a deck, patio, or stone platform from the possibility of grease stains or accidental spills.

### 3. *GRILLING TIPS AND TECHNIQUES*

- Always use a meat thermometer to determine the internal temperature of the foods you are cooking. It's a good idea to put cooked food onto a heated platter, keeping the food warm. Red meats, such as steak and roasts, benefit from resting for several minutes before serving. It allows the juices that were driven to the surface by heat to ease back to the center of the meat, adding more flavor.
- Sugar-based sauces are best applied near the end of cooking to prevent burning and flare-ups.
- Use a set of long-handled tongs for turning meats, and a spatula for turning burgers and fish. Using a piercing utensil, such as a fork, will prick the meat and allow the juices to escape.

# TROUBLESHOOTING

Proper cleaning and maintenance will prevent common operational problems. When your griddle is operating poorly, or on a less frequent basis, the following troubleshooting tips may be helpful. For FAQ, please visit [www.pitboss-grills.com](http://www.pitboss-grills.com). You may also contact your local dealer or Customer Care for assistance.

**WARNING: Always ensure the griddle is completely cooled to avoid injury.**

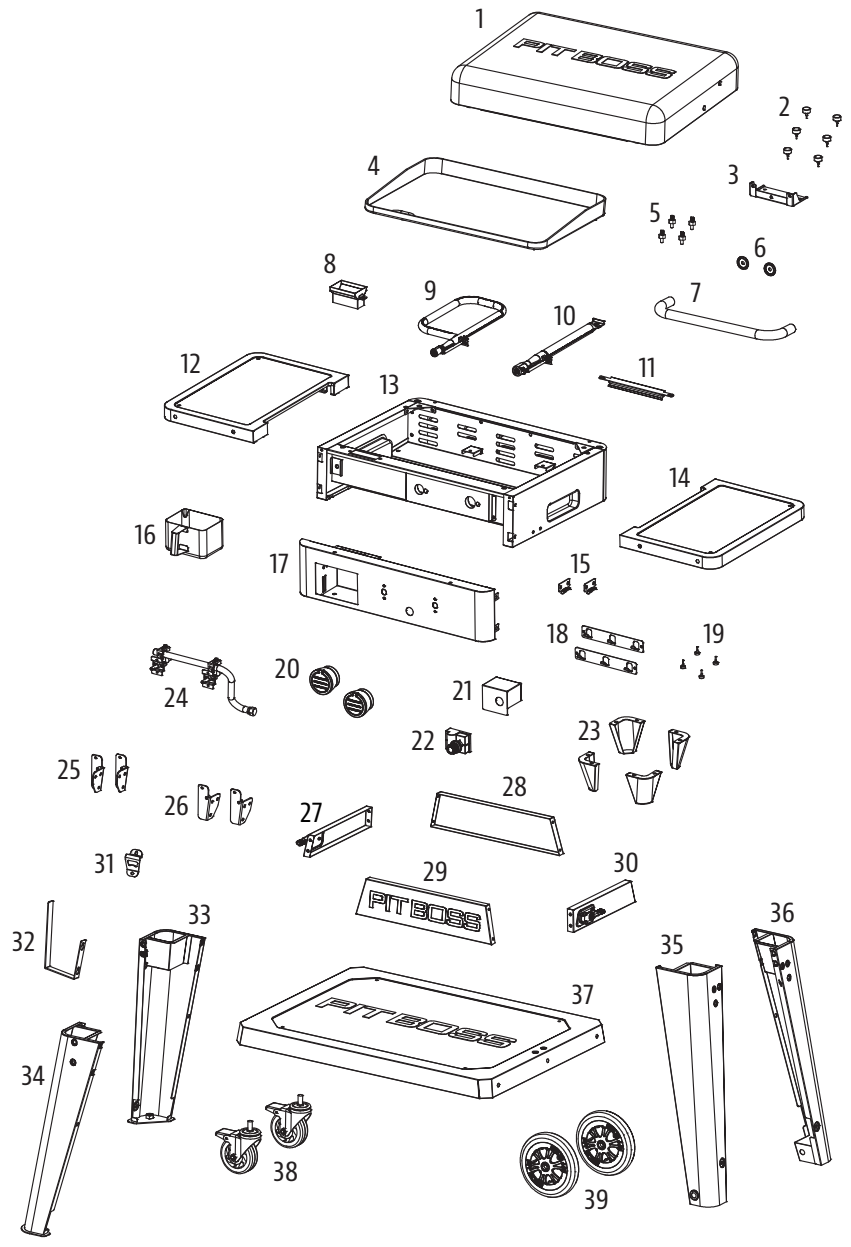
| PROBLEM                            | CAUSE                         | SOLUTION   |
|------------------------------------|-------------------------------|--|
| Burner Will Not Light              | The ignition wire is broken   | Contact Customer Care for assistance or a replacement part.  |
|                                    | No igniter spark on electrode | Adjust the electrode. Contact Customer Care for assistance or a replacement part.  |
|                                    | No gas supplied               | Check the regulator valve. Check connection for leak.  |
| Grease Fire / Frequent Flare-Ups   | Grilling fatty meats          | Grill fatty meats when the cooking surface is cold, and the knobs are on the "LOW" setting.  |
|                                    | Cooking temperature           | Attempt cooking at a lower temperature. Grease does have a flash point. Keep the temperature under 176°C / 350°F when cooking highly greasy food.  |
|                                    | Water sprayed on gas flames   | Do not spray water on gas flames.  |
| Burner blows out                   | No Gas Flow                   | Check gas fuel connection, and ensure it is open. Replace gas cylinder if empty.   |
|                                    | Gusting Or High Winds         | Turn front of grill away from wind or increase flame height.   |
| Low heat on "HIGH"                 | Ports blocked                 | Clear ports of any obstructions.   |
|                                    | Gas cylinder empty            | Refill the gas cylinder.   |
| Gas Leakage                        | Improper Installation         | Turn the regulator knob to the "0" position, and allow the regulator knob to pop out. Remove the gas cylinder. Re-install and tighten. Perform leak test to ensure proper seal. Replace gas cylinder if damaged. |
|                                    | Seal Failure                  | Gas cylinder has corroded, rusted, or has been mishandled. Replace gas cylinder.   |
|                                    | Regulator Failure             | Regulator needs to be replaced. Contact Customer Care for a replacement part.  |
| Burner Flames Are Yellow Or Orange | Poor Air Flow                 | Check burner tube and burner ports for spider webs or other obstructions. Follow <b>Care and Maintenance</b> instructions to clean the burner tube.  |
|                                    | Burner Obstruction            |  |
|                                    | Grease Cup Is Full, Spilling  | Empty grease cup and re-install. Follow <b>Care and Maintenance</b> instructions.  |
|                                    | Regulator Valve Is Off        | Check the regulator valve connection to the gas cylinder. Remove, then reinstall. Perform leak test.   |
|                                    | Burner Is Dirty               | Turn regulator knob to HIGH for five minutes, and burn-off the unit. Follow <b>Care and Maintenance</b> instructions.  |



# REPLACEMENT PARTS

| PB2BGD2 |                                     |
|---------|-------------------------------------|
| Part#   | Description                         |
| 1       | Lid (x1)                            |
| 2       | Lid Support Rubber (x6)             |
| 3       | Lid Support (x1)                    |
| 4       | Hot Plate (x1)                      |
| 5       | Hot Plate Leg Screws (x4)           |
| 6       | Lid Handle Bezel (x2)               |
| 7       | Lid Handle (x1)                     |
| 8       | Grease Run Out (x1)                 |
| 9       | P Burner (x1)                       |
| 10      | Right Burner (x1)                   |
| 11      | Burner Crossover (x1)               |
| 12      | Side shelf - Left (x1)              |
| 13      | Firebox Assembly (x1)               |
| 14      | Side Shelf - Right (x1)             |
| 15      | Latch Hook (x2)                     |
| 16      | Grease Cup (x1)                     |
| 17      | Firebox Control Panel (x1)          |
| 18      | Side Shelf Hook Panel (x2)          |
| 19      | Side Shelf Rubber (x4)              |
| 20      | Control Knob (x2)                   |
| 21      | Igniter Heat Shield (x1)            |
| 22      | Igniter (x1)                        |
| 23      | Firebox Feet (x4)                   |
| 24      | Valve Assembly (x1)                 |
| 25      | Side Shelf Bracket - Left (x2)      |
| 26      | Side Shelf Bracket - Right (x2)     |
| 27      | Cart Side Panel - Left (x1)         |
| 28      | Cart Back Panel (x1)                |
| 29      | Cart Front Panel (x1)               |
| 30      | Cart Side Panel - Right (x1)        |
| 31      | Bottle Opener (x1)                  |
| 32      | Paper Towel Hook (x1)               |
| 33      | Support Leg for Caster - Back (x1)  |
| 34      | Support Leg for Caster - Front (x1) |
| 35      | Support Leg for Wheel - Front (x1)  |
| 36      | Support Leg for Wheel - Back (x1)   |
| 37      | Bottom Shelf (x1)                   |
| 38      | Locking Caster (x2)                 |
| 39      | Wheel (x2)                          |

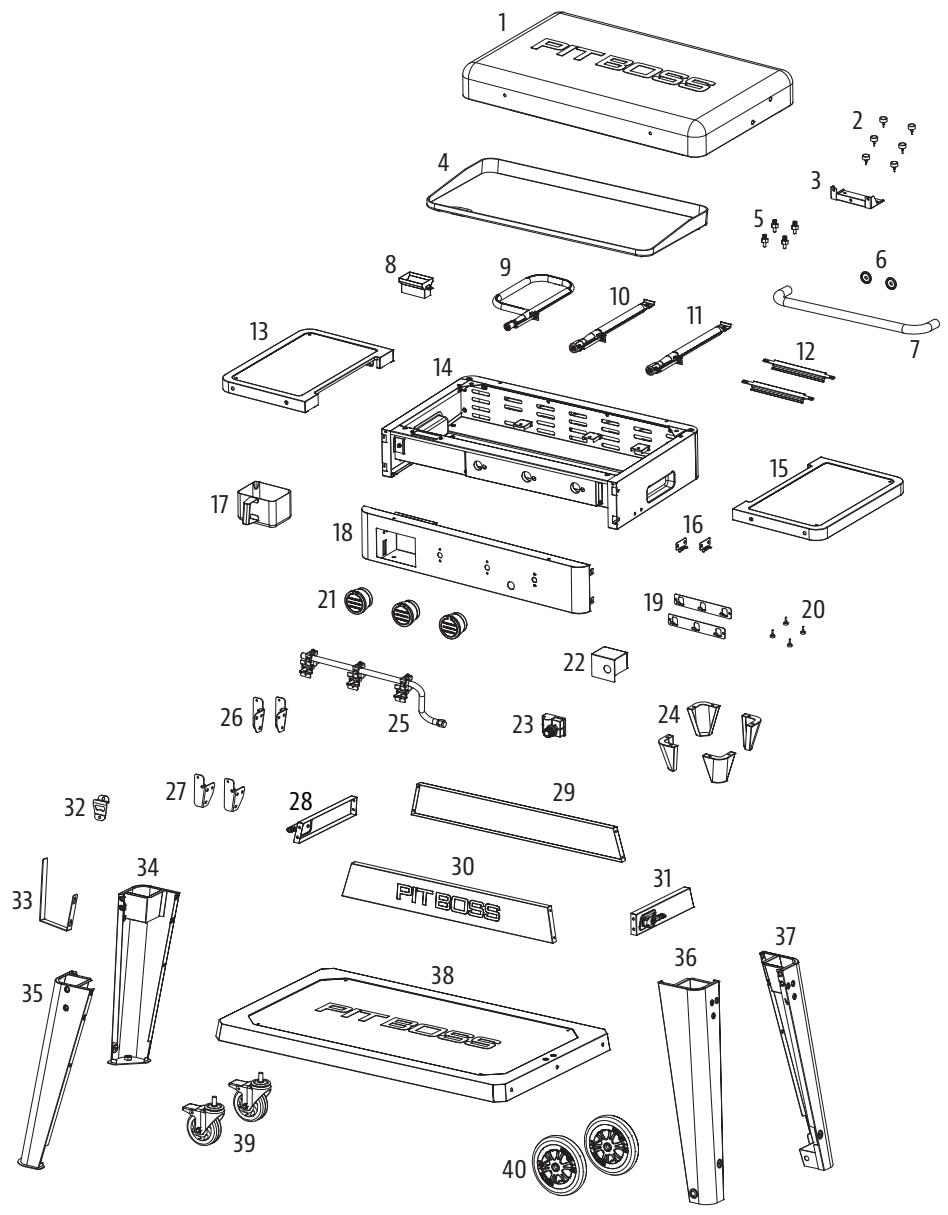
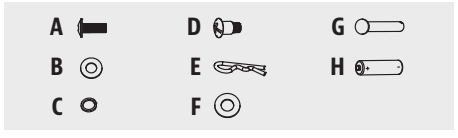
| Part# | Description           |
|-------|-----------------------|
| A     | Screw (x37)           |
| B     | Washer (x16)          |
| C     | Locking Washer (x16)  |
| D     | Screw (x4)            |
| E     | Wheel Cotter Pin (x2) |
| F     | Wheel Washer (x2)     |
| G     | Wheel Axle Pin (x2)   |
| H     | Battery (x1)          |



NOTE: Due to ongoing product development, parts are subject to change without notice.

| PB3BGD2 |                                     |
|---------|-------------------------------------|
| Part#   | Description                         |
| 1       | Lid (x1)                            |
| 2       | Lid Support Rubber (x6)             |
| 3       | Lid Support (x1)                    |
| 4       | Hot Plate (x1)                      |
| 5       | Hot Plate Leg Screws (x4)           |
| 6       | Lid Handle Bezel (x2)               |
| 7       | Lid Handle (x1)                     |
| 8       | Grease Run Out (x1)                 |
| 9       | P Burner (x1)                       |
| 10      | Middle Burner (x1)                  |
| 11      | Right Burner (x1)                   |
| 12      | Burner Crossover (x2)               |
| 13      | Side shelf - Left (x1)              |
| 14      | Firebox Assembly (x1)               |
| 15      | Side Shelf - Right (x1)             |
| 16      | Latch Hook (x2)                     |
| 17      | Grease Cup (x1)                     |
| 18      | Firebox Control Panel (x1)          |
| 19      | Side Shelf Hook Panel (x2)          |
| 20      | Side Shelf Rubber (x4)              |
| 21      | Control Knob (x3)                   |
| 22      | Igniter Heat Shield (x1)            |
| 23      | Igniter (x1)                        |
| 24      | Firebox Feet (x4)                   |
| 25      | Valve Assembly (x1)                 |
| 26      | Side Shelf Bracket - Left (x2)      |
| 27      | Side Shelf Bracket - Right (x2)     |
| 28      | Cart Side Panel - Left (x1)         |
| 29      | Cart Back Panel (x1)                |
| 30      | Cart Front Panel (x1)               |
| 31      | Cart Side Panel - Right (x1)        |
| 32      | Bottle Opener (x1)                  |
| 33      | Paper Towel Hook (x1)               |
| 34      | Support Leg for Caster - Back (x1)  |
| 35      | Support Leg for Caster - Front (x1) |
| 36      | Support Leg for Wheel - Front (x1)  |
| 37      | Support Leg for Wheel - Back (x1)   |
| 38      | Bottom Shelf (x1)                   |
| 39      | Locking Caster (x2)                 |
| 40      | Wheel (x2)                          |

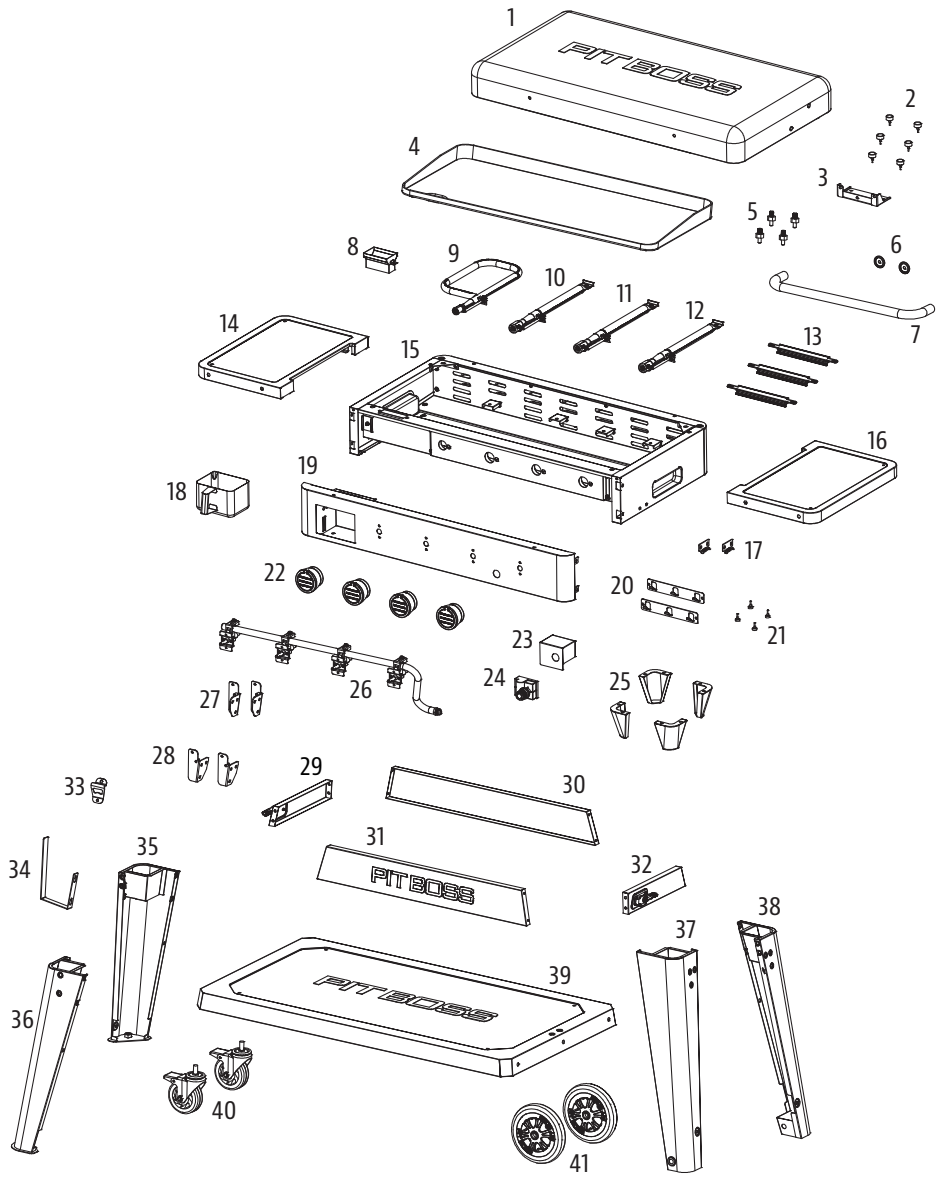
| Part# | Description           |
|-------|-----------------------|
| A     | Screw (x37)           |
| B     | Washer (x16)          |
| C     | Locking Washer (x16)  |
| D     | Screw (x4)            |
| E     | Wheel Cotter Pin (x2) |
| F     | Wheel Washer (x2)     |
| G     | Wheel Axle Pin (x2)   |
| H     | Battery (x1)          |



NOTE: Due to ongoing product development, parts are subject to change without notice.

| PB4BGD2 |                                     |
|---------|-------------------------------------|
| Part#   | Description                         |
| 1       | Lid (x1)                            |
| 2       | Lid Support Rubber (x6)             |
| 3       | Lid Support (x1)                    |
| 4       | Hot Plate (x1)                      |
| 5       | Hot Plate Leg Screws (x4)           |
| 6       | Lid Handle Bezel (x2)               |
| 7       | Lid Handle (x1)                     |
| 8       | Grease Run Out (x1)                 |
| 9       | P Burner (x1)                       |
| 10      | Left Burner (x1)                    |
| 11      | Middle Burner (x1)                  |
| 12      | Right Burner (x1)                   |
| 13      | Burner Crossover (x3)               |
| 14      | Side shelf - Left (x1)              |
| 15      | Firebox Assembly (x1)               |
| 16      | Side Shelf - Right (x1)             |
| 17      | Latch Hook (x2)                     |
| 18      | Grease Cup (x1)                     |
| 19      | Firebox Control Panel (x1)          |
| 20      | Side Shelf Hook Panel (x2)          |
| 21      | Side Shelf Rubber (x4)              |
| 22      | Control Knob (x4)                   |
| 23      | Igniter Heat Shield (x1)            |
| 24      | Igniter (x1)                        |
| 25      | Firebox Feet (x4)                   |
| 26      | Valve Assembly (x1)                 |
| 27      | Side Shelf Bracket - Left (x2)      |
| 28      | Side Shelf Bracket - Right (x2)     |
| 29      | Cart Side Panel - Left (x1)         |
| 30      | Cart Back Panel (x1)                |
| 31      | Cart Front Panel (x1)               |
| 32      | Cart Side Panel - Right (x1)        |
| 33      | Bottle Opener (x1)                  |
| 34      | Paper Towel Hook (x1)               |
| 35      | Support Leg for Caster - Back (x1)  |
| 36      | Support Leg for Caster - Front (x1) |
| 37      | Support Leg for Wheel - Front (x1)  |
| 38      | Support Leg for Wheel - Back (x1)   |
| 39      | Bottom Shelf (x1)                   |
| 40      | Locking Caster (x2)                 |
| 41      | Wheel (x2)                          |

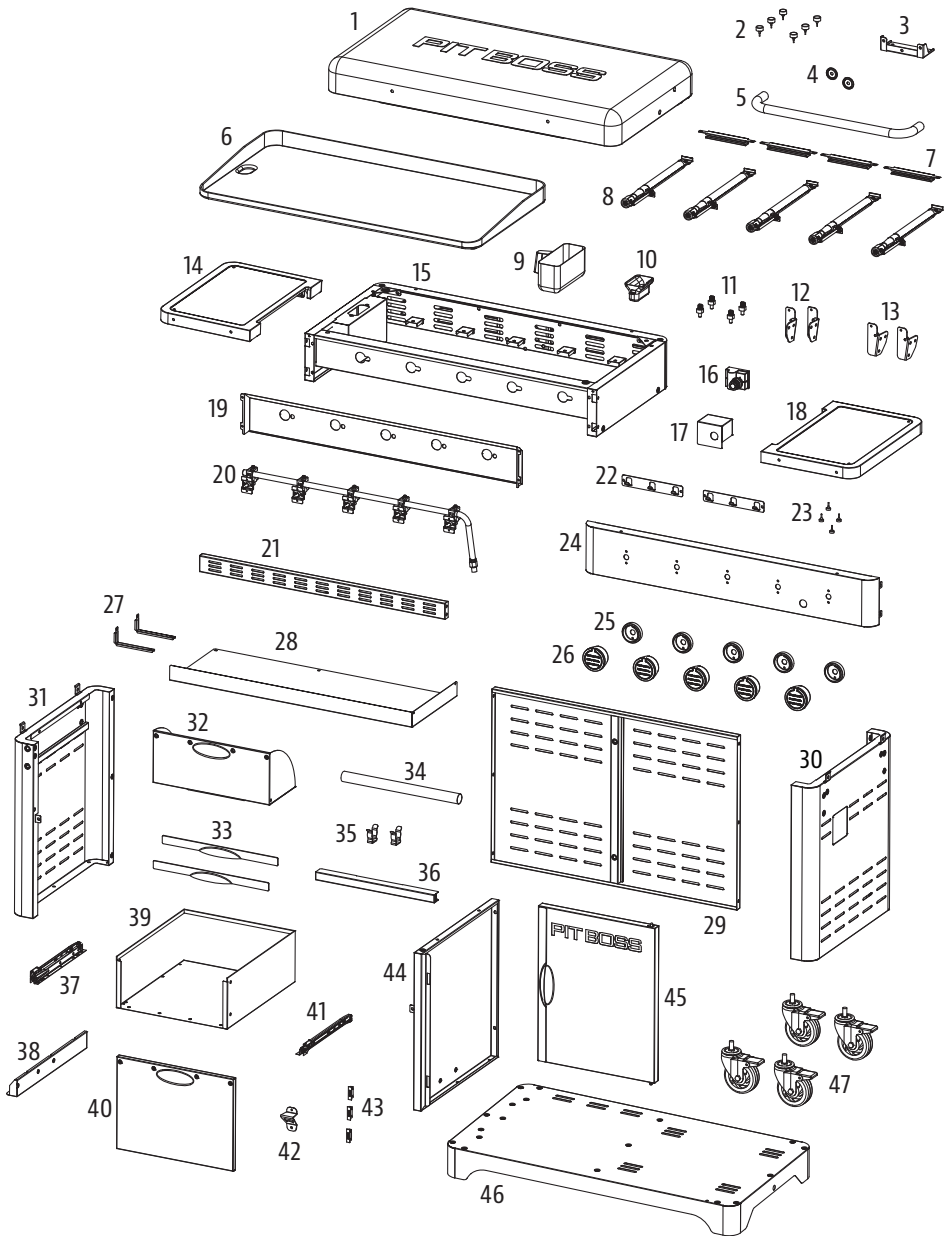
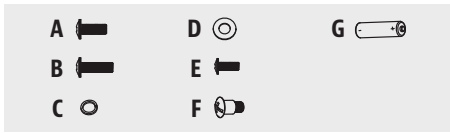
| Part# | Description           |
|-------|-----------------------|
| A     | Screw (x37)           |
| B     | Washer (x16)          |
| C     | Locking Washer (x16)  |
| D     | Screw (x4)            |
| E     | Wheel Cotter Pin (x2) |
| F     | Wheel Washer (x2)     |
| G     | Wheel Axle Pin (x2)   |
| H     | Battery (x1)          |



NOTE: Due to ongoing product development, parts are subject to change without notice.

| PB5BGD2 |                                 |
|---------|---------------------------------|
| Part#   | Description                     |
| 1       | Lid (x1)                        |
| 2       | Lid Support Rubber (x6)         |
| 3       | Lid Support (x1)                |
| 4       | Lid Handle Bezel (x2)           |
| 5       | Lid Handle (x1)                 |
| 6       | Hot Plate (x1)                  |
| 7       | Burner Crossover (x4)           |
| 8       | Burner (x5)                     |
| 9       | Grease Cup (x1)                 |
| 10      | Grease Run Out (x1)             |
| 11      | Hot Plate Leg Screws (x4)       |
| 12      | Side Shelf Bracket - Left (x2)  |
| 13      | Side Shelf Bracket - Right (x2) |
| 14      | Side shelf - Left (x1)          |
| 15      | Firebox Assembly (x1)           |
| 16      | Igniter (x1)                    |
| 17      | Igniter Heat Shield (x1)        |
| 18      | Side Shelf - Right (x1)         |
| 19      | Front Heat Shield (x1)          |
| 20      | Valve Assembly (x1)             |
| 21      | Cart Front Panel (x1)           |
| 22      | Side Shelf Hook Panel (x2)      |
| 23      | Side Shelf Rubber (x4)          |
| 24      | Firebox Control Panel (x1)      |
| 25      | Control Knob Base (x5)          |
| 26      | Control Knob (x5)               |
| 27      | Heat Shield Bracket (x2)        |
| 28      | Heat Shield Panel (x1)          |
| 29      | Cart Back Panel (x1)            |
| 30      | Cart Side Panel - Right (x1)    |
| 31      | Cart Side Panel - Left (x1)     |
| 32      | Swing Drawer (x1)               |
| 33      | Drawer Handle (x2)              |
| 34      | Paper Towel Bar (x1)            |
| 35      | Stop Block (x2)                 |
| 36      | Drawer Support Bar (x1)         |
| 37      | Drawer Rails - Left (x1)        |
| 38      | Rail Bracket (x1)               |
| 39      | Drawer (x1)                     |
| 40      | Drawer Front (x1)               |
| 41      | Drawer Rails - Right (x1)       |
| 42      | Bottle Opener (x1)              |
| 43      | Magnetic Buckle (x3)            |
| 44      | Cart Partition (x1)             |
| 45      | Cabinet Door (x1)               |
| 46      | Cart Bottom (x1)                |
| 47      | Locking Caster (x4)             |

| Part# | Description          |
|-------|----------------------|
| A     | Screw (x54)          |
| B     | Screw (x2)           |
| C     | Locking Washer (x14) |
| D     | Washer (x14)         |
| E     | Screw (x14)          |
| F     | Screw (x6)           |
| G     | Battery (x1)         |



NOTE: Due to ongoing product development, parts are subject to change without notice.

# WARRANTY

## CONDITIONS

All gas griddles by Pit Boss® Grills, manufactured by Dansons, carry a limited warranty from the date of sale by the original owner. The warranty coverage begins on the original date of purchase and proof of date of purchase, or copy of original bill of sale, is required to validate the warranty. Customers will be subject to parts, shipping, and handling fees if unable to provide proof of the purchase or after the warranty has expired. Dansons carries a two (2) year warranty against defects and workmanship on all parts. Dansons warrants that all part(s) are free of defects in material and workmanship, for the length of use and ownership of the original purchaser. Warranty does not cover damage from wear and tear, such as scratches, dents, dings, chips or minor cosmetic cracks. These aesthetic changes of the griddle do not affect its performance. Repair or replacement of any part does not extend past the limited warranty beyond the two (2) year from date of purchase.

During the term of the warranty, Dansons' obligation shall be limited to furnishing a replacement for defective and/or failed components. As long as it is within the warranty period, Dansons' will not charge for repair or replacement for parts returned, freight prepaid, if the part(s) are found by Dansons' to be defective upon examination. Dansons' shall not be liable for transportation charges, labor costs, or export duties. Except as provided in these conditions of warranty, repair or replacement of parts in the manner and for the period of time mentioned heretofore shall constitute the fulfillment of all direct and derivate liabilities and obligations from Dansons to you. Dansons takes every precaution to utilize materials that retard rust. Even with these safeguards, the protective coatings can be compromised by various substances and conditions beyond Dansons' control. High temperatures, excessive humidity, chlorine, industrial fumes, fertilizers, lawn pesticides and salt are some of the substances that can affect metal coatings. For these reasons, the warranty does not cover rust or oxidization, unless there is loss of structural integrity on the griddle components. Should any of the above occur, kindly refer to the care and maintenance section to prolong the lifespan of your unit. Dansons recommends the use of a cover when the griddle is not in use.

This warranty is based on normal domestic use and service of the griddle and neither limited warranty coverage's apply for a griddle which is used in commercial applications.

## EXCEPTIONS

There is no written or implied performance warranty on Pit Boss® Grills products, as the manufacturer has no control over the installation, operation, cleaning, maintenance or the type of fuel used. This warranty will not apply nor will Dansons assume responsibility if your appliance has not been installed, operated, cleaned and maintained in strict accordance with this owner's manual. Any use of gas not outlined in this manual may void the warranty. The warranty does not cover damage or breakage due to misuse, improper handling or modifications. Neither Dansons, or authorized Pit Boss® Grills dealer, accepts responsibility, legal or otherwise, for the incidental or consequential damage to the property or persons resulting from the use of this product. Whether a claim is made against Dansons based on the breach of this warranty or any other type of warranty expressed or implied by law, the manufacturer shall in no event be liable for any special, indirect, consequential or other damages of any nature whatsoever in excess of the original purchase of this product. All warranties by manufacturer are set forth herein and no claim shall be made against manufacturer on any warranty or representation. Some states do not allow the exclusion or limitation of incidental or consequential damages, or limitations of implied warranties, so the limitations or exclusions set forth in this limited warranty may not apply to you. This limited warranty gives you specific legal rights and you may have other rights, which vary from state to state.

## ORDERING REPLACEMENT PARTS

To order replacement parts, please contact your local Pit Boss® Grills dealer or visit our online store at: [www.pitboss-grills.com](http://www.pitboss-grills.com)

## CONTACT CUSTOMER CARE

If you have any questions or problems, contact Customer Care at: [www.pitboss-grills.com](http://www.pitboss-grills.com)

## WARRANTY SERVICE

Contact your nearest Pit Boss® Grills dealer for repair or replacement parts. Dansons requires proof of purchase to establish a warranty claim; therefore, retain your original sales receipt or invoice for future reference. The serial and model number of your Pit Boss® can be found directly on the unit. Record numbers below as the label may become worn or illegible.

---

MODEL

---

SERIAL NUMBER

---

DATE OF PURCHASE

---

AUTHORIZED DEALER

# SICHERHEITSHINWEISE

**DIE HAUPTURSACHEN FÜR GERÄTEBRÄNDE SIND UNGENÜGENDE WARTUNG UND DAS VERSÄUMNIS, DEN ERFORDERLICHEN MINDESTABSTAND ZU BRENNBAREN MATERIALIEN EINZUHALTEN. ES IST ÄUSSERST WICHTIG, DASS DIESES PRODUKT NUR ENTSPRECHEND DER FOLGENDEN ANWEISUNGEN VERWENDET WIRD.**

Bitte lesen Sie die gesamte Anleitung sorgfältig durch, bevor Sie damit beginnen, das Produkt aufzubauen, aufzustellen oder zu benutzen. Dadurch stellen Sie sicher, dass Ihnen der neue tragbare Pfannengrill Freude bereitet und bei der Verwendung möglichst wenig Probleme auftreten. Wir empfehlen ebenfalls, diese Anleitung zur künftigen Verwendung aufzubewahren.

## WARNHINWEISE FÜR PROPANGAS

### **GEFAHR**

Bei Gasgeruch:

- Die Gaszufuhr zum Gerät abschalten
- Alle offenen Flammen löschen
- Den Deckel öffnen
- Falls der Geruch anhält, halten Sie sich vom Gerät fern und rufen Sie sofort Ihren Gaslieferanten oder die Feuerwehr an.

### **WARNHINWEIS**

- Kein Benzin oder andere brennbare Flüssigkeiten oder Dämpfe in der Nähe dieses oder eines anderen Gerätes lagern oder verwenden.
- Eine nicht angeschlossene Gasflasche darf nicht in der Nähe dieses oder eines anderen Gerätes gelagert werden.
- Für den Betrieb benötigen Sie einen präzisionsgefüllten Gasbehälter mit Standard-G30/G31-Flüssigpropan zum Grillen mit Außenventilgewinde. Der maximale Durchmesser und die maximale Höhe des Behälters beträgt 300 mm (11,8 Zoll) und 600 mm (23,6 Zoll).

1. Achten Sie darauf, die Gasflasche von einem seriösen Lieferanten zu beziehen. Ein falsch befüllter oder überfüllter LPG-Behälter kann gefährlich sein. Der überfüllte Zustand in Verbindung mit der Erwärmung des LPG-Gasbehälters (heißer Sommertag, in der Sonne stehender Behälter, usw.) kann dazu führen, dass LPG-Gas freigesetzt wird, da der Temperaturanstieg die Ausdehnung des Gases bewirkt. Das aus der Flasche austretende Gas ist brennbar und kann explosiv sein.
2. Verwenden Sie keine LPG-Gasflasche, wenn diese ein beschädigtes Ventil hat oder Anzeichen von Beulen, Dellen, Ausbuchtungen, Brandschäden, Korrosion, Leckagen, übermäßigem Rost oder anderen Formen von äußeren optischen Schäden aufweist. Dies kann gefährlich sein und sollte sofort von einem Lieferanten für flüssiges Propangas überprüft werden.

**Wenn Sie Gas riechen, aus der Flasche austreten sehen oder ein Zischen hören, versuchen Sie nicht, das Gerät anzuzünden. Alle offenen Flammen löschen. Trennen Sie das Gerät von der Gaszufuhr.**

3. Verbinden oder trennen Sie den Gasbehälter nicht, während das Gerät in Betrieb oder noch heiß ist. Achten Sie darauf, dass der Reglerknopf auf OFF gestellt ist und trennen Sie den Gasbehälter, wenn der Pfannengrill nicht benutzt wird. Bewegen oder transportieren Sie das Gerät niemals, solange der Gasbehälter angeschlossen ist. Lagern Sie keine Ersatz-LPG-Gasbehälter unter dem oder in der Nähe des Gerätes.
4. Die Flaschen müssen im Freien und außerhalb der Reichweite von Kindern gelagert werden und dürfen nicht in einem Gebäude, einer Garage oder einem anderen geschlossenen Bereich aufbewahrt werden.

5. Behindern Sie nicht den Strom von Verbrennungs- und Belüftungsluft zu diesem Gerät. Halten Sie das Brennerrohr und die Zündlöcher sauber und frei von Schmutz. Vor Gebrauch reinigen. Zur Verlängerung der Lebensdauer des Geräts ist eine regelmäßige Pflege und Wartung erforderlich.
6. Achten Sie beim Anbringen und Abnehmen des Reglers an die Gasflasche immer auf Gasaustritt, insbesondere nach einer Lagerzeit (z. B. über Winter). Überprüfen Sie alle Anschlüsse mit einer Seifenlauge und einer Bürste auf Undichtigkeiten. Verwenden Sie niemals eine offene Flamme, um auf Undichtigkeiten zu prüfen.
7. Reinigen und überprüfen Sie den Gasregler vor jedem Gebrauch des Gaskochgerätes für den Außenbereich. Ersetzen Sie den Gasregler vor der Verwendung, wenn ein übermäßiger Abrieb oder Verschleiß vorliegt.
8. Betreiben Sie dieses Gerät nur mit Flüssiggas, das ebenfalls auf dem Typenschild am Gerät angegeben ist. Versuchen Sie nicht, Ihren Grill mit anderen Gasen zu betreiben. Versuchen Sie nicht, dieses LPG-Gerät auf Erdgas umzurüsten. Die Nichtbeachtung dieser Warnung kann Brände und Körperverletzungen verursachen und führt zum Erlöschen der Garantie.
9. The location of the burner tube with respect to the orifice is vital for safe operation. Check to ensure the orifice is inside the burner tube before using the gas griddle. If the burner tube does not fit over the valve orifice, lighting the burner may cause explosion and/or fire.

## GEFAHREN UND WARNHINWEISE

**Sie müssen sich an Ihre Hausvereinigung vor Ort, Ihren Gebäude- oder Brandbeauftragten oder die zuständige Behörde wenden, um die erforderlichen Genehmigungen, Anforderungen oder Informationen zu Installationsbeschränkungen wie das Aufstellen des Grills auf einer brennbaren Oberfläche, die Inspektionsanforderungen oder sogar die Einsatzmöglichkeit in Ihrer Region zu erhalten.**

1. Es muss ein Abstand von mindestens 1.270 mm (50 Zoll) von den Seiten und von der Rückseite des Pfannengrills zu brennbaren Bauten eingehalten werden. **Bauen Sie das Gerät nicht auf brennbaren Böden auf, oder auf Böden, die mit brennbaren Oberflächen geschützt sind, es sei denn, Ihnen liegen von den zuständigen Behörden die ordnungsgemäßen Genehmigungen und Zulassungen vor.** Verwenden Sie dieses Gerät nicht in Gebäuden und abgeschlossenen oder unbelüfteten Bereichen, in Wohnräumen, Fahrzeugen, Zelten, Garagen. Dieser LPG-Pfannengrill darf nicht unter einer Decke oder einem Überhang aus brennbaren Materialien aufgebaut werden. Stellen Sie den Pfannengrill in einem Bereich auf, der frei von brennbaren Materialien, Benzin und anderen entzündlichen Gasen und Flüssigkeiten ist.

**Wenn es zu einem Fettbrand kommt, schalten Sie den Grill auf OFF und lassen Sie den Deckel geschlossen, bis das Feuer erloschen ist. Unternehmen Sie keine Löschversuche mit Wasser. Versuchen Sie nicht, das Feuer zu ersticken. Es ist empfehlenswert, einen für alle Brandklassen (ABC) zugelassenen Feuerlöscher vor Ort zu haben. Rufen Sie die Feuerwehr, falls der Brand außer Kontrolle gerät.**

2. Dieser Außengrill ist nicht für den Einbau in/auf Wohnmobilen oder Booten vorgesehen.

**Verwenden Sie dieses Gerät niemals in einem geschlossenen Raum, wie z. B. in einem Wohnmobil, Zelt, Auto, Boot oder im Haus. Dieses Gerät ist nicht für den Einsatz als Heizgerät bestimmt und sollte niemals als solches verwendet werden.**

3. Dieses Gerät wird nicht empfohlen für Kinder, Personen mit eingeschränkten physischen, sensorischen oder mentalen Fähigkeiten oder Personen, denen es an Erfahrung und Wissen mangelt, es sei denn unter direkter Aufsicht oder nach Einweisung in die Funktionsweise dieses Geräts durch einen Sicherheitsverantwortlichen.
4. Teile des Grills können sehr heiß werden und ernsthafte Verletzungen verursachen. Halten Sie Kleinkinder und Haustiere auf Abstand, wenn das Gerät in Gebrauch ist. Fassen Sie nicht auf die heißen Flächen. Verwenden Sie immer hitzebeständige Handschuhe, lange Grillzangen oder Kochhandschuhe, da der Grill sehr heiß wird.
5. Nutzen Sie keinesfalls den Grill, wenn der Fettbehälter fehlt und nicht unter dem Feuerkasten hängt. Ohne den Fettbehälter können heißes Fett und Verschmutzungen nach unten fallen und eine Brandgefahr darstellen.

## KOHLENMONOXID („DER LEISE KILLER“)

Verwenden Sie ein Gasgerät immer im Außenbereich, auf einem freien Areal mit guter Belüftung, damit Sie keine giftigen Verbrennungsgase oder kein austretendes Gas einatmen. Kohlenmonoxid ist ein farb-, geruchs- und geschmacksloses Gas, das bei der Verbrennung von Gas, Holz, Propangas, Kohle und anderen Brennstoffen entsteht. Es verringert die Fähigkeit des Bluts, Sauerstoff zu transportieren. Ein niedriges Sauerstoffniveau kann zu Kopfschmerzen, Schwindel, Schwäche, Übelkeit, Erbrechen, Müdigkeit, Verwirrung, Bewusstseinsverlust und dem Tod führen. Befolgen Sie diese Richtlinien, um zu verhindern, dass dieses farb- und geruchslose Gas bei Ihnen, Ihrer Familie und anderen zu einer Kohlenmonoxid-Vergiftung führt.

- Suchen Sie einen Arzt auf, wenn Sie oder andere erkältungs- oder grippeähnliche Symptome beim Grillen oder Räuchern oder in der Nähe des Geräts entwickeln. Eine Kohlenmonoxid-Vergiftung, die leicht mit einer Erkältung oder Grippe verwechselt werden kann, wird oftmals zu spät entdeckt.
- Alkohol- und Drogenkonsum verstärkt die Effekte einer Kohlenmonoxid-Vergiftung.

Kohlenmonoxid gefährdet insbesondere Mutter und Kind während der Schwangerschaft, Kleinkinder, ältere Menschen, Raucher und Menschen mit Herz-Kreislauf-Problemen wie Anämie oder Herzerkrankungen.

## SICHERHEITSKENNZEICHNUNG

Gemäß den Verfahren und Anforderungen der Conformité Européenne (CE) ist die Regelkonformität der Gasgeräte von Pit Boss® Grills durch Tests bezüglich der Einhaltung von Standards und Richtlinien belegt, die allen Sicherheits-, Gesundheits- und Umweltschutzanforderungen der EU (Europäischen Union) und des Europäischen Wirtschaftsraums (EWR) genügen.



|                | HEIZLEISTUNG                                 | ANZAHL DER BRENNER |           | ART DES BRENNERS | GRÖSSE DER EINSPRITZ-DÜSE | GAS/DRUCK   | VERWENDUNGSLAND  |
|----------------|--|--------------------|-----------|------------------|---------------------------|---|--|
|                |  | STAB-BRENNER       | P-BRENNER |                  |                           |   |  |
| <b>PB2BGD2</b> | 7,63 KW<br>G30 – 555 g/h<br>G31 – 545 g/h    | 1                  | 1         | STAB-BRENNER     | 0,8 mm                    | G30 bei 28–30 mbar<br>G31 bei 37 mbar<br>G30/G31-Mischung bei 30 mbar | <b>I3+ (28-30/37) :</b><br>BE, CH, CY, CZ, ES, FR, GB, GR, IE, IT, LT, LU, LV, PT, SK, SI<br><br><b>I3B/P (30) :</b><br>BE, CY, DK, EE, FR, GB, HU, IT, LT, NL, NO, SE, SI, SK, RO, HR, TR, BG, IS, LU, MT, FI<br><br><b>I3B/P (37) :</b><br>PL<br><br><b>I3B/P (50) :</b><br>AT, DE, SK, CH |
| <b>PB3BGD2</b> | 10,5 KW<br>G30 – 768 g/h<br>G31 – 755 g/h    | 2                  | 1         |                  | 0,75 mm                   | G30/G31-Mischung bei 37 mbar  |  |
| <b>PB4BGD2</b> | 13,49 KW<br>G30 – 982 g/h<br>G31 – 964 g/h   | 3                  | 1         |                  | 0,72 mm                   | G30/G31-Mischung bei 50 mbar  |  |
| <b>PB5BGD2</b> | 14,65 KW<br>G30 – 1066 g/h<br>G31 – 1047 g/h | 5                  | 0         | P-BRENNER        | 1,02 mm                   | G30 bei 28–30 mbar<br>G31 bei 37 mbar<br>G30/G31-Mischung bei 30 mbar |  |
|                |  |                    |           |                  | 0,97 mm                   | G30/G31-Mischung bei 37 mbar  |  |
|                |  |                    |           |                  | 0,93 mm                   | G30/G31-Mischung bei 50 mbar  |  |





#### HINWEISE ZUM COPYRIGHT

Copyright 2021. Alle Rechte vorbehalten. Kein Teil dieser Anleitung darf in keiner erdenklichen Form oder Weise kopiert, übertragen, transkribiert oder in einem Datenabfragesystem gespeichert werden, ohne die ausdrückliche schriftliche Zustimmung von

#### **DANSONS EUROPA**

11 Rue Galvani Paris, Frankreich 75017

#### **DANSONS NORDAMERIKA**

3411 North 5th Avenue, Suite 500, Phoenix, AZ, USA 85013

#### KUNDENDIENST

[www.pitboss-grills.com](http://www.pitboss-grills.com)

## INHALTSVERZEICHNIS

|  |    |
|--|----|
| Sicherheitshinweise .....                            | 62 |
| Anschluss an eine Gaszufuhr                          |    |
| Gasbehälter-Anforderungen .....                      | 66 |
| Installieren eines Gasanschlusses am Verteiler ..... | 66 |
| Verbinden eines Gasbehälters .....                   | 67 |
| Betriebsvorbereitung – Lecktest .....                | 68 |
| Trennen eines Gasbehälters .....                     | 68 |
| Bedienungsanleitung                                  |    |
| Umgebung des Pfannengrills.....                      | 69 |
| Erste Verwendung – Ausbrennen des Pfannengrills..... | 70 |
| Befeuervorgang .....                                 | 70 |
| Manueller Anzündvorgang .....                        | 71 |
| Den Pfannengrill ausstellen .....                    | 71 |
| Den Pfannengrill vom Wagen heben .....               | 72 |
| Verwenden des Müllbeutelhalters .....                | 73 |
| Pflege und Wartung .....                             | 74 |
| Tipps und Techniken.....                             | 75 |
| Fehlerbehebung .....                                 | 76 |
| Ersatzteile .....                                    | 77 |
| Garantie.....  | 81 |

DE

DEUTSCHE

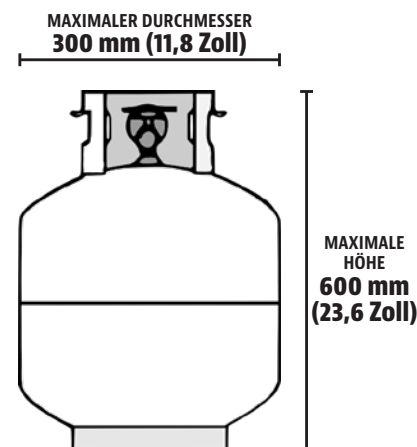
# ANSCHLUSS AN EINE GASZUFUHR

## GASBEHÄLTER-ANFORDERUNGEN

Für den Betrieb benötigen Sie einen präzisionsgefüllten Gasbehälter mit Standard-G30/G31-Flüssigpropan zum Grillen mit Außenventilgewinde. Verwenden Sie einen flexiblen Standardschlauch mit einer Länge von weniger als 1,5 m (59 Zoll). Der Schlauch muss nach seiner Anbringung zur Überprüfung auf ganzer Länge gut sichtbar sein.

Der maximale Durchmesser und die maximale Höhe des Behälters beträgt wie in der Abbildung angegeben 300 mm (11,8 Zoll) und 600 mm (23,6 Zoll).

**VORSICHT:** Sie müssen den richtigen Regler verwenden, dessen relevanter Standard EN16129 lautet, und die richtige Flasche, damit Sie sicher und effizient Grillen können. Die Verwendung eines falschen oder fehlerhaften Reglers ist gefährlich und führt zum Erlöschen der Garantie. Es ist wichtig, die gesamte Länge des Schlauchs zu überprüfen. Bei klaren Anzeichen von übermäßigem Abrieb oder Verschleiß oder einem Einschnitt in den Schlauch, muss der Schlauch vor der Verwendung des Geräts ausgetauscht werden.



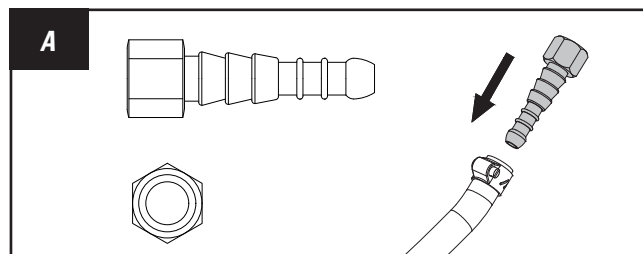
## INSTALLIEREN EINES GASANSCHLUSSES AM VERTEILER

Je nach Standort und Land des Kaufs ist nicht bei allen Händlern des Pfannengrills ein Regler im Lieferumfang enthalten. Für den Fall, dass der Gasregler nicht vormontiert geliefert wurde, wird ein Verteiler-Übergangssatz mitgeliefert. Wählen Sie aus dem mitgelieferten Verteiler-Übergangssatz den Anschluss aus, der für Ihre Gasverteiler- und Reglerschläuche erforderlich ist. Um die Installation des Gasanschlusses zu erleichtern, heben Sie den Pfannengrill vom Wagen ab oder trennen Sie ihn von ihm. Legen Sie das Gerät umgedreht auf ein Stück Pappe, um Kratzer oder Beschädigungen zu vermeiden.

- **ANSCHLUSS A – KONISCH**

Das verjüngte Steckerende in den Schlauch des Reglerventils stecken und mit der Schlauchklemme befestigen.

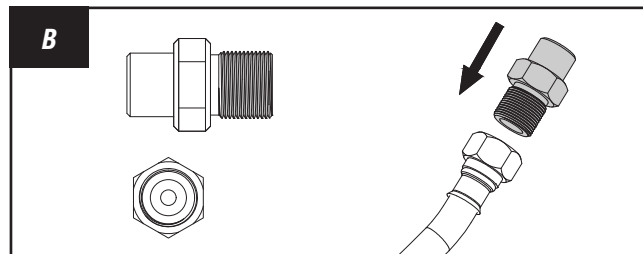
Beachten Sie Abbildung A.



- **ANSCHLUSS B – MIT GEWINDE**

Gewindeende des Steckers in die Gewindebuchse des Reglerventilschlauchs einstecken. Schrauben Sie ihn ein, bis er vollständig festgezogen ist.

Beachten Sie Abbildung B.



Fahren Sie mit dem nächsten Schritt zur Installation des Gasbehälters fort. Lassen Sie den Pfannengrill vom Wagen getrennt.

## VERBINDEN EINES GASBEHÄLTERS

**WICHTIG: Wenn für den Gasverteiler ein Verbindungsstück benötigt wird, befolgen Sie die Montageanweisungen des Verbindungsstücks, bevor Sie das Gerät mit einem Gasbehälter verbinden.**

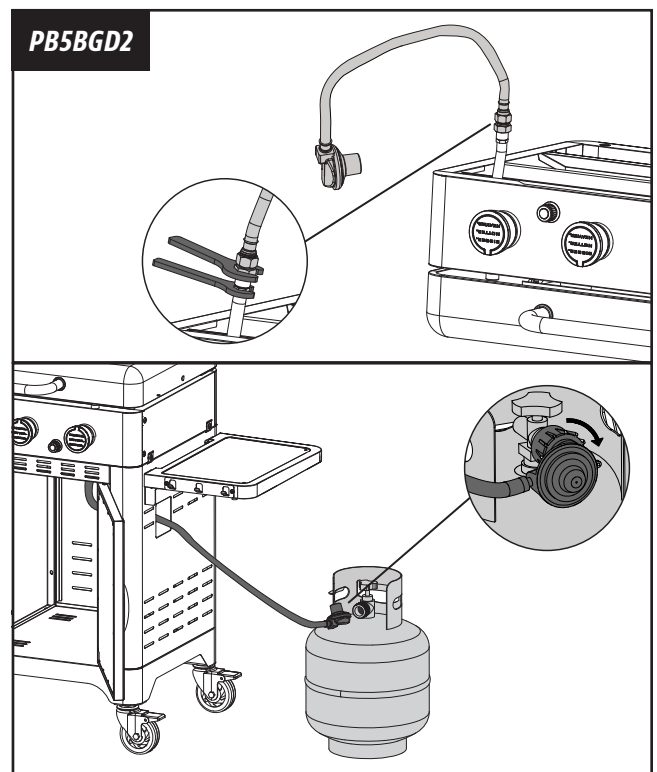
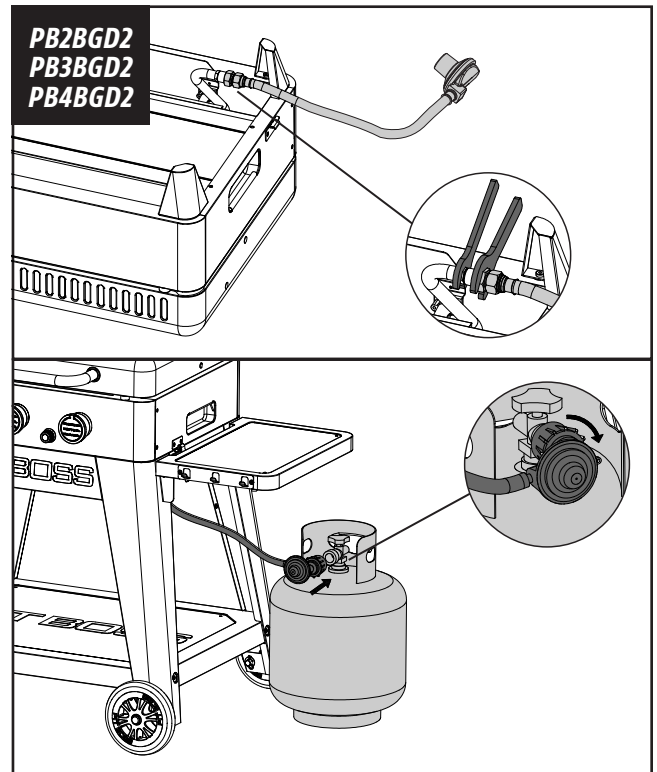
Prüfen Sie vor dem Verbinden, dass sich keine Verschmutzungen im Kopf des Gasbehälters, dem Kopf des Reglerventils oder dem Kopf des Brenners und der Brenneröffnungen befinden.

1. Wenn ein Regler vorinstalliert ist, fahren Sie mit dem nächsten Schritt fort.

Wenn ein Anschluss aus dem Verteiler-Übergangssatz angebracht wurde, lassen Sie den Pfannengrill für die Montage des Reglers vom Wagen getrennt. Schließen Sie die Reglerschlauchleitung an den Pfannengrill-Verteiler an, indem Sie sie mit einem Schraubenschlüssel vollständig festziehen. Montieren Sie den Pfannengrill wieder auf dem Wagen, sobald der Regler und die Reglerschläuche installiert sind. Stellen Sie sicher, dass die Reglerschläuche nicht verdreht oder eingeklemmt sind, wenn der Pfannengrill wieder auf dem Wagen steht.

2. Ziehen Sie beim Pfannengrill mit Schrank den Regler und die Reglerschläuche durch die Öffnung an der rechten Wagenwand.
3. Stellen Sie einen Gasbehälter rechts neben den Wagen. Das Gasbehälterventil sollte sich dabei in der CLOSED-Position befinden. Es ist wichtig sicherzustellen, dass der Gasbehälter vollständig aufrecht steht, da die Bedienung des Pfannengrills nicht sicher ist, wenn der Gasbehälter nicht vollständig eben oder auf einer stabilen Oberfläche steht.
4. Prüfen Sie, dass die Bedienknöpfe am Pfannengrill vollständig geschlossen sind, indem Sie die Knöpfe im Uhrzeigersinn in die Position O (OFF) drehen.
5. Entfernen Sie die Schutzkappen von der Öffnung des Reglerventils und der Oberseite des Gasbehälters. Bewahren Sie die Kappen auf.
6. Stecken Sie das Gasbehälterventil in die Gewindeöffnung des Reglerventils. Drehen Sie die Schnellkupplungsmutter im Uhrzeigersinn bis zum Anschlag. Nur handfest anziehen.
7. Der Gasbehälter ist nun angebracht. Führen Sie eine Dichtheitsprüfung durch.

**WARNUNG: Wenn Sie Gas riechen, schalten Sie den Gasbehälter aus. Versuchen Sie, den Gasbehälter erneut anzuschließen, um sicherzugehen, dass der Schlauch richtig verbunden ist. Führen Sie eine Dichtheitsprüfung durch.**



**HINWEIS:** Der normale Gasfluss durch den Regler und die Schlauchleitung kann ein brummendes Geräusch verursachen. Eine geringe Geräusentwicklung ist völlig normal und beeinträchtigt den Betrieb des Pfannengrills nicht. Wenn das Brummgeräusch übermäßig laut ist, müssen Sie möglicherweise die Gasleitung entlüften oder den Regler des Überströmventils für das Gas zurücksetzen. Dieser Reinigungsvorgang sollte jedes Mal durchgeführt werden, wenn ein neuer LPG-Gasbehälter an den Pfannengrill angeschlossen wird.

## BETRIEBSVORBEREITUNG – LECKTEST

Eine Dichtheitsprüfung wird verwendet, um die Integrität einer Dichtung zu bestimmen. Führen Sie vor der Verwendung Ihres Gasgrills eine Dichtheitsprüfung an der Verbindung zwischen Regler und Gasbehälter durch, um das Risiko schwerer Verletzungen oder des Todes durch Feuer oder Explosion zu verringern. Eine Dichtheitsprüfung sollte mindestens einmal pro Saison durchgeführt werden, sowie:

- vor dem ersten Anzünden des Grills,
- jedes Mal, wenn der Gasbehälter ausgetauscht wurde,
- nach einer Fahrt, insbesondere über raue oder holprige Straßen,
- nach längerer Lagerung oder Nichtbenutzung.

### DURCHFÜHREN EINER DICHTHEITSPRÜFUNG

#### Erforderliches Zubehör:

- 1 x Schüssel (leer, sauber)
- 1 x Pinsel (sauber)
- Geschirrspülmittel
- Wasser

#### Vorgehensweise:

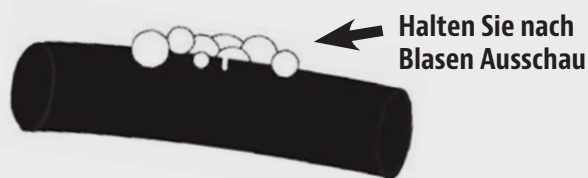
1. Stellen Sie den Grill in einem gut belüfteten Bereich auf. Stellen Sie sicher, dass der Grill kühl genug zum Anfassen und nicht in Betrieb ist. Vergewissern Sie sich, dass das Reglerventil in der Position OFF steht und dass der Gasbehälter fest mit dem Regler verbunden ist.

**WICHTIG:** Stellen Sie sicher, dass sich keine offene Flamme oder rauchende Personen in der Nähe befinden.

2. Mischen Sie eine Lösung aus Wasser und Spülmittel im gleichen Mengenverhältnis in einer Schüssel. Die Lösung wird aufgrund der Konzentration Blasen bilden.
3. Tragen Sie die Lösung mit einem Pinsel auf die Dichtung zwischen Regler und Gasbehälter auf. Kontrollieren Sie, ob sich außen Blasen bilden, die auf einen Defekt oder einen Bruch der Dichtung hinweisen.

**HINWEIS:** Wenn ein Leck auftritt, wiederholen Sie den Installationsvorgang des Gasbehälters, ziehen ihn aber nicht zu fest an. Nur handfest anziehen. Wiederholen Sie die Dichtheitsprüfung nach dem erneuten Anbringen, um eine sichere Abdichtung sicherzustellen.

**ACHTUNG:** Den Gasgrill nicht verwenden, wenn Sie ein Gasleck feststellen, das nicht mit dem Dichtheitsprüfungsverfahren behoben werden kann. Wenden Sie sich an Ihre örtliche Feuerwehr oder den Kundendienst, um alternative Testverfahren zu erhalten und die richtigen Vorsichtsmaßnahmen zu treffen.



## TRENNEN EINES GASBEHÄLTERS

1. Stellen Sie sicher, dass der Drehregler am Grill vollständig geschlossen ist, indem Sie den Knopf im Uhrzeigersinn in die Position OFF drehen. Drehen Sie das Ventil des LPG-Gasbehälters in die Position CLOSED, so dass der Reglerknopf herauskommt.
2. Drehen Sie den Behälter gegen den Uhrzeigersinn (von Hand), damit er sich von der Öffnung des Reglerventils löst. Stecken Sie die Schutzkappen wieder auf die Öffnung des Reglerventils und auf die Oberseite des Gasbehälters zur Aufbewahrung (wenn dieser nicht leer ist).

**HINWEIS: Wenn Sie den Grill im Innenbereich aufbewahren, lassen Sie die Gasflasche draußen.**

**ACHTUNG: Den Grill nicht zusammenklappen oder transportieren, wenn eine Gasflasche angebracht ist. Die Flasche kann sich vom Ventil lösen und ein Gasleck verursachen, was möglicherweise zu einer Explosion, einem Brand oder schweren Körperverletzungen führen kann. Trennen Sie vor dem Bewegen oder Lagern zuerst die Gasflasche.**

# BEDIENUNGSANLEITUNG

## UMGEBUNG DES PFANNENGRILLS

### 1. AUFSTELLEN DES PFANNENGRILLS

Wie bei allen Geräten für den Außenbereich spielt das Wetter eine wichtige Rolle bei der Grill-/Räucherleistung des Pfannengrills und der Garzeit, die zur Zubereitung der Mahlzeit notwendig ist. Alle Pit Boss® Geräte sollten in einem Mindestabstand von 1.270 mm (50 Zoll) von brennbaren Bauten aufgestellt werden und dieser Mindestabstand muss während der gesamten Nutzungsdauer eingehalten werden. Dieses Gerät darf nicht unter einer brennbaren Decke oder einem brennbaren Vorsprung aufgebaut werden. Stellen Sie den Pfannengrill in einem Bereich auf, der frei von brennbaren Materialien oder anderen entzündlichen Gasen und Flüssigkeiten ist.

### 2. GAREN BEI KALTEM WETTER

Wenn es draußen kälter wird, heißt das nicht, dass die Grillsaison beendet ist! Die frische kalte Luft und der vorzügliche Duft nach gegrilltem Essen werden Ihnen dabei helfen, den Winter-Blues zu überwinden. Beachten Sie diese Empfehlungen und Sie werden während der kälteren Monate Freude an Ihrem Grill haben:

- Seien Sie gut organisiert: Bereiten Sie alles, was Sie benötigen, in der Küche vor, bevor Sie nach draußen gehen. Verlegen Sie Ihren Grillplatz im Winter an einen windgeschützten Ort, wo Sie nicht in der direkten Kälte stehen. Überprüfen Sie die kommunalen Verordnungen hinsichtlich des Abstands zwischen Grill und/oder anderen Bauten. Stellen Sie alles auf ein Tablett, ziehen Sie sich warm an und machen Sie sich ans Werk!
- Um die Außentemperatur zu verfolgen, hängen Sie ein Außenthermometer in der Nähe des Grillbereichs auf. Führen Sie Buch darüber, was Sie zubereiten, über die Außentemperatur und die Garzeit. Das hilft Ihnen zu einem späteren Zeitpunkt bei der Entscheidung, was Sie grillen oder räuchern und wie lange Sie dafür veranschlagen müssen.
- Stellen Sie eine warme Servierplatte bereit oder decken Sie den Teller ab, um das Essen warm zu halten, während Sie zurück ins Haus gehen.

### 3. GAREN BEI HEISSEM WETTER


Wenn es draußen wärmer wird, verringert sich die Garzeit. Halten Sie sich an diese Empfehlungen und Sie werden während der heißen Monate Freude an Ihrem Grill haben:

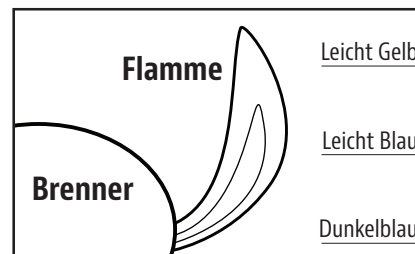
- Passen Sie Ihre Kochtemperatur nach unten an. Dadurch können Sie ein unerwünschtes Aufflammen vermeiden.
- Verwenden Sie ein Fleischthermometer, um die Kerntemperatur des Essens zu bestimmen. Dadurch können Sie das Fleisch vor zu langem Garen und Austrocknen bewahren.
- Sie können das Grillgut warm halten, indem Sie es in Folie wickeln und in einer isolierten Kühltasche aufbewahren. Stopfen Sie den Platz um die Folie mit zusammengeknüllter Zeitung aus und Ihr Essen wird 3 bis 4 Stunden warm bleiben.

## ERSTE VERWENDUNG – AUSBRENNEN DES PFANNENGRILLS

Es ist wichtig, dass Sie den Pfannengrill ausbrennen, bevor Sie zum ersten Mal Lebensmittel mit ihm zubereiten. Starten Sie den Pfannengrill und lassen Sie ihn mindestens 15 Minuten auf HIGH laufen, um das Gerät auszubrennen. Dadurch werden die inneren Bauteile „durch Hitze gereinigt“, Gerüche und Fremdstoffe beseitigt.

### BEFEUERUNGSVORGANG

1. Öffnen Sie den Deckel während des Zündens.
2. Stellen Sie alle Bedienknöpfe auf die Position O.
3. Öffnen Sie das Flaschen-/Gasventil gemäß der Betriebsanleitung auf dem Behälter.
4. Drücken und drehen Sie den Brennkontrollknopf gegen den Uhrzeigersinn auf „ (Anzündposition)“.
5. Drücken Sie den Knopf für den Anzünder, bis der Brenner zündet.
6. Wenn die Zündung nicht innerhalb von 5 Sekunden erfolgt, drehen Sie das Ventil auf O, warten Sie 5 Minuten und wiederholen Sie die Zündanweisungen. Beobachten Sie nach dem Anzünden die Brennerflamme. Stellen Sie sicher, dass alle Brennerlöcher angezündet sind und die Flammenhöhe der Abbildungsdarstellung entspricht.
7. Wenn die oben aufgeführten Punkte nicht weiterhelfen, befolgen Sie den **manuellen Anzündvorgang**.



**Wenn der Brenner während des Betriebs ausgeht, drehen Sie die Bedienknöpfe in die Position O (OFF). Warten Sie fünf Minuten, bevor Sie versuchen, das Gerät erneut anzuzünden, damit das angesammelte Gas entweichen kann.**

### VORGEHEN BEI ZÜNDUNGSFEHLER

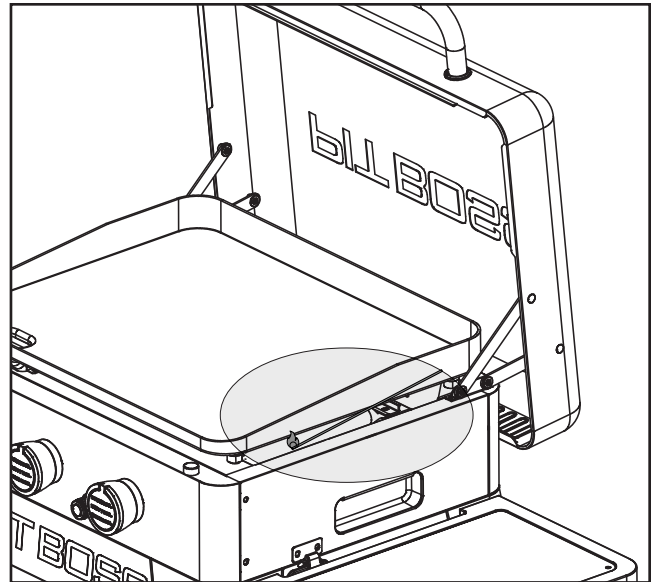
**Wenn der Anzünder nach drei oder vier Versuchen immer wieder versagt, gehen Sie die folgenden Schritte durch, oder starten Sie den Grill manuell.**

1. Stellen Sie sicher, dass die Bedienknöpfe auf die Position OFF gedreht sind. Lassen Sie das sich eventuell angesammelte Gas entweichen.
2. Nach fünf Minuten überprüfen Sie Folgendes:
  - Vergewissern Sie sich visuell, dass der Anzünder funktioniert, indem Sie den Anzünderknopf drücken. Sie sollten nun auf der Anzünderspitze einen Funken sehen. Wenn kein Funke zu sehen ist, stellen Sie den Abstand zwischen Anzünder-(Elektroden-)Spitze und Brenner auf 4,5 mm (3/16 Zoll) ein.
  - Schauen Sie nach, ob das Brennerrohr und die Zündlöcher nicht verstopft sind. Befolgen Sie die Pflege- und Wartungsanweisungen, falls diese verstopft sind.
3. Wenn die oben aufgeführten Punkte nicht weiterhelfen, befolgen Sie die Anweisungen zur Fehlerbehebung.

## MANUELLER ANZÜNDVORGANG

1. Öffnen Sie den Deckel während des Zündens.
2. Stellen Sie alle Bedienknöpfe auf die Position O.
3. Öffnen Sie das Flaschen-/Gasventil gemäß der Betriebsanleitung auf dem Behälter.
4. Zünden Sie den Brenner schnell und vorsichtig mit einem brennenden Streichholz oder einem Stabfeuerzeug an. Verschaffen Sie sich von der Unterseite der Grillplatte aus Zugang zum Brenner. Halten Sie das brennende Streichholz seitlich, nahe an den Brenner.

**ACHTUNG:** Versuchen Sie nicht, den Brenner an einer anderen Stelle anzuzünden. Sie könnten sich dadurch verletzen.



5. Drücken Sie den Brennerregler und drehen Sie ihn gegen den Uhrzeigersinn auf „🔥 (Anzündposition)“. Halten Sie dann den Knopf 10 Sekunden lang gedrückt, nachdem der Brenner gezündet wurde. Sie hören das „knackende“ Geräusch des Funkens, bis Sie den Knopf losgelassen haben.

**HINWEIS:** Verwenden Sie niemals Spiritus, Feuerzeugbenzin oder Kerosin, um das Feuer in Ihrem Pfannengrill zu entzünden oder anzufachen.

6. Wenn der Brenner nicht innerhalb von 5 Sekunden zündet, drehen Sie den Brennerregler auf O, warten Sie 5 Minuten und wiederholen Sie die Anzündanweisungen. Beobachten Sie nach dem Anzünden die Brennerflamme. Stellen Sie sicher, dass alle Brennerlöcher angezündet sind und die Flammenhöhe der im Vorangegangenen dargestellten Abbildung entspricht.

**HINWEIS:** Jeder Brenner entzündet sich einzeln – wiederholen Sie dieselben Schritt für die anderen Brenner.

**WARNUNG:** Beugen Sie sich beim Anzünden des Gaspfannengrills niemals über die Kochfläche. Bleiben Sie mit Ihrem Gesicht und Körper in einem sicheren Abstand (mindestens 457 mm/18 Zoll) zur Oberfläche des Grillrosts, wenn Sie den Pfannengrill mit einem Streichholz anzünden.

7. Wenn die oben aufgeführten Punkte nicht weiterhelfen, schlagen Sie in der **Fehlerbehebung** nach.

## DEN PFANNENGRILL AUSSTELLEN

1. Wenn Sie fertig garen sind, drehen Sie den Gasbehälter in die Position CLOSED, so dass der Reglerknopf herauskommt. Durch diese Sicherheitsfunktion wird der Reglerknopf verschlossen, so dass kein weiteres Gas ausströmt.
2. Drehen Sie die Bedienknöpfe in die Position O..

**HINWEIS:** Ein zischendes Geräusch ist normal, da das letzte LPG verbrannt wird.

3. Trennen Sie Gaszufuhr gemäß den Anweisungen zum **Trennen eines Gasbehälters**.

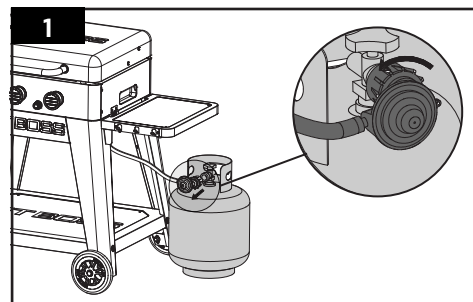
**ACHTUNG:** Lassen Sie den Pfannengrill vollständig abkühlen und entfernen Sie den Gasbehälter, bevor Sie ihn bewegen, transportieren oder lagern.

# DEN PFANNENGRILL VOM WAGEN HEBEN

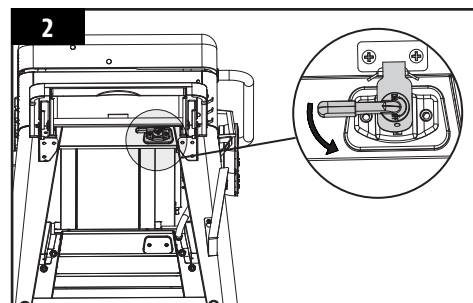
Wenn Sie einen Pfannengrill der Modellreihe PB2BPGG, PB3BPGG, PB4BPGG besitzen, können Sie diesen schnell und einfach zum Tailgating oder Transport vom Wagen heben. Führen Sie einfach die Montageanweisungen in umgekehrter Reihenfolge durch oder befolgen Sie die folgende Kurzfassung:

**WICHTIG: Vergewissern Sie sich immer, dass der Pfannengrill vollständig abgekühlt und von der Gasversorgung getrennt ist sowie der Fettbehälter entfernt wurde.**

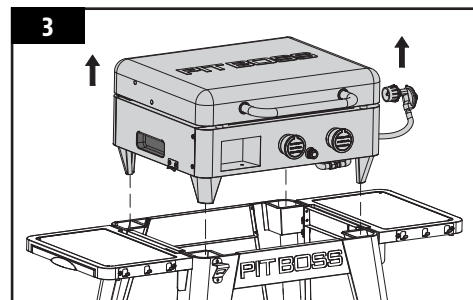
1. Trennen Sie das Gerät von der Gasversorgung. Lösen Sie die Druckreglereinheit vom Behälterventil, indem Sie die Schnellkupplungsmutter gegen den Uhrzeigersinn drehen.



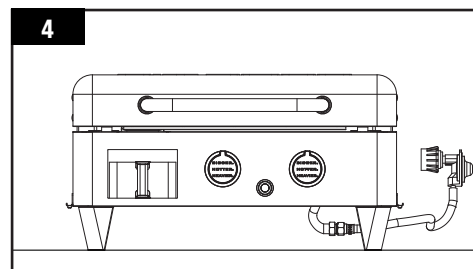
2. Drehen Sie den Riegel (einer auf jeder Seite), um die Arretierung des Feuerkastens auf dem Wagen zu lösen.



3. Heben Sie den Pfannengrill mit zwei Personen vorsichtig vom Wagen ab, indem Sie die Griffaussparungen auf jeder Seite benutzen. Achten Sie beim Anheben besonders auf den Regler und die Schläuche.



4. Stellen Sie den Feuerkasten sofort auf den Boden oder an den gewünschten Ort, um Verletzungen oder Schäden am Gerät zu vermeiden..



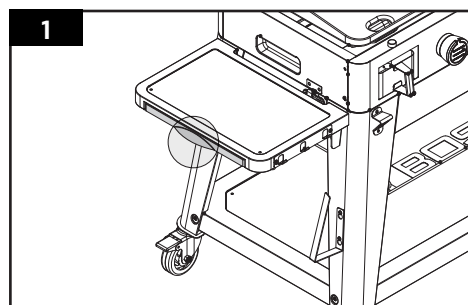


# VERWENDEN DES MÜLLBEUTELHALTERS

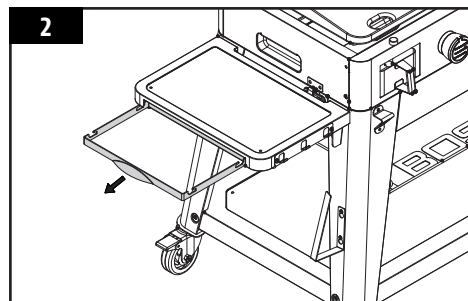
Das Müllsammeln war noch nie so einfach wie mit dem Müllbeutelhalter. Dieses Edelstahlgestell, das sich unter der linken Seitenablage befindet, ist leicht zu reinigen und funktioniert mit einem Standard-Plastikbeutel normaler Größe, typischerweise mit einem Volumen von etwa 10-20 Litern (2,5-5 Gallonen). Das Gestell ist außerdem so konzipiert, dass es die meisten Standard-Müllbeutel (mit oder ohne Griffe) mit einem Volumen von bis zu 60 Litern (16 Gallonen) aufnehmen kann.

**WICHTIG: Achten Sie darauf, wie viel Gewicht auf dem Müllbeutelhalter lastet. Wechseln Sie den Beutel häufig, um die Integrität der Struktur und der Komponenten des Müllbeutelhalters nicht zu beeinträchtigen.**

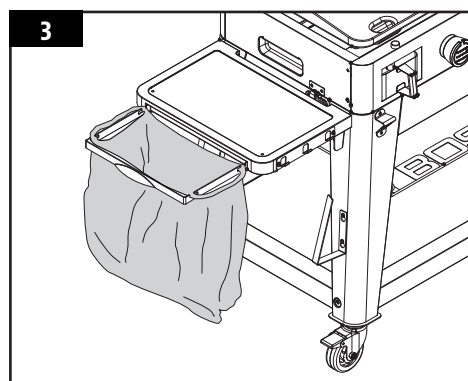
1. Suchen Sie den Griff des Müllbeutelhalters an der linken Seitenablage.



2. Ziehen Sie den Müllbeutelhalter heraus, um die Gestellhalterungen freizulegen.



3. Hängen Sie einen Plastikbeutel oder einen Standard-Müllbeutel in den Müllbeutelhalter ein. Nehmen Sie die Griffe einer Einkaufsstütze und schlingen Sie sie um die Gestellhalterungen, oder schlingen Sie den Müllbeutel um drei Seiten des Gestells, damit er nicht verrutscht.



# PFLEGE UND WARTUNG

## KONTROLLE DES GASFÜLLSTANDS

Für die Kontrolle der Brennstoffmenge im LPG-Gasbehälter muss der Grill in Betrieb sein. Legen Sie Ihre Hand oben auf den Gasbehälter und fahren Sie langsam an der Seite nach unten, bis sich der Behälter kalt anfühlt. Dies zeigt Ihnen die ungefähre Restmenge in Ihrem Gasbehälter an. Wenn er zu drei Vierteln leer ist, tauschen Sie ihn gegen einen vollen Gasbehälter aus.

**WICHTIG: Verwenden Sie keine Holzkohlebriketts oder anderen brennbaren Materialien für den Grill. Eine Verwendung dieser Materialien führt zum Erlöschen der Garantie und kann einen Brand, eine Explosion und Verletzungen verursachen.**

## REINIGUNGSHÄUFIGKEIT

Jedes Pit Boss®-Gerät bietet Ihnen viele Jahre geschmacksintensiven Betriebs bei minimalem Reinigungsaufwand. Befolgen Sie die Pflege- und Wartungstipps, um den Grill zu warten:

### 1. BRENNERKOMPONENTEN

- Reinigen Sie den Brenner, wenn sich starke Ablagerungen gebildet haben, um sicherzugehen, dass nichts auf dem Brennerrohr oder in den Zündlöchern des Brenners auf eine Blockierung (Verschmutzungen, Insekten) hinweist. Bei längerer Lagerung können Spinnen oder kleine Insekten Nester, Netze und Eier im Brennerrohr anbringen und so den Gasfluss zum Brenner behindern. Ein verstopftes Brennerrohr kann zu einem Brand unter dem Gerät führen. Bevor Sie den Grill einlagern oder für einen längeren Zeitraum nicht nutzen, entfernen Sie den Brenner und wickeln Sie ihn in Aluminiumfolie, um das Risiko zu verringern, dass Insekten durch die Zündlöcher eindringen.
- Der Brenner ist für eine optimale Flammleistung voreingestellt. Eine blaue Flamme, möglicherweise mit einer gelben Spitze, ist das Resultat einer optimalen Luft- und Gasmischung. Wenn Flammen übermäßig gelb, orange oder unregelmäßig sind, reinigen Sie die Oberfläche und Zündlöcher des Brenners von Öl- und Lebensmittelrückständen, um die Luftzufuhr zu verbessern.

### 2. KOCHKOMPONENTEN

- Die Hot Plate Ihrer Grillplatte ist keramikbeschichtet. Die besten Utensilien sind Holz, Silikon oder Nylon, da diese Materialien die Abnutzung der Kochfläche verringern.
- Das Gerät wird werkseitig vorgewürzt geliefert, aber es ist wichtig, die Kochplatte nach jedem Gebrauch zu reinigen und zu würzen, um Rost zu vermeiden, die Lebensdauer Ihrer Grillplatte zu verlängern und eine antihafbeschichtete Kochfläche zu schaffen. Das Würzen der Grillplatte ist ein kontinuierlicher Prozess, der während der gesamten Lebensdauer Ihrer Grillplatte wiederholt werden muss, um das beste Kocherlebnis und die längste Nutzungsdauer zu gewährleisten.
  1. Reinigen Sie die Grillplatte nach jedem Gebrauch mit einem Spatel oder Schaber, um alle Lebensmittel und Rückstände zu entfernen.
  2. Tragen Sie großzügig eine gleichmäßige Schicht Speiseöl auf die Kochfläche auf. Pflanzen-, Oliven-, Erdnuss-, Kokos- und Sesamöle eignen sich zum Würzen Ihrer Grillplatte.
  3. An einem kühlen, trockenen Ort abkühlen lassen.

### 3. GRILLPLATTE AUSSEN

- Alle Schrauben und Bolzen sollten regelmäßig überprüft werden. Ziehen Sie sie gegebenenfalls nach.
- Verwenden Sie eine Grillabdeckung, um dem Grill einen Rundumschutz zu geben! Eine Abdeckung ist der beste Schutz gegen das Wetter und äußere Verunreinigungen. Wenn Sie den Grill nicht in Gebrauch haben oder er längere Zeit gelagert werden soll, stellen Sie ihn ohne Gasbehälter (muss im Außenbereich gelagert werden) abgedeckt in einer Garage oder einem Schuppen unter.

## ÜBERSICHT REINIGUNGSPLAN (NORMALER GEBRAUCH)

| ELEMENT                 | REINIGUNGSHÄUFIGKEIT | REINIGUNGSMETHODE   |
|-------------------------|----------------------|---|
| Grillplatte             | Nach jedem Einsatz   | Rückstände abbrennen, mit Scheuerschwamm & Seifenlauge reinigen, mit Speiseöl einreiben |
| Fettwanne               | Nach jedem Einsatz   | Leeren, Scheuerschwamm und Seifenwasser   |
| Brennerrohr, Zündlöcher | Nach 5–6 Einsätzen   | Abstauben, Scheuerschwamm und Seifenwasser  |
| Brenner                 | Nach 5–6 Einsätzen   | Scheuerschwamm und Seifenwasser   |
| Wagen                   | Bei Bedarf           | Nicht scheuerndes Tuch und Seifenwasser   |

## TIPPS UND TECHNIKEN

Lesen Sie diese hilfreichen Tipps und Techniken, die wir von Pit Boss®-Besitzern, unseren Mitarbeitern und Kunden wie Ihnen zusammengetragen haben, um Ihren Grill besser kennenzulernen:

### 1. LEBENSMITTELSICHERHEIT

- Halten Sie die Küche und den Garbereich sauber. Verwenden Sie andere Platten und Küchenutensilien für das gegarte Fleisch als die, die Sie für die Vorbereitung und den Transport des rohen Fleisches zum Grill benutzt haben. Das verhindert eine Übertragung von Bakterien. Jede Marinade oder Baste sollte ihre eigenen Utensilien haben.
- Halten Sie heiße Lebensmittel heiß (über 60 °C / 140 °F) und kalte Lebensmittel kalt (unter 3 °C / 37 °F). Gekochte Speisen sollten nicht länger als eine Stunde in der Hitze stehen. Lassen Sie heiße Speisen nicht länger als zwei Stunden außerhalb des Kühlschranks stehen.
- Eine Marinade sollte niemals für den späteren Gebrauch aufbewahrt werden. Wenn Sie sie mit dem Fleisch servieren möchten, achten Sie darauf, sie vor dem Servieren aufzukochen.
- Marinieren und tauen Sie Fleisch im Kühlschrank auf. Fleisch sollte nicht bei Zimmertemperatur oder auf der Arbeitsfläche aufgetaut werden. Bakterien können wachsen und sich in den warmen feuchten Lebensmitteln schnell vermehren. Waschen Sie ihre Hände sorgfältig mit heißem Wasser und Seife, bevor Sie mit den Essensvorbereitungen beginnen, sowie nachdem Sie frisches Fleisch, Fisch und Geflügel angefasst haben.

### 2. GARVORBEREITUNGEN

- Seien Sie vorbereitet oder **Mise en Place**. Das bezieht sich auf das Vorbereiten des Kochrezepts, Brennstoffs, Zubehörs, der Kochutensilien und aller Zutaten, die Sie am Grill benötigen, bevor Sie mit dem Garen beginnen. Lesen Sie ebenfalls das Rezept vollständig durch, bevor Sie den Grill anzünden.
- Eine Bodenmatte für den Grill ist sehr nützlich. Bei Missgeschicken im Umgang mit dem Grillgut und Bratspritzern würde eine Bodenmatte für den Grill den Terrassen- oder Verandaboden beziehungsweise die Bodenplatten vor möglichen Fettflecken und versehentlichem Klecksen schützen.

### 3. GAR-TIPPS UND -TECHNIKEN

- Verwenden Sie immer einen Fleischtemperaturfühler, um die Kerntemperatur des Grillguts, das Sie zubereiten, zu bestimmen. Es ist ratsam, das fertige Essen auf eine vorgewärmte Servierplatte zu legen, sodass das Essen warm bleibt. Bei rotem Fleisch wie Steak oder Braten ist es gut, es vor dem Servieren einige Minuten ruhen zu lassen. Dadurch wandert der Fleischsaft, der durch die Hitze an die Oberfläche gestiegen war, zurück in die Mitte des Fleisches und das Fleisch ist aromatischer im Geschmack.
- Zuckerbasierte Soßen werden am besten gegen Ende der Garzeit aufgetragen, um ein Verbrennen und Aufblähen zu vermeiden.
- Verwenden Sie eine Grillzange zum Wenden des Fleisches und einen Pfannenwender für Burgerfleisch und Fisch. Wenn Sie dafür spitzes Kochbesteck wie eine Gabel nehmen, wird das Fleisch angestochen und der Fleischsaft tritt aus.

# FEHLERBEHEBUNG

Die richtige Reinigung und Wartung verhindert häufige Betriebsprobleme. Wenn Ihr Grill schlecht brennt oder selten gebraucht wird, sind möglicherweise die folgenden Tipps zum Beheben von Problemen hilfreich. Für FAQs besuchen Sie [www.pitboss-grills.com](http://www.pitboss-grills.com). Sie können sich für Hilfe ebenfalls an Ihren Händler vor Ort oder den Kundendienst wenden.

**WARNUNG: Stellen Sie immer sicher, dass der Grill komplett abgekühlt ist, um Verletzungen zu vermeiden.**

| PROBLEM                                | URSACHE                                    | LÖSUNG  |
|--|--|---|
| Brenner lässt sich nicht anzünden      | Das Zündkabel ist kaputt                   | Wenden Sie sich für Hilfe oder ein Ersatzteil an den Kundendienst.  |
|  | Kein Zündfunke an der Elektrode            | Stellen Sie die Elektrode ein. Wenden Sie sich für Hilfe oder ein Ersatzteil an den Kundendienst.   |
|  | Keine Gaszufuhr                            | Überprüfen Sie das Reglerventil. Überprüfen Sie die Verbindung auf Leckage.   |
| Fettbrand / häufiges Aufflammen        | Grillen von fettem Fleisch                 | Grillen Sie fettiges Fleisch, wenn die Garfläche kalt ist und die Bedienknöpfe auf LOW stehen.  |
|  | Gartemperatur                              | Versuchen Sie, bei einer niedrigeren Temperatur zu grillen. Fett hat einen Flammpunkt. Halten Sie die Temperatur unter 176 °C / 350 °F, wenn Sie stark fetthaltiges Grillgut garen.   |
|  | Wasser auf Gasflammen gesprüht             | Sprühen Sie kein Wasser auf die Gasflammen.   |
| Brenner geht aus                       | Kein Gasfluss                              | Überprüfen Sie, dass der Gasanschluss offen ist. Tauschen Sie den Gasbehälter aus, wenn er leer ist.  |
|  | Windstöße oder starker Wind                | Drehen Sie den Grill weg vom Wind oder erhöhen Sie die Flammenhöhe.   |
| Geringe Hitze bei HIGH                 | Löcher blockiert                           | Befreien Sie die Löcher von Hindernissen.   |
|  | Gasbehälter leer                           | Füllen Sie den Gasbehälter auf.   |
| Gasleck                                | Unsachgemäße Montage                       | Drehen Sie den Reglerknopf in die Position OFF, so dass der Reglerknopf herauskommt. Entfernen Sie den Gasbehälter. Verbinden Sie ihn erneut und schrauben Sie ihn fest. Führen Sie eine Dichtheitsprüfung durch, um eine ordnungsgemäße Abdichtung sicherzustellen. Ersetzen Sie den Gasbehälter, falls er beschädigt ist. |
|  | Dichtungsversagen                          | Der Gasbehälter ist korrodiert, verrostet oder wurde fehlerhaft gehandhabt. Ersetzen Sie den Gasbehälter.   |
|  | Reglerversagen                             | Der Regler muss ausgetauscht werden. Kontaktieren Sie den Kundendienst für Ersatzteile.   |
| Die Brennerflamme ist gelb oder orange | Unzureichende Luftströmung                 | Überprüfen Sie das Brennerrohr und die Brenneröffnungen auf Spinnweben oder andere Hindernisse. Befolgen Sie die <b>Pflege- und Wartungsanweisungen</b> zur Reinigung des Brennerrohrs.   |
|  | Blockierter Brenner                        |   |
|  | Die Fettauffangschale ist voll, läuft über | Leeren Sie die Fettauffangschale und platzieren Sie sie wieder im Gerät. Befolgen Sie die <b>Pflege- und Wartungsanweisungen</b> .  |
|  | Das Reglerventil ist ausgeschaltet         | Überprüfen Sie die Verbindung des Reglerventils zum Gasbehälter. Entfernen Sie es und bringen Sie es erneut an. Führen Sie eine Dichtheitsprüfung durch.  |
|  | Der Brenner ist verschmutzt                | Drehen Sie den Bedienknopf für fünf Minuten auf HIGH und brennen Sie das Gerät aus. Befolgen Sie die <b>Pflege- und Wartungsanweisungen</b> .   |

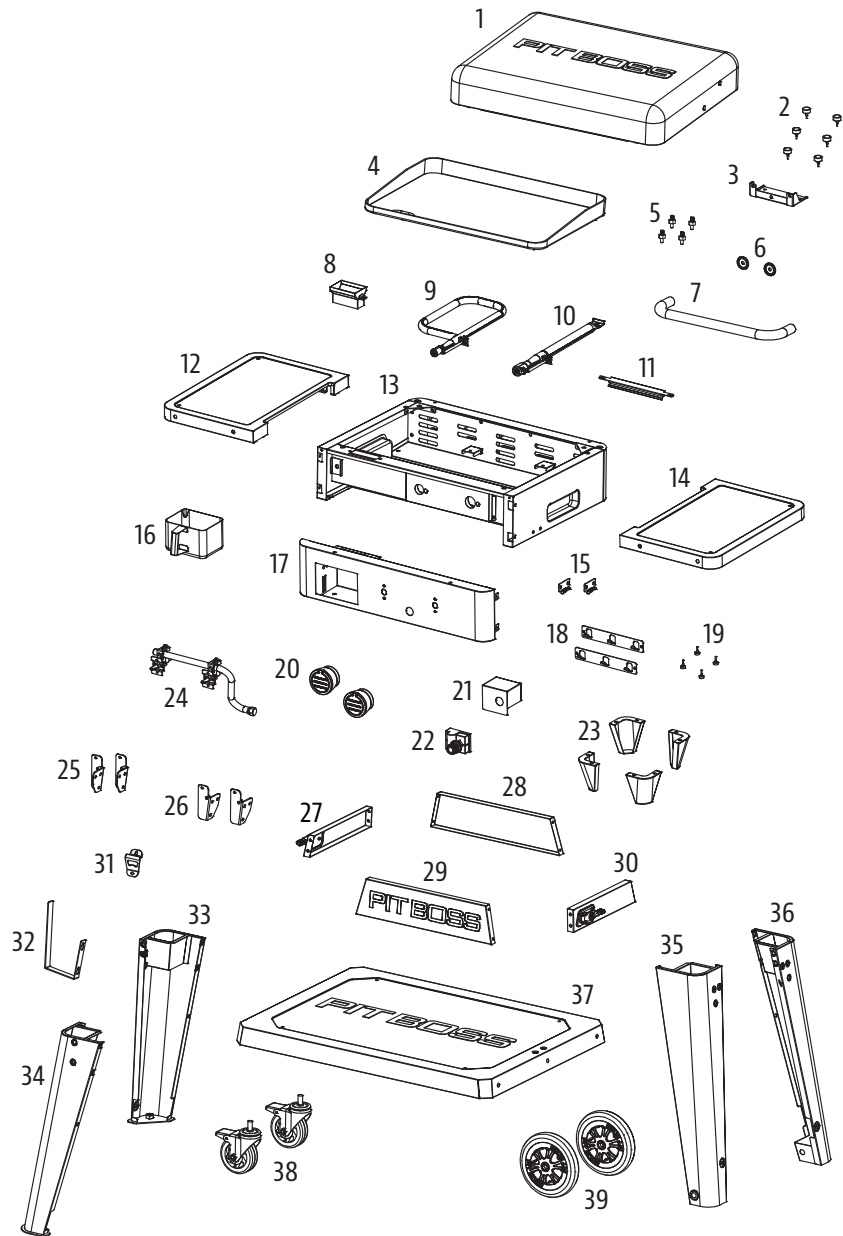
DE  
DEUTSCHE

# ERSATZTEILE

## PB2BGD2

| Teil | Beschreibung                            |
|------|---|
| 1    | Deckel (x1)                             |
| 2    | Gummiteile für Deckelhalterung (x6)     |
| 3    | Deckelhalterung (x1)                    |
| 4    | Grillplatte (x1)                        |
| 5    | Beinschrauben für Grillplatte (x4)      |
| 6    | Einbauring für Deckelgriff (x2)         |
| 7    | Deckelgriff (x1)                        |
| 8    | Fettauslauf (x1)                        |
| 9    | P-Brenner (x1)                          |
| 10   | Rechter Brenner (x1)                    |
| 11   | Crossover-Brenner (x1)                  |
| 12   | Seitliche Ablage, links (x1)            |
| 13   | Feuerkasteneinheit (x1)                 |
| 14   | Seitliche Ablage, rechts (x1)           |
| 15   | Verriegelungshaken (x2)                 |
| 16   | Fettbehälter (x1)                       |
| 17   | Steuerpanel für Feuerkasten (x1)        |
| 18   | Hakenleiste für seitliches Regal (x2)   |
| 19   | Gummiteile für seitliche Ablage (x4)    |
| 20   | Bedienknopf (x2)                        |
| 21   | Hitzeschutz für Anzünder (x1)           |
| 22   | Anzünder (x1)                           |
| 23   | FüÙe für Feuerkasten (x4)               |
| 24   | Ventileinheit (x1)                      |
| 25   | Halterung der Seitenablage, links (x2)  |
| 26   | Halterung der Seitenablage, rechts (x2) |
| 27   | Wagenseite, links (x1)                  |
| 28   | Wagenrückseite (x1)                     |
| 29   | Wagenvorderseite (x1)                   |
| 30   | Wagenseite, rechts (x1)                 |
| 31   | Flaschenöffner (x1)                     |
| 32   | Küchenrollenhalter (x1)                 |
| 33   | Stützbein für Feststellrad, hinten (x1) |
| 34   | Stützbein für Feststellrad, vorne (x1)  |
| 35   | Stützbein für Rolle, vorne (x1)         |
| 36   | Stützbein für Rolle, hinten (x1)        |
| 37   | Untere Ablage (x1)                      |
| 38   | Feststellrolle (x2)                     |
| 39   | Rolle (x2)                              |

| Teil | Beschreibung            |
|------|-------------------------|
| A    | Schraube (x37)          |
| B    | Unterlegscheibe (x16)   |
| C    | Sicherungsscheibe (x16) |
| D    | Schraube (x4)           |
| E    | Radsteckerstift (x2)    |
| F    | Radunterlegscheibe (x2) |
| G    | Radachsenbolzen (x2)    |
| H    | Batterie (x1)           |



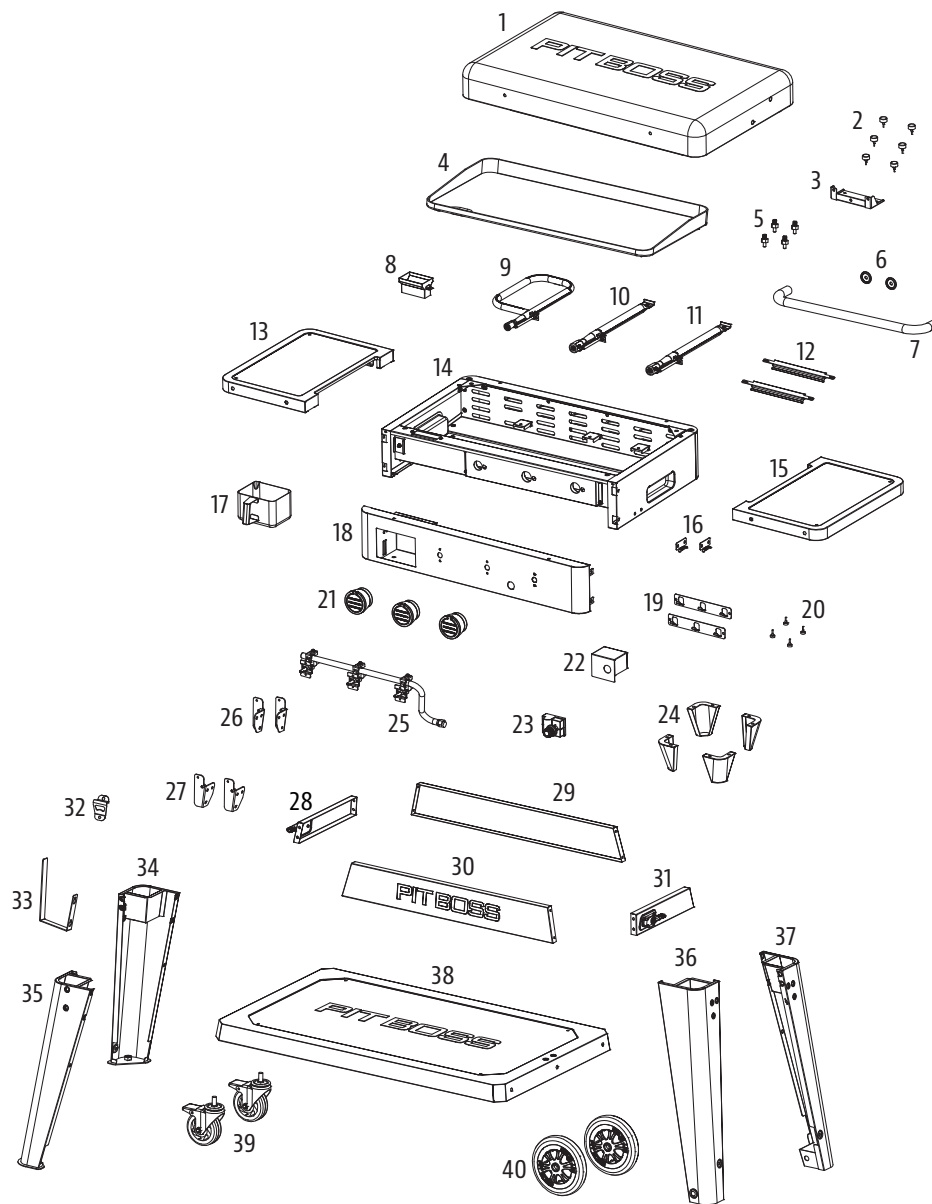
DE  
DEUTSCHE

HINWEIS: Aufgrund der kontinuierlichen Produktweiterentwicklung können Teile ohne Ankündigung geändert werden. Wenden Sie sich an den Kundendienst, falls bei der Montage des Geräts Teile fehlen sollten.

# PB3BGD2

| Teil | Beschreibung                            |
|------|---|
| 1    | Deckel (x1)                             |
| 2    | Gummitteile für Deckelhalterung (x6)    |
| 3    | Deckelhalterung (x1)                    |
| 4    | Grillplatte (x1)                        |
| 5    | Beinschrauben für Grillplatte (x4)      |
| 6    | Einbauring für Deckelgriff (x2)         |
| 7    | Deckelgriff (x1)                        |
| 8    | Fettauslauf (x1)                        |
| 9    | P-Brenner (x1)                          |
| 10   | Mittlerer Brenner (x1)                  |
| 11   | Rechter Brenner (x1)                    |
| 12   | Crossover-Brenner (x2)                  |
| 13   | Seitliche Ablage, links (x1)            |
| 14   | Feuerkasteneinheit (x1)                 |
| 15   | Seitliche Ablage, rechts (x1)           |
| 16   | Verriegelungshaken (x2)                 |
| 17   | Fettbehälter (x1)                       |
| 18   | Steuerpanel für Feuerkasten (x1)        |
| 19   | Hakenleiste für seitliches Regal (x2)   |
| 20   | Gummitteile für seitliche Ablage (x4)   |
| 21   | Bedienknopf (x3)                        |
| 22   | Hitzeschutz für Anzünder (x1)           |
| 23   | Anzünder (x1)                           |
| 24   | Füße für Feuerkasten (x4)               |
| 25   | Ventileinheit (x1)                      |
| 26   | Halterung der Seitenablage, links (x2)  |
| 27   | Halterung der Seitenablage, rechts (x2) |
| 28   | Wagenseite, links (x1)                  |
| 29   | Wagenrückseite (x1)                     |
| 30   | Wagenvorderseite (x1)                   |
| 31   | Wagenseite, rechts (x1)                 |
| 32   | Flaschenöffner (x1)                     |
| 33   | Küchenrollenhalter (x1)                 |
| 34   | Stützbein für Feststellrad, hinten (x1) |
| 35   | Stützbein für Feststellrad, vorne (x1)  |
| 36   | Stützbein für Rolle, vorne (x1)         |
| 37   | Stützbein für Rolle, hinten (x1)        |
| 38   | Untere Ablage (x1)                      |
| 39   | Feststellrolle (x2)                     |
| 40   | Rolle (x2)                              |

| Teil | Beschreibung            |
|------|-------------------------|
| A    | Schraube (x37)          |
| B    | Unterlegscheibe (x16)   |
| C    | Sicherungsscheibe (x16) |
| D    | Schraube (x4)           |
| E    | Radsteckerstift (x2)    |
| F    | Radunterlegscheibe (x2) |
| G    | Radachsenbolzen (x2)    |
| H    | Batterie (x1)           |

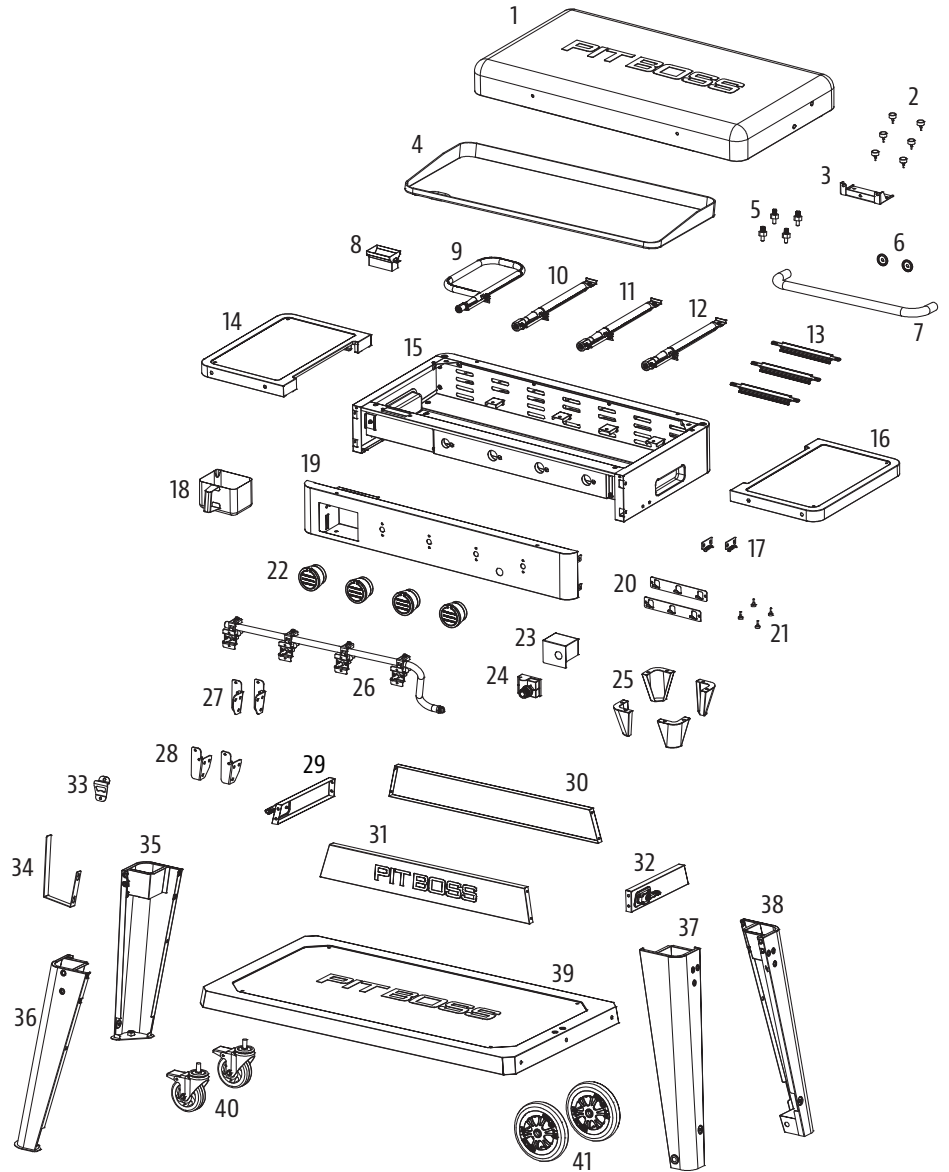


HINWEIS: Aufgrund der kontinuierlichen Produktweiterentwicklung können Teile ohne Ankündigung geändert werden. Wenden Sie sich an den Kundendienst, falls bei der Montage des Geräts Teile fehlen sollten.

# PB4BGD2

| Teil | Beschreibung                            |
|------|---|
| 1    | Deckel (x1)                             |
| 2    | Gummitteile für Deckelhalterung (x6)    |
| 3    | Deckelhalterung (x1)                    |
| 4    | Grillplatte (x1)                        |
| 5    | Beinschrauben für Grillplatte (x4)      |
| 6    | Einbauring für Deckelgriff (x2)         |
| 7    | Deckelgriff (x1)                        |
| 8    | Fettauslauf (x1)                        |
| 9    | P-Brenner (x1)                          |
| 10   | Linker Brenner (x1)                     |
| 11   | Mittlerer Brenner (x1)                  |
| 12   | Rechter Brenner (x1)                    |
| 13   | Crossover-Brenner (x3)                  |
| 14   | Seitliche Ablage, links (x1)            |
| 15   | Feuerkasteneinheit (x1)                 |
| 16   | Seitliche Ablage, rechts (x1)           |
| 17   | Verriegelungshaken (x2)                 |
| 18   | Fettbehälter (x1)                       |
| 19   | Steuerpanel für Feuerkasten (x1)        |
| 20   | Hakenleiste für seitliches Regal (x2)   |
| 21   | Gummitteile für seitliche Ablage (x4)   |
| 22   | Bedienknopf (x4)                        |
| 23   | Hitzeschutz für Anzünder (x1)           |
| 24   | Anzünder (x1)                           |
| 25   | Füße für Feuerkasten (x4)               |
| 26   | Ventileinheit (x1)                      |
| 27   | Halterung der Seitenablage, links (x2)  |
| 28   | Halterung der Seitenablage, rechts (x2) |
| 29   | Wagenseite, links (x1)                  |
| 30   | Wagenrückseite (x1)                     |
| 31   | Wagenvorderseite (x1)                   |
| 32   | Wagenseite, rechts (x1)                 |
| 33   | Flaschenöffner (x1)                     |
| 34   | Küchenrollenhalter (x1)                 |
| 35   | Stützbein für Feststellrad, hinten (x1) |
| 36   | Stützbein für Feststellrad, vorne (x1)  |
| 37   | Stützbein für Rolle, vorne (x1)         |
| 38   | Stützbein für Rolle, hinten (x1)        |
| 39   | Untere Ablage (x1)                      |
| 40   | Feststellrolle (x2)                     |
| 41   | Rolle (x2)                              |

| Teil | Beschreibung            |
|------|-------------------------|
| A    | Schraube (x37)          |
| B    | Unterlegscheibe (x16)   |
| C    | Sicherungsscheibe (x16) |
| D    | Schraube (x4)           |
| E    | Radsteckerstift (x2)    |
| F    | Radunterlegscheibe (x2) |
| G    | Radachsenbolzen (x2)    |
| H    | Batterie (x1)           |

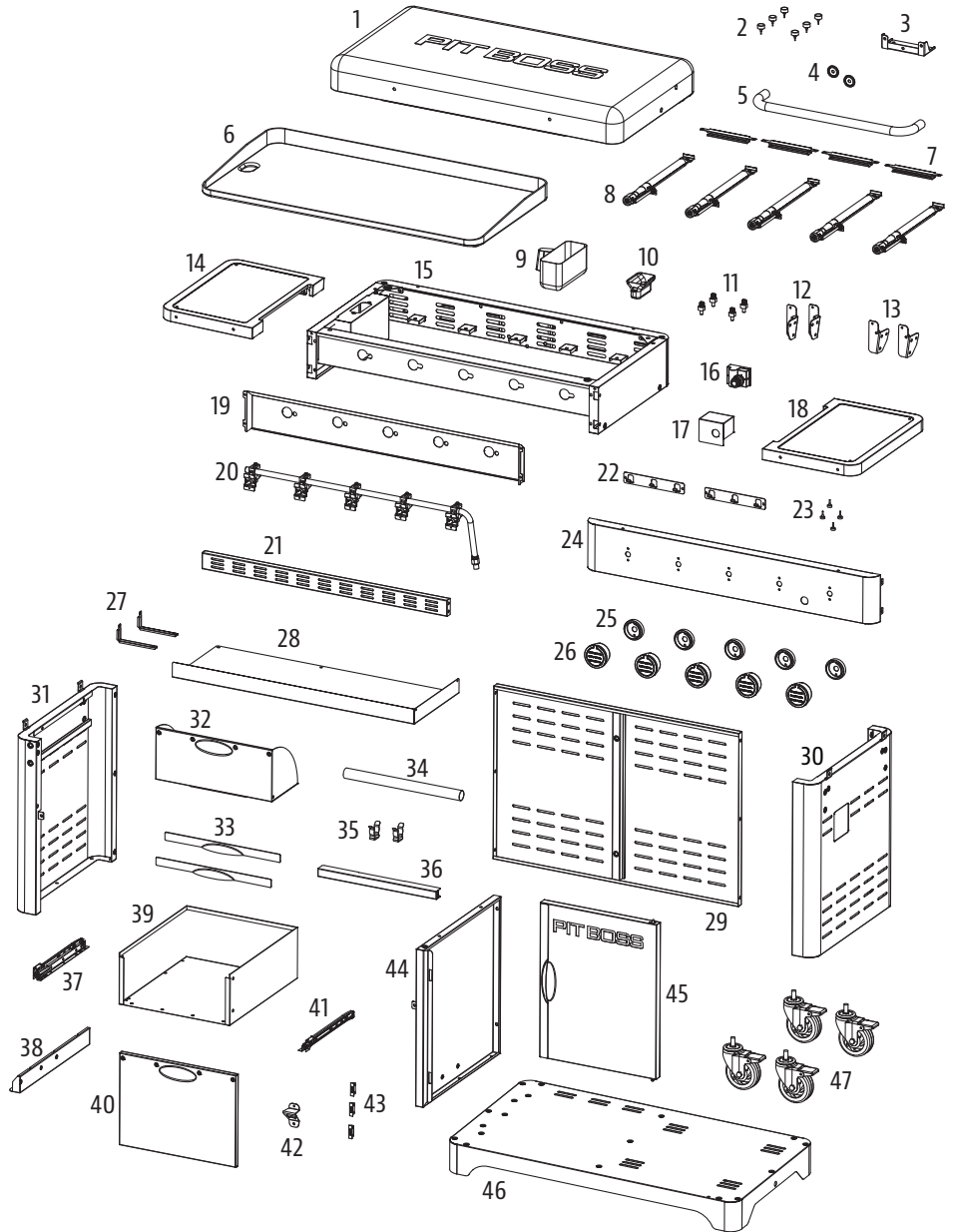
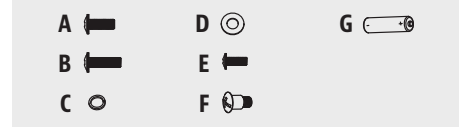


HINWEIS: Aufgrund der kontinuierlichen Produktweiterentwicklung können Teile ohne Ankündigung geändert werden. Wenden Sie sich an den Kundendienst, falls bei der Montage des Geräts Teile fehlen sollten.

# PB5BGD2

| Teil | Beschreibung                            |
|------|---|
| 1    | Deckel (x1)                             |
| 2    | Gummiteile für Deckelhalterung (x6)     |
| 3    | Deckelhalterung (x1)                    |
| 4    | Einbauring für Deckelgriff (x2)         |
| 5    | Deckelgriff (x1)                        |
| 6    | Grillplatte (x1)                        |
| 7    | Crossover-Brenner (x4)                  |
| 8    | Brenner (x5)                            |
| 9    | Fettbehälter (x1)                       |
| 10   | Fettauslauf (x1)                        |
| 11   | Beinschrauben für Grillplatte (x4)      |
| 12   | Halterung der Seitenablage, links (x2)  |
| 13   | Halterung der Seitenablage, rechts (x2) |
| 14   | Seitliche Ablage, links (x1)            |
| 15   | Feuerkasteneinheit (x1)                 |
| 16   | Anzünder (x1)                           |
| 17   | Hitzeschutz für Anzünder (x1)           |
| 18   | Seitliche Ablage, rechts (x1)           |
| 19   | Vorderseite Hitzeschutz (x1)            |
| 20   | Ventileinheit (x1)                      |
| 21   | Wagenvorderseite (x1)                   |
| 22   | Hakenleiste für seitliches Regal (x2)   |
| 23   | Gummiteile für seitliche Ablage (x4)    |
| 24   | Steuerpanel für Feuerkasten (x1)        |
| 25   | Bedienknopfsockel (x5)                  |
| 26   | Bedienknopf (x5)                        |
| 27   | Hitzeschutzhalterung (x2)               |
| 28   | Hitzeschutzplatte (x1)                  |
| 29   | Wagenrückseite (x1)                     |
| 30   | Wagenseite, rechts (x1)                 |
| 31   | Wagenseite, links (x1)                  |
| 32   | Schwenkbare Schublade (x1)              |
| 33   | Schubladengriff (x2)                    |
| 34   | Papierhandtuchstange (x1)               |
| 35   | Arretierung (x2)                        |
| 36   | Schubladenthaltestange (x1)             |
| 37   | Schubladenschiene, links (x1)           |
| 38   | Schienenhalterung (x1)                  |
| 39   | Schublade (x1)                          |
| 40   | Schubladenfront (x1)                    |
| 41   | Schubladenschiene, rechts (x1)          |
| 42   | Flaschenöffner (x1)                     |
| 43   | Magnetverschluss (x3)                   |
| 44   | Wagentrennwand (x1)                     |
| 45   | Schranktür (x1)                         |
| 46   | Wagenboden (x1)                         |
| 47   | Feststellrolle (x4)                     |

| Teil | Beschreibung            |
|------|-------------------------|
| A    | Schraube (x54)          |
| B    | Schraube (x2)           |
| C    | Sicherungsscheibe (x14) |
| D    | Unterlegscheibe (x14)   |
| E    | Schraube (x14)          |
| F    | Schraube (x6)           |
| G    | Batterie (x1)           |



HINWEIS: Aufgrund der kontinuierlichen Produktweiterentwicklung können Teile ohne Ankündigung geändert werden. Wenden Sie sich an den Kundendienst, falls bei der Montage des Geräts Teile fehlen sollten.



# GARANTIE

## BEDINGUNGEN

Alle Pfannengrills von Pit Boss® Grills, hergestellt von Dansons, verfügen über eine beschränkte Garantie ab dem Datum des Kaufs durch den Erstbesitzer. Die Garantie beginnt mit dem tatsächlichen Kaufdatum. Der Nachweis des Kaufdatums oder eine Kopie der Originalrechnung sind notwendig, um die Garantieansprüche zu belegen. Kunden haben die Kosten für Teile, den Versand und die Bearbeitung selbst zu tragen, wenn sie keinen Kaufnachweis vorlegen können oder die Garantie abgelaufen ist. Dansons bietet auf alle Teile eine zweijährige (2-jährige) Garantie für Mängel und Verarbeitungsfehler. Dansons garantiert für die Nutzungs- und Eigentumsdauer des Erstkäufers, dass alle Teile frei von Material- und Verarbeitungsfehlern sind. Die Garantie deckt keine Schäden aufgrund von Verschleiß ab, zum Beispiel Kratzer, Dellen, Beulen, Absplitterungen oder geringfügige kosmetische Risse. Diese optischen Veränderungen des Pfannengrills haben keinen Einfluss auf seine Leistung. Die Reparatur oder der Ersatz jeglicher Teile verlängert den beschränkten Garantiezeitraum nicht über die zwei (2) Jahre ab Kaufdatum hinaus.

Für die Dauer der Garantie beschränkt sich Dansons Verpflichtung auf die Bereitstellung eines Ersatzes für fehlerhafte und/oder defekte Komponenten. Innerhalb des Garantiezeitraums berechnet Dansons keine Gebühren für die Reparatur oder den Ersatz von eingesendeten Teilen (bei vorausbezahlem Versand), wenn sich bei der Überprüfung durch Dansons herausstellt, dass die Teile fehlerhaft sind. Dansons haftet nicht für Versandgebühren, Arbeitskosten oder Ausfuhrzölle. Soweit in den Garantiebedingungen nichts Anderes festgelegt wurde, erfüllt die Reparatur oder der Ersatz der Teile in der Art und für die Dauer, die im Vorausgegangen genannt wurden, alle direkten und abgeleiteten Verbindlichkeiten und Verpflichtungen, die Dansons Ihnen gegenüber hat. Dansons ergreift alle Vorsichtsmaßnahmen und verwendet Materialien, die rosthemmend sind. Trotz dieser Sicherheitsmaßnahmen können die schützenden Beschichtungen durch verschiedenste Substanzen und Umstände, auf die Dansons keinen Einfluss hat, beschädigt werden. Hohe Temperaturen, zu hohe Feuchtigkeit, Chlor, industrielle Dämpfe, Düngemittel, Pflanzenschutzmittel für den Rasen und Salz sind einige der Substanzen, die Metallbeschichtungen angreifen können. Aus diesen Gründen erstreckt sich die Garantie nicht auf Rosten oder Oxidieren, es sei denn, die strukturelle Integrität der Komponenten des Pfannengrills geht verloren. Sollte einer der oben genannten Fälle eintreten, lesen Sie im Abschnitt Pflege und Wartung nach, wie die Lebensdauer Ihres Geräts verlängert werden kann. Dansons empfiehlt die Verwendung einer Abdeckung, wenn der Pfannengrill nicht in Gebrauch ist.

Diese Garantie basiert auf dem normalen häuslichen Gebrauch und einer normalen Wartung des Pfannengrills. Für einen Pfannengrill, der für kommerzielle Zwecke verwendet wird, gilt keine der Garantieleistungen.

## AUSNAHMEN

Es gibt keine schriftliche oder implizite Leistungsgarantie für Grillprodukte von Pit Boss®, da der Hersteller keine Kontrolle über Installation, Betrieb, Reinigung, Wartung oder Art des verwendeten Brennstoffs hat. Diese Garantie hat keine Gültigkeit und Dansons wird keine Verantwortung übernehmen, wenn Ihr Gerät nicht streng gemäß diesem Benutzerhandbuch montiert, betrieben, gesäubert und gewartet wurde. Jede Verwendung von Gas, die nicht in diesem Handbuch beschrieben wird, kann den Verfall der Garantie nach sich ziehen. Die Garantie umfasst keine Bruchschäden oder Schäden aufgrund von Missbrauch, falscher Handhabung oder Modifizierungen. Weder Dansons noch autorisierte Pit Boss® Grills-Händler übernehmen rechtliche oder anderweitige Verantwortung für Begleit- oder Folgeschäden am Eigentum oder an Personen, die durch die Verwendung des Produkts entstehen. Wenn aufgrund einer Verletzung dieser Garantie oder jeglicher anderen Art von Garantie, die das Gesetz vorsieht oder impliziert, ein Anspruch gegen Dansons erhoben wird, ist der Hersteller keinesfalls haftbar für Spezial-, Begleit-, Folge- oder andere Schäden jeglicher Art, die über den Originalkauf des Produkts hinausgehen. Alle Garantien des Herstellers sind hierin festgehalten und keinerlei Ansprüche sollen gegen den Hersteller erhoben werden ohne Garantie oder Stellungnahme. Einige Bundesstaaten erlauben keine Ausschlüsse oder Einschränkungen von Begleit- oder Folgeschäden oder Einschränkungen von impliziten Garantien. Daher gelten die Einschränkungen und Ausschlüsse, die in dieser beschränkten Garantie angeführt werden, möglicherweise nicht für Sie. Diese beschränkte Garantie gewährt Ihnen besondere gesetzliche Rechte, und Sie haben möglicherweise weitere Rechte, die von Bundesstaat zu Bundesstaat unterschiedlich sein können.

## ERSATZTEILE BESTELLEN

Zur Bestellung von Ersatzteilen wenden Sie sich an Ihren Pit Boss® Grills-Händler vor Ort oder besuchen Sie unseren Online-Shop unter: [www.pitboss-grills.com](http://www.pitboss-grills.com)

## DEN KUNDENDIENST KONTAKTIEREN

Wenn Sie Fragen oder Probleme haben, wenden Sie sich bitte an den Kundendienst unter: [www.pitboss-grills.com](http://www.pitboss-grills.com)

## GARANTIESERVICE

Wenden Sie sich an den nächsten Pit Boss® Grills-Händler für Reparaturen oder Ersatzteile. Dansons benötigt einen Kaufnachweis, um einen Garantieanspruch zu begründen. Bewahren Sie daher Ihren Originalkaufbeleg oder Ihre Rechnung zur zukünftigen Verwendung auf. Die Serien- und Modellnummer Ihres Pit Boss® finden Sie direkt auf dem Gerät. Notieren Sie die Zahlen unten, da das Etikett mit der Zeit abgegriffen oder unleserlich werden kann.

---

MODELL

---

SERIENNUMMER

---

KAUFDATUM

---

AUTORISIERTER HÄNDLER

---

DE

DEUTSCHE

## **IMPORTANT**

### **DO NOT RETURN PRODUCT TO STORE**

For all questions, comments, or inquiries, please contact Dansons directly:  
[www.pitboss-grills.com](http://www.pitboss-grills.com)

## **IMPORTANT**

### **NE RETOURNEZ PAS LE PRODUIT AU MAGASIN**

Pour toute questions, commentaires ou demandes de renseignements,  
veuillez communiquer avec Dansons directement : [www.pitboss-grills.com](http://www.pitboss-grills.com)

## **¡IMPORTANTE!**

### **NO DEVUELVA EL PRODUCTO A LA TIENDA**

Para el preguntas, comentarios o consultas, por favor contactar Dansons  
directamente : [www.pitboss-grills.com](http://www.pitboss-grills.com)

## **WICHTIG**

### **PRODUKT NICHT INS LAGER ZURÜCKSCHICKEN**

Wenden Sie sich für Fragen, Anmerkungen oder Anfragen direkt an Dansons:  
[www.pitboss-grills.com](http://www.pitboss-grills.com)

## **IMPORTANTE**

### **NON RESTITUIRE QUESTO PRODOTTO AL NEGOZIO**

Per qualsiasi domanda, commento o richiesta, contattare direttamente Dansons:  
[www.pitboss-grills.com](http://www.pitboss-grills.com)

**PITBOSS-GRILLS.COM**

MADE IN CHINA | FABRIQUÉ EN CHINE | HECHO EN CHINA  
IN CHINA HERGESTELLT | FABBRICATO IN CINA



780210716UMV

