

ASSEMBLY GUIDE | GUIDE D'ASSEMBLAGE GUÍA DE MONTAJE | MONTAGEANLEITUNG | GUIDA DI MONTAGGIO



PIT BOSS® NAVIGATOR

MODEL / MODÈLE / MODELO / MODELL / MODELLO : PB1150G
PART / PIÈCE / PARTE / TEIL / PARTE : 10616



WOOD PELLET GRILL & SMOKER

IMPORTANT, READ CAREFULLY, RETAIN FOR FUTURE REFERENCE. MANUAL MUST BE READ BEFORE OPERATING!

FUMOIR ET GRIL À GRANULÉS DE BOIS

IMPORTANT, PRENEZ CONNAISSANCE DE CE DOCUMENT ET CONSERVEZ-LE POUR RÉFÉRENCE ULTÉRIEURE. VOUS DEVEZ LIRE CE GUIDE AVANT D'UTILISER LE BARBECUE!

PARRILLA Y AHUMADOR DE PELLETS DE MADERA

IMPORTANTE, LEER DETENIDAMENTE, CONSERVAR PARA REFERENCIA FUTURA. LEA EL MANUAL ANTES DEL USO!

WARNING: PLEASE READ THE ENTIRE MANUAL BEFORE INSTALLATION AND USE OF THIS ELECTRIC, PELLET FUEL-BURNING APPLIANCE. FAILURE TO FOLLOW THESE INSTRUCTIONS COULD RESULT IN PROPERTY DAMAGE, BODILY INJURY OR EVEN DEATH. CONTACT LOCAL BUILDING OR FIRE OFFICIALS ABOUT RESTRICTIONS AND INSTALLATION INSPECTION REQUIREMENTS IN YOUR AREA.

AVERTISSEMENT : VEUILLEZ LIRE L'INTÉGRALITÉ DU MANUEL AVANT L'INSTALLATION ET L'UTILISATION DE CET APPAREIL ÉLECTRIQUE À COMBUSTION DE GRANULÉS DE BOIS. LE NON-RESPECT DE CES INSTRUCTIONS PEUT ENTRAÎNER DES DOMMAGES MATÉRIELS, DES DOMMAGES CORPORELS OU MÊME LA MORT. CONTACTEZ LES AUTORITÉS LOCALES COMPÉTENTES CONCERNANT LES RESTRICTIONS ET LES EXIGENCES D'INSPECTION EN VIGUEUR DANS VOTRE RÉGION.

ADVERTENCIA: LEA TODO EL MANUAL ANTES DE INSTALAR Y USAR ESTA UNIDAD QUE FUNCIONA CON ELECTRICIDAD Y COMBUSTIÓN DE PELLETS. SI NO SE SIGUEN ESTAS INSTRUCCIONES, PUEDEN PRODUCIRSE DAÑOS MATERIALES, LESIONES CORPORALES O INCLUSO LA MUERTE. PARA CONSULTAR LAS RESTRICCIONES Y REQUISITOS DE INSPECCIÓN DE LAS INSTALACIONES DE SU ZONA, PÓNGASE EN CONTACTO CON LOS ENCARGADOS DE EDIFICIO O EL DEPARTAMENTO DE BOMBEROS.

ACHTUNG: BITTE LESEN SIE DIE GESAMTE ANLEITUNG SORGFÄLTIG DURCH, BEVOR SIE DIESES ELEKTRISCHE, PELLETBEFEUERTER GERÄT INSTALLIEREN UND BENUTZEN. DIE NICHTBEACHTUNG DIESER ANWEISUNGEN KANN ZU SACHSCHÄDEN, KÖRPERVERLETZUNGEN ODER SOGAR ZUM TOD FÜHREN. WENDEN SIE SICH AN LOKALE BAU- ODER BRANDSCHUTZBEHÖRDEN, UM INFORMATIONEN ÜBER EINSCHRÄNKUNGEN UND ANFORDERUNGEN AN DIE INSTALLATIONSINSPEKTION IN IHRER NÄHE ZU ERHALTEN.

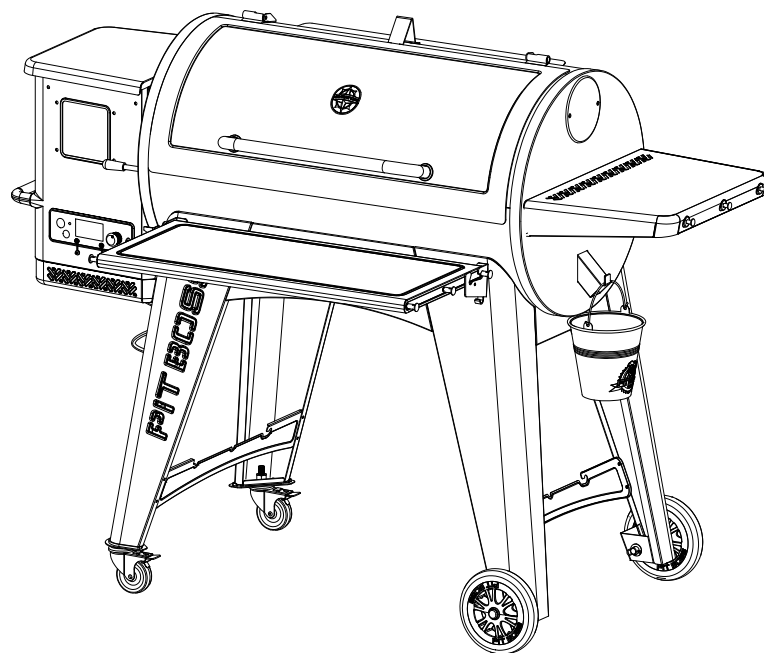
AVVERTENZA: LEGGERE L'INTERO MANUALE PRIMA DELL'INSTALLAZIONE E DELL'USO DI QUESTA APPARECCHIATURA ELETTRICA PER LA COMBUSTIONE DI PELLET. LA MANCATA OSSERVANZA DELLE ISTRUZIONI PUÒ CAUSARE DANNI ALLA PROPRIETÀ, LESIONI FISICHE O MORTE. CONTATTARE LE AUTORITÀ LOCALI COMPETENTI PER L'EDILIZIA O I VIGILI DEL FUOCO PER INFORMAZIONI SULLE RESTRIZIONI E SUI REQUISITI DI ISPEZIONE DEGLI IMPIANTI NELLA PROPRIA ZONA.

HOLZPELLET-GRILL UND SMOKER

WICHTIG: AUFMERKSAM LESEN UND GUT AUFBEWAHREN BITTE UNBEDINGT VOR GEBRAUCH DIE BEDIENUNGSANLEITUNG SORGFÄLTIG DURCHLESEN!

GRIGLIA A PELLET DI LEGNO CON AFFUMICATORE

IMPORTANTE: LEGGERE ATTENTAMENTE E CONSERVARE PER RIFERIMENTO FUTURO. LEGGERE IL MANUALE PRIMA DELL'USO.



For outdoor and household use only. Not for commercial use.
Réservé à l'usage extérieur et résidentiel uniquement. Non destiné à un usage commercial.
Solo para uso doméstico y en el exterior. No apto para uso comercial.
Bitte nur im Freien und privat nutzen. Nicht für die gewerbliche Anwendung geeignet.
Solo per uso domestico ed esterno. Non per uso commerciale.



COPYRIGHT NOTICE

Copyright 2021. All right reserved. No part of this manual may be copied, transmitted, transcribed, stored in a retrieval system, in any form or by any means without expressed written permission of,

DANSONS EUROPE

11 Rue Galvani Paris, France 75017

DANSONS NORTH AMERICA

3411 North 5th Avenue, Suite 500, Phoenix, AZ, USA 85013

CUSTOMER CARE

www.pitboss-grills.com

TABLE OF CONTENTS

- Parts & Specs..... 3
- Assembly Preparation..... 5
- Assembly Instructions
 - Securing Feet To Support Legs..... 5
 - Securing Support Plates and Caster Wheels..... 5
 - Securing Support Plates and Wheels..... 6
 - Securing Support Plate To Support Legs For Wheels..... 6
 - Securing Support Plate To Support Legs For Casters..... 6
 - Mounting Main Barrel To The Cart..... 7
 - Securing Support Plates To The Grill..... 7
 - Installing The Lid Stopper 7
 - Installing The Lid Handle..... 8
 - Installing The Diffuser Plate..... 8
 - Installing The Flame Broiler Components..... 8
 - Installing Flame Broiler Adjusting Bar..... 9
 - Installing The Side Shelf 9
 - Securing The Front Shelf Brackets..... 9
 - Installing The Front Shelf 9
 - Installing The Grill Cooking Components 10
 - Installing Grease Bucket 10
 - Connecting To A Power Source..... 10

PARTS & SPECS

Part#	Description
1	Lid Stopper (x1)
2	Lid Handle (x1)
3	Lid Handle Bezel (x2)
4	Main Barrel/Hopper Assembly (x1)
5	Flame Broiler Adjusting Bar (x1)
6	Flame Broiler Adjusting Bar Handle (x1)
7	Flame Broiler Slider (x1)
8	Flame Broiler Main Plate (x1)
9	Left Front Leg (x1)
10	Left Back Leg (x1)
11	Right Front Leg (x1)
12	Right Back Leg (x1)
13	Left Front Leg Trim Piece (x1)
14	Left Back Leg Trim Piece (x1)
15	Locking Caster Wheel (x2)
16	Wheel (x2)
17	Right Bottom Support Plate (x1)
18	Left Bottom Support Plate (x1)
19	Short Support Plate (x2)
20	Front Long Support Plate (x1)
21	Back Long Support Plate (x1)
22	Front Shelf (x1)
23	Diffuser Plate (x1)
24	Front Shelf Bracket Right (x1)
25	Front Shelf Bracket Left (x1)
26	Grease Bucket (x1)
27	Right Side Table (x1)
28	Cooking Grid A (x1)
29	Cooking Grid B (x2)
30	Warming Rack (x1)
31	Meat Probe (x2)

Part#	Description
32	Power Cord Clip (x1)
33	Power Cord - F Plug (x1)
34	Power Cord - G Plug (x1)
A	Screw (x18)
B	Washer (x18)
C	Locking Washer (x18)
D	Screw (x30)
E	Screw (x6)
F	Wheel Axle Pin (x2)
G	Wheel Cotter Pin (x2)
H	Wheel Washer (x2)

NOTE: Due to ongoing product development, parts are subject to change without notice. Contact Customer Service if parts are missing when assembling the unit.

PB – ELECTRIC REQUIREMENTS
220-240 V, 50 Hz, 250 W, GROUNDED PLUG

Diagram Illustration on next page.

MODEL	UNIT ASSEMBLED (WxHxD)	UNIT WEIGHT	COOKING AREA	TEMP. RANGE	DIGITAL FEATURES
PB PB1150G	1,622mm x 1,195mm x 940mm / 63.86" x 47" x 37"	84 kg / 185.19 lb	Main - 4,587.1 cm ² / 711 sq. in. Upper Rack - 2,883.9 cm ² / 447 sq. in. TOTAL - 7,471 cm² / 1158 sq. in.	82-260°C / 180-500°F	Ten temperature presets, start-up and cool-down cycles, electric igniter

ASSEMBLY PREPARATION

Parts are located throughout the shipping carton, including underneath the grill. Inspect the grill, parts, and hardware blister pack after removing from the protective shipping carton. Discard all packaging materials from inside and outside of the grill before assembly, then review and inspect all parts by referencing the parts list. If any part is missing or damaged, do not attempt to assemble. Shipping damage is not covered under warranty. Contact your dealer or Pit Boss® Customer Care for parts.

www.pitboss-grills.com

IMPORTANT: To ease installation and avoid injury, use two people when assembling this appliance.

Tools required for assembly: screwdriver and level. *Tools not included.*



ASSEMBLY INSTRUCTIONS

IMPORTANT: It is advised to read each step entirely before starting assembly on instructions. Do not tighten screws completely until all screws for that step have been installed. Hardware combination involving a locking washer and washer should be installed with the locking washer closest to the head of the screw.

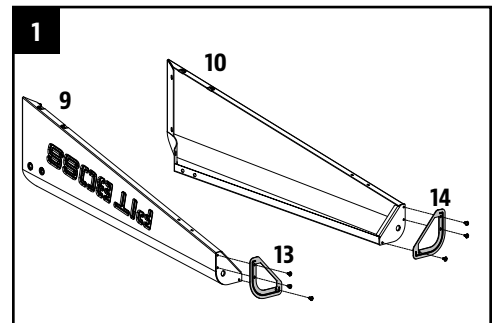
1. SECURING FEET TO SUPPORT LEGS

Parts Required:

- 1 x Left Front Leg (#9)
- 1 x Left Back Leg (#10)
- 1 x Left Front Leg Trim Piece (#13)
- 1 x Left Back Leg Trim Piece (#14)
- 6 x Screw (#D)

Installation:

- Use three screws to attach the Left Front Leg Trim Piece to the Left Front Leg for locking caster wheel. Continue to install the Left Back Leg for locking caster wheel and Left Back Leg Trim Piece.



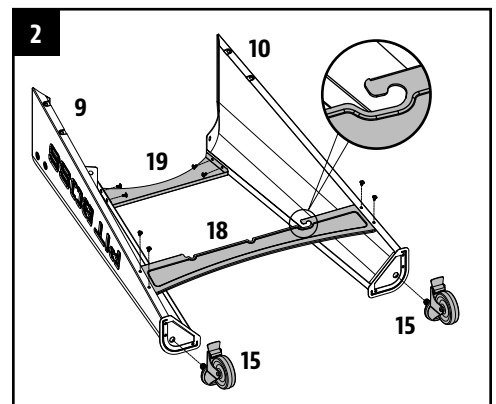
2. SECURING SUPPORT PLATES AND CASTER WHEELS

Parts Required:

- 1 x Left Front Leg (#9)
- 1 x Left Back Leg (#10)
- 1 x Left Bottom Support Plate (#18)
- 1 x Short Support Plate (#19)
- 2 x Swivel Caster with Brake (#15)
- 8 x Screw (#D)

Installation:

- Install one Short Support Plate to the side of the unit between of a Front and Back Support Legs using four screws. Repeat the same installation to mount the Bottom Support Plate to the same legs.
- Insert each Locking Caster Wheel into the Bottom of each Support Leg by hand-tightening into the hole. Ensure the Locking Caster Wheel is inserted completely by ensuring it cannot rotate any further.



NOTE: Make sure Bottom Support Plate is facing up with correct direction.

3. SECURING SUPPORT PLATES AND WHEELS

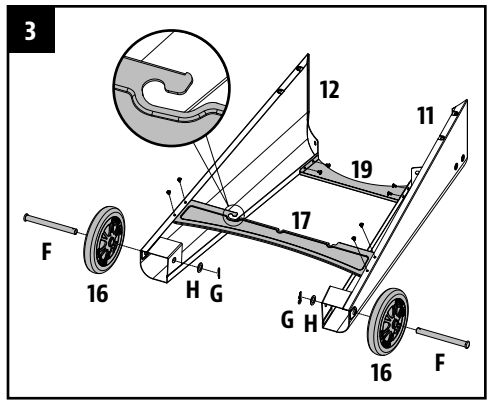
Parts Required:

- 1 x Right Front Leg (#11)
- 1 x Right Back Leg (#12)
- 1 x Right Bottom Support Plate (#17)
- 1 x Short Support Plate (#19)
- 2 x Wheel (#16)
- 8 x Screw (#D)
- 2 x Wheel Axle Pin (#F)
- 2 x Wheel Cotter Pin (#G)
- 2 x Wheel Washer (#H)

Installation:

- Install one Short Support Plate to the side of the unit between of a Front and Back Support Legs using four screws. Repeat the same installation to mount the Bottom Support Plate to the same legs.
- Attach the large Wheel to the Support Leg by inserting the Wheel Axle Pin through the Wheel Support Leg hole, then secure using the Wheel Cotter Pin. Repeat installation for other Wheel on the same side.

NOTE: Make sure Bottom Support Plate is facing up with correct direction.



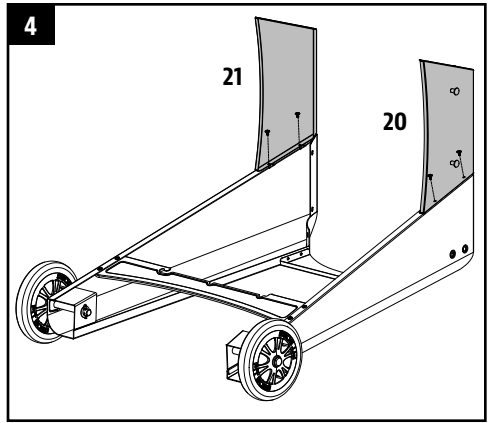
4. SECURING SUPPORT PLATE TO SUPPORT LEGS FOR WHEELS

Parts Required:

- 1 x Front Long Support Plate (#20)
- 1 x Back Long Support Plate (#21)
- 4 x Screw (#D)

Installation:

- Secure one Long Support Plate to one Support Leg for Wheel using two screws. Ensure the flat side of the Support Plate is facing outwards. Repeat the same installation to mount the other Long Support Plate to the other Support Leg.



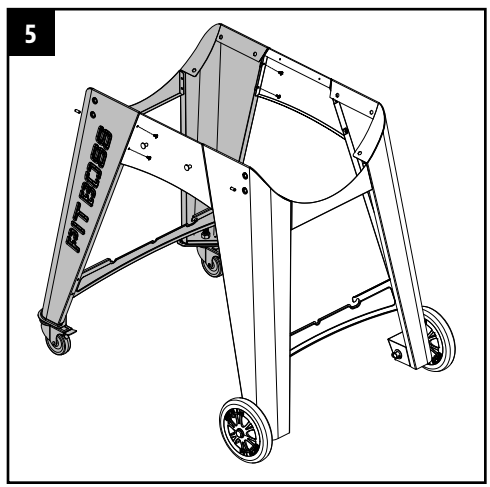
5. SECURING SUPPORT PLATE TO SUPPORT LEGS FOR CASTERS

Parts Required:

- 4 x Screw (#D)

Installation:

- Next, Secure the Long Support Plates to the Support Legs for Caster Wheel. Secure using two screws for each plate.



6. MOUNTING MAIN BARREL TO THE CART

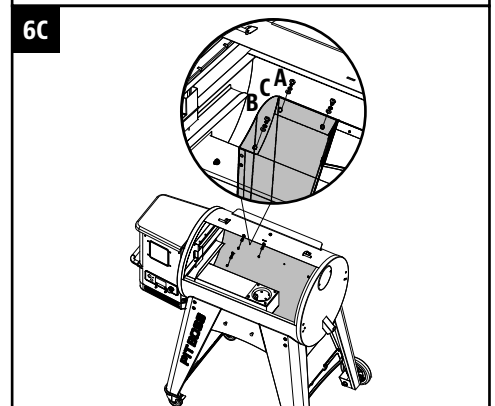
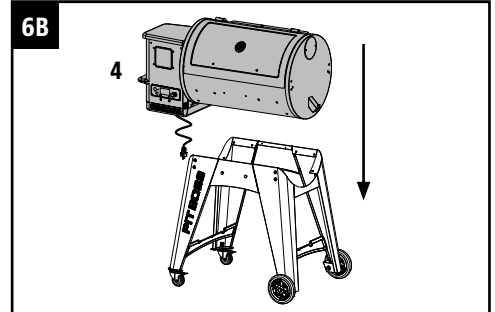
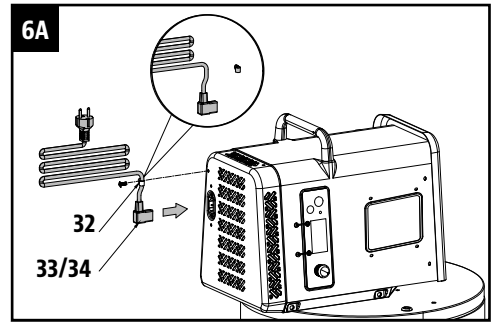
Parts Required:

- 1 x Main Barrel (#4)
- 12 x Screw (#A)
- 12 x Washer (#B)
- 12 x Locking Washer (#C)
- 1 x Power Cord (#33 or #34)
- 1 x Cable Clip (#32)

Installation:

NOTE: There are two Power Cords supplied. Select the Power Cord that is required for your region.

- Place the cable clips on the correct power cord. Insert the power cord into the grove at the bottom of the hopper. Secure the cable clip to the bottom of the hopper with the previously installed screw. Note Illustration 6A.
- Prepare the Main Barrel to be mounted to the Cart. Carefully, lift the Cart into an upright position with the wheels on the bottom. Position the Cart next to the Main Barrel, with both facing the same direction. Lock the Caster Wheels on the Cart. Using a second person, prepare to lift the Main Barrel onto the Cart. With one person lifting from the hopper side, and the other person lifting from the opposing barrel end, carefully lift the Main Barrel, and slowly lower onto the Cart. Note illustration 6B.
- Next, open the Main Barrel lid. Adjust the rotation as needed to align the screw holes of the Main Barrel to the Cart. Once placed, secure each leg to the Main Barrel using three screws, washers, and locking washers. Note illustration 6C.



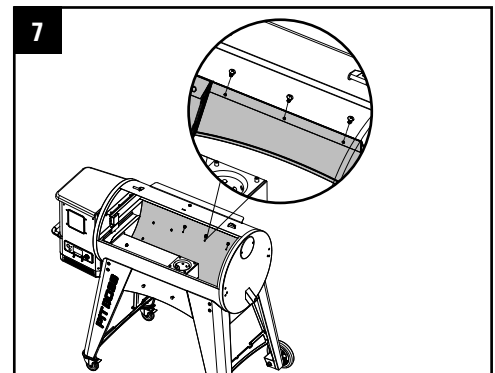
7. SECURING SUPPORT PLATES TO THE GRILL

Parts Required:

- 6 x Screw (#E)

Installation:

- Secure each Long Support Plate to the Main Barrel using three screws.



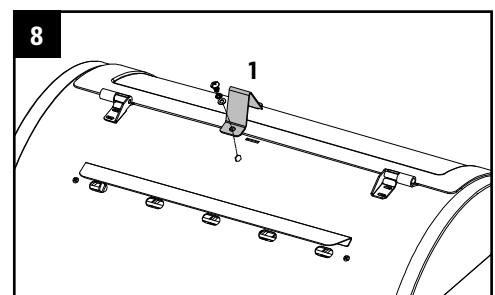
8. INSTALLING THE LID STOPPER

Parts Required:

- 1 x Lid Stopper (#1)

Installation:

- Secure the Lid Stopper onto the top of the Main Barrel using the pre-installed screw on top of the Main Barrel.



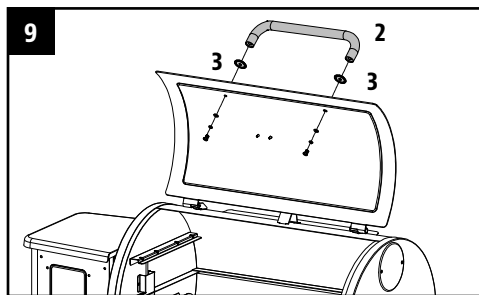
9. INSTALLING THE LID HANDLE

Parts Required:

- 1 x Lid Handle (#2)
- 2 x Lid Handle Bezel (#3)

Installation:

- Remove the pre-installed screws from the Lid Handle. From inside the barrel lid, insert one screw protrude to the outside. Add a Bezel on the screw. Then hand-tighten the screw (from the inside) into the Lid Handle. Repeat for other side.



10. PLACING THE DIFFUSER PLATE

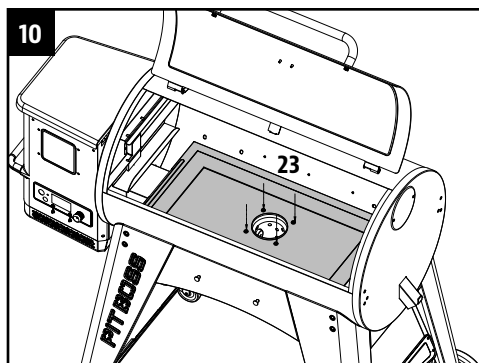
Parts Required:

- 1 x Diffuser Plate (#23)

Installation:

- Replace the Diffuser Plate in Main Barrel.

NOTE: Make sure the four holes of the Diffuser Plate are aligned properly with four screws of the burn pot.



11. INSTALLING THE FLAME BROILER COMPONENTS

Parts Required:

- 1 x Flame Broiler Main Plate (#8)
- 1 x Flame Broiler Slider (#7)

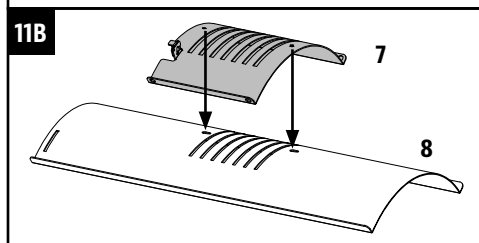
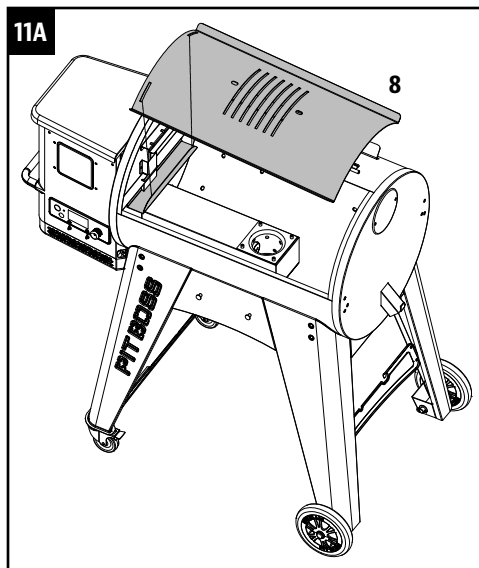
Installation:

- Insert the Flame Broiler Main Plate into the main grill. Rest the Flame Broiler Main Plate on the built-in ledge (on the inside right) of the Main Grill that directs grease towards the grease bucket spout. Slide the entire piece to the left side, and the two slots on the Flame Broiler Main Plate will fit into the rounded ledge above the burn pot. It will sit slightly at a downward angle. Note illustration 11A.

IMPORTANT: If the Main Plate is resting on the base of the Barrel, it is installed incorrectly. Poor installation may result in damage to your Main Grill Barrel.

- Place the Flame Broiler Slider on top of the Flame Broiler Main Plate covering the slotted openings. Ensure the raised tab is on the left and the two pins at the bottom of the Flame Broiler Slider place into the holes of the Flame Broiler Main Plate to easily adjust for direct and indirect flame when cooking. Both flame broiler parts are lightly coated with oil to avoid rusting when shipped. Note illustration 11B.

NOTE: To maintain the searing and grilling performance of your cooking grids, regular care and maintenance is required. See Owner's Manual.



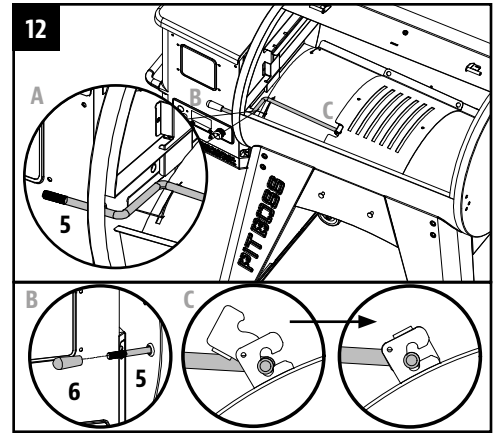
12. INSTALLING FLAME BROILER ADJUSTING BAR

Parts Required:

- 1 x Flame Broiler Adjusting Bar (#5)
- 1 x Flame Broiler Adjusting Bar Handle (#6)

Installation:

- Insert the Flame Broiler Adjusting Bar through the opening hole on the left side of the Main Barrel. Add the Flame Broiler Adjusting Bar Handle on the end outside the Barrel. Next, slide the notched end of the Adjusting Bar into the locking tab on the Flame Broiler Slider, giving you adjustable access to the Flame Broiler Slider on the Main Plate.



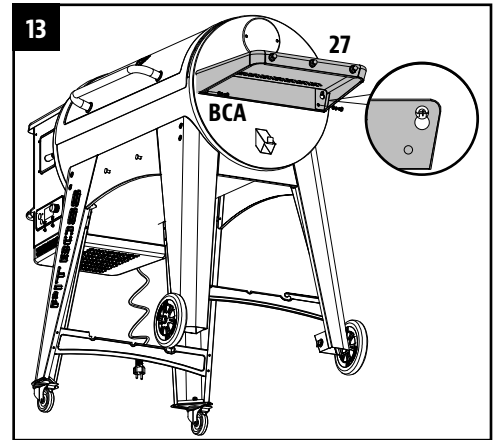
13. INSTALLING THE SIDE SHELF

Parts Required:

- 1 x Side Table (#27)
- 2 x Screw (#A)
- 2 x Washer (#B)
- 2 x Locking Washer (#C)

Installation:

- Loosen the two pre-installed screws from the side of the Main Barrel. Hook up the Side Shelf on the screws first then secure the two pre-loosened screws into place.
- From underneath, secure the Side Shelf to the side panel of the Main Barrel using two screws, washers, and locking washers.



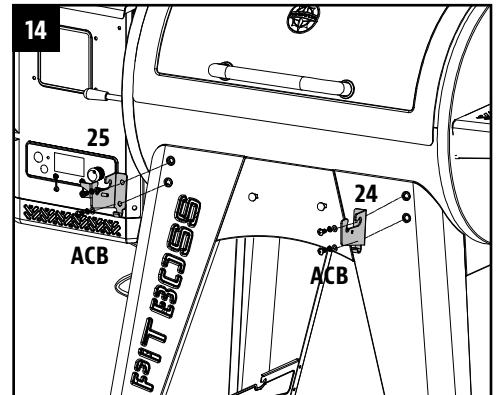
14. SECURING THE FRONT SHELF BRACKETS

Parts Required:

- 1 x Front Shelf Bracket Right (#24)
- 1 x Front Shelf Bracket Left (#25)
- 4 x Screw (#A)
- 4 x Washer (#B)
- 4 x Locking Washer (#C)

Installation:

- Secure each Front Shelf Support Bracket onto the Front Support Leg by using two screws, washers and locking washers.



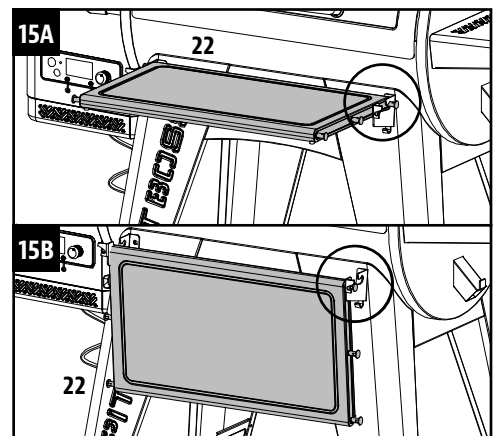
15. INSTALLING THE FRONT SHELF

Parts Required:

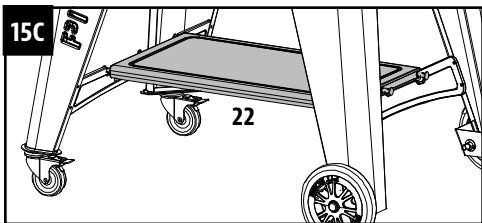
- 1 x Front Shelf (#22)

Installation:

- Place the Front Shelf on the Front Shelf Support Brackets. Note illustration 15A as unfolded Front Shelf.
- Note illustration 15B as folded Front Shelf.



- Front Shelf can also be placed on the Bottom Support Plates and be used as Bottom Plate. Note illustration 15C.



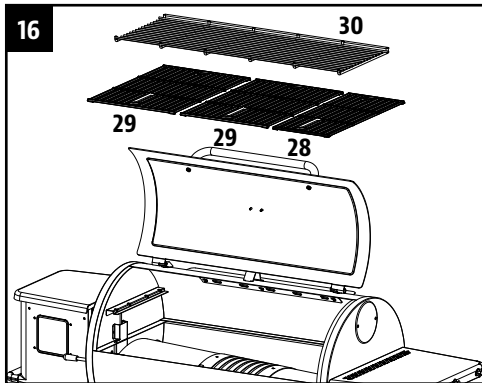
16. INSTALLING THE GRILL COOKING COMPONENTS

Parts Required:

- 1 x Cooking Grid A (#28)
- 2 x Cooking Grid B (#29)
- 1 x Porcelain-Coated Steel Upper Warming Rack (#30)

Installation:

- Place the Cooking Grids, side by side, on the grid ledge inside the Main Grill.
- Place the Upper Cooking Rack on the upper ledge inside the Main Grill. The Warming Rack will lock into place.



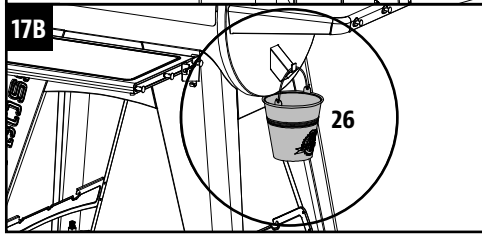
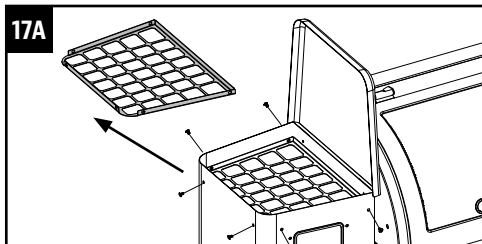
17. INSTALLING THE GREASE BUCKET

Parts Required:

- 1 x Grease Bucket (#26)

Installation:

- Unscrew the six screws along the outside of the Hopper that secure the Hopper Safety Screen to the interior and remove the safety screen to access the Grease Bucket. Replace the Hopper Safety Screen and re-install the six screws to secure. Note illustration 17A.
- Place the Grease Bucket on the spout hook on the end of the Main Barrel. Ensure it is level to avoid grease spills. Note illustration 17B.
- The unit is now completely assembled.



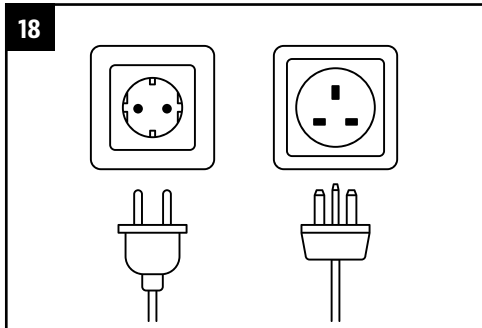
18. CONNECTING TO A POWER SOURCE

NOTE: Before plugging your Pit Boss® into any electrical outlet, ensure the temperature dial is in the OFF position.

- **STANDARD OUTLET**
This appliance requires 220-240 volts, 50Hz, 250w service. It must be a grounded plug.

IMPORTANT: Disconnect unit from power source when not in use.

IMPORTANT: Refer to Owner's Manual for Operating Instructions





HINWEISE ZUM COPYRIGHT

Copyright 2021. Alle Rechte vorbehalten. Kein Teil dieser Anleitung darf in keiner erdenklichen Form oder Weise kopiert, übertragen, transkribiert oder in einem Datenabfragesystem gespeichert werden, ohne die ausdrückliche schriftliche Zustimmung von

DANSONS EUROPA

11 Rue Galvani Paris, Frankreich 75017

DANSONS NORDAMERIKA

3411 North 5th Avenue, Suite 500, Phoenix, AZ, USA 85013

KUNDENDIENST

www.pitboss-grills.com

INHALTSVERZEICHNIS

Teile und Spezifikationen	32
Montagevorbereitung	34
Montageanleitung	
Anbringung der Füße, um die Beine zu stabilisieren	34
Anbringung der Stützplatten und Feststellrollen.....	35
Anbringung der Stützplatten und Räder	35
Anbringung der Stützplatten für die Räderbeine	35
Anbringung der Stützplatten für die Beine mit Feststellrollen	36
Montage des Barrels auf den Wagen	36
Anbringung der Stützplatten am Grill.....	37
Montage des Deckelstoppers.....	37
Montage des Deckelhalters	37
Platzieren Sie die Diffusorplatte	37
Montage der einzelnen Bratrostteile	38
Montage der Einstellstange für den Bratrost	38
Montage der seitlichen Ablage.....	39
Sicherung der vorderen Ablagehalterungen.....	39
Montage der vorderen Ablage.....	39
Montage der einzelnen Teile des Grillkochers.....	40
Montage des Fetteimers	40
Anschluss an die Stromversorgung.....	40

DE

DEUTSCHE

TEILE UND SPEZIFIKATIONEN

Teile- nummer	Beschreibung
1	Deckelstopper (x1)
2	Deckelgriff (x1)
3	Blende Deckelgriff (x2)
4	Barrel (großes Stahlrohr)/Montage des Schornsteins (x1)
5	Einstellstange für den Bratrost (x1)
6	Einstellstangenhalter für den Bratrost (x1)
7	Schieberegler für den Bratrost (x1)
8	Große Platte für den Bratrost (x1)
9	Linkes Vorderbein (x1)
10	Linkes Hinterbein (x1)
11	Rechtes Vorderbein (x1)
12	Rechtes Hinterbein (x1)
13	Linkes vorderes Beinverkleidungsstück (x1)
14	Linkes hinteres Beinverkleidungsstück (x1)
15	Feststellrollen (x2)
16	Rad (x2)
17	Rechte untere Stützplatte (x1)
18	Linkere untere Stützplatte (x1)
19	Kurze Stützplatte (x2)
20	Vordere lange Stützplatte (x1)
21	Hintere lange Stützplatte (x1)
22	Vordere Ablage (x1)
23	Diffusorplatte (x1)
24	Halterung der vorderen Ablage rechts (x1)
25	Halterung der vorderen Ablage links (x1)
26	Fetteimer (x1)
27	Tisch rechts (x1)
28	Grillrost A (x1)

Teile- nummer	Beschreibung
29	Grillrost B (x2)
30	Warmhalterost (x1)
31	Fleischthermomenter (x2)
32	Netzkabelclip (x1)
33	Netzkabel – F-Stecker (x1)
34	Netzkabel – G-Stecker (x1)
A	Schraube (x18)
B	Unterlegscheibe (x18)
C	Sicherungsscheibe (x18)
D	Schraube (x30)
E	Schraube (x6)
F	Radachsenbolzen (x2)
G	Radsteckerstift (x2)
H	Radunterlegscheibe (x2)

HINWEIS: Aufgrund der kontinuierlichen Produktweiterentwicklung können Teile ohne Ankündigung geändert werden. Wenden Sie sich an den Kundenservice, falls bei der Montage des Geräts Teile fehlen sollten.

PB – ELEKTRISCHE ANFORDERUNGEN
220-240 V, 50 Hz, 250 W, GEERDETES NETZKABEL

Diagrammdarstellung auf der nächsten Seite.

MODELL	ZUSAMMENGEBAUTE EINHEIT (BxHxT)	GEWICHT DER EINHEIT	GARFLÄCHE	TEMPERA- TURBEREICH	DIGITALE FUNKTIONALITÄTEN
PB PB1150G	1.622mm x 1.195mm x 940mm / 63,86" x 47" x 37"	84 kg / 185,19 lb	Haupt - 4587,1 cm ² / 711 sq. in. Oberes Gitter - 2883,9 cm ² / 447 sq. in. GESAMT - 7471 cm² / 1158 sq. in.	82-260°C / 180-500°F	Zehn Temperaturstufen, Startzyklus, elektrischer Anzünder

MONTAGEVORBEREITUNG

Die Teile sind im gesamten Versandkarton verteilt, auch unter dem Grill. Überprüfen Sie den Grill, die Teile und die Blisterverpackung um die Metallteile, nachdem Sie diese aus dem schützenden Versandkarton genommen haben. Entfernen Sie vor der Montage alle Verpackungsmaterialien von der Innenseite und Außenseite des Grills, überprüfen Sie dann alle Teile und inspizieren Sie diese anhand der Stückliste. Falls Teile fehlen oder beschädigt sind, versuchen Sie nicht, den Grill zusammenzubauen. Transportschäden werden nicht von der Garantie abgedeckt. Ersatzteile erhalten Sie bei Ihrem Händler oder dem Pit Boss® Kundendienst.

www.pitboss-grills.com

WICHTIG: Um die Montage zu vereinfachen, ist es hilfreich (aber nicht notwendig), das Gerät mit zwei Personen zusammenzubauen.

Für die Montage erforderliche Werkzeuge: Schraubenzieher und Wasserwaage. *Werkzeuge sind nicht enthalten.*



MONTAGEANLEITUNG

WICHTIG: Wir empfehlen, jeden Schritt sorgfältig durchzulesen, bevor Sie mit der Montage beginnen. Achten Sie darauf, die Schrauben nicht zu fest zu ziehen, bevor alle Schrauben, die für diesen Schritt erforderlich sind, montiert wurden. Die Verbindung aus Sicherungsscheibe und Unterlegscheibe sollte so installiert werden, dass die Sicherungsscheibe dem Schraubenkopf am nächsten ist.

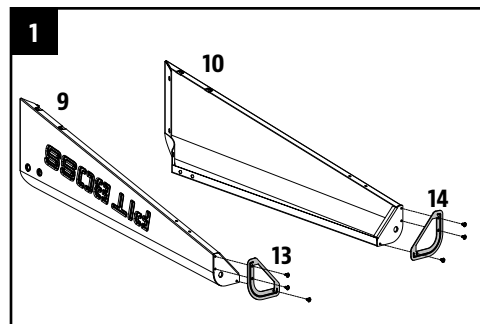
1. ANBRINGUNG DER FÜSSE, UM DIE BEINE ZU STABILISIEREN

Erforderliche Teile:

- 1 x Linkes Vorderbein (#9)
- 1 x Linkes Hinterbein (#10)
- 1 x Linkes vorderes Beinverkleidungsstück (#13)
- 1 x Linkes hinteres Beinverkleidungsstück (#14)
- 6 x Schraube (#D)

Montage:

- Verwenden Sie drei Schrauben, um das linke vordere Beinverkleidungsstück an das linke vordere Bein anzubringen und so die Feststellrolle zu arretieren. Montieren Sie danach das linke hintere Bein mit Feststellrolle und das linke hintere Beinverkleidungsstück.



2. ANBRINGUNG DER STÜTZPLATTEN UND FESTSTELLROLLEN

Erforderliche Teile:

- 1 x Linkes Vorderbein (#9)
- 1 x Linkes Hinterbein (#10)
- 1 x Linkere untere Stützplatte (#18)
- 1 x Kurze Stützplatte (#19)
- 2 x Feststellrollen (#15)
- 8 x Schraube (#D)

Montage:

- Montieren Sie eine kurze Stützplatte an der Seite des Grills zwischen einem vorderen und einem hinteren Stützbein mit vier Schrauben. Wiederholen Sie den Vorgang, um die untere Stützplatte an dieselben Beine zu montieren.
- Setzen Sie jede Feststellrolle durch festes Anziehen in das Loch an der Unterseite der einzelnen Stützbeine ein. Achten Sie darauf, dass die Feststellrolle vollständig eingeführt ist, indem Sie sicherstellen, dass sie sich nicht weiter drehen lässt.

HINWEIS: Achten Sie darauf, dass die untere Stützplatte richtig eingesetzt ist.

3. ANBRINGUNG DER STÜTZPLATTEN UND RÄDER

Erforderliche Teile:

- 1 x Rechtes Vorderbein (#11)
- 1 x Rechtes Hinterbein (#12)
- 1 x Rechte untere Stützplatte (#17)
- 1 x Kurze Stützplatte (#19)
- 2 x Rad (#16)
- 8 x Schraube (#D)
- 2 x Radachsenbolzen (#F)
- 2 x Radsteckerstift (#G)
- 2 x Radunterlegscheibe (#H)

Montage:

- Montieren Sie eine kurze Stützplatte an der Seite des Grills zwischen einem vorderen und einem hinteren Stützbein mit vier Schrauben. Wiederholen Sie den Vorgang, um die untere Stützplatte an dieselben Beine zu montieren.
- Befestigen Sie das große Rad am Stützbein, indem Sie den Achsenbolzen durch das Loch im Radstützbein stecken und dann mit dem Radsteckerstift sichern. Wiederholen Sie den Vorgang auf der anderen Seite.

HINWEIS: Achten Sie darauf, dass die untere Stützplatte richtig eingesetzt ist.

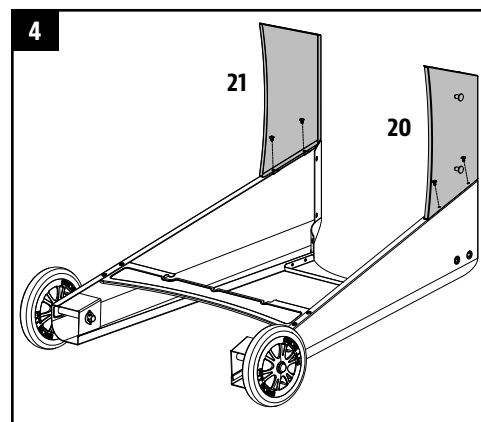
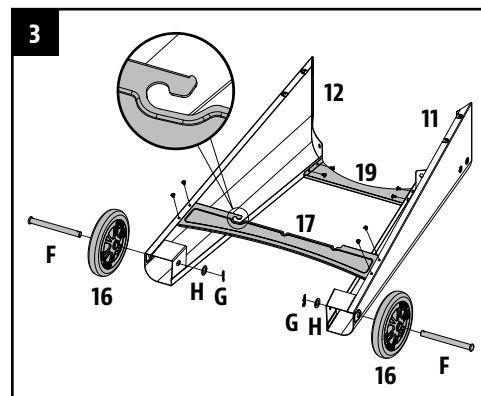
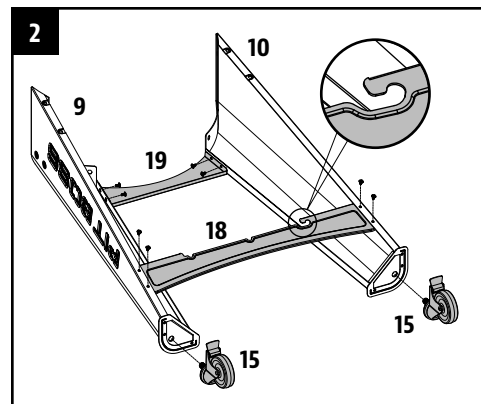
4. ANBRINGUNG DER STÜTZPLATTEN FÜR DIE RÄDERBEINE

Erforderliche Teile:

- 1 x FVordere lange Stützplatte (#20)
- 1 x Hintere lange Stützplatte (#21)
- 4 x Schraube (#D)

Montage:

- Befestigen Sie eine lange Stützplatte mit zwei Schrauben an einem Stützbein für das Rad. Achten Sie dabei darauf, dass die flache Seite der Stützplatte nach außen weist. Wiederholen Sie den Vorgang, um die andere lange Stützplatte an das andere Stützbein anzubringen.



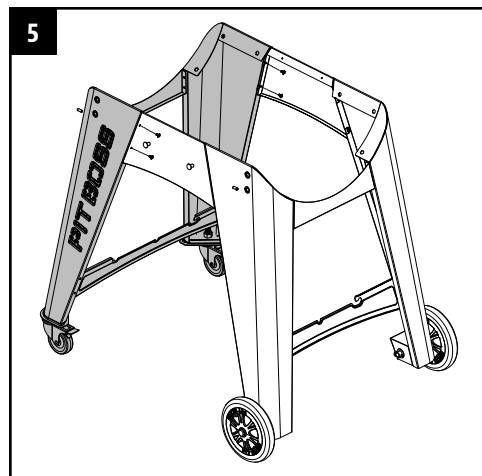
5. ANBRINGUNG DER STÜTZPLATTEN FÜR DIE BEINE MIT FESTSTELLROLLEN

Erforderliche Teile:

4 x Schraube (#D)

Montage:

- Danach bringen Sie die langen Stützplatten an die Stützbeine der Lenkrolle an. Jede Platte wird dabei mit zwei Schrauben gesichert.



6. MONTAGE DES BARRELS AUF DEN WAGEN

Erforderliche Teile:

1 x Barrel (großes Stahlrohr)/Montage des Schornsteins (#4)

12 x Schraube (#A)

12 x Unterlegscheibe (#B)

12 x Sicherungsscheibe (#C)

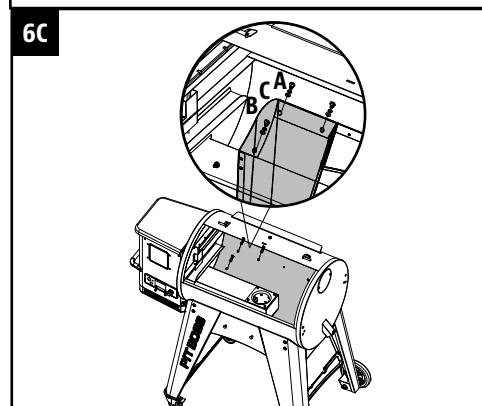
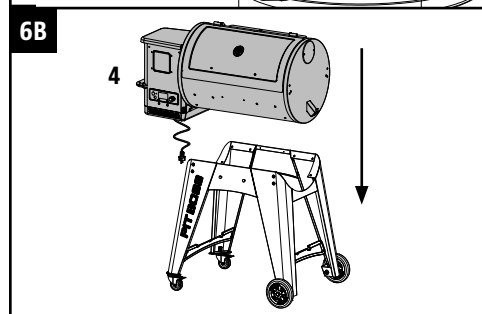
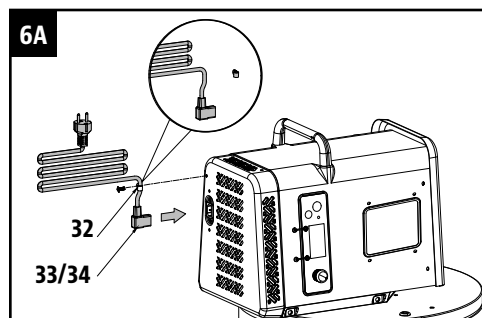
1 x Netzkabel (#33 oder #34)

1 x Kabelklemmen (#32)

Montage:

HINWEIS: Es werden zwei Netzkabel mitgeliefert. Wählen Sie das richtige Netzkabel für Ihre Region aus.

- Stecken Sie die Kabelklemmen in das richtige Netzkabel. Stecken Sie das Netzkabel in die Nut am Boden der Pelletkammer. Befestigen Sie die Kabelklemme mit der zuvor installierten Schraube am Boden der Pelletkammer. Beachten Sie dazu auch Zeichnung 6A.
- Bereiten Sie die Montage des Barrels auf den Wagen vor. Heben Sie dafür den Wagen vorsichtig an, die Räder sollten dabei nach unten zeigen. Stellen Sie den Wagen direkt neben den Barrel, beide sollten dabei in dieselbe Richtung weisen. Arretieren Sie die Feststellrollen am Wagen. Mithilfe einer zweiten Person bereiten Sie sich darauf vor, den Barrel auf den Wagen zu heben. Dabei hebt eine Person an der Schornsteinseite und die andere das andere Ende des Barrels an und setzt ihn vorsichtig auf dem Wagen ab. Beachten Sie dazu auch Zeichnung 6B.
- Öffnen Sie danach den Deckel des Barrels. Drehen Sie den Barrel so weit als nötig, um die Schraubenlöcher des Barrels mit denen des Wagens auszurichten. Sobald die richtige Position erreicht ist, bringen Sie jedes der Beine mit drei Schrauben, Unterlegscheiben und Sicherungsscheiben am Barrel an. Beachten Sie dazu auch Zeichnung 6C.



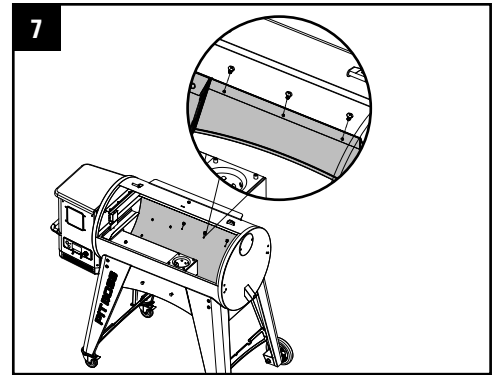
7. ANBRINGUNG DER STÜTZPLATTEN AM GRILL

Erforderliche Teile:

6 x Schraube (#E)

Montage:

- Befestigen Sie jede der langen Stützplatten mit drei Schrauben am Barrel.



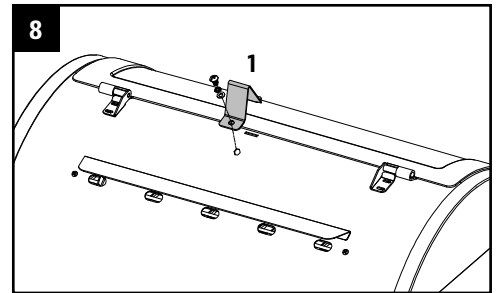
8. MONTAGE DES DECKELSTOPPERS

Erforderliche Teile:

1 x Deckelstopper (#1)

Montage:

- Befestigen Sie den Deckelstopper auf der Oberseite des Barrels mit der vormontierten Schraube auf der Oberseite des Barrels.



9. MONTAGE DES DECKELHALTERS

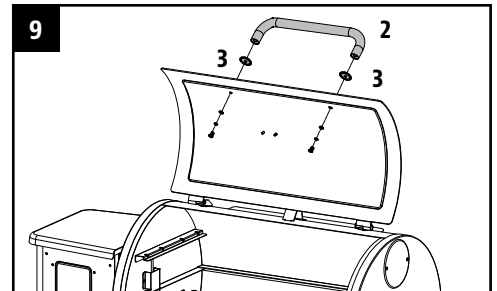
Erforderliche Teile:

1 x Deckelgriff (#2)

2 x Blende Deckelgriff (#3)

Montage:

- Entfernen Sie die vorinstallierten Schrauben vom Deckelhalter. Führen Sie dann auf der Innenseite des Barrel-Deckels eine Schraube ein, bis sie außen zu sehen ist. Bringen Sie die Blende an der Schraube an. Dann ziehen Sie die Schraube von Hand (und von innen) am Deckelhalter an. Wiederhole den Vorgang an der anderen Seite.



10. PLATZIEREN SIE DIE DIFFUSORPLATTE

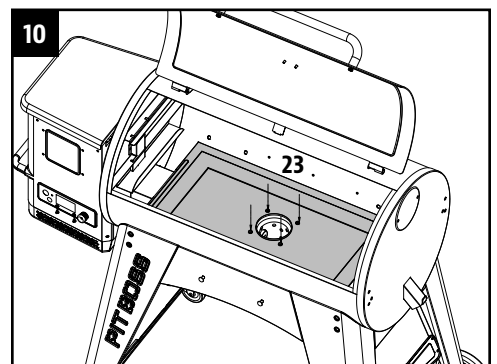
Erforderliche Teile:

1 x Diffusorplatte (#23)

Montage:

- Ersetzen sie die Diffusorplatte im Barrel.

HINWEIS: Achten Sie darauf, dass die vier Löcher in der Diffusorplatte richtig auf die vier Schrauben der Feuerkammer ausgerichtet sind.



11. MONTAGE DER EINZELNEN BRATROSTTEILE

Erforderliche Teile:

- 1 x Große Platte für den Bratrost (#8)
- 1 x Schieberregler für den Bratrost (#7)

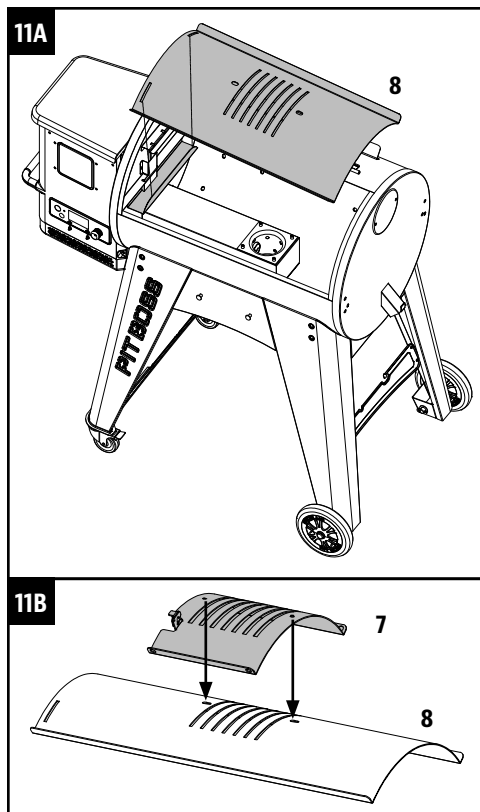
Montage:

- Setzen Sie die Hauptplatte des Bratrostes in den Hauptgrill ein. Legen Sie die Hauptplatte des Bratrostes auf die eingebaute Leiste (innen rechts) des Hauptgitters, die das Fett zum Auslauf des Fetteimers leitet. Schieben Sie das gesamte Teil nach links. Die beiden Schlitzlöcher auf der Hauptplatte des Bratrostes passen in die abgerundete Kante über der Feuerkammer. Sie ist dabei leicht nach unten geneigt. Beachten Sie dazu auch Zeichnung 11A.

WICHTIG: Wenn die Hauptplatte auf dem Grund des Barrels aufliegt, ist sie falsch montiert. Eine nicht ordnungsgemäße Montage kann das Gerät beschädigen.

- Platzieren Sie den Schieber des Bratrostes auf der Hauptplatte des Bratrostes. Dabei werden die Schlitzlöcher abgedeckt. Vergewissern Sie sich, dass sich die überstehende Lasche links befindet und die beiden Stifte an der Unterseite des Bratrostschiebers in die Löcher der Hauptplatte des Bratrostes einsetzen, um später beim Kochen einfach einstellen zu können, ob man direkte oder indirekte Hitze bevorzugt. Beide Teile des Bratrostes wurden leicht mit Öl eingerieben, um zu verhindern, dass sie während des Versandes Rost ansetzen. Beachten Sie dazu auch Zeichnung 11B.

HINWEIS: Um die Brenn- und Grilleistung Ihrer Garroste zu erhalten, ist eine regelmäßige Pflege und Wartung erforderlich. Siehe Anleitung im Handbuch.



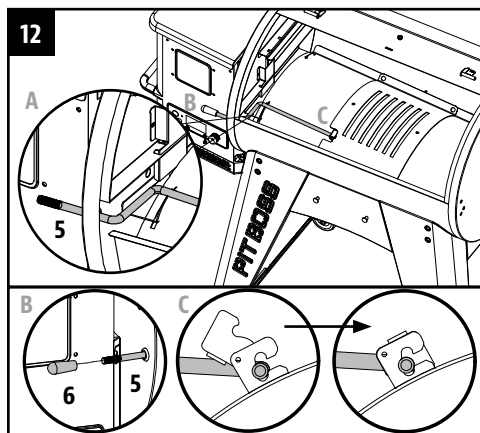
12. MONTAGE DER EINSTELLSTANGE FÜR DEN BRATROST

Erforderliche Teile:

- 1 x Einstellstange für den Bratrost (#5)
- 1 x Einstellstangenhalter für den Bratrost (#6)

Montage:

- Stecken Sie die Einstellschiene für den Bratrost durch das Öffnungsloch auf der linken Seite des Barrels. Bringen Sie den Einstellstangenhalter für den Bratrost an dem Ende außerhalb des Barrels an. Schieben Sie anschließend das gekerbte Ende der Einstellstange in die Verriegelungslasche des Bratrostschiebers, sodass Sie den Bratrostschieber auf der Hauptplatte problemlos einstellen können.



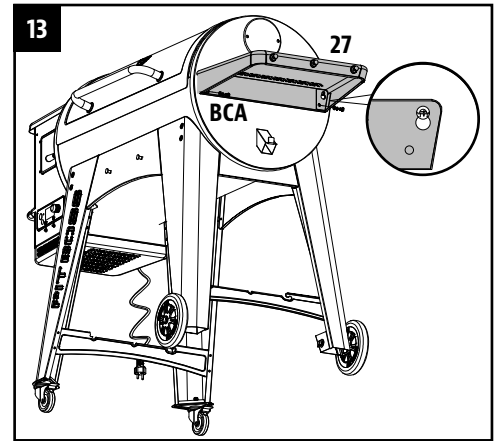
13. MONTAGE DER SEITLICHEN ABLAGE

Erforderliche Teile:

- 1 x Tisch rechts (#27)
- 2 x Schraube (#A)
- 2 x Unterlegscheibe (#B)
- 2 x Sicherungsscheibe (#C)

Montage:

- Lösen Sie die beiden vorinstallierten Schrauben an der Seite des Barrels. Hängen Sie zuerst die seitliche Ablagefläche an den Schrauben ein und ziehen Sie dann die beiden zuvor gelösten Schrauben fest.
- Befestigen Sie die seitliche Ablagefläche mit zwei Schrauben, Unterlegscheiben und Sicherungsscheiben von unten an der Seitenwand des Barrels.



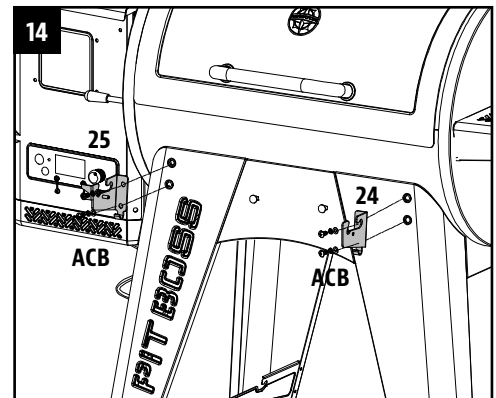
14. SICHERUNG DER VORDEREN ABLAGEHALTERUNGEN

Erforderliche Teile:

- 1 x Halterung der vorderen Ablage rechts (#24)
- 1 x Halterung der vorderen Ablage links (#25)
- 4 x Schraube (#A)
- 4 x Unterlegscheibe (#B)
- 4 x Sicherungsscheibe (#C)

Montage:

- Befestigen Sie die vordere Ablageflächenhalterung mit zwei Schrauben, Unterlegscheiben und Sicherungsscheiben am vorderen Stützbein.



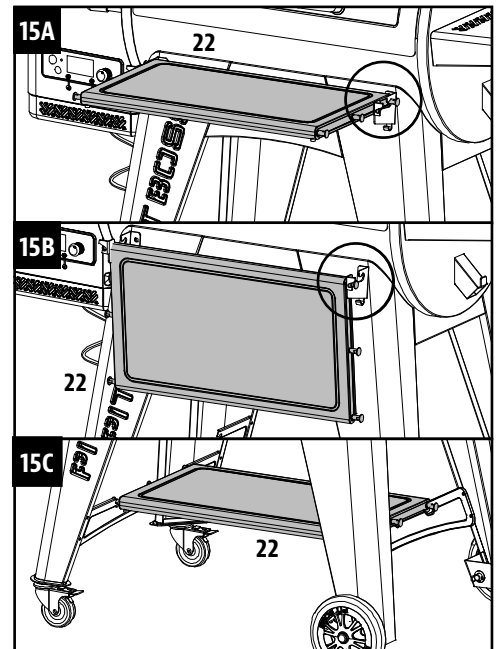
15. MONTAGE DER VORDEREN ABLAGE

Erforderliche Teile:

- 1 x Vordere Ablage (#22)

Montage:

- Legen Sie die vordere Ablagefläche auf die vorderen Ablageflächenhalterungen. Beachten Sie dazu auch Zeichnung 15A (hochgeklappte vordere Ablagefläche).
- Beachten Sie dazu auch Zeichnung 15B (heruntergeklappte vordere Ablagefläche).
- Die vordere Ablagefläche kann auch auf die unteren Stützplatten angebracht werden und so als Ablagefläche unten genutzt werden. Beachten Sie dazu auch Zeichnung 15C.



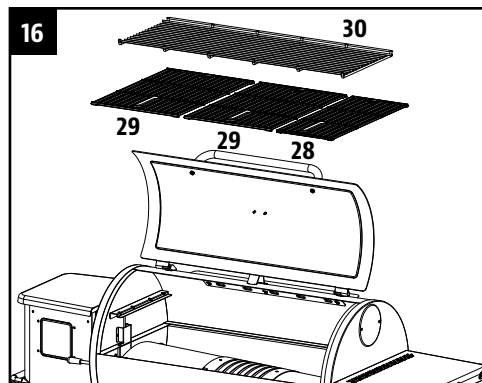
16. MONTAGE DER EINZELNEN TEILE DES GRILLKOCHERS

Erforderliche Teile:

- 1 x Grillrost A (#28)
- 2 x Grillrost B (#29)
- 1 x Warmhalterost (#30)

Montage:

- Legen Sie die Garroste nebeneinander auf die Gitterleiste im Inneren des Hauptgrills.
- Legen Sie den oberen Garguthalter auf die obere Leiste im Inneren des Hauptgrills. Der Warmhalterost rastet ein.



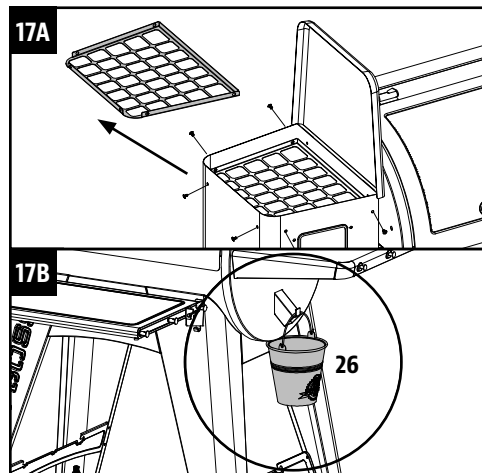
17. MONTAGE DES FETTEIMERS

Erforderliche Teile:

- 1 x Fetteimer (#26)

Montage:

- Lösen Sie die sechs Schrauben entlang der Außenseite des Schornsteins, mit denen die Schornstein-Sicherheits Scheibe an der Innenseite befestigt ist, und entfernen Sie die Sicherheits Scheibe, um Zugang zum Fetteimer zu erhalten. Setzen Sie das Schornstein-Sicherheitsgitter wieder ein und ziehen Sie die sechs Schrauben wieder fest. Beachten Sie dazu auch Zeichnung 17A.
- Montieren Sie den Fetteimer am Auslaufhaken am Ende des Barrels. Achten Sie darauf, dass er so angebracht ist, dass kein Fett auslaufen kann. Beachten Sie dazu auch Zeichnung 17B.
- Die Einheit ist jetzt vollständig montiert.

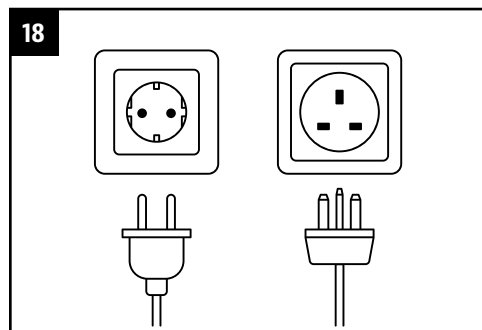


18. ANSCHLUSS AN DIE STROMVERSORGUNG

HINWEIS: Bevor Sie Ihren Pit Boss® an den Strom anschließen, achten Sie bitte darauf, dass das Temperaturread auf OFF (AUS) gestellt ist.

- **STANDARD-STECKDOSE**
Dieses Gerät benötigt 220-240 Volt, 50Hz, 250w Stromanschluss. Es muss ein geerdeter Stecker sein.

WICHTIG: Trennen Sie das Gerät, wenn es nicht verwendet wird, von der Stromquelle.



WICHTIG: Hinweise zum Betrieb finden Sie im Handbuch des Gerätes.



IMPORTANT

DO NOT RETURN PRODUCT TO STORE

For all questions, comments, or inquiries, please contact Dansons directly:
www.pitboss-grills.com

IMPORTANT

NE RETOURNEZ PAS LE PRODUIT AU MAGASIN

Pour toute questions, commentaires ou demandes de renseignements,
veuillez communiquer avec Dansons directement : www.pitboss-grills.com

¡IMPORTANTE!

NO DEVUELVA EL PRODUCTO A LA TIENDA

Para el preguntas, comentarios o consultas, por favor contactar Dansons
directamente : www.pitboss-grills.com

WICHTIG

PRODUKT NICHT INS LAGER ZURÜCKSCHICKEN

Wenden Sie sich für Fragen, Anmerkungen oder Anfragen direkt an Dansons:
www.pitboss-grills.com

IMPORTANTE

NON RESTITUIRE QUESTO PRODOTTO AL NEGOZIO

Per qualsiasi domanda, commento o richiesta, contattare direttamente Dansons:
www.pitboss-grills.com

PITBOSS-GRILLS.COM

**MADE IN CHINA | FABRIQUÉ EN CHINE | HECHO EN CHINA
IN CHINA HERGESTELLT | FABBRICATO IN CINA**



© 2021 DANSONS
602211213UMV