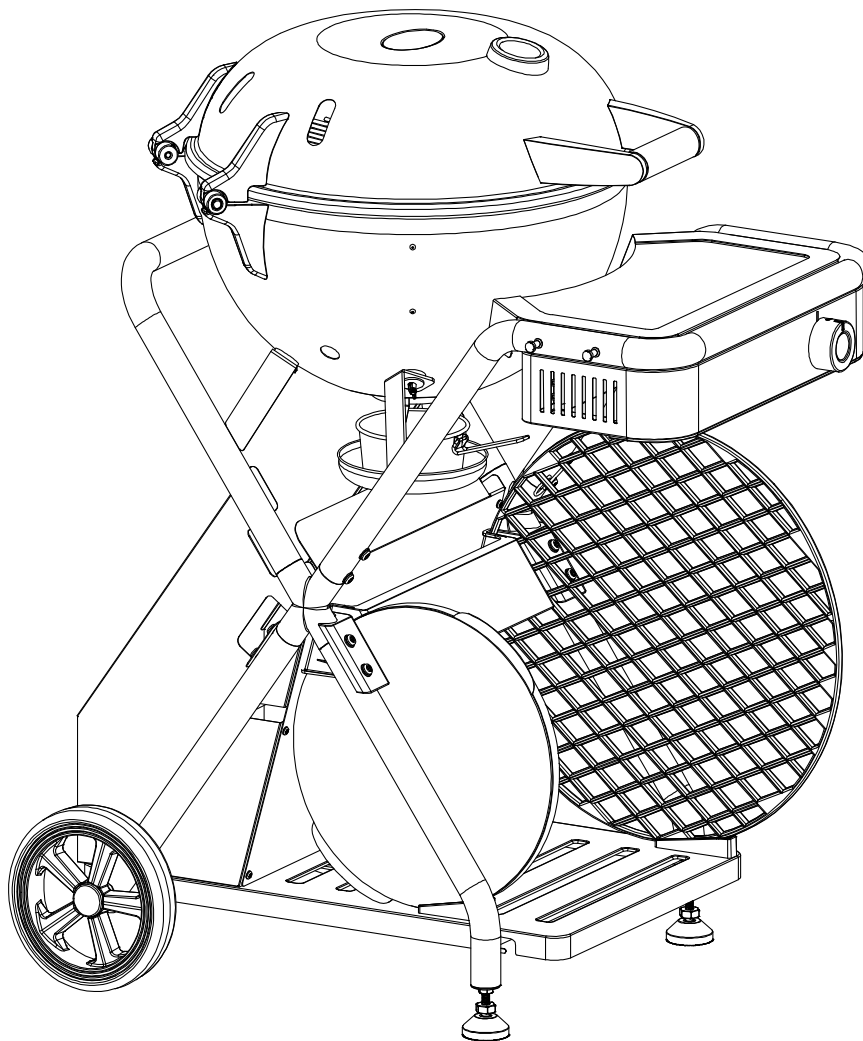


# UNTERBAU KIT | ACCESSORY HOLDER KIT

Aufbauanleitung | Assembly Instruction



**OUTDOORCHEF**  
SWISS INNOVATION


## INHALTSVERZEICHNIS | TABLE OF CONTENTS


|        |  |
|--------|--|
| S. 3   | Montagematerial   Hardware Set         |
| S. 4-7 | Aufbauanleitung   Assembly Instruction |


Lesen Sie die separate Bedienungsanleitung sorgfältig durch, bevor Sie Ihren **OUTDOORCHEF** Grill in Betrieb nehmen.

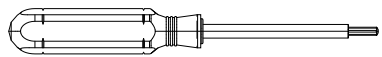
Please read the separate user manual carefully before using your **OUTDOORCHEF** Barbeque.

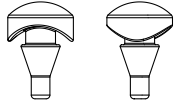
18.379.62

| M5x12          |    |   |
|----------------|----|---|
| 6x             | zf |  |
| Art. 18.371.96 |    |   |

| M4 Wingnut     |    |   |
|----------------|----|---|
| 4x             | bj |  |
| Art. 18.372.05 |    |   |

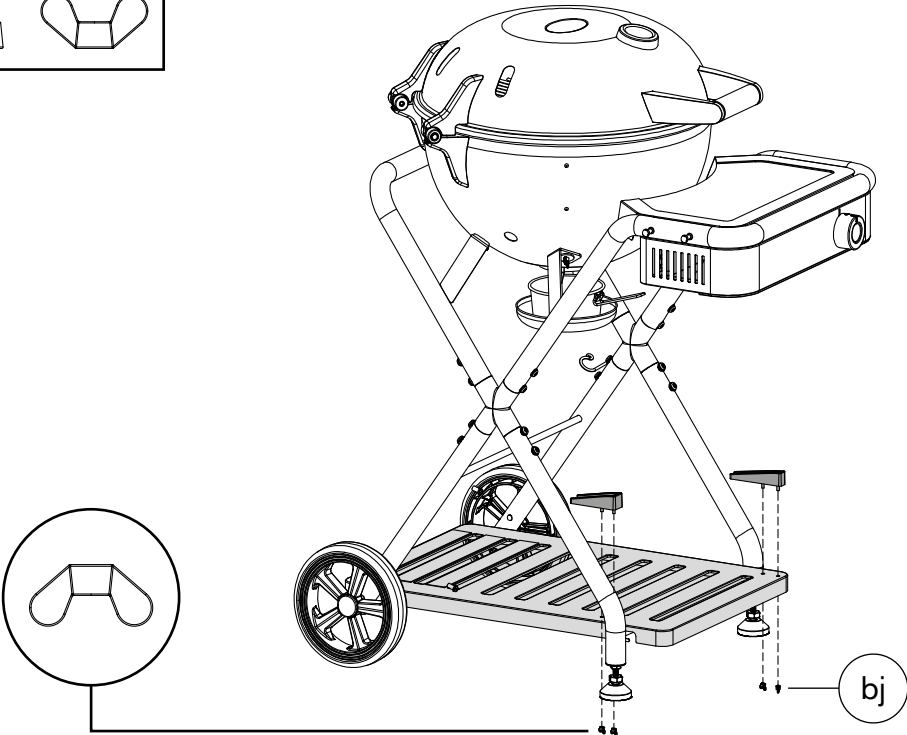
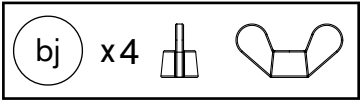
| Socket wrench M6 |    |   |
|------------------|----|---|
| 1x               | au |  |
| Art. 18.371.70   |    |   |

| Screwdriver M5 |    |   |
|----------------|----|---|
| 1x             | ay |  |
| Art. 18.371.75 |    |   |

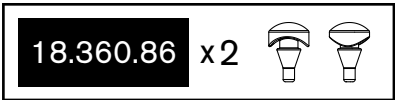
| Protection Pin |  |  |
|----------------|--|--|
| 2x             |  |  |
| Art. 18.360.86 |  |  |

# UNTERBAU KIT | ACCESSORY HOLDER KIT

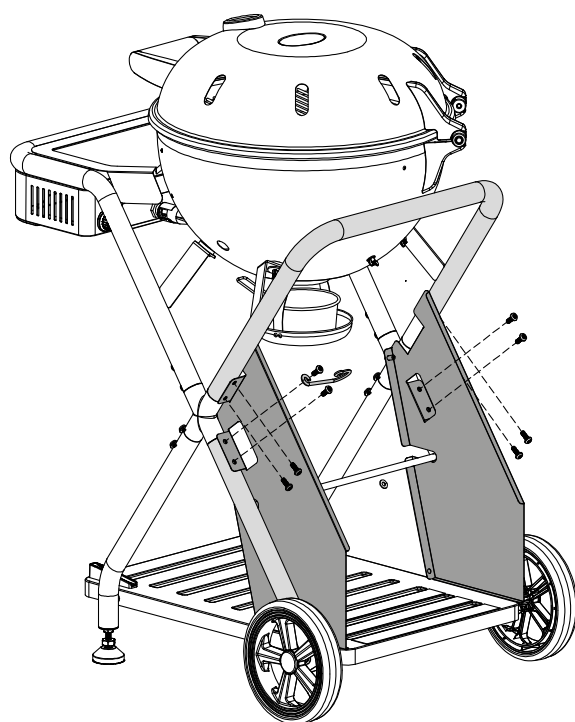
1.



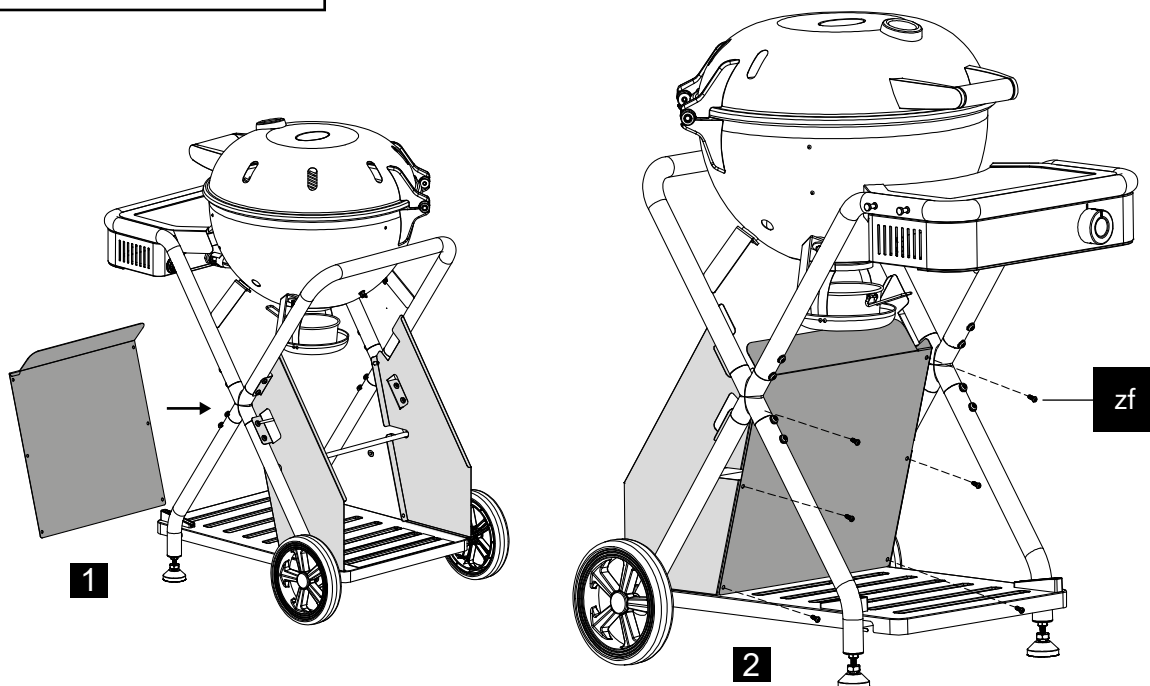
2.



3.

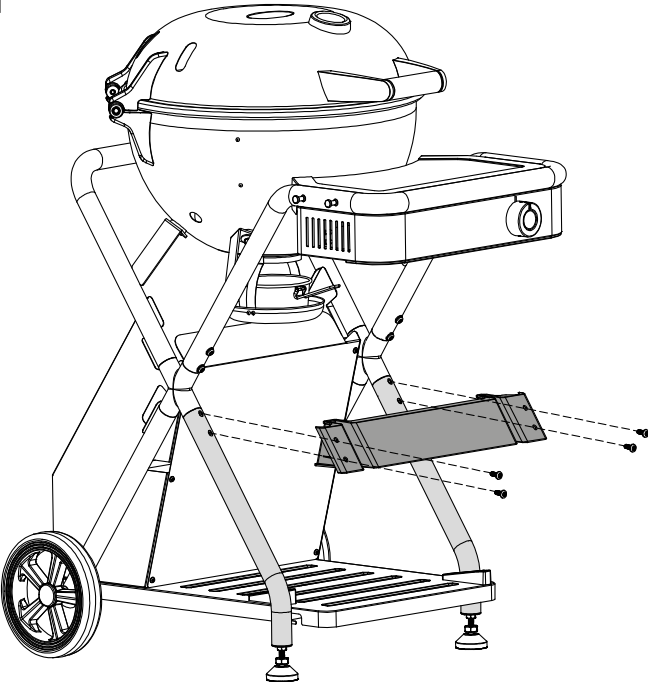
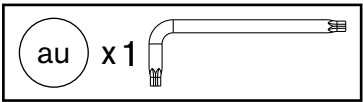


4.

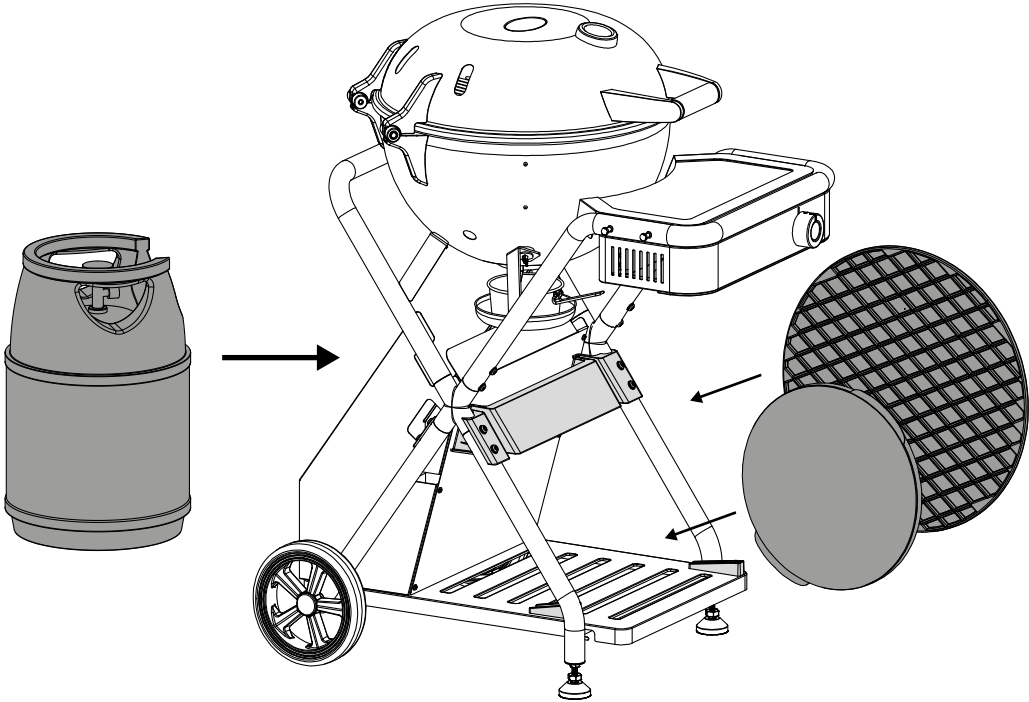


# UNTERBAU KIT | ACCESSORY HOLDER KIT

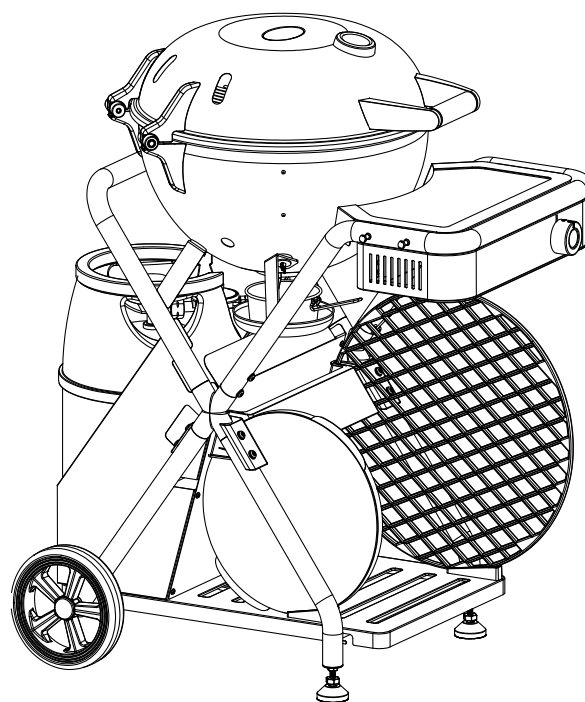
5.



6.



7.





**Outdoorchef AG** | Eggbühlstrasse 28 | Postfach | 8050 Zürich | Switzerland  
**Outdoorchef Benelux B.V.** | Brabantsehoek 8 | 5071 NM Udenhout | The Netherlands  
**Outdoorchef Austria GmbH** | Handelskai 94-96 / 23rd & 24th F | 1200 Vienna | Austria  
**Outdoorchef Deutschland GmbH** | Ochsenmattstr. 10 | 79618 Rheinfelden | Germany