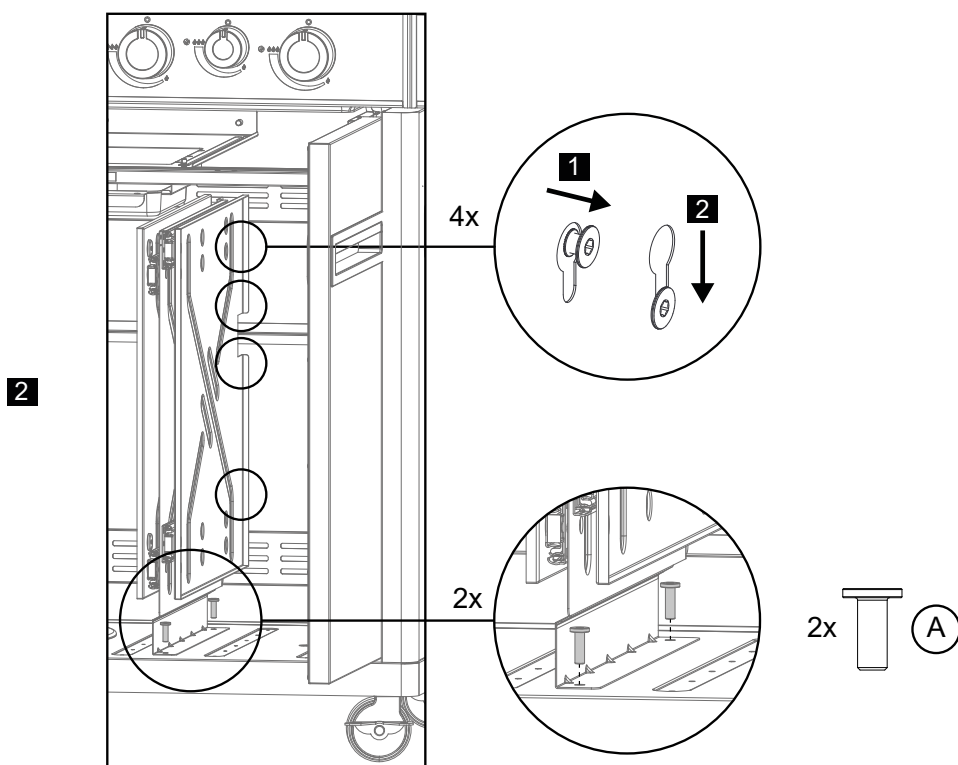
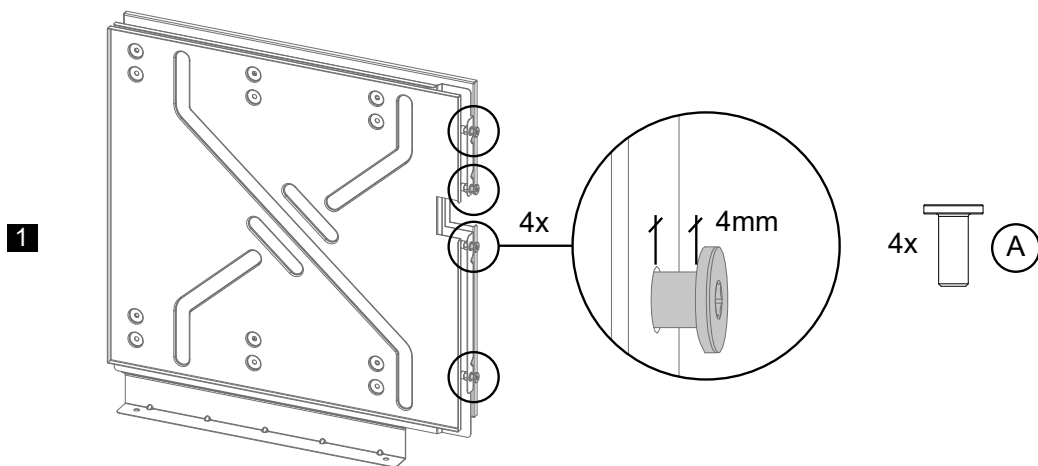
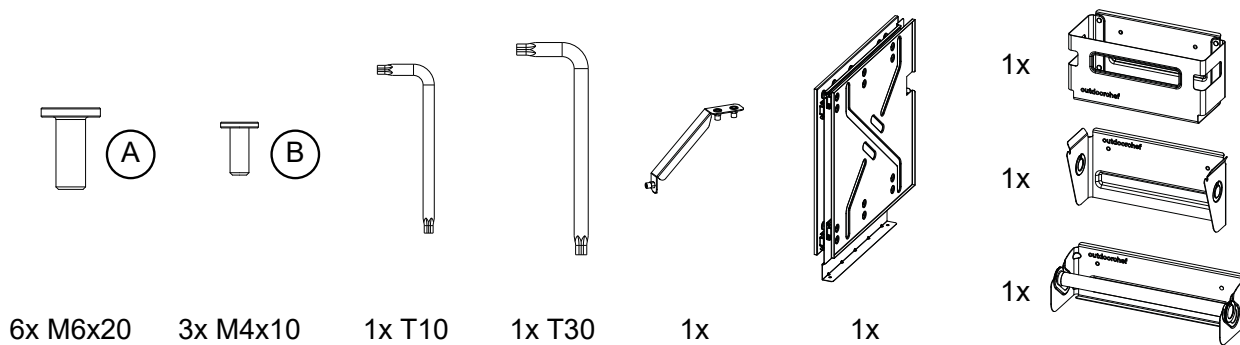
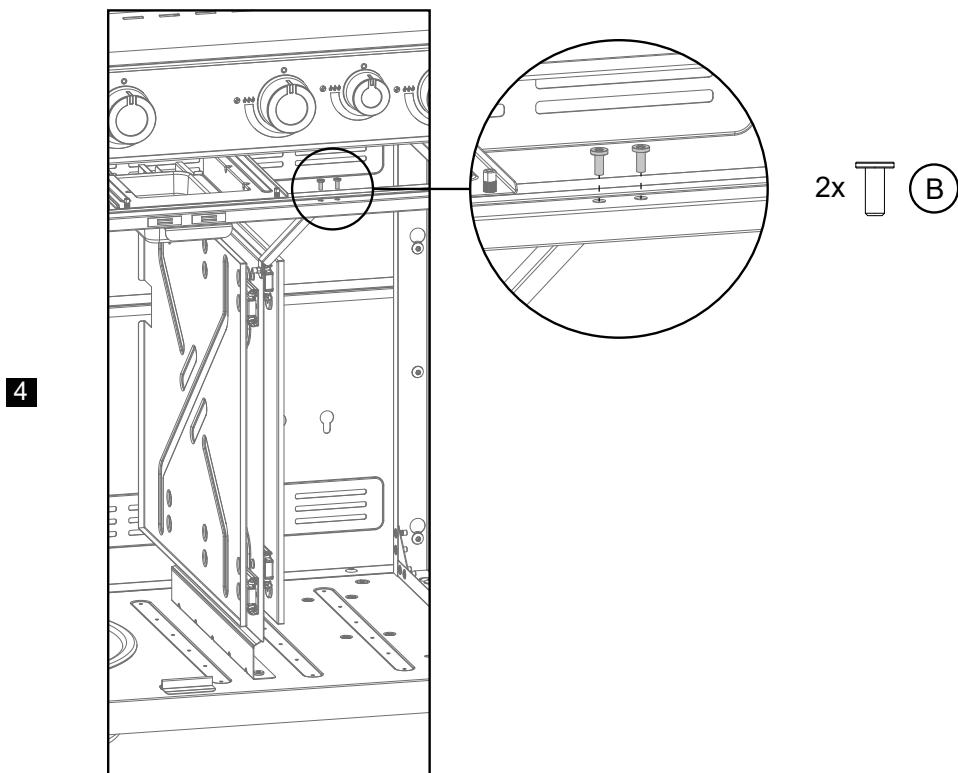
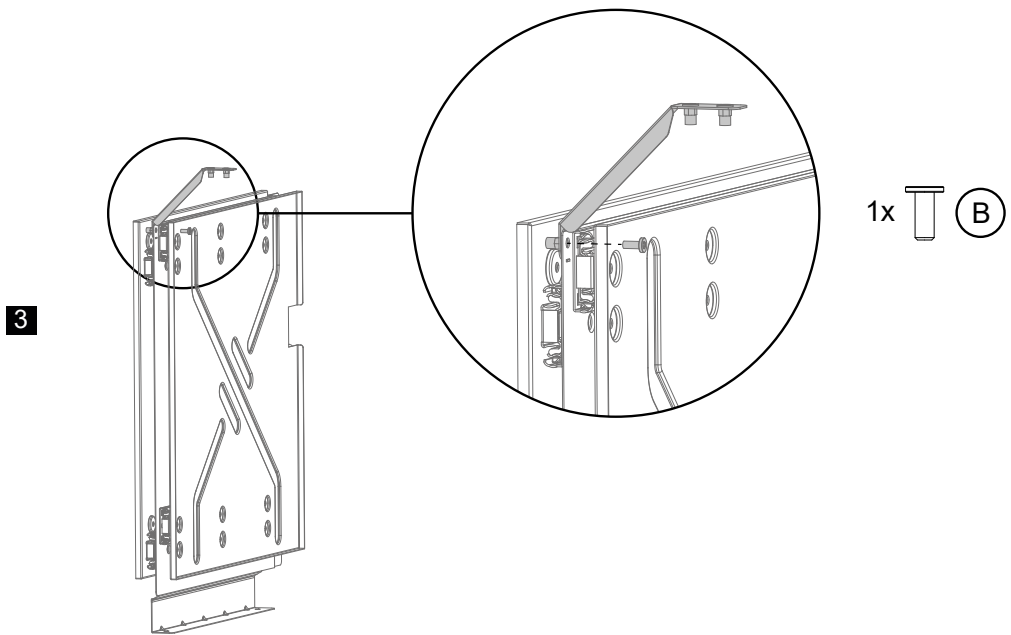
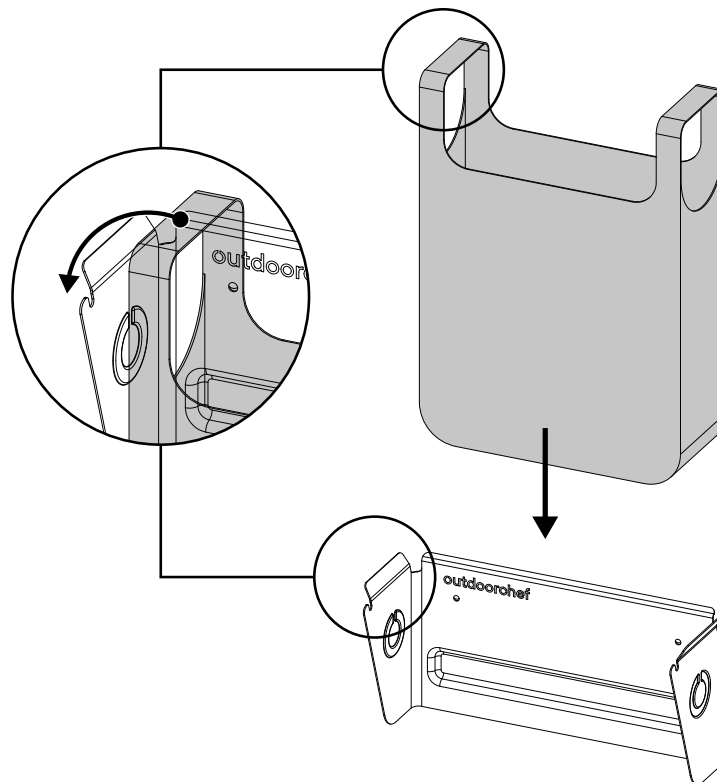
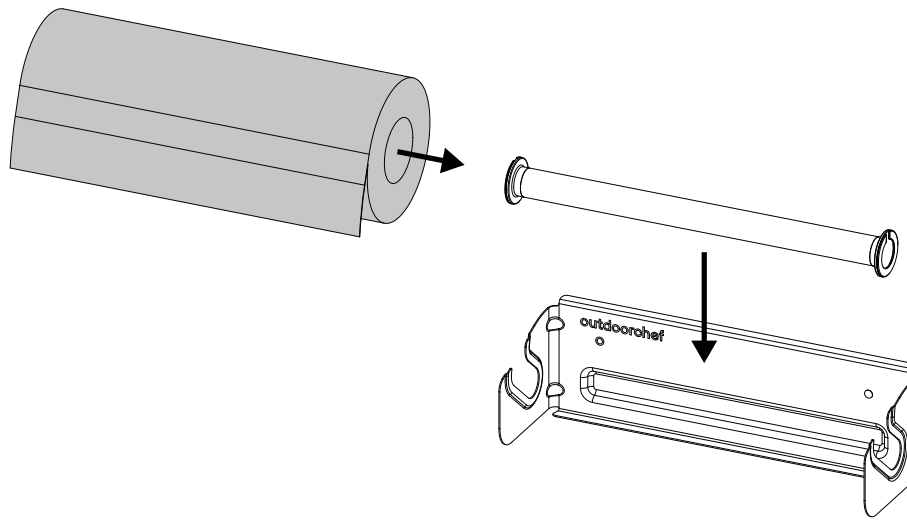


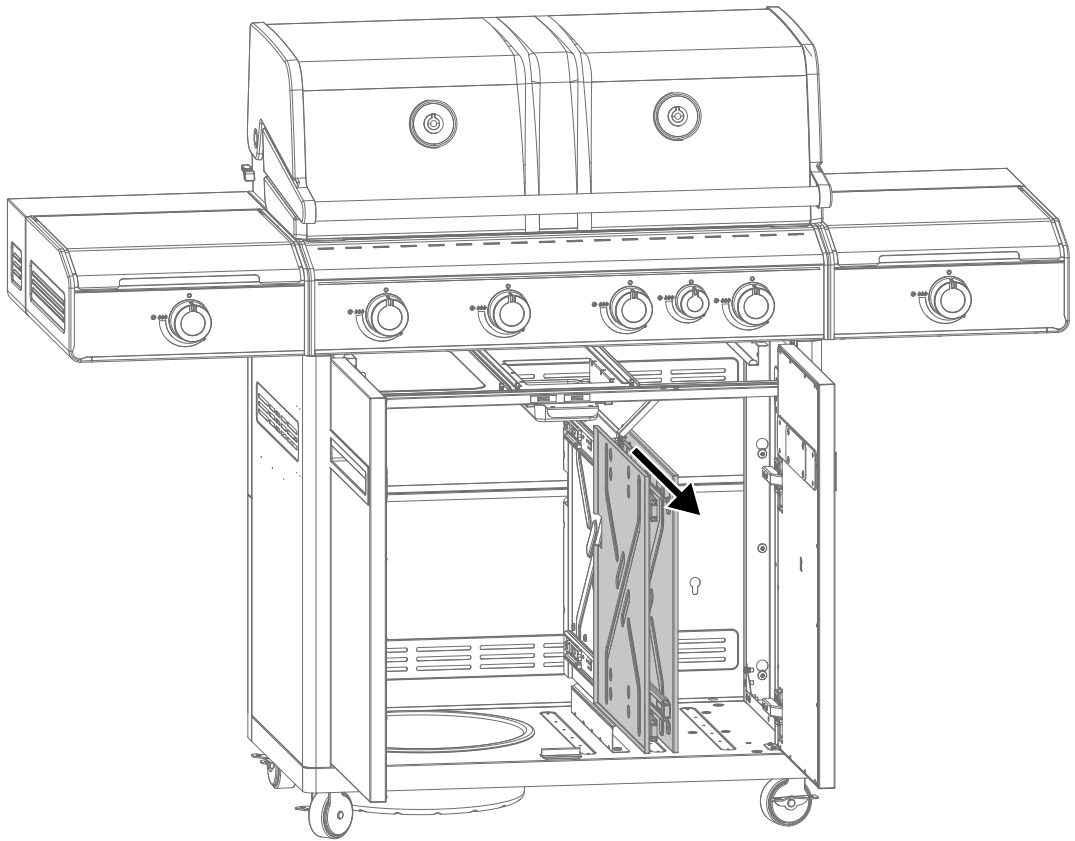
18.213.14







1



2

