

HEAT X-415 RB K

Aufbauanleitung | Assembly Instruction

Achtung

Bitte notieren Sie auf der Rückseite Ihrer Gebrauchsanweisung die Serien-Nummer. Je nach Grillmodell finden Sie die Nummer auf dem Datensticker, welcher sich entweder am Grillgestell oder auf der Bodenplatte befindet. **OUTDOORCHEF** kann Garantie und Ersatzteillieferungen nur mit der Serien-Nummer bearbeiten. Outdoorchef AG operates a policy of continuous product development and improvement. As such we reserve the right to alter product design and or technical specification without giving any prior notice.

Attention

Please write your serial number on the backside of the manual for future reference. You will find the number on the data plate attached to the trolley or the bottom plate depending on the grill model. **OUTDOORCHEF** can only supply spare parts and honour warranty returns when the serial number is available.

INHALTSVERZEICHNIS | TABLE OF CONTENTS

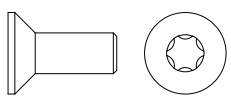
S. 5	Montagematerial Hardware Set
S. 6-20	Aufbauanleitung Assembly Instruction
S. 22-23	Sicherheitshinweis Safety Instruction
S. 24-26	Ersatzteile Spare Parts

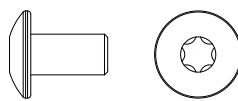
Lesen Sie die separate Bedienungsanleitung sorgfältig durch, bevor Sie Ihren OUTDOOR**CHEF** Grill in Betrieb nehmen.

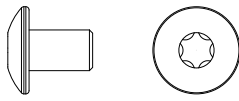
Please read the separate user manual carefully before using your OUTDOOR**CHEF** Barbeque.

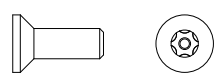
HEAT X-415 RB K

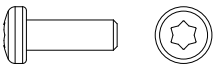
18.379.76

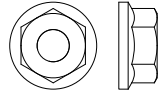
M6 x 16		
10x	ck	
Art. 18.372.41		

M6 x 12		
37x	bx	
Art. 18.372.34		

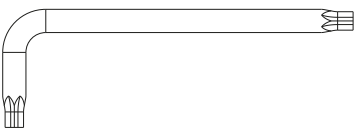
M6 x 10		
8x	zt	
Art. 18.372.46		

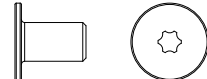
M4 x 12		
38x	ci	
Art. 18.372.38		

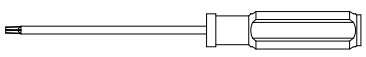
M4 x 10		
11x	zs	
Art. 18.372.35		

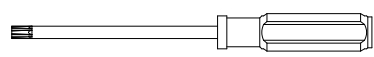
Nut M6		
2x	bu	
Art. 18.372.33		

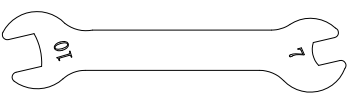
18.379.75

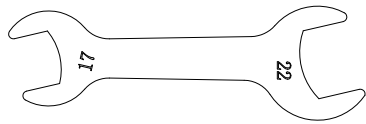
Socket wrench M6		
1x	au	
Art. 18.371.70		

M6 x 10		
4x	zq	
Art. 18.372.42		

Screwdriver M4		
1x	ax	
Art. 18.371.74		


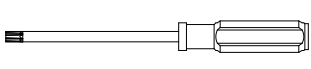

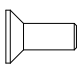




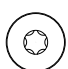
Screwdriver M6		
1x	az	
Art. 18.371.76		

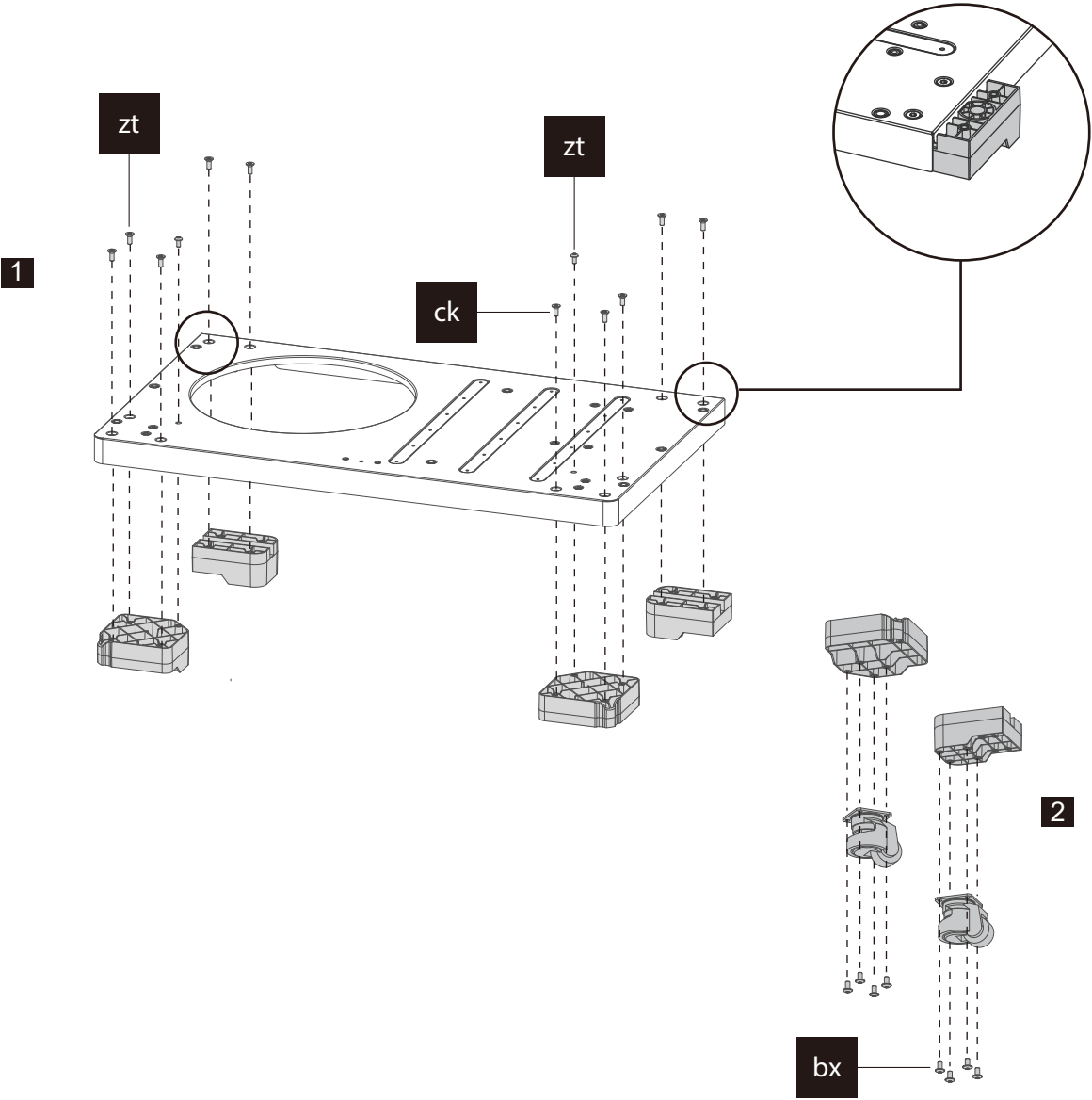
Open end wrench (S 7 + S 10)		
1x	bv	
Art. 18.372.40		

Open end wrench (S 17 + S 22)		
2x	by	
Art. 18.372.45		

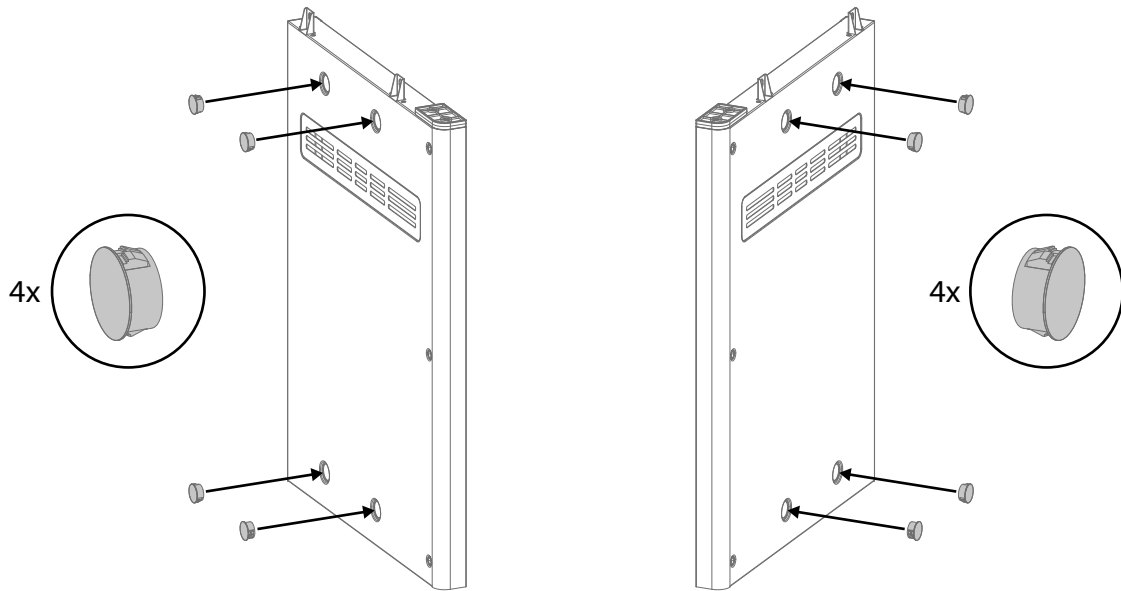
HEAT X-415 RB K

1.

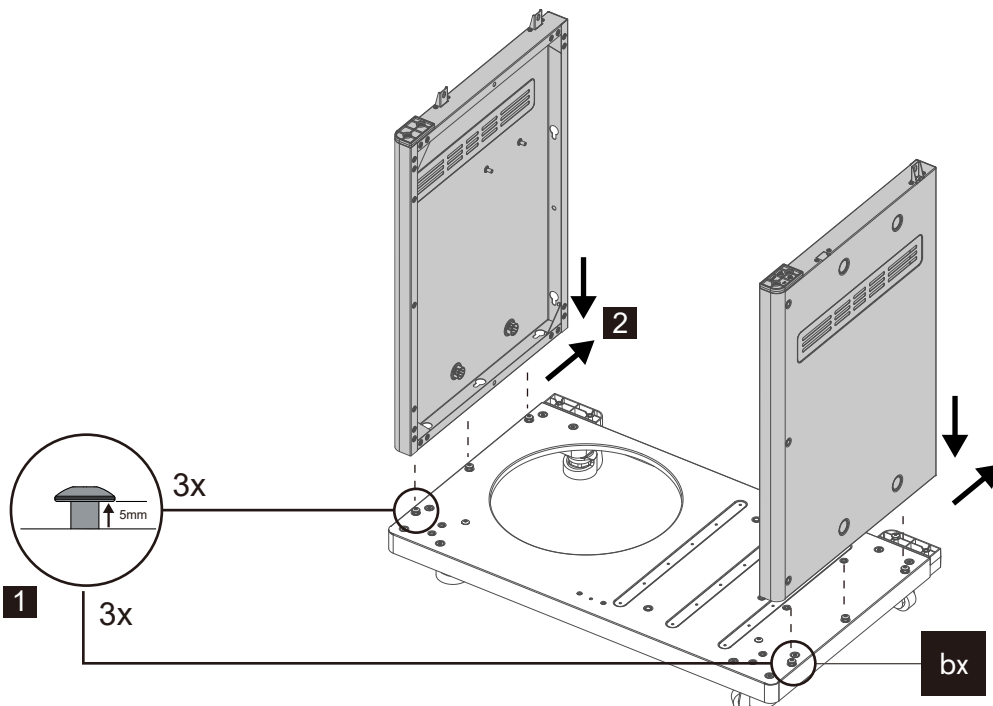
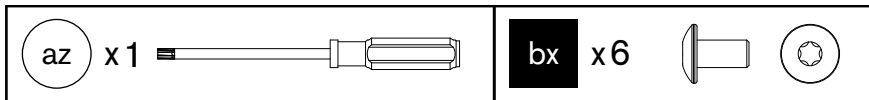
 az x1 	 ck x10  	 bx x16 
 zt x2 		



2.



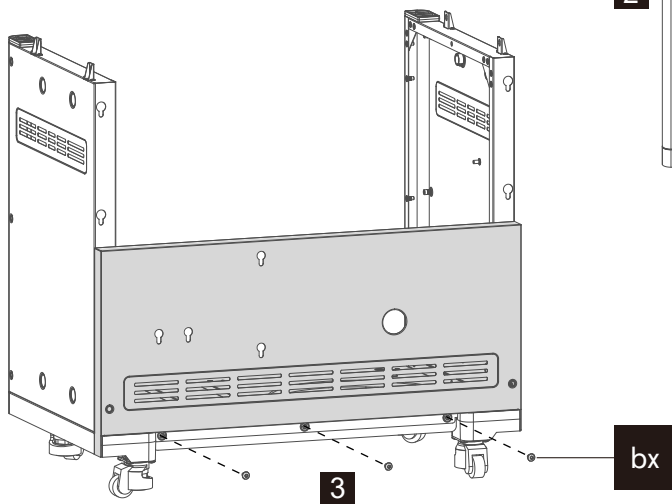
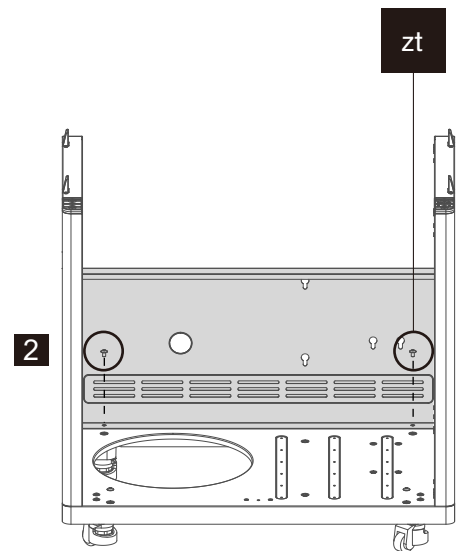
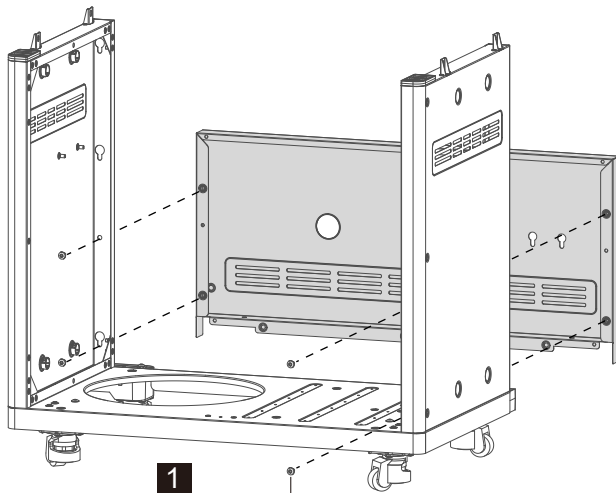
3.



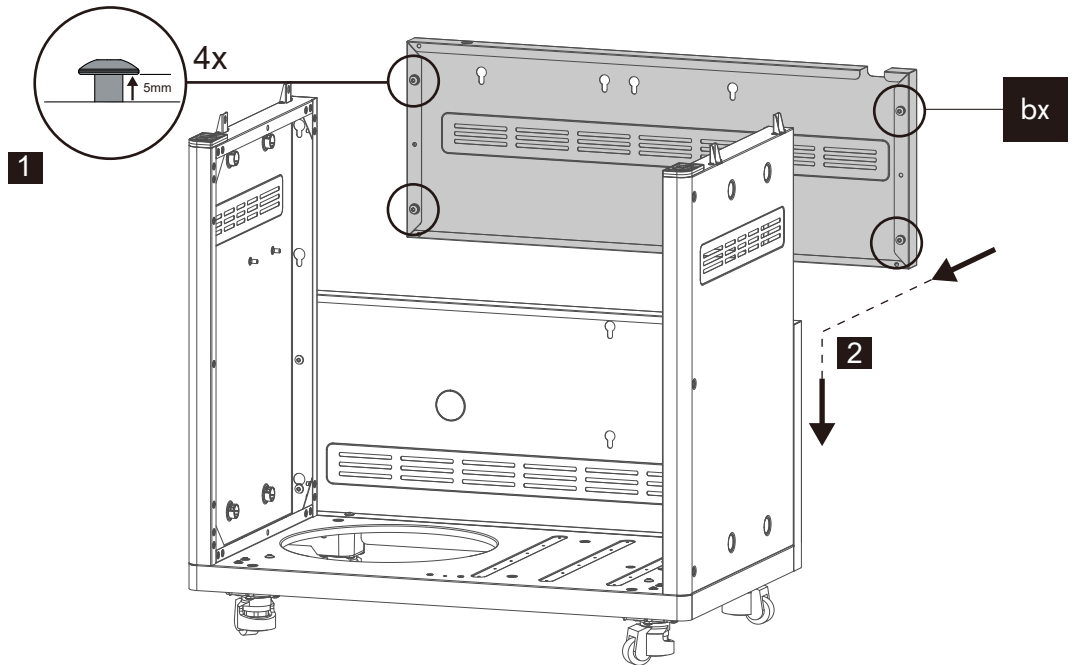
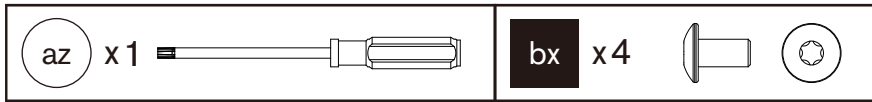
HEAT X-415 RB K

4.

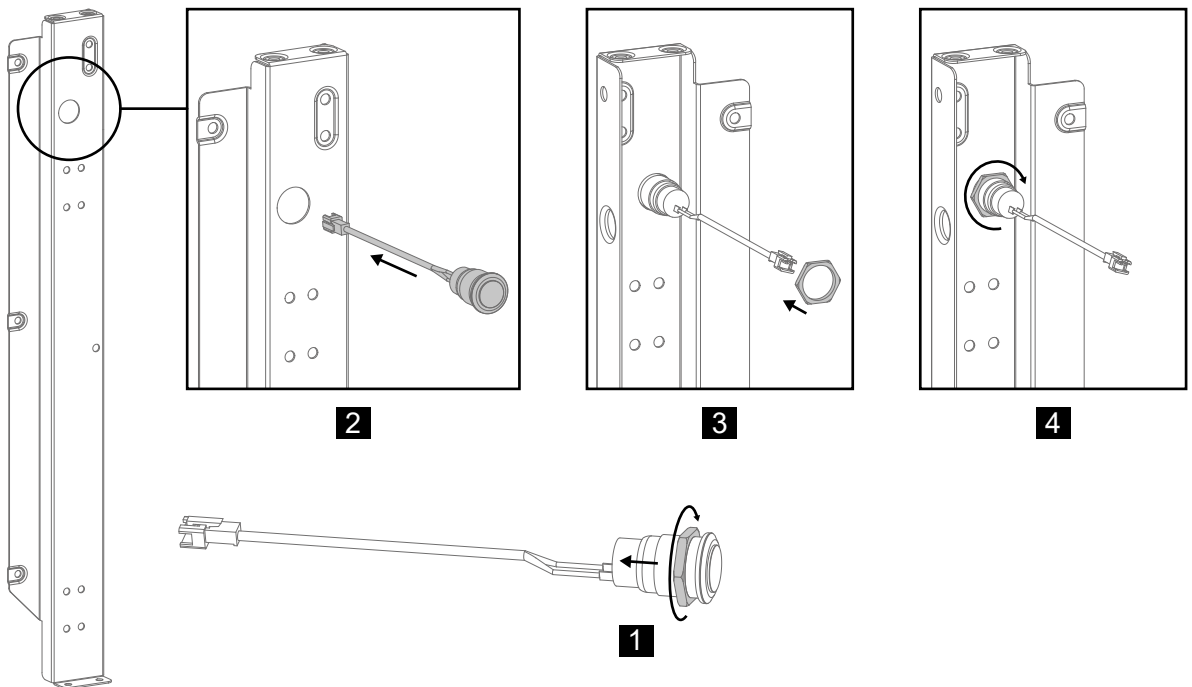
 az x1	 bx x7	 	 zt x2 
---	---	--	---



5.

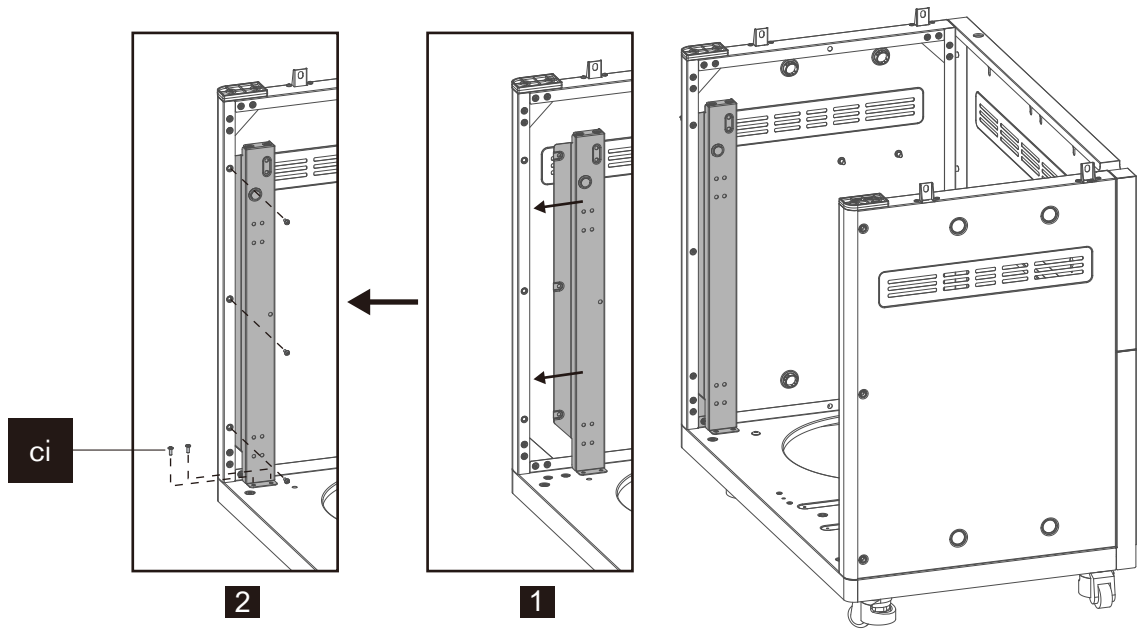
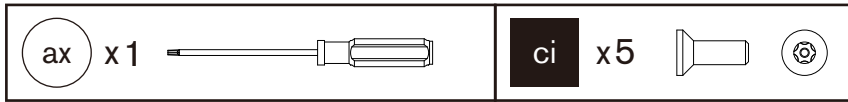


6.

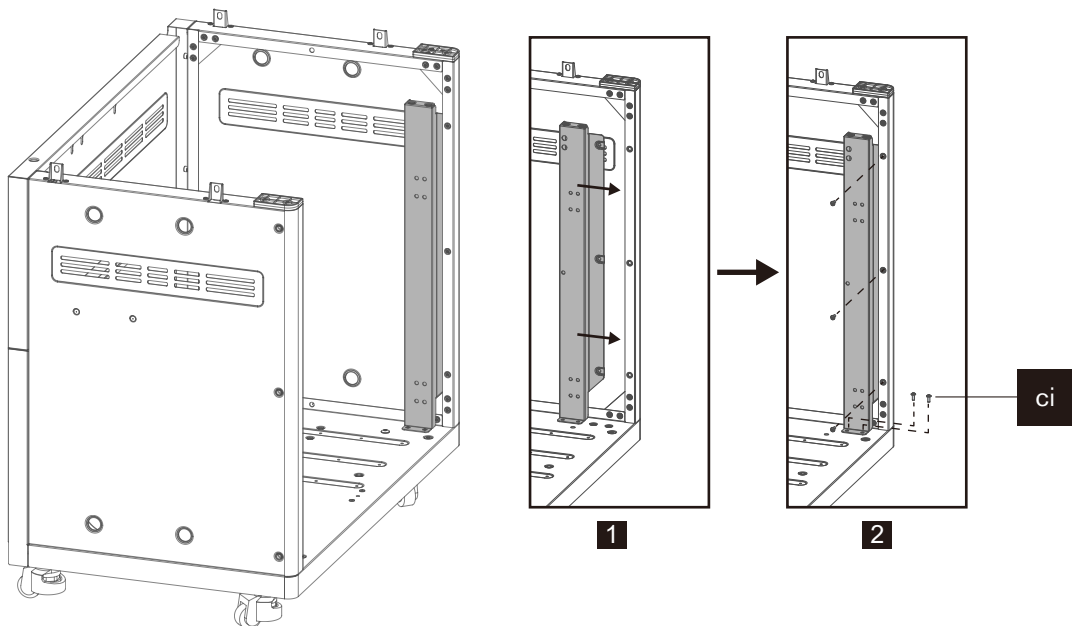
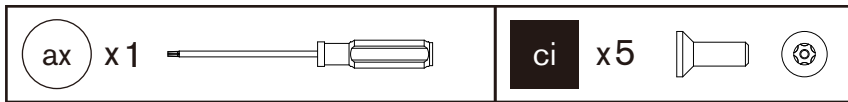


HEAT X-415 RB K

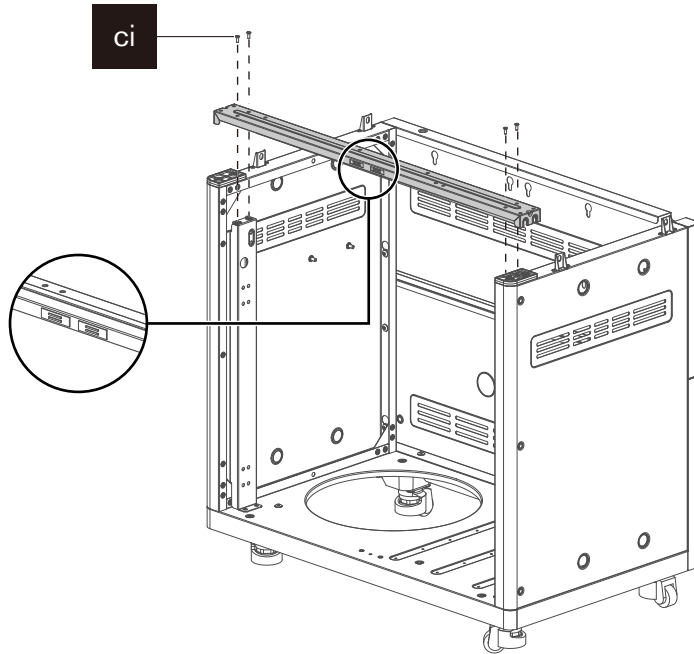
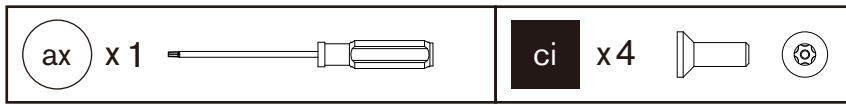
7.



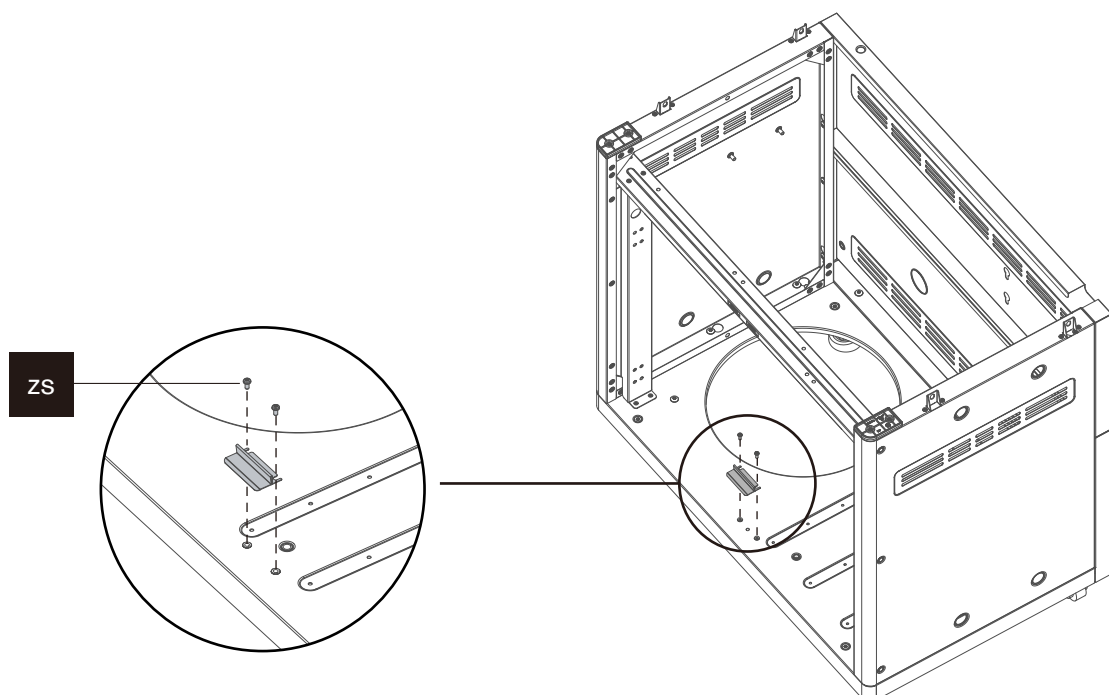
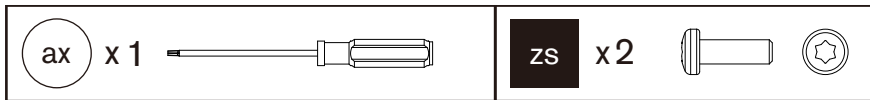
8.



9.

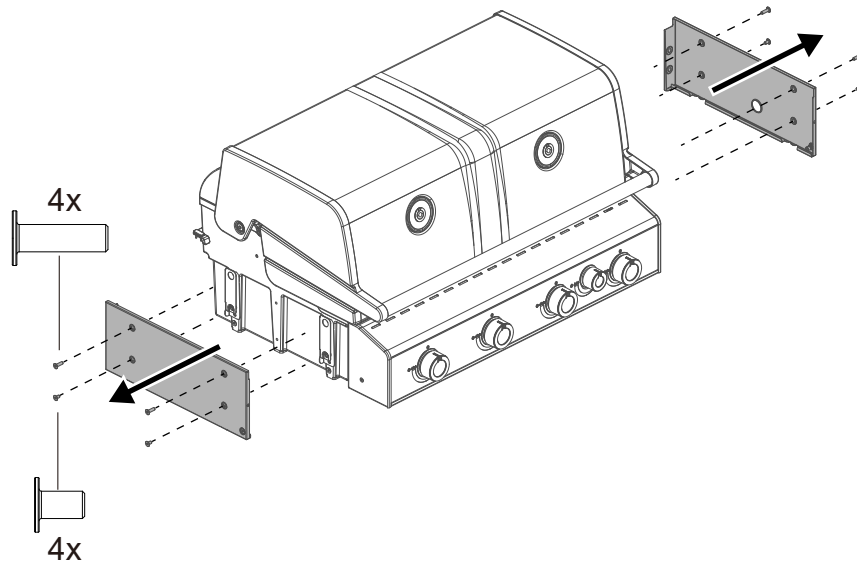
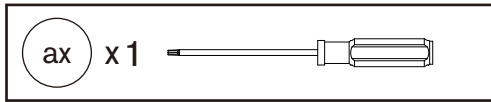


10.

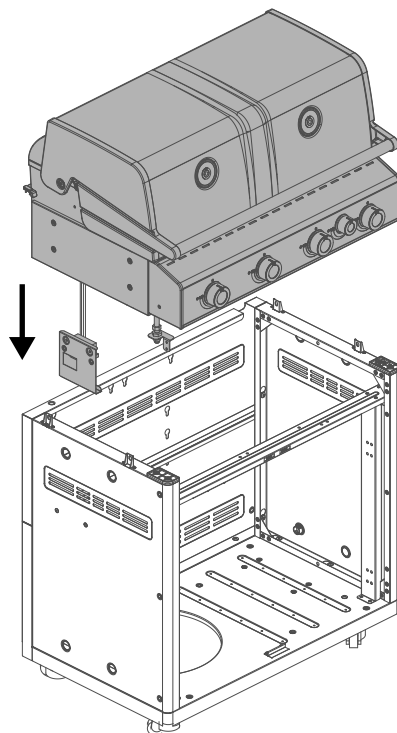


HEAT X-415 RB K

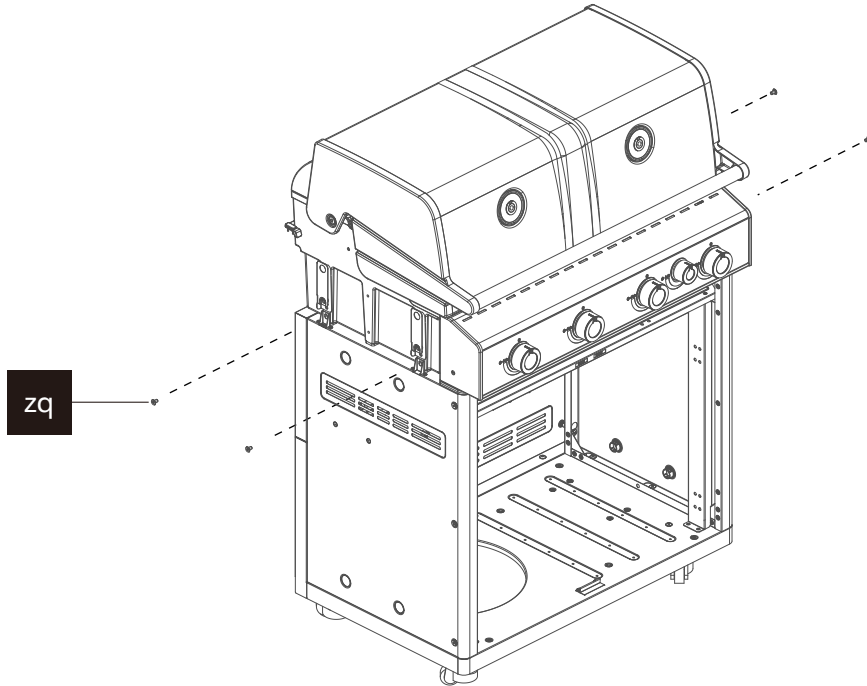
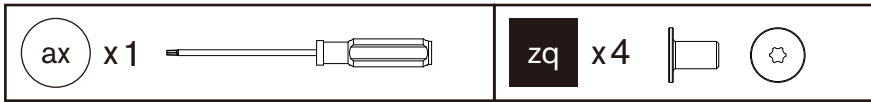
11.



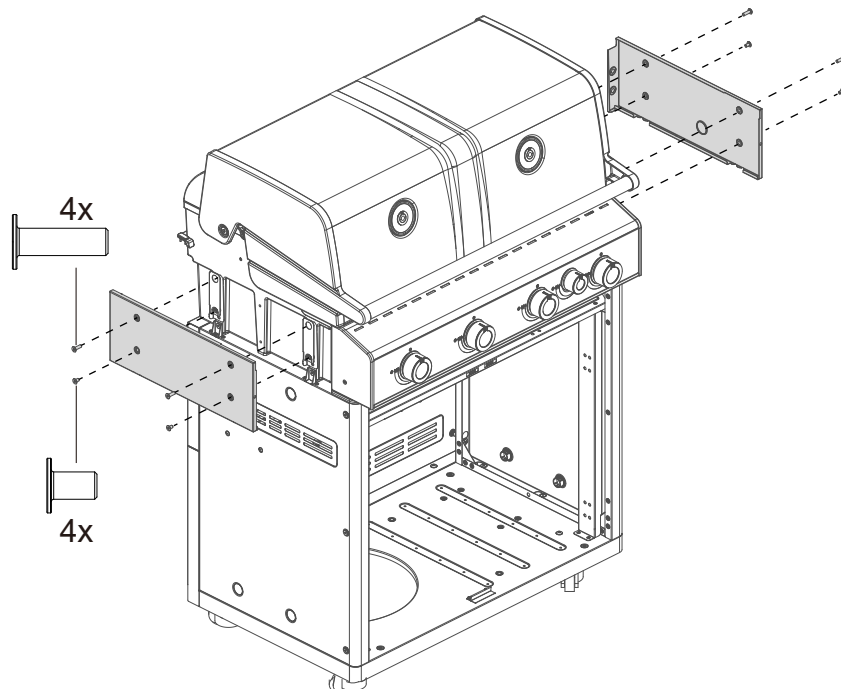
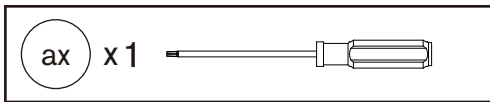
12.



13.

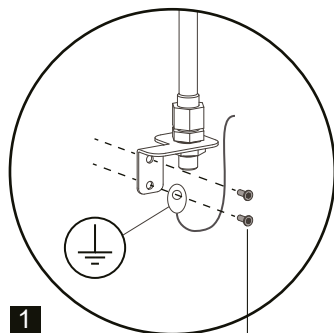
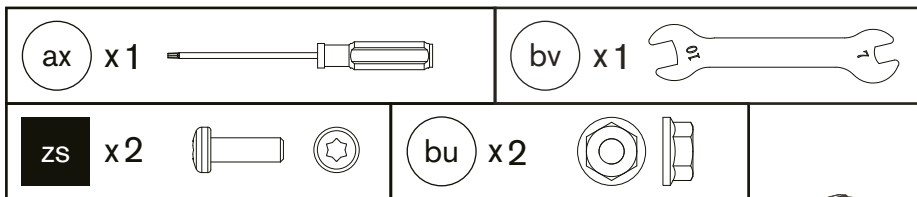


14.



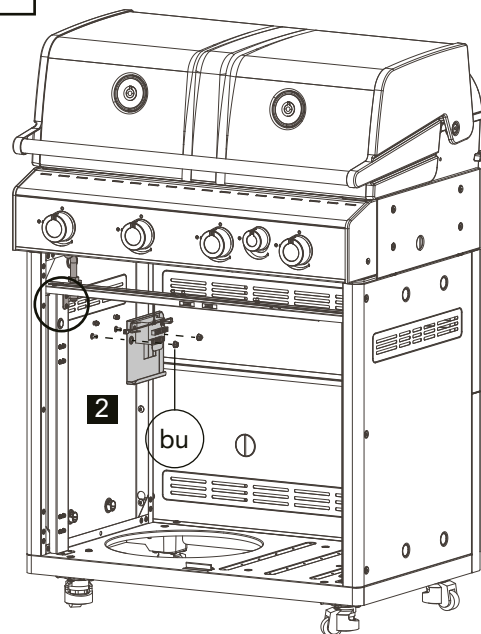
HEAT X-415 RB K

15.



1

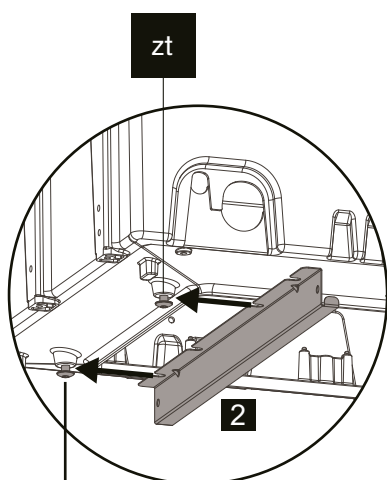
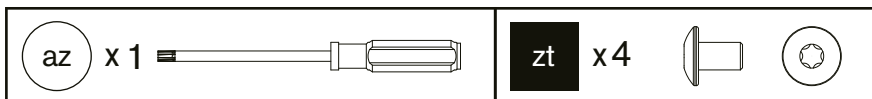
zs



2

bu

16.

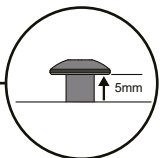


zt

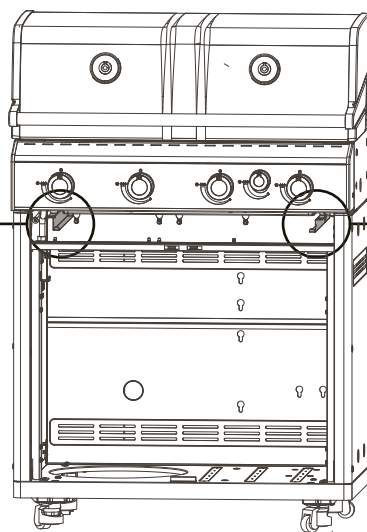
2

2x

1



5mm

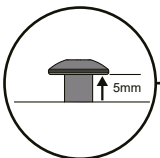


zt

2

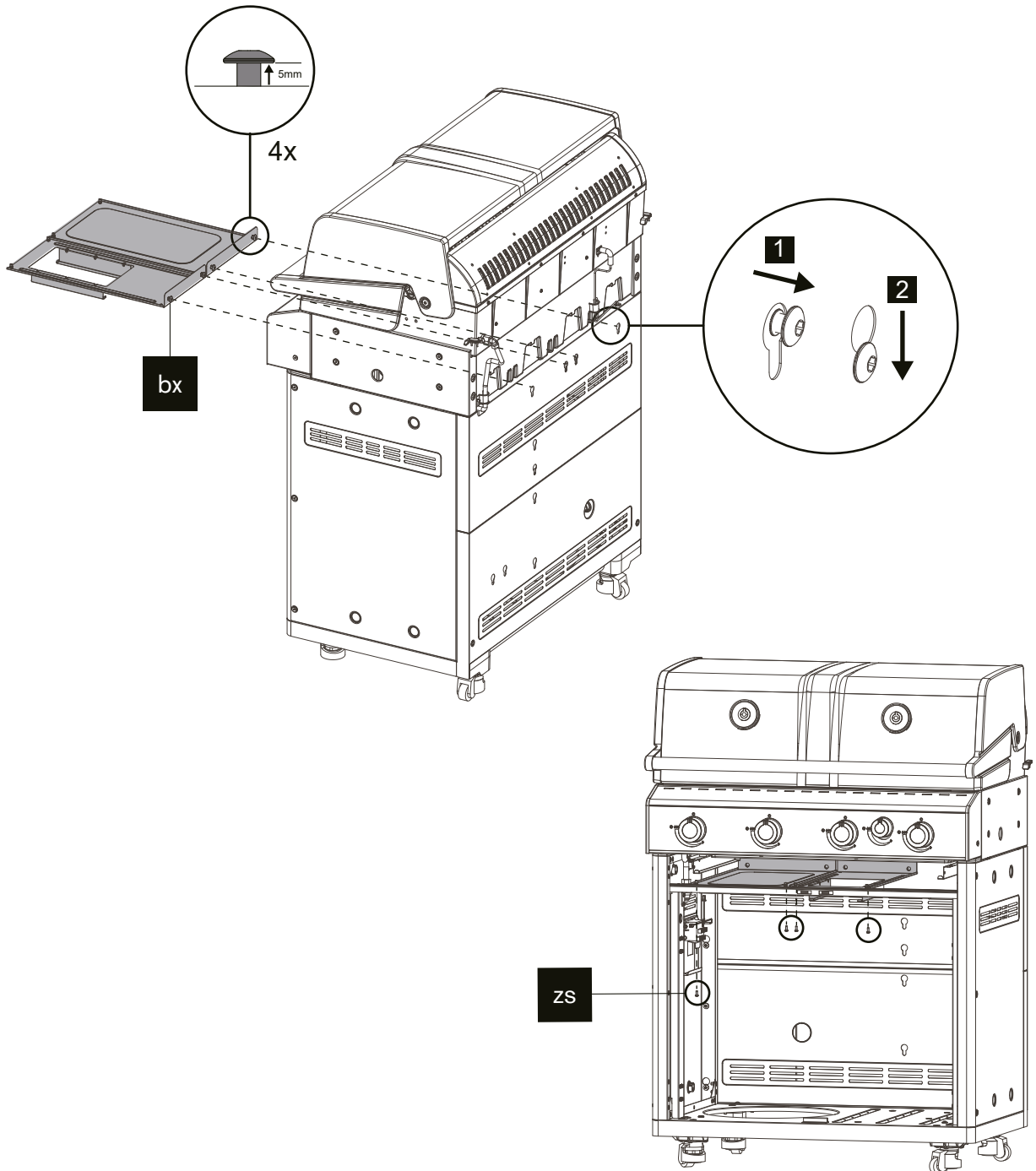
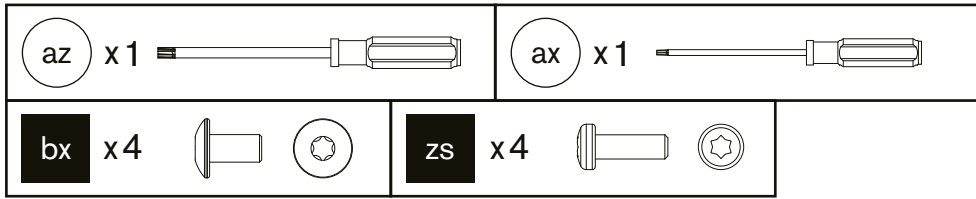
2x

1



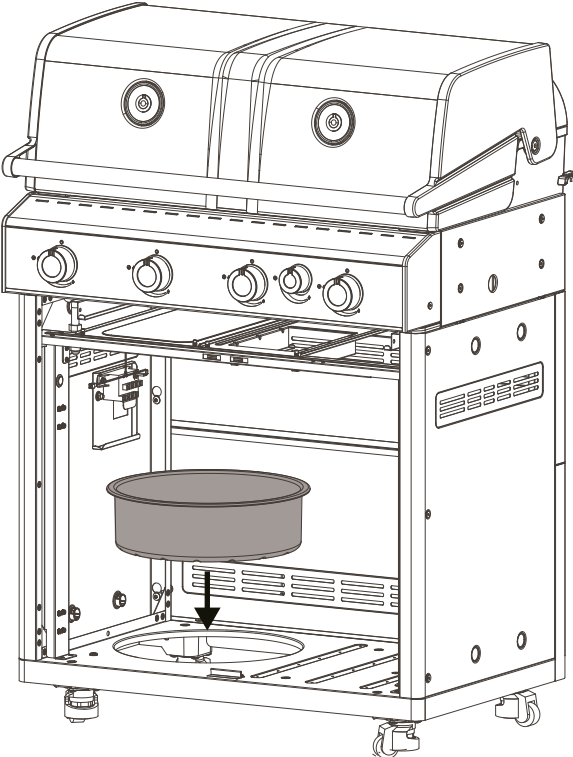
5mm

17.

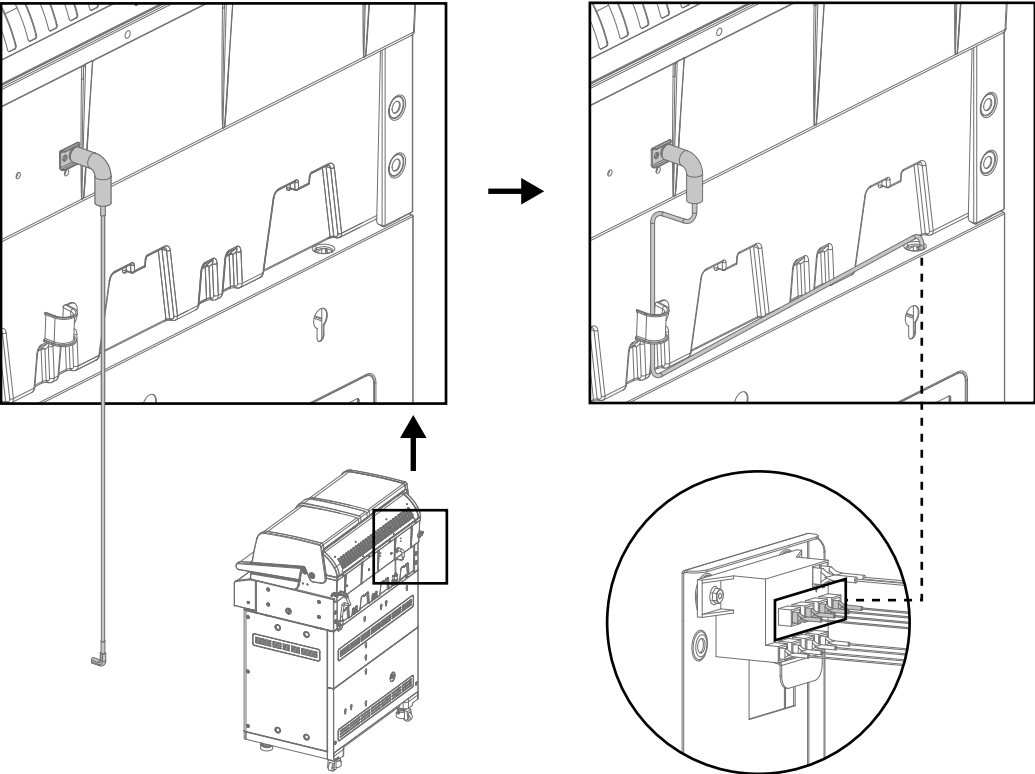


HEAT X-415 RB K



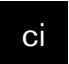
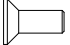

18.

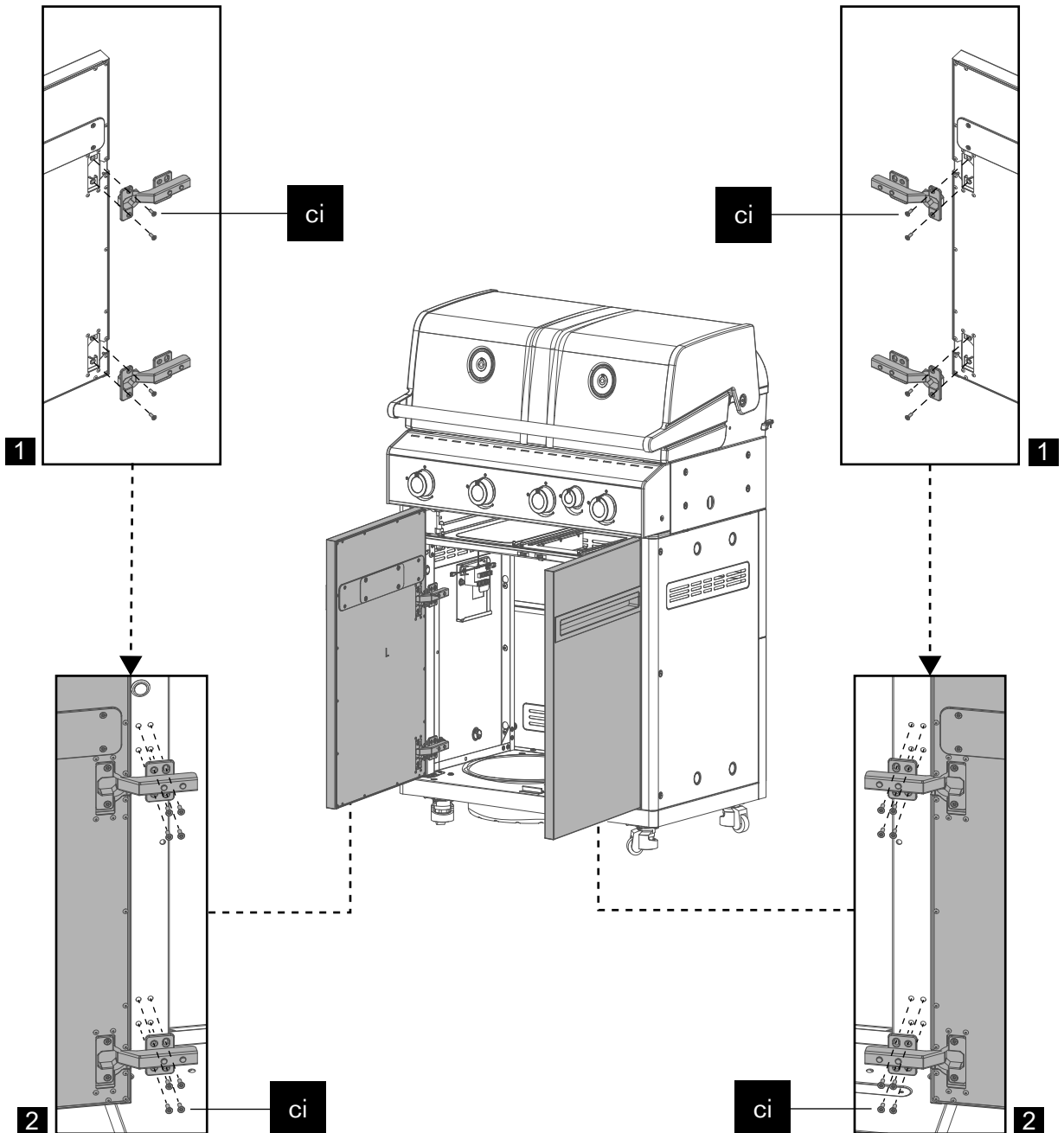


19.



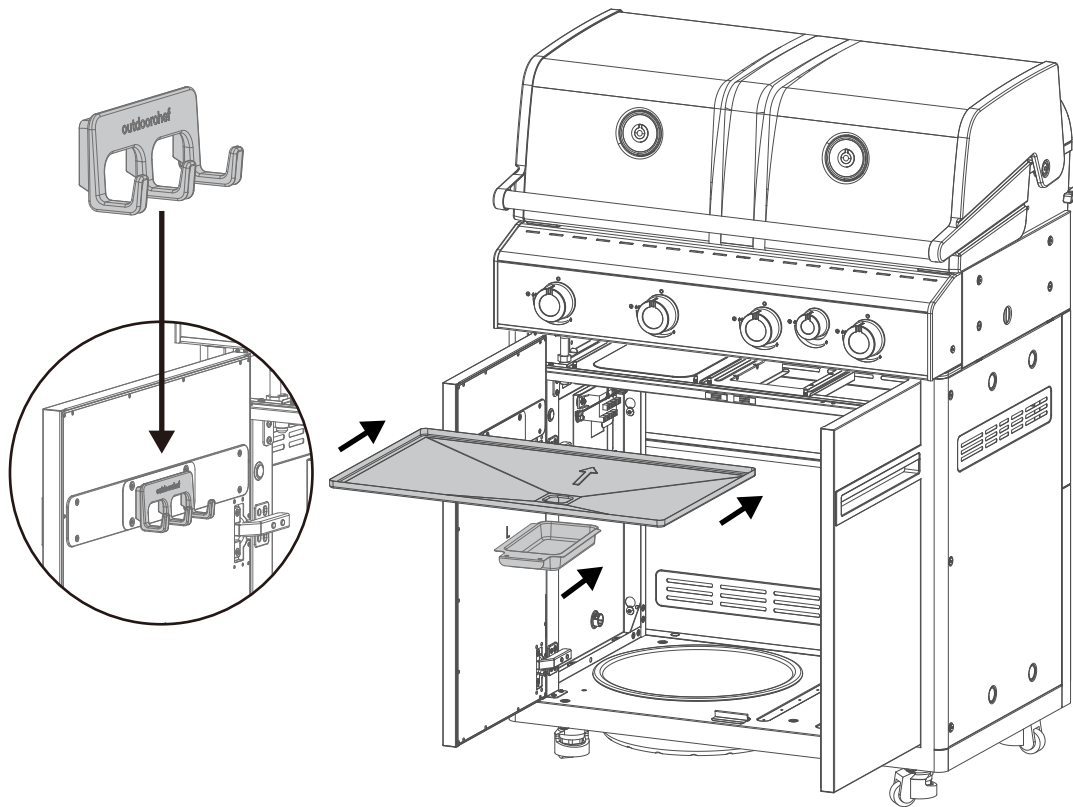
20.

 ax x 1		 ci x 24		
--	---	---	---	--

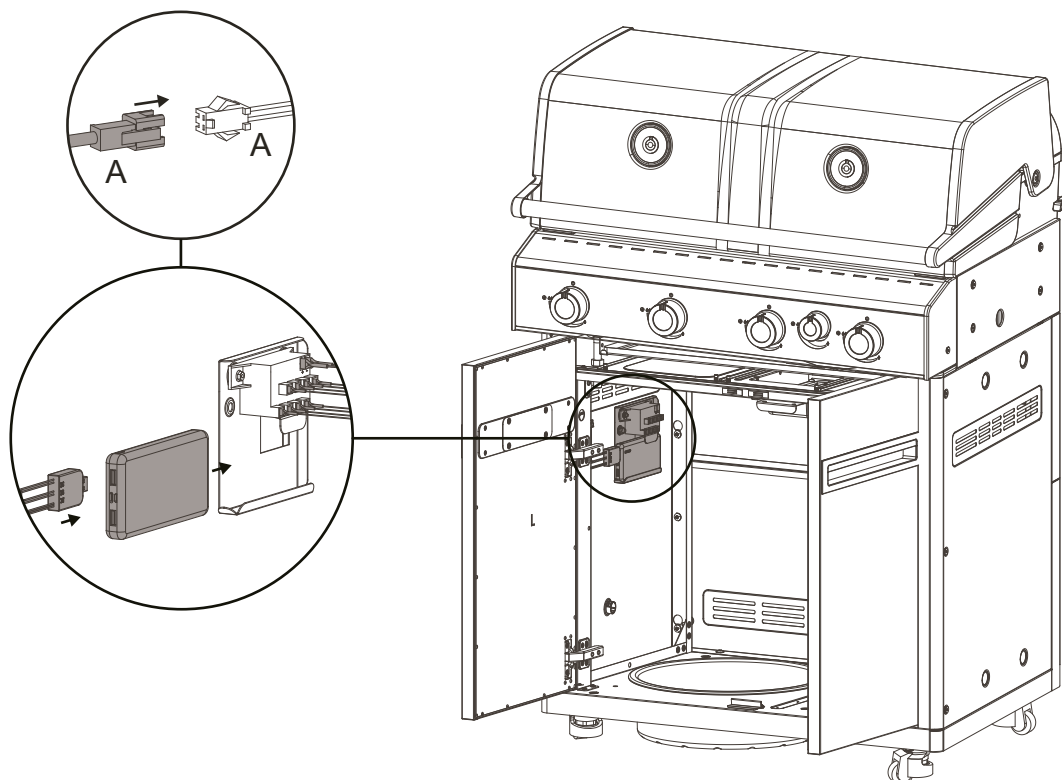


HEAT X-415 RB K

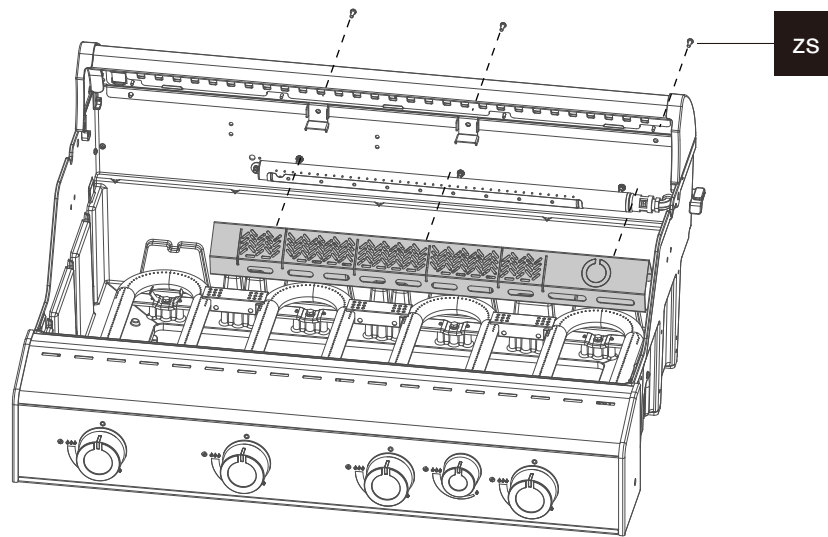
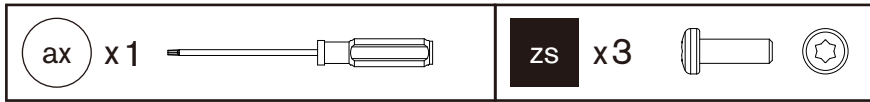
21.



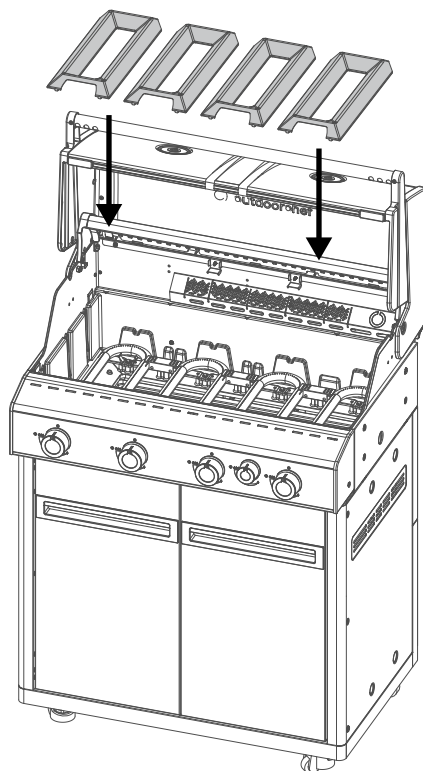
22.



23.

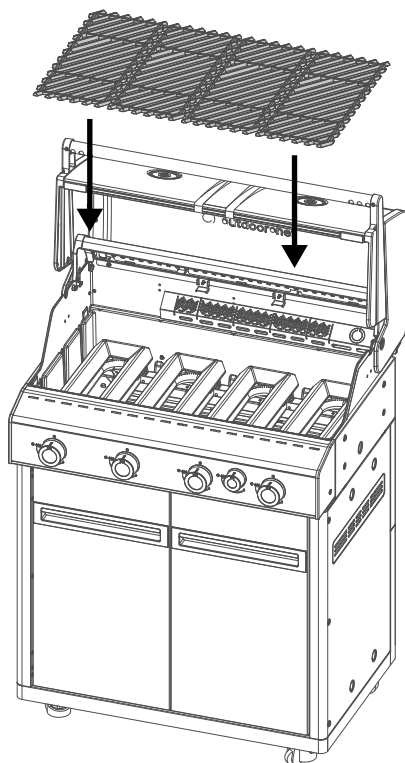


24.

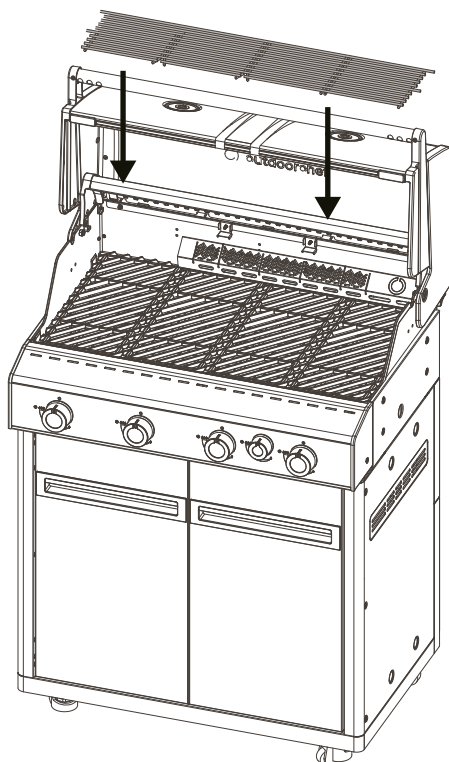


HEAT X-415 RB K

25.



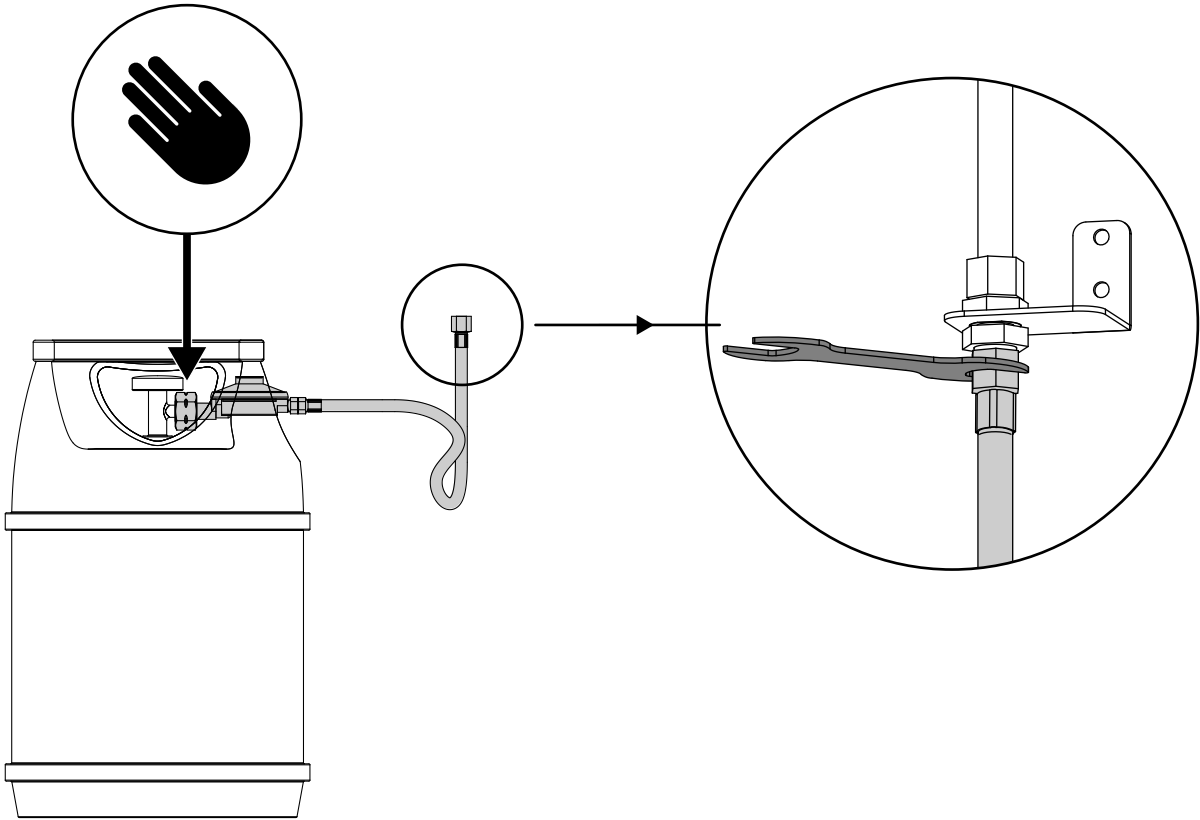
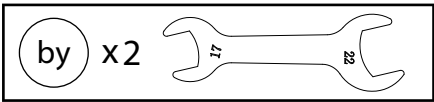
26.



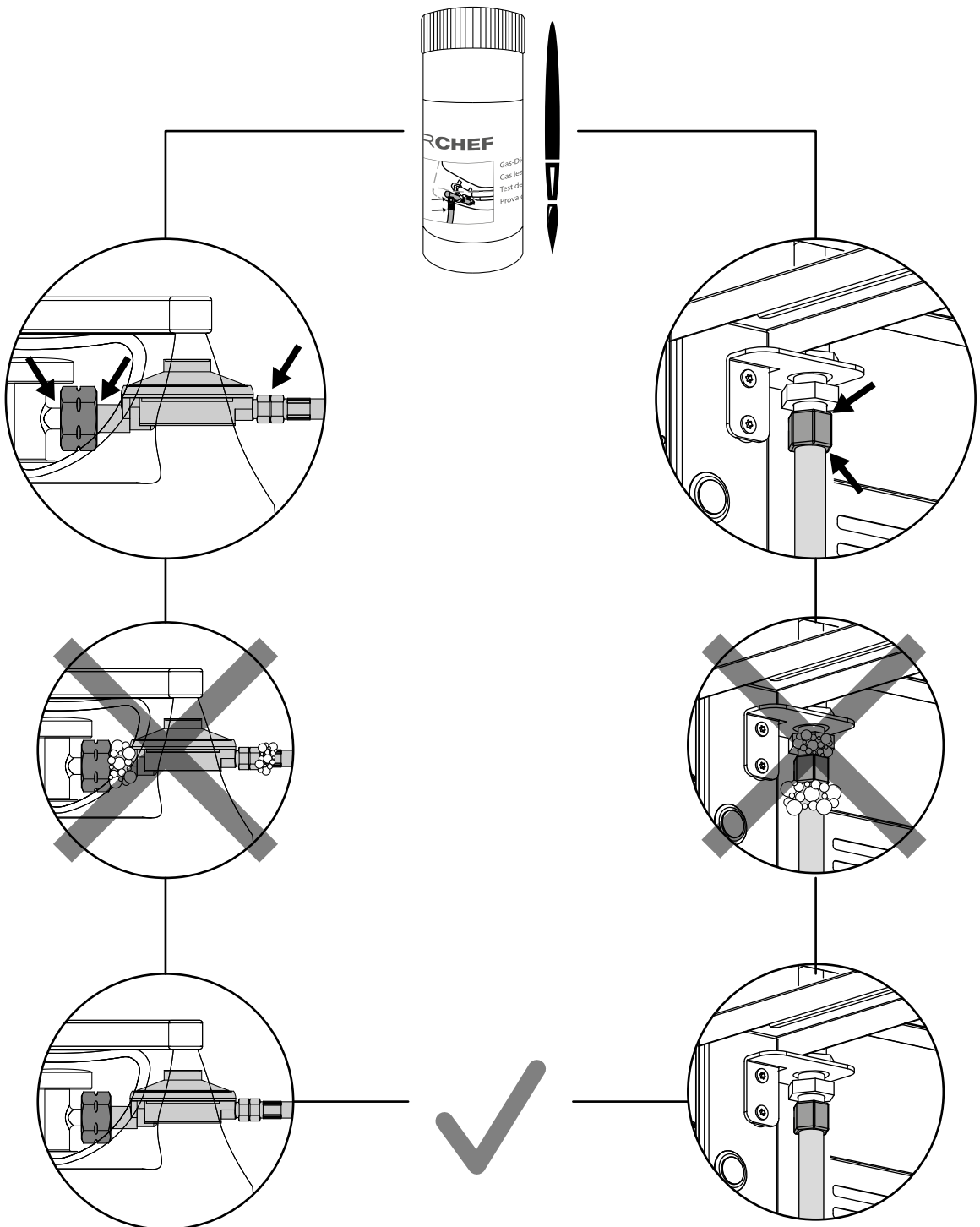
TO TAKE NOTES:

HEAT X-415 RB K

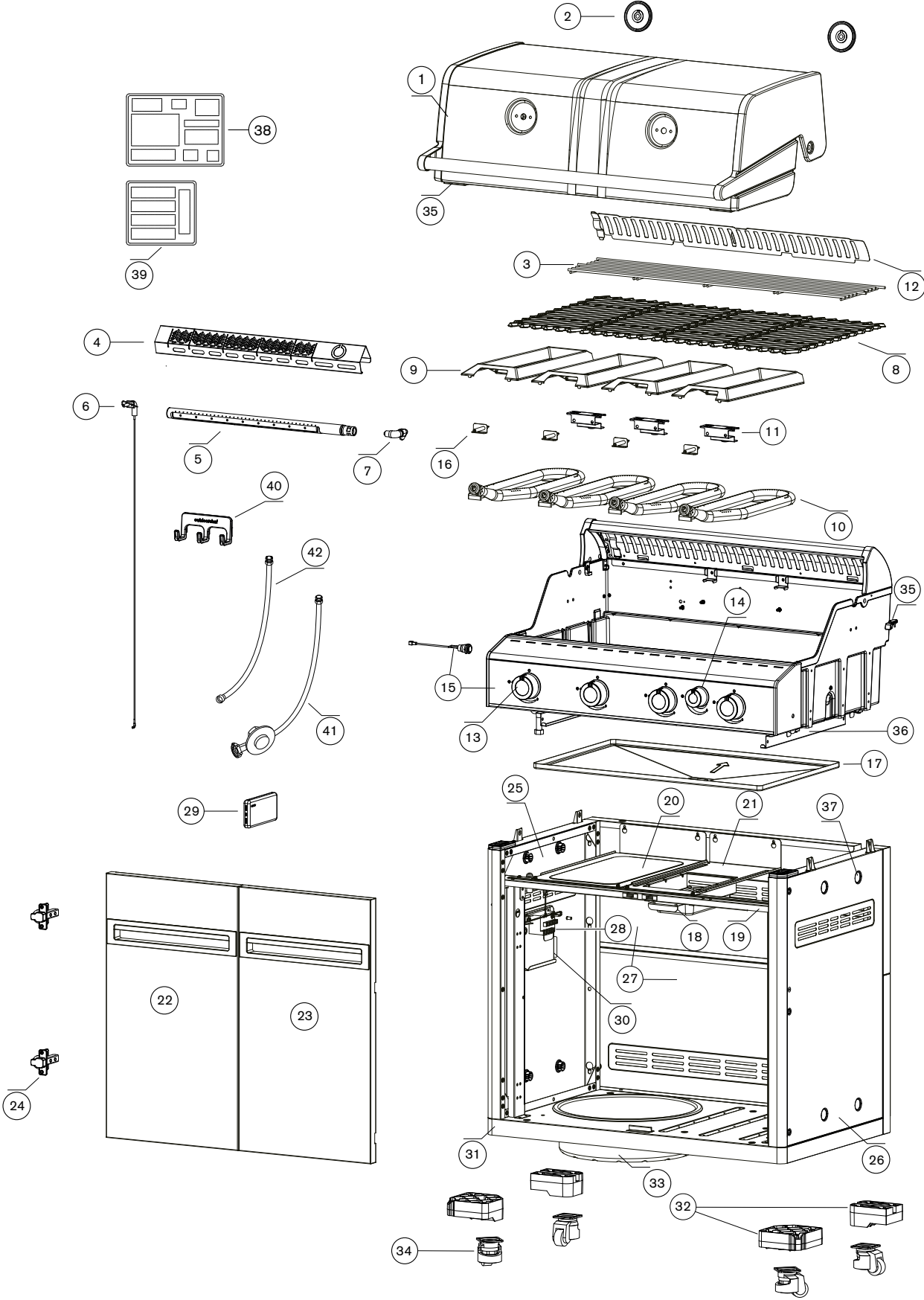
27.



28.



HEAT X-415 RB K



SPAREPARTS			ERSATZTEIL-LISTE
Pos.	Art. Nr.	Description	Beschreibung
1	18.904.47	Lid comp. H-4B	Deckel kpl. H-4B
2	18.850.33	Thermometer H-Line	Thermometer H-Line
3	18.421.02	Upper Grid H-4B	Warmhalterost H-4B
4	18.904.07	Rear burner cover set	Rückenbrenner Abdeckung Set
5	18.904.08	Rear Burner 50/30 set	Rückenbrenner Set 50/30 Set
6	18.904.38	Electrode RB set	Elektrode Rückenbrenner Set
7	18.904.39	Rear Burner holder set 50	Rückenbrenner Halter 50 Set
7	18.904.40	Rear Burner holder set 30	Rückenbrenner Halter 30 Set
8	18.420.71	Cast Iron cooking Grid	Gusseisen Rost
9	18.420.72	Flame tamer	Flammenschutz
10	18.904.10	Main Burner 50 set	Dual Brenner 50 Set
10	18.904.11	Main Burner 30 set	Dual Brenner 30 Set
11	18.904.12	Flame Bridge	Flammenbrücke
12	18.421.03	Heat Regulator H-4B	HEAT Regulator H-4B
13	18.904.13	Control knob large set	Regulierknopf gross Set
14	18.904.14	Control knob small set	Regulierknopf klein Set
15	18.904.55	Control panel X-415 RB comp. 50	Bedienkonsole X-415 RB 50 mbar kpl.
15	18.904.56	Control panel X-415 RB comp. 30	Bedienkonsole X-415 RB 30 mbar kpl.
16	18.904.17	Electrode main burner set	Elektrode Dual Brenner Set
17	18.421.04	Grease drawer H-4B	Fettauffangblech H-4B
18	18.420.75	Grease pan	Fettauffangschale
19	18.904.50	Brace set 4B	Strebe Set 4B
20	18.904.42	Gas Bottle cover set	Abdeckplatte Gasflasche Set
21	18.904.43	Drip pan holder	Fettauffangschale Halter
22	18.904.51	Left door H-4B set	Türe Links H-4B Set
23	18.904.52	Right door H-4B set	Türe Rechts H-4B Set
24	18.904.20	Door hinge set	Türscharnier Set
25	18.904.57	Left Panel Built in Station set	Kastenwand l. Einbaustation Set
26	18.904.58	Right Panel Built in Station set	Kastenwand r. Einbaustation Set
27	18.904.53	Back Panel H-4B set	Kastenrückwand H-4B Set
28	18.904.54	Pulse Ignitor 5 outlet set	Elektrozünder 5 Ausgänge Set
29	14.491.83	Power Bank 10'000mAh	Power Bank 10'000mAh
30	18.904.37	Electric Bracket set	Befestigungsplatte Elektrik Set
31	18.421.05	Bottom Plate H-4B	Bodenplatte H-4B
32	18.904.82	Caster Bracket set B	Lenkrollenbefestigung Set B
33	18.450.10	Gas Bottle holder	Gasflaschen Halterung
34	18.904.64	Caster with high adjustment	Lenkrollen mit Höhenverstellung
35	18.904.30	Protection pin set H-Station	Schutzstift Set H-Station
36	18.904.91	Grease drawer bracket set	Fettauffangblech Halterung Set
37	18.904.92	Side panel tenon set	Seitenwand Zapfen Set
38	18.379.76	Hardware set Heat BUILT IN STATION	Schraubenset HEAT EINBAUSTATIONEN
39	18.379.75	Tool set HEAT-Line	Werkzeug Set HEAT Linie
40	14.112.67	Tool hook	Hakenliste Magnetisch

SPAREPARTS			ERSATZTEIL-LISTE
Pos.	Art. Nr.	Description	Beschreibung
41	14.911.38	Gas hose & regulator CH	Gasschlauch & Regler CH
41	14.911.40	Gas hose & regulator DE,AT	Gasschlauch & Regler DE,AT
41	14.911.42	Gas hose & regulator DK,FI,IS,NO,PT,SP	Gasschlauch & Regler DK,FI,IS,NO,PT,SP
41	14.911.51	Gas hose & regulator IT, GR	Gasschlauch & Regler IT,GR
41	14.911.47	Gas hose & regulator BG	Gasschlauch & Regler BG
41	14.911.43	Gas hose & regulator GB	Gasschlauch & Regler GB
41	14.911.58	Gas hose & regulator HU	Gasschlauch & Regler HU
41	14.911.56	Gas hose & regulator MT	Gasschlauch & Regler MT
41	14.911.49	Gas hose & regulator PL	Gasschlauch & Regler PL
41	14.911.47	Gas hose & regulator SE	Gasschlauch & Regler SE
41	14.911.53	Gas hose & regulator AL,BA,HR,CZ,IL,LT,MK,M-D,RO,RS,SK,SI	Gasschlauch & Regler AL,BA,HR,CZ,IL,LT,MK,M-D,RO,RS,SK,SI
42	14.921.25	Gas hose FR	Gasschlauch FR



OUTDOORCHEF.COM



Outdoorchef AG | Eggbühlstrasse 28 | Postfach | 8050 Zürich | Switzerland
Outdoorchef Deutschland GmbH | Wickerer Weg 13-15 | 65719 Hofheim am Taunus | Germany

HEAT X-415 RB K | SEPTEMBER 2024