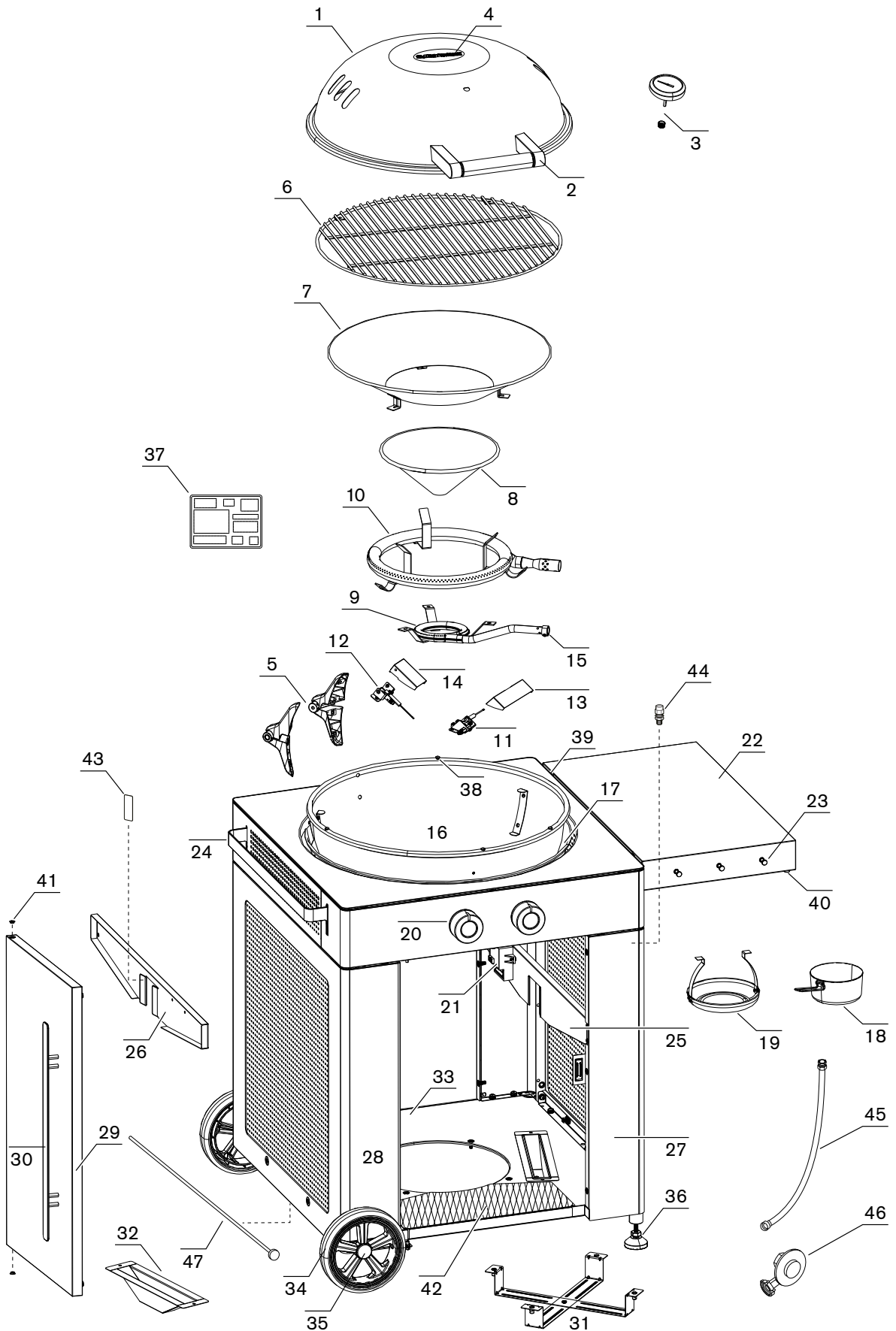
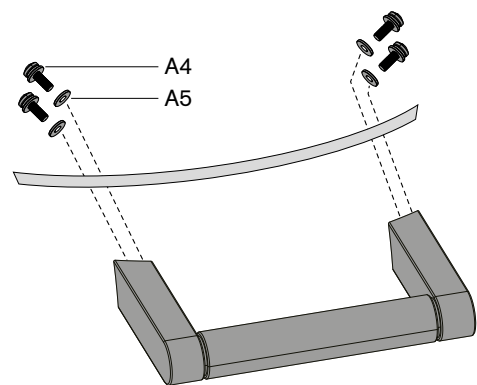
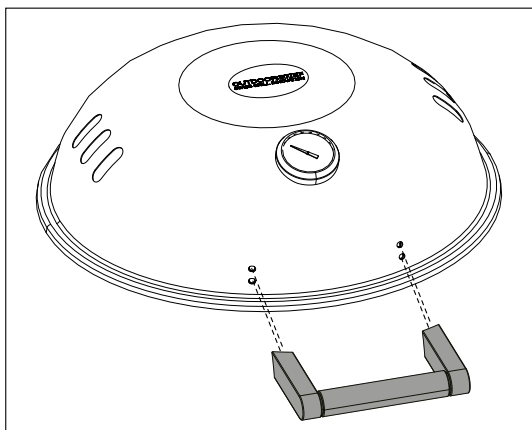
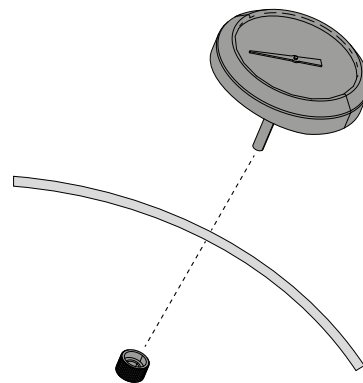
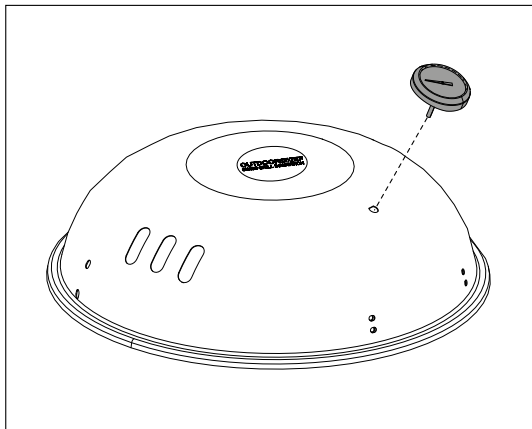
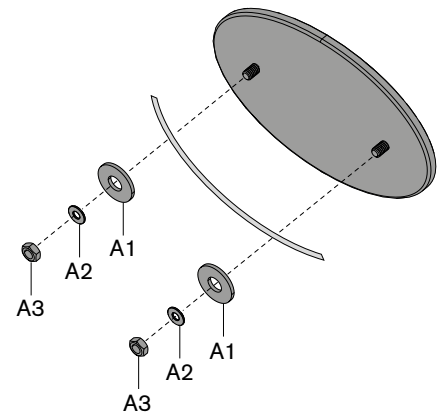
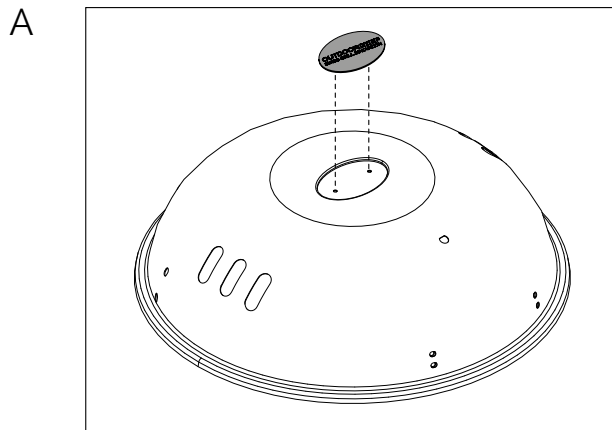


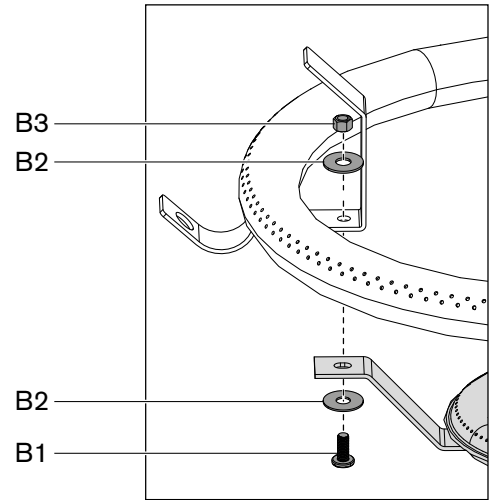
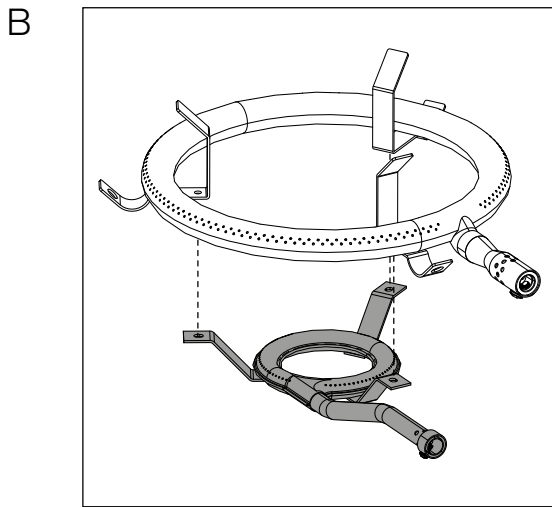
AROSA 570 G GREY STEEL



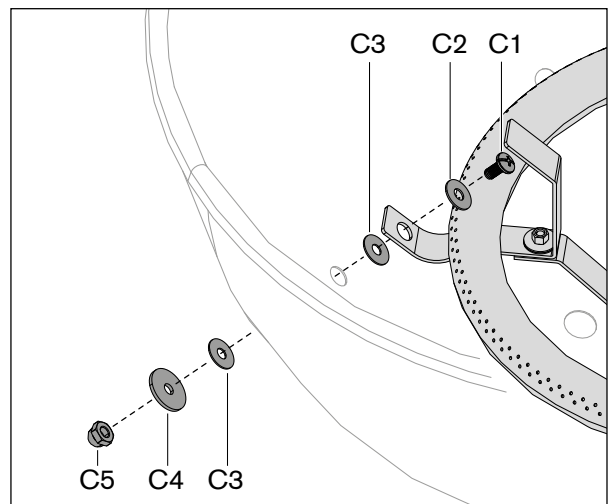
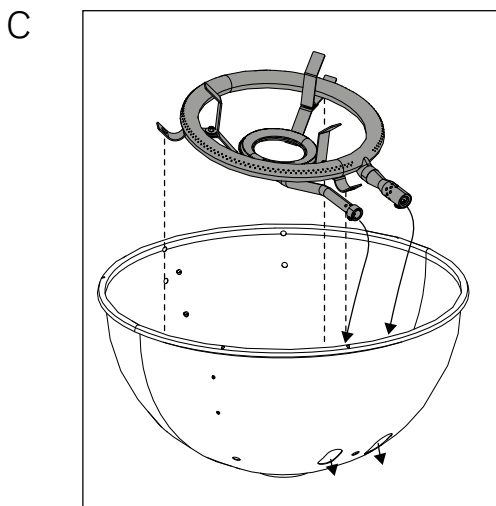
AROSA 570 G GREY STEEL



A			LOGO AND HANDLE			LOGO UND GRIFF		
Pos.	Art. Nr.	Description	Pos.	Art. Nr.	Description	Pos.	Art. Nr.	Description
A1	18.371.03	Protection washer	A1	18.371.03	Protection washer	A1	18.371.03	Schutz-Unterlagsscheibe
A2	18.371.57	Washer	A2	18.371.57	Washer	A2	18.371.57	Unterlagsscheibe
A3	18.370.48	Nut	A3	18.370.48	Nut	A3	18.370.48	Mutter
A4	18.371.72	Screw	A4	18.371.72	Screw	A4	18.371.72	Schraube
A5	18.370.76	Protection washer	A5	18.370.76	Protection washer	A5	18.370.76	Schutz-Unterlagsscheibe



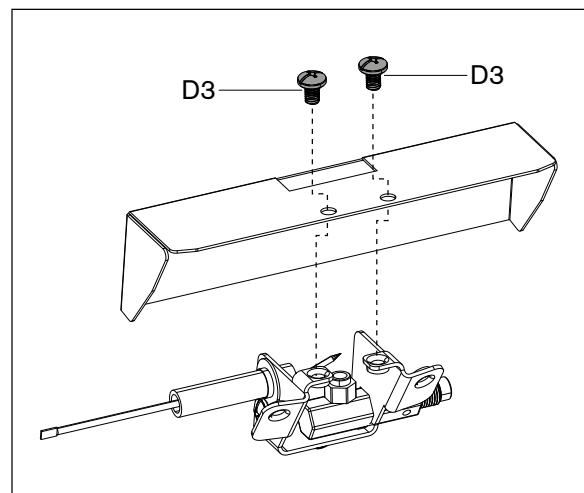
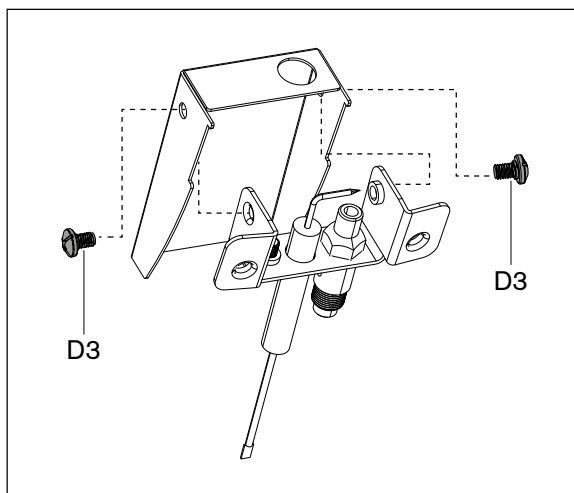
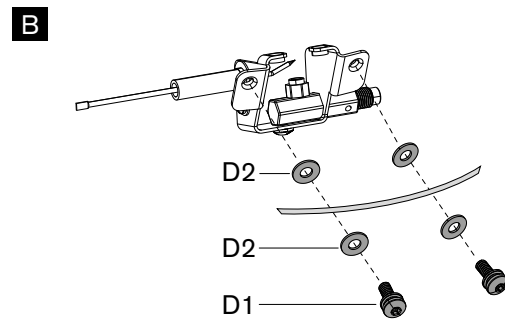
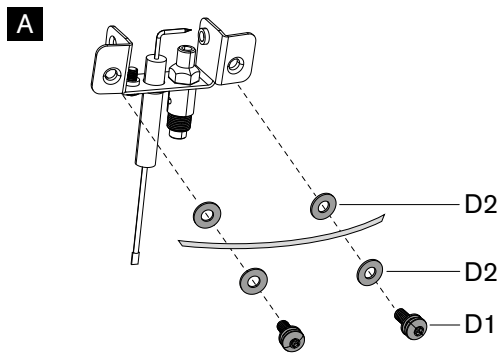
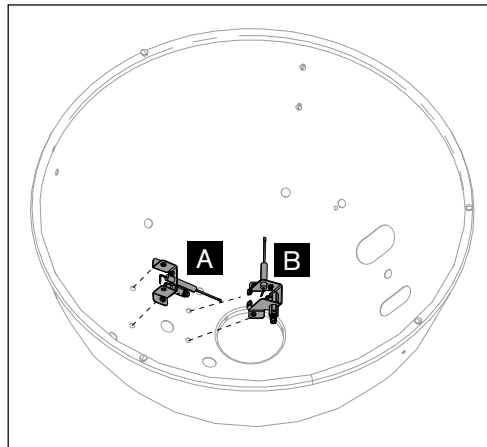
B		SMALL BURNER	KLEINER BRENNER
Pos.	Art. Nr.	Description	Beschreibung
B1	18.370.03	Screw	Schraube
B2	18.371.38	Washer	Unterlagsscheibe
B3	18.371.66	Nut	Mutter



C		BURNER	BRENNER
Pos.	Art. Nr.	Description	Beschreibung
C1	18.370.07	Screw	Schraube
C2	18.371.16	Washer	Unterlagsscheibe
C3	18.371.17	Protection washer	Schutz-Unterlagsscheibe
C4	18.370.68	Washer	Unterlagsscheibe
C5	18.371.19	Dome nut	Hutmutter

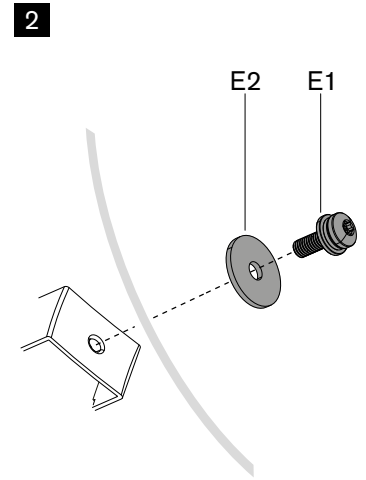
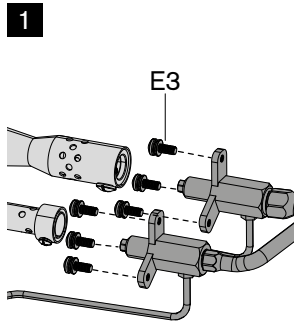
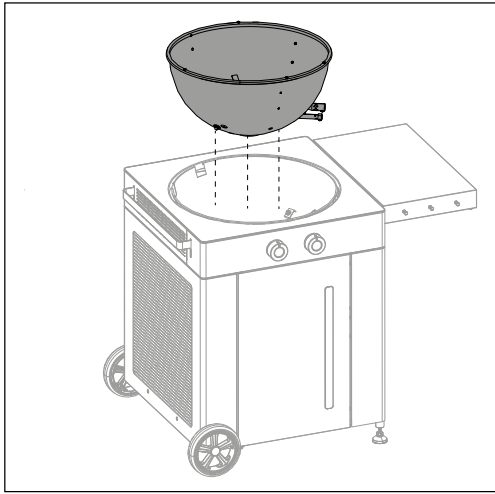
AROSA 570 G GREY STEEL

D



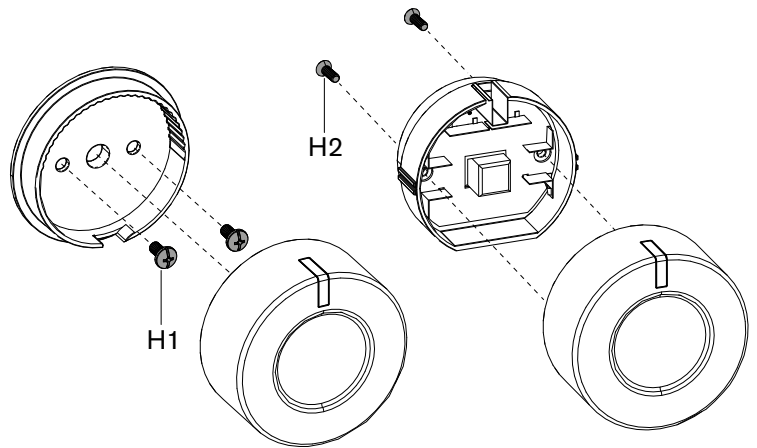
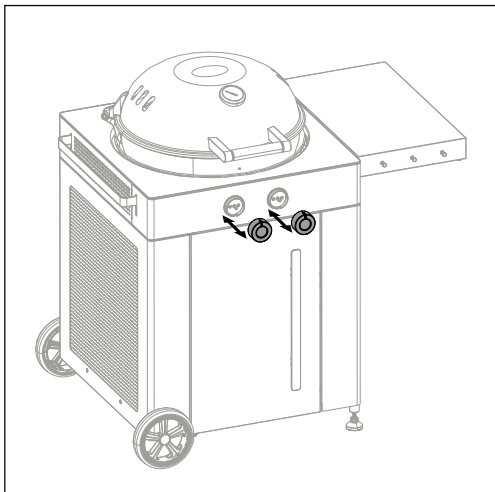
D		IGNITION	ZÜNDUNG
Pos.	Art. Nr.	Description	Beschreibung
D1	18.371.62	Screw	Schraube
D2	18.371.80	Washer	Unterlagsscheibe
D3	18.371.81	Screw	Schraube

E



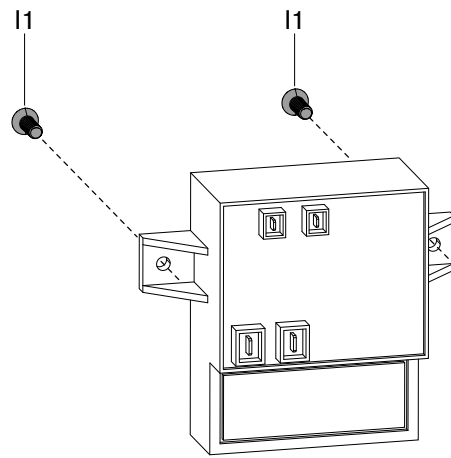
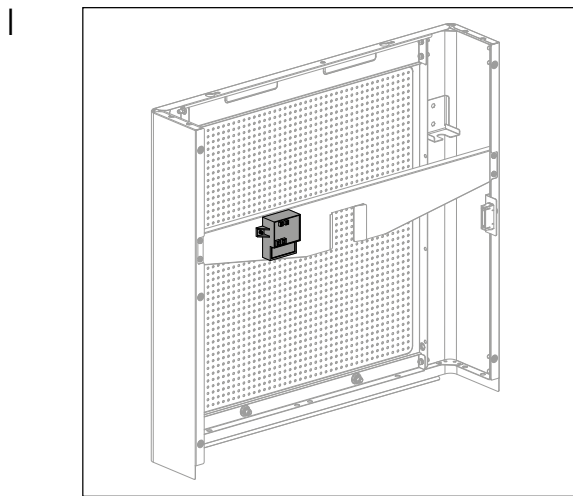
E			BURNER SUPPORT / BOWL		BRENNER HALTERUNG / KUGEL	
Pos.	Art. Nr.	Description	Beschreibung			
E1	18.371.61	Screw	Schraube			
E2	18.371.17	Protection washer	Schutz-Unterlagscheibe			
E3	18.371.62	Screw	Schraube			

H

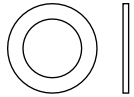


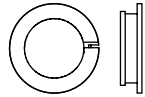
H			KNOB / FRAME		DREHKNOPF / RING	
Pos.	Art. Nr.	Description	Beschreibung			
H1	18.371.37	Screw	Schraube			
H2	18.371.79	Screw	Schraube			

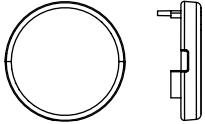
AROSA 570 G GREY STEEL

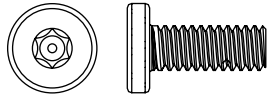


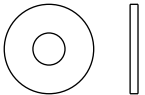
I	IGNITION	ZÜNDUNGSBOX	
Pos.	Art. Nr.	Description	Beschreibung
I1	18.371.63	Screw	Schraube


Washer		
3x	bc	
18.371.77		

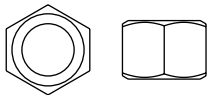
Clip bearing		
2x	be	
18.371.82		

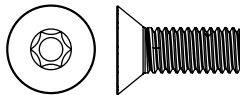
Wheel cap		
2x		
18.360.92		

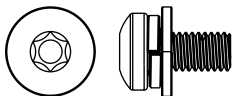
M5 x 13		
9x	xx	
18.371.84		

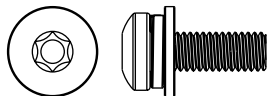
Washer M5		
1x	ak	
18.371.38		


Spring washer M5		
1x	bd	
18.371.65		


Nut M5		
1x	bb	
18.371.66		

M6 X 13		
4x	xv	
18.371.83		

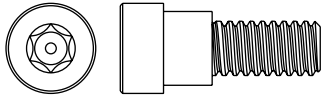
M6 X 13		
9x	xo	
18.371.72		

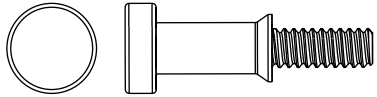
M6 X 18		
24x	xr	
18.371.61		


M5 X 13		
4x	xp	
18.371.62		

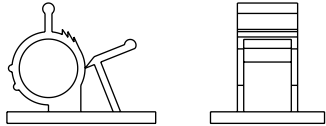
Teflon washer		
8x	z	
18.370.76		

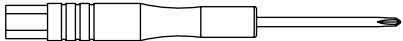
AROSA 570 G GREY STEEL

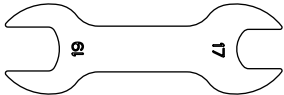
M5 X 10		
4x	xn	
18.371.68		

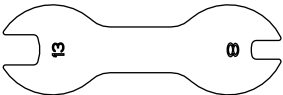
Accessory Pin		
3x		
18.324.49		

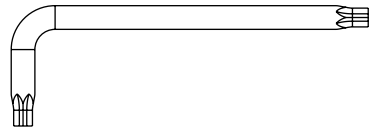
Protection Foil Accessory Insert		
10x		
18.361.02		

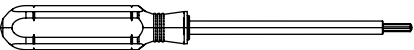
Cable Tree Fixation Clips		
4x	an	
18.371.43		

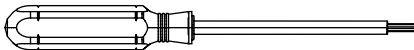
Crosshead Screwdriver B (85mm)		
1x	as	
18.371.49		


Open End Wrench (S17 + S19)		
2x	ap	
18.371.46		


Open End Wrench (S13 + S8)		
1x	ba	
18.371.78		

Socket Wrench M5		
1x	at	
18.371.69		

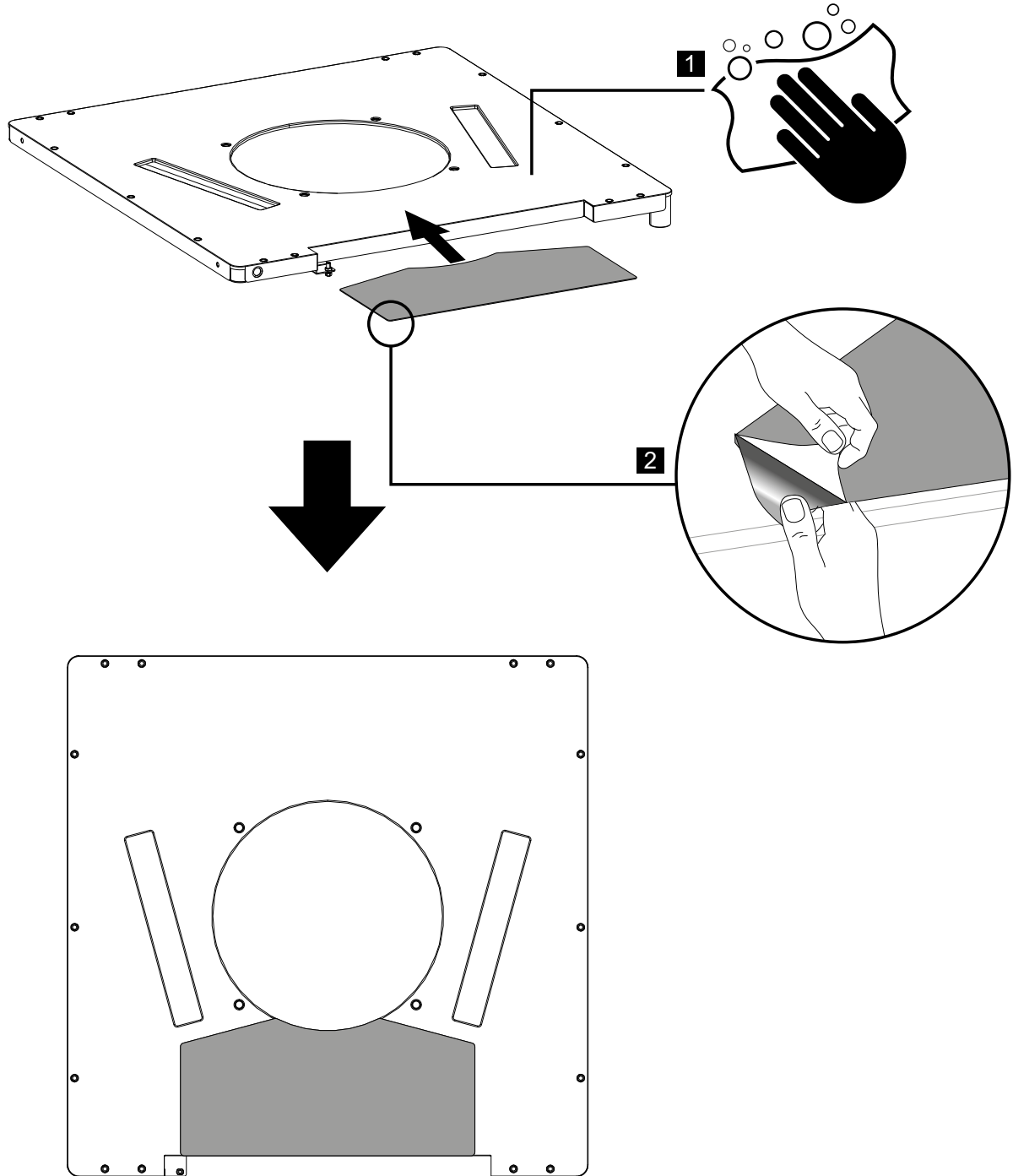
Screwdriver M5		
1x	ay	
18.371.75		

Screwdriver M6		
1x	az	
18.371.76		

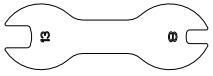
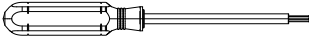




Clip bearing		
2x		
18.371.85		

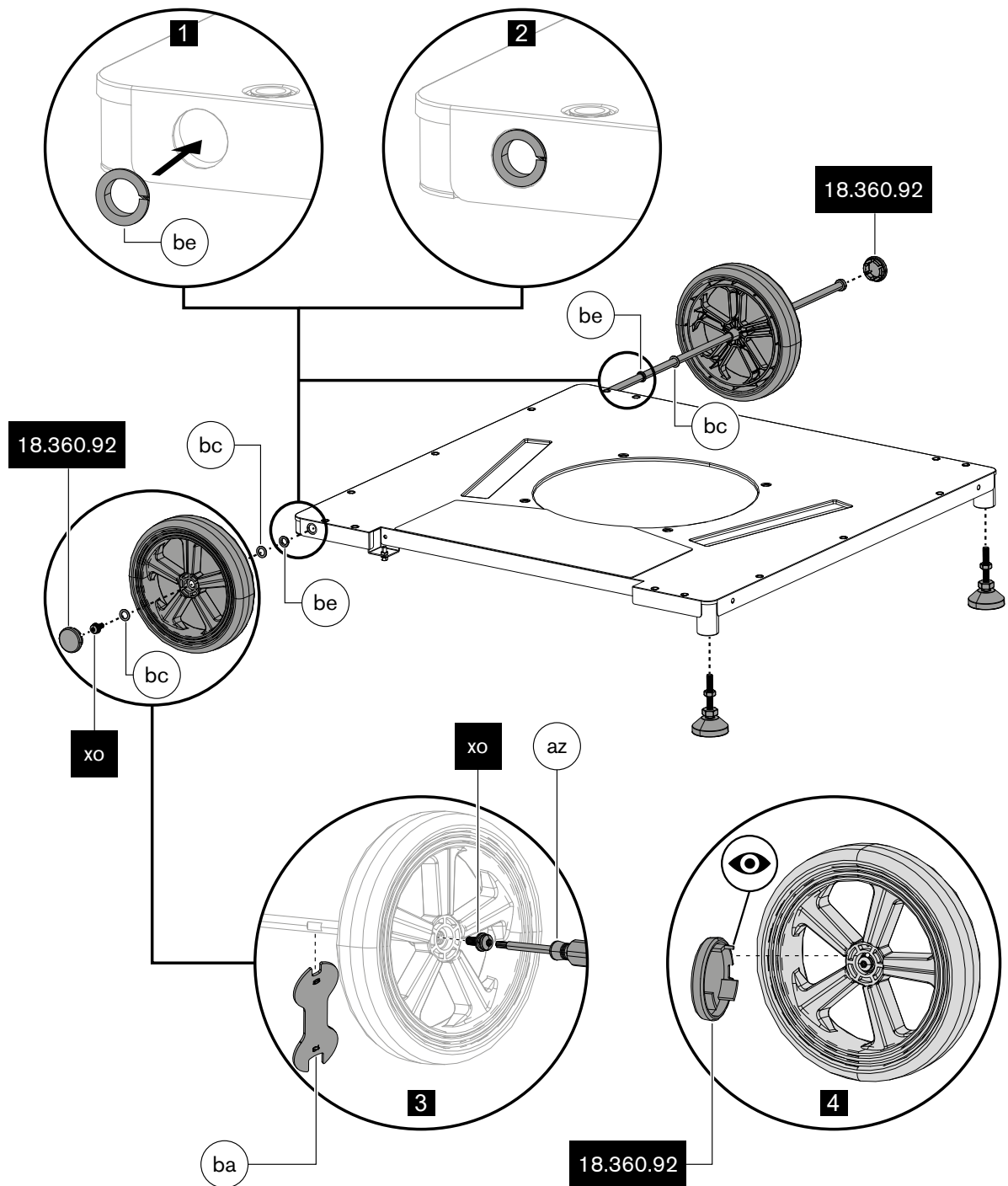
NON Rechargeable Battery 1.5V (AAA)		
6x		

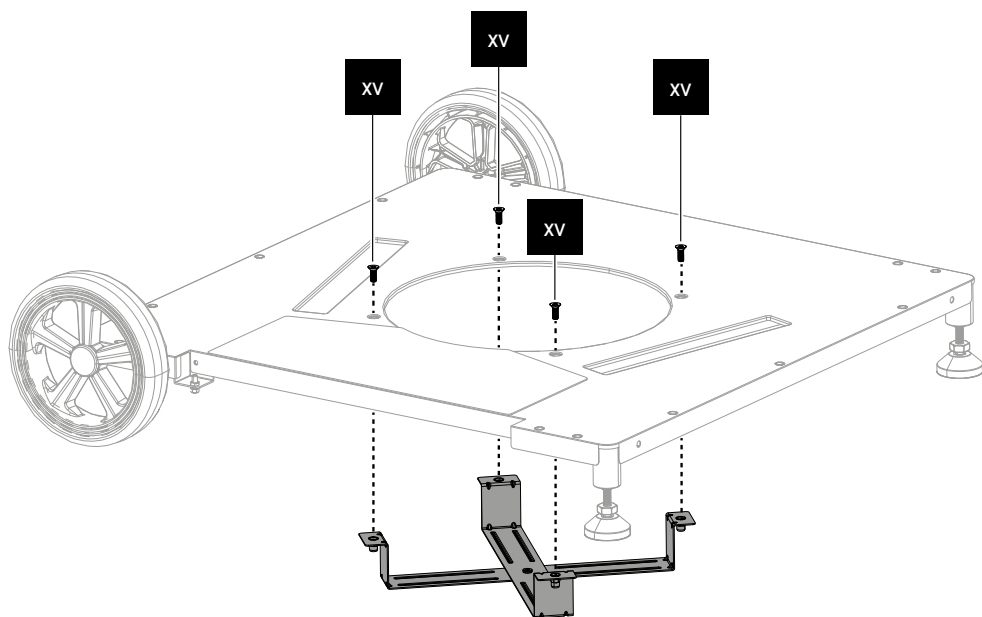
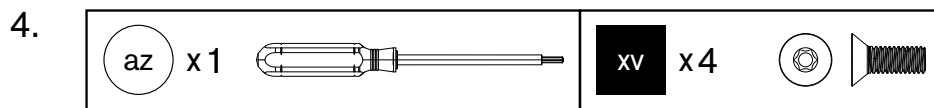
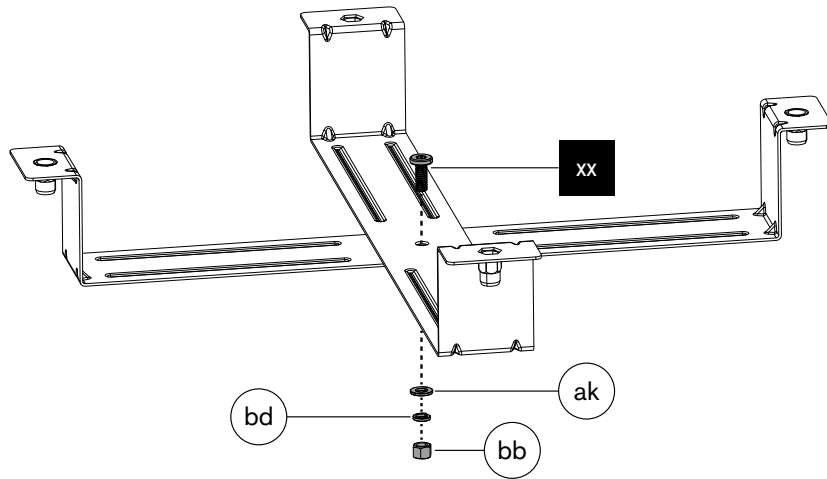
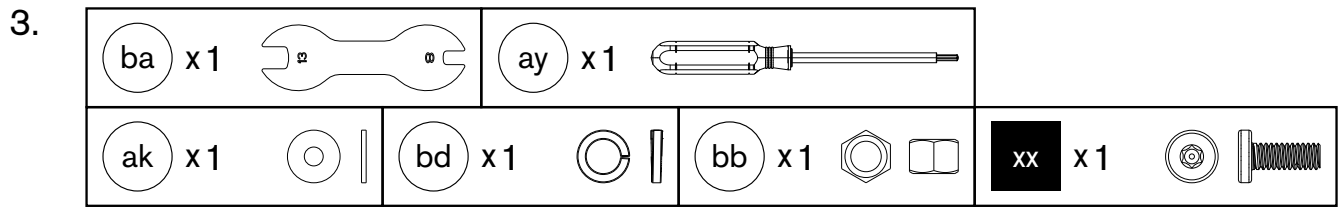
1.



AROSA 570 G GREY STEEL

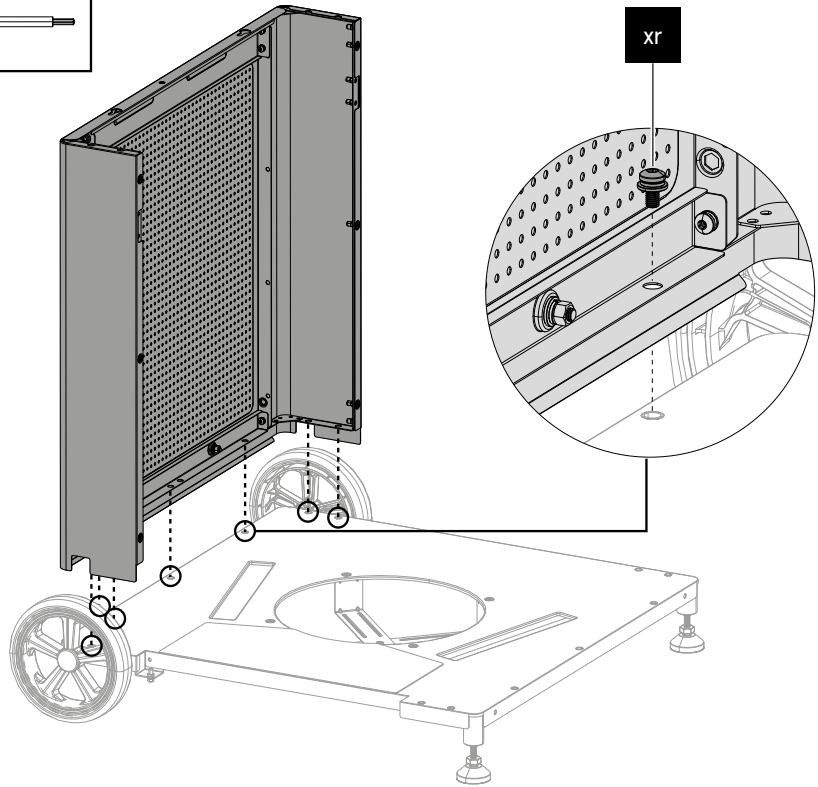
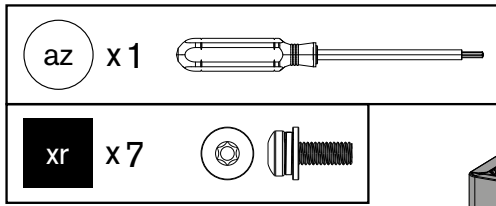
- 2.
- | | | | |
|--|---|---|---|
|  ba x1 |  az x1 | | |
|  bc x3 |  be x2 |  xo x1 |  18.360.92 x2 |



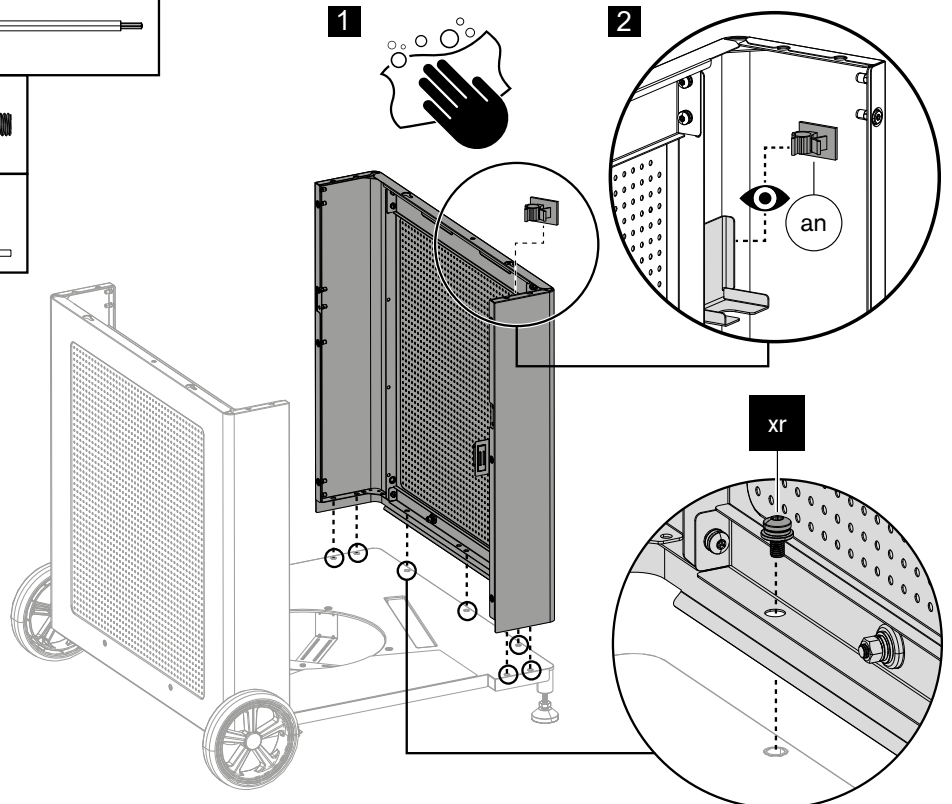
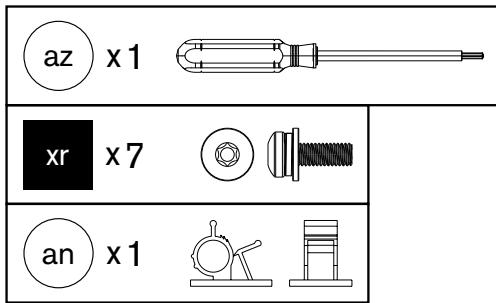


AROSA 570 G GREY STEEL

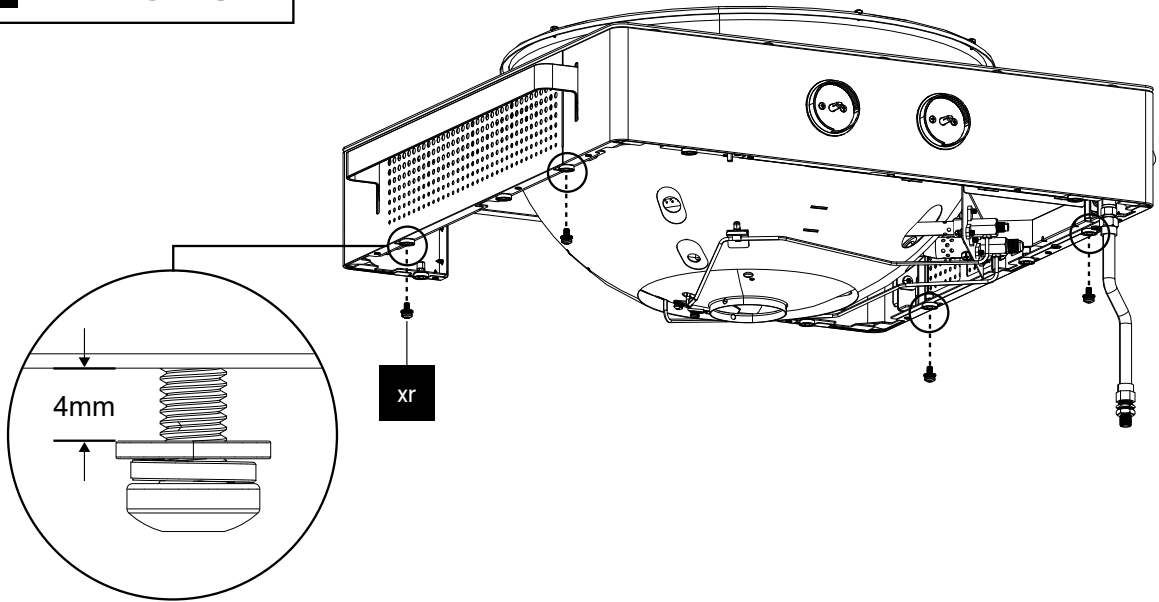
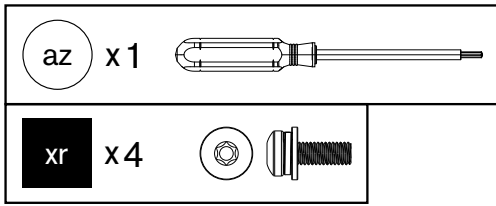
5.



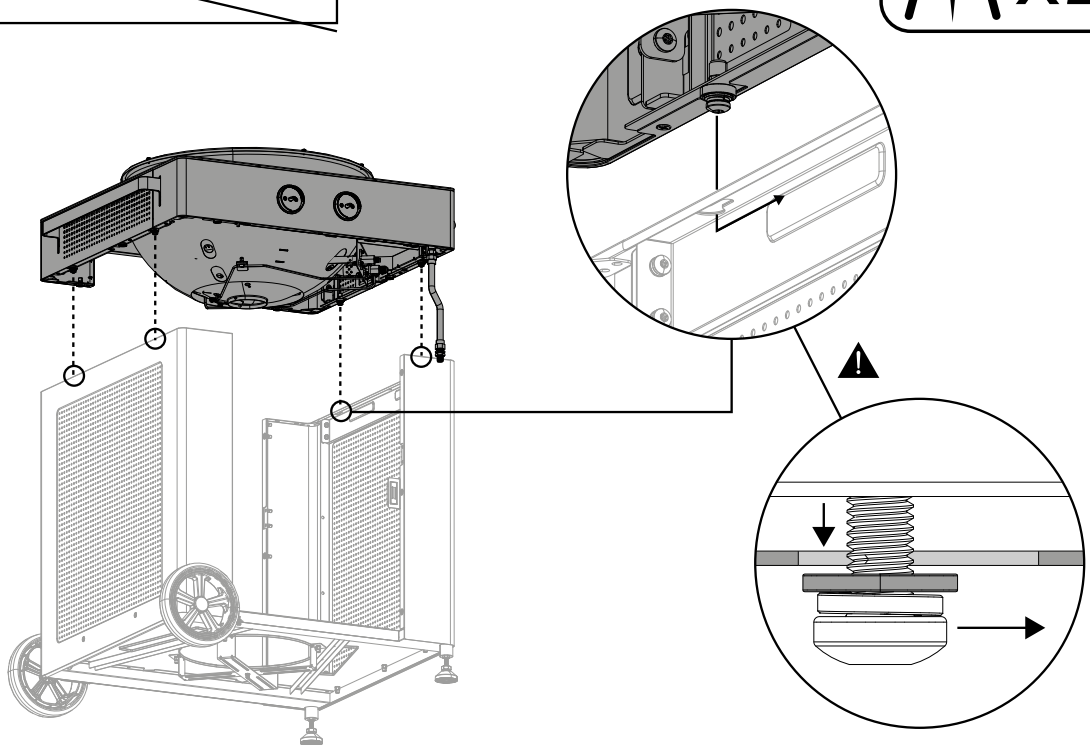
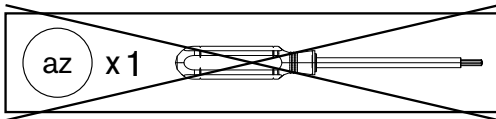
6.



7.

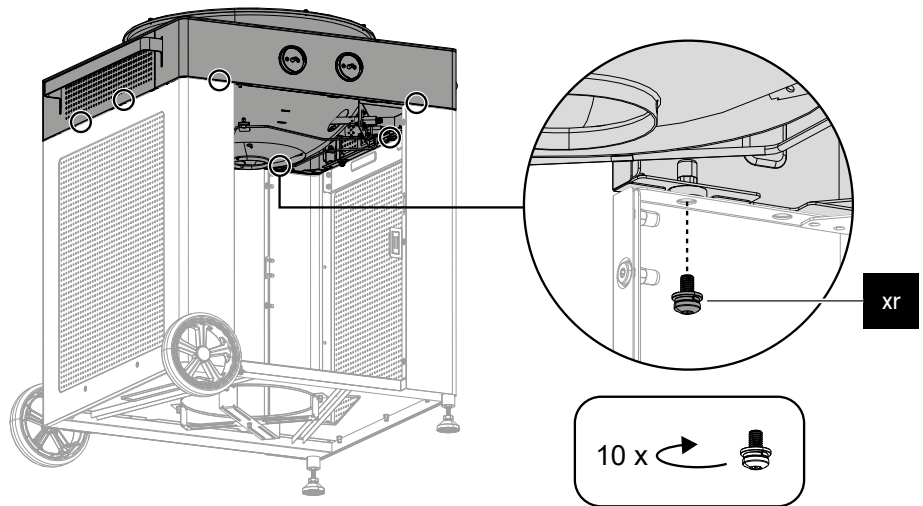
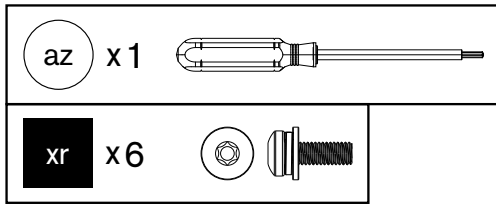


8.

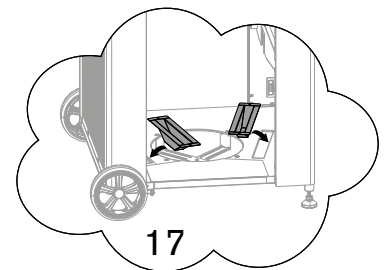


AROSA 570 G GREY STEEL

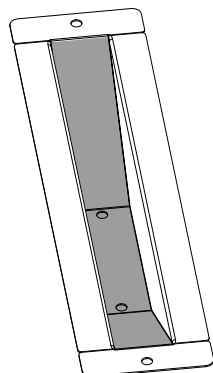
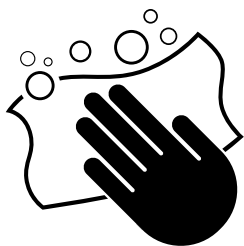
9.



10.

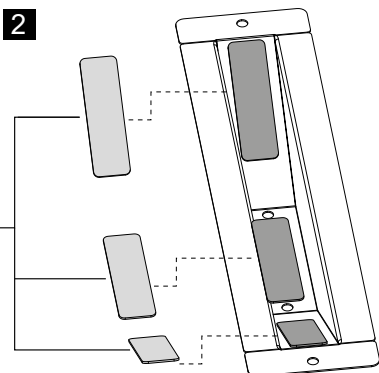


1



2

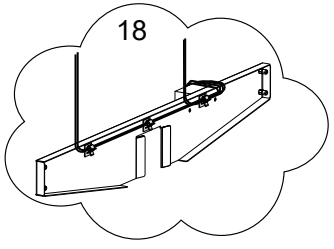
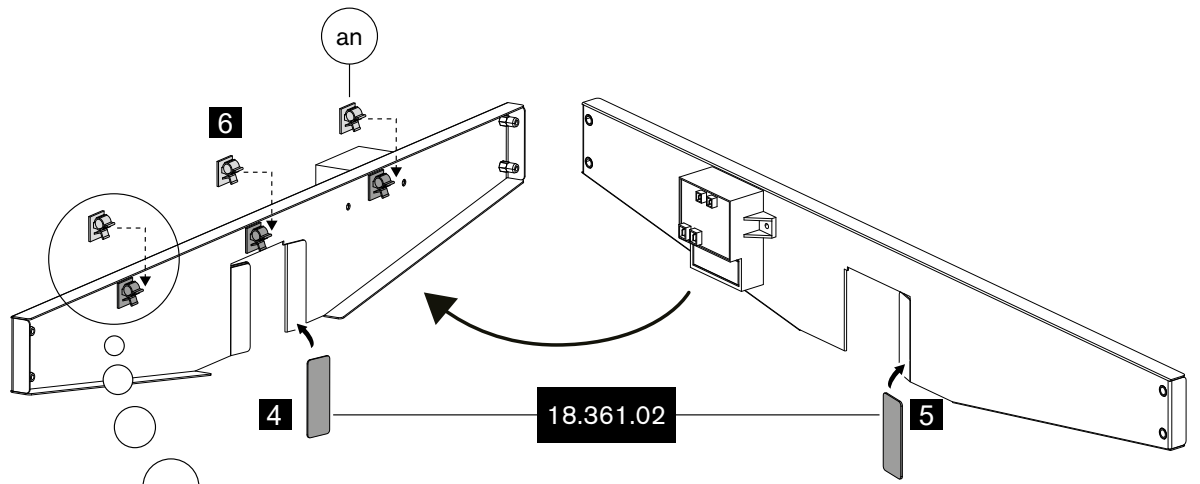
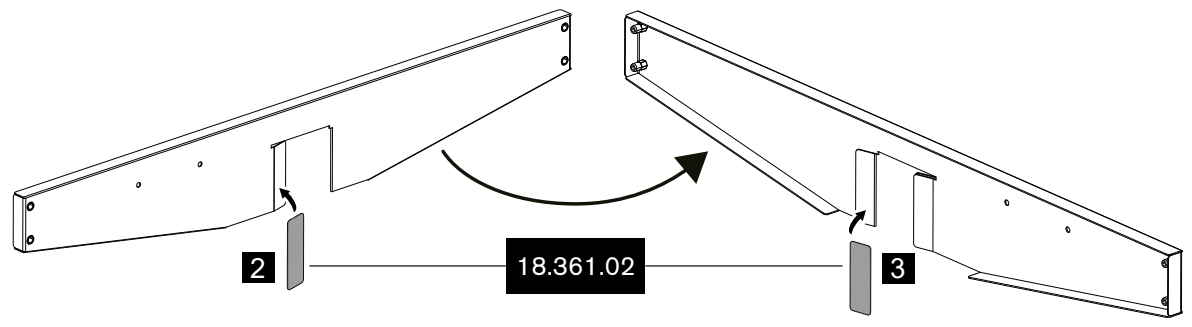
18.361.02



11.

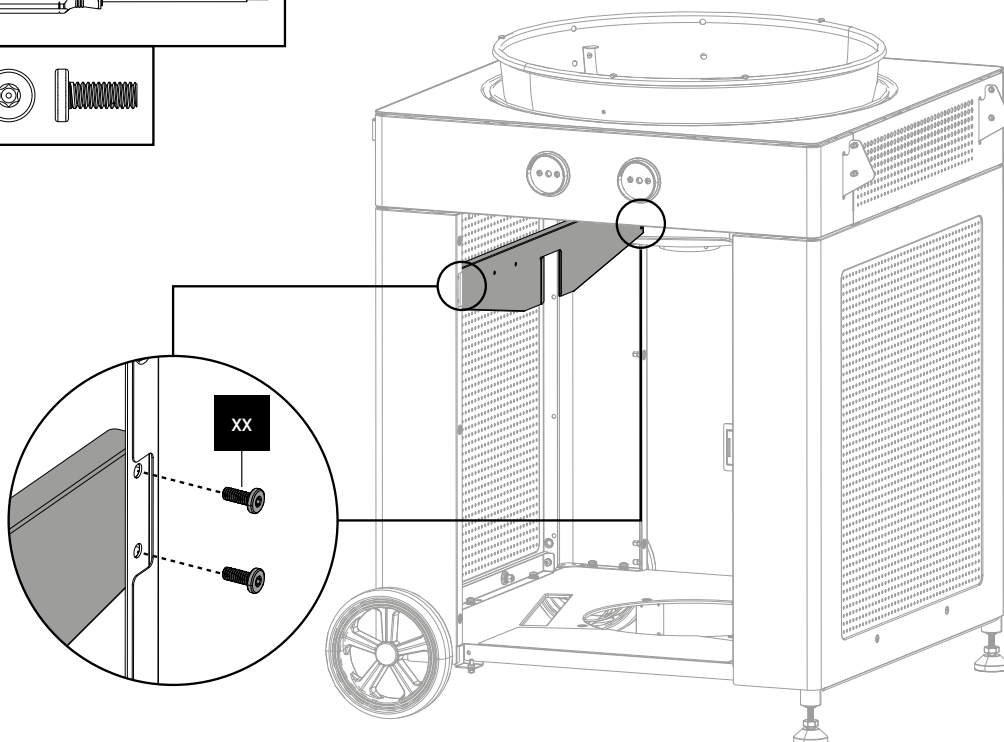
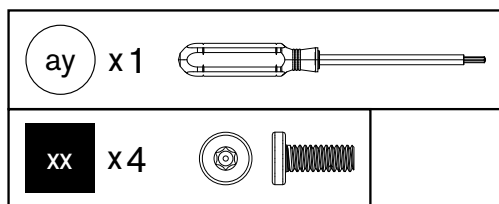
 an x3		18.361.02 x4	
---	---	---------------------	---

1

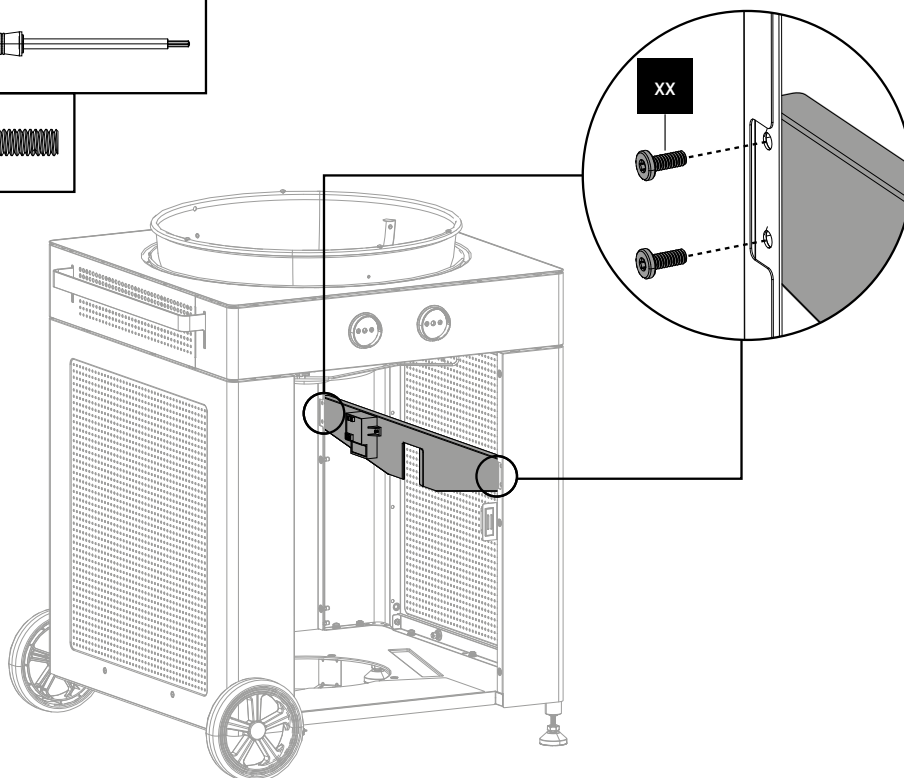
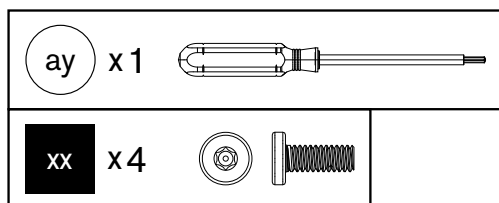


AROSA 570 G GREY STEEL

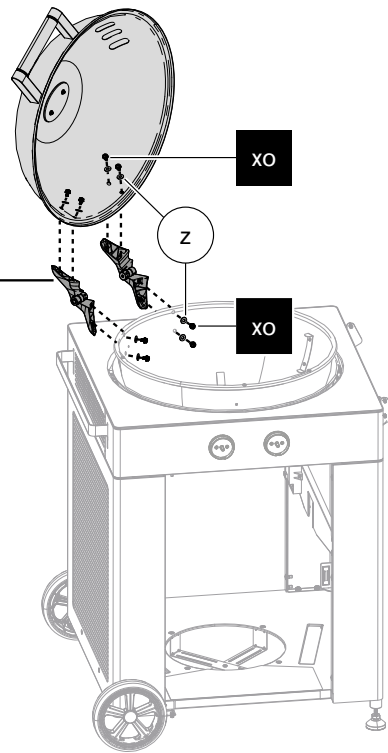
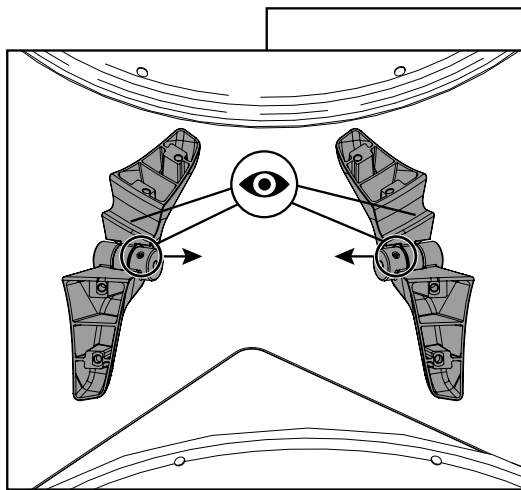
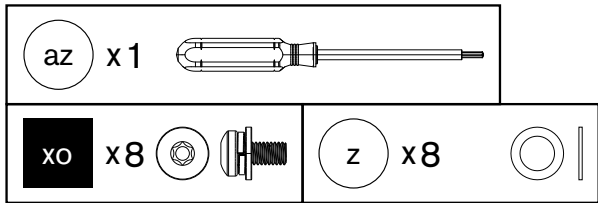
12.



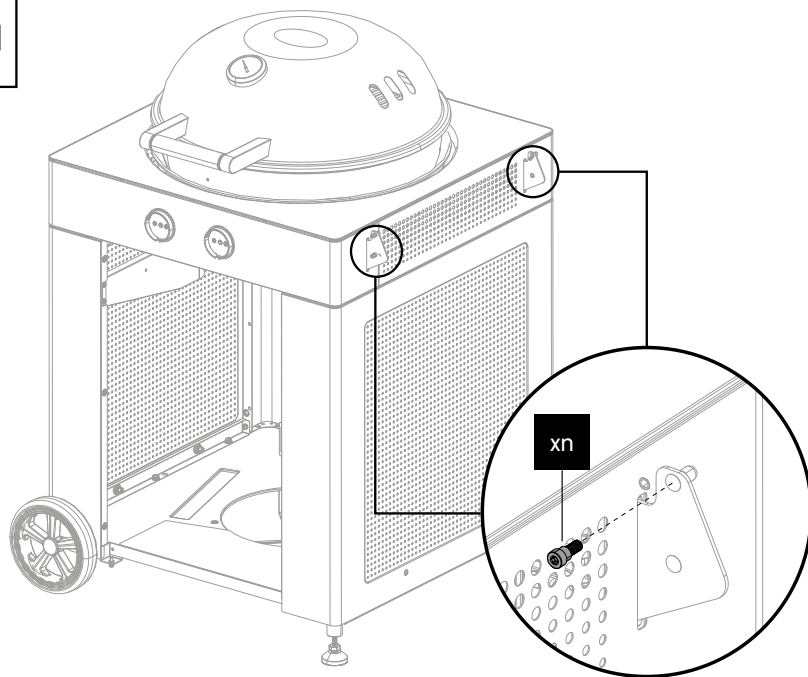
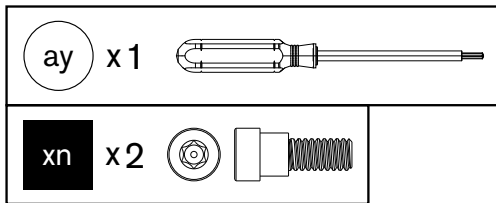
13.



14.

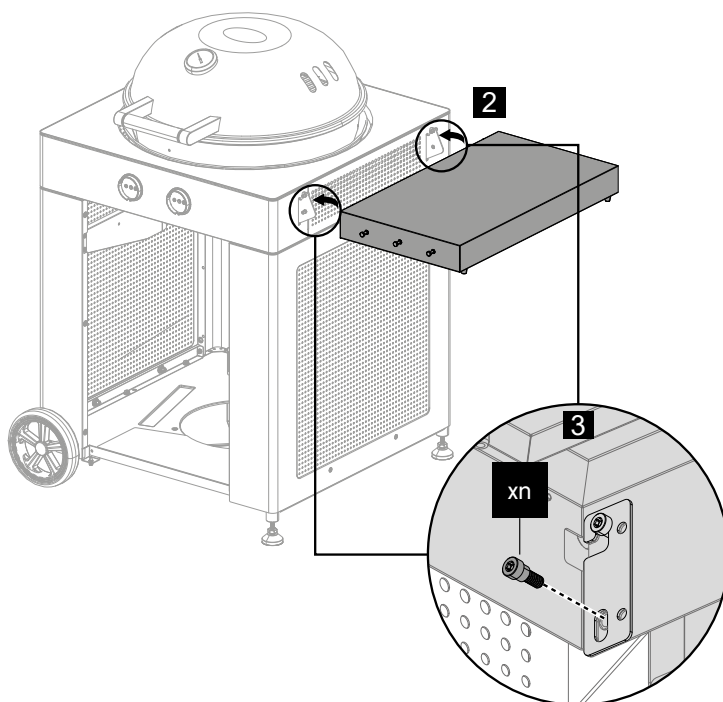
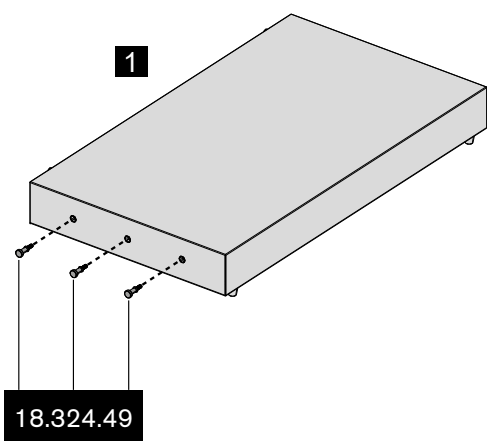
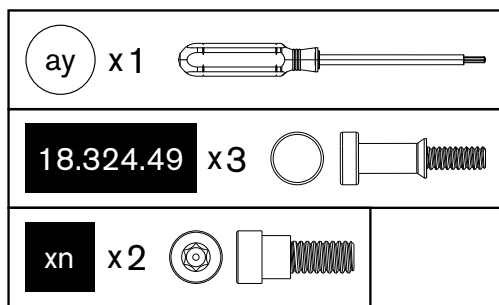


15.

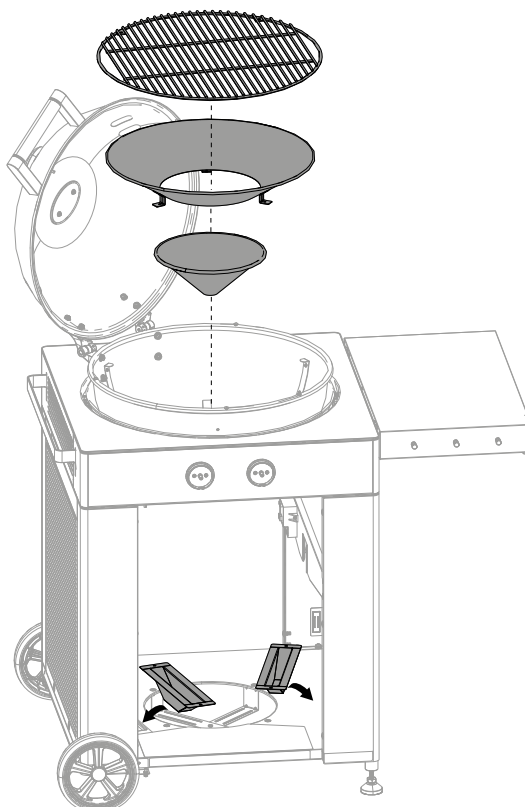


AROSA 570 G GREY STEEL

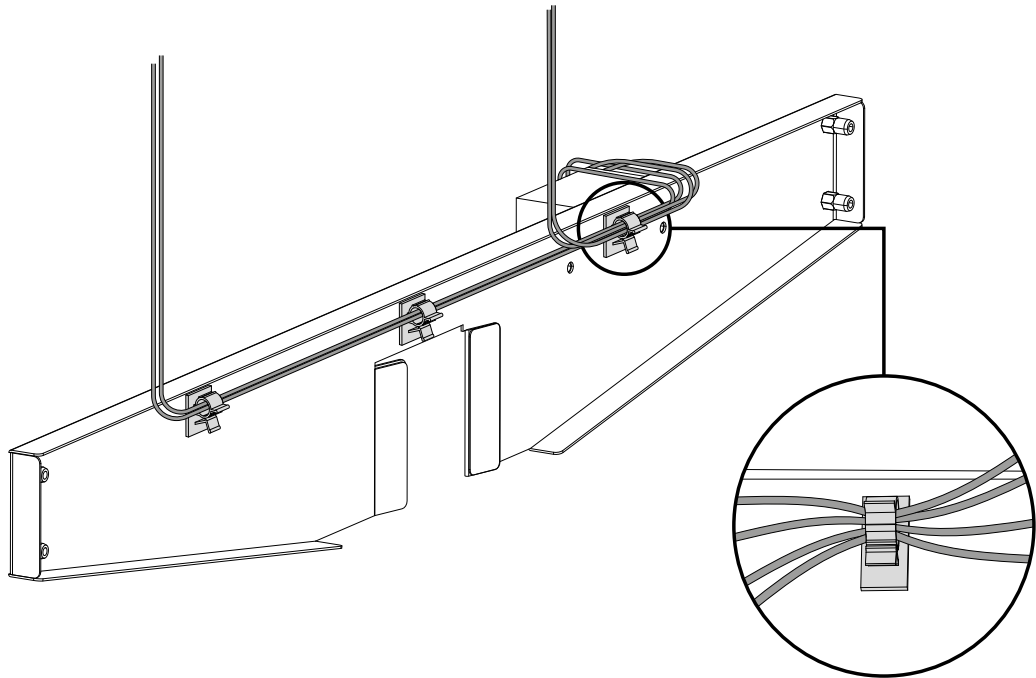
16.



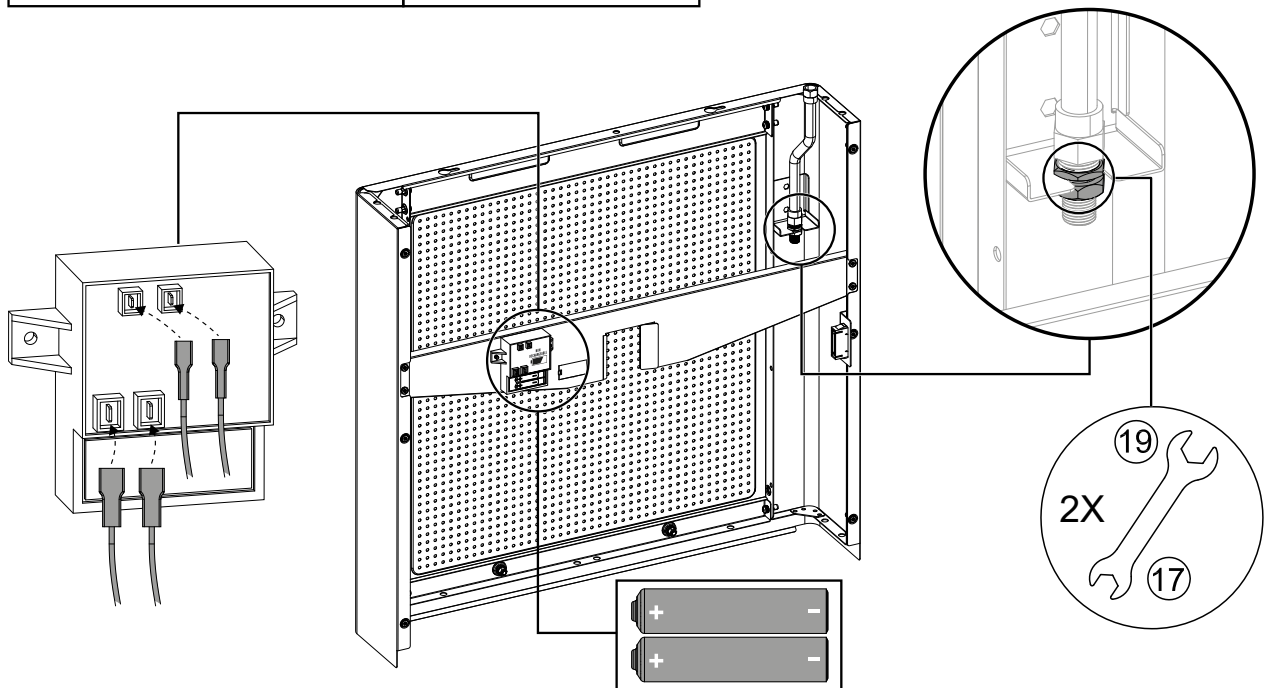
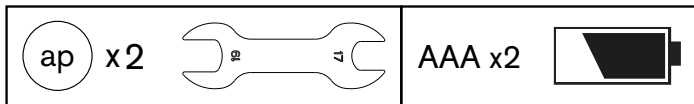
17.



18.

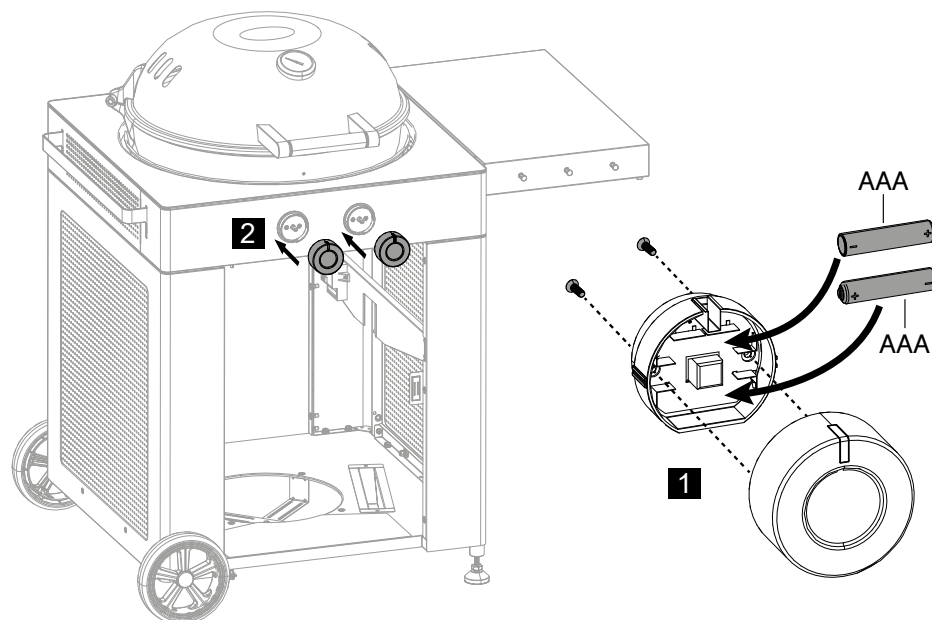
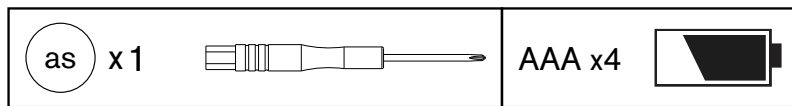


19.

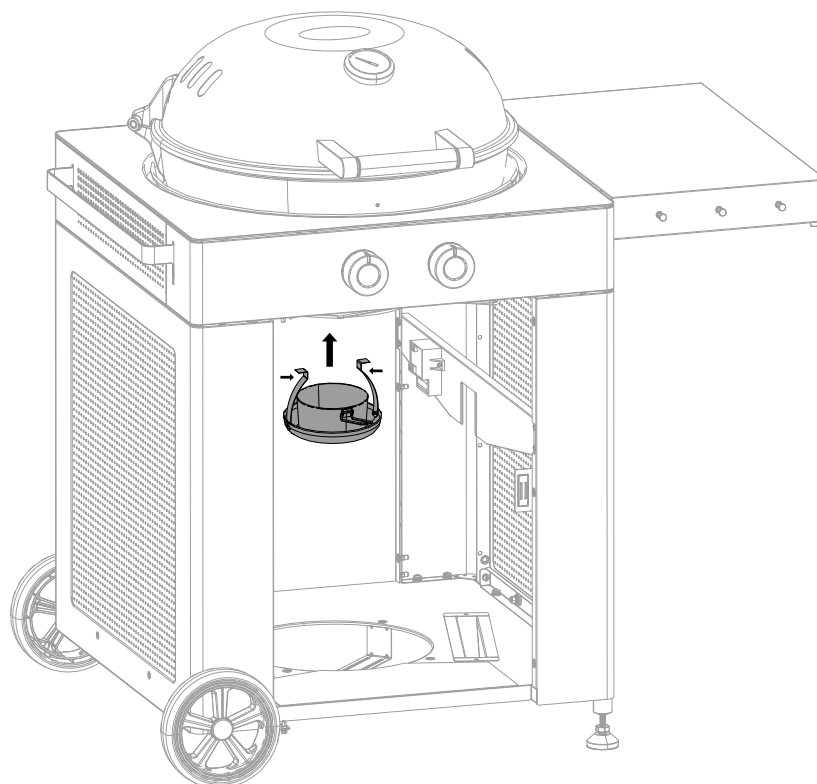


AROSA 570 G GREY STEEL

20.



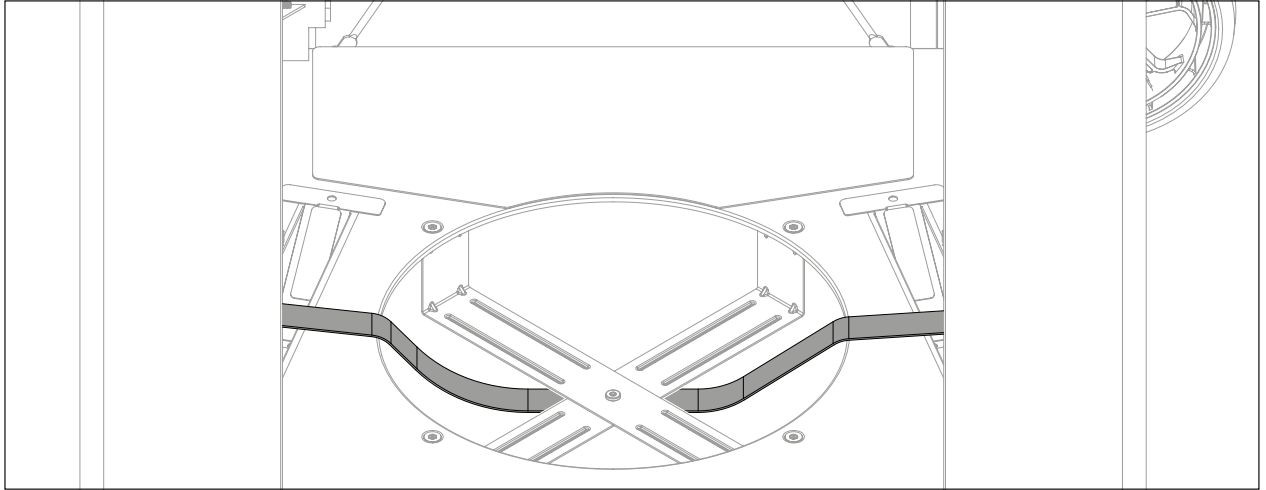
21.



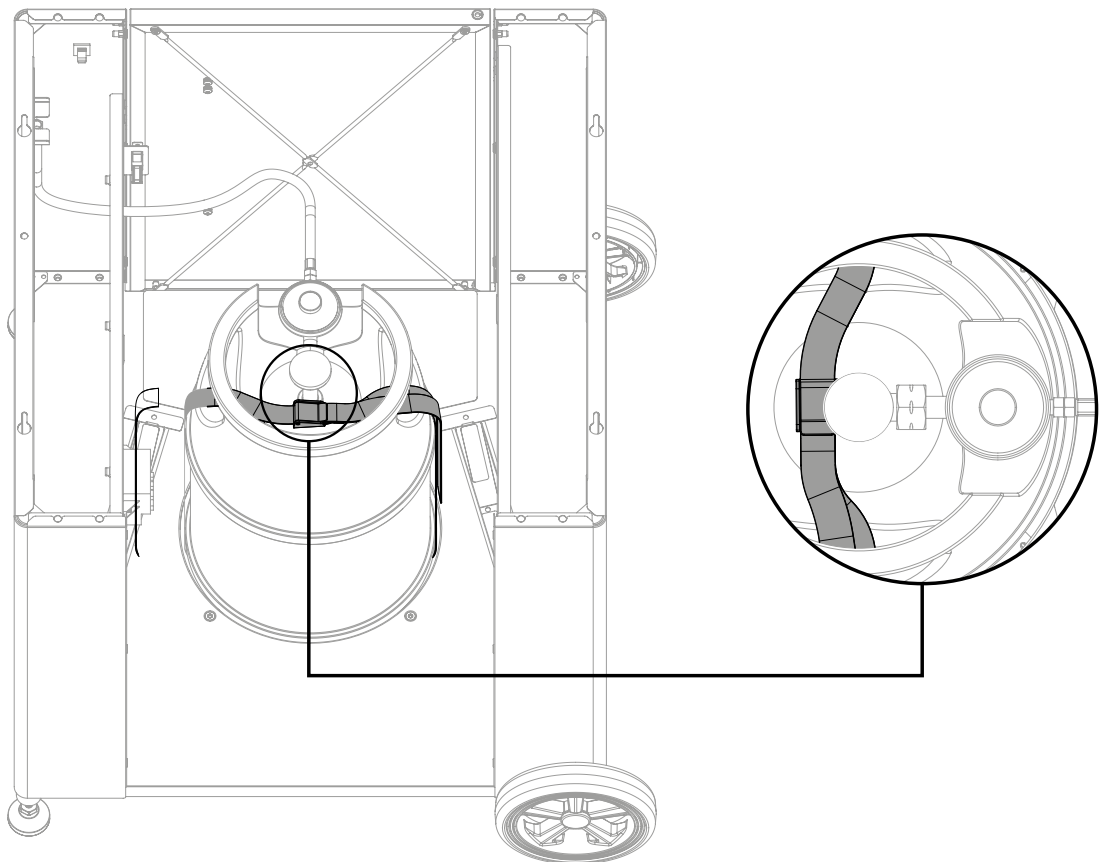
AROSA 570 G GREY STEEL

24.

1



2



SPAREPARTS			ERSATZTEIL-LISTE
Pos.	Art. Nr.	Description	Beschreibung
1	18.350.96	Lid, black	Deckel, schwarz
2	18.324.11	Lid handle cubic	Deckelgriff cubic
3	18.850.23	Heat indicator °C/°F	Temperatur Anzeiger °C/°F
4	18.822.55	Logo	Logo
5	18.324.12	Lid hinge set	Deckelscharnier Set
6	18.320.00	Cooking grid	Grillrost
7	18.324.08	Large funnel	Grosser Trichter
8	18.320.03	Small funnel	Kleiner Trichter
9	18.341.13	Burner small 30mbar	Kleiner Brenner 30mbar
9	18.341.14	Burner small 50mbar	kleiner Brenner 50mbar
10	18.341.20	Burner large 30mbar	Grosser Brenner 30mbar
10	18.341.21	Burner large 50mbar	Grosser Brenner 50mbar
11	18.341.23	Flame guard small burner 30 mbar	Flamenwächter Brenner klein 30 mbar
11	18.341.25	Flame guard small burner 50 mbar	Flamenwächter Brenner klein 50 mbar
12	18.341.24	Flame guard large burner 30 mbar	Flamenwächter Brenner gross 30 mbar
12	18.341.26	Flame guard large burner 50 mbar	Flamenwächter Brenner gross 50 mbar
13	18.324.70	Cap flame guard small burner	Kappe Flamenwächter Brenner klein
14	18.324.71	Cap flame guard large burner	Kappe Flamenwächter Brenner gross
15	18.341.19	Burnerfixation DB small	Fixiering DB klein
16	18.350.98	Bowl, black	Kugel, schwarz
17	18.324.52	Protection bowl	Schutzkugel
18	18.323.04	Drip pan	Fettauffangschale
19	18.323.05	Drip pan carrier	Fettauffangschale Halterung
20	18.360.90	Control knob safety light	Gasregulierknopf mit Kontrolllicht
21	18.730.37	Pulse ignition (2 outputs)	Elektrozündung (2 Ausgänge)
22	18.324.76	Side table grey	Seitentablar grau
23	18.324.17	Accessory pin (set of 2 piece)	Zubehör Pin (Set mit 2 Stück)
24	18.324.53	Towel holder grey	Handtuchhalterung grau
25	18.324.65	Stiffener A	Strebe A
26	18.324.66	Stiffener B	Strebe B
27	18.324.77	Right side panel grey	Rechte Seitenwand grau
28	18.324.78	Left side panel grey	Linke Seitenwand grau
29	18.324.79	Door grey	Türe grau
30	18.324.80	Door handle grey	Türgriff grau
31	18.324.64	Bottle jacket	Flaschenschale
32	18.324.55	Accessory insert	Zubehör Einsatz
33	18.324.63	Bottom plate	Bodenplatte
34	18.360.91	Wheel grey	Rad grau
35	18.360.92	Wheel cap	Rad Kappe
36	18.360.37	Height adjustment	Höhenverstellung
37	18.379.46	Hardware set	Schraubenset
38	18.360.86	Protection pin	Schutzstift
39	18.360.94	Spacer	Schutzstift Distanz
40	18.360.95	Protection pin	Puffer Seitentablar
41	18.371.85	Clip Bearing	Klammerlager

SPAREPARTS			ERSATZTEIL-LISTE
Pos.	Art. Nr.	Description	Beschreibung
42	18.361.00	Protection foil gas tank	Schutzfolie Gasflasche
43	18.361.02	Protection foil accessory insert	Schutzfolie Zubehör Einsatz
44	14.911.62	Adapter 5/8"UNF- 1/4"LH	Adapter 5/8"UNF - 1/4"LH
45	individual	Gas hose	Gasschlauch
46	individual	Gas regulator	Gasdruck-Regler
47	18.325.00	Wheel axle / black	Radachse / schwarz

Lesen Sie die Bedienungsanleitung sorgfältig durch, bevor Sie Ihren **OUTDOORCHEF** Grill in Betrieb nehmen.
Please read the user guide carefully before using your **OUTDOORCHEF** Barbeque.

Attention

Please write your serial number on the backside of the manual for future reference. You will find the number on the data plate attached to the trolley or the bottom plate depending on the grill model. **OUTDOORCHEF** can only supply spare parts and honour warranty returns when the serial number is available.

Achtung

Bitte notieren Sie auf der Rückseite Ihrer Gebrauchsanweisung die Serien-Nummer. Je nach Grillmodell finden Sie die Nummer auf dem Datensticker, welcher sich entweder am Grillgestell oder auf der Bodenplatte befindet. **OUTDOORCHEF** kann Garantie und Ersatzteillieferungen nur mit der Serien-Nummer bearbeiten.

Outdoorchef AG operates a policy of continuous product development and improvement.

As such we reserve the right to alter product design and or technical specification without giving any prior notice.