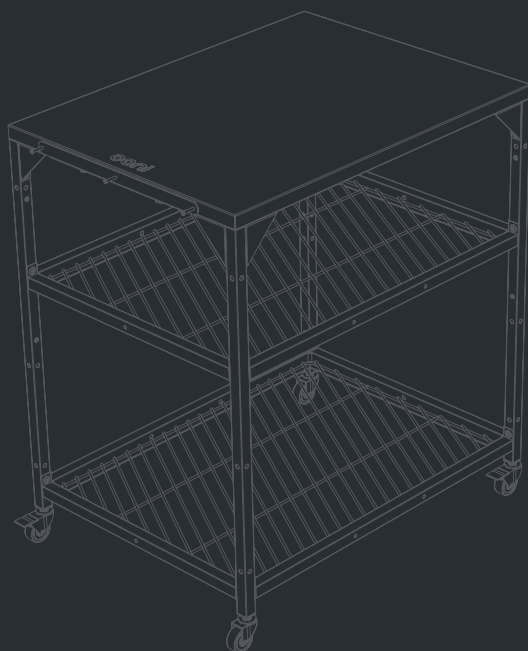
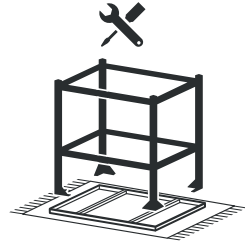
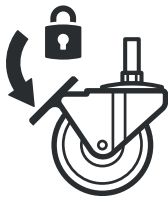
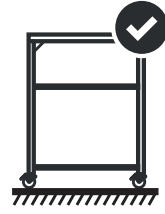
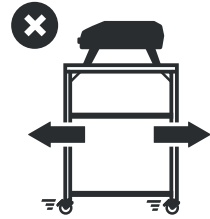


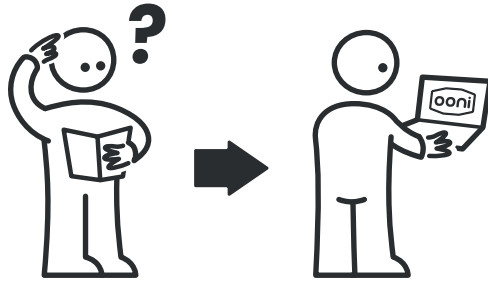


Modular Table – Medium

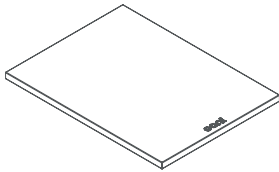
23.6 x 31.5" / 60 x 80 cm



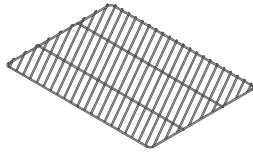




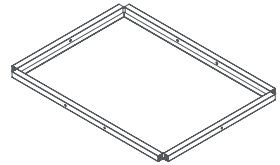
a x1



b x2



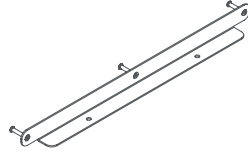
c x2



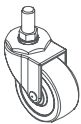
d x4



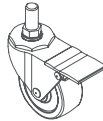
e x1



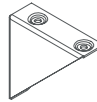
f x2



g x2



h x8



i x8



j x2



k x48



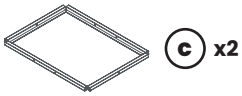
l x16



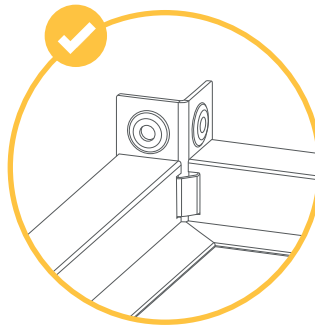
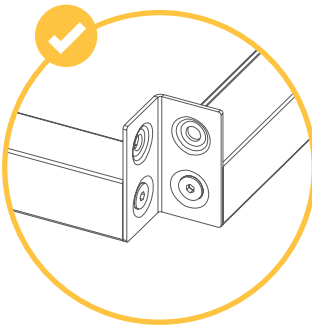
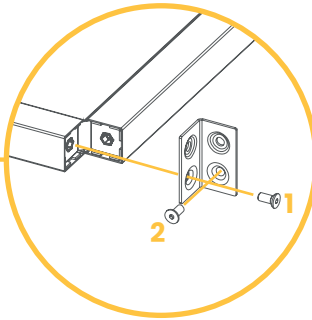
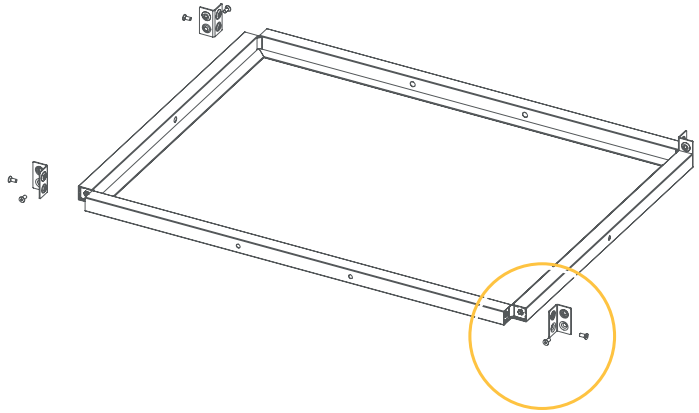
x1



x1



x2 **1**



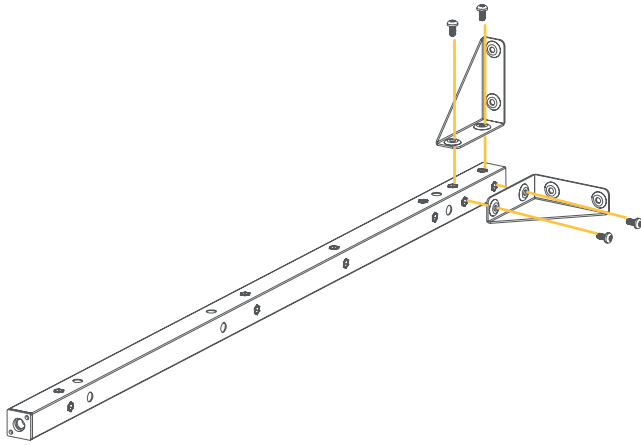
100%

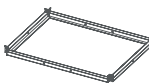
 **d** x4

 **h** x8

 **k** x16

x4 **2**

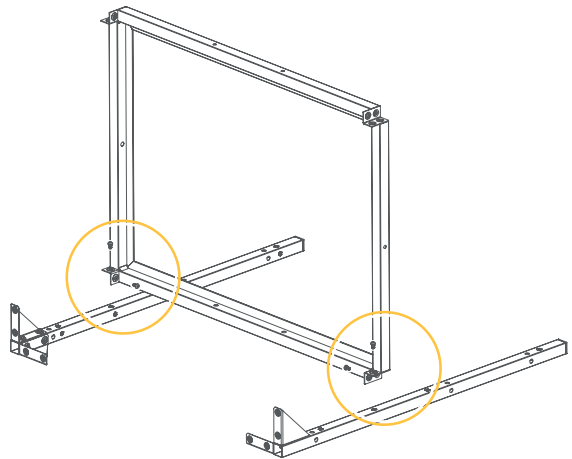
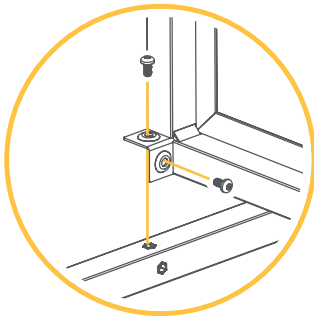


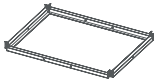
 **1** x1

 **2** x2

 **k** x4

3



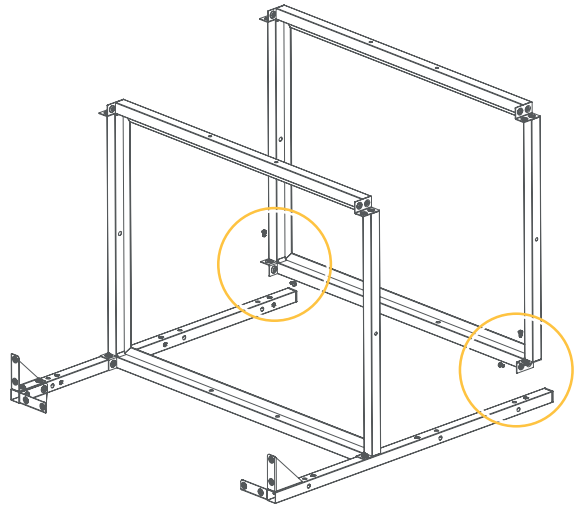
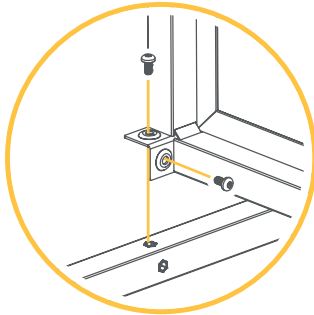


1 x1

4



k x4

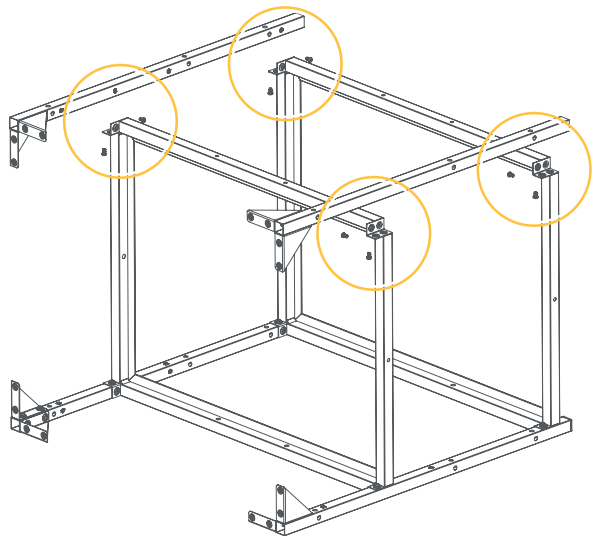
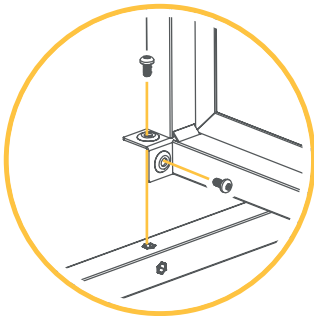


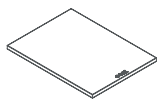
2 x2

5



k x8



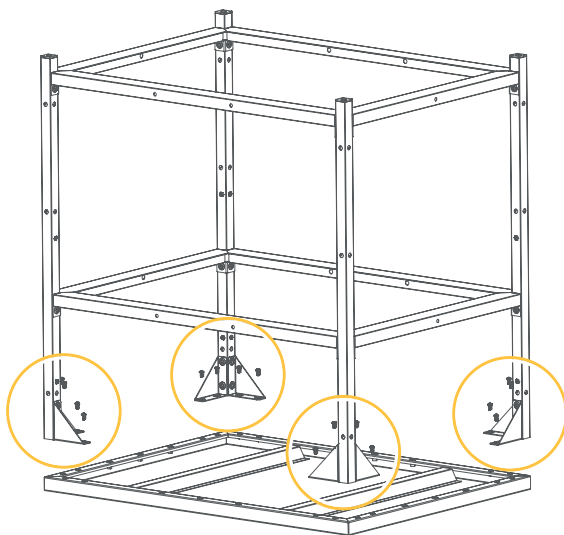
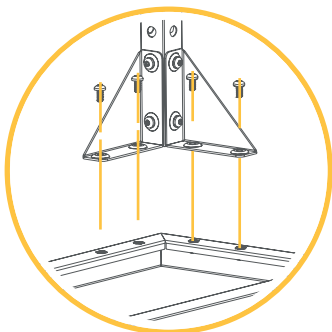
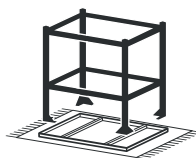


a x1



k x16

6



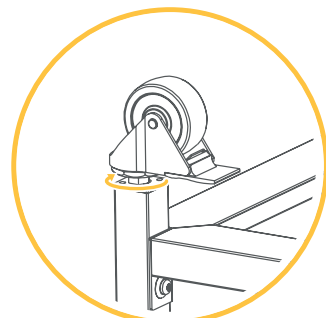
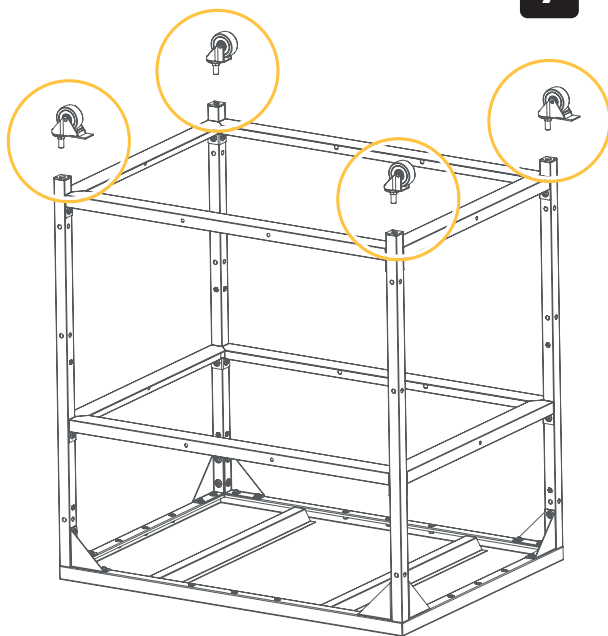
f x2



g x2

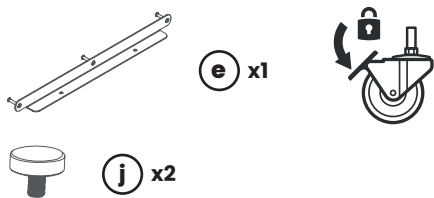
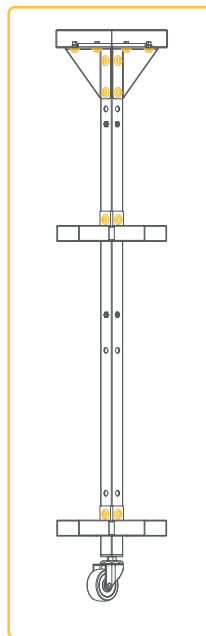
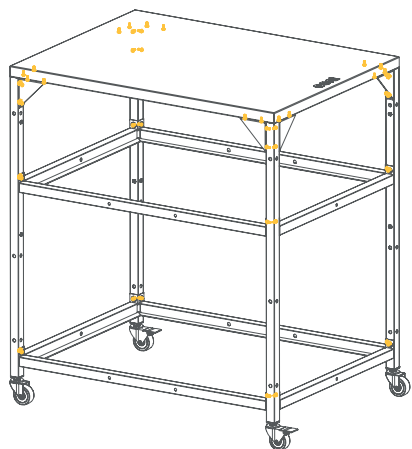


7

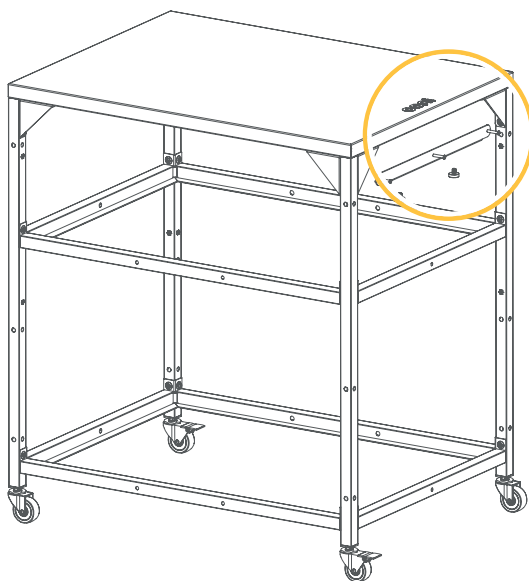
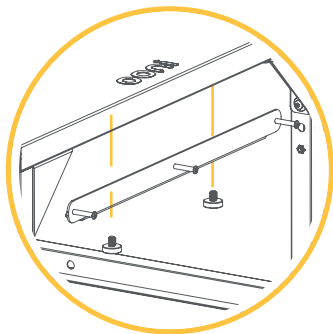


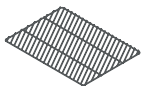


8



9





b x2

10

