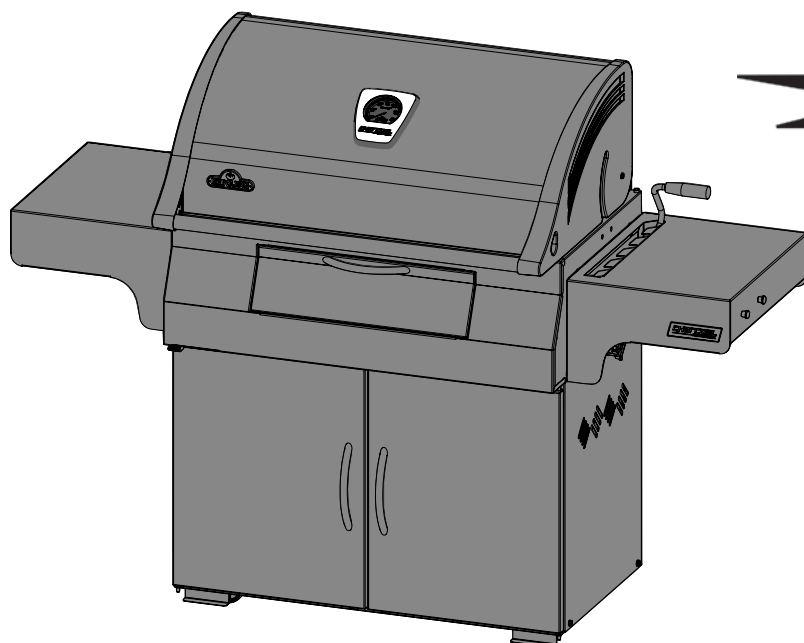
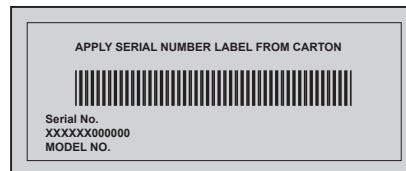


ASSEMBLY USE AND CARE MANUAL

THIS GRILL MUST ONLY BE USED OUTDOORS IN A WELL-VENTILATED SPACE
RETAIN THIS MANUAL FOR FUTURE REFERENCE

OUTDOOR CHARCOAL GRILL



WARNING

Do not try to light this appliance without reading the "LIGHTING" instruction section of this manual.



DANGER

Burning charcoal gives off carbon monoxide. Do not burn charcoal inside homes, garages, tents, vehicles or any enclosed areas.



WARNING! Failure to follow these instructions exactly could result in a fire causing serious injury or death.

THANK YOU FOR CHOOSING NAPOLEON

NAPOLEON products are designed with superior components and materials, and are assembled by trained craftsmen who take great pride in their work. This grill has been thoroughly inspected by a qualified technician before packaging and shipping to ensure that you, the customer, receive the quality product you expect from NAPOLEON.

We at Napoleon are dedicated to you, "our valued customer". It is our goal to provide you with the necessary tools for an unforgettable grilling experience. This manual is provided to assist you in assuring your new grill is assembled, installed, maintained and cared for properly. It is important to read and understand this entire manual before operating your new grill to ensure you fully understand all the safety precautions and features your grill has to offer. By carefully following these instructions, you will enjoy years of trouble-free grilling. If this product fails to meet your expectations, for any reason, please call our customer care department at 1-866-820-8686 between 9 AM and 5 PM (Eastern Standard Time) or visit our Website at www.napoleongrills.com.



NAPOLEON GRILL PRESIDENT'S LIMITED LIFETIME WARRANTY

NAPOLEON warrants the following materials and workmanship in your new NAPOLEON grill against defects for as long as you own the grill. This covers aluminum castings (excluding paint), stainless steel and porcelain enameled base, wheels, knobs, porcelain enameled lids and stainless steel lid inserts, and lid handles, subject to the following conditions: During the first five years NAPOLEON will provide replacement parts at our option free of charge. From the sixth year to lifetime NAPOLEON will provide replacement parts at 50% of the current retail price.

Components such as cast iron cooking grids, lifting mechanism, and temperature gauges are covered and NAPOLEON will provide parts free of charge during the first two years of the limited warranty.

All other components including casters, warming racks, fasteners and accessories are covered and NAPOLEON will provide parts free of charge during the first year of the limited warranty.

NAPOLEON shall not be liable for any transportation charges, labor costs or export duties.

CONDITIONS AND LIMITATIONS

"NAPOLEON warrants its products against manufacturing defects to the original purchaser only, provided that the purchase was made through an authorized NAPOLEON dealer and is subject to the following conditions and limitations:"

This factory warranty is non-transferable and may not be extended what-so-ever by any of our representatives.

The grill must be installed by a licenced, authorized service technician or contractor. Installation must be done in accordance with the installation instructions included with the product and all local and national building and fire codes.

This limited warranty does not cover damages caused by misuse, lack of maintenance, grease fires, hostile environments, accident, alterations, abuse or neglect and parts installed from other manufacturers will nullify this warranty.

This limited warranty further does not cover any scratches, dents, painted finishes, corrosion or discoloring by heat, abrasive and chemical cleaners, nor chipping on porcelain enamel parts, nor any components used in the installation of the grill.

Should deterioration of parts occur to the degree of non-performance within the duration of the warranted coverage, a replacement part will be provided.

In the first year only, this warranty extends to the replacement of warranted parts, which are defective in material or workmanship provided that the product has been operated in accordance with the operation instructions and under normal conditions.

After the first year, with respect to this President's Limited Lifetime Warranty NAPOLEON may, at its discretion, fully discharge all obligations with respect to this warranty by refunding to the original warranted purchaser the wholesale price of any warranted but defective part(s).

NAPOLEON will not be responsible for the installation, labor or any other costs or expenses related to the re-installation of a warranted part, and such expenses are not covered by this warranty.

Notwithstanding any provision contained in this President's Limited Lifetime Warranty NAPOLEON's responsibility under this warranty is defined as above and it shall not in any event extend to any incidental, consequential, or indirect damages.

This warranty defines the obligation and liability of NAPOLEON with respect to the NAPOLEON grill and any other warranties expressed or implied with respect to this product, its components or accessories are excluded.

NAPOLEON neither assumes, nor authorizes any third party to assume, on its behalf, any other liabilities with respect to the sale of this product.

NAPOLEON will not be responsible for: over firing, blow outs caused by environmental conditions such as strong winds, or inadequate ventilation.

Any damages to the grill due to weather, hail, rough handling, damaging chemicals or cleaners will not be the responsibility of NAPOLEON.

The bill of sale or copy will be required together with a serial number and a model number when making any warranty claims from NAPOLEON.

NAPOLEON reserves the right to have its representative inspect any product or part prior to honoring any warranty claim.

NAPOLEON shall not be liable for any transportation charges, labor costs, or export duties.



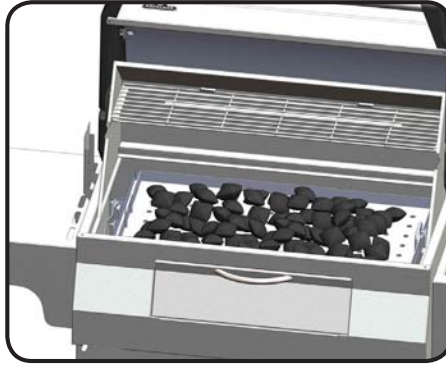
WARNING! Failure to follow these instructions could result in property damage, personal injury or death. Read and follow all warnings and instructions in this manual prior to operating grill.

Safe Operating Practices

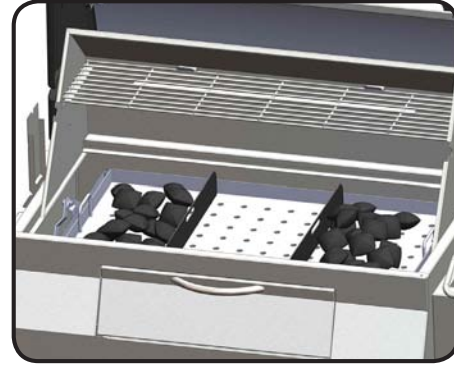
- Read the entire instruction manual before operating the grill.
- Under no circumstance should this grill be modified.
- Follow lighting instructions carefully when operating grill.
- Do not light charcoal with lid closed.
- Do not lean over grill when lighting.
- Prior to lighting rear chamber (burner) it must be in position on the brackets inside of the hood.
- Do not use gasoline, alcohol, or other highly volatile fluids to ignite charcoal. Use ONLY charcoal starter fluid approved for lighting charcoal. Make sure that any fluids that have drained through the bottom of the grill are removed before lighting the charcoal.
- Charcoal starter fluid should never be added to hot or even warm coals.
- After use and before lighting, charcoal starter fluid should be capped and stored a safe distance away from the grill, at least 25 feet (7.6m).
- Keep children and pets away from hot grill, DO NOT allow children to climb inside cabinet.
- Do not leave the grill unattended while in use.
- Do not move grill when hot or operating.
- This grill must not be installed in or on recreational vehicles and/or boats.
- This grill must only be stored outdoors in a well-ventilated area and must not be used inside a building, garage, screened in porch, gazebo or any enclosed area.
- Maintain proper clearance to combustibles 16" (410mm) to rear of unit 7" (180mm) to sides). This clearance is also recommended near vinyl siding or panes of glass.
- At all times keep the ventilation openings of the enclosure free and clear from debris.
- Do not place hands inside grill when adjusting charcoal tray. Keep hands and fingers away from the lifting mechanism at all times.
- Do not operate unit under any combustible construction.
- Do not operate this grill under any overhead construction such as roof coverings, carports, awnings or overhangs.
- Do not locate in windy settings. High winds adversely affect the cooking performance of the grill.
- The lid is to be closed during the preheat period.
- The ash/grease tray must be in place when using the grill.
- Clean the ash/grease tray regularly to avoid build-up, which may lead to grease fires.
- Do not use the side shelves to store lighters, matches or any other combustibles.
- The grill should be on level ground at all times.
- Do not use water to control flare-ups or extinguish coals, as it may damage your grill's finish.
- To control flare-ups, slightly close the vents on your grill. To completely extinguish coals/fire, close all vents and lid completely.
- Use proper grilling tools with long, heat-resistant handles.
- Use barbecue mitts or hot pads to protect hands while cooking or adjusting the vents.
- Do not remove ashes from grill until all charcoal is completely burned out and fully extinguished. Allow ample time to cool.
- Remaining coal and ashes are to be removed from grill and stored in a non-combustible metal container. Allow to remain in metal container 24 hours before disposing of.
- Keep electrical supply cords away from water or heated surfaces.
- Always use this grill in accordance with local codes.
- **California Proposition 65:** The burning of charcoal creates by-products, some of which are on the list as substances known by the State of California to cause cancer or reproductive harm. When cooking with charcoal, always ensure adequate ventilation to the unit, to minimize exposure to such substances.

Lighting Instructions

DIRECT COOKING



INDIRECT COOKING



Charcoal Usage

Cooking Method	Charcoal Recommended
Direct Cooking	100
InDirect Cooking	50 per side *(add 16 per side for each additional hour of cooking time)

*Charcoal recommendations are approximate, longer cooking times require additional charcoal to be added. As well, colder, windy temperatures will require additional charcoal to reach ideal cooking temperatures.



WARNING! Open lid.

WARNING! Locate the grill outdoors on a solid, level, non-combustible surface. Never use grill on wooden or other surfaces that could burn.

WARNING! Do not lean over grill when lighting charcoal.

WARNING! Ashpan must be in place during lighting and anytime during use.

MAIN CHAMBER LIGHTING DIRECT COOKING METHOD	MAIN CHAMBER LIGHTING INDIRECT COOKING METHOD	REAR CHAMBER LIGHTING (ROTISSERIE BURNER)
1. Fully open the vent on the base. Open the grill lid and remove the cooking grids.	1. Fully open the vent on the base. Open the grill lid and remove the cooking grids.	1. Fully open the vent on the base.
2. Ensure the ash pan is cleaned out from the previous use and then re-install.	2. Ensure the ash pan is cleaned out from the previous use and then re-install.	2. Ensure the ash pan is cleaned out from the previous use and then re-install.
3. Use either the Ultrachef Charcoal Starter (not included) following the instructions included in the manual, or place lighter cubes or lightly crumpled newspaper on the charcoal tray. Place the charcoal in a cone shaped pile in the center of the unit on the newspaper or lighter cubes.	3. Place a drip pan in the center of the charcoal tray. Engage the charcoal dividers into the charcoal tray on either side of the drip pan. Use either the Ultrachef Charcoal Starter (not included) following the instructions included in the manual, or place lighter cubes or lightly crumpled newspaper in the area provided by the charcoal dividers. Place the charcoal in the divider area onto the newspaper or lighter cubes.	3. Place lighter cubes or lightly crumpled newspaper into the charcoal basket. Do not over fill. Remove the warming rack. Ensure basket is in position, hanging from hood brackets, prior to lighting.
4. Light the newspaper or lighter cubes. Once fully lit, close the lid and allow the charcoal to burn until it is covered in a light grey ash (approximately 20 minutes).	4. Light the newspaper or lighter cubes. Once fully lit, close the lid and allow the charcoal to burn until it is covered in a light grey ash (approximately 20 minutes).	4. Light the newspaper or lighter cubes. Once fully lit, close the lid and allow the charcoal to burn until it is covered in a light grey ash (approximately 20 minutes).
5. Using tongs with long heat resistant handles spread the coals to evenly cover the entire charcoal tray		5. Using tongs with long heat resistant handles, spread the coals out evenly.



WARNING! DO NOT OPERATE THE REAR CHAMBER WITH MAIN CHAMBER OPERATING



Starter fluid can be used to light the charcoal, but it is not the preferred method. It can be messy and may leave a chemical taste on the food if not completely burned off prior to cooking. Once lit, never add additional starter fluid to the grill. Store the bottle at least, 25 ft (7.6m) away from the grill when operating.

Charcoal Starter Safe Operating Practices



WARNING!

- For outdoor use only.
- Do not use the Charcoal Starter unless it is placed on a firm, level charcoal grate and the charcoal grill is on a firm, level, non-combustible surface.
- Do not place the Charcoal Starter on any combustible surface unless the Charcoal Starter is completely cool.
- Do not use lighter fluid, gasoline or self lighting charcoal in the Charcoal Starter.
- Only use the Charcoal Starter to light charcoal for charcoal grills.
- Always wear protective gloves when handling the Charcoal Starter.
- Keep children and pets away from the Charcoal Starter at all times.
- Do not use the Charcoal Starter in high winds.
- Do not leave the Charcoal Starter unattended while in use.
- Do not lean over the Charcoal Starter when lighting.
- Never use the Charcoal Starter for other than intended use. Do not use the Charcoal Starter to prepare food.
- Use extreme caution when pouring hot coals out of the Charcoal Starter.

CHARCOAL STARTER



Using the Charcoal Starter

- Turn the Charcoal Starter upside down.
- Crumple two full sheets of newspaper and stuff them into the bottom of the Charcoal Starter.
- Turn the Charcoal Starter right side up and place it in the centre of the charcoal grate.
- Add appropriate amount of charcoal but do not over fill.
- Light a match, and insert into one of the bottom air vents to ignite the newspaper.
- When the top layer of charcoal has a light coating of grey ash, wearing protective gloves carefully pour the hot charcoal onto the charcoal grate (direct cooking method) or place into the charcoal baskets (indirect method).
- Once the hot charcoal is placed into the grill, spread the charcoal out evenly using tongs with long heat resistant handles.

Charcoal Cooking Guide

Charcoal is the traditional way of cooking that we are all familiar with. The glowing briquettes emit infrared energy to the food being cooked, with very little drying effect. Any juices or oils that escape from the food drip down onto the charcoal and vaporize into smoke giving the food its delicious grilled taste. The bottom line is that Napoleon's charcoal grill produces searing heat for juicier, tastier steaks, hamburgers and other meats. For cooking times and tips refer to the Charcoal Grilling Chart.

The following grilling chart is meant to be a guideline only. Cooking times are affected by such factors as altitude, outside temperature, wind, and desired doneness, which will be reflected in your cooking time. Use a meat thermometer to ensure foods are adequately cooked.

Charcoal Grilling Chart

Food	Direct/Indirect Heat	Cooking Time	Helpful Suggestions
Steak 1 in. (2.54cm) thick	Direct heat	6-8 min.– Medium	When selecting meat for grilling, ask for marbled fat distribution. The fat acts as a natural tenderizer while cooking and keeps it moist and juicy.
Hamburger 1/2 in (1.27cm) thick	Direct heat	6-8 min.– Medium	Preparing hamburgers to order is made easier by varying the thickness of your patties. To add an exotic taste to your meat, try adding hickory-flavored woodchips to the charcoal.
Chicken pieces	Direct heat approx 2 min. per side. Indirect heat for the remaining 18-20 min.	20-25 min.	The joint connecting the thigh and the leg from the skinless side should be sliced 3/4 of the way though for the meat to lay flatter on the grill. This helps it to cook faster and more evenly. To add a trademark taste to your cooking, try adding mesquite-flavored woodchips to the charcoal.
Pork chops	Direct heat	10-15 min.	Trim off the excess fat before grilling. Choose thicker chops for more tender results.
Spare ribs	Direct heat for 5 min. Indirect heat to finish	1.5-2 hrs. turning often	Choose ribs that are lean and meaty. Grill until meat easily pulls away from the bone.
Lamb chops	Direct heat	25-30 min.	Trim off the excess fat before grilling. Choose extra thick chops for more tender results.
Hot dogs	Direct heat	4-6 min.	Select the larger size wieners. Slit the skin lengthwise before grilling.

Cooking Instructions

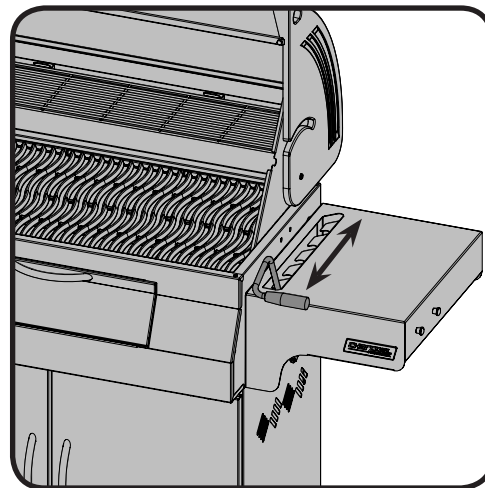
Initial Lighting: When lit for the first time, the grill emits a slight odor. This is a normal temporary condition caused by the “burn-in” of internal paints and lubricants used in the manufacturing process and does not occur again. Simply burn the grill on high for approximately 30 minutes with the lid and base vents fully open.



WARNING! Never place your hands inside the grill when adjusting the charcoal tray. Keep hands and fingers away from lifting mechanism at all times.

Main Chamber Use: The charcoal tray has six positions in which it can operate. For optimal use, we recommend locking the charcoal tray in the uppermost position as close to the cooking grids as possible. Lowering the tray away from the food as desired, and closing the intake vents can reduce temperatures.

We recommend preheating the grill by operating it with the lid closed for approximately 20 minutes. The coals are ready when they have a light coating of grey ash. Food cooked for short periods of time (fish, vegetables) can be grilled with the lid open. Cooking with the lid closed ensures higher, more even temperatures that will reduce cooking time and cook the food more evenly. When cooking very lean meat, such as chicken breast or lean pork, the grids can be oiled before preheating to reduce sticking. Cooking meat with a high degree of fat content may create flare-ups. Either trim the fat or reduce temperatures to inhibit this. Should a flare-up occur, move food away from flames; reduce the heat (reduce vent opening). Leave the lid open.



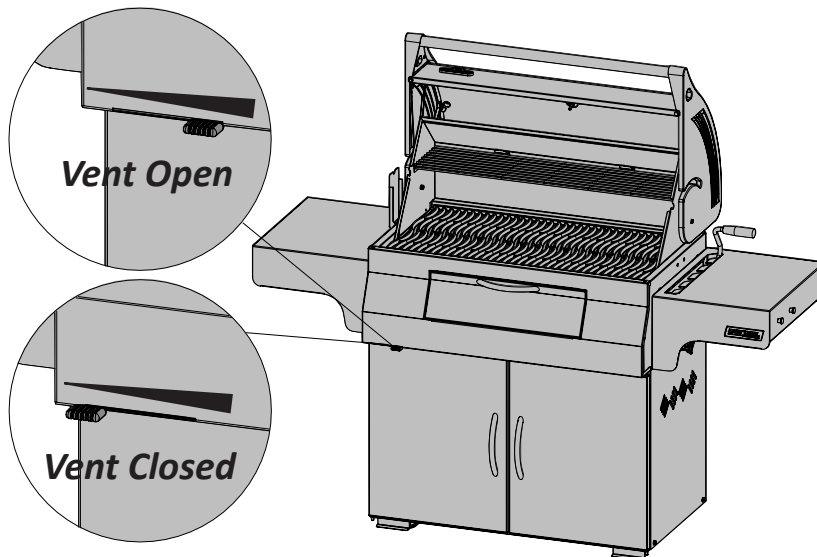
As a general rule, plan on using about 100 briquettes to cook 4 lb. (2kg) of meat. If cooking for more than 30 to 40 minutes, additional briquettes must be added to the fire. When the weather is cold or windy, you will need more briquettes to reach ideal cooking temperatures.

Adding Charcoal During Cooking: Use caution when adding charcoal to the grill. Flames may flare up when coals come in contact with fresh air. Carefully open door located on front of base. Stand back a safe distance and use a long-handled heat-resistant cooking tongs to add additional charcoal briquettes.



WARNING! Never add charcoal starter fluid to hot or warm coals. Once charcoal is ignited no more fluid is required.

Operating The Vents: Vents on a covered grill are usually left open to allow air into the grill. Air increases the burning temperature of the coals. You can regulate the grill's temperature by moving the vent slide to the right or left. Closing the vents either partially or completely will help to cool down the coals. Do not completely close the air vents and the lid vent unless you are trying to cool down or extinguish a flame.



Rear Chamber Use (Rotisserie Burner): Remove the warming rack prior to use. Cooking grids should also be removed if they interfere with the rotisserie. Ensure rear chamber is installed on brackets located inside hood prior to lighting. The rear chamber is designed to be used in conjunction with the rotisserie kit (included with rear burner units) available from your dealer. See the rotisserie kit assembly instructions. To use the counterbalance, remove the rotisserie motor from the grill. Place the spit with meat being cooked across the hangers inside the grill. The meat will naturally hang with the heavy side down. Tighten the counterbalance arm and weight, so that the arm is facing up. Slide the counterweight in or out to balance the load, and tighten in place. Re-install the motor and begin cooking. Place a dish underneath to collect drippings for basting and naturally delicious gravy. Basting liquid may be added as required. Keep the lid closed for best results. Your roasts and fowl will brown perfectly on the outside and stay moist and tender on the inside. For example, a 3-pound chicken on the rotisserie will be done in approximately 1½ hours on medium to high. To add additional charcoal briquettes during cooking stand back a safe distance and use long heat-resistant handle cooking tongs.



WARNING! Only install rear chamber when using.



WARNING! Never add charcoal starter fluid to hot or warm coals, once charcoal is ignited no more fluid is required.



After Use Safety

WARNING! To protect yourself and your property from damage, carefully follow these safety precautions.

- Close the grill lid and all vents to extinguish fire.
- Always allow the grill to cool completely before handling.
- Never leave coals and ashes in grill unattended. Make sure coals and ashes are completely extinguished before removing.
- Use a metal spatula or scoop to remove remaining coals and ashes from grill. Place them in a non-combustible metal container and completely saturate with water. Leave in container an additional 24 hours before disposing.

Maintenance / Cleaning Instructions

It is recommended that the ashtray/dripan be emptied out after each use.



WARNING! Ensure the grill is cool and all coals are completely extinguished prior to removing any part from your grill.

WARNING! Always wear protective gloves and safety glasses when cleaning your grill.

WARNING! Do not use pressure washer to clean any part of the grill.

WARNING! To avoid the possibility of burns, maintenance should be done only when the grill is cool. Avoid unprotected contact with hot surfaces. Clean grill in an area where cleaning solutions will not harm decks, lawns, or patios. Do not use oven cleaner to clean any part of this grill. Do not use a self-cleaning oven to clean cooking grids or any other parts of the grill. Barbecue sauce and salt can be corrosive and will cause rapid deterioration of the grill components unless cleaned regularly.

Grids And Warming Rack: The grids and warming rack are best cleaned with a brass wire brush during the pre-heating period. Steel wool can be used for stubborn stains.

Cleaning Inside The Grill: Remove the cooking grids. Use a brass wire brush to clean loose debris from the casting sides and the insides of the lid. Scrape the inside of the base with a putty knife or scraper, and use a wire brush to remove ash. Sweep all debris from inside the grill into the removable ash/drip pan. If desired you can wash the inside of the grill with a mild detergent and water. Rinse well with clear water and wipe dry.



WARNING! Accumulated grease is a fire hazard. Clean the drip pan after each use to avoid grease buildup.

Ash/Drip Pan: Ashes, grease and excess drippings pass through to the ash/drip pan, located beneath the charcoal grill, and accumulate. To clean, slide the pan free of the grill. Never line the pan with aluminum foil, sand or any other material as this could prevent the grease from flowing properly. The pan should be scraped out with a putty knife or scraper, and all the debris brushed into a non-combustible metal container. Wash the ash/drip pan with a mild detergent and water. Rinse well with clear water and wipe dry.

Cleaning The Outer Grill Surface: Do not use abrasive cleaners or steel wool on any painted, porcelain or stainless steel parts of your Napoleon Grill. Doing so will scratch the finish. Exterior grill surfaces should be cleaned with warm soapy water while the metal is still warm to the touch. To clean stainless surfaces, use a stainless steel or a non-abrasive cleaner. Always wipe in the direction of the grain. Over time, stainless steel parts discolor when heated, usually to a golden or brown hue. This discoloration is normal and does not affect the performance of the grill. Porcelain enamel components must be handled with additional care. The baked-on enamel finish is glass-like, and will chip if struck. Touch-up enamel is available from your Napoleon Grill dealer.

Troubleshooting

Problem	Possible Causes	Solution
Low heat / Low flame.	<p>Improper preheating.</p> <p>Not enough airflow.</p> <p>Low charcoal.</p> <p>Improper charcoal tray location.</p>	<p>Allow charcoal to burn until covered with a light grey ash. (usually 20-25min).</p> <p>Open Vents.</p> <p>Add more charcoal to the charcoal tray.</p> <p>Raise charcoal tray to highest position.</p>
Excessive flare-ups/ uneven heat.	<p>Improper preheating.</p> <p>Excessive grease and ash build up in ash/drip pan.</p> <p>Improper charcoal tray location.</p>	<p>Preheat grill with lid closed for 20 - 25 mins.</p> <p>Clean ash/drip pan regularly. Do not line pan with aluminum foil. Refer to cleaning instructions.</p> <p>Lower charcoal tray to lowest position.</p>
"Paint" appears to be peeling inside lid or hood.	Grease build up on inside surfaces.	This is not a defect. The finish on the lid and hood is stainless steel, and will not peel. The peeling is caused by hardened grease, which dries into paint-like shards that will flake off. Regular cleaning will prevent this. See cleaning instructions.

Charcoal Grilling In Review

Lighting Your Grill

- Before cooking for the first time, we recommend burning on high for 30 minutes with the base vents fully open. This will burn off any lubricants used in the manufacturing process.
- Fully open the vent on the base each time you light your grill.
- Ensure the ash pan is cleaned out from the previous use and then re-install.
- Use either the Ultrachef Charcoal Starter (not included) following the instructions included in the manual. Place the charcoal in a cone shaped pile in the center of the unit (direct cooking method) or the optional charcoal baskets (indirect method).
- Once fully lit, close the lid and allow the charcoal to burn until it is covered in a light grey ash (approximately 20 minutes), arrange the charcoal using tongs with heat resistant handles according to the cooking method you are going to use.
- Starter fluid can be used to light the charcoal, but it is not the preferred method. It can be messy and may leave a chemical taste on the food if not completely burned off prior to cooking. Once lit, never add additional starter fluid to the grill. Store the bottle at least 25ft (7.6m) away from the grill when operating.
- Additional smoke flavour can be achieved by adding smoker chips which are available in a variety of flavours through your Napoleon dealer.

Cooking With Your Grill

- We recommend preheating the grill by operating it with the lid closed for approximately 20 minutes. The coals are ready when they have a light coating of grey ash.
- As a general rule plan on using about 100 briquettes to cook 4 lb. (1kg) of meat. If cooking for more than 30 to 40 minutes, additional briquettes must be added to the fire. When the weather is cold or windy, you will need more briquettes to reach ideal cooking temperatures.
- Use caution when adding charcoal to the grill. Flames may flare up when coals come in contact with fresh air. Stand back a safe distance and use a long-handled heat-resistant cooking tongs to add additional charcoal briquettes.
- Vents on a covered grill are usually left open to allow air into the grill. Air increases the burning temperature of the coals. You can regulate the grill's temperature by moving the vent slide to the right or left.
- Allow food to cook with the lid closed. Every time the lid is removed, the temperature drops. This leads to lower temperatures and longer cooking times.
- Closing the vents either partially or completely will help to cool down the coals. Do not completely close the air vents unless you are trying to cool down or extinguish a flame.
- The cooking grid can be oiled before preheating to reduce sticking.
- Use a meat thermometer to ensure foods are adequately cooked.

Grill Clean Up

- Close the grill lid and all vents to extinguish fire.
- Always allow the grill to cool completely before handling.
- Never leave coals and ashes in grill unattended. Make sure coals and ashes are completely extinguished before removing.
- Use a metal spatula or scoop to remove remaining coals and ashes from grill. Place them in a non-combustible metal container and completely saturate with water. Leave in container an additional 24 hours before disposing.
- Use a brass wire brush to clean loose debris from the base and the insides of the lid.
- Wash the inside of the grill with a mild detergent and water. Rinse well with clear water and wipe dry.
- Porcelain enamel components must be handled with additional care. The baked-on enamel finish is glass-like, and will chip if struck. Touch-up enamel is available from your Napoleon Grill dealer.

KEEP YOUR RECEIPT AS PROOF OF PURCHASE TO VALIDATE YOUR WARRANTY.

Ordering Replacement Parts

Warranty Information

MODEL: _____

DATE OF PURCHASE: _____

SERIAL NUMBER: _____

(Record information here for easy reference)

Before contacting the Customer Care Department, check the NAC Website for more extensive cleaning, maintenance, troubleshooting and parts replacement instructions at www.napoleongrills.com. Contact the factory directly for replacement parts and warranty claims. Our Customer Care Department is available between 9 AM and 5 PM (Eastern Standard Time) at 1-866-820-8686 or fax at 1-705-727-4282. To process a claim, we must be provided with the following information:

1. Model and serial number of the unit.
2. Part number and description.
3. A concise description of the problem ('broken' is not sufficient).
4. Proof of purchase (photocopy of the invoice).

In some cases the Customer Care Representative could request to have the parts returned to the factory for inspection before providing replacement parts. These parts must be shipped prepaid to the attention of the Customer Care Department with the following information enclosed:

1. Model and serial number of the unit.
2. A concise description of the problem ('broken' is not sufficient).
3. Proof of purchase (photocopy of the invoice).
4. Return Authorization Number - provided by the Customer Care Representative.

Before contacting customer care, please note that the following items are not covered by the warranty:

- Costs for transportation, brokerage or export duties.
- Labor costs for removal and reinstallation.
- Costs for service calls to diagnose problems.
- Discoloration of stainless steel parts.
- Part failure due to lack of cleaning and maintenance, or use of improper cleaners (oven cleaner).



FAX TO: 705 727 4282

ACCESSORIES & PARTS ORDER FORM

PLEASE PRINT CLEARLY

CONTACT NAME: _____

SHIP TO : _____

TEL : _____ FAX : _____

EMAIL: _____

VISA OR MASTERCARD # : _____ EXPIRY DATE: _____

SIGNATURE: _____

QUANTITY	PART NUMBER	DESCRIPTION

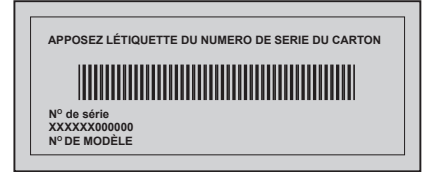
TAXES MAY APPLY
SHIPPING EXTRA

MANUEL D'ASSEMBLAGE, D'UTILISATION ET D'ENTRETIEN
CE GRIL DOIT ÊTRE UTILISÉ UNIQUEMENT À L'EXTÉRIEUR DANS UN ENDROIT BIEN AÉRÉ
CONSERVEZ CE MANUEL POUR CONSULTATION ULTÉRIEURE

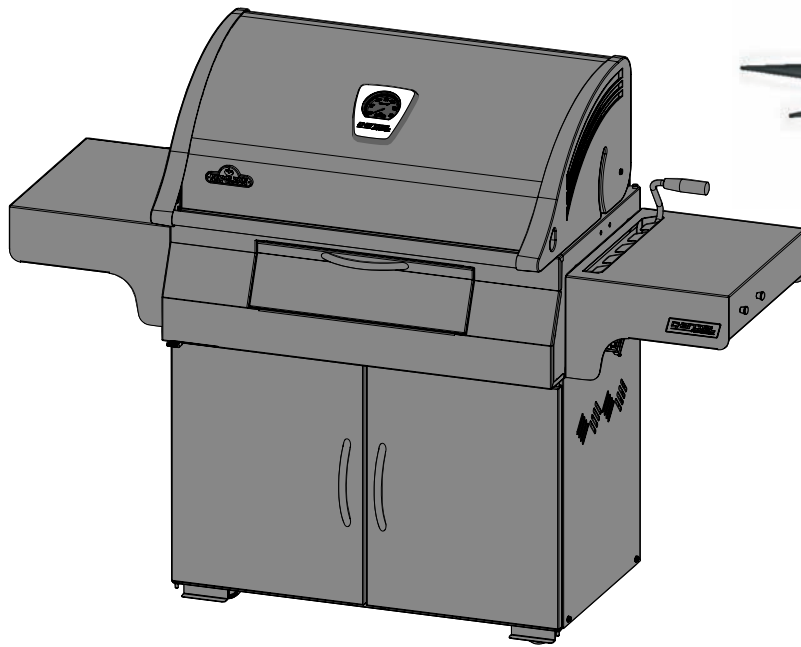
GRILL AU CHARBON DE BOIS POUR L'EXTÉRIEUR



LE GRIL DU GOURMET



FR



NE PAS JETER
PRO605CSS

⚠ AVERTISSEMENT
Ne tentez pas d'allumer cet appareil avant d'avoir lu les instructions d'allumage de ce manuel.

⚠ DANGER
La combustion du charbon de bois dégage du monoxyde de carbone. Ne faites pas brûler de charbon de bois dans une maison, un garage, une tente, un véhicule ou dans un endroit clos.

⚠ AVERTISSEMENT! Si ces instructions ne sont pas suivies à la lettre, un incendie pourrait s'ensuivre, causant des blessures graves ou la mort.

Napoleon Appliance Corp.,
214 Bayview Dr., Barrie, Ontario, Canada L4N 4Y8 Phone: 1-866-820-8686
Fax: (705)725-2564 email: wecare@napoleonproducts.com web site: www.napoleongrills.com

MERCI D'AVOIR CHOISI NAPOLÉON

Les produits NAPOLÉON sont conçus avec des composants et des matériaux de qualité supérieure, assemblés par des artisans qualifiés qui sont fiers de leur travail. Ce gril a été soigneusement inspecté par un technicien qualifié avant d'être emballé et expédié pour garantir que vous, le client, recevez le produit de qualité dont vous vous attendez de NAPOLÉON.

Chez Napoléon, notre priorité c'est vous, cher client. Notre objectif est de vous fournir les outils nécessaires pour rendre inoubliable cette expérience de cuisson sur le gril. Ce manuel vous est fourni pour vous aider lors de l'assemblage, l'installation et l'entretien de votre nouveau gril. Il est important de lire et de comprendre ce manuel en entier avant d'utiliser votre nouveau gril afin de vous assurer de bien comprendre toutes les consignes de sécurité et toutes les caractéristiques de votre gril. En suivant attentivement les instructions de ce manuel, vous profiterez de votre gril pendant de nombreuses années, et ce, sans tracas. Si nous ne répondons pas à vos attentes pour quelque raison que ce soit, veuillez contacter notre département du service aux consommateurs au 1-866-820-8686 entre 9 h et 17 h (heure normale de l'Est) ou visitez notre site Web.



GARANTIE À VIE LIMITÉE DU PRÉSIDENT DES GRILS NAPOLÉON

NAPOLÉON garantit votre nouveau gril contre tous défauts concernant les matériaux et la fabrication tant et aussi longtemps que vous êtes propriétaire du gril. Cette garantie couvre : la fonte d'aluminium (excluant la peinture), les roues, les boutons de contrôle, les appliqués pour couvercle en acier inoxydable et les poignées de couvercle, sous réserve des conditions suivantes. Pendant les cinq premières années, NAPOLÉON fournira gratuitement les pièces de rechange selon son choix. De la sixième année à vie, NAPOLÉON fournira les pièces de rechange à 50 % du prix de détail courant.

Les composants tels que les grilles de cuisson en fonte, les mécanismes de levage et les jauges de température sont couverts et NAPOLÉON fournira les pièces gratuitement durant les deux premières années de la garantie limitée.

Tous les autres composants tels que les roulettes, les grilles de réchaud, les pièces d'assemblage et les accessoires sont couverts et NAPOLÉON fournira les pièces gratuitement durant la première année de la garantie limitée.

NAPOLÉON n'assumera aucuns frais d'expédition, de main-d'oeuvre ou de taxes d'exportation.

CONDITIONS ET LIMITATIONS

« NAPOLÉON garantit ses produits contre les défauts de fabrication à l'acheteur d'origine seulement, à condition que l'achat ait été fait par l'entremise d'un détaillant autorisé NAPOLÉON et sous réserve des conditions et limitations suivantes. »

Cette garantie du fabricant n'est pas transférable et ne peut être prolongée ou étendue par aucun de nos représentants quelle qu'en soit la raison.

Le gril doit être installé par un installateur ou entrepreneur qualifié. L'installation doit être faite conformément aux instructions d'installation incluses avec le produit et à tous les codes d'incendie et de construction locaux et nationaux.

Cette garantie limitée ne couvre pas les dommages causés par un mauvais usage, un manque d'entretien, des feux de graisse, un environnement inadéquat, un accident, des altérations, des abus ou de la négligence, et l'installation de pièces d'autres fabricants annulera cette garantie.

Cette garantie limitée ne couvre pas non plus les égratignures, les bossellements, les surfaces peintes, la corrosion ou la décoloration causés par la chaleur ou les produits d'entretien chimiques et abrasifs, ni l'écaillage des pièces en porcelaine émaillée ni les composants utilisés dans l'installation du gril. Dans le cas d'une détérioration des composants causant un mauvais fonctionnement de l'appareil pendant la période couverte par la garantie, les pièces de rechange seront fournies par Napoléon.

Au cours de la première année seulement, cette garantie s'étend à la réparation ou au remplacement des pièces garanties dont les matériaux ou la fabrication sont défectueux sous condition que le produit ait été utilisé conformément aux instructions de fonctionnement et dans des conditions normales.

Après la première année, concernant cette Garantie à Vie Limitée du Président, NAPOLÉON peut, à sa discrétion, se libérer entièrement de toutes obligations concernant cette garantie en remboursant à l'acheteur d'origine le prix de gros de toute pièce garantie qui est défectueuse.

NAPOLÉON ne sera pas responsable de l'installation, de la main-d'oeuvre ou autres coûts ou dépenses relatives à la réinstallation d'une pièce garantie, et de telles dépenses ne sont pas couvertes par cette garantie.

Nonobstant toutes les dispositions contenues dans cette Garantie à Vie Limitée du Président, la responsabilité de NAPOLÉON sous cette garantie est définie comme ci-dessus et elle ne s'appliquera à aucun dommage accidentel, consécutif ou indirect.

Cette garantie définit les obligations et les responsabilités de NAPOLÉON concernant le gril NAPOLÉON; toutes autres garanties exprimées ou implicites concernant ce produit, ses composants ou accessoires sont exclues.

NAPOLÉON n'endosse ni n'autorise aucun tiers à assumer en son nom toute autre responsabilité concernant la vente de ce produit. NAPOLÉON ne sera pas responsable d'une surchauffe, de l'extinction du brûleur causée par des conditions environnementales telles que des vents forts ou une ventilation inadéquate.

Tous dommages causés au gril par les intempéries, la grêle, un usage abusif ou l'utilisation de produits chimiques ou de produits d'entretien nuisibles ne seront pas la responsabilité de NAPOLÉON.

La facture ou sa copie sera requise ainsi que le numéro de série et de modèle du gril lors d'une réclamation auprès de NAPOLÉON.

NAPOLÉON se réserve le droit de demander à son représentant d'inspecter tous produits ou pièces avant d'honorer toute réclamation.

NAPOLÉON n'assumera aucuns frais de transport, de main-d'oeuvre ou taxes d'exportation.



AVERTISSEMENT! Si ces instructions ne sont pas suivies, des dommages matériels, des blessures corporelles ou des pertes de vie pourraient s'ensuivre. Lisez et respectez tous les avertissements et les instructions de ce manuel avant de faire fonctionner le gril.

Pratiques Sécuritaires D'utilisation

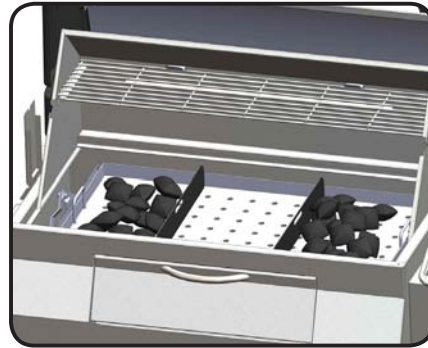
- Lisez le manuel d'instructions en entier avant d'utiliser le gril.
- Ce gril ne devra être modifié en aucun cas.
- Suivez attentivement les instructions d'allumage lorsque vous faites fonctionner le gril.
- N'allumez pas les charbons de bois avec le couvercle fermé.
- Ne vous penchez pas au-dessus du gril lors de l'allumage.
- Avant d'allumer le compartiment arrière (brûleur arrière), il doit être positionné sur les supports à l'intérieur de la hotte.
- N'employez pas d'essence, d'alcool ou d'autres liquides volatiles pour allumer les charbons de bois.
- Utilisez UNIQUEMENT de l'allume-briquettes liquid approuvé. Avant d'allumer les briquettes, assurez-vous de bien essuyer tout liquide qui s'est écoulé par la base du gril.
- N'ajoutez jamais d'allume-briquettes liquide sur des briquettes chaudes ou tièdes.
- Après utilisation et avant l'allumage, le contenant d'allume-briquettes liquide doit être refermé et entreposé à une distance sécuritaire du gril, au moins 25 pieds (7.6m).
- Tenez les enfants et les animaux éloignés du gril chaud. NE LAISSEZ PAS les enfants grimper dans le cabinet.
- Ne laissez pas le gril sans surveillance lorsqu'il est utilisé.
- Ne pas déplacer le gril pendant qu'il fonctionne ou qu'il est chaud.
- Ce gril ne doit pas être installé dans ou sur des véhicules récréatifs et/ou des bateaux.
- Ce gril doit être utilisé uniquement à l'extérieur, dans un endroit bien aéré et ne doit jamais être utilisé à l'intérieur d'un bâtiment, d'un garage, d'une veranda avec paramoustique, d'un gazebo ou tout autre endroit fermé.
- Respectez les dégagements recommandés aux matériaux combustibles 16'' (410mm) à l'arrière du gril et 7'' (180mm) sur les côtés). Ces mêmes dégagements sont aussi recommandés à proximité d'un recouvrement de vinyle ou d'une grande surface vitrée.
- En tout temps, gardez les ouvertures d'aération du cabinet libres et exemptes de débris.
- N'ajustez pas le bac à charbon de bois avec vos mains à l'intérieur du gril. En tout temps, garder les mains et les doigts éloignés des mécanismes de levage.
- Ne placez pas le gril sous une construction combustible non protégée.
- Ne pas utiliser ce gril sous une installation couverte comme une couverture, un abri d'auto, un auvent ou tout ouvrage en surplomb.
- N'installez pas le gril dans un endroit venteux. Les vents forts nuiront à la performance de cuisson de votre gril.
- Le couvercle doit être fermé lors de la période de préchauffage du gril.
- Le tiroir d'égouttement et à cendres doit être installé lors de l'utilisation du gril.
- Nettoyez régulièrement le tiroir d'égouttement et à cendres pour empêcher les accumulations qui pourraient causer des feux de graisse.
- N'utilisez pas les tablettes latérales pour entreposer des briquets, des allumettes ou autres matériaux inflammables.
- En tout temps, le gril doit être sur une surface de niveau.
- Pour éviter d'endommager le fini de votre gril, n'utilisez pas d'eau pour contrôler les poussées de flamme ou pour éteindre les briquettes.
- Pour contrôler les poussées de flammes, fermez un peu les portes d'alimentation en air du gril. Pour éteindre complètement les briquettes ou un feu, fermez entièrement toutes les portes d'alimentation en air et le couvercle.
- Utilisez des ustensiles de cuisson appropriés avec de longs manches résistant à la chaleur.
- Utilisez des gants pour le gril ou des sous-plats pour protéger vos mains lors de la cuisson ou du réglage des portes d'alimentation en air.
- N'enlevez pas les cendres du gril avant que les briquettes soient complètement brûlées et éteintes. Laissez-les refroidir suffisamment.
- Enlevez les briquettes et les cendres, entreposez-les dans un contenant en métal incombustible et laissez reposer 24 heures avant de les jeter.
- Tenez les cordons d'alimentation électriques loin de l'eau et des surfaces chaudes.
- Utilisez toujours ce gril en conformité avec les codes locaux.
- **Proposition 65 De La Californie** : La combustion charbon de bois crée des sous-produits, parmi lesquels certains se retrouvent sur la liste de substances connues par l'état de Californie comme causant le cancer ou autres dangers pour la reproduction. Lorsque vous cuisinez avec le charbon de bois, assurez-vous de toujours avoir une ventilation adéquate afin de minimiser l'exposition à ces substances.

Instruction D'allumage

CUISSON DIRECTE



CUISSON INDIRECTE



Utilisation des briquettes

Méthode de cuisson	Briquettes recommandées
Cuisson directe	100
Cuisson indirecte	50 par côté * (en ajouter 16 de chaque côté pour chaque heure de cuisson supplémentaire)

* Les recommandations relatives aux briquettes sont approximatives. Un temps de cuisson plus long requiert plus de briquettes. En outre, les températures plus froides et la présence de vent feront en sorte qu'il faudra plus de briquettes pour atteindre les températures de cuisson idéales.



AVERTISSEMENT! Ouvrez le couvercle.

AVERTISSEMENT! Installez le gril à l'extérieur sur une surface solide, à niveau et incombustible. N'utilisez jamais le gril sur une surface en bois ou toute autre surface combustible.

AVERTISSEMENT! Ne vous penchez pas au-dessus du gril lors de l'allumage.

AVERTISSEMENT! Le récipient à cendres doit être en place lors de l'allumage et en tout temps durant l'utilisation.

ALLUMAGE DU COMPARTIMENT PRINCIPAL MÉTHODE DE CUISSON DIRECTE	ALLUMAGE DU COMPARTIMENT PRINCIPAL MÉTHODE DE CUISSON INDIRECTE	ALLUMAGE DU COMPARTIMENT ARRIÈRE (BRÛLEUR ARRIÈRE)
1. Ouvrez complètement la porte d'alimentation en air sur la base. Ouvrez le couvercle du gril et enlevez les grilles de cuisson.	1. Ouvrez complètement la porte d'alimentation en air sur la base. Ouvrez le couvercle du gril et enlevez les grilles de cuisson.	1. Ouvrez complètement la porte d'alimentation en air sur la base.
2. Nettoyez le récipient à cendres ayant été utilisé précédemment puis réinstallez-le.	2. Nettoyez le récipient à cendres ayant été utilisé précédemment puis réinstallez-le.	2. Nettoyez le récipient à cendres ayant été utilisé précédemment puis réinstallez-le.
3. Utilisez la cheminée d'allumage Ultrachef (non comprise) en suivant les instructions fournies dans le manuel, ou placez des cubes d'allumage ou du papier journal légèrement chiffonné dans le bac à charbon de bois. Empilez les briquettes en forme de cône, dans le centre de l'unité, sur le journal ou sur les cubes d'allumage.	3. Placez un bac d'égouttement au centre du bac à charbon de bois. Insérez les séparateurs dans le bac à charbon de bois, de chaque côté du bac d'égouttement. Utilisez la cheminée d'allumage Ultrachef (non comprise) en suivant les instructions fournies dans le manuel, ou placez des cubes d'allumage ou du papier journal légèrement chiffonné dans la section externe des séparateurs. Placez les briquettes dans les sections externes, sur le journal ou sur les cubes d'allumage.	3. Placez des cubes d'allumage ou du papier journal légèrement chiffonné dans le panier à briquettes. Ne pas trop remplir. Retirez la grille de réchaud. Avant d'allumer, assurez-vous que le compartiment arrière est en place, accroché sur les supports du couvercle.
4. Allumez le papier journal ou les cubes d'allumage. Une fois les briquettes bien allumées, fermez le couvercle et laissez-les brûler jusqu'à ce qu'elles soient recouvertes d'une cendre légèrement grise (environ 20 minutes).	4. Allumez le papier journal ou les cubes d'allumage. Une fois les briquettes bien allumées, fermez le couvercle et laissez-les brûler jusqu'à ce qu'elles soient recouvertes d'une cendre légèrement grise (environ 20 minutes).	4. Allumez le papier journal ou les cubes d'allumage. Une fois les briquettes bien allumées, fermez le couvercle et laissez-les brûler jusqu'à ce qu'elles soient recouvertes d'une cendre légèrement grise (environ 20 minutes).
5. Avec des pinces à long manche résistantes à la chaleur, étalez les briquettes pour couvrir uniformément tout le bac à charbon de bois.		5. Avec des pinces à long manche résistantes à la chaleur, étalez les briquettes uniformément.



AVERTISSEMENT! Ne faites pas fonctionner le compartiment arrière lorsque le compartiment principal fonctionne.



De l'allume-feu liquide peut être utilisé pour allumer les briquettes, mais n'est pas recommandé. Cela peut être salissant et peut laisser un goût chimique sur les aliments s'il n'a pas complètement brûlé avant la cuisson. Une fois les briquettes allumées, n'y ajoutez jamais d'autre allume-feu liquide. Gardez le flacon à une distance d'au moins 25 pieds (7,6 m) du gril en marche.



Consignes de sécurité lors de l'utilisation de la cheminée d'allumage

AVERTISSEMENT!

- Pour utilisation à l'extérieur seulement.
- N'utilisez pas la cheminée d'allumage à moins qu'elle soit placée sur une grille à niveau et que le gril soit placé sur une surface solide, à niveau et incombustible.
- Ne placez pas la cheminée d'allumage sur une surface combustible à moins que celle-ci soit complètement refroidie.
- N'utilisez pas d'essence à briquet, d'essence ni de briquettes auto-allumantes dans la cheminée d'allumage.
- Utilisez uniquement la cheminée d'allumage pour allumer des briquettes pour les grils au charbon de bois.
- Portez toujours des gants protecteurs lorsque vous manipulez la cheminée d'allumage.
- En tout temps, gardez les enfants et les animaux éloignés de la cheminée d'allumage.
- N'utilisez pas la cheminée d'allumage lorsqu'il y a de grands vents.
- Ne laissez pas la cheminée d'allumage en marche sans surveillance.
- Ne vous penchez pas au-dessus de la cheminée d'allumage lors de l'allumage.
- N'utilisez jamais la cheminée d'allumage pour d'autres fins que celles prévues. N'utilisez pas la cheminée d'allumage pour cuire des aliments.
- Soyez extrêmement prudent lorsque vous versez les briquettes chaudes de la cheminée d'allumage.

CHEMINÉE D'ALLUMAGE



FR

Utilisation de la cheminée d'allumage

- Tournez la cheminée d'allumage à l'envers.
- Chiffonnez deux feuilles complètes de papier journal et placez-les dans le fond de la cheminée d'allumage.
- Replacez la cheminée d'allumage à l'endroit et placez-la au centre de la grille à charbon de bois.
- Ajoutez la quantité appropriée de briquettes sans trop remplir.
- Allumez une allumette et insérez-la dans l'un des événements situés dans le bas afin d'allumer le papier journal.
- Lorsque les briquettes sont recouvertes d'une légère couche de cendres grises, mettez des gants protecteurs et versez soigneusement les briquettes chaudes sur la grille à charbon de bois (méthode de cuisson directe) ou dans les paniers à briquettes (méthode indirecte).
- Une fois les briquettes chaudes placées sur la grille, étalez-les uniformément à l'aide de pinces à long manche résistantes à la chaleur.

Guide de Cuisson au Charbon de Bois

Le charbon de bois est la méthode traditionnelle de cuisson à l'infrarouge avec laquelle nous sommes le plus familier. Les briquettes incandescentes émettent de l'énergie infrarouge à l'aliment qui se fait cuire et ce, avec très peu d'assèchement. Les jus ou les huiles qui s'échappent des aliments tombent sur le charbon de bois et se vaporisent en fumée pour donner un délicieux goût grillé aux aliments. Le gril au charbon de bois de Napoléon® produit un rayonnement intense qui vous donnera des steaks, des viandes et des hamburgers plus juteux et plus savoureux. Pour connaître les temps de cuisson et certains conseils, consultez le tableau de cuisson.

Le tableau suivant n'est qu'à titre indicatif seulement. Les temps de cuisson sont influencés par des facteurs tels que l'altitude, la température extérieure, le vent et le degré de cuisson désiré. Pour saisir instantanément les aliments, le bac à charbon peut être installé à la position la plus élevée. Use a meat thermometer to ensure foods are adequately cooked.

Tableau de Cuisson au Charbon de Bois

ALIMENT	CUISSON DIRECTE OU INDIRECTE	TEMPS DE CUISSON	SUGGESTIONS
Bifteck 1" (2.54 cm) d'épaisseur	Cuisson directe	6 à 8 min. à Cuisson directe chaleur moyenne	Lorsque vous choisissez votre viande, demandez une viande qui est marbrée. Le gras de la viande agira comme un élément attendrissant durant la cuisson et gardera la viande plus juteuse.
Burger 1/2" (1.27 cm) d'épaisseur	Cuisson directe	6 à 8 min. à chaleur moyenne	Pour terminer la cuisson de vos burgers tous en même temps, nous vous conseillons de varier l'épaisseur de vos galettes. Pour ajouter une saveur exotique à votre viande, ajoutez des copeaux de bois à saveur de hickory aux briquettes.
Morceaux de poulet	Cuisson directe approx. 2 min. par côté, puis cuisson indirecte pour les 18 à 20 min. restantes.	20 à 25 min.	L'articulation qui retient le pilon à la cuisse doit être coupée au 3/4 à partir du côté sans peau afin de permettre à la viande d'être plus à plat sur la grille de cuisson. Ceci permettra à la viande de cuire de façon plus uniforme et plus rapidement. Pour ajouter une touche personnelle à votre poulet, ajoutez des copeaux de bois à saveur de mesquite aux briquettes.
Côtelettes de porc	Cuisson directe	10 à 15 min.	Coupez l'excès de gras avant de faire cuire. Choisissez des côtelettes de porc plus épaisses pour obtenir une viande plus tendre.
Côtes levées	Cuisson directe pendant 5 min., cuisson indirecte pour terminer	1,5 à 2 heures, en tournant souvent	Choisissez des côtes bien charnues et maigres. Grillez jusqu'à ce que la viande se détache facilement des os.
Côtelettes d'agneau	Cuisson directe	25 à 30 min.	Coupez l'excès de gras avant de faire cuire. Choisissez des côtelettes très épaisses pour obtenir une viande plus tendre.
Saucisses	Cuisson directe	4 à 6 min.	Choisissez des saucisses plus grosses. Faites une entaille dans la peau, sur la longueur de la saucisse avant de faire griller.

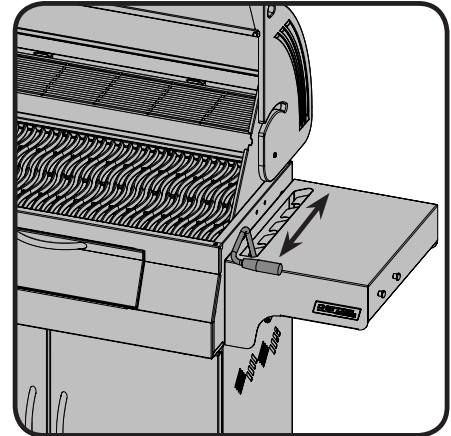
Instructions D'opération

Éclairage initial: Lorsqu'il est allumé pour la première fois, le grill dégagera une légère odeur. Ceci est un phénomène normal et temporaire causé par l'évaporation des peintures et lubrifiants internes utilisés dans le processus de fabrication et ne se reproduira plus. Il suffit de faire fonctionner le grill à température élevée pendant environ 30 minutes avec les portes d'alimentation en air de la base et du couvercle complètement ouvertes.



AVERTISSEMENT! N'ajustez pas le bac à charbon de bois avec vos mains à l'intérieur du grill. En tout temps, garder les mains et les doigts éloignés des mécanismes de levage.

Utilisation du compartiment principal: Le bac à charbon de bois peut être ajusté selon six réglages. Pour un rendement optimal, nous vous conseillons de le fixer à la position la plus élevée, soit le plus près possible des grilles de cuisson. Les températures peuvent être réduites en abaissant le bac pour l'éloigner des aliments et en fermant les portes d'alimentation en air. Le préchauffage du grill est recommandé en le faisant fonctionner une vingtaine de minutes, le couvercle fermé. Les charbons de bois sont prêts lorsqu'ils sont légèrement couverts de cendre grise. Les aliments qui cuisent rapidement (poisson, légumes) peuvent être grillés avec le couvercle ouvert. La cuisson avec le couvercle fermé assurera des températures plus élevées et plus égales. Ceci réduira le temps de cuisson et les aliments seront cuits plus uniformément. Pour que les viands très maigres, comme de la poitrine de poulet ou du porc maigre, collent moins lors de la cuisson, vous pouvez huiler les grilles avant de préchauffer le grill. La cuisson de viandes très grasses peut causer des poussées de flamme. Pour les éviter, enlevez une partie du gras ou réduisez la température. Si une poussée de flamme survient, éloignez les aliments des flammes, réduisez la chaleur (en réduisant l'ouverture des portes d'alimentation en air). Laissez le couvercle ouvert. Règle générale, la cuisson de quatre livre de viande requiert approximativement une centaine de briquettes. Si la cuisson exige plus de 30 à 40 minutes, vous devrez ajouter d'autres briquettes. Lorsque le temps est venteux ou froid, vous devrez utiliser davantage de briquettes pour atteindre une température de cuisson idéale.

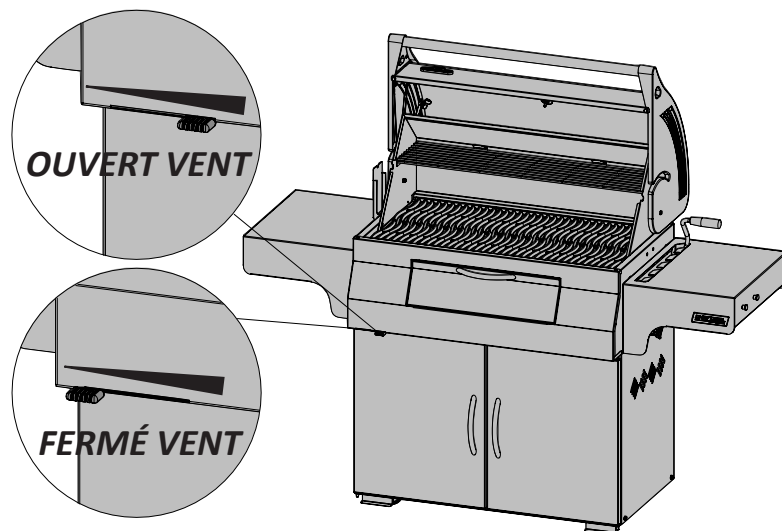


Ajout De Briquettes En Cours De Cuisson: Soyez prudent, car les briquettes peuvent s'embraser au contact de l'air. Ouvrez avec précaution la porte située sur le devant de la base. Pour ajouter d'autres briquettes, tenez-vous à une distance sécuritaire du grill et utilisez une pince à longs manches résistant à la chaleur.



AVERTISSEMENT! N'ajoutez jamais d'allume-briquettes liquide sur des briquettes chaudes ou tièdes. Nul besoin d'ajouter de l'allume-briquettes liquide sur des charbons de bois déjà allumés.

Fonctionnement des portes d'alimentation en air : Les portes d'alimentation en air sur le couvercle doivent habituellement être ouvertes pour laisser l'air pénétrer dans le grill. L'air accroîtra la température de combustion des briquettes. Vous pouvez contrôler la température du grill en ajustant les portes d'alimentation en air. Pour ce faire, glissez les portes vers la droite ou la gauche. Fermer les portes, partiellement ou complètement, aidera à faire refroidir les briquettes. Ne fermez pas complètement les portes d'alimentation en air sur la base et le couvercle, à moins de vouloir refroidir les briquettes ou d'éteindre une flamme.



Utilisation Du Compartiment Arrière (Brûleur Arrière): Enlevez la grille de réchaud avant l'utilisation. Les grilles de cuisson doivent aussi être enlevées si elles nuisent à la rôtissoire. Avant l'allumage, assurez-vous que le compartiment arrière est installé sur les supports situés à l'intérieur de la hotte. Le brûleur arrière est conçu pour être utilisé conjointement avec la rôtissoire offerte chez votre détaillant. Consultez les instructions d'assemblage de la rôtissoire. Pour utiliser le contrepoids, retirez le moteur de la rôtissoire du gril. Insérez la broche sur laquelle vous avez disposé la viande à cuire sur les crochets à l'intérieur du gril. Naturellement, le côté le plus lourd pendra. Serrez la tige du contrepoids et le poids, de façon à ce que la tige soit à la verticale. Ajustez le contrepoids en le glissant vers le haut ou le bas pour équilibrer la charge, puis serrez en place. Réinstallez le moteur et commencez la cuisson. Placez un récipient sous la viande pour recueillir les jus. Ceux-ci serviront à badigeonner et à faire une délicieuse sauce. Si désiré, vous pouvez ajouter un liquide à badigeonner. Pour de meilleurs résultats, gardez le couvercle fermé. Vos rôtis et volailles seront grillés à la perfection à l'extérieur et leur chair sera tendre et juteuse. Par exemple, la cuisson d'un poulet de 3 livres avec la rôtissoire exigera environ 1 ½ heure à une chaleur moyenne à élevée. Pour ajouter d'autres briquettes, tenez-vous à une distance sécuritaire du gril et utilisez une pince à longs manches résistant à la chaleur.



AVERTISSEMENT! Installez le compartiment arrière uniquement lorsque vous désirez l'utiliser.



AVERTISSEMENT! N'ajoutez jamais d'allume-briquettes liquide sur des briquettes chaudes ou tièdes. Nul besoin d'ajouter de l'allume-briquettes liquide sur des briquettes déjà allumées.

Consignes De Sécurité Après L'utilisation



AVERTISSEMENT! Soyez prudent afin de vous protéger et d'éviter d'endommager la propriété.

- Fermez le couvercle et toutes les portes d'alimentation en air pour éteindre le feu.
- Laissez refroidir complètement le gril avant de le manipuler.
- Ne laissez pas sans surveillance un gril qui contient des charbons ou des cendres. Assurez-vous qu'ils sont complètement éteints avant de les enlever.
- Enlevez les charbons restants et la cendre du gril. Placez les charbons restants et la cendre dans un contenant métallique incombustible, puis saturez le tout avec de l'eau. Attendez 24 heures avant de disposer du contenu.

Instructions D'entretien et de Nettoyage

Nous vous recommandons de vider le tiroir d'égouttement et à cendres après chaque utilisation.



AVERTISSEMENT! Assurez vous que le grill est refroidi et que tous les charbons sont complètement éteints avant d'enlever tout composant du grill.

AVERTISSEMENT! Portez toujours des gants protecteurs et des lunettes de sécurité lorsque vous nettoyez votre grill.

AVERTISSEMENT! N'utilisez pas de laveuse à pression pour nettoyer les composants du grill.

AVERTISSEMENT! L'entretien devrait être effectué seulement lorsque le grill est froid pour éviter toutes possibilités de brûlure. Évitez tout contact avec les surfaces chaudes. Nettoyez votre grill dans un endroit où les produits de nettoyage n'endommageront pas votre patio, pelouse ou terrasse. N'utilisez pas de produit à nettoyer les fours pour nettoyer votre grill au charbon de bois. N'utilisez pas un four autonettoyant pour nettoyer les grilles de cuisson ou tout autre composant de votre grill au charbon de bois. La sauce BBQ et le sel sont corrosifs et causeront une détérioration rapide de votre grill au charbon de bois à moins de le nettoyer régulièrement.

Les Grilles De Cuisson Et La Grille-Réchaud: Les grilles de cuisson et la grille-réchaud sont plus faciles à nettoyer durant la période de préchauffage en utilisant une brosse en laiton.

Nettoyage De L'intérieur Du Grill: Enlevez les grilles de cuisson. Utilisez une brosse en laiton pour enlever les débris non incrustés sur les côtés de la cuve et à l'intérieur du couvercle. Grattez l'intérieur de la cuve avec un couteau à mastic ou un grattoir, puis utilisez une brosse en laiton pour enlever les dépôts de carbone. Nettoyez l'intérieur du grill avec une brosse en faisant tomber les débris dans le tiroir d'égouttement et à cendres amovible. Si désiré, vous pouvez nettoyer l'intérieur du grill avec un savon doux et de l'eau. Rincez à fond avec de l'eau claire et essuyez.



AVERTISSEMENT! L'accumulation de graisse peut présenter un risque de feu. Il devrait être nettoyé après chaque utilisation afin d'éviter une accumulation de graisse.

Tiroir D'égouttement Et À Cendres: Sortez le tiroir d'égouttement pour en faciliter le nettoyage. Les cendres, la graisse et les jus de cuisson tombent dans le tiroir d'égouttement situé sous le grill et créent une accumulation. Le tiroir d'égouttement devrait être gratté à l'aide d'un couteau à mastic ou d'un grattoir en jetant les débris dans un contenant métallique incombustible. Nettoyez le tiroir d'égouttement et à cendres avec un détergent doux et de l'eau. Rincez à fond avec de l'eau claire et essuyez.

Nettoyage De L'extérieur Du Grill: N'utilisez pas de produits abrasifs pour nettoyer les pièces peintes, de fini porcelaine ou en acier inoxydable. Les éléments en porcelaine émaillée doivent être manipulés avec soin. Le fini émaillée étant cuit il devient comme du verre; il s'ébrêchera au moindre choc. Vous pouvez vous procurer de la peinture émaillée pour les retouches chez votre détaillant NAPOLEON. Utilisez une solution d'eau savonneuse chaude pour nettoyer l'extérieur du grill pendant qu'il est encore tiède au toucher. Pour nettoyer les surfaces en acier inoxydable utilisez un produit de nettoyage à acier inoxydable ou un produit de nettoyage tout usage sans abrasif. Frottez toujours dans le sens du grain. N'utilisez pas de laine d'acier car elle égratignerait le fini. Les pièces en acier inoxydable vont décolorer sous l'effet de la chaleur pour habituellement prendre une couleur dorée ou brune. Cette décoloration est normale et n'affectera pas la performance du grill.

Guide De Dépannage

FR

Problème	Causes possibles	Solution
Faible chaleur / petite flamme.	<p>Mauvais préchauffage.</p> <p>Circulation d'air insuffisante.</p> <p>Quantité de briquettes insuffisantes.</p> <p>Bac à charbon mal positionné.</p>	<p>Laissez brûler les briquettes jusqu'à ce qu'elles soient légèrement couvertes de cendre grise.</p> <p>Ouvrez les portes d'alimentation en air.</p> <p>Ajoutez des briquettes dans le bac à charbon de bois.</p> <p>Relevez-le à la position la plus élevée.</p>
Poussées de flamme excessives / chaleur inégale.	<p>Mauvais préchauffage.</p> <p>Accumulation excessive de graisse et de cendre dans le tiroir d'égouttement et à cendres.</p> <p>Bac à charbons mal positionné.</p>	<p>Préchauffez le grill, le couvercle fermé, pendant 20 à 25 minutes.</p> <p>Nettoyez le tiroir régulièrement. Ne tapissez pas le tiroir de papier d'aluminium. Consultez les instructions de nettoyage.</p> <p>Abaissez-le à la position la plus basse.</p>
La peinture semble peler à l'intérieur du couvercle ou de la hotte.	<p>Accumulation de graisse sur les surfaces intérieures.</p>	<p>Ceci n'est pas un défaut. Le fini du couvercle et de la hotte est en acier inoxydable et ne pèlera pas. Le pelage est causé par la graisse qui durcit et sèche comme des éclats de peinture qui pèlent. Un nettoyage régulier préviendra ce problème. Consultez les instructions de nettoyage.</p>

Aperçu de la cuisson au charbon de bois

Allumage de votre gril

- Avant de procéder à la première cuisson, nous vous recommandons de faire fonctionner votre gril à température élevée pendant 30 minutes en gardant les portes d'alimentation en air de la base complètement ouvertes. Les lubrifiants utilisés dans le processus de fabrication seront ainsi évaporés.
- Ouvrez complètement les portes d'alimentation en air sur la base à chaque fois que vous allumez votre gril.
- Nettoyez le récipient à cendres ayant été utilisé précédemment puis réinstallez-le.
- Utilisez la cheminée d'allumage Ultrachef (non comprise) en suivant les instructions fournies dans le manuel. Empilez les briquettes en forme de cône, au centre de l'unité (méthode de cuisson directe) ou dans les paniers à briquettes optionnels (méthode indirecte).
- Une fois les briquettes bien allumées, fermez le couvercle et laissez les briquettes brûler jusqu'à ce qu'elles soient recouvertes d'une cendre légèrement grise (environ 20 minutes). Répartissez les briquettes à l'aide de pinces à long manche résistantes à la chaleur selon la méthode de cuisson que vous prévoyez utiliser.
- De l'allume-feu liquide peut être utilisé pour allumer les briquettes, mais n'est pas recommandé. Cela peut être salissant et peut laisser un goût chimique sur les aliments s'il n'a pas complètement brûlé avant la cuisson. Une fois les briquettes allumées, n'y ajoutez jamais d'autre allume-feu liquide. Gardez le flacon à une distance d'au moins 25 pieds (7,6 m) du gril en marche.
- Des arômes de fumée supplémentaires peuvent être obtenus en ajoutant des copeaux de bois variés offerts chez votre détaillant Napoléon.

Cuisson sur votre gril

- Nous vous recommandons de préchauffer le gril en le faisant fonctionner avec le couvercle fermé pendant environ 20 minutes. Les briquettes sont prêtes quand elles sont recouvertes d'une légère couche de cendre grise.
- En règle générale, prévoyez utiliser environ 100 briquettes pour cuire 4 lb (2 kg) de viande. Si la cuisson dure plus de 30 ou 40 minutes, vous devrez ajouter des briquettes supplémentaires. Si le temps est froid ou venteux, vous aurez besoin de plus de briquettes afin d'atteindre les températures de cuisson idéales.
- Soyez prudent lorsque vous ajoutez des briquettes dans le gril. Les flammes peuvent monter lorsque les charbons sont en contact avec l'air frais. Tenez-vous à une distance sécuritaire et utilisez une pince de cuisine à long manche résistante à la chaleur lors de l'ajout de briquettes.
- Les portes d'alimentation en air sur le couvercle doivent habituellement être ouvertes pour laisser l'air pénétrer dans le gril. L'air accroîtra la température de combustion des briquettes. Vous pouvez contrôler la température du gril en ajustant les portes d'alimentation en air. Pour ce faire, glissez les portes vers la droite ou la gauche.
- Faites cuire la nourriture en gardant le couvercle fermé. Chaque fois que le couvercle est levé, la température baisse. Cela entraîne des températures plus basses et des temps de cuisson plus longs.
- Fermer les portes d'alimentation en air, partiellement ou complètement, aidera à faire refroidir les briquettes. Ne fermez pas complètement les portes d'alimentation en air sur la base, à moins de vouloir refroidir les briquettes ou d'éteindre une flamme.
- La grille de cuisson peut être huilée avant le préchauffage afin d'éviter que les aliments collent.
- Utilisez un thermomètre à viande pour vous assurer que les aliments sont cuits adéquatement.

Nettoyage du gril

- Fermez le couvercle du gril et toutes les portes d'alimentation en air afin d'éteindre le feu.
- Laissez toujours refroidir complètement le gril avant de le manipuler.
- Ne laissez jamais les briquettes ni les cendres dans le gril sans surveillance. Assurez-vous que les briquettes et les cendres sont complètement éteintes avant de les enlever.
- Utilisez une spatule métallique ou une cuillère pour retirer les cendres et les charbons du gril. Placez-les dans un récipient en métal incombustible et imbitez-les dans l'eau. Laissez-les dans le récipient pendant 24 heures avant de les jeter.
- Utilisez une brosse en laiton pour enlever les débris de la cuve et à l'intérieur du couvercle.
- Lavez l'intérieur du gril avec un détergent doux et de l'eau. Rincez à l'eau claire et essuyez.
- Les composants en porcelaine émaillée doivent être manipulés avec soin. Le fini émaillé est semblable à du verre et peut s'ébrécher facilement. De la peinture-émail pour retouches est disponible chez votre détaillant Napoléon.

GARDEZ VOTRE REÇU COMME PREUVE D'ACHAT POUR VALIDER VOTRE Commande De Pièces De Rechange

Information Sur La Garantie

FR

MODÈLE: _____

DATE D'ACHAT: _____

NUMÉRO DE SÉRIE: _____

(Inscrivez l'information ici pour y avoir accès facilement.)

Avant de contacter le département du service aux consommateurs, consultez le site Web de NAC pour obtenir plus d'instructions sur le nettoyage, l'entretien, le dépannage et le remplacement des pièces à www.napoleongrills.com. Contactez le fabricant directement pour obtenir des pièces de rechange et faire des réclamations au titre de la garantie. Le département du service aux consommateurs est à votre disposition entre 9 h et 17 h (heure normale de l'Est) au 1-866-820-8686 ou par télécopieur au 705-727-4282. Pour qu'une réclamation soit traitée, l'information suivante est nécessaire :

1. Modèle et numéro de série de l'appareil.
2. Numéro de la pièce et description.
3. Description concise du problème (« brisé » n'est pas suffisant).
4. Preuve d'achat (copie de la facture).

Dans certains cas, le département du service aux consommateurs peut demander de retourner la pièce pour des fins d'inspection avant de fournir une pièce de rechange. Les pièces doivent être expédiées port payé à l'attention du département du service aux consommateurs avec l'information suivante :

1. Modèle et numéro de série de l'appareil.
2. Description concise du problème (« brisé » n'est pas suffisant).
3. Preuve d'achat (copie de la facture).
4. Numéro d'autorisation de retour - fourni par le représentant du département du service aux consommateurs.

Avant de contacter le service aux consommateurs, veuillez prendre note que les items suivants ne sont pas couverts par la garantie :

- coûts de transport, de courtage et frais d'exportation;
- coûts de main-d'oeuvre pour l'enlèvement et l'installation de la pièce;
- coûts des appels de service pour diagnostiquer le problème;
- décoloration des pièces en acier inoxydable;
- bris des pièces causé par un manque d'entretien et de nettoyage, ou par l'utilisation de nettoyeurs inappropriés (nettoyant à fourneau).



TÉLÉCOPIEZ AU: 705 727 4282

FR

BON DE COMMANDE POUR PIÈCES/ACCESSOIRES

NOM DU CLIENT _____

ADRESSE: _____

TÉLÉPHONE : _____ FAX : _____

EMAIL: _____

VISA OU MASTERCARD : _____ DATE D'EXPIRATION : _____

SIGNATURE: _____

QUANTITÉ	NUMÉRO DE PRODUIT	DESCRIPTION

LES TAXES PEUVENT S'APPLIQUER
LES FRAIS D'EXPEDITION SUPPLÉMENTAIRE

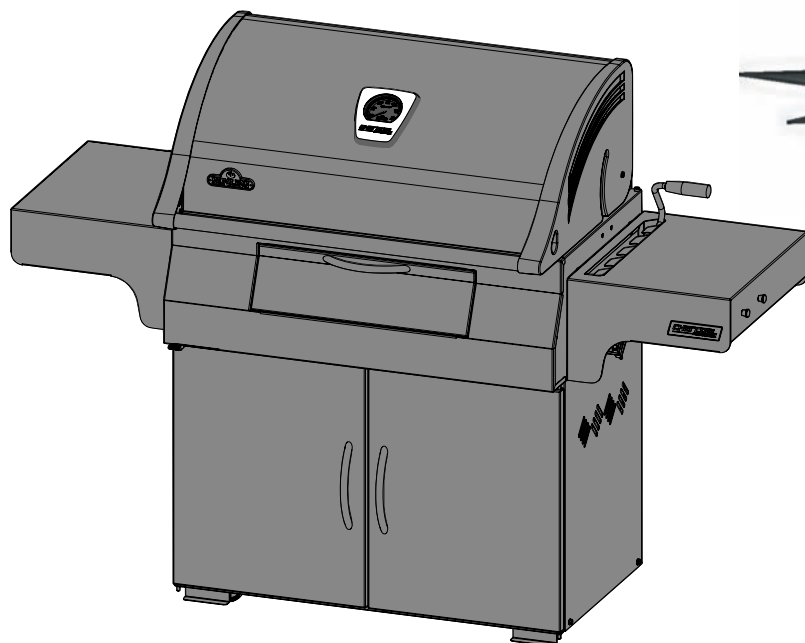
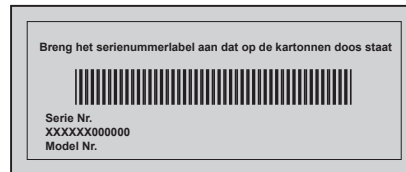
SI VOUS DÉSIREZ RECEVOIR UNE CONFIRMATION, VEUILLEZ INCLURE UN NUMÉRO DE
TÉLÉCOPIEUR OU UNE ADRESSE COURRIEL

FR

HANDLEIDING VOOR MONTAGE GEBRUIK EN ONDERHOUD

DEZE GRILL MOET ALLEEN BUITENSHUIS GEBRUIKT WORDEN IN EEN GOED GEVENTILEERDE RUIMTE
BEWAAR DEZE HANDLEIDING VOOR LATER

HOUTSKOOL GRILL VOOR BUITENSHUIS



PRO605CSS



WAARSCHUWING

Probeer dit apparaat niet aan te steken zonder de "AANSTEKEN" sectie van deze handleiding te lezen.



GEVAAR

Brandende houtskool geeft koolmonoxide af. Branden niet houtskool in woningen, garages, tenten, voertuigen, alle gesloten ruimten.



WAARSCHUWING! Verzuiming van het nauwkeurig volgen van deze instructies kan resulteren in vuur dat letsel of dood kan veroorzaken.

Napoleon Appliance Corp.,
214 Bayview Dr, Barrie, Ontario, Canada L4N 4Y8 Phone: 1-866-820-8686
Fax: (705)725-2564 email: wecare@napoleonproducts.com web site: www.napoleongrills.com

BEDANKT VOOR HET KIEZEN VAN NAPOLEON

NAPOLEON producten zijn ontworpen met superieure onderdelen en materialen en zijn gemonteerd door goed opgeleide vaklieden die trots op hun werk zijn. Deze grill is grondig geïnspecteerd door een gekwalificeerde technicus voor het verpakken en verzenden, om ervoor te zorgen dat u, de klant, een kwaliteitsproduct ontvangt dat u verwacht van Napoleon.

Wij bij Napoleon zijn gewijd aan u, "onze gewaardeerde klant". Het is ons doel om u te voorzien van het nodige gereedschap voor een onvergetelijke grill ervaring. Deze handleiding is bijgesloten om u te helpen te verzekeren dat uw nieuwe grill juist gemonteerd, geïnstalleerd, onderhouden en verzorgd wordt. Het is belangrijk om deze hele handleiding te lezen en te begrijpen voordat u uw nieuwe grill gaat gebruiken en om ervoor te zorgen dat u volledig op de hoogte bent van alle veiligheidsvoorschriften en mogelijkheden van uw grill. Door het zorgvuldig opvolgen van deze instructies, zult u genieten van jaren probleemloos grillen. Als dit product niet aan uw verwachtingen voldoet, om welke reden dan ook, bel onze klantenservice afdeling op 1-866-820-8686 tussen 9 uur en 5 uur (GMT-5) of bezoek onze website op www.napoleongrills.com.

NL



BEPERKTE LEVENSLANGE GARANTIE VAN PRESIDENT VOOR DE NAPOLEON GRILL

NAPOLEON garandeert de volgende materialen en de afwerking van uw nieuwe NAPOLEON grill tegen defecten zolang u de grill bezit. Dit heeft betrekking op aluminium gietstukken (exclusief verf), roestvrij stalen en porselein geëmailleerde basis, wielen, knoppen, porselein geëmailleerde deksels en inzetstukken van het roestvrij staaldeksel, en dekselhandvaten, onder voorbehoud van de volgende voorwaarden: Gedurende de eerste vijf jaar zal NAPOLEON vervangingsonderdelen naar eigen inzicht kosteloos verstrekken. Vanaf het zesde jaar tot aan het eind van de levensduur zal NAPOLEON vervangingsonderdelen verstrekken voor 50% van de huidige verkoopprijs. Componenten zoals gietijzeren kookroosters, het hefmechanisme en temperatuurmeters worden gedekt en NAPOLEON zal de onderdelen kosteloos verstrekken gedurende de eerste twee jaar van de beperkte garantie.

Alle andere componenten met inbegrip van de zwenkwielen, warmhoudroosters, bevestigingsmiddelen en accessoires zijn gedekt en NAPOLEON zal deze onderdelen kosteloos verstrekken gedurende het eerste jaar van de beperkte garantie.

NAPOLEON zal niet aansprakelijk zijn voor transportkosten, loonkosten, of uitvoerrechten.

VOORWAARDEN EN BEPERKINGEN

"Napoleon garandeert haar producten tegen fabricagefouten aan de oorspronkelijke koper, op voorwaarde dat de aankoop is gedaan bij een geautoriseerde NAPOLEON dealer en is onderworpen aan de volgende voorwaarden en beperkingen:"

Deze fabrieksgarantie is niet overdraagbaar en mag niet op enige manier worden verlengd door een van onze vertegenwoordigers.

De grill moet worden geïnstalleerd door een erkende, geautoriseerde reparateur of aannemer. Installatie dient te gebeuren in overeenstemming met de installatie-instructies die bij het product bijgesloten zijn en voldoen aan alle lokale en nationale bouwen brandvoorschriften.

Deze beperkte garantie dekt geen schade veroorzaakt door verkeerd gebruik, gebrek aan onderhoud, vetbranden, vijandige omgevingen, ongeval, modificaties, misbruik of verwaarlozing en onderdelen van andere fabrikanten die geïnstalleerd zijn zal deze garantie teniet te doen.

Deze beperkte garantie geeft verder geen dekking voor eventuele krassen, deuken, geschilderde afwerkingen, corrosie of verkleuring door warmte, schuur- en chemische reinigingsmiddelen, noch afladderingen op geëmailleerde onderdelen, noch enige onderdelen die worden gebruikt bij de installatie van de grill.

Als verval van de onderdelen van die mate is dat de prestatie negatief beïnvloed wordt en binnen de looptijd van garantie, zal een vervangend onderdeel worden verstrekt.

Alleen in het eerste jaar, omvat deze garantie de vervanging van de toezegging van onderdelen, die beschadigd aangaande materiaal of vakmanschap, op voorwaarde dat het product is gebruikt in overeenstemming met de bedieningsinstructies en onder normale omstandigheden.

Na het eerste jaar, met betrekking tot deze President Limited Lifetime Warranty kan NAPOLEON, naar eigen goeddunken, zich kwijten van alle verplichtingen met betrekking tot deze garantie door de oorspronkelijk koper de volle prijs terug te betalen van een gedeeltelijk, maar defecte onderdeel of onderdelen.

NAPOLEON is niet verantwoordelijk voor de installatie, arbeid of andere kosten of uitgaven in verband met de herinstallatie van een gedeeltelijk onderdeel, en zulke kosten worden niet gedekt door deze garantie.

Niettegenstaande enige voorwaarde die als verantwoordelijkheid wordt genoemd in deze President Limited Lifetime Warranty Napoleon, zal onder deze garantie worden gedefinieerd zoals hierboven en het zal in ieder geval zich niet uit te breiden tot enige incidentele- gevolg -of indirecte schade.

Deze garantie beschrijft de verplichting en aansprakelijkheid van Napoleon met betrekking tot de Napoleon grill en alle andere expliciete of impliciete garanties met betrekking tot dit product, de onderdelen of accessoires zijn niet inbegrepen.

NAPOLEON veronderstelt niet, noch machtigt een derde partij niet, namens haar, alle andere verplichtingen op zich te nemen met betrekking tot de verkoop van dit product.

NAPOLEON zal niet verantwoordelijk zijn voor: te hoge vlammen en het uitgaan van de grill door natuurlijk omstandigheden zoals sterke wind of niet voldoende ventilatie.

Eventuele schade aan de grill te wijten aan het weer, hagel, ruwe hantering, schadelijke chemicaliën of reinigingsmiddelen is niet de verantwoordelijkheid van Napoleon.

De verkoopbon of een kopie ervan in combinatie met een serienummer en een modelnummer zullen vereist zijn bij het maken van iedere aanspraak op een garantie claim van Napoleon.

NAPOLEON behoudt zich het recht om een vertegenwoordiger elk product of onderdeel te laten inspecteren voor het honoreren van eventuele garantie claims.

NAPOLEON zal niet aansprakelijk worden gesteld voor eventuele transportkosten, loonkosten of uitvoerrechten.



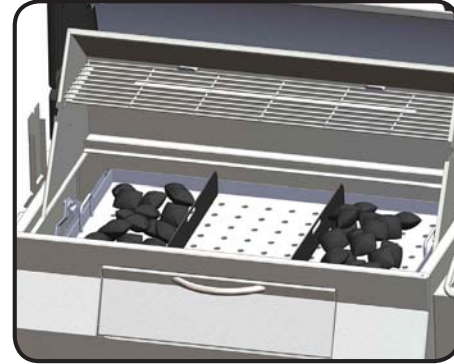
WAARSCHUWING! Indien deze aanwijzingen niet precies worden opgevolgd, kan dat brand- of explosiegevaar meebrengen en materiële schade, persoonlijk letsel of de dood veroorzaken.

Veiligheidsvoorschriften

- Lees de volledige handleiding alvorens de gasgrill in gebruik te nemen.
- In geen geval mag er iets worden gewijzigd aan de constructie van deze gasgrill.
- Volg de aansteekinstructies zorgvuldig wanneer u de grill gebruikt.
- Steek de houtskool niet aan wanneer de deksel gesloten is.
- Leun niet over de grill bij het aansteken.
- Voor het aansteken van de achterkamer (brander) moet het gepositioneerd zijn op de steunen aan de binnenkant van de kap.
- Gebruik geen benzine, alcohol, of andere zeer vluchtige vloeistoffen om houtskool aan te steken. Gebruik ALLEEN aansteekvloeistof dat goedgekeurd is voor het aansteken van houtskool. Zorg ervoor dat alle vloeistoffen die zich op de bodem van de grill bevinden vóór het aansteken van de houtskool zijn verwijderd.
- De aansteekvloeistof voor de houtskool mag nooit aan hete of zelfs warm steenkool worden toegevoegd.
- Na gebruik en vóór het aansteken, moet de dop op de aansteekvloeistof voor de houtskool worden gedaan en opgeslagen worden op een veilige afstand vanaf de grill, tenminste 7.6 meter.
- Houd kinderen en de huisdieren weg van de hete grill, laat kinderen NIET in de kast klimmen.
- Laat de grill niet onbeheerd achter wanneer deze in gebruik is.
- Beweeg de grill niet wanneer deze heet of in gebruik is.
- Deze grill mag niet aan of op recreatieve voertuigen en/of boten worden geïnstalleerd.
- Deze gasgrill mag alleen in de openlucht in een goed-geventileerde ruimte worden opgeslagen en mag niet in een gebouw, garage, afgeschermd veranda, gazebo of een ander ingesloten gebied worden gebruikt.
- Zorg voor voldoende afstand van brandbare materialen: 410 mm. van de achterkant en 180 mm. van de zijanten van de grill. Deze afstand wordt ook geadviseerd bij gebruik nabij dekplaten van vinyl of glazen ruiten.
- Houd de ventilatieopeningen van de behuizing altijd vrij en schoon.
- Houdt handen weg van de binnenkant de grill tijdens het verstellen van het houtskoolblad. Houdt handen en vingers ten all tijden weg van het hefmechanisme.
- Gebruik deze eenheid niet onder een brandbare bedekking.
- Gebruik deze grill niet onder overkappingen zoals dakbedekkingen, carports, luifels of afdaken.
- Gebruik niet in winderige omstandigheden. Sterke wind heeft een negatieve invloed op de kookprestaties van de gasgrill.
- Het deksel moet worden gesloten tijdens de periode van voorverwarming.
- De opvangbak voor as/vet moet juist geïnstalleerd zijn wanneer de grill in gebruik is.
- Maak de opvangbak voor as/vet regelmatig schoon om vetopbouw te vermijden, wat tot vetbranden kan leiden.
- Gebruik de zijplanken niet voor de opslag van aanstekers, lucifers of een andere ontvlambare materialen.
- De grill moet altijd vlak op de grond staan.
- Gebruik geen water om opflakkingen te controleren of om steenkool te doven, aangezien dit de afwerking van uw grill kan beschadigen.
- Om opflakkingen te controleren, sluit de openingen van uw grill iets. Om de steenkool/brand volledig te doven, sluit alle openingen en de deksel volledig.
- Gebruik het juiste grill-gereedschap met lange, hittebestendige handvaten.
- Gebruik barbecue-handschoenen of iets dergelijks om de handen te beschermen tijdens het koken of het aanpassen van de ventilatieopeningen.
- Verwijder geen as van de grill totdat alle houtskool volledig uitgebrand en volledig gedoofd is. Laat het voor geruime tijd afkoelen.
- Achterblijvende steenkool en as kunnen uit grill worden verwijderd en in een onbrandbare metalen container worden opgeslagen. Laat het voor 24 uur in de metalen container alvorens deze te legen.
- Houd elektrische snoeren weg van water of verwarmde oppervlakten.
- Gebruik altijd deze grill in overeenkomst met lokale voorschriften.
- **Voorschrift 65 van Californië:** Het branden van houtskool leidt tot bijproducten, waarvan sommige op de lijst door de Staat van Californië als substanties bekend zijn die kankerverwekkend of schadelijk kunnen zijn voor de voorplanting. Tijdens het koken met houtskool, zorg altijd voor adequate ventilatie voor de eenheid, om blootstelling aan dergelijke substanties te minimaliseren.

Instructies I.V.M. Aansteken

DIRECT KOKEN

INDIRECT KOKEN


Gebruik van houtskool

Methode van koken	Houtskool Aanbevolen
Direct koken	100
Indirect koken	50 per kant *(Voeg 16 per kant toe voor elk bijkomend uur van de kooktijd)

*Houtskool aanbevelingen zijn bij benadering, bij langere kooktijden moet extra kool worden toegevoegd. Ook zullen bij koudere, winderige temperaturen extra houtskool nodig hebben om te koken op ideale temperaturen.



WAARSCHUWING! Open deksel.

WAARSCHUWING! Plaats de grill buitenshuis op een stevig, vlak, niet-brandbaar oppervlak. Gebruik de grill nooit op houten of andere oppervlakken die kunnen branden.

WAARSCHUWING! Buig niet over grill bij het aansteken van houtskool.

WAARSCHUWING! Aslade moet op zijn plaats zijn gedurende het aansteken en op elk moment tijdens het gebruik.

VERLICHTING VAN DE HOOFDKAMER METHODE VOOR DIRECT KOKEN	VERLICHTING VAN DE HOOFDKAMER METHODE VOOR INDIRECT KOKEN	VERLICHTING VAN DE ACHTERKAMER (ROTISSERIE-BRANDER)
1. Open de ventilatieopeningen van de basis volledig. Open de grilldeksel en verwijder de kookroosters.	1. Open de ventilatieopeningen van de basis volledig. Open de grilldeksel en verwijder de kookroosters.	1. Open de ventilatieopeningen van de basis volledig.
2. Maak zeker dat de opvangbak voor as is schoongemaakt sinds het vorige gebruik en installeer dan opnieuw.	2. Maak zeker dat de opvangbak voor as is schoongemaakt sinds het vorige gebruik en installeer dan opnieuw.	2. Maak zeker dat de opvangbak voor as is schoongemaakt sinds het vorige gebruik en installeer dan opnieuw.
3. Gebruik of de Ultrachef Charcoal Starter (niet inbegrepen) met de instructies die in de handleiding staan, of plaatst aanmaakblokjes of licht verfrommeld krantenpapier op het houtskoolblad. Plaats de houtskool in een kegelvormige stapel in het centrum van de eenheid op de krant of de aanmaakblokjes.	3. Plaats een druppelpan in het centrum van het houtskoolblad. Neem de houtskoolverdelers in het houtskoolblad in gebruik aan beide kanten van de druppelpan. Gebruik of de Ultrachef Charcoal Starter (niet inbegrepen) met de instructies die in de handleiding staan, of plaatst aanmaakblokjes of licht verfrommeld krantenpapier in de houtskoolverdelers. Plaats de houtskool in de verdelers op de krant of de aanmaakblokjes.	3. Plaats de aanmaakblokjes of het licht verfrommelde krantenpapier in de houtskoolmand. Maak het niet te vol. Verwijder het warmhoudrek. Maak zeker dat de achterkamer in positie is, hangende van de haken in de kap, voor het aansteken.
4. Steek de krant of de aanmaakblokjes aan. Zodra volledig aangestoken, sluit de deksel en laat de houtskool branden tot het bedekt is met lichtgrijze as (duurt ongeveer 20 minuten).	4. Steek de krant of de aanmaakblokjes aan. Zodra volledig aangestoken, sluit de deksel en laat de houtskool branden tot het bedekt is met lichtgrijze as (duurt ongeveer 20 minuten).	4. Steek de krant of de aanmaakblokjes aan. Zodra volledig aangestoken, sluit de deksel en laat de houtskool branden tot het bedekt is met lichtgrijze as (duurt ongeveer 20 minuten).
5. Gebruik een tang met lange hittebestendige handvatten om de steenkool gelijk te verdelen over het hele houtskoolblad.		5. Gebruik een tang met lange hittebestendige handvatten om de steenkool gelijk te verdelen over het hele houtskoolblad.



WAARSCHUWING! GEBRUIK DE ACHTERKAMER NIET TEGELIJKERTIJD MET DE HOOFDKAMER



Aanmaakvloeistof kan worden gebruikt om de houtskool aan te steken, maar het is niet de voorkeursmethode. Het kan rommelig zijn en een chemische smaak achterlaten op het voedsel wanneer het niet geheel van de grill afbrandt is voor gebruik. Eenmaal aangestoken, voeg nooit meer aanmaakvloeistof toe aan de grill. Bewaar de fles tenminste 25 ft (7,6 m) uit de buurt van de grill tijdens gebruik.



Veilige gebruikshandelingen bij het aansteken van houtskool

WAARSCHUWING!

- Uitsluitend voor gebruik buitenshuis.
- Maak geen gebruik van de houtskool starter, tot het geplaatst kan worden op een stevig, vlak houtskoolrooster en de houtskool grill op een stevig, vlak, niet-brandbaar oppervlak is.
- Zet de houtskool starter niet op een brandbaar oppervlak, tenzij de houtskool starter volledig is afgekoeld.
- Maak geen gebruik maken van aanstekervloeistof, benzine of zelf ontbrandende houtskool in de houtskool starter.
- Maak alleen gebruik van de houtskool starter om houtskool aan te steken voor barbecues.
- Draag altijd beschermende handschoenen bij het hanteren van de houtskool starter.
- Houd kinderen en huisdieren te allen tijde uit de buurt van de houtskool starter.
- Geen gebruik maken van de houtskool starter bij hoge windsnelheden.
- Laat de houtskool starter niet onbeheerd achter wanneer in gebruik.
- Buig niet over de houtskool starter bij het aansteken van houtskool.
- Maak nooit gebruik van de houtskool starter voor een ander dan het beoogde gebruik. Geen gebruik van de houtskool starter om voedsel te bereiden.
- Wees uiterst voorzichtig bij het verwijderen van hete kolen uit de houtskool starter.

HOUTSKOOL STARTER



NL

Gebruik van de houtskool starter

- Draai de houtskool starter ondersteboven.
- Verkrop twee volle vellen krantenpapier en stop ze in de onderkant van de houtskool starter.
- Draai de houtskool starter met goede kant naar boven en plaats het in het midden van de houtskool rooster.
- Voeg een juiste hoeveelheid van de houtskool toe, maar niet meer dan nodig.
- Steek een lucifer af en steek deze in een van de onderste luchtgaten om de krant aan te steken.
- Wanneer de bovenste laag van houtskool een dun laagje grijze as heeft, draag beschermende handschoenen om zorgvuldig de hete houtskool op het houtskoolrooster (directe koken methode) of in de houtskool manden (indirecte methode) te plaatsen.
- Zodra de hete houtskool in de grill is geplaatst, verspreid de houtskool gelijkmatig met een tang met lange hittebestendige handgrepen.

Houtskool kook gids

Houtskool is de traditionele manier van koken die we allemaal kennen. De gloeiende kooltjes stralen infrarode energie uit om het voedsel te koken, met een zeer weinig uitdrogend effect. Alle sappen en oliën die ontsnappen uit het voedsel druipt naar beneden op de houtskool en verdampt in rook waardoor het voedsel zijn heerlijke gegrilde smaak krijgt. Het komt er op uit dat de houtskoolgrill van Napoleon met verzengende hitte voor sappiger, lekkerder steaks, hamburgers en andere vleeswaren zorgt. Voor kooktijden en tips raadpleeg de houtskool grill grafiek.

De volgende grill grafiek is bedoeld slechts als een richtlijn. Kooktijden worden beïnvloed door factoren zoals hoogte, buitentemperatuur, wind, en de gewenste gaarheid, die zal worden weergegeven in uw kooktijd. Gebruik een vleesthermometer om zeker te maken dat het eten gaar is.

Houtskool grill grafiek

Voedsel	Directe/Indirecte hitte	Kooktijd	Nuttige suggesties
Biefstuk 2.5 cm dik	Directe hitte	6-8 min.- Medium	Bij het selecteren van vlees voor grillen, vraag om gemarmerde vetverdeling. Het vet werkt als een natuurlijke tenderizer tijdens het koken en houdt het vochtig en sappig.
Hamburger 1.25 cm dik	Directe hitte	6-8 min.- Medium	Hamburgers op bestelling klaarmaken wordt makkelijker gemaakt door variatie in dikte van uw burgers. Om een exotische smaak aan je vlees te geven, probeer hickory houtsnippers toe te voegen op de houtskool.
Stukken kip	Directe warmte ca. 2 min. per zijde. Indirecte warmte voor de resterende 18-20 min.	20-25 minuten.	Het gewricht van het dijbeen en het been van de ontvelde kant moet tot 3/4 worden gesneden zodat meer van het vlees met de grill in contact komt. Dit helpt om het sneller en gelijkmatiger te koken. Om een speciale smaak aan uw eten toe te voegen, probeer dan Mesquite houtsnippers uit op de houtskool.
Karbonades	Directe hitte	10-15 min.	Snij het overtollige vet af alvorens te grillen. Kies dikkere karbonades voor malsere resultaten.
Spare ribs	Directe warmte gedurende 5 min. Indirecte warmte voor de afwerking	1,5-2 uur draai vaak	Kies ribben die mager en vlezig zijn Grill tot het vlees gemakkelijk van het bot komt.
Lamskoteletten	Directe hitte	25-30 min.	Snij het overtollige vet af alvorens te grillen. Kies extra dikke karbonades voor malsere resultaten.
Hotdogs	Directe hitte	4-6 min.	Selecteer de grotere hotdogs. Snijd de huid in de lengte voor het grillen.

Kookinstructies

Aansteken voor de eerste keer: Wanneer de grill voor de eerste keer wordt aangestoken geeft deze een lichte geur af. Dit is een normaal tijdelijke staat die wordt veroorzaakt door het "inbranden" van de interne verven en smeermiddelen die worden gebruikt in het productieproces en zal zich niet herhalen. Laat de grill gewoon op hoog staan voor ongeveer 30 minuten met de deksel en de basis ventilatieopeningen volledig open.



WAARSCHUWING! Plaats nooit uw handen binnen de grill tijdens het aanpassen van het houtskoolblad. Houdt handen en vingers ten alle tijden weg van het hefmechanisme.

Gebruik van de grill: Het houtskoolblad heeft zes posities waarin het kan worden gebruikt. Voor optimaal gebruik, adviseren wij om het houtskoolblad alleen te gebruiken in de bovenste positie zo dicht mogelijk bij de kookroosters. Indien gewenst, kan u het dienblad verder verwijderen van het voedsel, en het sluiten van de luchtopeningen vermindert de kooktemperatuur.

Wij raden aan de grill voor te verwarmen door deze te gebruiken met gesloten deksel voor ongeveer 20 minuten. De houtskolen zijn klaar als ze een dun laagje grijze as hebben. Eten gekookt voor een korte periode van tijd (vis, groenten) kunnen worden gegrild met het deksel open. Koken met het deksel gesloten zorgt voor een hogere, meer gelijke temperaturen die kooktijden zullen verminderen en het eten meer gelijkmatig kookt. Bij het koken van zeer mager vlees, zoals kipfilet of mager varkensvlees, kunnen de roosters worden geolied voor het voorverwarmen om plakken te verminderen. Koken van vlees met een hoog vetgehalte kan leiden tot opvlammingen. Trim het vet of te verminder de temperaturen om dit tegen te gaan. Als een opvlamming plaats vindt, verplaats het eten en weg van de vlammen; verminder de hitte (sluit de ventilatieopening). Laat de deksel open.

Als algemene regel, reken op gebruik van ongeveer 100 briketten voor het koken van 4 pond (2kg) van vlees. Wanneer gekookt wordt voor meer dan 30 tot 40 minuten, moeten extra briketten worden toegevoegd aan het vuur. Als het weer is koud en winderig is, moet u meer briketten toevoegen om de ideale kooktemperaturen te bereiken.

Toevoegen van houtskool tijdens het koken: Wees voorzichtig bij het toevoegen van houtskool op de grill. Vlammen kunnen oplaaien wanneer kolen in contact komen met frisse lucht. Voorzichtig open deur bevindt zich aan de voorkant van de basis. Neem een stap terug en op een veilige afstand gebruik een lange, hittebestendige tang om meer houtskoolbriketten toe te voegen.

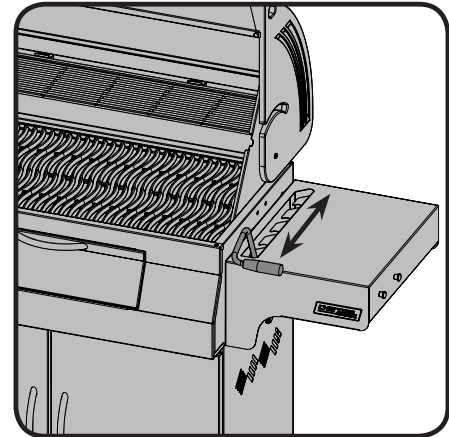
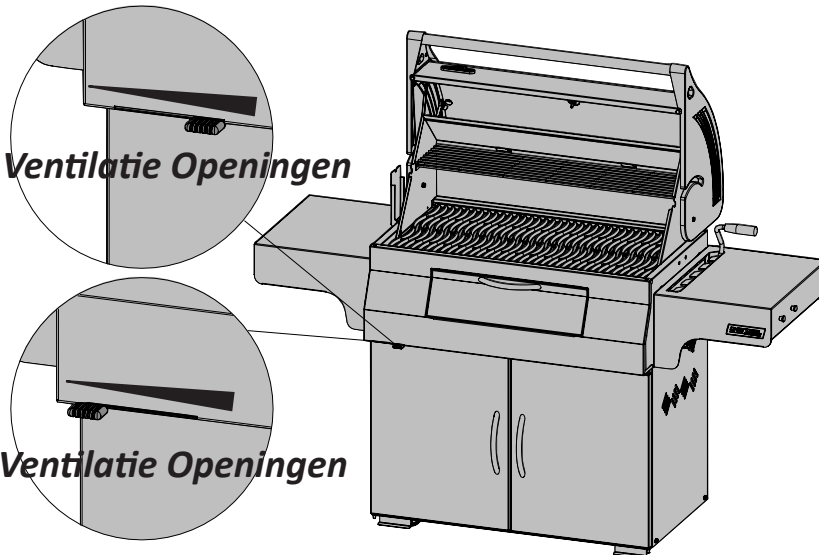


WAARSCHUWING! Startvloeistof voor houtskool mag nooit worden toegevoegd aan hete of warme kolen. Zodra de houtskool is ontstoken is er geen vloeistof meer nodig.

Bedienen van de ventilatieopeningen: Ventilatie openingen grill zijn meestal open gelaten om lucht in de grill toe te laten. Lucht verhoogt de brandtemperatuur van de kolen. U kunt de grill temperatuur reguleren door de schuif vent naar rechts of links te bewegen. Het gedeeltelijk of volledig sluiten van de openingen zal helpen om de kolen af te koelen. Sluit de ventilatieopeningen niet, tenzij u probeert om de grill af te koelen of voor een vlam te doven.

Open Ventilatie Openingen

Sluiten Ventilatie Openingen



NL

Gebruik van de achterkamer (Rotisserie brander): Verwijder het warmhoudrek voor gebruik. Grillroosters moeten ook worden verwijderd als ze interfereren met het draaispit. Zorg ervoor dat achterste kamer is geïnstalleerd op de beugels aan de binnenkant van de kap voor het aansteken. De achterkamer is ontworpen om samen met de rotisserie uitrusting (inbegrepen met achterbrander-eenheden) te worden gebruikt, verkrijgbaar bij uw dealer. Zie de montage-instructies van de rotisserie uitrusting.

Om het tegenwicht te gebruiken, verwijder de rotisserie motor van de grill. Plaats het spit met vlees dat wordt gekookt op de hangers binnen de grill. Het vlees zal vanzelf met de zware kant naar beneden hangen. Draai de arm en het gewicht van het tegenwicht aan, zodat de arm naar boven wijst. Schuif het tegengewicht in of uit om de lading in evenwicht te brengen, en het op zijn plaats aan te draaien. Installeer de motor opnieuw en begin met koken.

Plaats een schotel onder het kookrooster om braadvet te verzamelen voor het bedruipen van vlees en natuurlijke heerlijke jus. Vloeistof voor het bedruipen van vlees kan zo nodig worden toegevoegd. Houd de deksel gesloten voor optimale resultaten. Uw braadstukken en gevogelde zullen perfect bruin aan de buitenkant worden en zullen vochtig en mals aan de binnenkant blijven. Bijvoorbeeld, een kip van 3 pond op de rotisserie zal ongeveer in 1½ uur gaar zijn met de hitte op medium of hoog. Om extra houtskool briketten toe te voegen tijdens het koken bewaar een veilige afstand en gebruik een lange tang met hittebestendige handvaten.



WAARSCHUWING! Installeer de achterkamer alleen wanneer het gebruikt wordt.



WAARSCHUWING! Voeg nooit aansteekvloeistof toe aan hete of warme steenkolen, wanneer de houtskool is aangestoken is niet meer aansteekvloeistof nodig.

Veiligheid na het gebruik



WAARSCHUWING! Om uzelf en uw woning tegen schade te beschermen, volg deze veiligheidsmaatregelen nauwkeurig.

- Sluit de deksel van de grill en alle ventilatieopeningen om het vuur uit te maken.
- Laat de grill altijd volledig afkoelen voor hantering.
- Laat kolen en as in de grill nooit onbeheerd achter. Zorg ervoor dat kolen en as volledig zijn gedooft voor verwijdering.
- Gebruik een metalen spatel of schep om de resterende kolen en as van de grill te verwijderen. Plaats ze in een niet-brandbare metalen houder en laat ze volledig verzadigen met water. Laat in een container voor een extra 24 uur voor verwijdering.

Onderhoud / Reinigings Instructies

Het is aanbevolen dat de asbak/druippan wordt geleegd na gebruik.



WAARSCHUWING! Zorg ervoor dat de grill koel is en alle kolen volledig zijn gedoofd voor het verwijderen van een deel van uw grill.

WAARSCHUWING! Draag altijd beschermende handschoenen en een veiligheidsbril bij het schoonmaken van uw grill.

WAARSCHUWING! Gebruik geen hogedrukreiniger om een deel van de grill schoon te maken.

WAARSCHUWING! Om de mogelijkheid van brandwonden te voorkomen, moet het onderhoud alleen worden uitgevoerd wanneer de grill is afgekoeld. Vermijd onbeschermd contact met hete oppervlakken. Maak de grill schoon in een gebied waar reinigungsoplossingen niet schadelijk is voor een terras, gazon, of patio. Gebruik schoonmaakmiddelen voor ovens niet op enig onderdeel van deze grill. Maak geen gebruik van een zelfreinigende oven om grillroosters of andere onderdelen van de grill schoon te maken. Barbecuesaus en zout kunnen corrosief zijn en een snelle verslechtering van de grillonderdelen veroorzaken, tenzij de grillonderdelen regelmatig worden schoongemaakt.

Roosters En Warmhoudrek: De roosters en het warmhoudrek maakt u bij voorkeur schoon tijdens het voorverwarmen met behulp van een zachte koperen borstel. Voor hardnekkige vlekken mag u ook staalwol gebruiken.

De binnenkant van de grill schoonmaken: Verwijder de kookroosters. Gebruik een messing staalborstel om losse rotzooi van de zijkanten en de binnenkant van de deksel schoon te maken. Schraap de binnenkant van de basis schoon met een stopverfmes of schraper, en gebruik een staalborstel om de as te verwijderen. Veeg al de rotzooi van de binnenkant van de gasgrill in de verwijderbare opvangbak voor as/druipsel. Indien gewenst, kunt u de binnenkant van de grill wassen met een mild reinigingsmiddel en water. Spoel goed met schoon water en veeg het droog.



WAARSCHUWING! Geaccumuleerd vet vormt een brandgevaar. Reinig de lekbak na elk gebruik om vet afzetting te voorkomen.

As/lekbak: As, vet en overtollige braadvet gaat naar de as/lekbak, gelegen onder de houtskoolgrill, en accumuleert daar. Voor schoonmaak, schuif de pan vrij van de grill. Bekleed de pan nooit met aluminiumfolie, zand of ander materiaal, omdat dit goede doorstroom van het vet verhindert. De pan moet uit worden geschraapt met een plamuurmes of schraper, en alle puin moet geborsteld worden in een niet-brandbare metalen container. Was de as/lekbak met een mild wasmiddel en water. Spoel goed af met schoon water en wrijf droog.

Reinigen Van De Buitenkant Van De Gasbarbecue: Reinig geverfde, geëmailleerde of roestvrijstalen onderdelen niet met schurende schoonmaakmiddelen. Geëmailleerde onderdelen dienen extra voorzichtig te worden gehanteerd. De aangebakken geëmailleerde afwerking lijkt op glas en schilfert wanneer men erop slaat. Om het email te retoucheren kunt u contact opnemen met uw handelaar van Napoleon-gasbarbecues. De buitenkant van de barbecue moet met lauw zeepwater worden schoongemaakt wanneer hij nog warm aanvoelt. Reinig de roestvrijstalen oppervlakken met een schoonmaakmiddel voor roestvrij staal of met een niet-schurend product. Veeg altijd schoon met de draad mee. Staalwol maakt krassen in de afwerking en mag niet worden gebruikt. Roestvrijstalen onderdelen verkleuren (ze worden goudkleurig of bruin) wanneer ze worden opgewarmd. Dat is normaal en beïnvloedt de werking van de barbecue niet.

Problemen oplossen

Probleem	Mogelijke oorzaken	Oplossing
Lage hitte/Lage vlam.	<p>Onjuiste voorverwarming.</p> <p>Niet voldoende luchtaanvoer.</p> <p>Te weinig houtskool.</p> <p>Het houtskoolblad is op de verkeerde plaats.</p>	<p>Laat de houtskool branden tot het bedekt is met lichtgrijze as. (duurt gewoonlijk 20-25 min.)</p> <p>Open ventilatieopeningen.</p> <p>Voeg meer houtskool aan het houtskoolblad toe.</p> <p>Plaats het houtskoolblad in de hoogste positie.</p>
Overvloedige opflakkeringen/ ongelijke temperatuur.	<p>Onjuiste voorverwarming.</p> <p>Overvloedige opeenhoping van vet en as in de opvangbak voor as/druipsel.</p> <p>Het houtskoolblad is op de verkeerde plaats.</p>	<p>Verwarm de grill voor, met de deksel gesloten, voor 20 - 25 min.</p> <p>Maak de opvangbak voor as/druipsel regelmatig schoon. Bedek de lekbak niet met aluminiumfolie. Volg de reinigingsinstructies.</p> <p>Plaats het houtskoolblad in de laagste positie.</p>
"Verf" lijkt van de binnendecksel of kap te bladderen.	Vetopbouw op binnen-oppervlakten.	<p>Dit is geen mankement. De afwerking van de deksel en de kap is van roestvrij staal, en zal niet bladderen. Het bladderen wordt veroorzaakt door verhard vet, dat er als verfschilfers uitziet die afschilferen zullen. Regelmatige schoonmaak zal dit verhinderen. Zie de reinigingsinstructies.</p>

Houtskool grillen in herhaling

Aansteken van uw grill

- Vóór het koken voor de eerste keer, raden we aan de grill te laten branden op hoog voor 30 minuten met de ventilatie openingen van de basis volledig open. Dit zal alle smeermiddelen verbranden die worden gebruikt in het productieproces.
- Open de ventilatie opening van de basis volledig iedere keer dat u uw grill aansteekt.
- Zorg ervoor dat de aslade is schoongemaakt van het eerder gebruik en vervolgens installeer de aslade opnieuw.
- Gebruik ofwel de Ultrachef Charcoal Starter (niet inbegrepen) volgens de instructies in de handleiding. Plaats de kool in een kegelvormige stapel in het midden van het apparaat (directe kookmethode) of de optionele houtskool manden (indirecte methode).
- Eenmaal volledig aangestoken, sluit de deksel en laat de houtskool branden totdat het is bedekt met licht grijze as (ongeveer 20 minuten), schik de houtskool met een tang met hittebestendige handvaten volgens de kookmethode u gaat gebruiken.
- Aanmaakvloeistof kan worden gebruikt om de houtskool aan te steken, maar het is niet de voorkeursmethode. Het kan rommelig zijn en er kan een chemische smaak op het voedsel achterlaten als niet het volledig verbrand voordat het eten gekookt wordt. Eenmaal aangestoken, voeg nooit meer aanmaakvloeistof toe aan de grill. Bewaar de fles tenminste 25 ft (7,6 m) uit de buurt van de grill tijdens gebruik.
- Extra rook smaak kan worden bereikt door het toevoegen van roker chips die beschikbaar zijn in een verscheidenheid van aroma's via uw Napoleon dealer .

Koken met uw grill

- Wij raden aan om de grill voor te verwarmen door deze aan te hebben met gesloten deksel voor ongeveer 20 minuten. De houtskolen zijn klaar als ze een dun laagje grijze as hebben.
- Als algemene regel, reken voor gebruik van ongeveer 50 briketten voor het koken van 2 pond (1kg) van vlees. Wanneer gekookt wordt voor meer dan 30 tot 40 minuten, moeten extra briketten worden toegevoegd aan het vuur. Als het weer is koud en winderig is, moet u meer briketten toevoegen om de ideale kooktemperaturen te bereiken.
- Wees voorzichtig bij het toevoegen van houtskool op de grill. Vlammen kunnen oplaaien wanneer kolen in contact komen met frisse lucht. Neem een stap terug en op een veilige afstand gebruik een lange, hittebestendige tang om meer houtskoolbriketten toe te voegen.
- Ventilatieopeningen zijn meestal open gelaten om lucht in de grill toe te laten. Lucht verhoogt de brandtemperatuur van de kolen. U kunt de grill temperatuur reguleren door de schuif vent naar rechts of links te bewegen.
- Laat voedsel koken met de deksel dicht. Elke keer als de deksel wordt geopend, daalt de temperatuur. Dit leidt tot lagere temperaturen en langere kooktijden.
- Het gedeeltelijk of volledig sluiten van de openingen zal helpen om de kolen af te koelen. Sluit de ventilatieopeningen niet, tenzij u probeert om de grill af te koelen of voor een vlam te doven.
- Het grillrooster kan worden geolied voor voorverwarming om plakken te verminderen.
- Gebruik een vleesthermometer om zeker te maken dat het eten gaar is.

Schoonmaak van de grill

- Sluit de deksel van de grill en alle ventilatieopeningen om het vuur uit te maken.
- Laat de grill altijd volledig afkoelen voor hantering.
- Laat kolen en as in de grill nooit onbeheerd achter. Zorg ervoor dat kolen en as volledig zijn gedooft voor verwijdering.
- Gebruik een metalen spatel of schep om de resterende kolen en as van de grill te verwijderen. Plaats ze in een niet-brandbare metalen houder en laat ze volledig verzadigen met water. Laat in een container voor een extra 24 uur voor verwijdering.
- Gebruik een borstel met koperen draad om los materiaal te verwijderen van de kom en de binnenkant van het deksel.
- Indien gewenst, kunt u de binnenkant van de grill wassen met een mild reinigingsmiddel en water. Spoel goed af met schoon water en wrijf droog.
- Geëmailleerde onderdelen moeten worden behandeld met extra zorg. De opgebakken emaille finish is glashard, en zal, indien geslagen schilferen. Touch-up glazuur is verkrijgbaar bij uw Napoleon Grill dealer.

HOUD UW BON ALS BEWIJS VAN AANKOOP VOOR DE GELDIGHEID VAN UW GARANTIE

Bestellen Van Reserveonderdelen

GARANTIE-INFORMATIE

MODEL: _____

AANKOOPDATUM: _____

SERIENUMMER: _____

(schrijf hier uw gegevens voor gemakkelijke referentie)

Voordat u contact opneemt met de klantenservice, controleer de NAC website voor uitgebreidere reiniging, onderhoud, het oplossen van problemen en de instructies voor het vervangen van onderdelen op www.napoleongrills.com. Neem direct contact op met de fabriek voor vervangende onderdelen of schadeclaims. De klantenservice is bereikbaar tussen 9 AM en 5 PM (Eastern Standard Time) op 1-866-820-8686 of fax op 1-705-727-4282. Voor het afhandelen van een schadeclaim, hebben wij de volgende gegevens nodig:

1. Model en serienummer van het apparaat.
2. Onderdeelnummer en beschrijving.
3. Een korte duidelijke omschrijving van het probleem ('gebroken' is niet voldoende).
4. Bewijs van aankoop (kopie van de factuur).

In enkele gevallen kan de vertegenwoordiger van de klantenservice verzoeken de onderdelen naar de fabriek terug te sturen voor onderzoek, voordat vervangende onderdelen worden geleverd. De onderdelen dienen vooruitbetaald verscheept te worden ter attentie van de klantenservice met de volgende gegevens:

1. Model en serienummer van het apparaat.
2. Een korte duidelijke omschrijving van het probleem ('gebroken' is niet voldoende).
3. Bewijs van aankoop (kopie van de factuur).
4. Retour autorisatienummer – verstrekt door de vertegenwoordiger van de klantenservice.

Let u er op, voordat u contact opneemt met de klantenservice, dat de volgende zaken niet door de garantie worden gedekt:

- transportkosten, provisie of exportbelastingen
- arbeidsloon voor het de- en herinstalleren
- kosten voor servicegesprekken om de problemen vast te stellen
- ontkleuring van roestvrijstalen onderdelen
- mankementen aan onderdelen door gebrek aan reiniging en onderhoud, of het gebruik van onjuiste reinigingsmiddelen (ovenreiniger).



Fax naar: 705 727 4282

Bestelformulier voor Accessoires en Onderdelen

A.u.b. schrijf in blokletters

Naam: _____

Verstuur naar : _____

Tel : _____

Fax : _____

Email: _____

Visa of Mastercard Nummer: _____ Vervaldatum: _____

Handtekening: _____

Aantal	Onderdeelnummer	Omschrijving

Belasting kan worden toegepast
Mogelijk extra vervoerskosten

NL

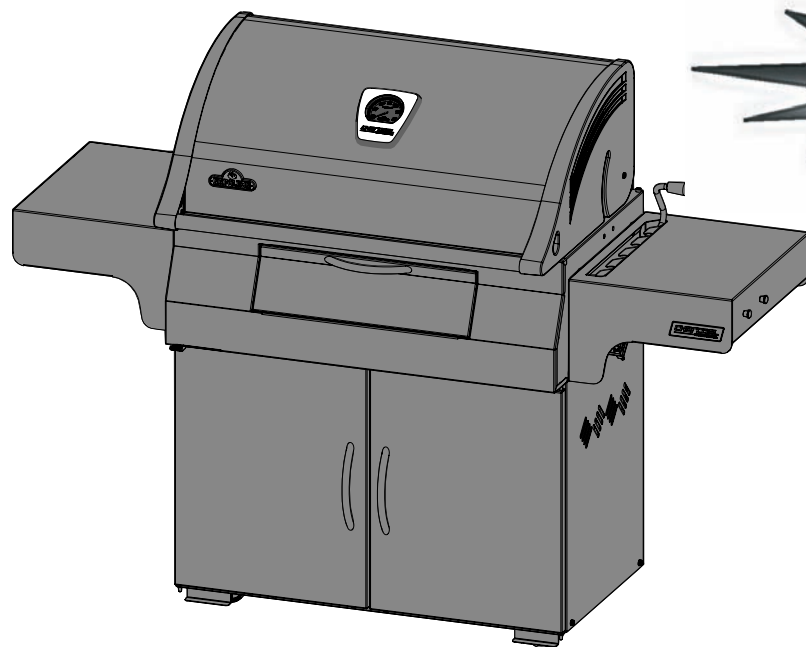
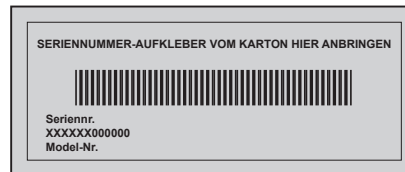
NL

HINWEISE ZUR VERWENDUNG UND WARTUNG UND PFLEGE

DIESEN GRILL NUR IM FREIEN AN EINEM GUT BELÜFTETEN ORT VERWENDEN

BEWAHREN SIE DIESES HANDBUCH ZUR WEITEREN REFERENZ AUF

HOLZKOHLENGRILL FÜR DEN AUSSENGBRAUCH



PRO605CSS

DE



ACHTUNG

Den Grill erst anzünden, nachdem Sie den Abschnitt „Anleitung für das Anzünden“ in diesem Handbuch gelesen haben.



GEFAHR

Verbrennen von Kohle abgibt Kohlenmonoxid. Nicht verbrennen Kohle in Wohnungen, Garagen, Zelten, Fahrzeugen oder geschlossenen Räumen.



WARNUNG! Nichtbefolgung dieser Anweisungen kann zu Bränden mit schweren Verletzungen oder Tod führen.

Napoleon Appliance Corp.,

214 Bayview Dr, Barrie, Ontario, Canada L4N 4Y8 Phone: 1-866-820-8686

Fax: (705)725-2564 email: wecare@napoleonproducts.com web site: www.napoleongrills.com

VIELEN DANK, DASS SIE SICH FÜR NAPOLEON ENTSCIEDEN HABEN

NAPOLEON-Produkte werden ausschließlich mit Komponenten und Materialien von höchster Qualität hergestellt, die von unseren geschulten und qualitätsorientierten Technikern montiert werden. Dieser Grill wurde vor Verpackung und Auslieferung gründlich von unserem geschulten Personal geprüft, um sicherzustellen, dass unsere Kunden die hohe Qualität erhalten, die sie von allen Napoleon-Produkten erwarten können.

Das höchste Ziel aller Napoleon-Mitarbeiter ist höchste Kundenzufriedenheit und wir möchten Ihnen die notwendigen Werkzeuge zur Verfügung stellen, um ein unvergessliches Grillerlebnis zu erzielen. In diesem Handbuch finden Sie die nötigen Anweisungen für die sichere und ordnungsgemäße Montage, Installation, Wartung und Pflege Ihres Grills. Lesen Sie diese Bedienungsanleitung vollständig durch und machen Sie sich mit allen Sicherheitshinweisen und den Gerätefunktionen vertraut, bevor Sie Ihren neuen Grill in Betrieb nehmen. Bei genauer Befolgung dieser Anweisungen werden Sie Ihren Grill über viele Jahre genießen können. Falls Sie aus irgendeinem Grund nicht mit unserem Produkt zufrieden sein sollten, wenden Sie sich bitte an unseren Kundendienst unter der Telefonnummer +1-866-820-8686 zwischen 9 Uhr und 17.00 Uhr Eastern Standard Time oder besuchen Sie unsere Website www.napoleongrills.com.



DE

BESCHRÄNKTE PRESIDENT-GARANTIE AUF LEBENSZEIT VON NAPOLEON

NAPOLEON garantiert dem Erstkäufer dieses neuen NAPOLEON Grills, dass dieser Grill frei von Material- und Verarbeitungsfehlern ist, solange der Grill sich in seinem Besitz befindet. Dies beinhaltet Aluminiumussteile (Lackierung ausgenommen), Edelstahl- und emaillierte Unterbauten, Räder, Knöpfe, emaillierte Deckel, Haubeneinsätze aus Edelstahl und Haubengriffe, vorbehaltlich folgender Bedingungen: In den ersten fünf Jahren liefert NAPOLEON kostenlos Ersatzteile nach unserer Wahl. Ab dem sechsten Jahr auf Lebensdauer liefert NAPOLEON Ersatzteile zu einem Preis von 50 % des aktuellen Verkaufspreises.

Bauteile wie Grillroste aus Gusseisen, Hebemechanismus und Temperaturanzeigen sind darin eingeschlossen und NAPOLEON ersetzt diese Teile während der ersten zwei Jahre der beschränkten Garantie kostenlos.

Alle anderen Bauteile, einschließlich Lenkrollen, Warmhalteroste, Verschlüsse und Zubehörteile sind darin eingeschlossen und NAPOLEON ersetzt diese Teile während des ersten Jahres der beschränkten Garantie kostenlos.

NAPOLEON haftet nicht für etwaige Transportkosten, Arbeitskosten oder Exportzölle.

BEDINGUNGEN UND EINSCHRÄNKUNGEN

„Die Garantie von NAPOLEON für Materialfehler ist auf den Erstkäufer beschränkt – vorausgesetzt, dass der Kauf über einen autorisierten NAPOLEON-Händler getätigt wurde – und unterliegt den folgenden Bedingungen und Einschränkungen:“

Diese Werksgarantie ist nicht übertragbar und kann durch keinen unserer Vertreter erweitert oder verlängert werden.

Der Grill muss von einem lizenzierten, autorisierten Kundendiensttechniker oder Handwerker installiert werden. Die Installation muss unter Beachtung der folgenden Installationsanweisungen und aller lokalen und nationalen Bau- und feuerpolizeilichen Vorschriften erfolgen.

Diese eingeschränkte Garantie gilt nicht für Schäden durch missbräuchliche Verwendung, mangelnde Wartung, Fettbrände, aggressive Atmosphäre, Unfälle, Modifikationen, Fehlgebrauch oder Vernachlässigung, und die Installation von Teilen anderer Hersteller führt zum Erlöschen dieser Garantie. Weiterhin gilt diese beschränkte Garantie nicht für Kratzer, Dellen, lackierte Oberflächen, Korrosion oder Verfärbungen durch Wärmeeinwirkung, scheuernde oder chemische Reiniger, abgeplatzte Porzellan-Email-Oberflächen oder Komponenten, die bei der Installation des Grills verwendet wurden. Teile, die innerhalb der Garantiezeit durch Korrosion oder Verschleiß unbrauchbar werden, werden von NAPOLEON ausgetauscht.

Im ersten Jahr ab Kaufdatum erstreckt sich diese Garantie auch auf den Ersatz von Garantieteilen, die Material- oder Herstellungsmängel aufweisen, solange das Produkt gemäß den Betriebsanweisungen und unter normalen Bedingungen verwendet wird.

Nach Ablauf des ersten Jahres ab Kaufdatum behält sich NAPOLEON unter der beschränkten President-Garantie auf Lebenszeit das Recht vor, sich von allen aus dieser Garantie entstehenden Verpflichtungen zu entbinden und dem Erstkäufer den Großhandelspreis des defekten Garantieteils zurückzuerstatten.

NAPOLEON ist nicht verantwortlich für Installationskosten, Arbeitskosten oder andere Kosten oder Ausgaben, die aus der erneuten Installation von Garantieteilen entstehen und solche Kosten oder Ausgaben sind von dieser Garantie nicht gedeckt.

Unbeschadet jeglicher Bestimmungen dieser beschränkten President-Garantie auf Lebenszeit ist die Haftung von NAPOLEON beschränkt auf die oben festgelegten Bestimmungen und NAPOLEON leistet in keinem Fall Schadensersatz für beiläufig entstandenen Schäden, Folgeschäden oder indirekte Schäden.

Diese Garantie definiert die Pflichten und Haftung von NAPOLEON im Zusammenhang mit dem NAPOLEON-Grill und NAPOLEON lehnt alle anderen Garantieansprüche, ob ausdrücklich oder konkludent, in Bezug auf dieses Produkt, seine Komponenten oder Zubehörteile, ab.

NAPOLEON übernimmt keine anderen Verpflichtungen aus dem Verkauf dieses Produkts und autorisiert keine andere Partei, solche anderen Verpflichtungen für NAPOLEON zu übernehmen.

NAPOLEON ist nicht verantwortlich für: Überfeuern, Erlöschen der Brennerflamme durch Umwelteinwirkung wie starke Winde oder unzureichende Be- und/oder Entlüftung.

NAPOLEON ist nicht für Schäden durch Witterungseinwirkung, Hagel, groben Umgang mit dem Gerät, aggressive Chemikalien oder Reinigungsmittel verantwortlich.

Für die Geltendmachung eines Garantieanspruchs bei NAPOLEON sind die Vorlage der Kaufquittung im Original oder in Kopie sowie die Angabe der Serien- und Modellnummer erforderlich.

NAPOLEON behält sich das Recht vor, jedes Produkt oder Bauteil vor Anerkennung eines Garantieanspruchs von einem seiner Handelsbeauftragten besichtigen zu lassen.

Transportkosten, Arbeitskosten oder Exportzölle werden von NAPOLEON nicht erstattet.



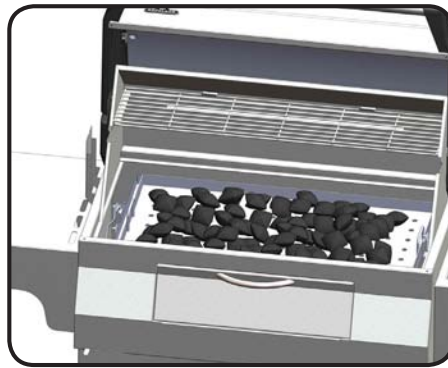
ACHTUNG! Ein Nichtbefolgen dieser Anleitung kann durch Brände oder Explosionen zu Sachschäden und Körperverletzungen, auch zu tödlichen, führen.

Warn- und Sicherheitshinweise

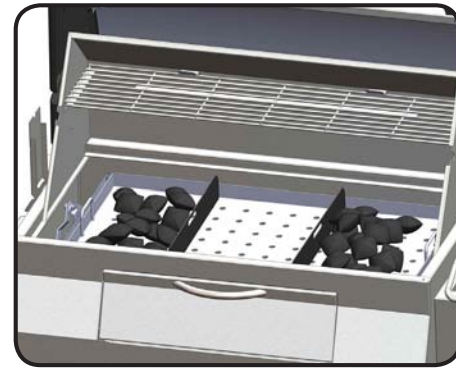
- Lesen Sie dieses Handbuch vollständig durch, bevor Sie den Grill in Betrieb nehmen.
- Dieser Grill darf unter keinen Umständen baulich verändert oder modifiziert werden.
- Folgen Sie beim Betrieb des Grills sorgfältig allen Anweisungen für das Anzünden.
- Brenner niemals bei geschlossener Grillhaube zünden.
- Lehnen Sie sich beim Anzünden nicht über den Grill.
- Vor dem Anzünden des rückseitigen Brenners muss dieser sich auf der Halterung im Inneren der Haube befinden.
- Die Verwendung von Benzin, Alkohol oder anderen hochentzündlichen Flüssigkeiten zum Anzünden von Holzkohle ist untersagt. Verwenden Sie AUSSCHLIESSLICH flüssigen Grillanzünder der für das Anzünden von Holzkohle vorgesehen ist. Stellen Sie sicher, dass jegliche Flüssigkeiten oder flüssiger Grillanzünder, die sich am Boden des Grills angesammelt haben, vor dem Anzünden der Holzkohle entfernt werden.
- Flüssiger Grillanzünder darf nicht auf heißen oder warmen Kohlen verwendet werden.
- Verschließen Sie nach Gebrauch - und vor dem Anzünden - den Behälter des flüssigen Grillanzünders und bewahren Sie diesen in sicherer Entfernung, mindestens 7,6 m vom Grill entfernt, auf.
- Kinder und Haustiere sind vom heißen Grill fernzuhalten; Kinder DÜRFEN NICHT in den Unterschrank klettern.
- Lassen Sie den Grill niemals unbeaufsichtigt, wenn er in Betrieb ist.
- Bewegen Sie den Grill nicht, solange er heiß oder in Betrieb ist.
- Dieser Grill ist nicht zum Einbau in Wohnwagen/Wohnmobilen und/oder Boote gedacht.
- Lagern Sie diesen Grill nur im Freien an einem gut belüfteten Ort und benutzen Sie ihn niemals in einem Gebäude, einer Garage, einem Wintergarten, Gartenpavillon oder anderen geschlossenen Bereichen/Räumen.
- Es ist stets ein ausreichender Abstand zu brennbaren Materialien einzuhalten: 410 mm zur Geräterückseite, 180 mm zu den Seitenteilen. Dieser Abstand wird auch empfohlen, wenn das Gerät in der Nähe von Vinyl-Verkleidungen oder großen Fensterscheiben aufgestellt wird.
- Stellen Sie sicher, dass die Belüftungsöffnungen des Gehäuses stets frei von Schmutz und Ablagerungen sind.
- Wenn Sie die Höhe/Position des Holzkohleeinsatzes verstellen, achten Sie darauf, dass sich Ihre Hände nicht im Inneren des Grills befinden. Halten Sie Finger und Hände stets vom Hebe- und Abmechanismus fern.
- Betreiben Sie das Gerät niemals unter einer brennbaren baulichen Struktur.
- Den Grill nicht unter baulichen Strukturen, z. B. Dächern, überdachten Stellplätzen, Markisen oder Dachvorsprüngen aufstellen oder betreiben.
- Gerät nur an einem windgeschützten Ort aufstellen. Die Kochleistung des Grills wird durch starke Windeinwirkung beeinträchtigt.
- Grillhaube während der Vorwärmzeit geschlossen halten.
- Während des Grillbetriebs muss der Aschebehälter/die Tropfschale eingesetzt sein.
- Aschebehälter/Tropfschale regelmäßig reinigen, um Fettansammlungen, die zu Fettbränden führen können, zu vermeiden.
- Die Seitenablagen nicht für die Aufbewahrung von Feuerzeugen, Streichhölzern oder anderen brennbaren Materialien verwenden.
- Der Grill sollte stets auf einem ebenen Untergrund aufgestellt oder gelagert werden.
- Zum Löschen von Flammen oder brennenden Kohlen niemals Wasser verwenden, da dies die Beschichtung (Finish) des Grills beschädigen kann.
- Ein Aufblodern der Flammen kann durch leichtes Schließen der Lüftungsschlitze am Grill kontrolliert werden. Schließen Sie zum vollständigen Löschen von brennender Kohle/Feuer alle Lüftungsschlitze und die Haube vollständig.
- Verwenden Sie geeignete Grillutensilien mit ausreichend langen, hitzebeständigen Griffen.
- Verwenden Sie beim Grillen oder Regulieren der Lüftungsschlitze stets Grillhandschuhe oder hitze- und feuerbeständige Topflappen.
- Entfernen Sie die Asche erst, wenn die Holzkohle vollständig abgebrannt und ausgekühlt ist. Lassen Sie den Grill lange genug abkühlen.
- Entfernen Sie im Grill verbliebene Kohle und Asche und bewahren Sie diese in einem nicht brennbaren Metallbehälter auf. Den Metallbehälter mindestens 24 Stunden stehen lassen, bevor Kohle und Asche im Müll entsorgt werden können.
- Elektrische Kabel von Wasser oder heißen Oberflächen fernhalten.
- Verwenden Sie diesen Grill stets gemäß den lokal geltenden Vorschriften.
- **Auszug aus der „California Proposition 65“:** Bei der Verbrennung von Holzkohle entstehen Nebenprodukte, von denen einige auf einer vom US-Bundesstaat Kalifornien herausgegebenen Liste mit krebserregenden oder fortpflanzungsschädigenden Substanzen stehen. Beim Kochen mit Holzkohle ist stets für eine ausreichende Be- und Entlüftung des Geräts zu sorgen, um den Kontakt mit diesen Substanzen zu minimieren.

Zündanleitung

DIREKTE GARMETHODE



INDIREKTE GARMETHODE



Holzkohlenverwendung

Garmethode	Holzkohle empfohlen
Direktes Garen	100
Indirektes Garen	50 pro Seite *(für jede zusätzliche Stunde Kochzeit 16 pro Seite hinzufügen)

*Empfehlungen für Holzkohle sind nur Anhaltspunkte, längere Kochzeiten erfordern das Nachlegen von zusätzlicher Holzkohle. Bei kaltem oder windigem Wetter ist mehr Holzkohle erforderlich, um optimale Kochtemperaturen zu erreichen.

WARNUNG! Haube ist offen.

WARNUNG! Den Grill im Freien auf einem festen, ebenen, nicht brennbaren Untergrund aufstellen. Den Grill niemals auf einem Untergrund aus Holz oder anderen brennbaren Materialien verwenden.

WARNUNG! Beim Anzünden der Holzkohle nicht über den Grill lehnen.

WARNUNG! Der Aschenbehälter muss während des Anzündens und Betriebs des Grills eingesetzt sein.



ENTZÜNDEN DER HAUPTKAMMER DIREKTE GARMETHODE	ENTZÜNDEN DER HAUPTKAMMER INDIREKTE GARMETHODE	ENTZÜNDEN DER RÜCKSEITIGEN KAMMER (ROTISSERIE-BRENNER)
1. Öffnen Sie die Lüftungsschlitze an der Unterseite komplett. Öffnen Sie die Grillhaube und entfernen Sie die Grillroste.	1. Öffnen Sie die Lüftungsschlitze an der Unterseite komplett. Öffnen Sie die Grillhaube und entfernen Sie die Grillroste.	1. Öffnen Sie die Lüftungsschlitze an der Unterseite komplett.
2. Stellen Sie sicher, dass der Aschenbehälter leer ist und setzen Sie den sauberen Aschenbehälter wieder ein.	2. Stellen Sie sicher, dass der Aschenbehälter leer ist und setzen Sie den sauberen Aschenbehälter wieder ein.	2. Stellen Sie sicher, dass der Aschenbehälter leer ist und setzen Sie den sauberen Aschenbehälter wieder ein.
3. Verwenden Sie zum Anzünden entweder Ultrachef Charcoal Starter (nicht enthalten) gemäß der Gebrauchsanweisung oder legen Sie Grillanzünder oder leicht zusammengeknülltes Zeitungspapier in den Holzkohleeinsatz. Häufen Sie die Holzkohle in der Grillmitte auf dem Zeitungspapier oder festen Grillanzünder kegelförmig auf.	3. Stellen Sie eine Tropfschale in die Mitte des Holzkohleeinsatzes. Rasten Sie die Holzkohlehalter in den Holzkohleeinsatz auf beiden Seiten der Tropfschale ein. Verwenden Sie zum Anzünden entweder Ultrachef Charcoal Starter (nicht enthalten) gemäß der Gebrauchsanweisung oder legen Sie Grillanzünder oder leicht zusammengeknülltes Zeitungspapier in die durch die Holzkohlehalter abgetrennten Bereiche. Geben Sie die Holzkohle über das Zeitungspapier oder den festen Grillanzünder in die abgetrennten Bereiche.	3. Legen Sie festen Grillanzünder oder leicht zusammengeknülltes Zeitungspapier in den Holzkohlekorb. Nicht überfüllen. Entfernen Sie den Warmhalterost. Stellen Sie vor dem Anzünden sicher, dass sich die rückseitige Kammer in der richtigen Position, d. h. an der Aufhängevorrichtung an der Haube hängt, befindet.
4. Entzünden Sie das Zeitungspapier oder den festen Grillanzünder. Wenn der Grillanzünder vollständig angezündet ist, schließen Sie die Haube und lassen Sie die Holzkohle brennen, bis sie von einer hellgrauen Ascheschicht bedeckt ist (ca. 20 Minuten).	4. Entzünden Sie das Zeitungspapier oder den festen Grillanzünder. Wenn der Grillanzünder vollständig angezündet ist, schließen Sie die Haube und lassen Sie die Holzkohle brennen, bis sie von einer hellgrauen Ascheschicht bedeckt ist (ca. 20 Minuten).	4. Entzünden Sie das Zeitungspapier oder den festen Grillanzünder. Wenn der Grillanzünder vollständig angezündet ist, schließen Sie die Haube und lassen Sie die Holzkohle brennen, bis sie von einer hellgrauen Ascheschicht bedeckt ist (ca. 20 Minuten).
5. Verteilen Sie die Kohle mit Hilfe einer Zange mit langen und hitzebeständigen Griffen gleichmäßig in dem gesamten Holzkohleeinsatz.		5. Verteilen Sie die Kohlen mit einer Zange mit langen und hitzebeständigen Griffen gleichmäßig.



WARNUNG! VERWENDEN SIE DIE RÜCKSEITIGE KAMMER NICHT, WENN AUCH DIE HAUPTKAMMER IN BETRIEB IST.



Sie können flüssigen Grillanzünder verwenden, aber dies ist nicht die empfohlene Methode zum Anzünden von Holzkohle. Flüssiger Grillanzünder kann schwierig in der Handhabung sein und kann zu einem chemischen Geschmack des Grillguts führen, wenn er vor der Speisenzubereitung nicht vollständig abgebrannt wird. Nach dem Anzünden niemals zusätzlichen flüssigen Grillanzünder auf den Grill gießen. Den Behälter mindestens 7,6 m vom Grill entfernt aufbewahren, wenn der Grill in Betrieb ist.



Warn- und Sicherheitshinweise für den Holzkohlengrillstarter

WARNUNG!

- Nur für den Gebrauch im Freien.
- Den Holzkohlengrillstarter nur auf einem festen, ebenen Grillrost verwenden und sicherstellen, dass der Grill auf einem festen, ebenen, nicht brennbaren Untergrund steht.
- Den Holzkohlengrillstarter nicht auf einem brennbaren Untergrund platzieren, bevor er nicht vollständig abgekühlt ist.
- Den Holzkohlengrillstarter nicht mit flüssigem Grillanzünder, Benzin oder selbstzündender Holzkohle verwenden.
- Den Holzkohlengrillstarter nur zum Anzünden von Holzkohle für Holzkohlengrills verwenden.
- Beim Umgang mit Holzkohlengrillstarter stets Schutzhandschuhe tragen.
- Kinder und Haustiere stets vom Holzkohlengrillstarter fernhalten.
- Den Holzkohlengrillstarter nicht bei starkem Wind verwenden.
- Den Holzkohlengrillstarter niemals unbeaufsichtigt lassen, wenn er in Betrieb ist.
- Lehnen Sie sich beim Anzünden nicht über den Holzkohlengrillstarter.
- Den Holzkohlengrillstarter nur für den vorgesehenen Zweck verwenden. Den Holzkohlengrillstarter nicht zur Speisenzubereitung verwenden.
- Gehen Sie äußerst vorsichtig vor, wenn Sie heiße Kohlen aus dem Holzkohlengrillstarter ausschütten.

Verwenden des Holzkohlengrillstarters

- Den Holzkohlengrillstarter auf den Kopf stellen.
- Zwei ganze Seiten Zeitungspapier zerknüllen und in den Boden des Holzkohlengrillstarters stopfen.
- Den Holzkohlengrillstarter aufrecht stellen und in der Mitte des Holzkohlengrillrosts platzieren.
- Ausreichend Holzkohle einlegen aber nicht überfüllen.
- Streichholz anzünden und in einen der unteren Lüftungsschlitze einführen, um das Zeitungspapier zu entzünden.
- Wenn die oberste Holzkohlenschicht leicht mit grauer Asche überzogen ist, Grillhandschuhe anziehen und vorsichtig die heiße Holzkohle auf den Holzkohlenrost (direkte Garmethode) oder in die Holzkohlenwannen (indirekte Garmethode) schütten.
- Die Holzkohle nach dem Auflegen gleichmäßig auf dem Grill verteilen. Hierzu eine Grillzange mit langen, hitzebeständigen Griffen verwenden.

Anweisungen zum Garen mit Holzkohle

Holzkohle ist die traditionelle Art des Garens, mit der wir alle vertraut sind. Die glühenden Briketts geben Infrarotenergie an das Grillgut ab, das Grillgut wird hierbei kaum ausgetrocknet. Austretende Fleischsäfte oder Öle tropfen auf die Holzkohle und werden zu dem Rauch verdampft, der Grillgerichten den typischen, köstlichen Grillgeschmack verleiht. Zusammenfassend lässt sich sagen, dass die Holzkohlengrills von Napoleon extrem hohe Temperaturen erzeugen und perfekt sind für die Zubereitung von saftigen Steaks, Hamburgern und anderen Fleischsorten. Kochzeiten und Zubereitungstipps finden Sie in der Tabelle für das Holzkohlengrillen.

Die folgenden Grilltabellen sind nur Anhaltspunkte. Kochzeiten werden durch verschiedene Faktoren beeinflusst, z. B. Höhenlage, Aussentemperatur, Wind und gewünschte Garstufe, die sich auf die jeweilige Kochzeit auswirken können. Verwenden Sie ein Fleischthermometer, um sicherzustellen, dass Speisen ausreichend gegart sind.

Tipps zum Holzkohlengrillen

FLEISCHSORTE	Direkte/Indirekte Hitze	KOCHZEIT	Tipps
Steak 2,5 cm dick	Direkte Hitze	6-8 Minuten – halbdurch (medium)	Fragen Sie beim Fleischkauf nach gut marmoriertem Fleisch. Die Fettadern dienen bei der Zubereitung als natürliche Zartmacher und halten das Fleisch schön saftig.
Hamburger 1,25 cm dick	Direkte Hitze	6-8 Minuten – halbdurch (medium)	Ändern Sie die Dicke des Hamburger-Bratlings und bereiten Sie die Hamburger nach dem persönlichen Geschmack Ihrer Gäste punktgenau zu. Verleihen Sie Ihren Gerichten ein exotisches Aroma, indem Sie beim Grillen Hickory-Holzchips in der Napoleon-Räuchervorrichtung hinzufügen.
Geflügel (zerteilt)	Direkte Hitze ca. 2 Minuten pro Seite Indirekte Hitze für die restlichen 18-20 Minuten.	20-25 Minuten	Schneiden Sie das Gelenk zwischen Schenkel und Bein von der hautlosen Seite zu 3/4 durch, damit das Fleisch flacher auf dem Grill liegt. Ganze Hühnerbeine grillen so schneller und gleichmäßiger. Verleihen Sie Ihren Gerichten ein exotisches Aroma, indem Sie beim Grillen Mesquite-Holzchips in der Napoleon-Räuchervorrichtung hinzufügen.
Schweinekoteletts	Direkte Hitze	10-25 Minuten	Überschüssiges Fett vor dem Grillen abtrimmen. Wählen Sie dickere Koteletts für zarteres Fleisch.
Spareribs	Direkte Hitze ca. 5 Minuten Indirekte Hitze, um Fleisch fertigzugaren	1,5-2 Stunden Häufig wenden	Wählen Sie Rippchen, die mager sind und viel Fleisch haben. Solange Grillen bis sich das Fleisch leicht vom Knochen ablösen lässt.
Lammkoteletts	Direkte Hitze	25-30 Minuten	Überschüssiges Fett vor dem Grillen abtrimmen. Wählen Sie dickere Koteletts für zarteres Fleisch.
Hotdogs	Direkte Hitze	4-6 Minuten	Verwenden Sie große Wiener-Würstchen zur Zubereitung von Hotdogs und schneiden Sie die Haut vor dem Grillen längs ein.

Grillanleitung

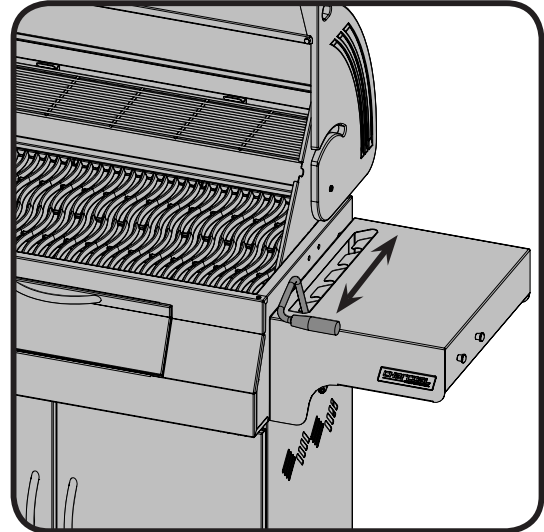
Erstmaliges Anzünden: Beim ersten Anzünden kommt es zu einer leichten Geruchsbildung. Dies ist ein normaler, vorübergehender Zustand, der durch das „Einbrennen“ der Lacke und Schmiermittel im Gerät hervorgerufen wird, die während des Herstellungsprozesses benötigt werden. Dieser Geruch tritt nach dem Einbrennvorgang nicht mehr auf. Den Grill bei offener Grillhaube und vollständig geöffneten Lüftungsschlitzen für ca. 30 Minuten auf hoher Stufe brennen lassen.



WARNUNG! Legen Sie beim Adjustieren des Holzkohleeinsatzes niemals Ihre Hände in den Grill. Halten Sie Finger und Hände stets vom Hebemechanismus fern.

Verwenden des Grills: Der Holzkohleeinsatz hat sechs Positionen, in denen er betrieben werden kann. Für die optimale Nutzung empfehlen wir, den Holzkohleeinsatz in der obersten Position, so nahe an den Grillrosten wie möglich, zu verwenden. Die Temperatur kann durch eine tiefere Positionierung des Holzkohleeinsatzes und das Schließen der Belüftungsöffnungen reduziert werden.

Verwenden des Grills: Der Grill sollte vor der Verwendung vorgewärmt werden. Hierzu bei geschlossener Grillhaube für ca. 20 Minuten betreiben. Die Holzkohle ist grillfertig, wenn sie leicht mit grauer Asche überzogen ist. Gerichte, die nur kurze Kochzeiten erfordern (Fisch, Gemüse) können bei offener Grillhaube gegrillt werden. Kochen bei geschlossener Haube ermöglicht höhere, gleichmäßigere Temperaturen. Hierdurch können Kochzeiten reduziert werden und Grillgut wird gleichmäßiger gegart. Bei der Zubereitung sehr magerer Fleischsorten wie Hühnerbrust oder mageren Stücken vom Schwein kann der Grillrost vor dem Vorwärmen eingefettet werden, um Anhaften zu vermeiden. Bei der Zubereitung von sehr fetthaltigen Fleischsorten kann es zu Aufflammen kommen. Das Fett etwas abtrimmen oder die Temperatur reduzieren, um Aufflammen zu verhindern. Sollte es zum Aufflammen kommen, Grillgut von der Flamme entfernen und Hitze reduzieren (Lüftungsschlitze weiter schließen). Haube offen lassen.



DE

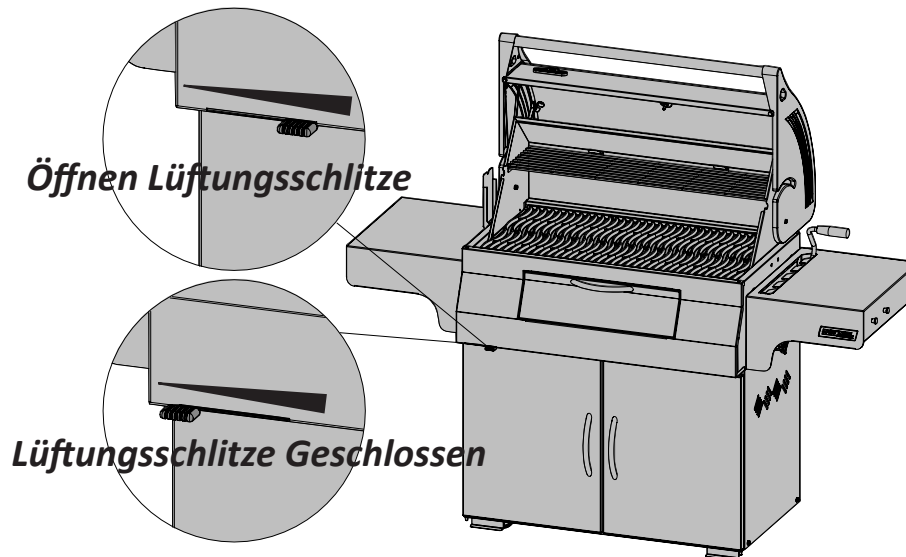
In der Regel sind für die Zubereitung von 2 kg Fleisch ca. 100 Holzkohlenbriketts erforderlich. Bei Zubereitungszeiten von 30 bis 40 Minuten müssen zusätzliche Holzkohlenbriketts aufgelegt werden. Bei kaltem oder windigem Wetter werden mehr Holzkohlenbriketts benötigt, um optimale Kochtemperaturen zu erreichen.

Hinzufügen von Holzkohle während des Grillvorgangs: Beim Hinzufügen von Holzkohle auf den heißen Grill vorsichtig vorgehen. Es kann zu einer plötzlichen Flammenbildung kommen, wenn die Kohlen mit frischer Luft in Kontakt kommen. Sorgfältig öffnen der Basis entfernt. Unter Einhaltung eines Sicherheitsabstands vom Grill zusätzliche Holzkohle mithilfe einer Grillzange mit langen, hitzebeständigen Griffen auflegen.



ACHTUNG! Niemals flüssigen Grillanzünder auf heißen oder warmen Kohlen verwenden. Sobald die Holzkohle gezündet ist, ist kein weiterer flüssiger Grillanzünder erforderlich.

Betrieb der Lüftungsschlitze: Die Lüftungsschlitze normalerweise vollständig geöffnet sein, um ausreichende Belüftung des Grills zu gewährleisten. Luftzufuhr erhöht die Brenntemperatur der Kohle. Die Grilltemperatur kann durch Verschieben des Lüftungsschlitzes nach links oder rechts geregelt werden. Teilweises oder vollständiges Schließen der Lüftungsschlitze führt zum Abkühlen der Kohle. Die Lüftungsschlitze und den Lüftungsschlitz in der Haube nur dann vollständig schließen, wenn der Grill abgekühlt oder eine Flamme gelöscht werden soll.



Verwendung der rückseitigen Kammer (Rotisserie-Brenner): Warmhalterost vor dem Betrieb entfernen. Grillroste sollten ebenfalls entfernt werden, falls diese die Verwendung des Drehspießes behindern. Stellen Sie vor dem Anzünden sicher, dass sich die rückseitige Kammer auf der Halterung im Inneren der Haube befindet. Die hintere Kammer ist zur Verwendung mit dem Drehspieß-Kit (bei Rotisserie-Brennern enthalten) gedacht, die bei Ihrem Händler zu beziehen sind. Siehe Anweisungen für die Montage des Drehspieß-Sets. Entfernen Sie zur Verwendung des Gegengewichts den Drehspießmotor vom Gasgrill. Den Spieß mit dem Grillgut in die beiden Einhängvorrichtungen an der Innenseite des Grills einlegen. Das Fleischstück wird naturgemäß mit der schwereren Seite nach unten hängen. Arm und Gewicht des Gegengewichts festziehen, sodass der Arm nach oben zeigt. Gegengewicht hinein- oder herauschieben, um das Gewicht auszubalancieren, dann in dieser Position feststellen. Den Motor wieder einsetzen und mit dem Grillen beginnen. Stellen Sie einen Auffangbehälter unter das Grillgut. Der aufgefangene Bratensaft kann zum Bepinseln des Fleisches oder zur Herstellung einer leckeren Soße verwendet werden. Fügen Sie, falls notwendig, zusätzliche Flüssigkeit zum Übergießen oder Bepinseln hinzu. Die Grillhaube sollte stets geschlossen halten, um ein optimales Kochergebnis zu erzielen. Braten und Geflügel erhalten eine knusprigbraune Kruste und das Fleisch bleibt saftig und zart. Beispielsweise benötigt ein Brathuhn mit einem Gewicht von 1,5 kg mit dem Drehspieß bei mittlerer bis hoher Flamme eine Garzeit von ca. 90 min. Wenn Sie während des Kochens zusätzliche Holzkohle-Briketts hinzufügen möchten, halten Sie einen Sicherheitsabstand ein und verwenden Sie eine lange Kochzange mit hitzebeständigem Griff.



WARNUNG! Installieren Sie die rückseitige Kammer nur, wenn Sie diese auch verwenden wollen.



WARNUNG! Geben Sie niemals flüssigen Grillanzünder auf heiße oder warme Kohlen. Ist die Kohle einmal entzündet, ist keine weitere Flüssigkeit notwendig.



Sicherheitshinweise nach der Verwendung

WARNUNG! Befolgen Sie diese Sicherheitshinweise, um schwere Verletzungen und/oder Sachschäden zu vermeiden.

- Grillhaube und alle Lüftungsschlitze schließen, um das Feuer zu löschen.
- Den Grill vor dem Anfassen stets vollständig abkühlen lassen.
- Kohle und Asche niemals unbeaufsichtigt im Grill lassen. Sicherstellen, dass Kohle und Asche vollständig ausgekühlt sind, bevor der Grill gereinigt wird.
- Kohle und Asche mit einem Metallspatel oder einer Metallschaufel aus dem Grill entfernen. Kohle und Asche in einen nicht brennbaren Metallbehälter geben und vollständig mit Wasser übergießen. Den Behälter mindestens 24 Stunden stehen lassen, bevor Kohle und Asche im Müll entsorgt werden.

Wartung, Pflege Und Reinigung

Der Aschebehälter und die Fett-Auffangschale sollten nach jedem Gebrauch ausgeleert werden.



WARNUNG! Vor dem Entfernen oder Abnehmen jeglicher Teile vom Grill muss sichergestellt werden, dass der Grill und alle Kohlen vollständig abgekühlt sind.

WARNUNG! Beim Reinigen des Grills sollten stets Handschuhe und eine Schutzbrille getragen werden.

WARNUNG! Keinen Hochdruckreiniger verwenden, um das Gerät oder Teile des Grills zu reinigen.

WARNUNG! Wartungsmaßnahmen nicht am heißen Gerät durchführen, um Verbrennungen zu vermeiden. Ungeschützten Kontakt mit heißen Oberflächen vermeiden. Grill an einer Stelle reinigen, wo die Reinigungslösung nicht zur Beschädigung von Balkonen, Rasen oder Terrassen führen kann. Keinen Ofenreiniger für die Reinigung des Grills oder Teilen des Grills verwenden. Keinen selbstreinigenden Ofen verwenden, um Grillroste oder andere Teile des Grills zu reinigen. Barbecuesauce und Salz können korrosiv wirken und schnell zur Korrosion des Grills und einzelner Bauteile führen, wenn keine regelmäßige Reinigung durchgeführt wird.

Roste Und Warmhaltefläche : lassen sich am besten beim Vorwärmen des Grills mit einer weichen Messingdrahtbürste säubern. Für schwer zu entfernende Flecke Stahlwolle verwenden.

Reinigen der Grillinnenseite: Grillroste entnehmen. Entfernen Sie mit einer Messingdrahtbürste losen Schmutz vom Grillaufsatz und von der Haubeninnenseite. Kratzen Sie die Grillinnenseite mit einem Spachtel oder einer Abziehklinge aus und entfernen Sie die Asche mit einer Drahtbürste. Fegen Sie lose Asche und Schmutz von der Innenseite des Grills in den herausnehmbaren Aschebehälter/Tropfschale. Nach Wunsch kann die Grillinnenseite mit einem milden Reinigungsmittel und Wasser abgewaschen werden. Gründlich mit klarem Wasser abspülen und trockenwischen.



ACHTUNG! Fettansammlungen können zu Bränden führen. Auffangschale nach jedem Gebrauch reinigen, um übermäßige Fettansammlung zu vermeiden.

Aschenbehälter/Auffangschale: Asche, Fett und überschüssige Bratflüssigkeit tropfen zuerst in den Aschenbehälter/die Auffangschale unterhalb des Holzkohlengrills und werden dort gesammelt. Zur einfacheren Reinigung die Auffangschale herausziehen. Die Auffangschale nicht mit Alufolie, Sand oder anderen Materialien auslegen, da dies den erwünschten Fettabfluss behindern kann. Auffangschale mit einem Spachtel- oder Schabemesser auskratzen, gelöstes Fett und Schmutz in einem nicht brennbaren Metallbehälter auffangen. Aschenbehälter/Auffangschale mit einem milden Reinigungsmittel und Wasser abwaschen. Gründlich mit klarem Wasser abspülen und trockenwischen.

Reinigen Der Aussenseite Des Gasgrills: Lackierte, Porzellan- oder Rostfreistahlteile nicht mit Scheuermitteln säubern. Die Porzellanemalle ist besonders vorsichtig zu behandeln. Die Emaillebeschichtung ist wie Glas und platzt beim Anschlagen leicht ab. Emaille-Reparaturmaterial ist von Ihrem Napoleon-Händler erhältlich. Außenflächen am besten in handwarmem Zustand mit warmem Seifenwasser reinigen. Rostfreistahl mit einem entsprechenden Reinigungsmittel oder einem nicht scheuernden Reinigungsmittel säubern. Stets in Strukturrichtung wischen. Keine Stahlwolle verwenden, da sie Kratzspuren hinterlässt. Rostfreistahl verfärbt sich unter Hitze goldfarben oder braun. Diese Verfärbung ist normal und beeinträchtigt die Leistung des Grills nicht.

Fehlerbehebung

Problem	Mögliche Ursachen	Lösung
Geringe Hitze / Kleine Flamme.	<p>Ungenügendes Vorheizen.</p> <p>Ungenügende Luftzufuhr.</p> <p>Zu wenig Holzkohle.</p> <p>Unsachgemäßer Sitz des Holzkohleeinsatzes.</p>	<p>Holzkohle brennen lassen, bis sie mit einer hellgrauen Ascheschicht überzogen ist (üblicherweise 20-25 Minuten).</p> <p>Lüftungsschlitze öffnen.</p> <p>Geben Sie mehr Holzkohle in den Holzkohleeinsatz.</p> <p>Stellen Sie den Holzkohleeinsatz auf die höchste Position.</p>
Übermäßiges Aufblodern / ungleichmäßige Hitze.	<p>Ungenügendes Vorheizen.</p> <p>Übermäßige Ansammlung von Fett und Asche in Aschebehälter/Tropfschale.</p> <p>Unsachgemäßer Sitz des Holzkohleeinsatzes.</p>	<p>Heizen Sie den Grill mit geschlossenem Deckel für 20-25 Minuten vor.</p> <p>Aschebehälter und Tropfschale regelmäßig reinigen. Tropfschale nicht mit Alufolie auslegen. Siehe Anweisungen für die Grillreinigung.</p> <p>Stellen Sie den Holzkohleeinsatz auf die niedrigste Position.</p>
Haubeninnenseite sieht aus, als ob „Farbe“ abblättert.	Fettansammlung auf den Innenseiten.	Dies ist kein Defekt. Die Hauben haben ein Edelstahl-Finish, das nicht abblättern kann. Das Abblättern wird durch hart gewordenes Fett hervorgerufen, das zu farbähnlichen Splittern trocknet, die abblättern können. Dies kann durch regelmäßiges Reinigen verhindert werden. Siehe Anweisungen für die Grillreinigung.

Übersicht zum Holzkohlengrillen

Anzünden des Grills

- Vor der ersten Verwendung den Grill bei vollständig geöffneten Lüftungsschlitzen für ca. 30 Minuten auf hoher Stufe brennen lassen. Hierdurch werden alle Schmiermittel abgebrannt, die für den Herstellungsprozess benötigt werden.
- Die Lüftungsschlitze in Grill vollständig öffnen, wenn der Grill angezündet wird.
- Sicherstellen, dass der Aschenbehälter leer ist und den sauberen Aschenbehälter wieder einsetzen.
- Zum Anzünden entweder den Ultrachef Holzkohlengrillstarter (nicht enthalten) gemäß Gebrauchsanweisung. Die Holzkohle in der Grillmitte (direkte Garmethode) oder in den optionalen Holzkohlenwannen (indirekte Garmethode) kegelförmig anhäufeln.
- Nach dem vollständigen Anzünden Haube schließen und die Holzkohle brennen lassen, bis sie mit einer hellgrauen Ascheschicht überzogen ist (ca. 20 Minuten). Dann je nach gewünschter Garmethode die Holzkohle mit einer Grillzange mit langen, hitzebeständigen Griffen anordnen.
- Sie können flüssigen Grillanzünder verwenden, aber dies ist nicht die empfohlene Methode zum Anzünden von Holzkohle. Flüssiger Grillanzünder kann schwierig in der Handhabung sein und kann zu einem chemischen Geschmack des Grillguts führen, wenn er vor der Speisenzubereitung nicht vollständig abgebrannt wird. Nach dem Anzünden niemals zusätzlichen flüssigen Grillanzünder auf den Grill gießen. Den Behälter mindestens 7,6 m vom Grill entfernt aufbewahren, wenn der Grill in Betrieb ist.
- Zusätzliches Räucheraroma kann durch Hinzufügen von Räucherholzchips erreicht werden, welche in einer großen Auswahl an Aromen über Ihren Napoleon-Händler erhältlich sind.

Garen mit dem Grill

- Der Grill sollte vor der Verwendung vorgewärmt werden. Hierzu bei geschlossener Grillhaube für ca. 20 Minuten betreiben. Die Holzkohle ist grillfertig, wenn sie leicht mit grauer Asche überzogen ist.
- In der Regel sind für die Zubereitung von 2 kg Fleisch ca. 100 Holzkohlenbriketts erforderlich. Bei Zubereitungszeiten von 30 bis 40 Minuten müssen zusätzliche Holzkohlenbriketts aufgelegt werden. Bei kaltem oder windigem Wetter werden mehr Holzkohlenbriketts benötigt, um optimale Kochtemperaturen zu erreichen.
- Beim Hinzufügen von Holzkohle auf den heißen Grill vorsichtig vorgehen. Es kann zu einer plötzlichen Flammenbildung kommen, wenn die Kohlen mit frischer Luft in Kontakt kommen. Unter Einhaltung eines Sicherheitsabstands vom Grill zusätzliche Holzkohle mithilfe einer Grillzange mit langen, hitzebeständigen Griffen auflegen.
- Die Lüftungsschlitze normalerweise vollständig geöffnet sein, um ausreichende Belüftung des Grills zu gewährleisten. Luftzufuhr erhöht die Brenntemperatur der Kohle. Die Grilltemperatur kann durch Verschieben des Lüftungsschlitzes nach links oder rechts geregelt werden.
- Speisen bei geschlossener Grillhaube garen lassen. Bei jedem Abnehmen der Grillhaube sinkt die Temperatur. Dies führt zu niedrigeren Temperaturen und längeren Kochzeiten.
- Teilweises oder vollständiges Schließen der Lüftungsschlitze führt zum Abkühlen der Kohle. Die Lüftungsschlitze und den Lüftungsschlitz nur dann vollständig schließen, wenn der Grill abgekühlt oder eine Flamme gelöscht werden soll.
- Den Grillrost vor dem Vorwärmen einfetten, um Anhaften zu vermeiden.
- Verwenden Sie ein Fleischthermometer, um sicherzustellen, dass Speisen ausreichend gegart sind.

Reinigen des Grills

- Grillhaube und alle Lüftungsschlitze schließen, um das Feuer zu löschen.
- Den Grill vor dem Anfassen stets vollständig abkühlen lassen.
- Kohle und Asche niemals unbeaufsichtigt im Grill lassen. Sicherstellen, dass Kohle und Asche vollständig ausgekühlt sind, bevor der Grill gereinigt wird.
- Kohle und Asche mit einem Metallspatel oder einer Metallschaufel aus dem Grill entfernen. Kohle und Asche in einen nicht brennbaren Metallbehälter geben und vollständig mit Wasser übergießen. Den Behälter mindestens 24 Stunden stehen lassen, bis die Kohle und Asche im Müll entsorgt wird.
- Losen Schmutz am Grillaufsatz und an der Grillhaubeninnenseite mit einer Messingbürste entfernen.
- Grillinnenseite mit einem milden Reinigungsmittel und Wasser abwaschen. Gründlich mit klarem Wasser abspülen und trockenwischen.
- Porzellan-Email-Oberflächen müssen mit besonderer Sorgfalt behandelt werden. Das ofengebrannte Email-Finish ist wie Glas und kann bei Gewalteinwirkung abplatzen. Wenden Sie sich an Ihren Napoleon-Gasgrill-Händler, um Materialien für die Ausbesserung von beschädigtem Email zu erhalten.

BEWAHREN SIE IHRE QUITTING ALS KAUFNACHWEIS AUF, UM IHREN GARANTIEANSPRUCH ZU VALIDIEREN.

BESTELLUNG VON ERSATZTEILEN

GARANTIE-INFORMATIONEN

MODELL: _____

KAUFDATUM: _____

SERIENNUMMER: _____

(Alle für einen Garantieanspruch benötigten Informationen hier aufzeichnen)

Bevor Sie sich mit dem Kundendienst in Verbindung setzen, besuchen Sie bitte die NAC-Website unter www.napoleongrills.com, um ausführlichere Informationen zu Reinigung, Wartung und Pflege, Fehlerbehebung und Ersatzteile zu erhalten. Setzen Sie sich direkt mit dem Werk in Verbindung, um Ersatzteile zu bestellen und Garantieansprüche geltend zu machen. Unser Kundendienst ist zwischen 9 und 15 Uhr Eastern Standard Time erreichbar. Telefonnummer: +1-866-820-8686, Faxnummer: +1-705-727-4282. Zur Bearbeitung eines Garantieanspruchs bitte die folgenden Informationen bereithalten:

1. Modell- und Seriennummer des Geräts
2. Teilenummer und –beschreibung
3. Vollständige Beschreibung des Problems („kaputt“ ist nicht ausreichend)
4. Kaufnachweis (Fotokopie der Rechnung)

In manchen Fällen kann der Kundendienstbeauftragte u. U. die Einsendung der Teile zur Überprüfung im Werk verlangen, bevor Ersatzteile ausgeliefert werden. Die Teile müssen unter Vorauszahlung aller Transportkosten und Angabe der folgenden Informationen an den Kundendienst versandt werden:

1. Modell- und Seriennummer des Geräts
2. Vollständige Beschreibung des Problems („kaputt“ ist nicht ausreichend)
3. Kaufnachweis (Fotokopie der Rechnung)
4. Autorisierungscode für die Rücksendung. Diese erhalten Sie vom Kundendienstmitarbeiter.

Beachten Sie, dass die folgenden Teile nicht unter die Garantie fallen, bevor Sie den Kundendienst kontaktieren:

- Transportkosten, Courtage oder Exportzölle
- Arbeitskosten für Aus- und Einbau
- Telefonkosten für Anrufe zur Diagnose eines Problems
- Verfärbungen von Edelstahlteilen
- Teileversagen aufgrund von mangelnder Reinigung und Pflege, oder Verwendung von falschen Reinigungsmitteln (Ofenreiniger)



FAXNR.: 705 727 4282

BESTELLFORMULAR FÜR ZUBEHÖR UND ERSATZTEILE

BITTE IN DRUCKSCHRIFT AUSFÜLLEN

ANSPRECHPARTNER: _____

LIEFERANSCHRIFT : _____

TELEFON : _____ FAX : _____

EMAIL: _____

KREDITKARTENNR. (VISA, MASTERCARD) : _____ GÜLTIG BIS: _____

UNTERSCHRIFT: _____

ANZAHL	TEILENUMMER	BESCHREIBUNG

ARTIKEL KÖNNEN U. U. STEUERPFLLICHIG SEIN
TRANSPORTKOSTEN NICHT ENTHALTEN

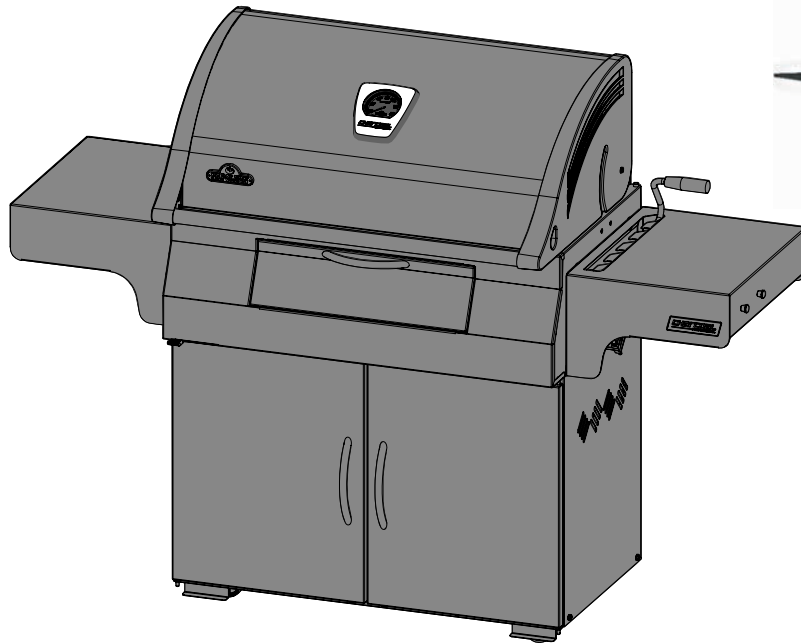
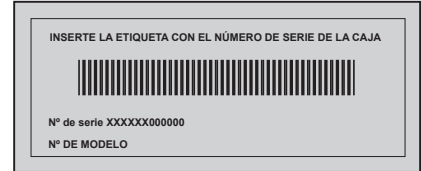
FALLS SIE EINE BESTÄTIGUNG WÜNSCHEN, BITTE FAXNUMMER ODER E-MAIL-ADRESSE ANGEBEN

DE

DE

MANUAL DE ENSAMBLE, USO Y CUIDADO
PARRILLA PARA USO EN EXTERIORES Y ESPACIOS BIEN VENTILADOS
CONSERVE ESTE MANUAL PARA CONSULTAS FUTURAS.

PARRILLA A CARBÓN PARA EXTERIORES



PRO605CSS

ES



ADVERTENCIA

Antes de encender el artefacto, lea la sección de instrucciones de "ENCENDIDO" de este manual.



PELIGRO

Quema de carbón, se produce monóxido de carbono. No queme carbón dentro de casas, garajes, tiendas de campaña, vehículos o cualquier área cerrada.



ADVERTENCIA! Si no se cumplen estas instrucciones, se puede provocar un incendio, incluso lesiones o la muerte.

Napoleon Appliance Corp.,
214 Bayview Dr., Barrie, Ontario, Canada L4N 4Y8 Phone: 1-866-820-8686
Fax: (705)725-2564 email: wecare@napoleonproducts.com web site: www.napoleongrills.com

GRACIAS POR ELEGIR NAPOLEON

Los productos NAPOLEON están diseñados con materiales y componentes de primera calidad. Profesionales capacitados y orgullosos de su trabajo son los responsables de ensamblar los productos. Técnicos calificados inspeccionan cuidadosamente la parrilla antes de empaquetarla y transportarla para que usted, nuestro cliente, reciba el producto de alta calidad que le brinda NAPOLEON.

En Napoleon, nos dedicamos a usted, "nuestro valioso cliente". Nuestra meta es entregarle las herramientas necesarias para lograr que el arte de cocinar en parrilla sea una experiencia inolvidable. Le brindamos este manual para asegurarle un correcto ensamble, mantenimiento, cuidado e instalación de la nueva parrilla. Es importante que lea y comprenda todo el manual antes de utilizar la nueva parrilla para que entienda todas las precauciones de seguridad y vea todas las características que la parrilla le ofrece. Siga cuidadosamente estas instrucciones y disfrute el arte de la cocina en parrilla sin problemas, durante años. Si el producto no cumple con sus expectativas, contáctese con nuestro departamento de atención al cliente al 1-866-820-8686, de 9 a. m. a 5 p. m. hora del este (Estados Unidos), o visite nuestro sitio web: www.napoleongrills.com.



GARANTÍA LIMITADA DE POR VIDA DEL PRESIDENTE DE NAPOLEON GRILLS

NAPOLEON garantiza su nueva barbacoa NAPOLEON contra defectos tanto de los materiales indicados a continuación como de construcción, durante todo el tiempo que usted posea la barbacoa. La garantía cubre las piezas de aluminio fundido (sin incluir la pintura), la base de acero inoxidable con esmalte vitrificado, las ruedas, los mandos y tanto las tapas con esmalte vitrificado como sus inserciones de acero inoxidable y asas, conforme a las siguientes condiciones: durante los primeros cinco años, NAPOLEON proporcionará gratuitamente las piezas de reemplazo que crea convenientes; a partir del sexto año y de por vida, NAPOLEON proporcionará las piezas de reemplazo a un coste del 50% del precio de venta al público vigente en ese momento.

Las parrillas de hierro forjado, los mecanismos de izado y los indicadores de temperatura están asimismo cubiertos. NAPOLEON proporcionará gratuitamente piezas de reemplazo para esos componentes durante los primeros dos años de la garantía limitada.

Los demás componentes también están cubiertos, incluidas las ruedas, las rejillas para mantener la comida caliente, los sujetadores y los accesorios. NAPOLEON proporcionará gratuitamente piezas de reemplazo para esos componentes durante el primer año de la garantía limitada.

NAPOLEON no será responsable de los gastos de transporte, ni de los costes de la mano de obra, ni de los aranceles de exportación.

CONDICIONES Y LIMITACIONES

"NAPOLEON garantiza sus productos contra defectos de fabricación únicamente para el comprador original, siempre y cuando la compra se haya realizado a través de un distribuidor de NAPOLEON autorizado y esté sujeta a las siguientes condiciones y limitaciones:"

La garantía de fábrica no es transferible y no puede ser extendida bajo ningún concepto por ninguno de nuestros representantes.

La instalación de la parrilla se debe realizar por un técnico de mantenimiento o contratista autorizado y con licencia. La instalación se debe realizar de acuerdo a las instrucciones de instalación que se incluyen con el producto y conforme a todos los códigos de construcción e incendios locales y nacionales.

Esta garantía limitada no cubre los daños causados por uso indebido, falta de mantenimiento, incendios ocasionados por la grasa, entornos hostiles, accidentes, alteraciones, abuso o negligencia. Esta garantía queda anulada si se instalan piezas de otros fabricantes.

Esta garantía limitada no cubre ralladuras, abolladuras, acabados pintados, corrosión o decoloración producidas por el calor, productos de limpieza abrasivos o químicos ni resquebrajamiento de las piezas esmaltadas de porcelana ni de los componentes utilizados en la instalación de la parrilla.

Si se deterioran las piezas hasta el punto que evita el funcionamiento correcto de la parrilla en el período de cobertura de la garantía, se proporcionará una pieza de repuesto.

Solamente durante el primer año, se extiende esta garantía al reemplazo de las piezas cubiertas por la garantía, que presenten defectos en el material o de mano de obra, siempre y cuando el producto haya sido utilizado de acuerdo a las instrucciones de funcionamiento y en condiciones normales.

Luego del primer año, con respecto a esta garantía limitada de por vida del presidente, NAPOLEON podrá, según lo disponga, eximirse completamente de todas sus obligaciones relacionadas con esta garantía al reembolsarle el precio total de cualquier pieza bajo garantía, aunque esté defectuosa, al comprador que adquirió la garantía original.

NAPOLEON no se responsabiliza por la instalación, por los gastos de mano de obra ni por otros gastos relacionados con la reinstalación de la pieza en garantía que no cubre dichos gastos.

A pesar de las disposiciones contenidas en esta garantía limitada de por vida del presidente, la responsabilidad de NAPOLEON bajo esta garantía queda definida en las condiciones anteriores y, en ningún caso, podrá extenderse a daños imprevistos, consecuentes o indirectos.

Esta garantía define las obligaciones y responsabilidades de NAPOLEON con respecto a la parrilla NAPOLEON y se excluyen otras garantías, expresas o implícitas, en relación con este producto, sus componentes o accesorios.

NAPOLEON no asume ni autoriza que ninguna tercera parte asuma, en su nombre, otras responsabilidades con respecto a la venta de este producto.

NAPOLEON no se responsabiliza por: incendios excesivos, apagones causados por condiciones ambientales como vientos fuertes, o ventilación inadecuada.

NAPOLEON no se responsabiliza por los daños en la parrilla causados por condiciones meteorológicas, granizo, tratamiento inadecuado, productos de limpieza o químicos dañinos.

Se deberá realizar cualquier reclamo de la garantía de NAPOLEON con el recibo o copia del recibo de venta, así como con el número de serie y el número de modelo.

NAPOLEON se reserva el derecho de que su representante inspeccione cualquier producto o pieza antes de aceptar cualquier reclamo de la garantía.

NAPOLEON no se responsabiliza por los gastos de transporte, mano de obra ni aranceles de exportación.



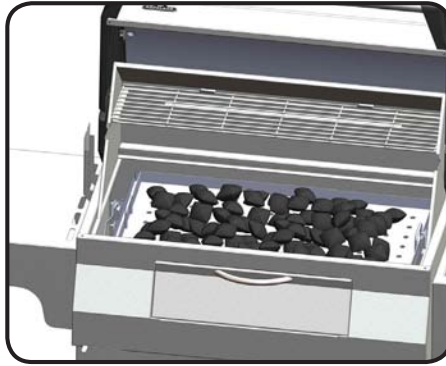
ADVERTENCIA! Si no sigue estas instrucciones, se podrían producir daños personales o en la propiedad, o incluso la muerte. Lea y siga todas las advertencias e instrucciones que se incluyen en este manual antes de utilizar la parrilla.

Procedimientos de seguridad durante el funcionamiento

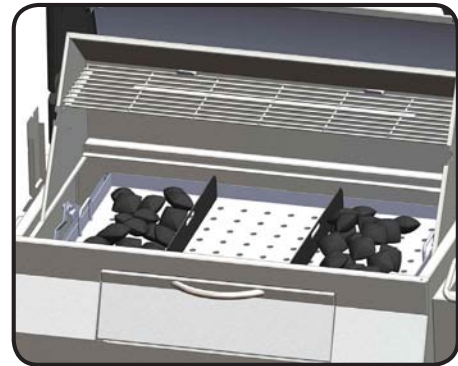
- Lea todas las instrucciones del manual antes de utilizar la barbacoa.
- No modifique nunca la barbacoa.
- Siga cuidadosamente las instrucciones de encendido cuando utilice la barbacoa.
- No prenda el carbón con la tapa cerrada.
- No se incline sobre la barbacoa al encenderla.
- El quemador trasero debe estar colocado sobre los soportes del interior de la tapa antes de proceder a su encendido.
- No utilice gasolina, ni alcohol, ni ninguna otra sustancia extremadamente volátil para prender el carbón. Utilice SOLAMENTE líquido para encendido que haya sido aprobado para prender carbón. Asegúrese de retirar cualquier líquido que se haya depositado en la parte inferior de la barbacoa antes de prender el carbón.
- No añada nunca líquido para encendido mientras las brasas estén calientes o tibias.
- Antes y después de cada uso, cierre el envase del líquido para encendido y guárdelo a una distancia de la barbacoa de, al menos, 7,6 m.
- Mantenga a los niños y a los animales domésticos alejados de la barbacoa mientras esté caliente. NO permita que los niños se metan en el armario de la barbacoa.
- No deje desatendida la barbacoa mientras está en funcionamiento.
- No mueva la barbacoa mientras esté caliente o en funcionamiento.
- No instale la barbacoa en vehículos o barcos de recreo.
- Utilice la barbacoa únicamente en zonas exteriores bien ventiladas. No utilice esta barbacoa en el interior de un edificio, un garaje, una terraza cubierta o un cenador, ni en ninguna otra zona cerrada.
- Mantenga los combustibles a una distancia adecuada (a 41 cm (16 in) de la parte posterior de la unidad y 18 cm (7 in) de los lados). También se recomienda mantener esta distancia cerca de revestimientos de vinilo u hojas de vidrio.
- Mantenga los orificios de ventilación del armario siempre sin residuos.
- No introduzca las manos en la barbacoa cuando regule la altura de la bandeja para carbón. Mantenga las manos y los dedos alejados del mecanismo de izado en todo momento.
- No utilice la unidad debajo de una construcción con materiales combustibles.
- No utilice la unidad debajo de construcciones techadas, como cubiertas de tejado, cocheras, marquesinas o voladizos.
- No coloque la barbacoa en lugares expuestos al viento. Un viento fuerte afecta al rendimiento de la barbacoa.
- Mantenga la tapa cerrada durante el precalentamiento.
- Tenga la bandeja para cenizas/grasa correctamente colocada mientras utilice la parrilla.
- Limpie la bandeja para cenizas/grasa periódicamente para evitar acumulaciones de grasa que puedan prender fuego.
- No utilice las repisas laterales para guardar encendedores, cerillas u otros objetos combustibles.
- Mantenga siempre la barbacoa en un terreno firme y plano.
- No utilice agua para controlar las llamaradas o apagar las brasas, ya que podría estropear el acabado de la barbacoa.
- Para controlar las llamaradas, cierre ligeramente los orificios de ventilación de la barbacoa. Para apagar totalmente las brasas o el fuego, cierre completamente todos los orificios de ventilación y la tapa.
- Utilice utensilios apropiados para cocinar a la parrilla, con mangos largos y resistentes al calor.
- Utilice manoplas para barbacoas o agarradores para protegerse las manos mientras cocina o ajusta los orificios de ventilación.
- No retire las cenizas de la barbacoa hasta que el carbón esté completamente apagado. Deje enfriar la barbacoa durante bastante tiempo.
- Retire el carbón y las cenizas restantes de la barbacoa y deposítelos en un recipiente metálico incombustible. Déjelos en el recipiente metálico durante 24 horas antes de desecharlos.
- Mantenga los cables de alimentación lejos del agua o de superficies calientes.
- Utilice siempre la barbacoa conforme a lo que disponga la normativa local.
- Proposición 65 del Estado de California: La combustión de carbón produce ciertos derivados, algunos de los cuales están incluidos en el listado de sustancias causantes de cáncer o daños reproductivos elaborado por el Estado de California. Cuando cocine con carbón, asegúrese de que la unidad esté bien ventilada para minimizar la exposición a dichas sustancias.

Instrucciones de encendido

COCCIÓN DIRECTA



COCCIÓN INDIRECTA



Uso de carbón

Método de cocción	Cantidad de briquetas recomendada
Cocción directa	100
Cocción indirecta	50 por lado *(Agregue 16 de cada lado para cada hora adicional de tiempo de cocción.)

*La cantidad de briquetas recomendada es aproximada. Se recomienda agregar briquetas para tiempos de cocción prolongados. En caso de clima más frío o más ventoso, se recomienda agregar más briquetas para lograr la temperatura de cocción ideal.

ADVERTENCIA! Abra la tapa.

ADVERTENCIA! Coloque la parrilla en un espacio exterior, sobre superficies firmes, llanas y no combustibles. Nunca utilice la parrilla sobre superficies de madera o inflamables.

ADVERTENCIA! No se incline sobre la parrilla cuando la encienda.

ADVERTENCIA! Mantenga la bandeja para cenizas en su lugar durante el encendido y mientras utiliza el artefacto.



ES

ENCENDIDO DE LA CÁMARA PRINCIPAL MÉTODO DE COCCIÓN DIRECTA	ENCENDIDO DE LA CÁMARA PRINCIPAL MÉTODO DE COCCIÓN INDIRECTA	ENCENDIDO DE LA CÁMARA POSTERIOR (QUEMADOR CON ASADOR)
1. Abra completamente la ventilación de la base. Abra la tapa de la barbacoa y retire las parrillas.	1. Abra completamente la ventilación de la base. Abra la tapa de la barbacoa y retire las parrillas.	1. Abra completamente la ventilación de la base.
2. Limpie la bandeja para cenizas después de usar la barbacoa y vuelva a instalarla.	2. Limpie la bandeja para cenizas después de usar la barbacoa y vuelva a instalarla.	2. Limpie la bandeja para cenizas después de usar la barbacoa y vuelva a instalarla.
3. Utilice el encendedor de carbón de la serie Ultra Chef (no incluido), tal y como se indica en las instrucciones del manual, o coloque unas pastillas de encendido o papel de periódico ligeramente arrugado en la bandeja para carbón. Haga un montón con el carbón en el centro de la unidad sobre el papel de periódico o las pastillas de encendido.	3. Coloque una bandeja recogegrasa en el centro de la bandeja para carbón. Enganche los separadores de carbón de la bandeja para carbón en cualquiera de los lados de la bandeja recogegrasa. Utilice el encendedor de carbón de la serie Ultra Chef (no incluido), tal y como se indica en las instrucciones del manual, o coloque unas pastillas de encendido o papel de periódico en la bandeja para carbón. Coloque el carbón dentro de los separadores sobre el papel de periódico o las pastillas de encendido.	3. Coloque unas pastillas de encendido o papel de periódico ligeramente arrugado en la cesta para carbón. No la llene demasiado. Retire la rejilla para mantener la comida caliente. Antes de encender la cámara posterior, asegúrese de que está en la posición correcta, colgando de los soportes de la campana.
4. Encienda el papel de periódico o las pastillas de encendido. Una vez que el carbón haya prendido totalmente, cierre la tapa y deje que el carbón arda hasta que quede cubierto de una capa fina de ceniza (20 min aproximadamente).	4. Encienda el papel de periódico o las pastillas de encendido. Una vez que el carbón haya prendido, cierre la tapa y deje que el carbón arda hasta que quede cubierto de una capa fina de ceniza (20 min aproximadamente).	4. Encienda el papel de periódico o las pastillas de encendido. Una vez que el carbón haya prendido, cierre la tapa y deje que el carbón arda hasta que quede cubierto de una capa fina de ceniza (20 min aproximadamente).
5. Utilice una pinzas con mangos largos y resistentes al calor para esparcir el carbón hasta que cubra uniformemente toda la bandeja.		5. Utilice una pinzas con mangos largos y resistentes al calor para esparcir el carbón uniformemente.



ADVERTENCIA! NO USE LA CÁMARA POSTERIOR SI ESTÁ UTILIZANDO LA CÁMARA PRINCIPAL.



Puede utilizar líquido combustible para encender el carbón, pero no recomendamos este método. El líquido de encendido es sucio y puede dejar un sabor químico en la comida si no se quema bien antes de cocinar. Una vez encendido el carbón, no agregue líquido combustible a la parrilla. Almacene el recipiente del líquido combustible a 7,6 m de la parrilla mientras esté en funcionamiento.

Procedimientos de seguridad durante el funcionamiento del encendedor de carbón



ADVERTENCIA!

- Solamente para uso en exteriores.
- Utilice el encendedor de carbón sobre una rejilla para carbón firme y nivelada, y en una parrilla sobre una superficie firme, llana y no combustible.
- No coloque el encendedor de carbón sobre superficies combustibles mientras esté caliente.
- No utilice líquido de encendido, gasolina ni carbón autoencendible en el encendedor de carbón.
- Utilice el encendedor de carbón solamente para encender carbón en parrilla a carbón.
- Siempre utilice guantes protectores para manipular el encendedor de carbón.
- Mantenga a los niños y animales alejados del encendedor de carbón en todo momento.
- No utilice el encendedor de carbón en zonas muy ventosas.
- No descuide el encendedor de carbón cuando está en funcionamiento.
- No se incline sobre el encendedor de carbón cuando encienda el artefacto.
- Nunca utilice el encendedor de carbón para otro uso que no sea el indicado. No utilice el encendedor de carbón para preparar comidas.
- Tenga extrema precaución cuando retire las brasas calientes del encendedor de carbón.

EL ENCEDEDOR DE CARBÓN



ES

Uso del encendedor de carbón

- Dé vuelta el encendedor de carbón.
- Coloque dos hojas de papel de periódico arrugadas en la parte inferior del encendedor de carbón.
- Dé vuelta el encendedor de carbón y colóquelo en el centro de la rejilla para carbón.
- Agregue una cantidad apropiada de carbón, pero no lo sobrecargue.
- Encienda un cerillo y colóquelo en uno de los orificios de ventilación de la parte inferior para encender el papel de periódico.
- Cuando la capa superior de carbón esté cubierta de cenizas, utilice guantes protectores y, con cuidado, vierta las brasas calientes sobre la rejilla para carbón (método de cocción directa) o en los canastos para carbón (método de cocción indirecta).
- Luego de colocar las brasas calientes en la parrilla, utilice pinzas con mangos largos y resistentes al calor para distribuir uniformemente el carbón.

Manual de cocina al carbón

El carbón es la forma tradicional de cocción que conocemos. Las briquetas emiten energía infrarroja a la comida que se está preparando, con poco efecto de secado. Los jugos y aceites que escapan de los alimentos gotean sobre el carbón y se evaporan para darle a la comida ese delicioso sabor de las brasas. Lo más importante es que la parrilla a carbón de Napoleon genera calor abrasador para la cocción de bistecs, hamburguesas y otras carnes más jugosas y sabrosas. Para conocer los tiempos de cocción y otras sugerencias, consulte el gráfico de cocción en parrilla a carbón.

El siguiente gráfico de cocción es solamente una guía. Los tiempos de cocción pueden alterarse a causa de la altitud, la temperatura exterior, el viento y el punto de cocción deseado que se reflejará en su tiempo de cocción. Utilice un termómetro para carnes para cocinar los alimentos de manera adecuada.

Gráfico de cocción en parrilla al carbón

Comida	Fuego directo/ indirecto	Tiempo de cocción	Sugerencias útiles
Bistecs 2,5 cm de espesor	Fuego directo	6-8 min.: medio	Cuando elija la carne para asar, pídala con vetas de grasa. La grasa actúa como un ablandador natural durante la cocción y mantiene la carne húmeda y jugosa.
Hamburguesas 1,5 cm de espesor	Fuego directo	6-8 min.: medio	La preparación de hamburguesas se facilita si se varía su espesor. Para agregar un sabor exótico a la carne, incorpore trozos de madera de nogal americano al carbón.
Trozos de pollo	Fuego directo: 2 min. de cada lado aprox. Fuego indirecto: 18-20 min. restantes	20-25 min.	Corte 3/4 partes de la articulación que une el muslo y la pata desde el lado sin piel para que la carne repose de manera plana sobre la parrilla. De este modo, la cocción será más rápida y uniforme. Para agregar un sabor característico a la comida, incorpore trozos de madera de mezquite al carbón.
Chuletas de cerdo	Fuego directo	10-15 min.	Retire el excedente de grasa antes de asar. Elija chuletas más gruesas para obtener una carne más tierna.
Costillas	Fuego directo: 5 min. Fuego indirecto: tiempo de cocción restante.	1,5-2 hs. Darlas vuelta con frecuencia.	Elija costillas magras y carnosas. Áselas hasta que la carne se desprenda fácilmente del hueso.
Chuletas de cordero	Fuego directo	25-30 min.	Retire el excedente de grasa antes de asar. Elija chuletas muy gruesas para obtener una carne más tierna.
Perros calientes	Fuego directo	4-6 min.	Seleccione las salchichas más grandes. Corte la piel de forma longitudinal antes de asar.

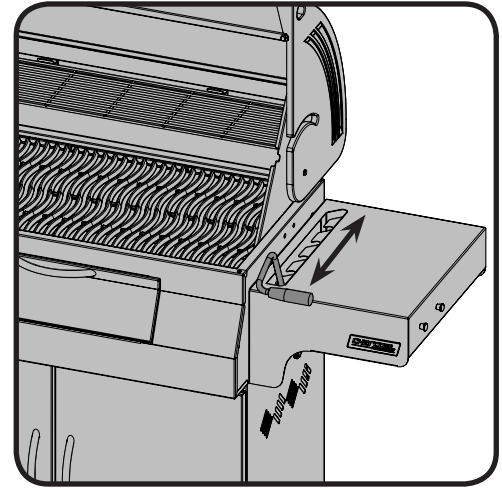
Instrucciones para cocinar

Encendido inicial: cuando se enciende por primera vez, la parrilla emite un ligero olor. Este olor es normal y temporario causado por el “quemado” de las pinturas y los lubricantes internos utilizados en el proceso de fabricación. No ocurrirá la próxima vez que encienda la parrilla. Simplemente mantenga la parrilla a fuego alto (HI) durante aproximadamente 30 minutos, con los orificios de ventilación de la tapa y de la base abiertos completamente.



ADVERTENCIA! No introduzca nunca las manos en la barbacoa cuando regule la altura de la bandeja para carbón. Mantenga las manos y los dedos siempre alejados del mecanismo de izado.

Uso de la parrilla: La bandeja para carbón cuenta con seis posiciones de funcionamiento. Para un uso óptimo, aconsejamos que se acople la bandeja para carbón en la posición más alta, lo más cerca posible de las parrillas. Puede reducirse la temperatura alejando la bandeja cuanto se quiera de la comida y cerrando los orificios de entrada de aire. Se recomienda precalentar la parrilla con la tapa cerrada durante aproximadamente 20 minutos. Las brasas están listas cuando tienen una capa de cenizas. Las comidas que necesitan períodos cortos de cocción (pescado, vegetales) se pueden asar con la tapa abierta. La cocción con la tapa cerrada garantiza temperaturas más altas y constantes que reducen el tiempo de cocción y permiten la cocción más uniforme de los alimentos. Al cocinar carnes muy magras, como pechugas de pollo o cerdo magro, lubrique con aceite las rejillas antes del precalentado para que la carne no se pegue. La cocción de carnes con un alto grado de contenido graso puede ocasionar llamaradas. Para evitarlo, quite la grasa o reduzca la temperatura. Si se producen llamaradas, aleje los alimentos de las llamas y reduzca la temperatura (cierre los orificios de ventilación). Deje la tapa abierta.



Como regla general, utilice 50 briquetas por kilo de carne. Si cocina durante más de 30 o 40 minutos, agregue briquetas al fuego. En caso de clima frío o ventoso, necesitará más briquetas para lograr la temperatura de cocción ideal.

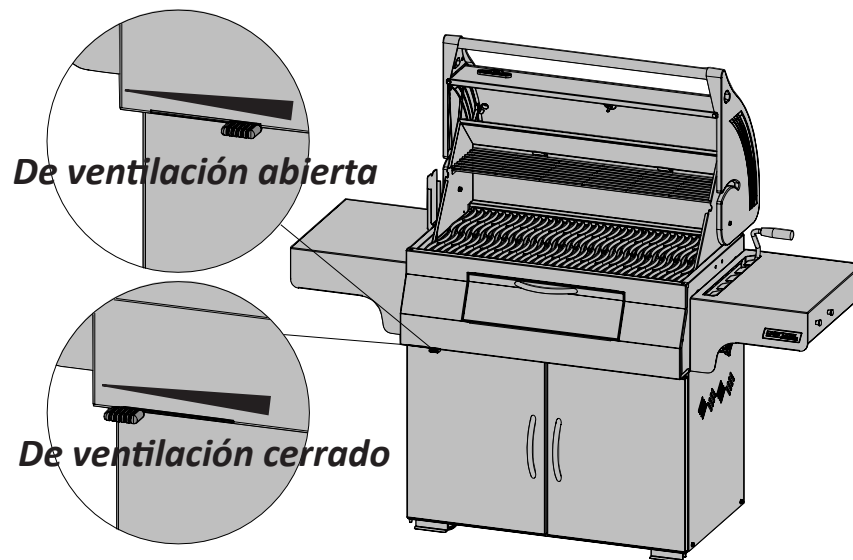
Agregar carbón durante la cocción: Tenga cuidado al agregar carbón en la parrilla. Cuando el carbón entra en contacto con aire fresco puede ocasionar llamaradas. Abra con cuidado la puerta situada en la parte frontal de la base. Aléjese y utilice pinzas de cocina con mangos largos y resistentes al calor para agregar briquetas de carbón.



ADVERTENCIA! Nunca incorpore líquido combustible en las brasas calientes o tibias. No se necesitan más líquidos luego de encender el carbón.

ES

Funcionamiento de los orificios de ventilación: Deje abiertos los orificios de ventilación para permitir que el aire ingrese en la parrilla. El aire aumenta la combustión de las brasas. Mueva las aberturas de los orificios de ventilación hacia la derecha o izquierda para regular la temperatura de la parrilla. Cierre completa o parcialmente los orificios de ventilación para enfriar las brasas. No cierre completamente los orificios de ventilación, tampoco los de la tapa, a menos que quiera reducir o apagar una llama.



Utilización de la cámara posterior (quemador con asador): Retire la rejilla para mantener los alimentos calientes antes de utilizar el quemador. También deben retirarse las parrillas si obstaculizan el funcionamiento del asador. Asegúrese de que la cámara posterior está colocada en los soportes situados en el interior de la tapa antes de encender la barbacoa. La cámara posterior está diseñada para utilizarse con el kit de asado (incluido en las unidades con quemador trasero), que puede adquirir en su distribuidor. Consulte las instrucciones de montaje del kit de asado. Para utilizar el contrapeso, quite el motor del asador de la barbacoa. Coloque la varilla con la carne que va a cocinar en los ganchos situados en el interior de la barbacoa. La carne quedará colgando con la parte más pesada hacia abajo. Apriete el brazo y la pesa del contrapeso para que el brazo quede mirando hacia arriba. Deslice el contrapeso hacia dentro o hacia fuera para contrarrestar el peso y apriételo para fijarlo en su sitio. Vuelva a colocar el motor y comience a cocinar. Coloque un plato debajo para recoger el jugo que puede usar para rociar la carne mientras se asa y hace una salsa exquisita. Se puede añadir líquido para rociar la carne conforme se necesite. Obtendrá mejores resultados si deja la tapa cerrada. Sus carnes y aves asadas quedarán perfectamente doradas por fuera y jugosas y tiernas por dentro.

Por ejemplo, un pollo de 1,5 kg se hace en el asador en aproximadamente 1 hora y media a una temperatura media-alta. Para añadir más briquetas de carbón durante la cocción, apártese a una distancia prudencial y use unas pinzas de cocina largas con mango resistente al calor.



ADVERTENCIA! Instale la cámara posterior solo cuando vaya a utilizarla.



ADVERTENCIA! Nunca eche líquido para encendido sobre ascuas de carbón calientes o tibias, una vez que el carbón ha prendido no es necesario usar más líquido.



Seguridad luego del uso

ADVERTENCIA! Siga detenidamente estas instrucciones de seguridad para protegerse usted y a su propiedad de los daños.

- Cierre la tapa de la parrilla y todos los orificios de ventilación para apagar el fuego.
- Deje enfriar la parrilla completamente antes de manipularla.
- Nunca descuide las brasas y cenizas de la parrilla. Asegúrese de que las brasas y cenizas se apaguen completamente antes de retirarlas de la parrilla.
- Utilice una espátula o pala de metal para retirar las brasas y cenizas de la parrilla. Colóquelas en un recipiente metálico no combustible y moje completamente con agua. Déjelas en el recipiente durante 24 horas antes de desecharlas.

Instrucciones de mantenimiento y limpieza

Se recomienda vaciar la bandeja para cenizas/de goteo luego de cada uso.



ADVERTENCIA! Asegúrese de que la parrilla esté completamente fría, y las brasas, apagadas antes de retirar cualquier parte de la parrilla.

ADVERTENCIA! Siempre utilice guantes y lentes protectores para limpiar la parrilla.

ADVERTENCIA! No utilice agua a presión para limpiar la parrilla.

ADVERTENCIA! Para evitar quemaduras, se debe realizar el mantenimiento cuando la parrilla esté fría. Evite el contacto, sin protección, con superficies calientes. Limpie la parrilla en un lugar donde los líquidos de limpieza no dañen terrazas, patios o el césped. No utilice limpiador para hornos para limpiar ninguna pieza de la parrilla. No utilice un horno con autolimpieza para limpiar las rejillas de cocción ni ninguna otra pieza de la parrilla. La salsa barbacoa y la sal pueden ser corrosivas y deteriorar rápidamente los componentes de la parrilla, a menos que se limpie con regularidad.

Rejillas y rejilla de calentamiento: el mejor método de limpieza de las rejillas y la rejilla de calentamiento es utilizar un cepillo con dientes de bronce durante el período de precalentamiento. El estropajo de aluminio se puede utilizar para limpiar manchas persistentes.

Limpieza del interior de la barbacoa: Retire las rejillas de cocción. Utilice un cepillo con cerdas de latón para desprender los residuos de los laterales del forjado y del interior de la tapa. Raspe el interior de la base con una espátula o un raspador, y utilice un cepillo con cerdas metálicas para quitar la ceniza. Eche todos los residuos del interior de la barbacoa a la bandeja para cenizas/grasa extraíble. Si quiere limpiar el interior de la barbacoa, puede lavarlo con agua y un detergente suave. Aclárelo bien con agua limpia y séquelo con un trapo.



ADVERTENCIA! La grasa acumulada es un peligro de incendio. Limpie la bandeja de goteo después de cada uso para evitar que la grasa se acumule.

Bandeja para cenizas/de goteo: las cenizas y las gotas sobrantes o de grasa quedan en la bandeja para cenizas/de goteo ubicada debajo de la parrilla a carbón, y se acumulan. Para limpiar, deslice la bandeja hasta retirarla completamente de la parrilla. Nunca cubra la bandeja con papel de aluminio, arena ni ningún otro material, ya que esto podría evitar la circulación correcta de la grasa. Raspe la bandeja con una espátula o raspador, y arroje los residuos en un recipiente metálico no combustible. Limpie la bandeja para cenizas/de goteo con detergente suave y agua. Enjuague bien con agua limpia y seque.

Limpieza de la superficie exterior de la parrilla: no utilice limpiadores abrasivos ni estropajo en piezas pintadas, de porcelana o acero inoxidable de la parrilla Napoleon. De lo contrario, rayará el acabado de la unidad. Limpie las superficies exteriores de la parrilla con agua templada y jabón mientras el metal está aún caliente al tacto. Para limpiar superficies de acero inoxidable, utilice un limpiador de acero inoxidable o no abrasivo. Aplique siempre el limpiador en la dirección del grano. Con el tiempo, las piezas de acero inoxidable se decoloran con el calor, adquiriendo normalmente un tono dorado o marrón. Esta decoloración es normal y no afecta al rendimiento de la parrilla. Los componentes esmaltados de porcelana se deben tratar con especial cuidado. El acabado de esmalte horneado es similar al vidrio, por lo que se picará si sufre un golpe. Puede solicitar esmalte para retoques a su proveedor de la parrilla Napoleon.

ES

Solución de problemas

Problema	Causas posibles	Solución
La temperatura o la intensidad de llama son bajas.	<p>Pre calentamiento inadecuado.</p> <p>Flujo de aire insuficiente.</p> <p>Cantidad insuficiente de carbón.</p> <p>Colocación inadecuada de la bandeja para carbón.</p>	<p>Deje que el carbón arda hasta que quede recubierto de una capa fina de ceniza. (Generalmente, 20-25 min).</p> <p>Abra los orificios de ventilación.</p> <p>Agregue más carbón a la bandeja para carbón.</p> <p>Suba la bandeja a la posición más alta.</p>
Grandes llamaradas / temperatura irregular.	<p>Pre calentamiento inadecuado.</p> <p>Acumulación excesiva de grasa y ceniza en la bandeja para ceniza/grasa.</p> <p>Colocación inadecuada de la bandeja para carbón.</p>	<p>Pre caliente el horno con la tapa cerrada durante 20-25 min.</p> <p>Limpie la bandeja para ceniza/ceniza periódicamente. No cubra nunca la bandeja con papel de aluminio. Consulte las instrucciones de limpieza.</p> <p>Baje la bandeja a la posición más baja.</p>
La "pintura" parece desconcharse en el interior de la tapa o la campana.	<p>Acumulación de grasa en las superficies internas.</p>	<p>No es un defecto. El acabado de la tapa y la campana es de acero inoxidable y no se desconcha. El desconchado se produce por causa de la grasa endurecida que se seca en forma de fragmentos con aspecto de pintura, que se descascarillan. Para evitar este problema, realice una limpieza asiduamente. Consulte las instrucciones de limpieza.</p>

Resumen de la cocción en parrilla a carbón.

Encendido de la parrilla

- Antes de cocinar por primera vez, se recomienda mantener la parrilla a fuego alto (HI) durante 30 minutos, con los orificios de ventilación de la base abiertos completamente. De esta manera, se quemará cualquier lubricante utilizado en el proceso de fabricación.
- Cada vez que encienda la parrilla, abra completamente los orificios de ventilación de la base.
- Asegúrese de que la bandeja para cenizas esté limpia y vuelva a instalarla.
- Utilice el encendedor de carbón de la serie Ultra Chef (no incluido), como lo indican las instrucciones del manual. Coloque el carbón en forma de pirámide en el centro de la unidad (método de cocción directa) o en los canastos para carbón opcionales (método de cocción indirecta).
- Una vez encendida la unidad, cierre la tapa y permita que el carbón se queme hasta que quede cubierto de cenizas (aproximadamente 20 minutos), y distribuya el carbón con pinzas con mangos resistentes al calor de acuerdo al método de cocción que realice.
- Puede utilizar líquido combustible para encender el carbón, pero no recomendamos este método. El líquido de encendido es sucio y puede dejar un sabor químico en la comida si no se quema bien antes de cocinar. Una vez encendido el carbón, no agregue líquido combustible a la parrilla. Almacene el recipiente del líquido combustible a 7,6 m de la parrilla en funcionamiento.
- Se puede lograr un sabor ahumado si se agregan trozos de madera de distintos sabores suministrados por el distribuidor de Napoleon.

Cocción en la parrilla

- Se recomienda precalentar la parrilla con la tapa cerrada durante aproximadamente 20 minutos. Las brasas están listas cuando tienen una capa de cenizas.
- Como regla general, utilice 50 briquetas por kilo de carne. Si cocina durante más de 30 o 40 minutos, agregue briquetas al fuego. En caso de clima frío o ventoso, necesitará más briquetas para lograr la temperatura de cocción ideal.
- Tenga cuidado al agregar carbón en la parrilla. Cuando el carbón entra en contacto con aire fresco puede ocasionar llamaradas. Aléjese y utilice pinzas de cocina con mangos largos y resistentes al calor para agregar briquetas de carbón.
- Deje abiertos los orificios de ventilación para permitir que el aire ingrese en la parrilla. El aire aumenta la combustión de las brasas. Mueva las aberturas de los orificios de ventilación hacia la derecha o izquierda para regular la temperatura de la parrilla.
- Deje que los alimentos se cocinen con la tapa cerrada. Cada vez que retira la tapa, la temperatura desciende. En estos casos, se necesita un tiempo de cocción más prolongado.
- Cierre completa o parcialmente los orificios de ventilación para enfriar las brasas. No cierre completamente los orificios de ventilación, a menos que quiera reducir o apagar una llama.
- Lubrique con aceite las rejillas antes del precalentado para que los alimentos no se peguen.
- Utilice un termómetro para carnes para cocinar los alimentos de manera adecuada.

Limpieza de la parrilla

- Cierre la tapa de la parrilla y todos los orificios de ventilación para apagar el fuego.
- Deje enfriar la parrilla completamente antes de manipularla.
- Nunca descuide las brasas y cenizas de la parrilla. Asegúrese de que las brasas y cenizas se apaguen completamente antes de retirarlas de la parrilla.
- Utilice una espátula o pala de metal para retirar las brasas y cenizas de la parrilla. Colóquelas en un recipiente metálico no combustible y moje completamente con agua. Déjelas en el recipiente durante 24 horas antes de desecharlas.
- Utilice un cepillo con dientes de bronce para limpiar los restos sueltos en el tazón y en el interior de la tapa.
- Limpie el interior de la parrilla con un detergente suave y agua. Enjuague bien con agua limpia y seque.
- Utilice con extremo cuidado los componentes esmaltados de porcelana. El acabado esmaltado al horno es similar al vidrio y se descascara si se golpea. Solicite el esmalte para retoques a su distribuidor de la parrilla Napoleon.

CONSERVE SU FACTURA COMO PRUEBA DE COMPRA PARA VALIDAR SU GARANTÍA.

Solicitud de piezas de recambio

Información de la garantía

MODELO: _____

FECHA DE COMPRA: _____

NÚMERO DE SERIE: _____

(Registre la información aquí para poder recurrir a ella fácilmente cuando lo necesite)

Antes de ponerse en contacto con el departamento de atención al cliente, consulte el sitio Web de NAC para obtener instrucciones más detalladas sobre limpieza, mantenimiento, solución de problemas y recambio de piezas: www.napoleongrills.com. Póngase en contacto directamente con la empresa para obtener piezas de recambio y para realizar reclamaciones de la garantía. Nuestro departamento de atención al cliente está disponible de 9:00 a 17:00 (hora estándar oriental) en el número 1-866-820-8686, o por fax en el número: 1-705-727-4282. Para procesar una reclamación, necesitamos que nos proporcione la siguiente información:

1. Modelo y número de serie de la unidad.
2. Número y descripción de la pieza.
3. Descripción precisa del problema ("roto" no es suficiente).
4. Prueba de compra (fotocopia de la factura).

En determinados casos, el representante de atención al cliente podrá solicitar que las piezas sean devueltas a la fábrica para su inspección antes de proporcionar las piezas de recambio. Estas piezas deberán ser enviadas previamente pagadas a la atención del departamento de atención al cliente con la siguiente información adjunta:

1. Modelo y número de serie de la unidad.
2. Descripción precisa del problema ("roto" no es suficiente).
3. Prueba de compra (fotocopia de la factura).
4. Número de autorización de devolución, proporcionado por el representante de atención al cliente.

Antes de ponerse en contacto con el servicio de atención al cliente, tenga en cuenta que la garantía no cubre los elementos siguientes:

Costes de transporte, rotura o impuestos de exportación.

Costes de mano de obra para extracción y reinstalación.

Costes de llamadas de servicio para diagnosticar problemas.

Decoloración de las piezas de acero inoxidable.

Fallo de las piezas por falta de limpieza y mantenimiento, o uso no adecuado de limpiadores (limpiador de hornos).



FAX TO: 705 727 4282

FORMULARIO DE SOLICITUD DE ACCESORIOS Y PIEZAS

ESCRIBA CON LETRA CLARA Y LEGIBLE

NOMBRE DE CONTACTO: _____

CORREO ELECTRÓNICO: _____

TEL.: _____

FAX : _____

EMAIL: _____

Nº DE VISA O MASTERCARD: _____ **FECHA DE CADUCIDAD:** _____

FIRMA: _____

CANTIDAD	NÚMERO DE PIEZA	DESCRIPCIÓN

PUEDE QUE SE APLIQUEN
IMPUESTOS GASTOS DE ENVÍO

SI REQUIERE CONFIRMACIÓN, INCLUYA UN NÚMERO DE FAX O UNA DIRECCIÓN DE CORREO ELECTRÓNICO

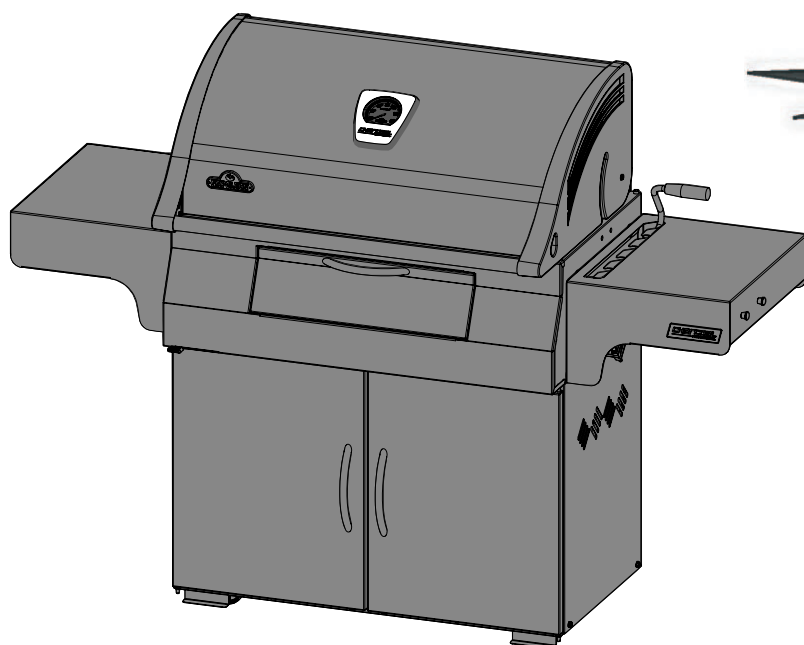
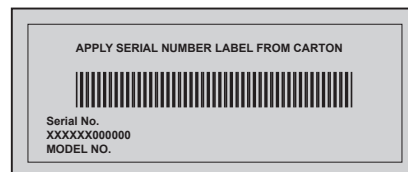
ES

ES

BRUKS- OCH MONTERINGSANVISNING

DENNA GRILL FÅR ENDAST ANVÄNDAS UTOMHUS I ETT VÄLVENTILERAT UTRYMME
BEHÅLL DENNA ANVISNING FÖR FRAMTIDA BRUK

KOLGRILL FÖR UTOMHUSBRUK



PRO605CSS

SE



VARNING

Läs noggrant igenom hela anvisningen innan ni börjar använda grillen.



FARA

Grillning med kol avger kolmonoxid. Grilla inte med kol/briketter inomhus i garage, tält, fordon eller i annat slutet utrymme.



VARNING! Följs inte denna instruktion exakt kan brand uppstå vilket kan orsaka allvarlig skada.

Napoleon Appliance Corp.,

214 Bayview Dr, Barrie, Ontario, Canada L4N 4Y8 Phone: 1-866-820-8686

Fax: (705)725-2564 email: wecare@napoleonproducts.com web site: www.napoleongrills.com

Tack för att du valde NAPOLEON

NAPOLEON produkter är utformade med komponenter och material av högsta kvalitet, fabriksmonterade av vår kunniga personal. Denna grill har inspekteras grundligt av en kvalificerad tekniker innan förpackning och frakt för att du som kund ska få den kvalitetsprodukt du förväntar dig av NAPOLEON.

Som kund är du mycket viktig för oss på Napoleon. Det är vårt mål att förse dig med de verktyg som krävs för en oförglömlig grillupplevelse. Denna manual har vi tagit fram för att hjälpa dig så att din nya grill monteras, installeras, underhålls och vårdas på rätt sätt. Det är viktigt att du läser och förstår hela denna manual innan du använder din nya grill så att du till fullo förstår alla säkerhetsföreskrifter och funktioner din grill har att erbjuda. Genom att noggrant följa dessa anvisningar, kommer du under många år att njuta av bekymmersfri grillning. Om denna produkt av någon anledning inte uppfyller dina förväntningar ber vi dig ta kontakt med din återförsäljare eller kontakta oss direkt på Scandinavisk Spismiljö. www.napoleongrills.com.



NAPOLEON GRILL PRESIDENT'S LIMITED LIFETIME WARRANTY

NAPOLEON lämnar garanti på följande material och utförande i din nya NAPOLEON grill mot defekter så länge du äger grillen. Detta omfattar porslinsemaljerad bas, porslinsemaljerat lock, handtag, med förbehåll för följande villkor: Under de första tio år kommer NAPOLEON att tillhandahålla reservdelar efter vårt val gratis. Från det elfte året till livstid kommer NAPOLEON att tillhandahålla reservdelar till 50% av aktuell prislista.

Komponenter såsom sidohyllor, vagnsben och vagnspaneler täcks också av garantin och dessa delar kommer att ersättas av nya från NAPOLEON utan kostnad under de första fem åren.

Alla andra komponenter inklusive stekgaller, träkolsroster, luftriktare, asklåda, termometer, värmegaller, hjul, fästen och tillbehör täcks också av garantin och dessa delar kommer att ersättas av nya från NAPOLEON utan kostnad under det första året.

NAPOLEON ansvarar inte för eventuella transportkostnader, kostnader för arbetskraft eller exporttullar.

VILLKOR OCH BEGRÄNSNINGAR

"NAPOLEON lämnar en garanti mot tillverkningsfel enbart mot den första ägaren (dvs individ eller juridisk person (registrerad kund) vars namn är registrerat på NAPOLEON garanti kort), förutsett att köpet är gjort genom en auktoriserad återförsäljare av NAPOLEON och uppfyller följande villkor och bestämmelser:"

Denna fabriksgaranti får inte överlåtas och får inte under några omständigheter förlängas av någon av våra representanter. Installationen måste vara gjord i enlighet med den instruktion som medföljer denna produkt och de bestämmelser som gäller lokalt och nationellt för denna typ av produkter.

Garantin gäller inte skador orsakade av felanvändning, brist på underhåll, eld orsakad av fett, skadlig miljö, olycka, ändringar, våld, försummelse eller montering av delar från andra tillverkare kommer att upphäva garantin.

Vidare täcker inte garantin skrapmärken, bucklor, färg finish, korrosion eller missfärgning pga hetta, slipande eller kemiska rengöringsmedel, frakt av porslinsemaljerade detaljer, ej heller komponenter använda för att installera grillen.

Skulle en del, som täcks av garantin, försämrats så att den upphör att fungera kommer den att ersättas.

Enbart under det första året täcker garantin materialfel eller tillverkningsfel under förutsättning att produkten har använts i enlighet med denna manual och under normala omständigheter.

Efter detta första år, med hänvisning till President's Limited Lifetime Warranty, kommer NAPOLEON efter eget omdöme fullt ut infria sina skyldigheter i enlighet med denna garanti och ersätta original köparen i enlighet med gällande återförsäljarpris för de delar som omfattas av garantin och är felaktiga.

NAPOLEON ansvarar inte för några arbetskostnader eller andra utgifter relaterade till utbytet av garantidel, dylika kostnader täcks inte av garantin.

Trots de villkor som denna garanti innehåller är NAPOLEONS ansvar under denna garanti definierad enligt ovan och kan inte under några förhållanden förlängas pga någon tillfällig eller indirekt skada.

Denna garanti beskriver NAPOLEONS skyldigheter och ansvar med avseende på NAPOLEON grillar och andra garantier yttryckta eller implimenterade med denna produkt, dess beståndsdelar eller tillbehör är undantagna.

NAPOLEON tar inte på sig, eller auktoriserar någon tredje part att ta på sig, något annat ansvar i förening med försäljning av denna produkt. NAPOLEON tar inte ansvar för; för hård eldning, att elden slocknar pga yttre omständigheter som stark vind eller otillräcklig ventilation.

NAPOLEON tar inte på sig ansvar för skador på grillen orsakade av väder, hagel, tuff behandling, skadliga kemikalier eller rengöringsmedel.

Vid återopande av NAPOLEON garanti måste fakturan eller kvittot av köpet tillsammans med serienumret och modellnumret visas upp. Garantisedeln måste returneras inom 14 dagar för att registrera garantin eller också kan du registrera on-line på www.napoleongrills.com.

NAPOLEON reserverar sig för rätten att låta en representant inspektera en produkt eller del som reklamerats.

NAPOLEON kan inte hållas ansvarig för några transportkostnader, arbetskostnader eller kostnader i samband med export.



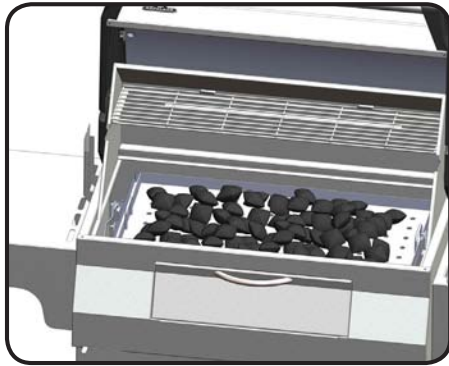
WARNING! Om instruktionerna inte efterföljs, kan detta resultera i egendomsskada, personskada eller dödsfall. Läs och följ alla varningar och instruktioner i denna handbok innan grillen används.

För din säkerhet

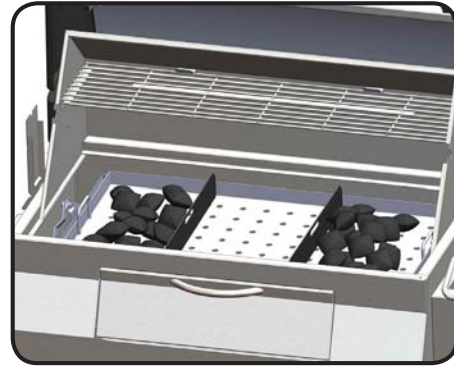
- Läs hela bruksanvisningen innan du använder grillen.
- Under inga omständigheter får denna grill modifieras.
- Följ upptändnings instruktionerna noga innan du börjar använda grillen.
- Antänd inte grillkolen med locket stängt.
- Luta dig inte över grillen när du tänder.
- Använd inte bensin, alkohol eller andra lättflyktiga vätskor för att antända kolen. Använd ENDAST tändvätska avsedd för grillkol. Se till att ingen överbliven vätska ligger kvar i botten av grillen när du tänder.
- Tändvätska får aldrig sprutas på i efterhand på heta eller ens varma kol.
- Förvara aldrig tändvätska i närheten av grillen, se till att du har ett ordentligt säkerhets-avstånd (min 7,5 m).
- Håll barn och husdjur borta från en het grill.
- Lämna inte grillen utan uppsikt under användning.
- Flytta inte grillen när den är varm eller under drift.
- Denna grill får inte installeras i eller på fritidsfordon och / eller båtar.
- Denna grill får endast användas utomhus i ett väl ventilerat utrymme och får inte användas inne i en byggnad, garage, inbyggd altan, lusthus eller annat slutet utrymme.
- Håll rätt avstånd till brännbara material, 1,5 m åt alla sidor. Detta avstånd gäller också plastbeklädnad eller glasrutor. Grillen får inte användas på brännbart underlag (trä, kompositdäck eller verandor).
- Håll alltid ventilationsöppningar i kåpan fria från skräp.
- Använd inte grillen under några utskjutande tak som taktäckningar, carportar, markiser eller annat överhäng av brännbart material.
- Placera inte grillen på en plats utsatt för vind. Kraftig vind kan påverka tillagningens prestanda negativt.
- Locket ska vara stängt under uppvärmning.
- Ask- droppbehållare måste finnas på plats när du använder grillen.
- Rengör ask- droppbehållaren regelbundet, en fettpåbyggnad kan leda till att fett tar eld.
- Använd inte sidohyllan för att förvara tändare, tändstickor eller andra brännbara material.
- Grillen skall alltid stå på plan mark
- Använd inte vatten för att kontrollera uppflammande lågor eller för att släcka kol, eftersom det kan skada finishen på din grill.
- För att kontrollera uppflammande lågor, stänger till ventilerna på din grill. För att helt släcka grill kolen / brand, stäng alla ventiler och locket helt.
- Använd rätt grillverktyg med långa, värmetåliga handtag.
- Använd grillvantar eller grytlappar för att skydda händerna under matlagning eller när du justerar ventilerna.
- Ta inte bort askan från grillen innan allt kol är helt utbränd och helt släckt. Ge grillen gott om tid att svalna.
- Återstående kol och aska skall avlägsnas från grillen och förvaras i en obrännbar behållare av metall. Släng inte innehållet förrän tidigast ett dygn efter det slocknat.
- Håll elkablar borta från vatten eller heta ytor.

Instruktioner för tändning

DIREKT TILLAGNING



INDIREKT TILLAGNING



Åtgång kol/briketter

Tillagnings metod	Rekommenderad åtgång
Direkt tillagning	100
Indirekt tillagning	50 per sida *(lägg till 16 per sida för varje timme tillagningstid ytterliggare)

* Rekommendationen är ungefärlig, vid längre tillagningstid måste mer kol användas. Likaså vid kall eller blåsig väderlek, då det krävs mer kol för att hålla en ideal tillagnings temperatur.



WARNING! Öppna locket

WARNING! Placera grillen utomhus på en stabil, jämn och obrännbar yta. Använd aldrig grillen på en träyta eller annan yta som kan brinna.

WARNING! Luta dig inte över grillen när du tänder den.

WARNING! Asklådan måste vara på plats vid upptändning och under användning.

SE

UPPTÄNDNING I GRILLTRÅGET TILLAGNING ÖVER DIREKT VÄRME	UPPTÄNDNING I GRILLTRÅGET TILLAGNING INDIREKT VÄRME	UPPTÄNDNING BAKRE BRÄNNARE (ROTISSERIE)
1. Öppna ventilen i botten fullt. Öppna locket och ta bort grillgallren.	1. Öppna ventilen i botten fullt. Öppna locket och ta bort grillgallren.	1. Öppna ventilen i botten fullt.
2. Se till att askbehållaren är rensad från gammal aska och sätt tillbaka den på plats.	2. Se till att askbehållaren är rensad från gammal aska och sätt tillbaka den på plats.	2. Se till att askbehållaren är rensad från gammal aska och sätt tillbaka den på plats.
3. Använd antingen en Ultrachef skorstenständare (ingår ej) enligt instruktion i manualen eller placera upptändningskuddar eller lätt skrynkade tidningspapper i botten på tråget. Placera grillkol/briketter i en konformad hög i mitten av enheten ovanpå tidningen eller upptändningskuddarna.	3. Ställ en droppskål i mitten av grillkolstråget. Placera en kolavgränsare på vardera sidan droppskålen. Använd antingen en Ultrachef skorstenständare (ingår ej) enligt instruktion i manualen eller placera upptändningskuddar eller lätt skrynkade tidningspapper i facket på vardera sidan om droppskålen. Dela upp grillkol/briketter i en konformad hög ovanpå tidningen eller upptändningskuddarna i facken.	3. Placera upptändningskuddar eller lätt skrynkade tidningspapper i grillkolskorgen. Lägg inte i för mycket. Ta bort varmhållningsgallret. Kontrollera att grillkorgen hänger korrekt i upphängningen innan du antänder kolen.
4. Tänd tidningen eller kuddarna. När det brinner, stäng locket och låt grillkolen brinna tills dom är täckta av en ljusgrå aska (ca 20 minuter).	4. Tänd tidningen eller kuddarna. När det brinner, stäng locket och låt grillkolen brinna tills dom är täckta av en ljusgrå aska (ca 20 minuter).	4. Tänd tidningen eller kuddarna. När det brinner, stäng locket och låt grillkolen brinna tills dom är täckta av en ljusgrå aska (ca 20 minuter).
5. Använd verktyg med långa värmetåliga handtag, sprid kolen till att jämnt täcke över hela botten		5. Använd verktyg med långa värmetåliga handtag, sprid ut kolen jämnt



WARNING! ANVÄND INTE ROTISSERIE BRÄNNAREN OCH GRILLKOLSTRÅGET SAMTIDIGT



Tändvätska kan användas för att antända grillkol, men det är inte den bästa metoden. Det kan vara kladdigt och kan lämna en kemisk smak på maten om det inte helt bränns bort före tillagning. Om du använt tändvätska, spruta aldrig på mer efter tändning. Förvara flaskan minst 7,5 m från grillen vid användning.

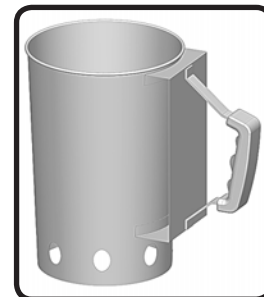


Säkerhetsanvisning för grillkolständare

VARNING!

- För användning utomhus.
- Använd inte grillkolständare om det inte placeras på ett fast, plant kolgaller och kolgrillen på ett fast, plant, icke brännbart underlag.
- Placera inte grillkolständaren på en brännbar yta om den inte är helt kall.
- Använd aldrig tändvätska, bensin eller annan antändlig vätska i grillkolständaren.
- Använd endast grillkolständare för att tända grillkol till din kolgrill.
- Använd alltid grillvantar vid hantering av grillkolständaren.
- Håll barn och husdjur borta från grillkolständaren hela tiden.
- Använd inte grillkolständaren i hård vind.
- Lämna inte grillkolständaren obevakad under användning.
- Luta dig inte över grillkolständaren vid upptändning.
- Använd aldrig grillkolständaren för annat än avsett ändamål. Använd inte grillkolständaren för att tillaga mat.
- Var mycket försiktig när du håller glödande kol ur grillkolständaren.

GRILLKOLSTÄNDARE



Användning av grillkolständare

- Vänd grillkolständaren upp och ner.
- Ta två tidningssidor och skrynkla ihop och stoppa dom i botten av grillkolständaren.
- Vänd tillbaka grillkolständaren och placera den i mitten av grillkolsgallret.
- Lägg i lämplig mängd grillkol, men överfyll den inte.
- Tänd en tändsticka och sätt i en av de nedre luftintagen för att antända tidningen.
- När översta lagret av kol har en ljus beläggning av grå aska är kolen färdiga att hälla över på grillkolsgallret, använd grillvantar. Häll försiktigt de glödande kolen direkt på bottengallret (direkt tillagning) eller placera kolen i korgarna (indirekta metoden).
- Sprid ut de glödande kolen jämnt med hjälp av en tång med långt, värmetåligt handtag.

Tillagnings guide för grillning

Att grilla med träkol är det traditionella sättet vi känner till. De glödande kolen avger infraröd energi till maten som tillagas med mycket liten uttorkning. All olja eller köttsaft som droppar från maten hamnar på kolen och förångas i rök som ger maten den läckra grillade smaken. Napoleons kolgrill ger värme som tillsluter köttet för saftigare, godare biffar, hamburgare och annat kött. Tillagningstider och tips finns i diagrammet nedan.

Följande grillnings diagram är tänkt att endast vara en riktlinje. Matlagnings tider påverkas av faktorer såsom höjd, utetemperatur, vind, och hur du vill ha din mat tillagad, vilket kommer att återspeglas i din matlagnings tid. Använd en stektermometer i köttet för att säkerställa att maten är färdig.

Diagram för kolgrillning

Mat	Direkt/indirekt Värme	Tillagningstid	Andvändbara tips
Biff 2,5 cm tjock	Direkt värme	6-8 min.– Medium	När du väljer kött för grillning, fråga efter marmorat kött. Fettet fungerar som ett naturligt mörningsmedel under matlagning och håller den fuktig och saftig.
Hamburgare Ca 1,5 cm tjock	Direkt värme	6-8 min.– Medium	Hur man vill ha sin hamburgare underlättas genom att variera tjockleken på dina biffar. För att lägga till en exotisk smak på ditt kött, testa hickory rökspån på grillkolen.
Kycklingdelar	Direkt värme i ca 2 min. på vardera sidan. Indirekt värme för återstående 18-20 min.	20-25 min.	Skär gärna upp tjockare partier och vik ut köttet. Detta hjälper till att laga maten snabbare och jämnare. För att lägga till en egen smak till din matlagning, prova att lägga till Mesquite rökspån på grillkolen.
Fläskkotlett	Direkt värme	10-15 min.	Ta bort onödigt fett innan grillning. Välj tjockare kotletter för saftigare och rikare smak.
Revben	Direkt värme i 5 min. Indirekt värme tills de är färdiga.	1,5 – 2 timmar, vänd ofta	Välj revben som är magra och köttiga. Grilla tills köttet lossnar lätt från benen.
Lammkotletter	Direkt värme	25-30 min.	Ta bort onödigt fett innan grillning. Välj extra tjocka kotletter för saftigare och rikare smak.
Varm korv	Direkt värme	4-6 min.	Välj helst tjockare wienerkorv. Snitta skinnet längs med innan grillning.

Instruktioner för tillagning

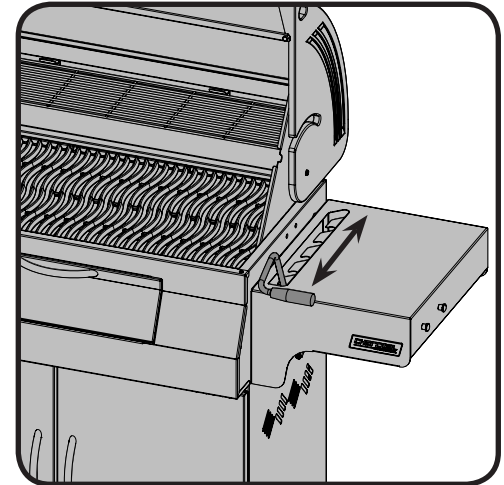
Första upptändning: Grillen kan avge en svag lukt första gången den används. Detta är normalt då fett och färgresten som används i tillverkningsprocessen bränns av. Bränn ur grillen i ca 30 min på hög värme med locket av och alla ventiler fullt öppna så försvinner denna lukt.



WARNING! Placera aldrig händerna på insidan av grillen under tiden du justerar höjden på grillkolstråget. Håll alltid händer och fingrar borta från lyftanordningen.

Användning av huvud grilltråget: Grilltråget kan justeras i sex olika nivåer. För optimal användning rekommenderar vi att grilltråget låses i högsta läget så nära grillgallren som möjligt. Om tråget sänks från maten och ventilen skjuts till sänks temperaturen.

Vi rekommenderar att grillen förvärms genom att den får stå på i cirka 20 minuter innan användning. Kolen/briketterna är färdia när dom är täckta av ett fint lager grå aska. Mat som ska tillagas snabbt, som fisk och grönsaker, kan tillagas med locket öppet. Tillagning med stängt lock ger en högre och jämnare temperatur som minskar tillagningstiden och tillagar maten mer jämnt. När man tillagar magert kött, som kycklingbröst eller magert fläsk, kan gallret oljas innan så inte köttet fastnar. Kött med högt fettinnehåll kan orsaka uppflamning. Detta kan förhindras genom att överflödigt fett tas bort innan tillagning eller att temperaturen minskas. Om uppflamning sker ska maten tas åt sidan och värmen minskas, skjut till ventilen och lämna locket öppet.



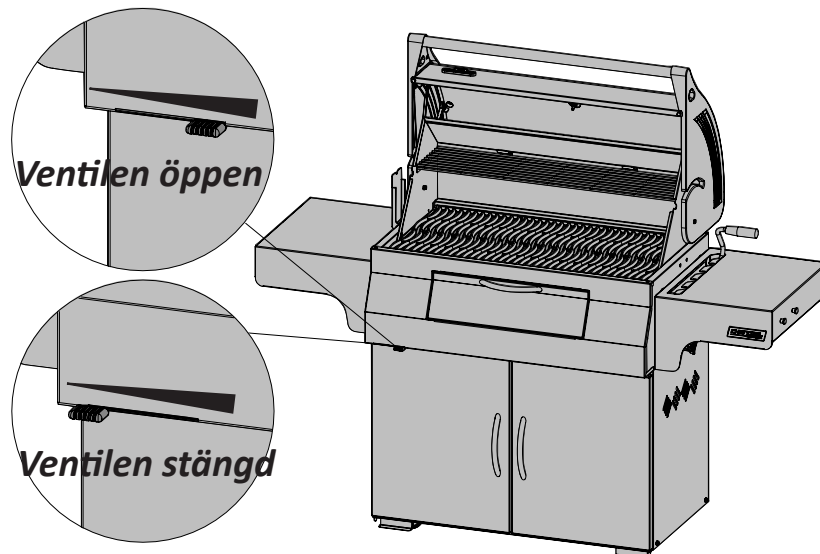
En tumregel är att det går åt cirka 100 briketter för att laga till 2 kg kött. Om tillagningstiden blir längre än 30 till 40 minuter behöver ytterligare briketter användas. Om grillen används när det är kyligt eller blåsigt väder går det åt mer briketter för att nå rätt temperatur.

Att fylla på kol/briketter under tillagning: Var försiktig när du fyller på kol. Det kan flamma upp lågor när kolen kommer i kontakt med luften. Öppna försiktigt påfyllnadsluckan på fronten. Håll ett säkert avstånd och använd ett långt verktyg med värmetåligt skaft för att fylla på kol.



WARNING! Använd aldrig tändvätska på heta eller varma kol. När väl kolen är antänd behövs inte mer tändvätska.

Användning av ventilen: Ventilen lämnas normalt öppen för att släppa in luft till grillen. Luft ökar temperaturen på kolen. Du kan reglera grillens temperatur genom att föra reglaget på ventilen åt höger eller vänster. Att stänga ventilen helt eller delvis hjälper till att sänka temperaturen på kolen. Stäng inte ventilen helt om du inte är ute efter att kyla ner eller släcka uppflammande lågor.



SE

Användning av rotisseri brännaren: Ta bort varmhållningsgallret innan användning. Grillgallren kan också behöva tas bort om dom är i vägen för rotisseriet. Kontrollera att grillkolskorgen sitter ordentligt på plats i sina fästen innan upptändning. Rotisserie brännaren är konstruerad för att användas tillsammans med ett rotisserie set som finns som tillval till denna grill. Se anvisning för rotisserie setet. För att använda motbalansen ska rotisserie motorn först tas bort. Placera grillspettet med maten som ska tillagas på plats i grillen, maten kommer då naturligt att hänga med den tyngsta delen nedåt. Fäst motbalansen på stången så att armen pekar uppåt. Dra motvikten uppåt eller nedåt tills en balans uppnåtts och fäst den på plats. Sätt tillbaka motorn och börja tillagningen. Placera en skål med vatten under för att fånga upp köttsaft och grillolja från penslingen. Pensla på mer grillolja vid behov. Håll locket stängt för bästa resultat. Din stek eller fågel kommer att brynas perfekt på ytan och bli mör och saftig på insidan. Exempelvis tar det cirka 1 timme för en kyckling på 1,5 kg att blir färdig på medel eller hög temperatur. Använd ett långt verktyg med värmetåligt handtag för att fylla på briketter/kol under tillagningen, håll ett säkert avstånd.



Säkerhet efter användning

WARNING! Skydda dig själv och din omgivning från skada genom att noggrant följa dessa säkerhetsföreskrifter.

- Sätt på locket och stäng alla ventiler för att släcka en brand.
- Låt alltid grillen svalna helt innan du hanterar den.
- Lämna aldrig kol och aska i grillen utan uppsikt. Se till kol och aska är helt släckt innan den tas bort.
- Använd en metallskopa eller asksug för att ta bort kvarvarande kol och aska från grillen. Lägg askan i en metallbehållare och täck med vatten. Låt det stå i ytterligare 24 timmar innan det hålls ut.

Instruktioner för underhåll

Vi rekommenderar att ask- droppbehållaren töms efter varje användning.



WARNING! Se till att grillen är kall och allt kol slocknat innan du hanterar den.

WARNING! Använd alltid skyddshandskar och skyddsglasögon när du rengör grillen.



WARNING! Använd inte högtryckstvätt när du rengör grillen det kan skada den.



WARNING! För att undvika risk för brännskador bör underhåll ske endast när grillen är sval. Undvik oskyddad kontakt med heta ytor. Rengör grillen i ett område där rengöringsmedel inte kommer att skada altandäck, gräsmattor, eller uteplatser. Använd inte rengöringsmedel för ugn till att rengöra någon del av denna grill. Barbecuesås och salt kan vara frätande och orsakar snabb försämring av grillens komponenter om de inte rengörs regelbundet.



Grillgaller och varmhållningsgaller: Dessa detaljer rengörs bäst med en mässingsborste under det att grillen värms upp. Stålull kan användas för envisa fläckar.

Rengöring av grillens insida: Ta bort grillgallren. Använd en borste med mässingborst för att borsta bort löst sittande skräp från sidorna och insidan av locket. Skrapa rent insidan av grillen med en skrapa eller spackelspade och ta bort fastbränd aska med en stålborste. Borsta ner allt löst skräp i det avtagbara dropp-/askträget. Vid behov kan insidan av grillen rengöras med ett mildt rengöringsmedel och vatten. Skölj noggrant med rent vatten och torka torrt.



WARNING! Fettavlagringar är en brandrisk. Rengör därför ask- droppbehållaren efter varje användning för att undvika att fett byggs upp.

Ask- droppbehållaren: Aska, fett och överflödigt dropp hamnar i ask- droppbehållaren, som finns undergrillen. Ta loss den från grillen för att rengöra. Täck aldrig denna med aluminiumfolie, sand eller annat material, eftersom detta kan hindra fett från att rinna ordentligt. Pannan ska skrapas ut med en spatel eller skrapa, och allt skräp borstas ner i en icke brännbar metallbehållare. Tvätta ask- dropphållaren med ett mildt rengöringsmedel och vatten. Skölj väl med rent vatten och torka torrt.

Rengöring av yttre grilllyta: Använd inte rengöringsmedel med slipmedel eller stålull på några målade, emaljerade eller rostfria delar av din Napoleon-grill. Detta kommer att repa ytan. Yttre grilllytor ska rengöras med varmt tvålatten medan metallen fortfarande känns varm. Använd rengöringsmedel för rostfritt stål eller utan slipmedel för rengöring av ytor i rostfritt stål. Torka alltid i fibrernas riktning. Med tiden missfärgas delar i rostfritt stål av uppvärmningen, vanligtvis till en gyllene eller brun nyans. Missfärgningen är normal och påverkar inte grillens prestanda. Emaljerade delar måste hanteras med extra försiktighet. Den emaljerade ytan är glasliknande och flisas lätt vid slag. Emalj för förbättring av ytan finns att köpa från din Napoleon-återförsäljare.

Felsökning

Problem	Möjlig orsak	Lösning
Låg värme/låga flammor	Otillräcklig förvärmning Otillräckligt med luft Lite kol Felaktig höjd av grillkolstråget	Tillåt kolen att brinna tills dom är täckta av en tunn, grå aska (ca 20-25 min). Öppna ventilen Fyll på mer kol genom påfyllnadsluckan. Höj grillkolstråget till högsta position
Onormal uppflamnning / ojämn värme	Otillräcklig förvärmning Onormal påbyggnad av fett och aska i dropp-akstråget Felaktig höjd av grillkolstråget	Förvärm grillen med stängt lock i 20-25 min Rengör dropp- askstråget regelbundet. Klä inte tråget med aluminiumfolie. Se instruktioner för rengöring. Sänk grillkolstråget till lägsta position
"Färg" ser ut att släppa/flagna från insidan av huven.	Fett har byggts upp på ytan av insidan	Detta är ingen defekt. Huven och locket är av rostfritt stål och flagnar inte. Flagorna är fett som torkat och hårdnat och som liknar färgflagor när dom ramlar bort. Regelbunden rengöring förhindrar detta. Se instruktioner för rengöring.

SE

Sammanfattning av grillning med kol

Upptändning av grillen

- Innan du använder grillen första gången rekommenderar vi att du bränner av den i 30 min på hög värme med locket uppe och ventilen fullt öppen. Detta kommer att bränna bort ev fett och färgrester från tillverkningen.
- Öppna ventilen helt varje gång du tänder upp grillen.
- Rengör ask- droppbehållaren efter varje användning och sätt sedan tillbaka den.
- Använd antingen Ultrachef grillkolståndare (ingår ej) och följ instruktionerna i denna manual eller placera upptändningskuddar eller lätt skrynklat tidningspapper i botten på grillkolstråget. Placera grillkol i en konformad hög i mitten av tråget för "direkt tillagning" eller för "indirekt tillagning" på båda sidorna om en droppskål.
- När kolen är antända, stäng locket och låt kolen bränna tills den är täckt av en ljusgrå aska (ca 20 minuter), ordna kolen med hjälp av tång med värmestålig handtag enligt den tillagningsmetod du ska använda.
- Tändvätska kan användas för att antända grillkol, men det är inte den bästa metoden. Det kan vara kladdigt och kan lämna en kemisk smak på maten om vätskan inte helt bränns bort före tillagning. När väl kolen är antända får du aldrig hälla på mer tändvätska. Förvara flaskan på säkert avstånd (min 7,5 m) från grillen vid användning.
- Ytterligare röksmak kan uppnås genom att tillsätta träspån som finns i en mängd olika smaker hos din Napoleon återförsäljare.

Matlagning med din grill

- Vi rekommenderar att grillen förvärms med locket stängt i cirka 20 minuter. Kolen är färdiga när de har ett tunt lager grå aska.
- En tumregel är att det går åt ca 100 briketter för att laga till 2 kg kött. Om tillagningen varar mer än 30 - 40 min krävs mer kol. När vädret är kallt eller blåsigt, kommer du att behöva mer briketter för att nå en idealisk temperatur.
- Var försiktig när du fyller på kol på grillen. Lågor kan flamma upp när kol kommer i kontakt med luften. Ställ dig på ett säkert avstånd och använd ett verktyg med långt värmeståligt skaft till att lägga till ytterligare grillkol/briketter.
- Ventilen på locket ska oftast vara öppen vid tillagning i en täckt grill. Luft ökar förbränningstemperaturen i kolen. Du kan reglera grillens temperatur genom skjuta reglaget till höger eller vänster.
- Låt maten tillagas med locket stängt. Varje gång locket öppnas, sjunker temperaturen. Detta leder till lägre temperaturer och längre tillagningstider.
- Att stänga ventilen antingen helt eller delvis kommer att hjälpa att kyla ner kolen. Stäng inte ventilen helt om du inte vill kyla ner grillen eller släcka en uppflammande låga.
- Grillgallret kan oljas in innan förvärmning för att förhindra att maten fastnar.
- Använd en termometer på köttet för att kontrollera att maten är färdig.

Rengöring

- Stäng locket och stäng till ventilen för att släcka elden.
- Låt alltid grillen svalna helt innan du hanterar den.
- Lämna aldrig kol och aska i grillen utan uppsikt. Se till kol och aska är helt släckt innan den tas bort.
- Använd en metall skrapa/skopa, eller en asksug för att ta bort kvarvarande kol och aska från grillen. Placera det i en icke brännbar metallbehållare och täck med vatten. Låt stå i minst ett dygn.
- Använd en borste med mässingborst att rensa löst skräp från insidan av locket och tråget.
- Tvätta vid behov insidan av grillen med ett mildt rengöringsmedel och vatten. Skölj väl med rent vatten och torka torrt.
- Emaljerade detaljer måste hanteras med extra omsorg. Den pålagda emaljen är känslig (likt glas) för slag och stötar.

BEHÅLL DITT KVITTO SOM ETT BEVIS AV INKÖPET FÖR ATT BEKRÄFTA DIN GARANTI.

Beställning av ersättningsdelar

Garantiinformation

MODELL: _____

INKÖPSDATUM: _____

SERIENUMMER: _____

(Registrera information här för enklare referens)

Innan kundtjänstavdelningen kontaktas, kontrolleras NAC:s webbplats för mer utförliga instruktioner om rengöring, underhåll, felsökning och byte av delar på www.napoleongrills.com. Kontakta fabriken direkt för ersättningsdelar och garantianspråk. Vår kundtjänstavdelning finns tillgänglig kl. 9.00-17.00 (EST) på 1-866-820-8686 eller fax på 1-705-727-4282. För att behandla ett garantianspråk behöver vi följande information:

1. Enhetens modell och serienummer.
2. Artikelnummer samt beskrivning.
3. En kortfattad beskrivning av problemet ("trasig" räcker inte).
4. Inköpsbevis (kopia på fakturan).

I vissa fall kan vår kundtjänstpersonal begära att delarna returneras till fabriken för kontroll innan ersättningsdelar tillhandahålls. Delarna måste skickas med förbetald frakt till kundtjänstavdelningen med följande information bifogad:

1. Enhetens modell och serienummer.
2. En kortfattad beskrivning av problemet ("trasig" räcker inte).
3. Inköpsbevis (kopia på fakturan).
4. Returnummer, erhållet av kundtjänstpersonalen.

Innan kundtjänst kontaktas, notera att följande problem inte ersätts av garantin:

- Kostnad för frakt, arvode eller exporttullar.
- Arbetskostnad för borttagande och ommontering.
- Kostnader för servicesamtal för att diagnostisera problem.
- Felfärgning av delar i rostfritt stål.

Felaktigheter orsakade av bristande rengöring och underhåll eller användning av olämpliga rengöringsmedel (ugnsrengöring).



FAX TILL: 705 727 4282

ORDERFORMULÄR FÖR TILLBEHÖR OCH DELAR

SKRIV TYDLIGT

KONTAKT, NAMN: _____

SKICKAS TILL: _____

TEL : _____ FAX : _____

E-POST: _____

VISA ELLER MASTERCARD, KORTNUMMER: _____ UTGÅNGSDATUM: _____

UNDERSKRIFT: _____

MÄNGD	ARTIKELNUMMER	BESKRIVNING

SKATTER KAN TILLKOMMA
EXTRA FRAKT

OM BEKRÄFTELSE ERFORDRAS, ANGE FAXNUMMER ELLER E-POSTADRESS

SE



CAUTION! During unpacking and assembly we recommended you wear work gloves and safety glasses for your protection. Although we make every effort to make the assembly process as problem free and safe as possible, it is characteristic of fabricated steel parts that the edges and corners might be sharp and could cause cuts if handled incorrectly.



Getting Started



1. Remove all cart panels, hardware, and grill head from carton. Raise lid and remove any components packed inside. Use the parts list to ensure all necessary parts are included.
2. Do not destroy packaging until the grill has been fully assembled and operates to your satisfaction.
3. Assemble the grill where it is to be used, lay down cardboard or a towel to protect parts from being lost or damaged while assembling.
4. **Most stainless steel parts are supplied with a protective plastic coating that must be removed prior to using grill.**
5. Follow all instructions in the order that they are laid out in this manual.
6. Two people are required to lift the grill head onto the assembled cart.

If you have any questions about assembly or grill operation, or if there are damaged or missing parts please call our Customer Care Department at 1-866-820-8686 between 9 AM and 5 PM (Eastern Standard Time).



ATTENTION! Lors du déballage et de l'assemblage, nous vous conseillons de porter des gants de travail et des lunettes de sécurité pour votre protection. Malgré tous nos efforts pour assurer que l'assemblage soit aussi sécuritaire et sans problème que possible, il se peut que les bords et les coins des pièces usinées en acier soient coupants et qu'ils causent des coupures si les pièces ne sont pas manipulées correctement.



Pour Commencer



1. Retirez tous les panneaux, le matériel et le gril du carton d'emballage. Soulevez le couvercle et enlevez les composants qui se trouvent à l'intérieur. Servez-vous de la liste de pièces pour vous assurer que toutes les pièces nécessaires sont incluses.
2. Ne détruisez pas l'emballage jusqu'à ce que le gril ait été complètement assemblé et qu'il fonctionne à votre satisfaction.
3. Assemblez le gril là où il sera utilisé et posez un carton ou une serviette afin d'éviter de perdre ou d'endommager les pièces lors de l'assemblage.
4. **La plupart des pièces en acier inoxydable possèdent un revêtement de plastique protecteur qui doit être enlevé avant d'utiliser le gril.**
5. Suivez toutes les instructions dans l'ordre donné dans ce manuel.

Deux personnes sont requises pour soulever la cuve de gril et la placer sur le chariot assemblé.

Si vous avez des questions à propos de l'assemblage ou du fonctionnement du gril, ou si des pièces sont manquantes ou endommagées, veuillez appeler notre département du Service aux Consommateurs au 1-866-820-8686 entre 9 h et 17 h (heure normale de l'Est).



WAARSCHUWING! Het is aanbevolen om tijdens het uitpakken en monteren voor uw veiligheid werkhandschoenen aan te trekken en een veiligheidsbril op te zetten. Hoewel we er alles aan doen om het montage proces zo goed en zo veilig mogelijk te maken, is het kenmerkend voor bewerkte stalen onderdelen dat de uiteinden en hoeken scherp kunnen zijn en verwondingen kunnen veroorzaken als ze tijdens de montage niet op de juiste manier worden behandeld.

Aan De Slag

1. Haal alle onderdelen van het onderstel, de behuizing en de grill uit het karton. Til het deksel op en haal alle verpakte onderdelen uit de binnenkant. Gebruik de onderdelenlijst om ervoor te zorgen dat alle noodzakelijke onderdelen aanwezig zijn.
2. Vernietig het verpakkingsmateriaal niet totdat de grill volledig gemonteerd is en naar tevredenheid werkt.
3. Monteer de grill op de plaats waar die gebruikt gaat worden. Leg het karton of een handdoek op de grond om de onderdelen te beschermen tegen verlies of beschadiging tijdens montage.
4. **De meeste roestvrijstalen onderdelen worden geleverd in een beschermende plastic laag die verwijderd moet worden voordat de grill gebruikt wordt.**
5. Volg alle instructies in de volgorde zoals die is uitgelegd in deze handleiding.
6. Er zijn twee mensen voor nodig om de grillbak op het gemonteerde onderstel te tillen.



Als u vragen heeft over de montage of werking van de grill, of als er beschadigingen of ontbrekende onderdelen zijn, bel dan gerust onze klantenservice op 1-866-820-8686 tussen 9 AM en 5 PM Eastern Standard Time



ACHTUNG! Wir empfehlen beim Entpacken des Geräts und bei der Montage Arbeitshandschuhe und eine Schutzbrille zu tragen. Wir unternehmen alle Anstrengungen, den Montageprozess so problemlos und sicher wie möglich zu machen, doch bearbeitete Stahlteile haben üblicherweise scharfe Kanten und Ecken, die zu Schnittverletzungen führen können, wenn sie während der Montage unsachgemäß gehandhabt werden.

Erste Schritte

1. Alle Paneele für den Wagen, Hardware und Grilleinsatz aus dem Karton entnehmen. Haube öffnen und alle darin verpackten Komponenten entnehmen. Anhand der Stückliste sicherstellen, dass alle nötigen Teile vorhanden sind.
2. Zerstören Sie die Verpackung nicht, bevor der Grill vollständig montiert ist und zu Ihrer Zufriedenheit funktioniert.
3. Den Grill an der Stelle montieren, wo er verwendet werden soll. Legen Sie Pappe oder ein Handtuch zurecht, um während der Montage keine Teile zu verlegen oder zu beschädigen.
4. **Die meisten Edelstahlteile sind ab Werk mit einem schützenden Plastikfilm versehen, der vor Montage des Grills abgezogen werden muss.**
5. Folgen Sie allen Anweisungen in diesem Handbuch in der angegebenen Reihenfolge.
6. Zwei Personen sind erforderlich, um den Grillaufsatz auf den montierten Wagen zu setzen.



Bei Fragen zur Montage oder zum Betrieb des Grills, oder bei beschädigten oder fehlenden Teilen, wenden Sie sich an unseren Kundendienst unter +1-866-820-8686 zwischen 9 Uhr und 15 Uhr Eastern Standard Time.



PRECAUCIÓN! Le recomendamos que, para su protección, durante el desempaquetado y el montaje del dispositivo lleve guantes de protección y gafas de seguridad. Aunque hacemos todo lo que está en nuestra mano para que el proceso de montaje no resulte problemático y sea lo más seguro posible, es característico de las piezas fabricadas de acero que sus extremos y esquinas estén afiladas, por lo que pueden producir cortes si no se manejan correctamente.

Operaciones iniciales

1. Extraiga todos los paneles del carro, el hardware y la parte superior de la parrilla de la caja. Levante la tapa y extraiga del interior los componentes empaquetados. Consulte la lista de piezas para asegurarse de que se incluyen todos los elementos necesarios.
2. No rompa el embalaje hasta que la parrilla se haya montado completamente y funcione correctamente.
3. Sitúe la parrilla en el lugar en el que vaya a utilizarla, coloque un cartón o una toalla para evitar que las piezas se pierdan o resulten dañadas durante el montaje.
4. **La mayoría de las piezas de acero inoxidable se suministran con una envoltura de plástico de protección que deberá retirar antes de utilizar la parrilla.**
5. Siga todas las instrucciones en el orden que se indica en este manual.
6. Se requieren dos personas para situar la parrilla en el carro de montaje.



Si tiene alguna pregunta sobre el montaje o funcionamiento de la parrilla, o si alguna de las piezas falta o está dañada, llame al departamento de atención al cliente al número: 1-866-820-8686, entre las 9:00 y las 17:00 horas (hora estándar oriental).



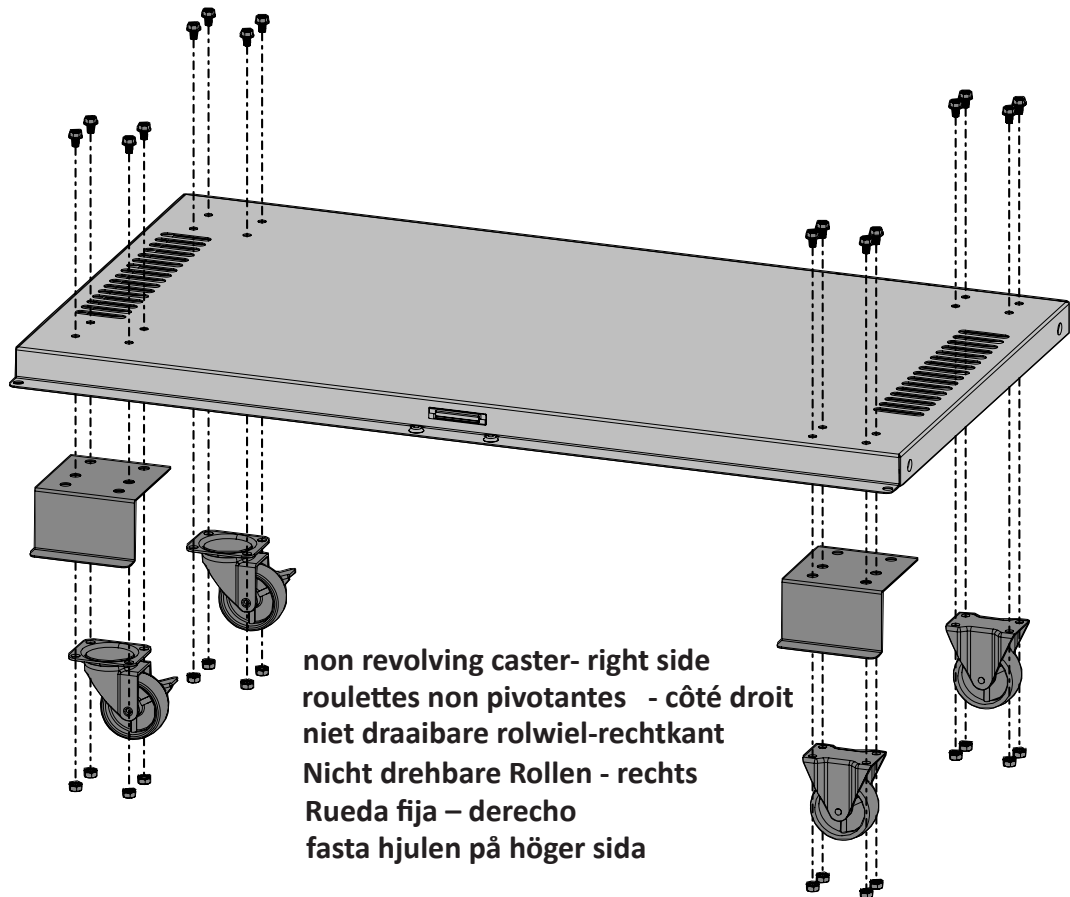
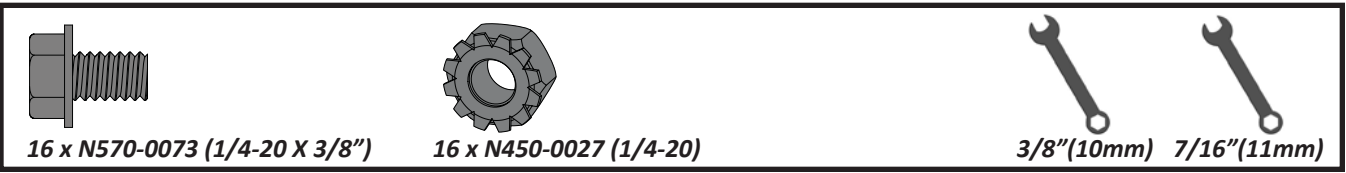
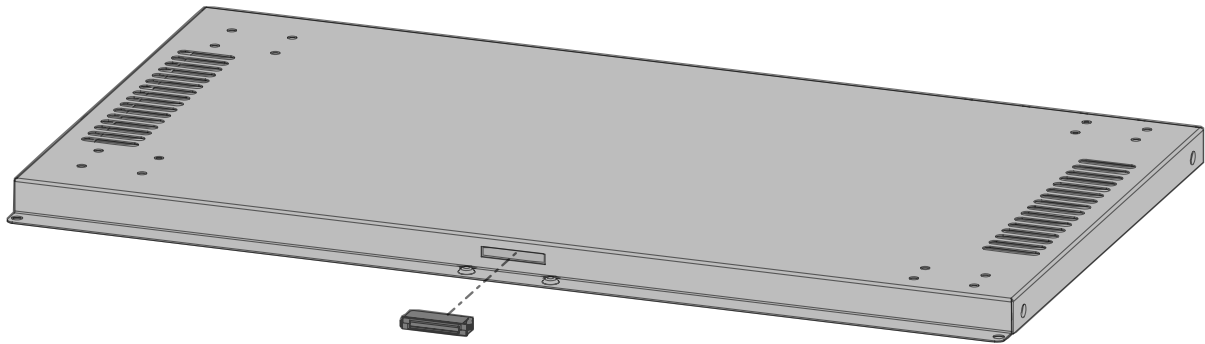
VAR FÖRSIKTIG! Under uppäckning och montering rekommenderar vi att du använder arbetshandskar och säkerhetsglasögon som skydd. Även om vi anstränger oss för att göra monteringen så problemfri och säker som möjligt, kännetecknas den av färdiga ståldelar som kan ha skarpa kanter och hörn som kan orsaka skärskador om de inte hanteras på rätt sätt.

Komma igång

1. Avlägsna alla paneler, hårdvara och grillhuvud från kartongen. Lyft på locket och ta bort eventuella delar som finns paketerade inuti. Använd detaljlistan för att säkerställa att alla nödvändiga delar medföljer.
2. Förstör inte förpackningen förrän gasolgrillen har monterats i sin helhet och fungerar till din belåtenhet.
3. Montera grillen där den ska användas. Lägg ner kartong eller en handduk för att förhindra att delar försvinner eller skadas under monteringen.
4. **De flesta delar i rostfritt stål levereras med ett skyddande plasthölje som måste avlägsnas innan grillen används.**
5. Följ alla instruktioner i den ordning som de visas i denna handbok.
6. Två personer krävs för att lyfta på grillhuvudet på den monterade grillvagnen.

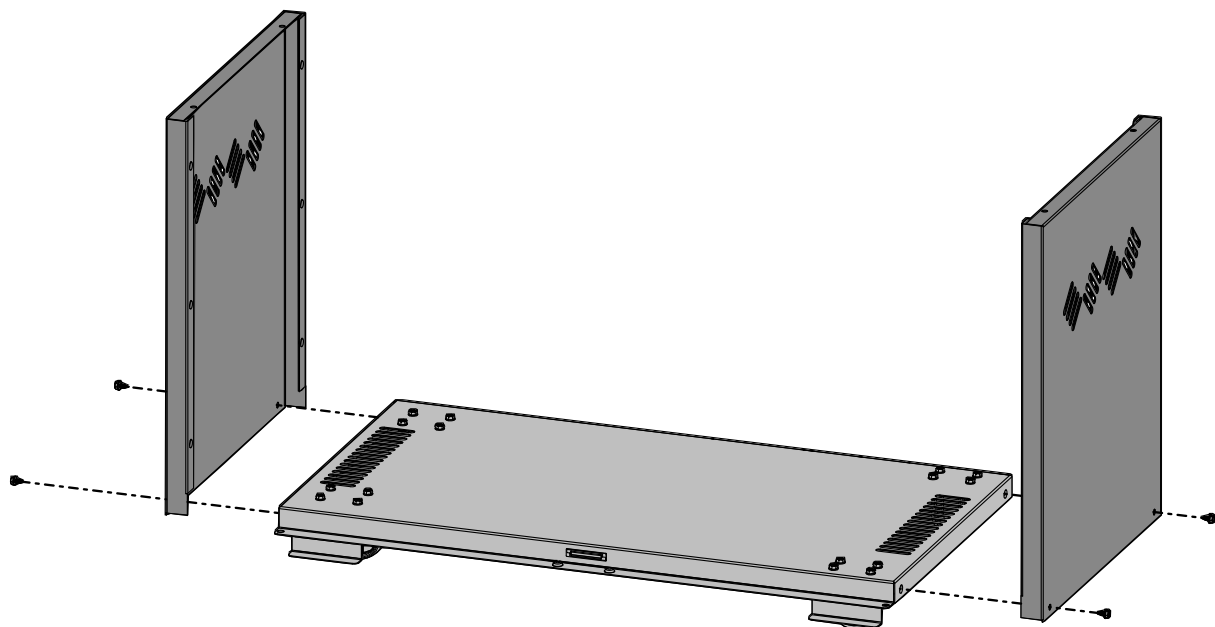


Om du har några frågor om grillens montering eller drift, eller om det fanns några skadade eller saknade delar, ring vår kundtjänst avdelning på 1-866-820-8686 kl. 9.00-17.00 (EST).



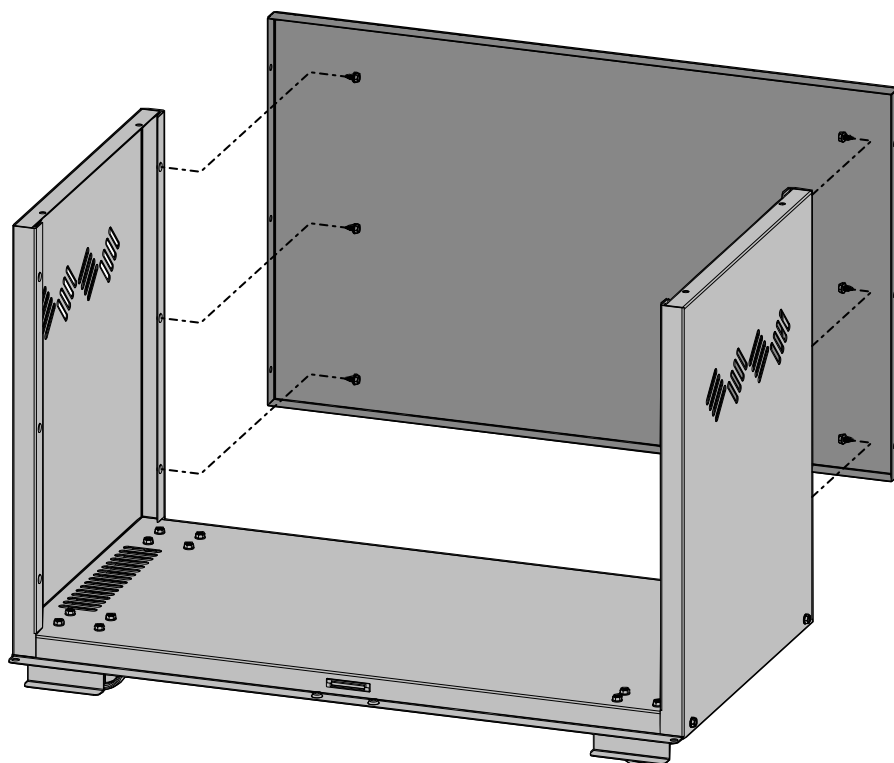
 **4 x N570-0080 (#14 x 1/2")**

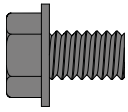
 **3/8"(10mm)**



 **6 x N570-0080 (#14 x 1/2")**

 **3/8"(10mm)**





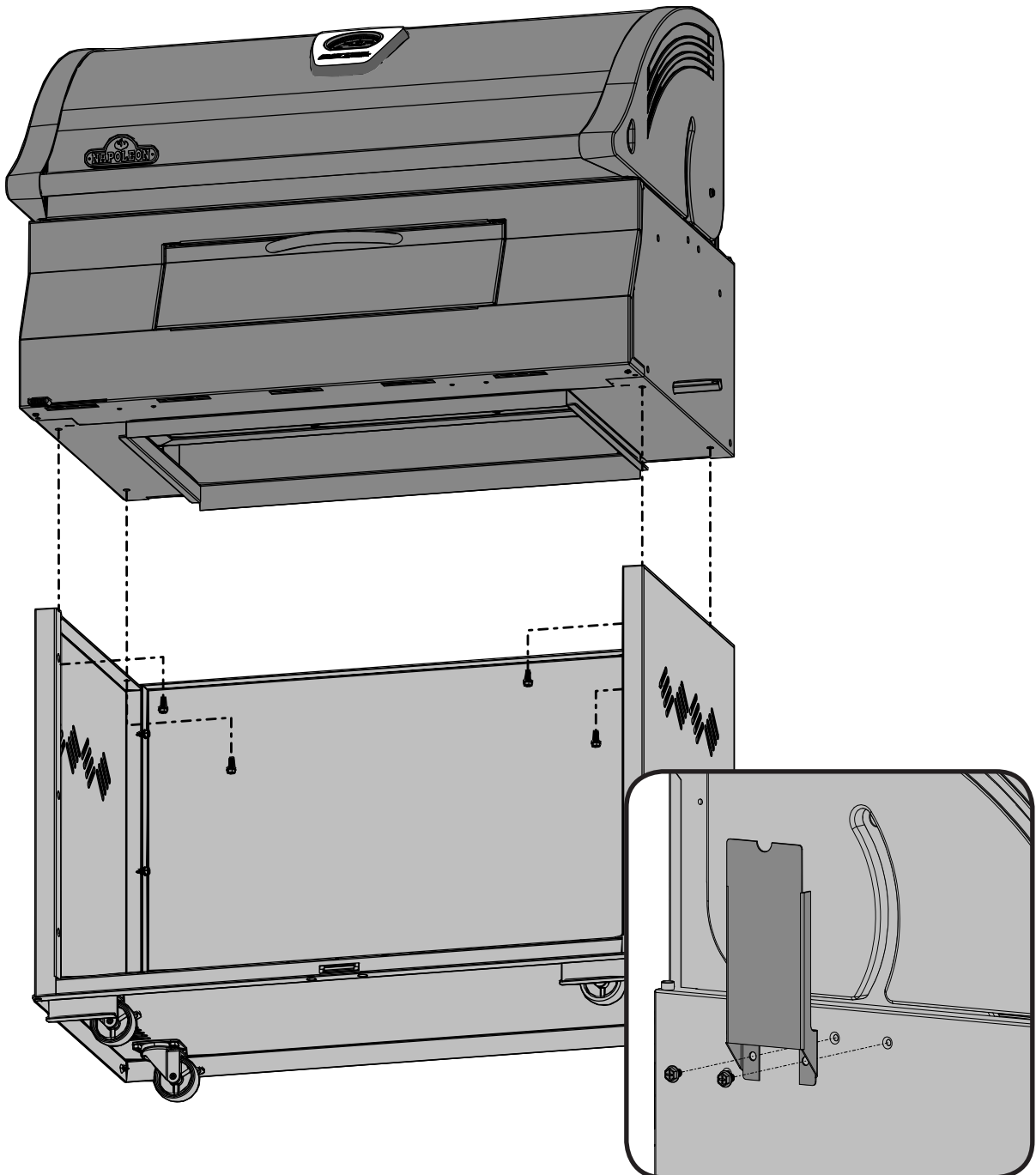
6 x N570-0073 (1/4-20 X 3/8")

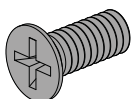


3/8" (10mm)

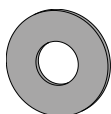


Two people are required for this step.
Deux personnes son nécessaires pour cette étape.
Voor deze stap zijn twee mensen nodig.
Für diesen schritt Sind zwei personen erforderlich.
Este paso requiere la presencia de dos personas.
Det behövs två personer för detta steg.

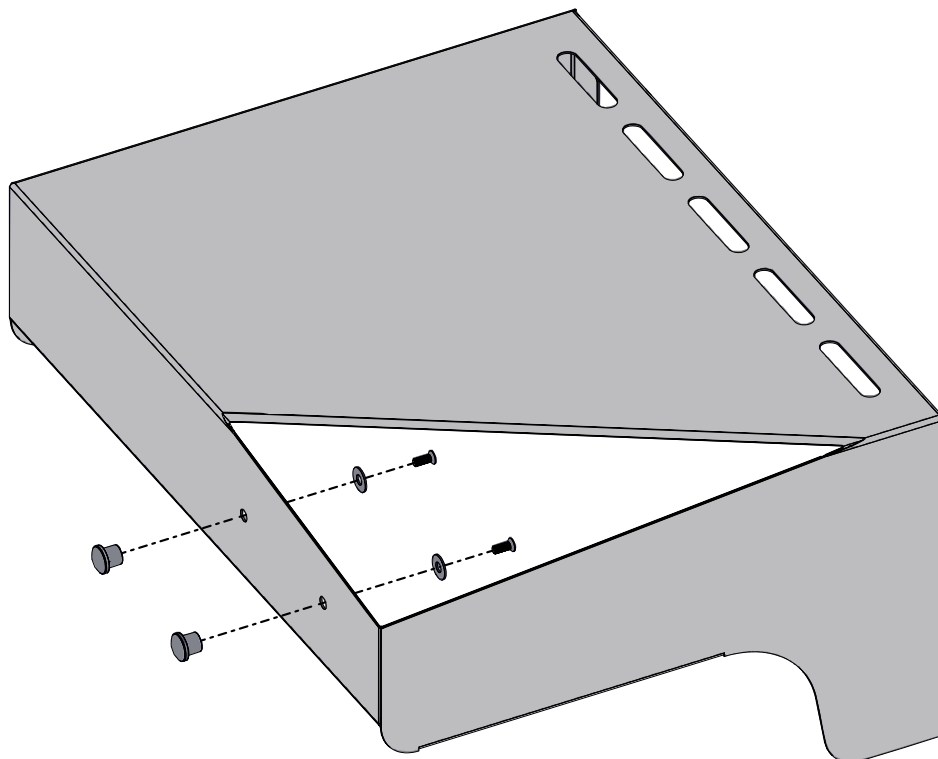




4 x N570-0088 (10-24 X 1/2")

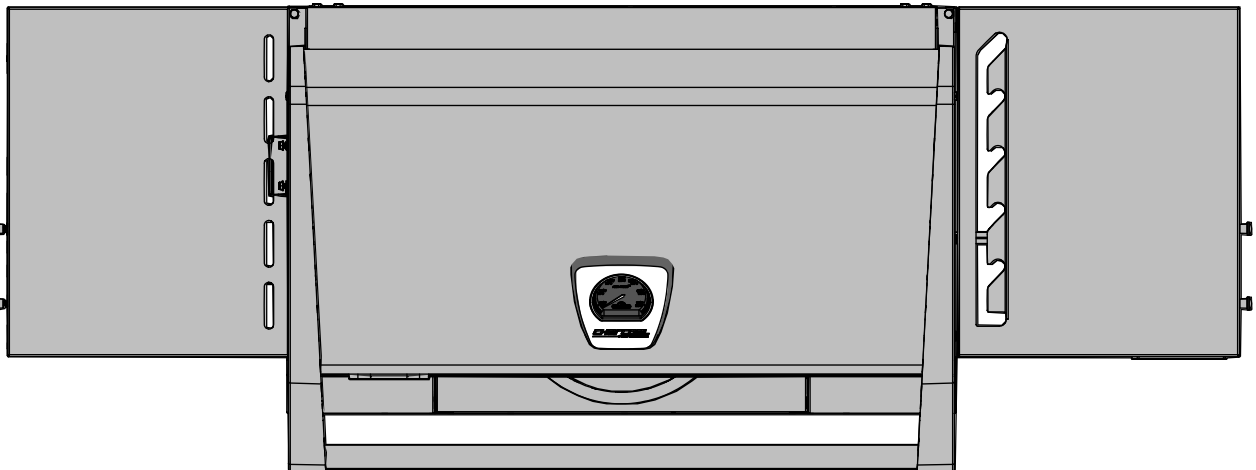
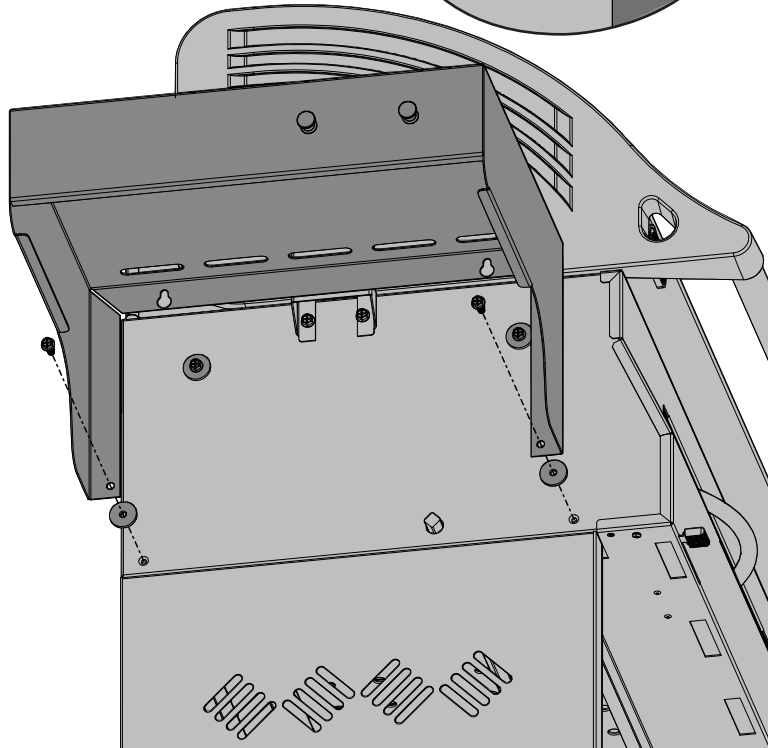
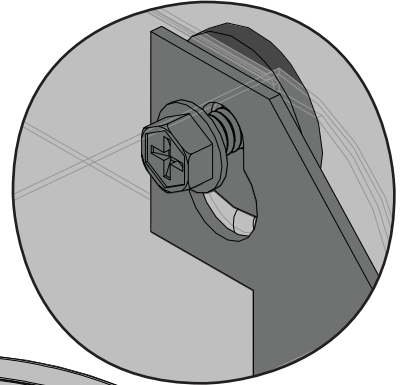
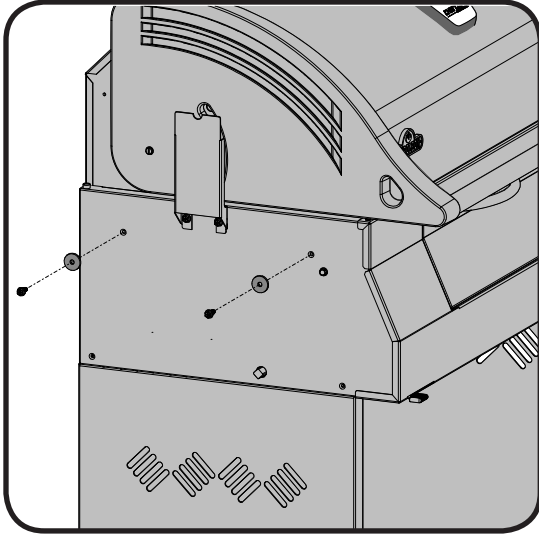


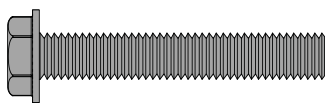
4 x N735-0007 (1/4")



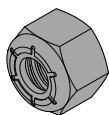


8 x N570-0082 (1/4-20 X 5/8") 8 x N735-0001 (insulated washer) 3/8"(10mm)





1 x N570-0084 (1/4-20 X 2")



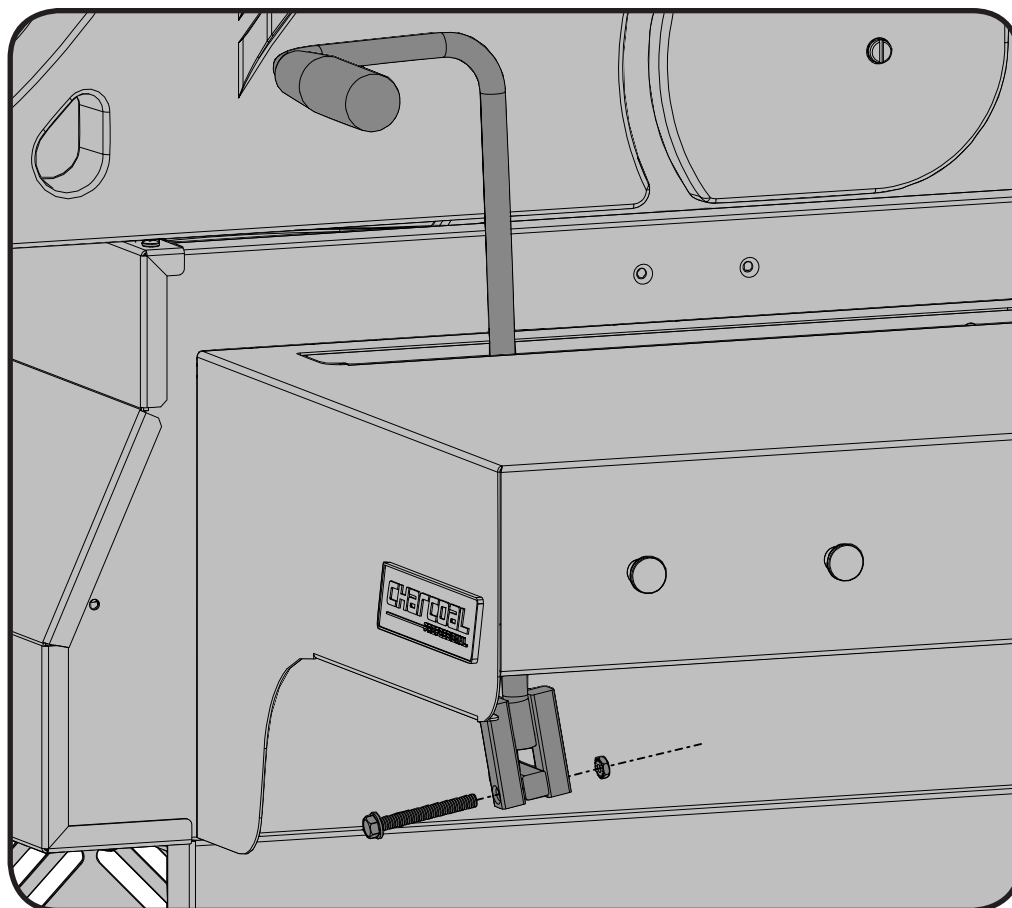
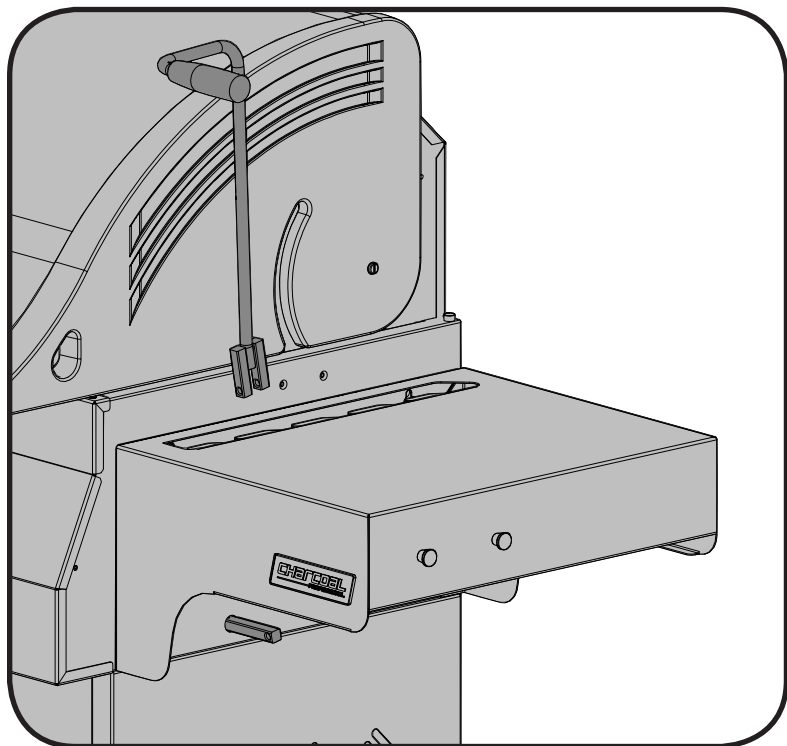
1 x W450-0032 (1/4-20)

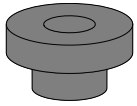


3/8"(10mm)

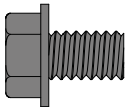
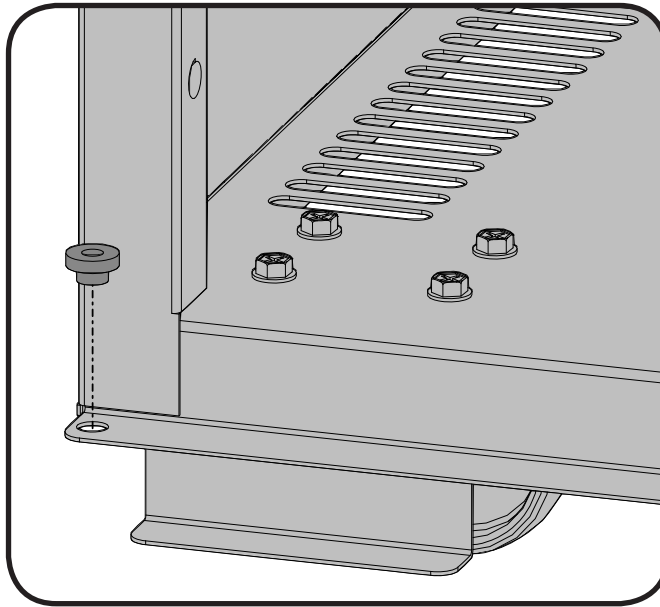


7/16"(11mm)

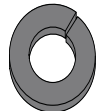




2 x N105-0011



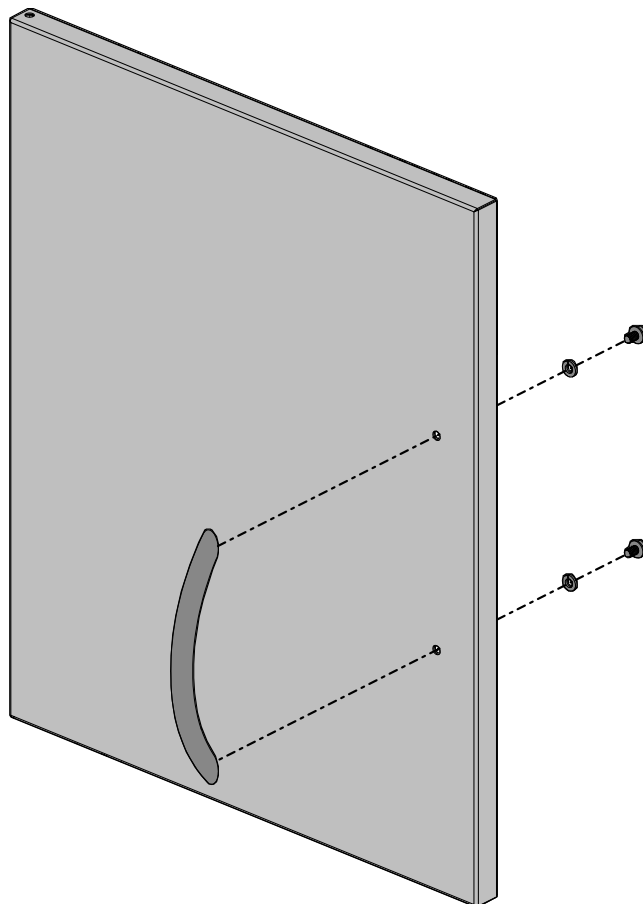
4 x N570-0073 (1/4-20 X 3/8")

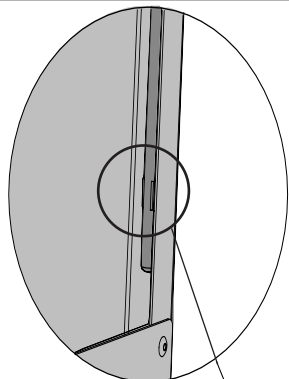


4 x N735-0003 (1/4-")

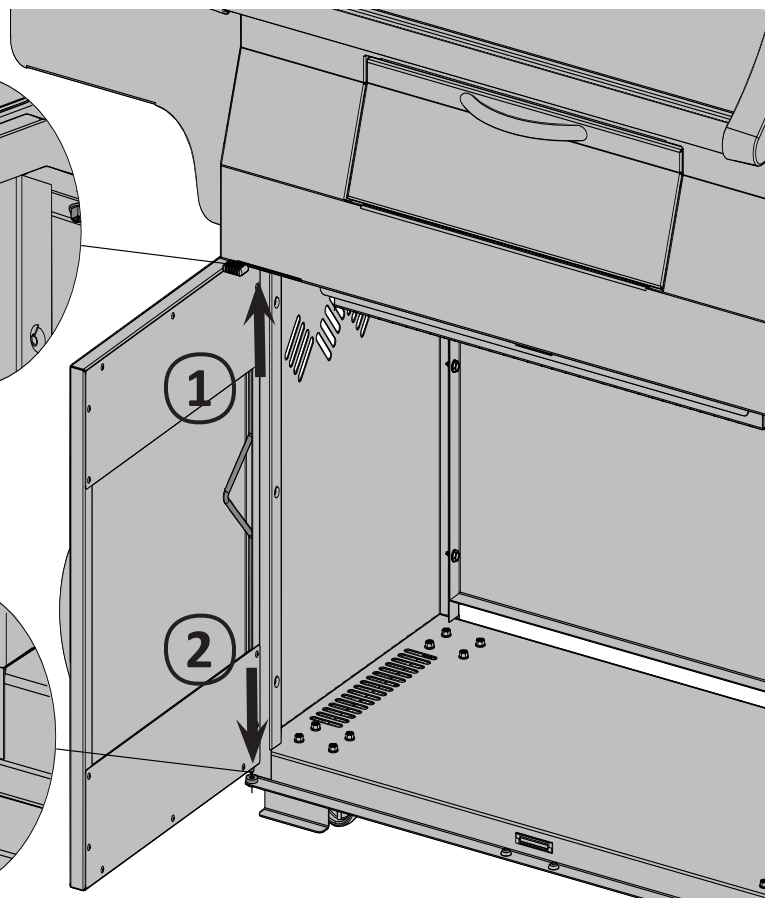
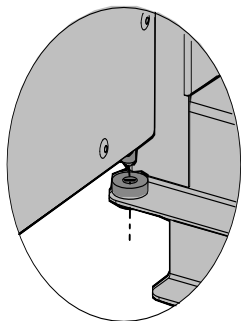
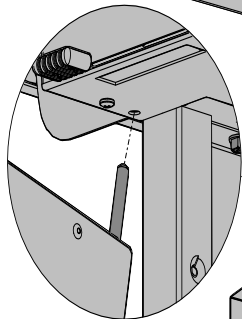
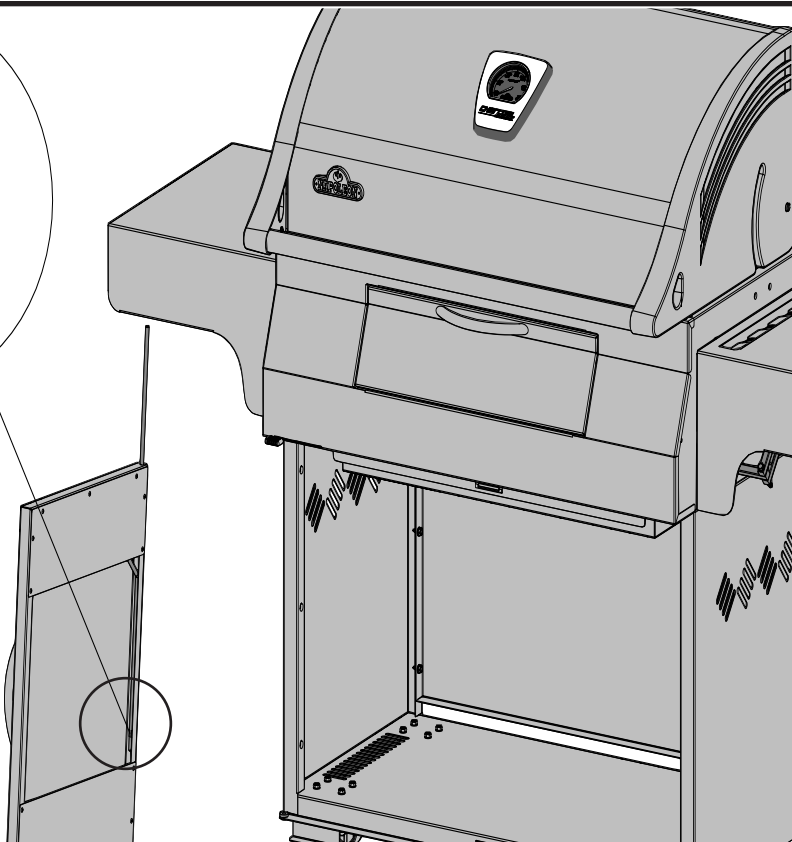


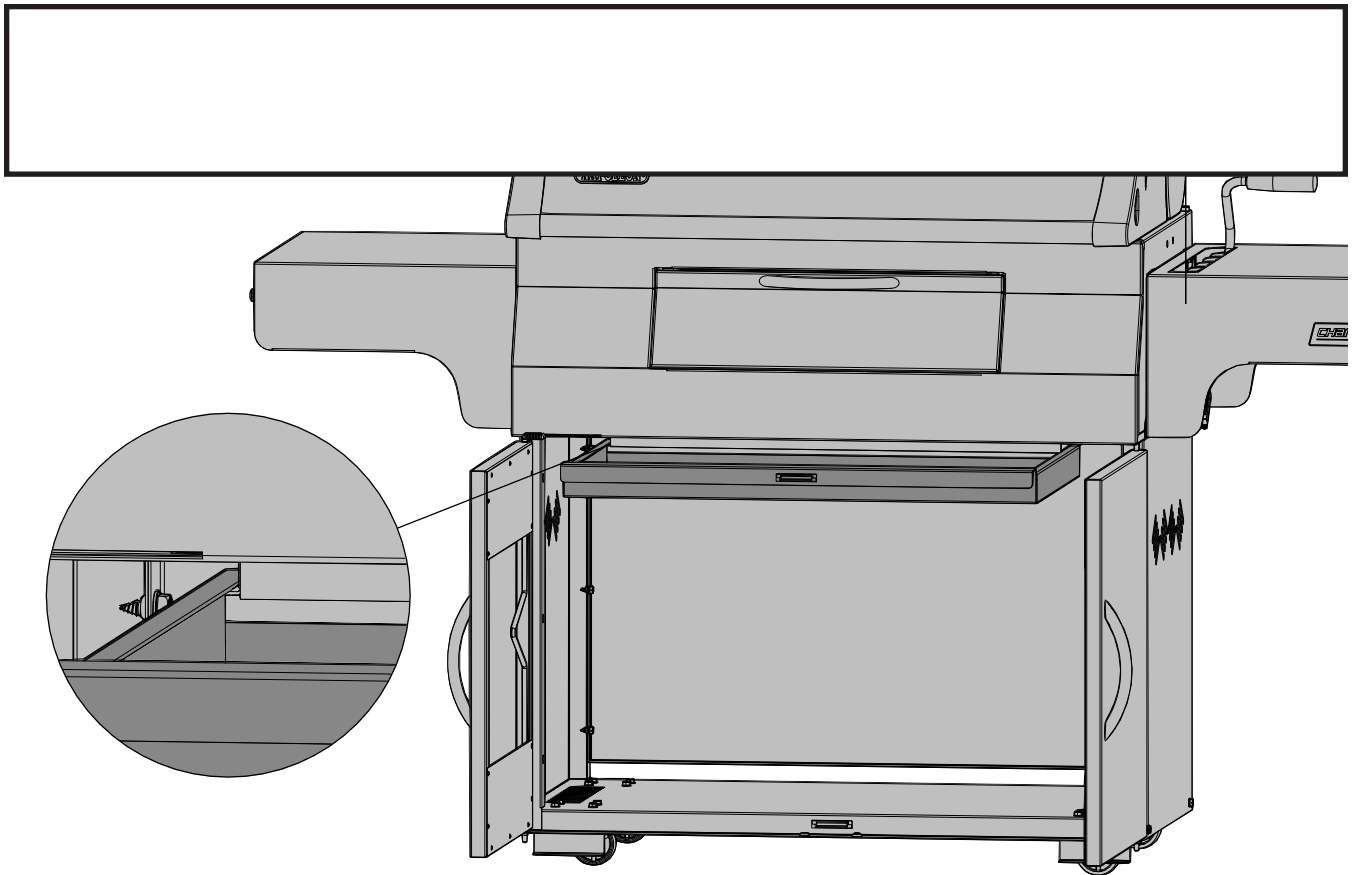
3/8"(10mm)





Crimped end
Extrémité crantée
Einde gekrompen
Wellenende
Final ondulado
Bockad ändE





WARNING! Only Install rear chamber when using.

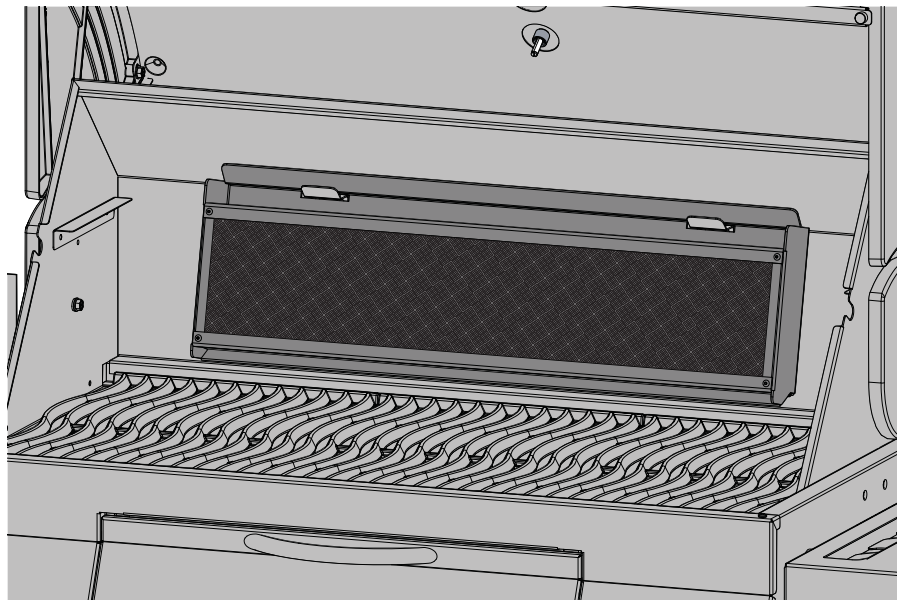
AVERTISSEMENT! Installez le compartiment arrière uniquement lorsque vous désirez l'utiliser.

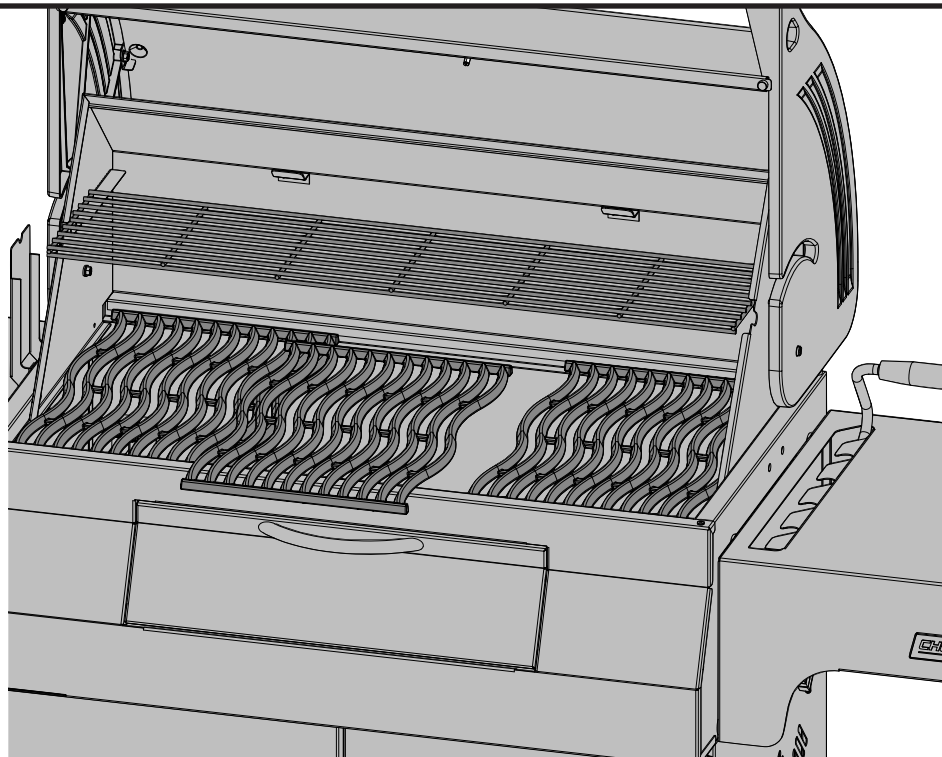
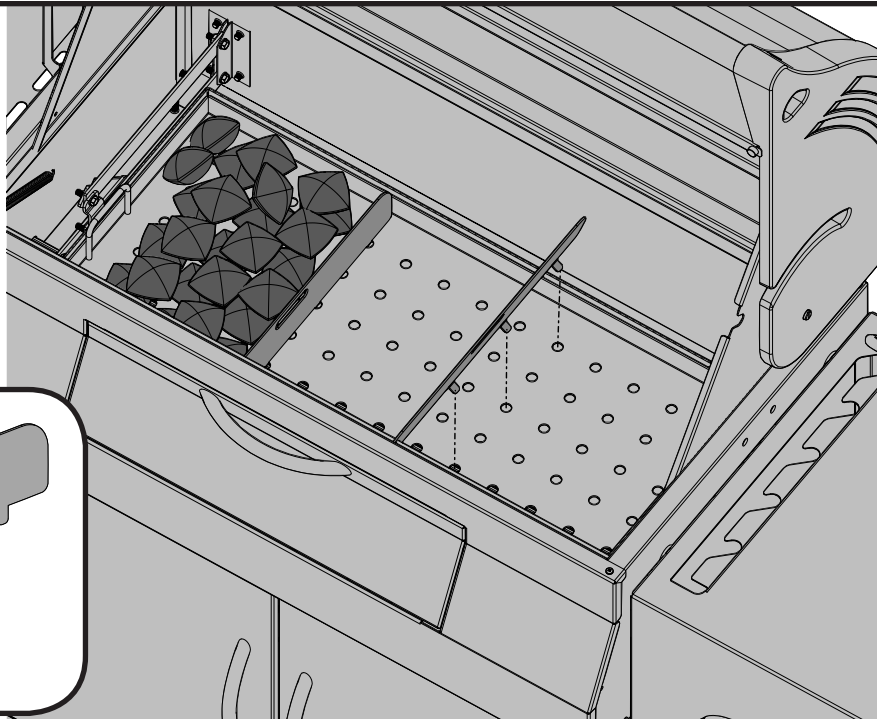
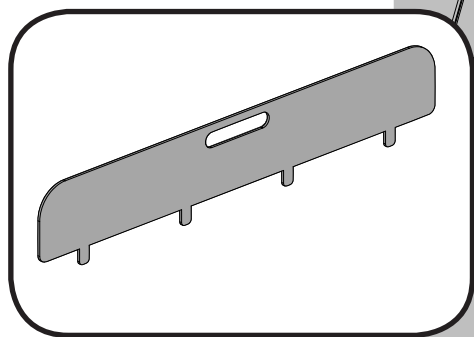
WAARSCHUWING! Installeer de achterkamer alleen wanneer het gebruikt wordt.

WARNUNG! Installieren Sie die rückseitige Kammer nur, wenn Sie diese auch verwenden.

ADVERTENCIA! Instale la cámara posterior solo cuando vaya a utilizarla.

VARNING! Sätt dit denna enbart när den ska användas.

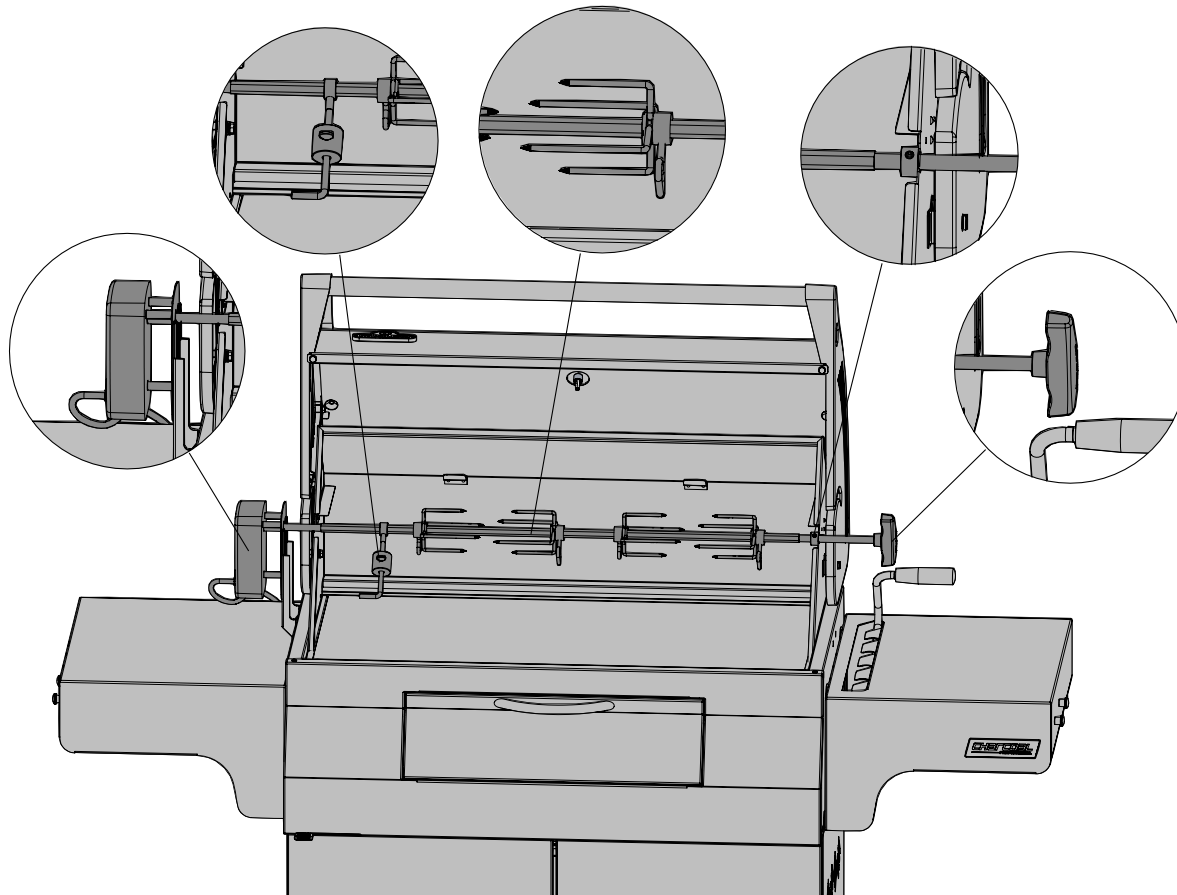




Rotisserie Kit Installation (optional)
Installation de la rôtière (facultatif)
Monteer instructies voor de Roterende Braadkit (optionele)
Anweisungen für die Montage des Drehspieß-Sets (fakultativ)
Instrucción de ensamble del kit de rotisserie (opcional)
Montering av Rotiseri set (tillval)



Ensure stop bushing is tightened on the inside of hood casting.
 Assurez-vous que la bague d'arrêt soit serrée à l'intérieur de la hotte.
 Zorg dat de stop ring aan de binnenkant van de kap is gevestigd.
 Sicherstellen, dass die Anschlagbuchse an der Innenseite des Haubengussteils fest angezogen ist.
 Asegúrese de que el buje de tope esté bien ajustado en el interior de la campana.
 Säkerställa stopp bussningen är åtdragen på insidan av huven gjutning.



Parts List

Item	Part #	Description	605
1	N570-0015	lid pivot screw	x
2	N385-0191	NAPOLEON logo	x
	W450-0005	logo spring clips	x
	N510-0013	black silicone lid bumper	x
3	N570-0091	1/4-20 x 1/2" screw	x
4	N010-0738	lid handle	x
	N080-0287-GY1HT	lid casting cover	x
	N570-0042	10-24 x 3/8" screw	x
5	N685-0014	temperature gauge	x
6	N500-0048-BK1HT	plate charcoal separator	x
7	N335-0044L	stainless steel lid insert	x
8	N585-0081	heat shield lid	x
9	N135-0042-GY1HT	left side lid casting	x
10	N135-0043-GY1HT	right side lid casting	x
11	N010-0553	hood assembly	x
12	N010-0550P	rear burner assembly	x
13	N565-0005	rear burner screen	x
14	N570-0008	#8 x 1/2" screw	x
15	N305-0064	cooking grids - cast iron	x
16	N325-0054	handle outer charcoal tray lever	x
17	N540-0004	snap ring	x
18	W450-0032	locking nut 1/4-20	x
19	N010-0555	handle assembly charcoal tray lever	x
20	N570-0084	1/4-20 x 2" screw	x
21	N010-0606P	charcoal tray assembly	x
22	N010-0551P	charcoal tray frame assembly	x
23	N475-0301-M06	rotisserie mount	x
24	N590-0166	stainless steel side shelf - left	x
25	N570-0082	1/4-20 x 5/8" screw	x
26	N735-0001	insulated washer	x
27	N080-0241P	bracket offset	x
28	N010-0552P	lever assembly	x
29	N080-0219	bracket rear arm	x
30	N655-0103P	support arm	x
31	N485-0012	cotter pin	x
32	N590-0167	stainless steel side shelf - right	x
33	N010-0549	base assembly	x
34	N510-0010	black silicone lid bumper	x
35	N630-0004	spring	x
36	N570-0082	1/4-20 x 5/8" screw	x
37	N010-0562	base front panel assembly	x
	N500-0042B	vent handle	x
38	N570-0013	#8 x 1/2" screw	x
39	N555-0034	pivot rod charcoal access door	x
40	N010-0554	charcoal access door assembly	x
41	N570-0073	1/4-20 x 3/8" screw	x
42	N710-0057P	ash tray / drip pan	x
43	N475-0214P	rear cart panel	x
44	N475-0213P	left and right cart panel	x
45	N010-0548	cart door assembly	x
46	N325-0049	door handle	x
	N570-0073	1/4-20 x 3/8" screw	x

Parts List

Item	Part #	Description	605
	N735-0003	1/4" lockwasher	x
47	N555-0018	door pivot rod	x
48	N105-0011	door bushings	x
49	N130-0012	revolving caster	x
50	N430-0002	magnetic catch	x
51	N590-0165P	bottom shelf	x
52	N130-0013	non revolving caster	x
53	N450-0027	locking nut 1/4-20	x
54	N520-0024	warming rack	x
55	N080-0212P	stability bracket	x
56	Z340-0001	tool hook side shelf	x
57	N570-0088	screw 10-24 x 1/2"	x
58	N735-0007	1/4" washer	x
59	N385-0244	charcoal logo	x
	W450-0005	logo spring clips	x
	65331	rotisserie kit NA	ac
	65332	rotisserie kit CE	ac
	65333	rotisserie kit GB	ac
	63605	vinyl cover	ac
	56018	stainless steel griddle	ac

x - standard

ac - accessory

Liste Des Pièces

Article	No pièce	Description	605
1	N570-0015	Vis pivot du couvercle	x
2	N385-0191	Logo NAPOLÉON	x
	W450-0005	Attaches à ressort pour logo	x
	N510-0013	Pare-choc du couvercle (silicone noire)	x
3	N570-0091	Vis 1/4-20 x 3/8"	x
4	N010-0738	Poignée de couvercle	x
	N080-0287-GY1HT	Couverture poignée du couvercle	x
	N570-0042	Vis 10-24 x 3/8"	x
5	N685-0014	Jauge de température	x
6	N500-0048-BK1HT	Séparateur de charbon plaque	x
7	N335-0044L	Appliqué pour couvercle en acier inoxydable	x
8	N585-0081	Protecteur de chaleur du couvercle	x
9	N135-0042-GY1HT	Moulage gauche du couvercle	x
10	N135-0043-GY1HT	Moulage droit du couvercle	x
11	N010-0553	Hotte	x
12	N010-0550P	Assemblage du brûleur arrière	x
13	N565-0005	Plaque de protection du brûleur arrière	x
14	N570-0008	Vis #8 x 1/2"	x
15	N305-0064	Grilles de cuisson - fonte	x
16	N325-0054	Poignée du levier externe du bac à charbon de bois	x
17	N540-0004	Anneau élastique	x
18	W450-0032	Écrou de blocage 1/4-20	x
19	N010-0555	Assemblage du levier externe du bac à charbon de bois	x
20	N570-0084	Vis 1/4-20 x 2"	x
21	N010-0606P	Assemblage du bac à charbon de bois	x
22	N010-0551P	Assemblage du cadre du bac à charbon de bois	x
23	N475-0301-M06	Support de rôtissoire	x
24	N590-0166	Tablette latérale en acier inoxydable - gauche	x
25	N570-0082	Vis 1/4-20 x 5/8"	x
26	N735-0001	Rondelle isolée	x
27	N080-0241P	Support de décalage	x
28	N010-0552P	Assemblage du levier interne	x
29	N080-0219	Support du bras de levage	x
30	N655-0103P	Bras de levage	x
31	N485-0012	Goupille fendue	x
32	N590-0167	Tablette latérale en acier inoxydable - droite	x
33	N010-0549	Assemblage de la base	x
34	N510-0010	Pare-choc du couvercle (silicone noire)	x
35	N630-0004	Ressort	x
36	N570-0082	Vis 1/4-20 x 5/8"	x
37	N010-0562	Assemblage du panneau avant de la base	x
	N500-0042B	Ventilation poignée	x
38	N570-0013	Vis #8 x 1/2"	x
39	N555-0034	Tige de pivot de la porte d'accès	x
40	N010-0554	Porte d'accès au bac à charbon	x
41	N570-0073	Vis 1/4-20 x 3/8"	x
42	N710-0057P	Tiroir d'égouttement et à cendres	x
43	N475-0214P	Panneau arrière du cabinet	x
44	N475-0213P	Panneaux gauche et droit du cabinet	x
45	N010-0548	Porte du cabinet	x
46	N325-0049	Poignée de porte	x
	N570-0073	Vis 1/4-20 x 3/8"	x

Liste Des Pièces

Article	No pièce	Description	605
	N735-0003	Rondelle de blocage 1/4"	x
47	N555-0018	Tige de pivot de la porte	x
48	N105-0011	Bagues de porte	x
49	N130-0012	Roulette pivotante	x
50	N430-0002	Loquet magnétique	x
51	N590-0165P	Tablette inférieure	x
52	N130-0013	Roulette non pivotante	x
53	N450-0027	Écrou de blocage 1/4-20	x
54	N520-0024	Grille de réchaud	x
55	N080-0212P	Support de stabilisation	x
56	Z340-0001	Crochet d'outil tablette latérale	x
57	N570-0088	Vis 10-24 x 1/2"	x
58	N735-0007	Rondelle de 1/4"	x
59	N385-0244	De charbon logo	x
	W450-0005	Attaches à ressort pour logo	x
	65331	Ensemble de rôtissoire NA	ac
	65332	Ensemble de rôtissoire CE	ac
	65333	Ensemble de rôtissoire GB	ac
	63605	Housse en vinyle	ac
	56018	Plaque de cuisson en acier inoxydable	ac

x - compris

ac - accessoires

Onderdelenlijst

	Onderdeel #	Beschrijving	605
1	N570-0015	schroef kapscharnier	x
2	N385-0191	NAPOLEON logo	x
	W450-0005	logo metaalklemmen	x
	N510-0013	zwart siliconen kapstootrand	x
3	N570-0091	1/4-20 x 1/2" schroef	x
4	N010-0738	kaphendel	x
	N080-0287-GY1HT	kap hendel dekking	x
	N570-0042	schroef 10-24 x 3/8"	x
5	N685-0014	temperatuurmeters	x
6	N500-0048-BK1HT	de houtskoolverdeler van de plaat	x
7	N335-0044L	roestvrijstalen inschuifplaat	x
8	N585-0081	hitteschildkap	x
9	N135-0042-GY1HT	linker zijgietwerk kap	x
10	N135-0043-GY1HT	rechter zijgietwerk kap	x
11	N010-0553	dekselmontage	x
12	N010-0550P	achterbrander	x
13	N565-0005	rear burner screen	x
14	N570-0008	#8 x 1/2" schroef	x
15	N305-0064	grillroosters	x
16	N325-0054	beweeg de houtskoolblad-hefboom aan de buitenkant	x
17	N540-0004	circlip	x
18	W450-0032	moerdop	x
19	N010-0555	beweeg de houtskoolblad-hefboom van de montage	x
20	N570-0084	1/4-20 x 2" schroef	x
21	N010-0606P	montage van het houtskoolblad	x
22	N010-0551P	montage van het frame van het houtskoolblad	x
23	N475-0301-M06	rotisserie montage	x
24	N590-0166	zijplaat - links	x
25	N570-0082	1/4-20 x 5/8" schroef	x
26	N735-0001	insulated washer	x
27	N080-0241P	verschuiving van de steun	x
28	N010-0552P	de montage van de hefboom	x
29	N080-0219	achterste arm van de steun	x
30	N655-0103P	steunarm	x
31	N485-0012	splitpen	x
32	N590-0167	zijplaat - rechts	x
33	N010-0549	bodem	x
34	N510-0010	zwart siliconen kapstootrand	x
35	N630-0004	veer	x
36	N570-0082	1/4-20 x 5/8" schroef	x
37	N010-0562	montage van het basis-voorpaneel	x
	N500-0042B	het handvat van de ventilatieopening	x
38	N570-0013	#8 x 1/2" schroef	x
39	N555-0034	scharnierstang van de toegangsdeur voor houtskool	x
40	N010-0554	montage van de toegangsdeur voor houtskool	x
41	N570-0073	1/4-20 x 3/8" schroef	x

Onderdelenlijst

	Onderdeel #	Beschrijving	605
42	N710-0057P	opvangbak voor as/lekbak	x
43	N475-0214P	achterkarpaneel	x
44	N475-0213P	karbehuizing, links/rechts	x
45	N010-0548	deursluitingmontage	x
46	N325-0049	deur hendel	x
	N570-0073	1/4-20 x 3/8" schroef	x
	N735-0003	1/4" afsluitring	x
47	N555-0018	deursluiting scharnierhouder	x
48	N105-0011	deurlagers	x
49	N130-0012	draaibare rolwiel	x
50	N430-0002	magneetplaatje	x
51	N590-0165P	bodemplaat	x
52	N130-0013	niet draaibaar rolwiel	x
53	N450-0027	1/4" - 20 moer	x
54	N520-0024	warmhoudrooster	x
55	N080-0212P	stabilisatiebeugels	x
56	Z340-0001	gereedschapshaak zijplaat	x
57	N570-0088	10-24 x 1/2" schroef	x
58	N735-0007	1/4" afsluitring	x
59	N385-0244	logo	x
	W450-0005	logo metaalklemmen	x
	65331	spit NA	ac
	65332	spit CE	ac
	65333	spit GB	ac
	63605	vinylbedekking	ac
	56018	roestvrijstalen grillplaat	ac

x - standard

ac - accessorie

Stückliste

Position	Teilenr.	Beschreibung	605
1	N570-0015	Hauben-Pivotschraube	x
2	N385-0191	NAPOLEON-Logo	x
	W450-0005	Logo-Federclip	x
	N510-0013	Schwarzer Silikon-Haubenanschlagschutz	x
3	N570-0091	1/4-20 x 1/2"-Schraube	x
4	N010-0738	Haubengriff	x
	N080-0287-GY1HT	Abdeckung Griff	x
	N570-0042	10-24 x 3/8"-Schraube	x
5	N685-0014	Thermometer	x
6	N500-0048BK1HT	Holzkohlekorb	x
7	N335-0044L	Edelstahl-Haubeneinsatz	x
8	N585-0081	Hitzeschild Haube	x
9	N135-0042-GY1HT	Linkes Hauben-Gussteil	x
10	N135-0043-GY1HT	Rechtes Hauben-Gussteil	x
11	N010-0553	Hauben-Baugruppe	x
12	N010-0550P	Rückseitiger	x
13	N565-0005	Rückseitiger brenner	x
14	N570-0008	Nr. 8 x 1/2"-Schraube	x
15	N305-0064	Grillroste	x
16	N325-0054	Griff äußerer Hebel Holzkohleeinsatz	x
17	N540-0004	Federring	x
18	W450-0032	Sperrmutter 1/4-20	x
19	N010-0555	Griff Holzkohleeinsatz-Hebel	x
20	N570-0084	1/4-20 X 2"-Schraube	x
21	N010-0606P	Holzkohleeinsatz	x
22	N010-0551P	Rahmen Holzkohleeinsatz	x
23	N475-0301-M06	Drehspießhalterung	x
24	N590-0166	Seitenablage - links	x
25	N570-0082	1/4-20 X 5/8"-Schraube	x
26	N735-0001	Isolierte Unterlegscheibe	x
27	N080-0241P	Halterung	x
28	N010-0552P	Hebel	x
29	N080-0219	Halterung hinterer Arm	x
30	N655-0103P	Tragarm	x
31	N485-0012	Splint	x
32	N590-0167	Seitenablage - rechts	x
33	N010-0549	Aufsatz	x
34	N510-0010	Schwarzer Silikon-Haubenanschlagschutz	x
35	N630-0004	Feder	x
36	N570-0082	1/4-20 X 5/8"-Schraube	x
37	N010-0562	Frontplatte Unterbau	x
	N500-0042B	Entlüftunggriff	x
38	N570-0013	Nr. 8 x 1/2"-Schraube	x
39	N555-0034	Schwenkstange für Holzkohle-Ladeklappe	x
40	N010-0554	Holzkohle-Ladeklappe	x
41	N570-0073	1/4-20 X 3/8"-Schraube	x
42	N710-0057P	Aschebehälter/Tropfschale	x
43	N475-0214P	Rückseitiges Panel	x
44	N475-0213P	Linkes / Rechtes Panel für Seitenschrank	x
45	N010-0548	Wagentür-Baugruppe	x
46	N325-0049	Türgriff	x
	N570-0073	1/4-20 X 3/8"-Schraube	x

Stückliste

Position	Teilenr.	Beschreibung	605
	N735-0003	Sicherungsscheibe, 1/4 Zoll	x
47	N555-0018	Türscharnierstange	x
48	N105-0011	Türscharnier-Buchsen	x
49	N130-0012	Drehbare Lenkrollen	x
50	N430-0002	Magnetschnapper	x
51	N590-0165P	Unterer Regalboden	x
52	N130-0013	Nicht drehbare Lenkrollen	x
53	N450-0027	Sperrmutter 1/4-20	x
54	N520-0024	Warmhalterost	x
55	N080-0212P	Befestigungen (zur Stabilisierung)	x
56	Z340-0001	Werkzeughaken-Seite Regal	x
57	N570-0088	Nr. 10-24 x 1/2"-Schraube	x
58	N735-0007	Sicherungsscheibe, 1/4 Zoll	x
59	N385-0244	Logo	x
	W450-0005	Logo-Federclip	x
	65331	Drehspieß-Baugruppe NA	ac
	65332	Drehspieß-Baugruppe CE	ac
	65333	Drehspieß-Baugruppe GB	ac
	63605	Vinylabdeckung	ac
	56018	Grillblech aus Rostfreistahl	ac

x - Standard

ac -Zubehör

LISTA DE PIEZAS

Elemento	Nº de pieza	Descripción	605
1	N570-0015	tornillo de eje de la tapa	x
2	N385-0191	logotipo de NAPOLEON	x
	W450-0005	presillas para el logotipo	x
	N510-0013	parachoques de la tapa (silicona, negro)	x
3	N570-0091	tornillo 1/4-20 x 1/2"	x
4	N010-0738	mango de la tapa	x
	N080-0287-GY1HT	cubierta mango de la tapa	x
	N570-0042	tornillo 10-24 x 3/8"	x
5	N685-0014	medidor de temperatura	x
6	N500-0048-BK1HT	Chapa del separador de carbón	x
7	N335-0044L	inserción de tapa de acero inoxidable	x
8	N585-0081	pantalla térmica	x
9	N135-0042-GY1HT	fundición de la tapa lateral izquierda	x
10	N135-0043-GY1HT	fundición de la tapa lateral derecha	x
11	N010-0553	conjunto de campana	x
12	N010-0550P	posterior quemador	x
13	N565-0005	pantalla posterior quemador	x
14	N570-0008	tornillo #8 x 1/2"	x
15	N305-0064	rejillas de cocción	x
16	N325-0054	Mango de la palanca externa de la bandeja para carbón	x
17	N540-0004	Arandela elástica	x
18	W450-0032	tuerca 1/4-20	x
19	N010-0555	Montaje del mango de la palanca externa de la bandeja para carbón	x
20	N570-0084	tornillo 1/4-20 x 2"	x
21	N010-0606P	Montaje de la bandeja para carbón	x
22	N010-0551P	Montaje del bastidor de la bandeja para carbón	x
23	N475-0301-M06	soporte de la rotisserie	x
24	N590-0166	estante lateral de, izquierdo	x
25	N570-0082	tornillo 1/4-20 x 5/8"	x
26	N735-0001	arandela de seguridad	x
27	N080-0241P	Saliente del soporte	x
28	N010-0552P	Montaje de la palanca	x
29	N080-0219	Brazo posterior del soporte	x
30	N655-0103P	Brazo de apoyo	x
31	N485-0012	Pasador	x
32	N590-0167	estante lateral de, derecho	x
33	N010-0549	base	x
34	N510-0010	parachoques de la tapa (silicona, negro)	x
35	N630-0004	Muelle	x
36	N570-0082	tornillo 1/4-20 x 5/8"	x
37	N010-0562	Montaje del panel delantero de la base	x
	N500-0042B	Llave del orificio de ventilación	x
38	N570-0013	tornillo #8 x 1/2"	x
39	N555-0034	Vástago de la compuerta de acceso al carbón	x
40	N010-0554	Montaje de la compuerta de acceso al carbón	x
41	N570-0073	tornillo 1/4-20 x 3/8"	x
42	N710-0057P	Bandeja para cenizas / bandeja de goteo	x
43	N475-0214P	panel posterior del carro	x
44	N475-0213P	panel izquierdo/derecho del carro	x
45	N010-0548	conjunto de la puerta del carro	x
46	N325-0049	mango de la puerta	x
	N570-0073	tornillo 1/4-20 x 3/8"	x

LISTA DE PIEZAS

Elemento	Nº de pieza	Descripción	605
	N735-0003	arandela de seguridad de 1/4"	x
47	N555-0018	varilla de eje de puerta	x
48	N105-0011	buje de la puerta	x
49	N130-0012	rueda fija	x
50	N430-0002	retén magnético	x
51	N590-0165P	estante inferior	x
52	N130-0013	rueda giratoria	x
53	N450-0027	tuerca 1/4-20	x
54	N520-0024	rejilla de calentamiento	x
55	N080-0212P	soportes estabilizadores	x
56	Z340-0001	gancho de estante lateral	x
57	N570-0088	tornillo 10-24 x 1/2"	x
58	N735-0007	arandela de seguridad de 1/4"	x
59	N385-0244	logo	x
	W450-0005	presillas para el logotipo	x
	65331	kit de la rotisserie NA	ac
	65332	kit de la rotisserie CE	ac
	65333	kit de la rotisserie GB	ac
	63605	cubierta de vinilo	ac
	56018	plancha de acero inoxidable	ac

x - estándar

ac - accesorio

OSALUETTELO

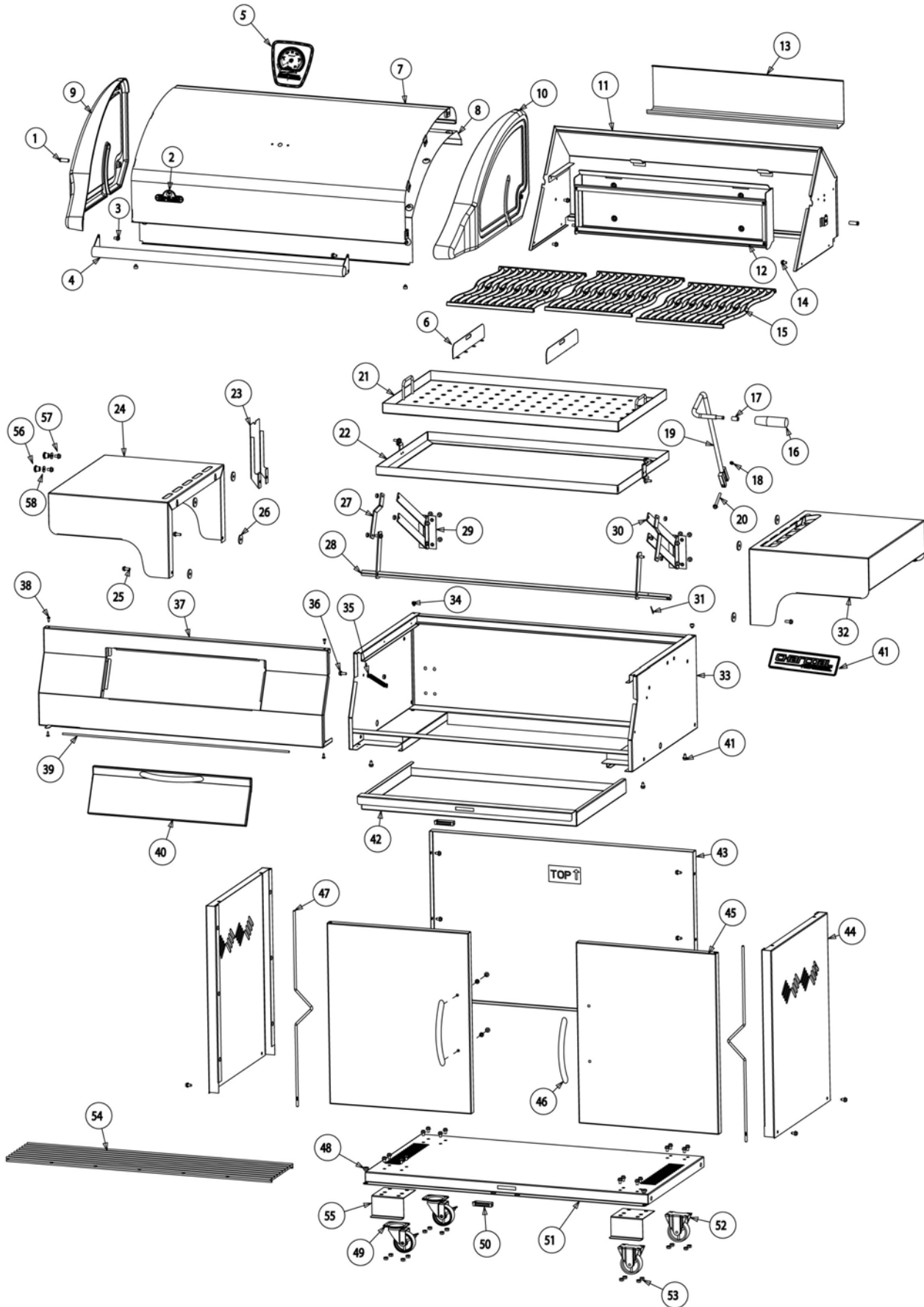
Nr	Del	Beskrivning	605
1	N570-0015	axeltapp till lock	x
2	N385-0191	logotype NAPOLEON	x
	W450-0005	läsbricka till logotype	x
	N510-0013	lockdämpare i svart silikon	x
3	N570-0091	1/4-20 x 1/2" skruv	x
4	N010-0738	handtag till lock	x
	N080-0287-GY1HT	lid casting cover	x
	N570-0042	10-24 x 3/8" screw	x
5	N685-0014	temperaturmätare	x
6	N500-0048-BK1HT	grillkolsavskiljare	x
7	N335-0044L	insida lock i rostfritt stål	x
8	N585-0081	värmesköld lock	x
9	N135-0042-GY1HT	gjuten sidopanel till lock vänster	x
10	N135-0043-GY1HT	gjuten sidopanel till lock höger	x
11	N010-0553	förmonterad huv	x
12	N010-0550P	förmonterad bakre brännare	x
13	N565-0005	nät bakre brännare	x
14	N570-0008	#8 x 1/2" skruv	x
15	N305-0064	grillgaller - gjutjärn	x
16	N325-0054	yttre handtag till grilltrågsjustering	x
17	N540-0004	låsring	x
18	W450-0032	låsmutter 1/4-20	x
19	N010-0555	spak till grilltrågsjustering	x
20	N570-0084	1/4-20 x 2" skruv	x
21	N010-0606P	grillkolstråg	x
22	N010-0551P	ram till grillkolstråg	x
23	N475-0301-M06	fäste för rotisserie	x
24	N590-0166	sidohylla i rostfritt stål - vänster	x
25	N570-0082	1/4-20 x 5/8" skruv	x
26	N735-0001	isolerad bricka	x
27	N080-0241P	fästarm	x
28	N010-0552P	nivåstång	x
29	N080-0219	fäste för armlid till nivåstång	x
30	N655-0103P	armled till nivåstång	x
31	N485-0012	pinnbult	x
32	N590-0167	sidohylla i rostfritt stål - höger	x
33	N010-0549	förmonterad bottendel	x
34	N510-0010	lockdämpare i svart silikon	x
35	N630-0004	fjäder	x
36	N570-0082	1/4-20 x 5/8" skruv	x
37	N010-0562	förmonterad front till bottendel	x
	N500-0042B	reglage till ventil	x
38	N570-0013	#8 x 1/2"skruv	x
39	N555-0034	axel för påfyllnadslucka	x
40	N010-0554	förmonterad påfyllnadslucka	x
41	N570-0073	1/4-20 x 3/8" skruv	x
42	N710-0057P	ask/droppbehållare	x
43	N475-0214P	bakre panel	x
44	N475-0213P	vänster och höger sidopaneler till skåp	x
45	N010-0548	förmonterad dörr till underdel	x
46	N325-0049	dörrhandtag	x
	N570-0073	1/4-20 x 3/8" skruv	x

OSALUETTELO

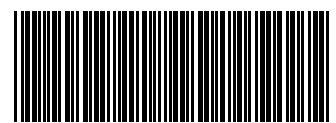
Nr	Del	Beskrivning	605
	N735-0003	1/4" låsbricka	x
47	N555-0018	axel till dörr	x
48	N105-0011	bussning till dörrar.	x
49	N130-0012	vridbara hjul	x
50	N430-0002	magnetfäste	x
51	N590-0165P	bottenplatta	x
52	N130-0013	fasta hjul	x
53	N450-0027	låsmutter 1/4-20	x
54	N520-0024	varmhållningsgaller	x
55	N080-0212P	tippskydd	x
56	Z340-0001	redskapskrok till sidohylla	x
57	N570-0088	10-24 x 1/2"skruv	x
58	N735-0007	1/4" bricka	x
59	N385-0244	logo	x
	W450-0005	låsbricka till logotype	x
	65331	rotisserie set NA	ac
	65332	rotisserie kit CE	ac
	65333	rotisserie kit GB	ac
	63605	grillöverdrag	ac
	56018	grillgaller i rostfritt stål	ac

x - standard

ac -tarvikkeet







N415-0279