

# ASSEMBLY INSTRUCTIONS FOR OUTDOOR TABLE




FIND A VIDEO ON HOW TO  
ASSEMBLE THE OUTDOOR TABLE AT  
[COZZEBBQ.COM/ASSEMBLY](http://COZZEBBQ.COM/ASSEMBLY)

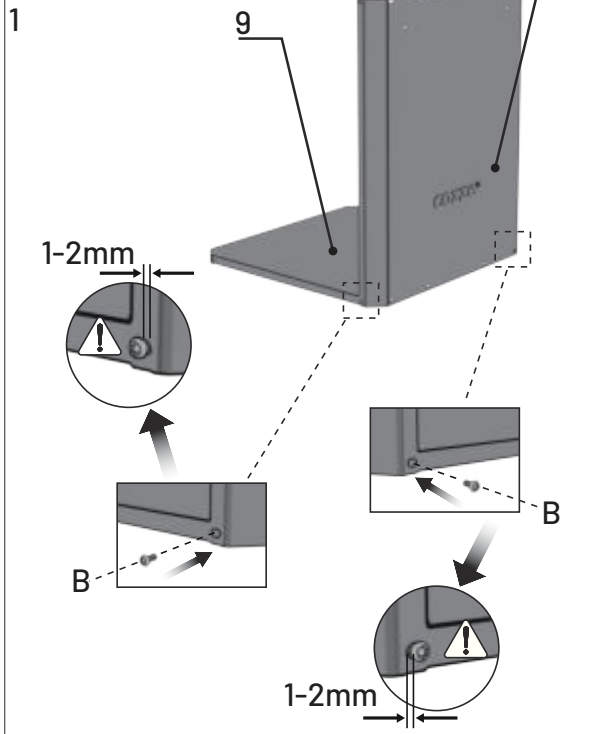


**cozze®**

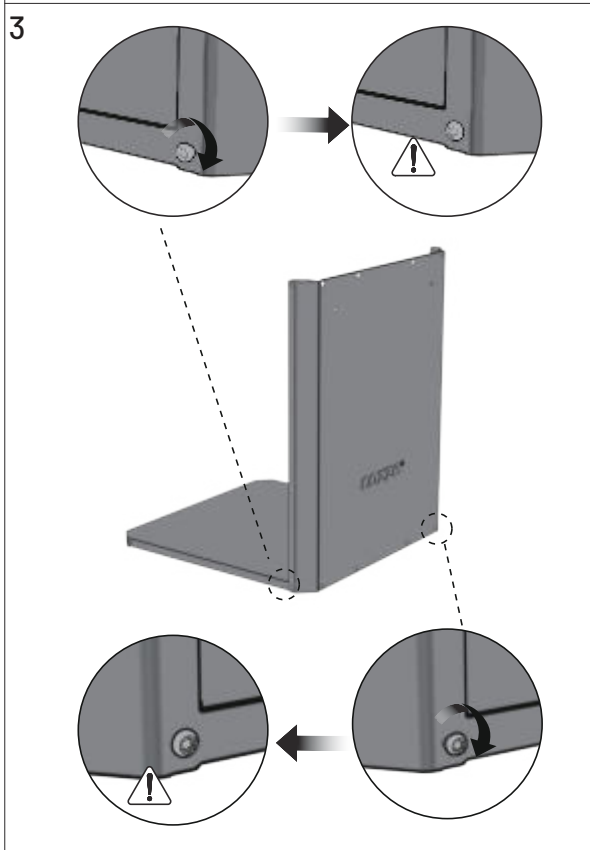
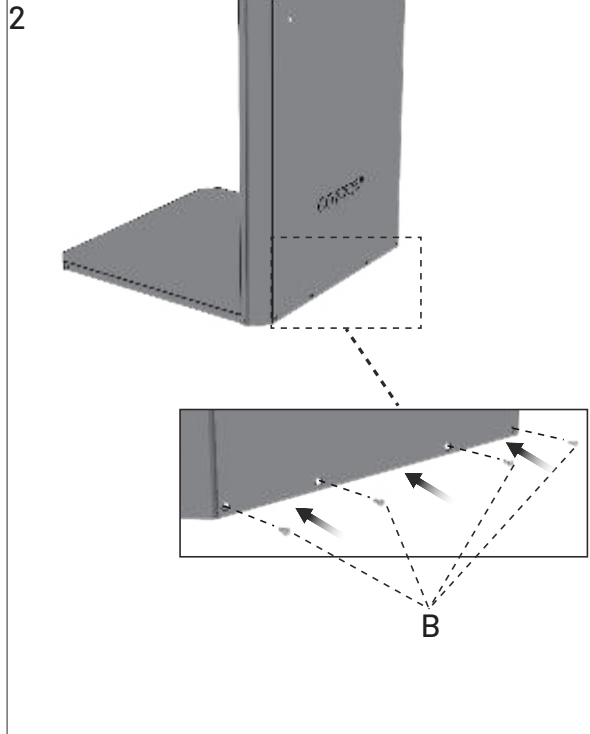
					1		*1	6		*1	
					2		*6	7		*1	
					3		*2	8		*2	
					4		*4	9		*1	
					5		*1	10		*4	
A	M6*16	*4	B	M6*12	*28	L	M4*8	*4	K	Φ16*Φ6.5	*4



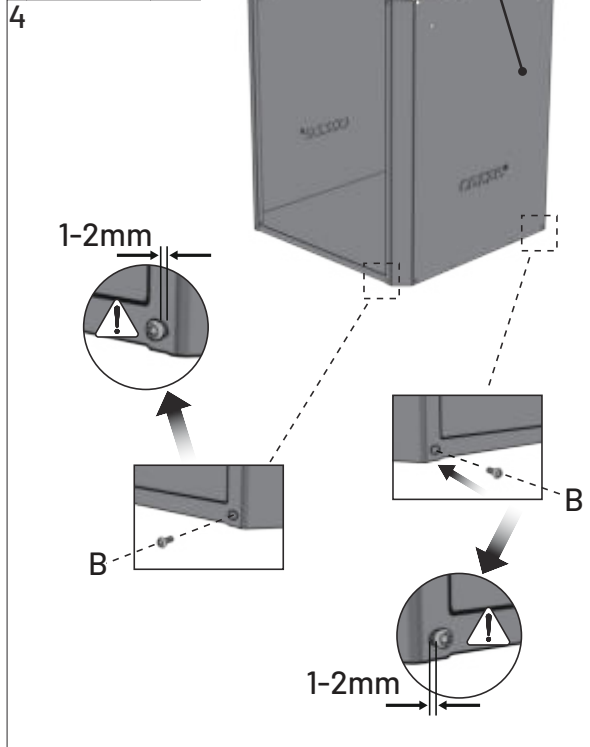
M6*12		2pcs.
B		



M6*12		4pcs.
B		

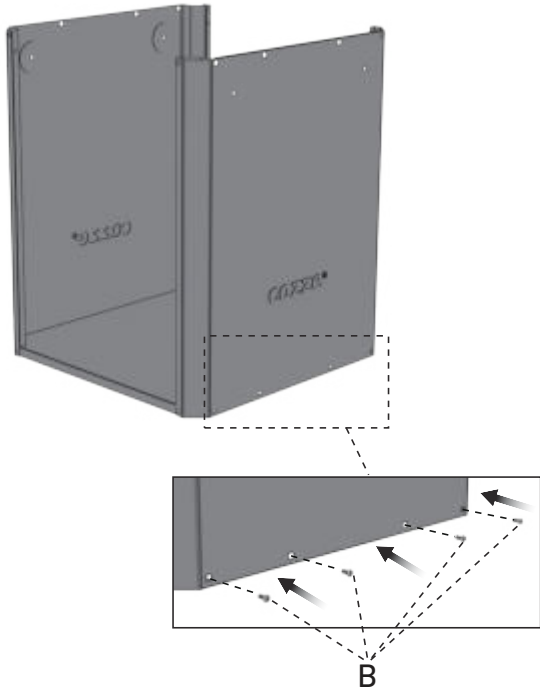


M6*12		2pcs.
B		

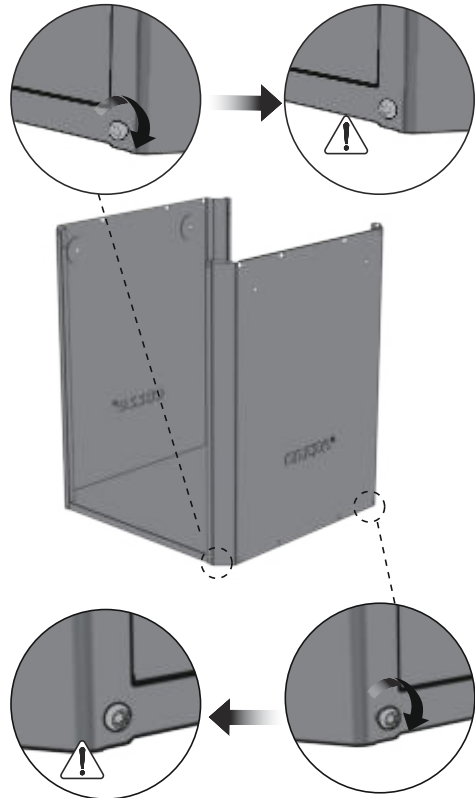


M6*12		4pcs.
-------	---	-------

5

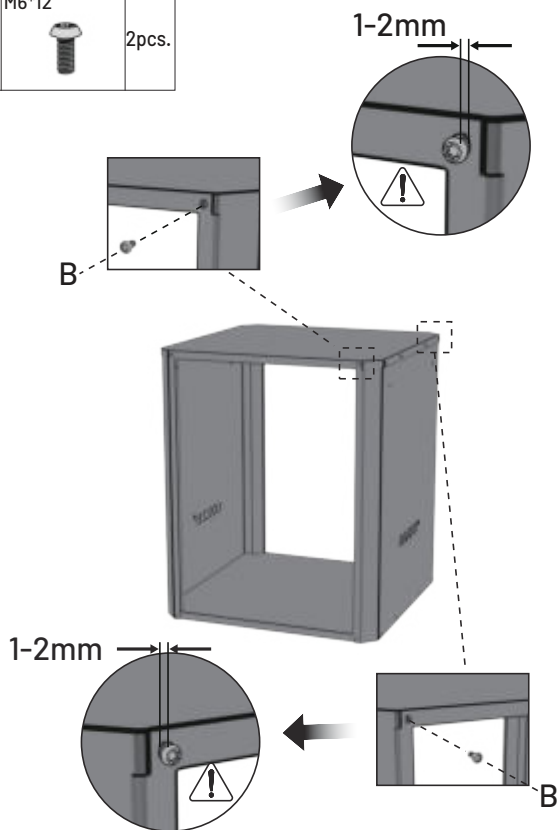


6



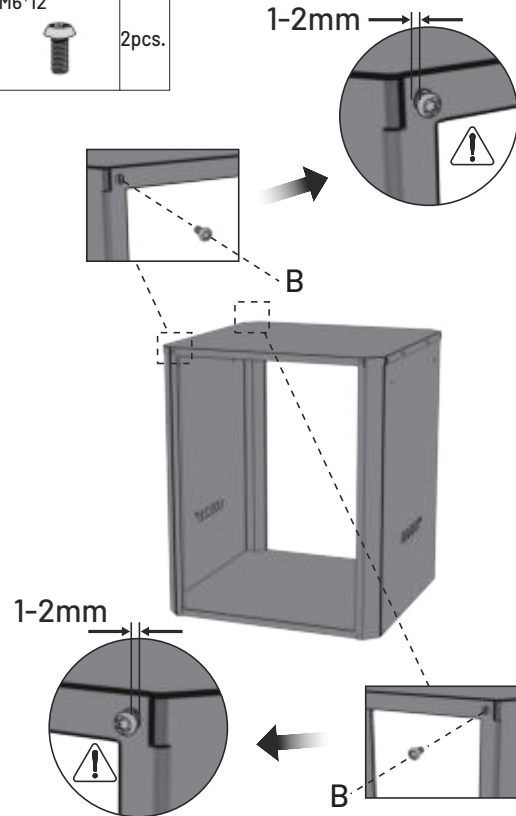
M6*12		2pcs.
-------	---	-------

7



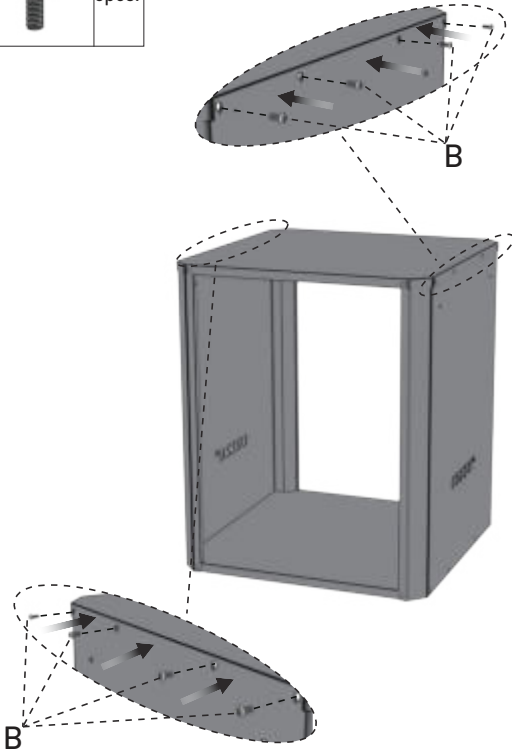
M6*12		2pcs.
-------	---	-------

8

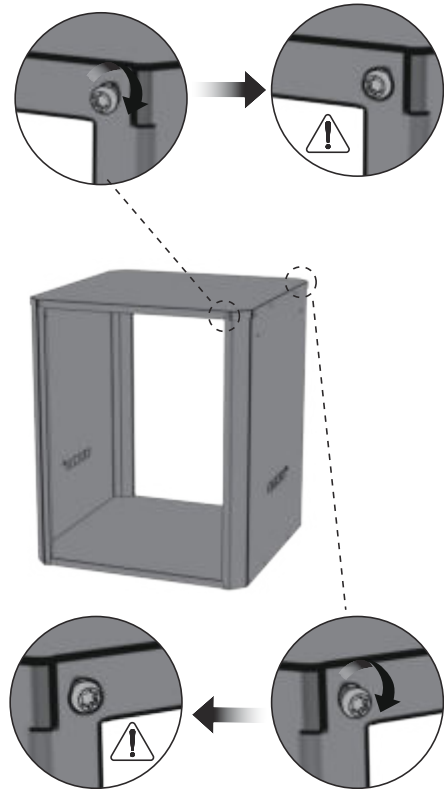


M6*12		8pcs.
B		

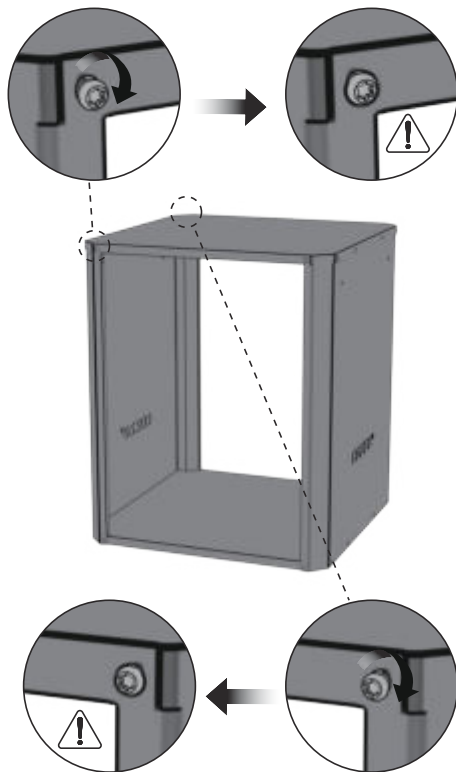
9



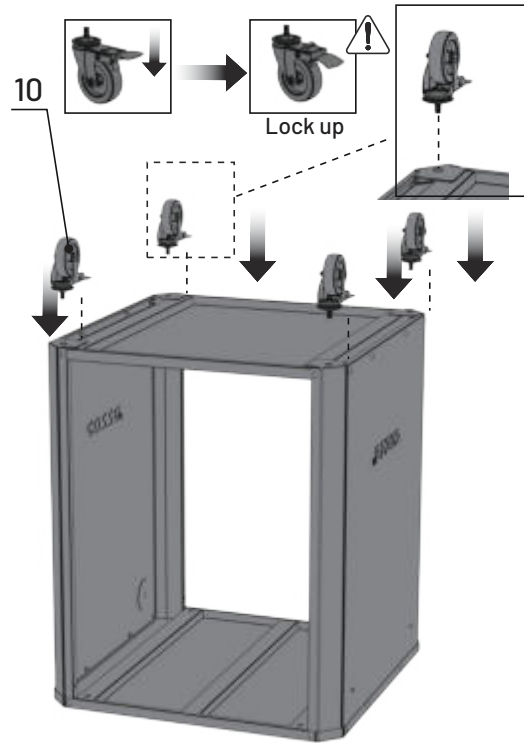
10





11

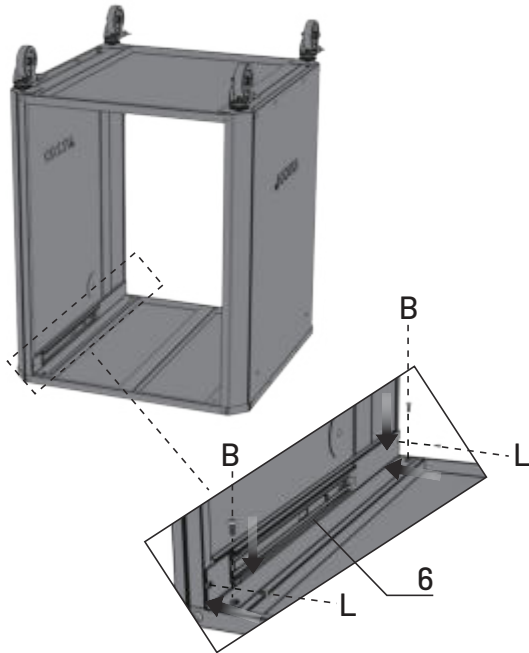




12



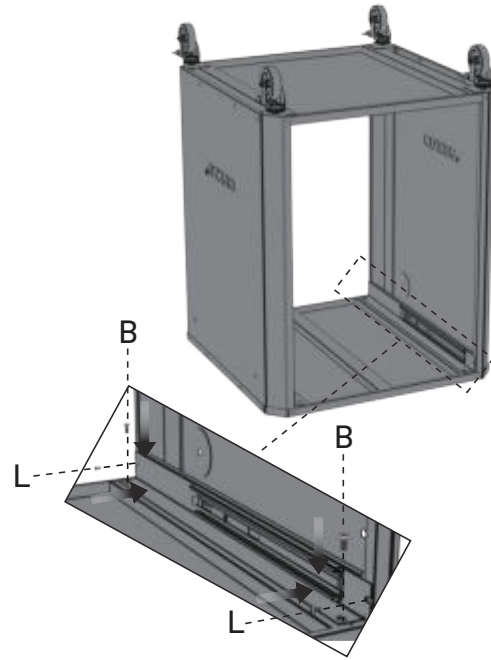
M6*12		2pcs.	M4*8		2pcs.
-------	---	-------	------	---	-------

13

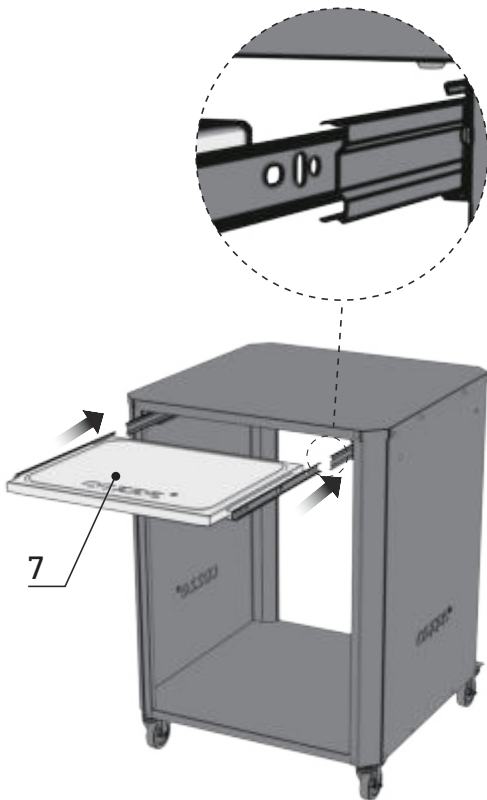


M6*12		2pcs.	M4*8		2pcs.
-------	---	-------	------	---	-------

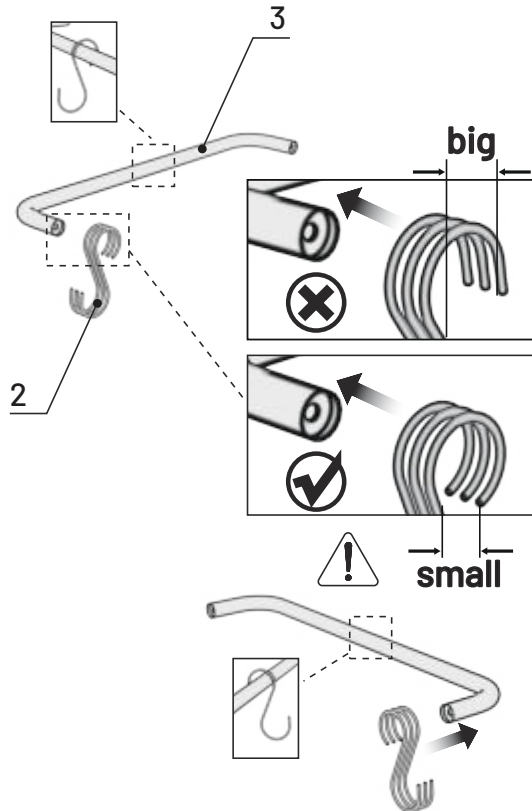
14



15



16



CHILLNESS  
BY COLLE



FIND A VIDEO ON HOW TO  
ASSEMBLE THE OUTDOOR TABLE AT  
[COZZEBBQ.COM/ASSEMBLY](https://cozzebbq.com/assembly)



Manufactured by  
**Millarco International A/S**  
Rokhøj 26, 8520 Lystrup - Denmark  
[millarco.com](https://millarco.com)  
[cozzebbq.com](https://cozzebbq.com)



**cozze**®