

90531

ASSEMBLY INSTRUCTIONS FOR CORNER TABLE

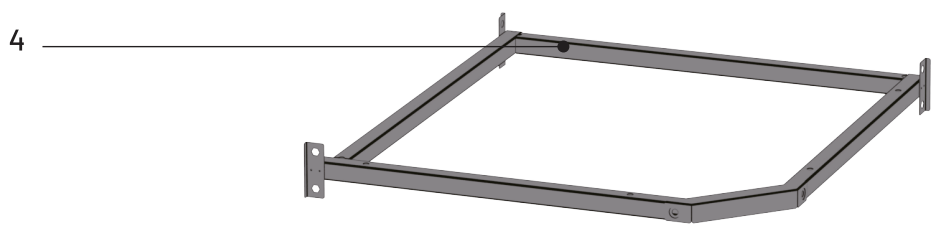
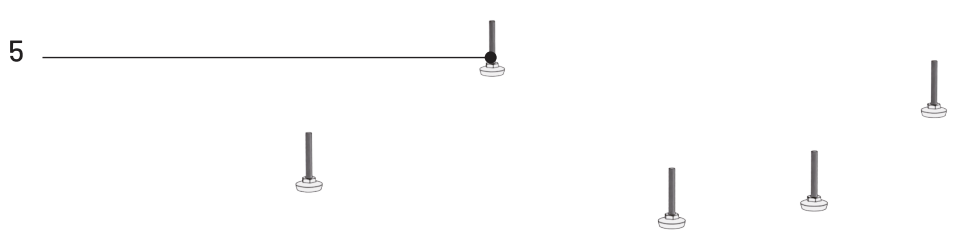
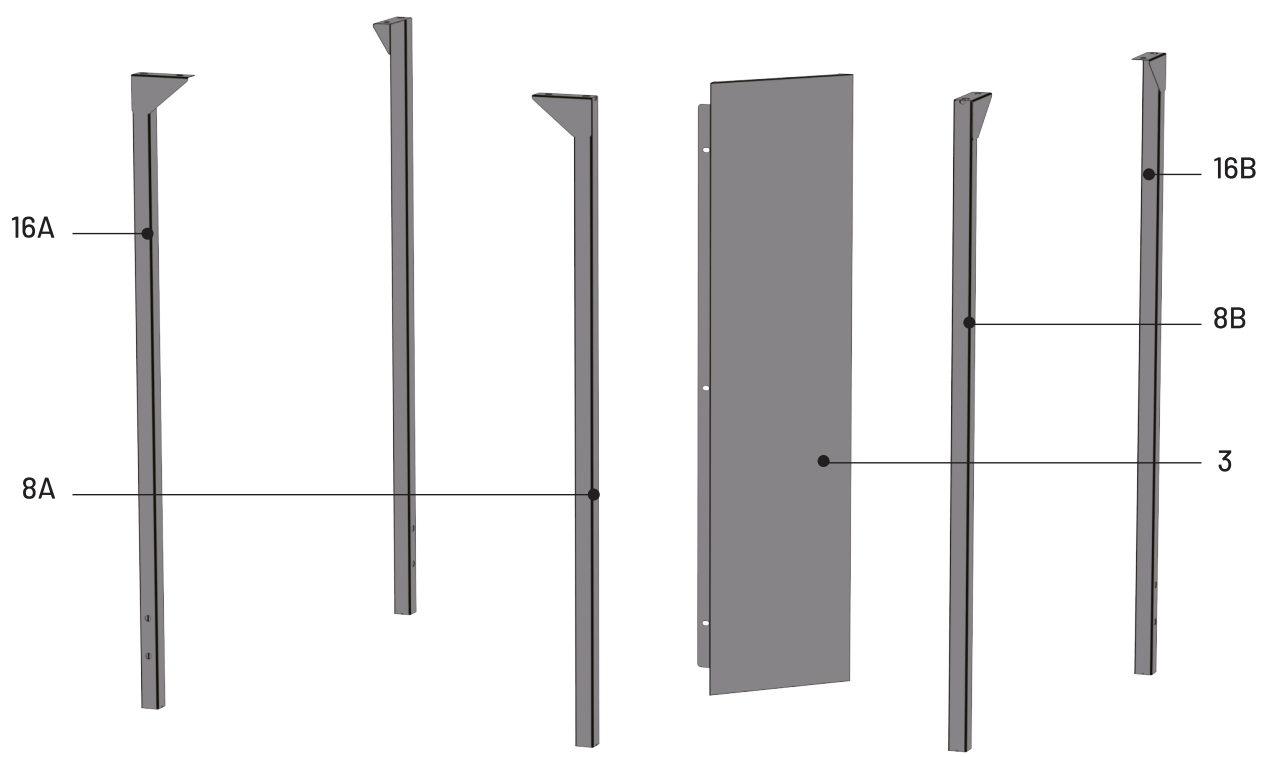
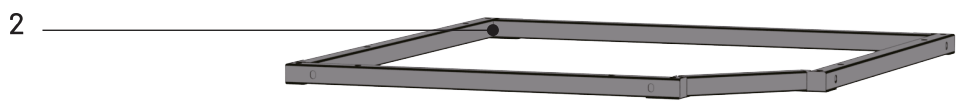
DESIGN YOUR DREAM WITH
COZZE

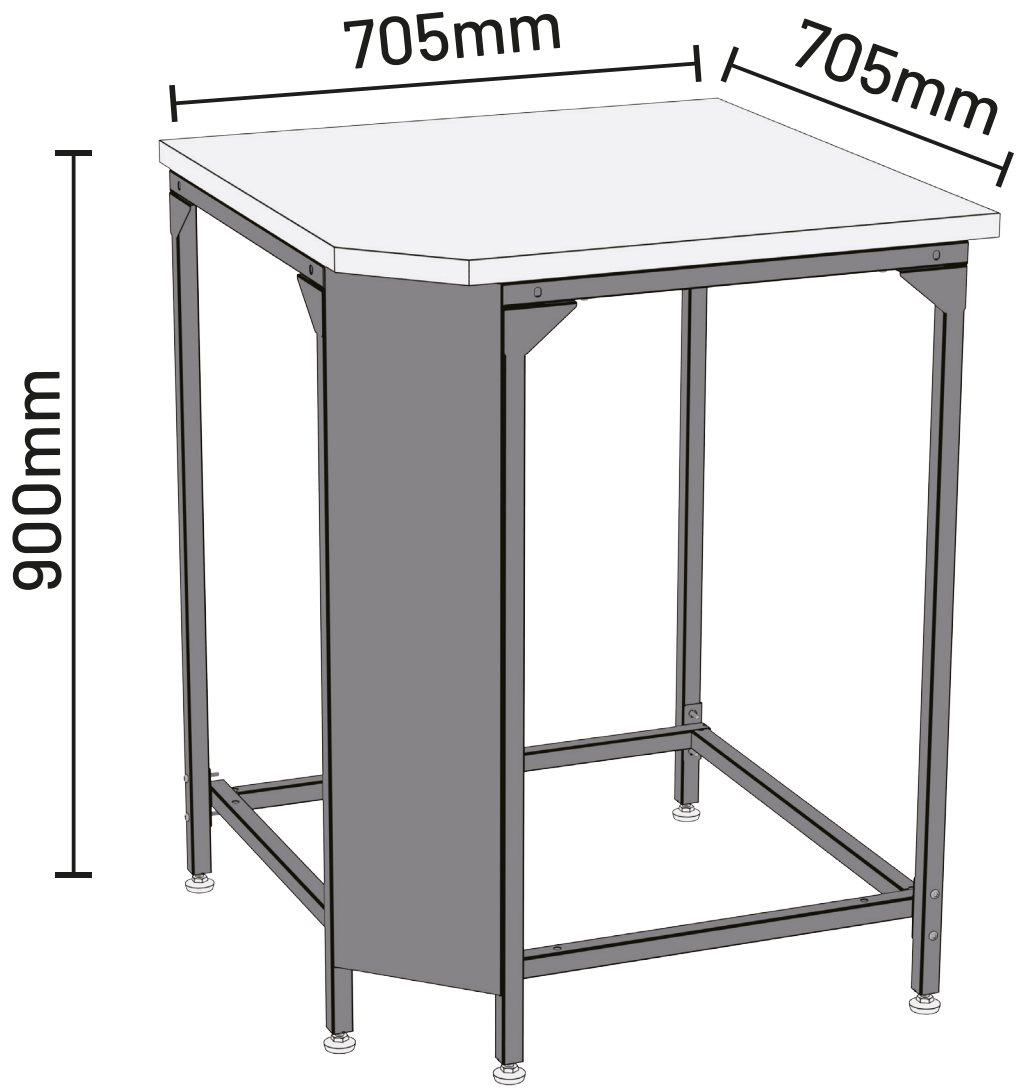



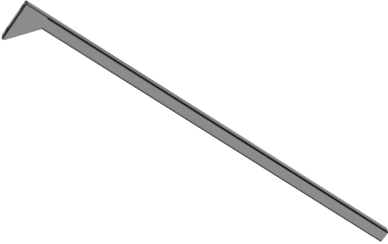
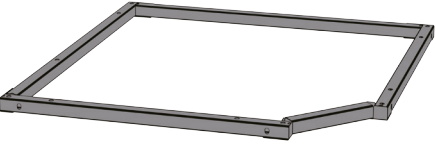

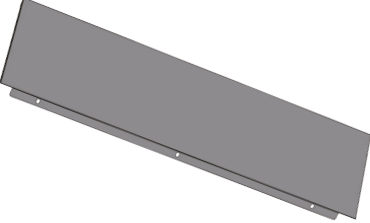

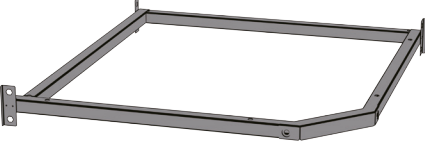

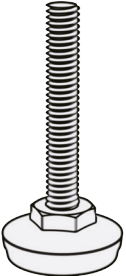
FIND A VIDEO ON
HOW TO ASSEMBLE THE TABLE
AT [COZZEBBQ.COM/ASSEMBLY](https://cozzebbq.com/assembly)

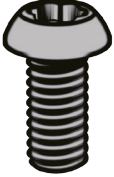




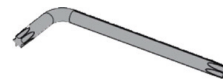
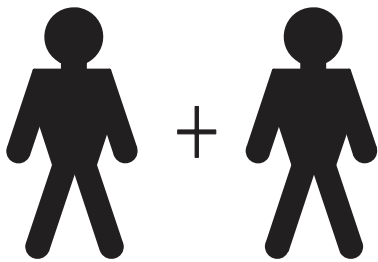
cozze®

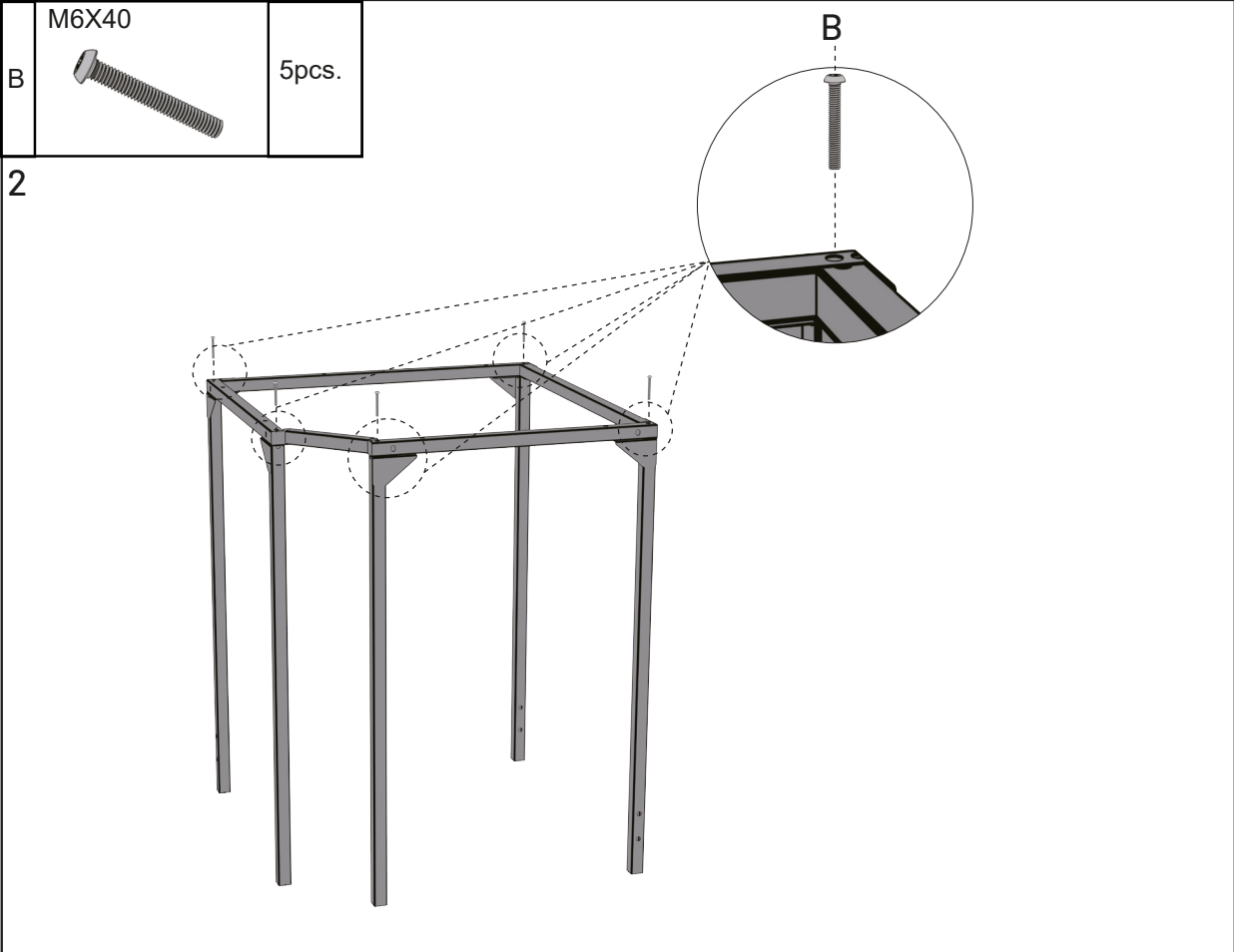
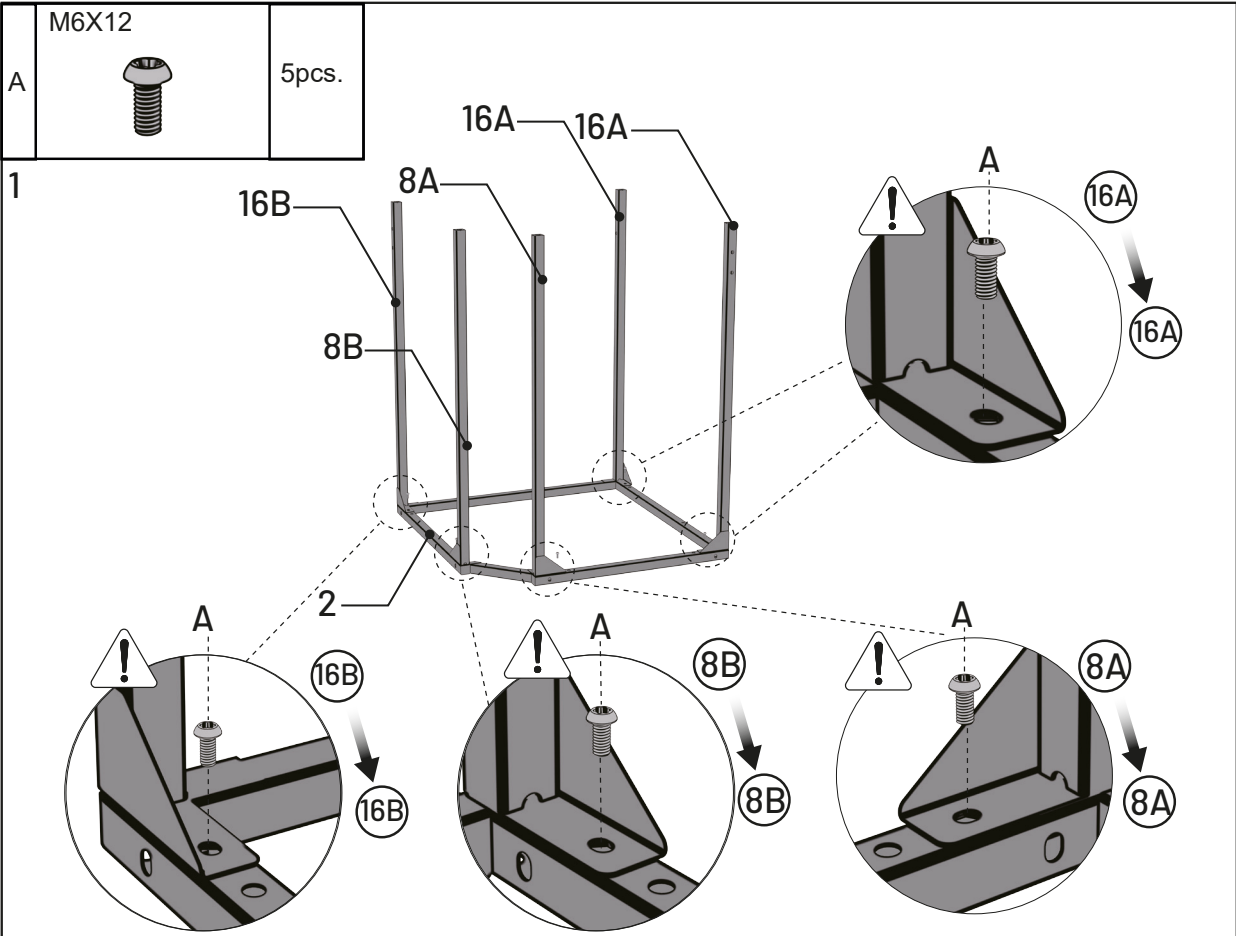





1		1pc.	8A		1pc.
2		1pc.	8B		1pc.
3		1pc.	16A		2pcs.
4		1pc.	16B		1pc.
5		5pcs.			

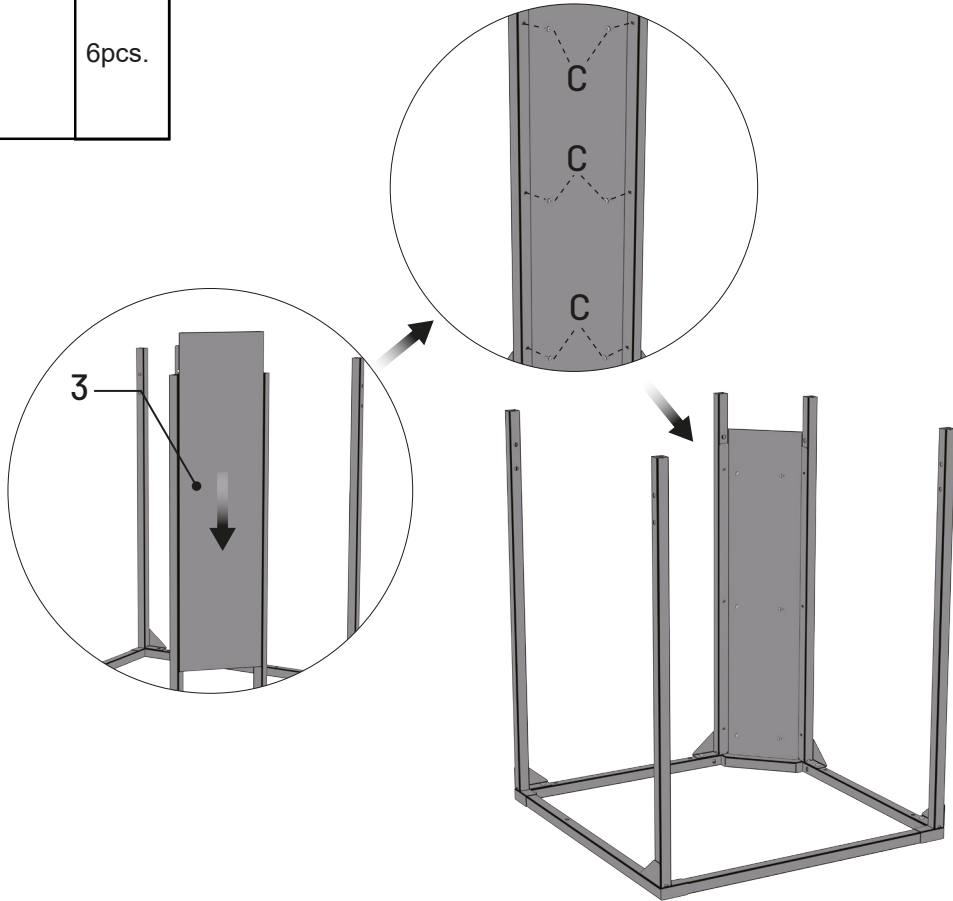
A	M6X12 	5pcs.	C	ST4.2X10 	6pcs.
B	M6X40 	17pcs.			






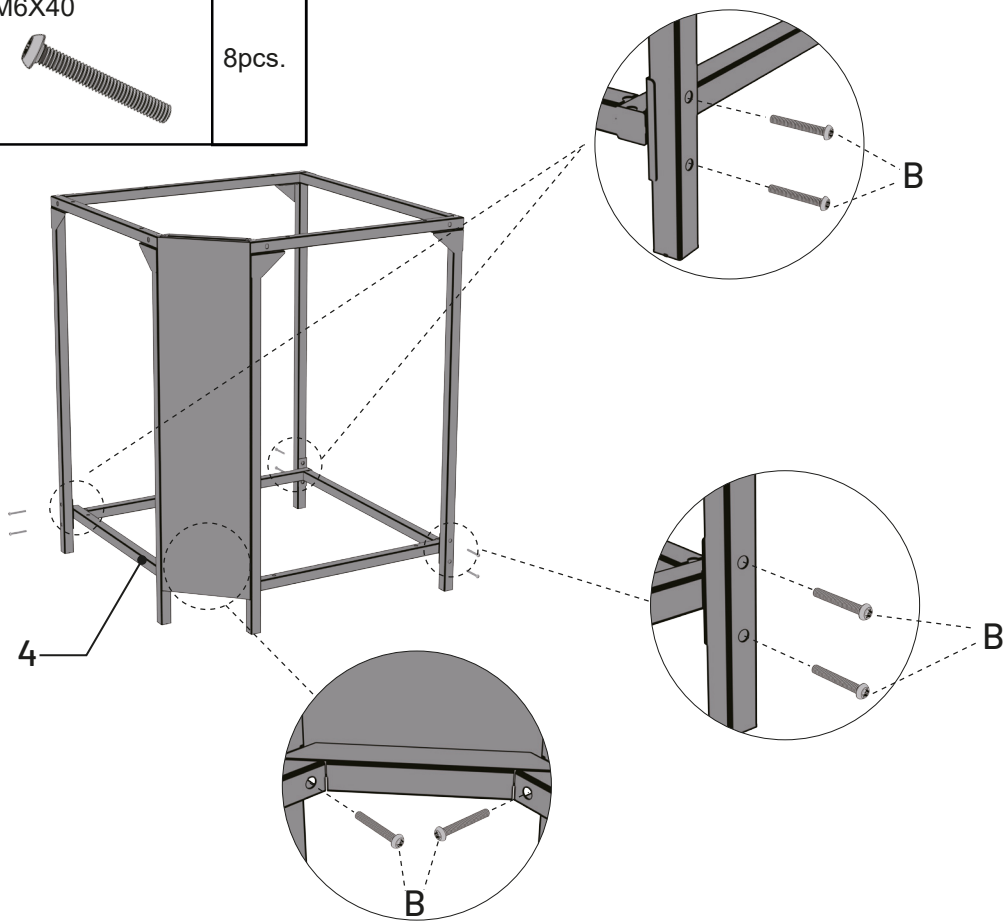
C	ST4.2X10 	6pcs.
---	---	-------

3

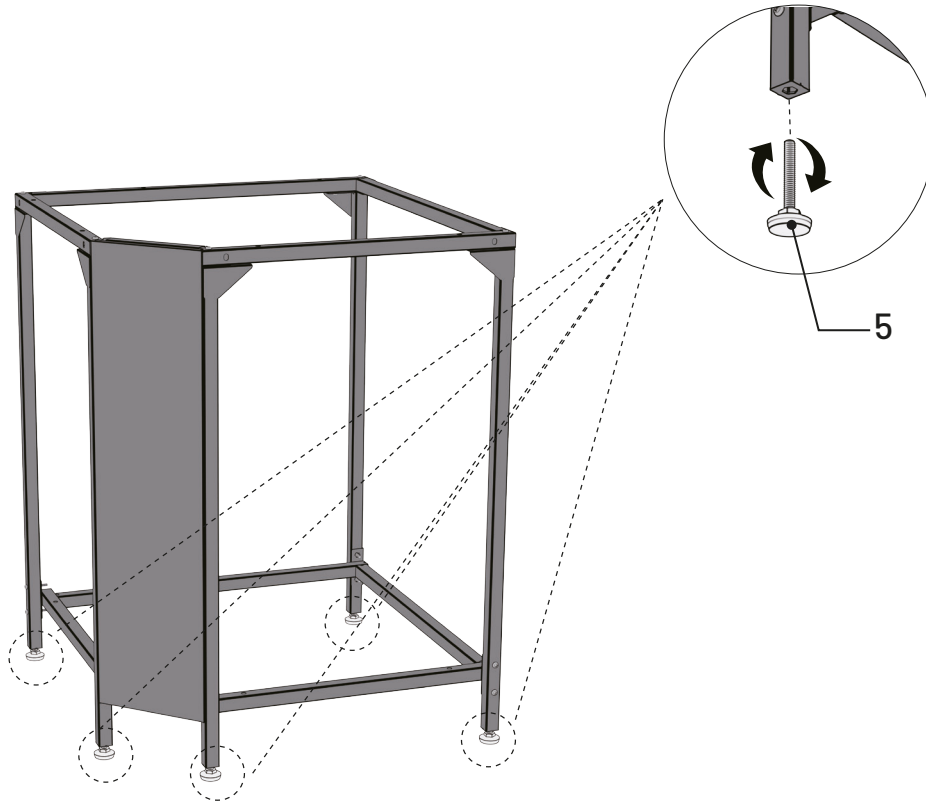



B	M6X40 	8pcs.
---	--	-------

4

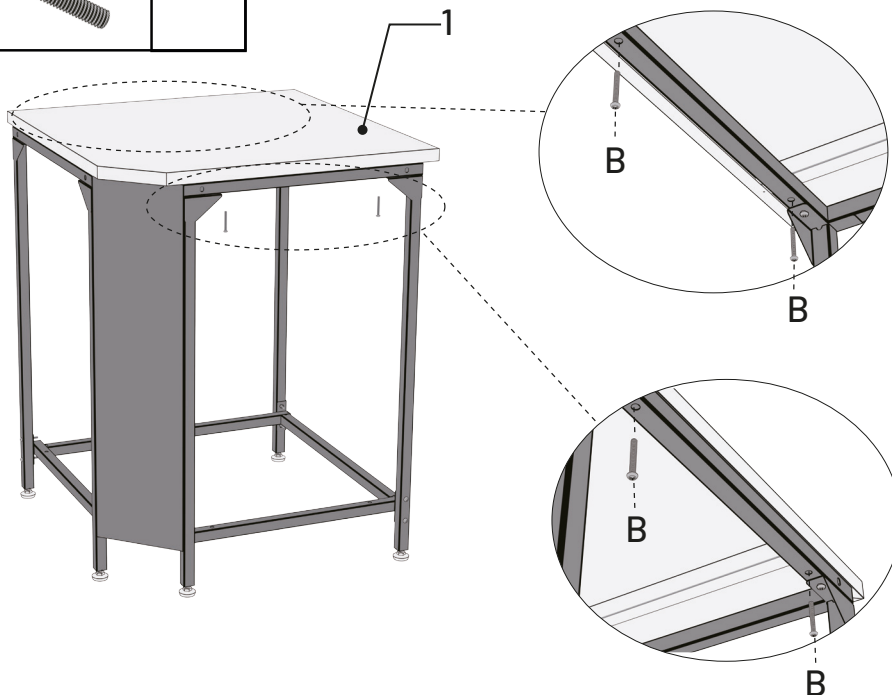


5



	M6X40	
B		4pcs.

6



7



OK



FIND A VIDEO ON HOW TO
ASSEMBLE YOUR NEW COZZE TABLE AT
[COZZEBBQ.COM/ASSEMBLY](https://cozzebbq.com/assembly):



Manufactured by
Millarco International A/S
Rokhøj 26, 8520 Lystrup - Denmark
millarco.com
cozzebbq.com

cozze®