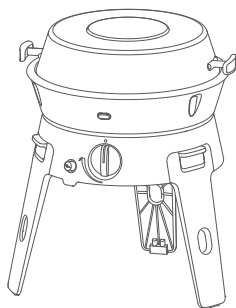


MOBILE COOKING

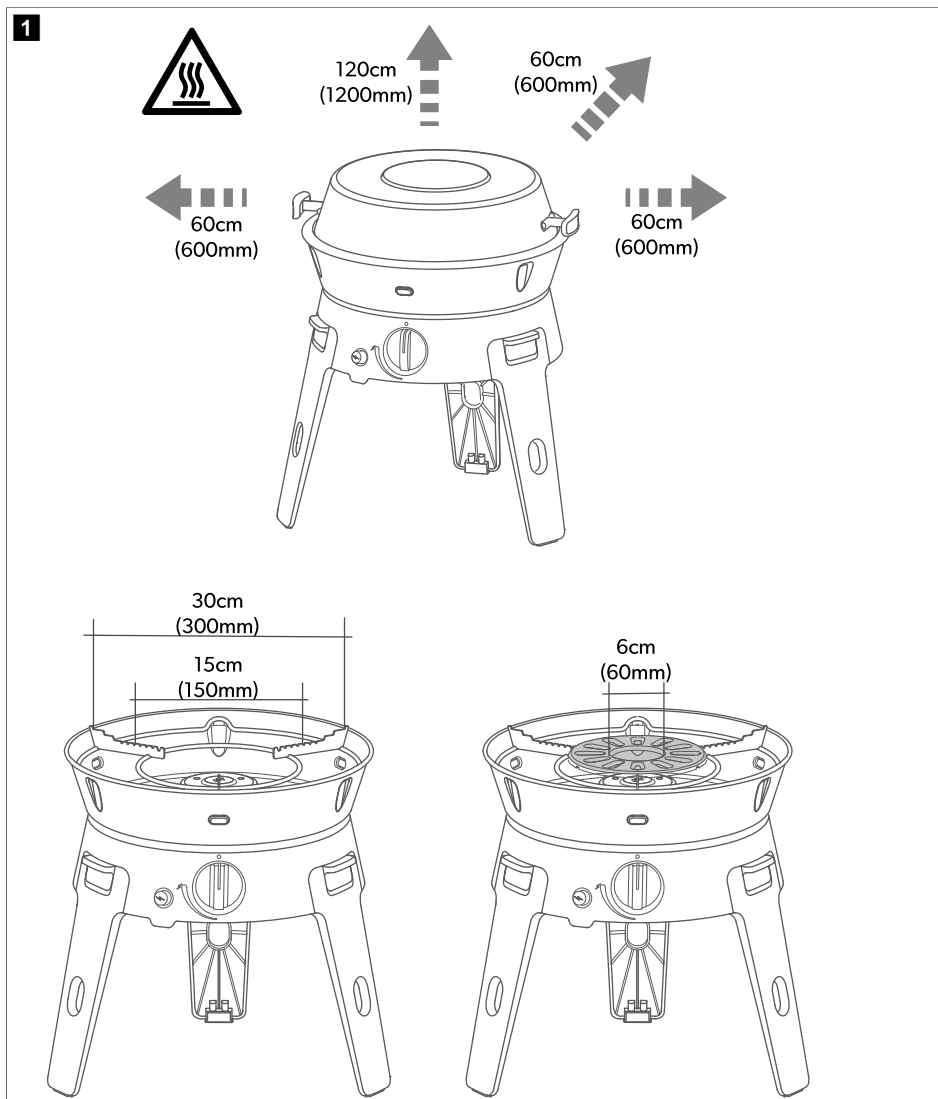
SAFARI CHEF 30 LP

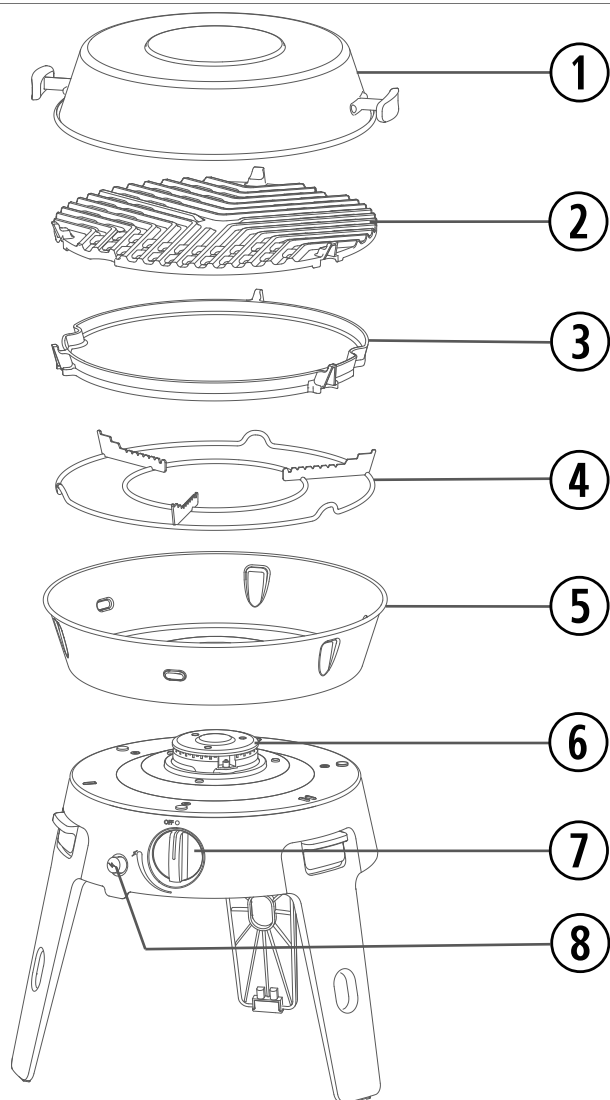


Safari Chef 30 LP 6545

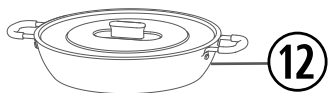
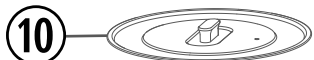
EN	Gas Barbecue Operating manual.....	8	SK	Plynový gril Návod na obsluhu.....	111
DE	Gasgrill Bedienungsanleitung.....	16	CS	Plynový gril Návod k obsluze.....	119
FR	Barbecue à gaz Manuel d'utilisation.....	25	HU	Gázgrill Használati utasítás.....	127
ES	Barbacoa de gas Instrucciones de uso.....	34	HR	Plinski roštilj Upute za rukovanje.....	136
PT	Grelhador a gás Manual de instruções.....	43	TR	Gazlı Barbekü Kullanma Kılavuzu.....	144
IT	Barbecue a gas Istruzioni per l'uso.....	52	SL	Plinski žar Navodilo za uporabo.....	152
NL	Gasbarbecue Gebruiksaanwijzing.....	61	RO	Grătar pe gaz Instrucțiuni de operare.....	160
DA	Gasgrill Betjeningsvejledning.....	70	BG	Барбекю на газ Инструкция за експлоатация.....	168
SV	Gasgrill Bruksanvisning.....	78	ET	Gaasgrill Kasutusjuhend.....	177
NO	Gassgrill Bruksanvisning.....	86	EL	Ψησταριά υγραερίου Οδηγίες χειρισμού.....	185
FI	Kaasugrilli Käyttöohje.....	94	LT	Dujinė kepsninė Naudojimo vadovas.....	195
PL	Grill gazowy Instrukcja obsługi.....	102	LV	Gāzes grils Lietošanas rokasgrāmata.....	203

List of Figures

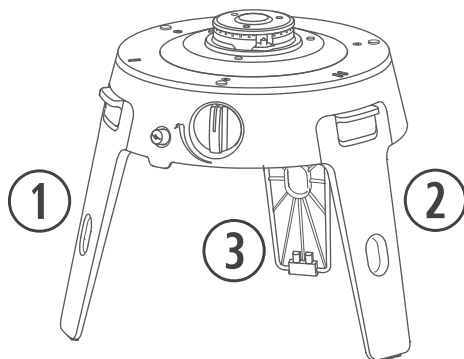
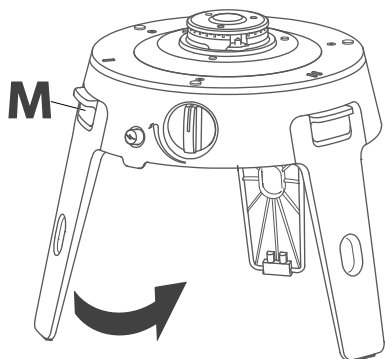
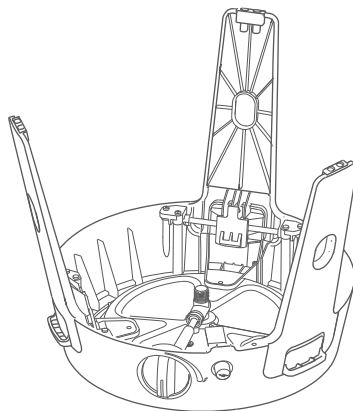
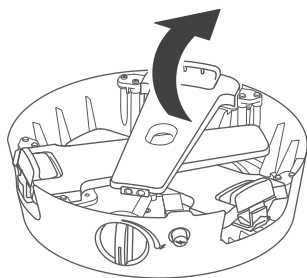


2

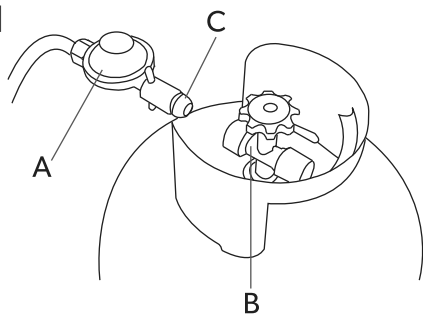
9 Quick Release Connection valve (UK)



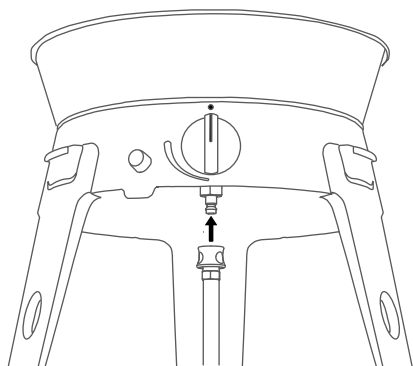
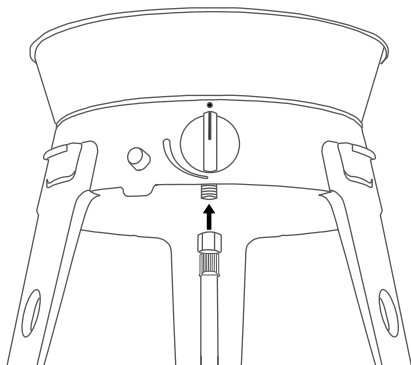
3



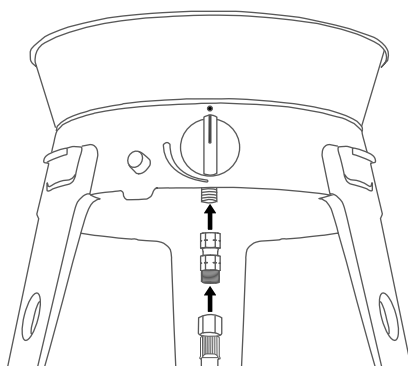
4



5

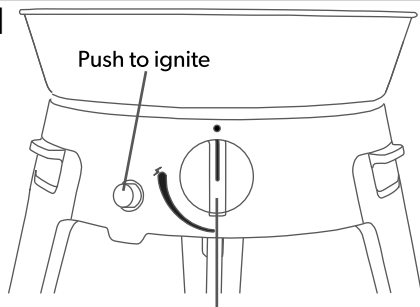


UK - QR Connection

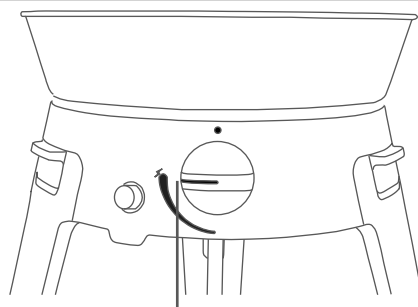


FR - adaptateur FRA

6

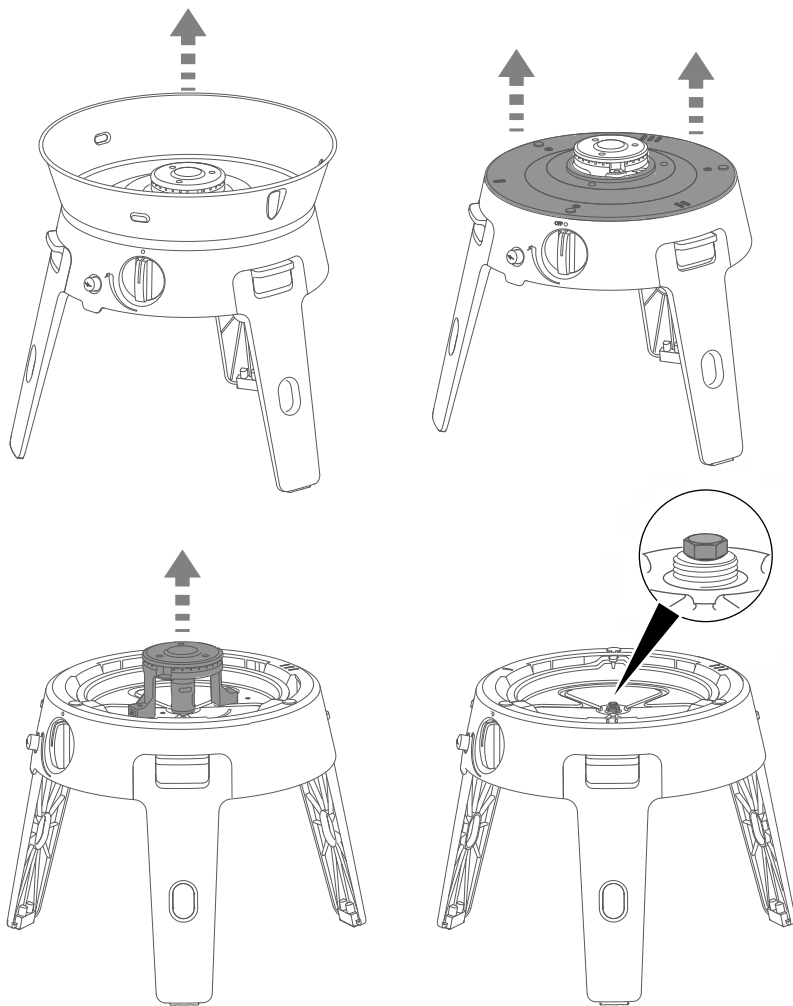


Push-in and turn

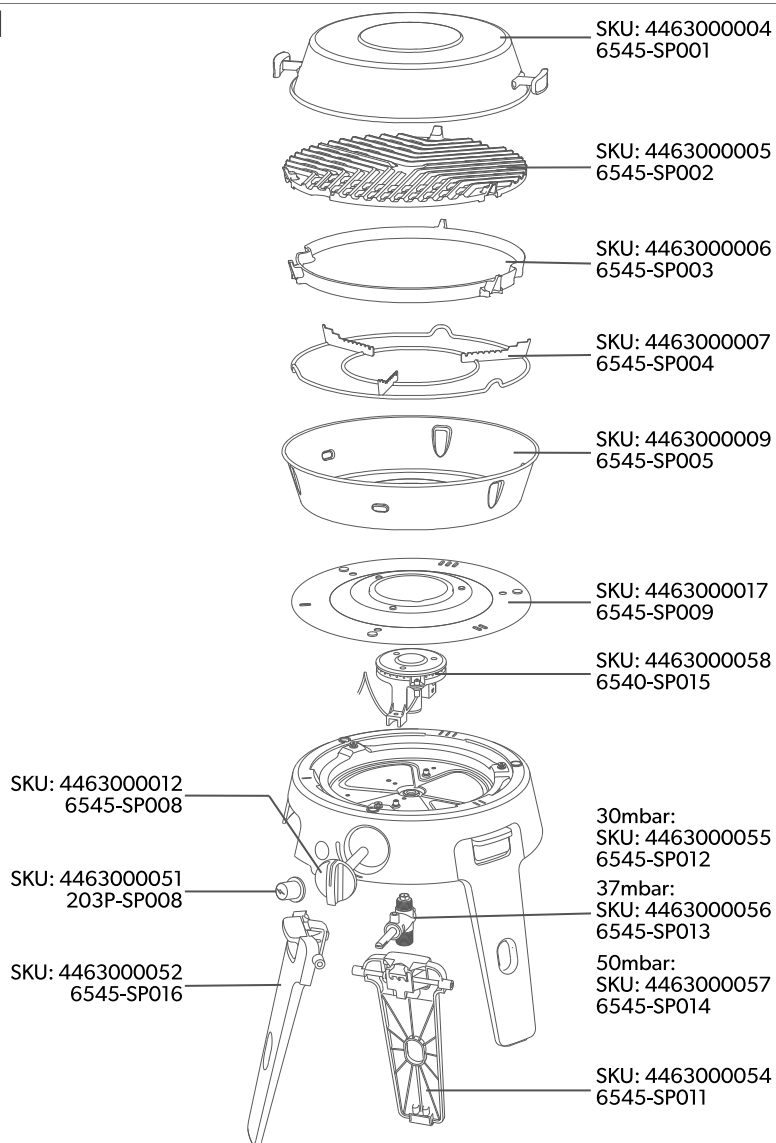


Ignition point

7



8



English

1	Important notes.....	8
2	Explanation of symbols.....	8
3	Safety Instructions.....	8
4	Gas leaks.....	10
5	Component List.....	10
6	Assembling the appliance.....	11
7	Operating the appliance.....	11
8	GreenGrill cooking surfaces.....	12
9	Cleaning the appliance.....	13
10	Storage.....	13
11	Maintenance and Troubleshooting.....	13
12	Spares.....	14
13	Warranty.....	14
14	Technical data.....	15

1 Important notes

Please read these instructions carefully and follow all instructions, guidelines, and warnings included in this product manual in order to ensure that you install, use, and maintain the product properly at all times. These instructions **MUST** stay with this product.

By using the product, you hereby confirm that you have read all instructions, guidelines, and warnings carefully and that you understand and agree to abide by the terms and conditions as set forth herein. You agree to use this product only for the intended purpose and application and in accordance with the instructions, guidelines, and warnings as set forth in this product manual as well as in accordance with all applicable laws and regulations. A failure to read and follow the instructions and warnings set forth herein may result in an injury to yourself and others, damage to your product or damage to other property in the vicinity. This product manual, including the instructions, guidelines, and warnings, and related documentation, may be subject to changes and updates. For up-to-date product information, please visit documents.domestic.com.

2 Explanation of symbols

A signal word will identify safety messages and property damage messages, and also will indicate the degree or level of hazard seriousness.



DANGER!

Indicates a hazardous situation that, if not avoided, will result in death or serious injury.



WARNING!

Indicates a hazardous situation that, if not avoided, could result in death or serious injury.



CAUTION!

Indicates a hazardous situation that, if not avoided, could result in minor or moderate injury.



NOTICE!

Indicates a situation that, if not avoided, can result in property damage.



NOTE Supplementary information for operating the product.

3 Safety Instructions

- > Read these instructions carefully to familiarize yourself with the appliance. All warranties will become void if you do not follow these instructions. Retain these instructions for future reference.

General safety

- > Failure to obey these warnings can result in death or serious injury.



WARNING! Carbon monoxide hazard

- > Never use this product indoors. The process of burning liquid gas produces carbon monoxide which accumulates inside enclosed areas.
- > This gas appliance consumes air (oxygen). Ensure that the appliance is used in a well-ventilated area.
- > Provide extra ventilation if more gas appliances are added to the environment.
- > Do not operate this product in unventilated areas such as enclosed premises, tents, awning tents, motor vehicles, motor homes, caravans or inside ships, yachts, boats and truck cabs.
- > **Use outdoors only.**



WARNING! Explosion hazard

- > Do not modify this appliance. Use only as intended.
- > This product may only be repaired by qualified personnel. Inadequate repairs may cause serious risk.



WARNING! Fire hazard

- > Do not leave this appliance unattended when hot or in use.
- > Keep a fire extinguisher or other means suitable to extinguish a flame in the event of an emergency.

Safety during use

 Fig. 1 on page 2



DANGER! Explosion hazard

- > Do not use this appliance if it is leaking, damaged or does not operate properly.
- > Do not use the appliance if it has damaged or worn gaskets.



CAUTION! Burn hazard

- > Accessible parts may be very hot. Keep young children away.
- > Use protective gloves when handling hot components.
- > Do not wear loose clothing or allow long hair to hang freely while lighting or using this product.
- > Keep hands, face and hair away from burners.
- > Carefully monitor all activity around this product to avoid burns or other injuries.
- > Always operate the appliance on a firm, level surface. Ensure that the assembled product is stable and does not rock.
- > Ensure that the pan support /cooking surfaces are correctly placed when using the appliance.
- > Do not move this appliance during use.
- > Keep children and pets safely away.
- > The use of alcohol or prescription or non-prescription drugs may impair your ability to properly assemble or safely operate this appliance.
- > Leave this product to cool down properly before you touch it with bare hands.



CAUTION! Fire hazard

- > This appliance must be kept away from flammable materials during use. Minimum safe distances are: 120 cm above the appliance, and 60 cm to the rear and sides.
- > Do not place any objects other than cooking pots and pans on or against this appliance.
- > When using a pot or pan to cook in, use only the recommended pot size of 150 mm to 300 mm in diameter only.

- > Do not place chemicals, flammable materials or spray aerosols near this appliance.
- > In case of fire, shut off the gas supply immediately.

Gas and hose safety precautions

- > Use this appliance with an approved hose and regulator only.



DANGER! Explosion hazard

- > Use this appliance with an approved hose and regulator only.
- > Do not alter or modify the regulator in any way.
- > Do not use an appliance if the hose is damaged or worn. Check the hose for damage before each use and before connecting it to the gas supply.
- > Gas is supplied to the appliance via a hose and regulator, connected to a gas cylinder not exceeding 9kg and complying with local regulation in force, or to a CADAC Dometic Power Pak, which is a unit that takes two or more gas cartridges. It could be hazardous to try a fit other types of gas cylinders or gas cartridges.
- > Only to be used with a gas cylinder not exceeding 500 mm in height (not including the regulator) and 350 mm in width.
- > Connect the gas supply in a well-ventilated area, preferably outdoors, away from ignition sources like open flames and fires, and away from other people.
- > Keep the gas supply away from heat and flame. Do not place on a stove or any other hot surface.
- > When attaching the hose to the appliance, direct the hose away from the body of the appliance. Do not twist or pinch the hose.
- > During use, keep the gas supply in an upright position to ensure proper fuel withdrawal. Failure to do so may cause liquid discharge, leading to dangerous operating conditions.
- > Do not remove the gas supply whilst this appliance is in use.
- > The gas supply must be disconnected from this appliance after use or when in storage.

4 Gas leaks

Gas leaks from damaged hoses or improper connections can create hazardous conditions and must be addressed immediately. It is vital that all gas connections have been correctly fitted to prevent gas leaks.



DANGER! Explosion hazard

- > If you smell gas, immediately turn the gas off at the gas cylinder valve as well as on the appliance by turning the control knob clockwise to "OFF" position.
- > Extinguish any naked flames
- > Move the appliance to a flame-free location and perform a gas leak test. This test should be performed outside in a well-ventilated area away from open flames or sources of ignition.
- > Never use a naked flame to check for gas leak, use soapy water.

How to carry out a gas leak test

A gas leak test must be done every time a hose and regulator is fitted to the appliance and gas supply, and every time the gas supply is changed.



DANGER! Failure to identify and control a gas leak may result in potential injury or death.

- > To carry out a gas leak test, apply soapy water to all connection points along the gas hose, i.e. to the connection between gas hose and appliance, and to the connection between the regulator and gas supply.
- > Slowly open the gas cylinder valve to allow gas flow.
- > If bubbles form on any connection point, then there is a gas leak.
- > Immediately turn the gas off and disconnect the gas supply from the appliance. Confirm that all gaskets are in place and in good condition. Replace any gaskets that show signs of damage.
- > Reconnect the gas supply to the appliance and reperform the gas leak test.
- > Should the gas leak persist, return the product to your authorized repair agent for assistance.

Flame stability

Ensure flame stability when using the appliance.



WARNING! Uncontrolled light-back (flame burning back inside the burner or nozzle housing) may lead to dangerous operating conditions.

- > In the event of light-back, immediately turn off the gas supply by closing the gas cylinder valve first, then turning the appliance control knob to "OFF." After the flame is extinguished, remove the regulator and check the gasket condition; replace it if necessary.
- > Reconnect the gas supply and re-light the appliance.
- > Should the flame persistently light-back, return the product to your authorized repair agent for assessment.

5 Component List

 Fig. 2 on page 3

Component	Description
①	Domed lid / Pot
②	Barbecue griddle
③	Flat griddle
④	Pan support
⑤	Drip pan
⑥	Burner
⑦	Control knob
⑧	Igniter
⑨	Quick release connection
⑩	Flat lid
⑪	BBQ 2 Plancha 30
⑫	Paella Pan 30

Model Components

Model combinations for the range are as follows:

	6545-10	6545-20	6545-25
1	X	X	X
2	X	X	X
3	X		X

	6545-10	6545-20	6545-25
4	X	X	X
5	X	X	X
6	X	X	X
7	X	X	X
8	X	X	X
9			X
10			X
11			
12			

6 Assembling the appliance

 **Fig. 3** on page 4



WARNING! General safety

The legs are spring loaded. Opening and closing of the legs must be done in a controlled manner to avoid personal injury or damage to your appliance.

To open the legs

- > Remove all loose parts from the appliance. Turn the unit upside-down and lift each leg individually. You will hear a “click” when the leg is located correctly.

To fold back the legs

- > Securely hold the leg and push the leg release clip down (M). Push the legs inwards to its closed position. This must be done sequentially to optimize packing space, starting with the front left leg (1), then followed by the front right leg (2), and then lastly the rear leg (3).

Connecting the gas supply

 **Fig. 4** on page 4

	A	B	C
EN	Regulator	Gasket	Control valve

- > Before connecting the appliance to a gas supply, ensure that the rubber gasket on the regulator is in position and in good condition.
- > Before connecting an approved hose and regulator to the appliance, check that the appliance control knob is in the OFF “•” position.
- > Blow out any dust from the gas supply opening to prevent possible blockage of the injector.

- > Ensure that the gas supply is fitted in a well-ventilated location away from any source of ignition, such as naked flames and away from other people.
- > Do not smoke while connecting or changing the gas supply.
- > Make sure that the gas cylinder is kept upright at all times. Connect the regulator to the gas cylinder and hand tighten to secure the connection.

Connecting the hose to the appliance

 **Fig. 5** on page 5

- > Connect the hose to the appliance. Tighten to secure connection. Do not twist or pinch the hose. Ensure that it is routed away from the gas appliance body so as to prevent deterioration / damage to the hose caused by heat.
- > Ensure that a complete gas seal has been made by performing a gas leak test as described in the Gas leaks chapter. If you cannot rectify a gas leak, do not use the appliance. If you are in doubt, contact your nearest stockist.
- > Carry out all these safety checks each time you connect the appliance to a gas supply.

Disconnecting and changing the gas supply

- > After use, turn the appliance control knob to the OFF “•” position and close the gas supply.
- > When you need to replace your empty cylinder, make sure that the gas valve is closed on the gas cylinder.
- > Remove the regulator from the empty cylinder and attach it to a full cylinder. Refer to the instructions above on how to connect the gas supply.
- > Apply the same care and checking procedures as if fitting a new gas cylinder.

How to check if your gas cylinder is empty

- > A gas cylinder’s empty weight is usually stamped on its neck or foot ring. Weighing the cylinder shows its current gas level. If the weight matches the stamped weight, the cylinder is empty. The difference between the current weight and the stamped weight indicates the remaining gas.

7 Operating the appliance

- > Before first use, ensure that any protective packaging and plastic are removed from the appliance.
- > With every use, ensure that all parts are in good working order. Perform a gas leak test as described in the Gas leaks chapter each time the gas supply is connected or exchanged.

- > After prolonged storage, inspect the appliance for any insects, debris and spiderwebs which may affect gas flow.
- > Use this appliance only on a firm level surface.
- > Do not move the appliance when in use. This is unsafe practice and may cause flaring.
- > Remove any cooking surfaces when lighting the appliance.
- > Use cooking vessels with a diameter of 150 mm to 300 mm only.

Lighting the appliance using the igniter

Fig. 6 on page 5

- > To ignite the gas burner, push in and turn the control knob anti-clockwise to its highest setting while pressing in the igniter button.
- > If the gas does not ignite on the first spark, turn the control knob back to its OFF “•” position before re-attempting ignition.
- > If the gas has not ignited in the first two to three seconds you should close the control valve by turning the control knob back to its OFF “•” position.
- > Wait approximately 30 s to let any accumulated gas within the burner escape. Repeat the above process if necessary until the flame ignites. The flame should normally light up within the first one to two seconds.

Lighting the appliance using a Barbecue lighter

- > When lighting a cold appliance, the appliance may be lit from the top of the burner prior to fitting the desired cooking surface.
- > When lighting up a hot appliance, the appliance may be lit by sticking a barbecue lighter through one of the vent holes underneath the burner until it is in line with the burner. DO NOT place the Barbecue lighter through the large hole directly underneath the burner.
- > With the barbecue lighter in place, ignite the lighter first before pushing in and turning the control knob anti-clockwise to ignite the gas burner.



NOTE

- Once the appliance is lit, adjust the flame intensity by turning the control knob clockwise to decrease the flame and anti-clockwise to increase the flame.
- When cooking food with a high fat content, flaring may occur if the selected heat setting is too high. Should this happen, turn the heat down until the flaring ceases.
- After use, ensure the control knob on your appliance is in the OFF “•” position, and that the flame is extinguished before removing the gas supply.

8 GreenGrill cooking surfaces

Most CADAC | Dometic cooking surfaces feature GreenGrill non-stick ceramic coating which is PFOA-free and non-toxic, allowing for healthier cooking.

To prepare the cooking surface

Before first use, it is recommended that you prepare the cooking surface to prevent food from sticking.

- > Apply a thin layer of cooking oil over the entire cooking surface and heat it over medium heat for 2-3 minutes.
- > Allow the cooking surface to cool before washing it in warm soapy water.
- > Re-apply a thin layer of oil to the cooking surface. It is now ready for use.

Cleaning your cooking surface

- > Always allow cooking surfaces to cool completely before immersing in water.
- > Clean your cooking surface with warm, soapy water and a soft sponge. Avoid the use of scouring pads.
- > To loosen stubborn stains or residues, soak the cooking surface for a few minutes in warm water before attempting to wash.

Maintenance

- > After cleaning, we recommend spreading a small amount of oil to the cooking surface before storing to protect the surface against air and moisture.
- > Most cooking surfaces are supplied with a convenient storage bag. Place the oiled cooking surface in a plastic bag before storing it in its bag to keep the bag clean and free of any residue.

Cooking methods

- > Grilling: The BBQ Grill is ideal for fat-free grilling of chicken, meat, fish, or vegetables.
- > Pan-frying: The Flat Grill Plate is perfect for frying stir-fries, fish, bacon, eggs and vegetables, and for making pancakes.
- > Boiling: Making sauces or cooking rice and pasta is easy with the use of a suitable pot or pan placed onto the Pan Support. Avoid using cookware with plastic handles as they can become hot during cooking and may melt.

Optional accessories

- > Pizza Stone Pro: Ideal for preparing pizzas, flat breads etc. Use of the dome is required to create an 'oven' for baking.
- > Paella Pan: Made from high quality pressed aluminium for even heat distribution, the Paella Pan is perfect for preparing paellas, risottos, pasta dishes, traditional breakfasts etc.
- > Coffee Pot Stand: Provides the perfect brewing platform for your coffee percolator or kettle.



NOTE

- GreenGrill coating conducts heat better than regular (PTFE) non-stick coatings. Therefore, we recommend using only 75% of the usual power setting.
- To avoid damage to your cooking surface, never leave it on the heat source without a coating of oil.
- We recommend frying with sunflower or rapeseed oil due to their high burning points. The use of olive oil is not recommended due to its lower burning point, which can cause ingredients to stick or burn. Tip: bring meat or fish to room temperature before frying to prevent sticking.
- The CADAC | Dometic Soft Soak and Soft Soak Brush (sold separately) are ideal cleaning products for GreenGrill cooking surfaces, aiding in soaking and removing stubborn food residue.

9 Cleaning the appliance

- > To prolong the lifespan of your appliance, clean it well after every use.
- > Allow the appliance to cool down before you clean it.
- > To clean the appliance body, simply wipe it down with a damp cloth and a little detergent as needed.

- > Do not immerse the appliance in water as this may damage the burner tube causing the appliance to malfunction.
- > Keep water away from the burners and pilot light area. Dry the appliance completely before use.
- > Do not use abrasive cleaners as they may damage the surfaces.
- > Do not use a high-pressure steamer or water jet to clean the appliance.



NOTE

For stubborn stains, CADAC oven cleaner may be used.

10 Storage

- > Allow the unit to cool down and clean well before storing.
- > Ensure that the gas supply is turned off before disconnecting it from the appliance.
- > Never store an appliance with the gas supply connected, this is an unsafe practice.
- > Store the appliance and gas supply in a well-ventilated area away from combustibles. Preferably store cylinders outdoors, never in a basement or garage.

11 Maintenance and Troubleshooting

- > Regular cleaning and maintenance will extend your appliance's life and reduce the likelihood of problems.
- > We recommend servicing your appliance every 12 months by a service agent to ensure efficient operation.
- > This appliance must only be serviced by an authorized person.
- > Regularly check all connections for leaks, and every time the gas cylinder is refilled or attached.
- > Clean your burner ports in case of an over spill.

Troubleshooting

- > We recommend cleaning or replacing the injectors every six months to maintain efficient operation.

- > If the appliance operates abnormally after storage and checks don't isolate the problem, the injector may be blocked. A blocked injector is indicated by a weaker yellowish flame or no flame at all. In such cases, remove and thoroughly clean the injector to remove any foreign matter.
- > Remove the injector using standard tools and blow out any dirt. Alternatively, purchase new injectors from your local store. Do not attempt mechanical cleaning of the injector.

Note that self-repair or non-professional repair can have safety consequences and might void the warranty.

Replacing a blocked injector

Your appliance is fitted with a specific size injector to regulate the correct amount of gas. If the injector hole is blocked, it may cause a weak flame, or no flame at all. Avoid cleaning the injector with a pin or similar device as it may damage the injector, posing a safety risk to the appliance. To replace the injector, do the following:

Fig. 7 on page 6

1. Remove the fat pan.
2. Remove the three screws on the heat shield plate and remove the heat shield.
3. Remove the two screws on the burner assembly and remove it, taking care to not damage the connected igniter wire.
4. Use a suitable spanner to remove the injector; avoid using pliers as this may damage the injector. Screw the new injector into the valve, being careful not to over-tighten to avoid damage.

12 Spares

Fig. 8 on page 7



NOTE Always use genuine spares. Contact your local supplier for help.

13 Warranty

The statutory warranty period applies. If the product is defective, please contact your retailer or the manufacturer's branch in your country. (see www.cadacinternational.com/support)

For repair and warranty processing, please include the following documents when you send in the product:

- A copy of the receipt with purchasing date
- A reason for the claim or description of the fault

14 Technical data

Table 1: Technical data

Country of use	BE, CH, CY, CZ, ES, FR, GB, GR, IE, IT, LT, LU, LV, PT, SK, SI		PL	BE, CY, DK, EE, FR, FI, HU, IT, LT, NL, NO, SE, SI, SK, RO, HR, TR, BG, IS, LU, MT, ZA	AT, CH, DE, SK
Appliance Category	I _{3+(28-30/37)}		I _{3B/P (37)}	I _{3B/P (30)}	I _{3B/P (50)}
Allowable gases	Butane	Propane	Butane, propane, or their mixture		
Gas Pressure	28-30mbar	37mbar	37mbar	28-30mbar	50mbar
Jet Number	0.68		0.65	0.68	0.61
Nominal usage	145g/hr				
Gross nominal heat input	2kW		2kW	2kW	2kW

Country Names And Abbreviations

AT = Austria	BE = Belgium	BG = Bulgaria	CH = Switzerland	CY = Cyprus
CZ = Czech Republic	DE = Germany	DK = Denmark	EE = Estonia	ES = Spain
FI = Finland	FR = France	GB = United Kingdom	GR = Greece	HR = Croatia
HU = Hungary	IE = Ireland	IS = Iceland	IT = Italy	LT = Lithuania
LU = Luxembourg	LV = Latvia	MT = Malta	NL = Netherlands	NO = Norway
PL = Poland	PT = Portugal	RO = Romania	SE = Sweden	SI = Slovenia
SK = Slovakia	TR = Turkey			

Deutsch

1	Wichtige Hinweise.....	16
2	Erklärung der Symbole.....	16
3	Sicherheitshinweise.....	16
4	Gasundichtigkeit.....	18
5	Komponentenliste.....	19
6	Gerät zusammensetzen.....	19
7	Gerät bedienen.....	20
8	GreenGrill Kochflächen.....	21
9	Gerät reinigen.....	22
10	Storage.....	22
11	Wartung und Fehlerbehebung.....	22
12	Ersatzteile.....	23
13	Garantie.....	23
14	Technische Daten.....	24

1 Wichtige Hinweise

Lesen und befolgen Sie bitte alle Anweisungen, Richtlinien und Warnhinweise in diesem Produkthandbuch sorgfältig, um sicherzustellen, dass Sie das Produkt ordnungsgemäß installieren und stets ordnungsgemäß betreiben und warten. Diese Anleitung MUSS bei dem Produkt verbleiben.

Durch die Verwendung des Produktes bestätigen Sie hiermit, dass Sie alle Anweisungen, Richtlinien und Warnhinweise sorgfältig gelesen haben und dass Sie die herein dargelegten Bestimmungen verstanden haben und ihnen zustimmen. Sie erklären sich damit einverstanden, dieses Produkt nur für den angegebenen Verwendungszweck und gemäß den Anweisungen, Richtlinien und Warnhinweisen dieses Produkthandbuchs sowie gemäß allen geltenden Gesetzen und Vorschriften zu verwenden. Eine Nichtbeachtung der herein enthaltenen Anweisungen und Warnhinweise kann zu einer Verletzung Ihrer selbst und anderer Personen, zu Schäden an Ihrem Produkt oder zu Schäden an anderem Eigentum in der Umgebung führen. Dieses Produkthandbuch, einschließlich der Anweisungen, Richtlinien und Warnhinweise, sowie die zugehörige Dokumentation können Änderungen und Aktualisierungen unterliegen. Aktuelle Produktinformationen finden Sie unter documents.domestic.com.

2 Erklärung der Symbole

Ein Signalwort kennzeichnet Sicherheits- und Sachschadensmeldungen und gibt zudem den Grad oder das Ausmaß der Gefährdung an.



GEFAHR!

Kennzeichnet eine Gefahrensituation, die zum Tod oder schwerer Verletzung führt, wenn die jeweiligen Anweisungen nicht befolgt werden.



WARNUNG!

Kennzeichnet eine Gefahrensituation, die zum Tod oder schwerer Verletzung führen könnte, wenn die jeweiligen Anweisungen nicht befolgt werden.



VORSICHT!

Kennzeichnet eine Gefahrensituation, die zu geringer oder mittelschwerer Verletzung führen könnte, wenn die jeweiligen Anweisungen nicht befolgt werden.



ACHTUNG!

Kennzeichnet eine Situation, die zu Sachschäden führen kann, wenn die jeweiligen Anweisungen nicht befolgt werden.



HINWEIS Ergänzende Informationen zur Bedienung des Produktes.

3 Sicherheitshinweise

- > Lesen Sie diese Anleitung sorgfältig durch, um sich mit dem Gerät vertraut zu machen. Alle Garantien werden ungültig, wenn Sie diese Anweisungen nicht befolgen. Bewahren Sie diese Anleitung zum späteren Nachschlagen auf.

Grundlegende Sicherheit

- > Nichtbeachtung dieser Warnungen kann zum Tod oder schwerer Verletzung führen.



WARNUNG! Gefahr durch Kohlenmonoxid

- > Verwenden Sie dieses Produkt niemals in Innenräumen. Bei der Verbrennung von Flüssiggas entsteht Kohlenmonoxid, das sich in geschlossenen Räumen ansammelt.
- > Dieses Gasgerät verbraucht Luft (Sauerstoff). Stellen Sie sicher, dass das Gerät in einem gut belüfteten Bereich verwendet wird.
- > Sorgen Sie für zusätzliche Belüftung, wenn mehr Gasgeräte in der Umgebung eingesetzt werden.
- > Verwenden Sie dieses Produkt nicht in unbelüfteten Bereichen wie geschlossenen Räumen, Zelten, Vorzelten, Kraftfahrzeugen, Wohnmobilen, Wohnwagen oder in Schiffen, Yachten, Booten und LKW-Kabinen.
- > **Nur im Freien verwenden.**



WARNUNG! Explosionsgefahr

- > Verändern Sie dieses Gerät nicht. Verwenden Sie es nur bestimmungsgemäß.

- > Reparaturen an diesem Produkt dürfen nur von Fachkräften durchgeführt werden. Durch unsachgemäße Reparaturen können erhebliche Risiken entstehen.



WARNUNG! Brandgefahr

- > Lassen Sie das Gerät nicht unbeaufsichtigt, wenn es in Betrieb oder heiß ist.
- > Halten Sie einen Feuerlöscher oder andere geeignete Mittel bereit, um eine Flamme im Notfall zu löschen.

Sicherheit während des Gebrauchs

Abb. 1 auf Seite 2



GEFAHR! Explosionsgefahr

- > Verwenden Sie das Gerät nicht, wenn es undicht oder beschädigt ist oder nicht ordnungsgemäß funktioniert.
- > Verwenden Sie das Gerät nicht, wenn es beschädigte oder verschlissene Dichtungen aufweist.



VORSICHT! Verbrennungsgefahr

- > Zugängliche Teile können sehr heiß sein. Kinder fernhalten.
- > Tragen Sie Schutzhandschuhe, wenn Sie heiße Teile berühren.
- > Tragen Sie keine weite Kleidung und binden Sie langes Haar zusammen, während Sie dieses Produkt zünden oder verwenden.
- > Halten Sie Hände, Gesicht und Haare von Brennern entfernt.
- > Achten Sie aufmerksam auf alle Aktivitäten in der Nähe dieses Produkts, um Verbrennungen und andere Verletzungen zu vermeiden.
- > Stellen Sie das Gerät immer auf eine feste, ebene Unterlage. Stellen Sie sicher, dass das montierte Produkt stabil ist und nicht wackelt.
- > Stellen Sie sicher, dass der Pfannenträger/die Kochflächen richtig positioniert sind, wenn Sie das Gerät verwenden.
- > Bewegen Sie das Gerät nicht, während es sich in Betrieb befindet.
- > Halten Sie Kinder und Haustiere in sicherer Entfernung von dem Gerät.

- > Der Konsum von Alkohol oder verschreibungspflichtigen oder nicht verschreibungspflichtigen Medikamenten kann Ihre Fähigkeit beeinträchtigen, dieses Gerät ordnungsgemäß zusammenzubauen oder sicher zu bedienen.
- > Lassen Sie dieses Produkt gut abkühlen, bevor Sie es mit bloßen Händen berühren.



VORSICHT! Brandgefahr

- > Das Gerät muss während des Betriebs von brennbaren Materialien ferngehalten werden. Die Mindestsicherheitsabstände sind: 120 cm über dem Gerät und 60 cm an der Rückseite und an den Seiten.
- > Stellen Sie keine anderen Gegenstände als Kochtöpfe und Pfannen auf dieses Gerät und lehnen Sie keine daran an.
- > Wenn Sie einen Topf oder eine Pfanne zum Kochen verwenden, verwenden Sie nur die empfohlene Topfgröße von 150 mm bis 300 mm im Durchmesser.
- > Stellen Sie keine Chemikalien, brennbare Materialien oder Sprühdosen in der Nähe des Geräts auf.
- > Schließen Sie im Falle eines Brands sofort die Gaszufuhr.

Sicherheitsmaßnahmen für Gas und Schläuche

- > Verwenden Sie dieses Gerät nur mit einem zugelassenen Schlauch und Regler.



GEFAHR! Explosionsgefahr

- > Verwenden Sie dieses Gerät nur mit einem zugelassenen Schlauch und Regler.
- > Der Regler darf in keiner Weise verändert oder modifiziert werden.
- > Verwenden Sie das Gerät nicht, wenn der Schlauch beschädigt oder verschlissen ist. Überprüfen Sie den Schlauch vor jeder Verwendung und vor dem Anschluss an die Gasversorgung auf Schäden.
- > Das Gas wird über einen Schlauch und Regler in das Gerät geleitet. Sie sind an eine Gasflasche angeschlossen, die 9 kg nicht überschreiten darf und den geltenden örtlichen Vorschriften entsprechen muss, oder an ein CADAC Dometic Power Pak, eine Einheit, die zwei oder mehr Gaskartuschen enthält. Es kann gefährlich sein, andere Arten

von Gasflaschen oder Gaskartuschen zu testen.

- > Nur zur Verwendung mit einer Gasflasche mit einer maximalen Höhe von 500 mm (ohne Regler) und Breite von 350 mm.
- > Schließen Sie die Gasversorgung in einem gut belüfteten Bereich an, vorzugsweise im Freien, entfernt von Zündquellen wie offenen Flammen und Bränden und von anderen Personen.
- > Halten Sie die Gasversorgung von Hitze und Flammen fern. Stellen Sie das Gerät nicht auf einen Herd oder eine andere heiße Oberfläche.
- > Wenn Sie den Schlauch am Gerät befestigen, richten Sie ihn vom Gehäuse des Geräts weg. Verdrehen oder quetschen Sie den Schlauch nicht.
- > Halten Sie die Gasversorgung während der Verwendung aufrecht, um eine ordnungsgemäße Gasentnahme zu gewährleisten. Andernfalls kann Flüssigkeit entweichen, was zu gefährlichen Betriebsbedingungen führen kann.
- > Entfernen Sie nicht die Gasversorgung, während dieses Gerät in Betrieb ist.
- > Die Gasversorgung muss nach Gebrauch oder während der Lagerung von diesem Gerät getrennt werden.

4 Gasundichtigkeit

Gasundichtigkeit an beschädigten Schläuchen oder nicht ordnungsgemäßen Anschlüssen können gefährliche Bedingungen verursachen und müssen umgehend behoben werden. Es ist wichtig, dass alle Gasanschlüsse korrekt angebracht sind, um Gasundichtigkeiten zu vermeiden.



GEFAHR! Explosionsgefahr

- > Wenn Sie Gas riechen, schalten Sie das Gas sofort am Gasflaschenventil sowie am Gerät aus, indem Sie den Drehschalter im Uhrzeigersinn in die Position „OFF“ drehen.
- > Löschen Sie alle offenen Flammen
- > Stellen Sie das Gerät an einen Ort ohne Flammen auf, und führen Sie eine Gasundichtigkeitsprüfung durch. Diese Prüfung sollte im Freien in einem gut belüfteten Bereich durchgeführt

werden, der von offenen Flammen oder Zündquellen entfernt liegt.

- > Verwenden Sie niemals eine offene Flamme, um nach Gaslecks zu suchen. Verwenden Sie Seifenwasser.

Anleitung zum Durchführen einer Gasundichtigkeitsprüfung

Eine Gasundichtigkeitsprüfung muss jedes Mal durchgeführt werden, wenn ein Schlauch und ein Regler am Gerät und an der Gasversorgung angebracht werden, sowie bei jedem Wechsel der Gasversorgung.



GEFAHR! Wird eine Gasundichtigkeit nicht erkannt und kontrolliert, kann dies zu Verletzungen oder zum Tod führen.

- > Tragen Sie zur Durchführung einer Gasundichtigkeitsprüfung Seifenwasser auf alle Anschlüsse entlang des Gasschlauchs auf, d. h. auf die Verbindung zwischen Gasschlauch und Gerät und auf die Verbindung zwischen Regler und Gasversorgung.
- > Öffnen Sie langsam das Gasflaschenventil, um den Gasfluss zu ermöglichen.
- > Wenn sich an einer der Verbindungsstellen Blasen bilden, liegt eine Gasundichtigkeit vor.
- > Schalten Sie das Gas sofort aus und trennen Sie die Gasversorgung vom Gerät. Stellen Sie sicher, dass alle Dichtungen korrekt angebracht und in gutem Zustand sind. Ersetzen Sie alle Dichtungen, die Anzeichen von Beschädigungen aufweisen.
- > Schließen Sie die Gasversorgung wieder an das Gerät an und führen Sie die Gasundichtigkeitsprüfung erneut durch.
- > Sollte die Gasundichtigkeit bestehen bleiben, schicken Sie das Produkt zur Behebung an Ihren autorisierten Reparaturbeauftragten zurück.

Flammstabilität

Stellen Sie Flammstabilität sicher, wenn Sie das Gerät verwenden.



WARNUNG! Unkontrolliertes Rückschlagen der Flamme (Rückschlagen von Flammen)

im Inneren des Brenners oder Düsengehäuses) kann zu gefährlichen Betriebsbedingungen führen.

- > Bei Rückschlagen von Flammen drehen Sie sofort die Gaszufuhr ab, indem Sie zuerst das Gasflaschenventil schließen und dann den Bedienknopf des Geräts auf „OFF“ stellen. Nachdem die Flamme gelöscht ist, entfernen Sie den Regler und überprüfen Sie den Zustand der Dichtung. Ersetzen Sie sie bei Bedarf.
- > Schließen Sie die Gaszufuhr wieder an, und zünden Sie das Gerät erneut an.
- > Sollte die Flamme dauerhaft zurückschlagen, senden Sie das Produkt zur Überprüfung an Ihren autorisierten Reparaturbeauftragten zurück.

5 Komponententliste

 **Abb. 2** auf Seite 3

Komponente	Beschreibung
①	Domed lid / Pot
②	Barbecue griddle
③	Flat griddle
④	Pan support
⑤	Drip pan
⑥	Burner
⑦	Control knob
⑧	Igniter
⑨	Quick release connection
⑩	Flat lid
⑪	BBQ 2 Plancha 30
⑫	Paella Pan 30

Modellkomponenten

Die Modellkombinationen für die Produktreihe sind wie folgt:

	6545-10	6545-20	6545-25
1	X	X	X
2	X	X	X
3	X		X
4	X	X	X

	6545-10	6545-20	6545-25
5	X	X	X
6	X	X	X
7	X	X	X
8	X	X	X
9			X
10			X
11			
12			

6 Gerät zusammensetzen

 **Abb. 3** auf Seite 4



WARNUNG! Grundlegende Sicherheit

Die Beine sind gefedert. Das Öffnen und Schließen der Beine muss kontrolliert erfolgen, um Verletzungen oder Schäden am Gerät zu vermeiden.

Anleitung zum Öffnen der Beine

- > Entfernen Sie alle losen Teile vom Gerät. Drehen Sie das Gerät um und heben Sie jedes Bein einzeln an. Wenn das Bein korrekt positioniert ist, ist ein Klicken zu hören.

Anleitung zum Zurückklappen der Beine

- > Halten Sie das Bein fest und drücken Sie die Beinriegelungsklammer nach unten (M). Schieben Sie die Beine nach innen in die geschlossene Position. Dies muss nacheinander durchgeführt werden, um den Nutzraum zu optimieren, beginnend mit dem linken vorderen Bein (1), gefolgt vom rechten vorderen Bein (2) und schließlich dem hinteren Bein (3).

Gasversorgung anschließen

 **Abb. 4** auf Seite 4

	A	B	C
DE	Regler	Dichtung	Stellventil

- > Bevor Sie das Gerät an eine Gasversorgung anschließen, stellen Sie sicher, dass sich die Gummidichtung am Regler in Position und in gutem Zustand befindet.
- > Bevor Sie einen zugelassenen Schlauch und Regler an das Gerät anschließen, vergewissern Sie sich, dass sich der Regler in der Position „AUS“ (•) befindet.

- > Blasen Sie Staub aus der Gasversorgungsöffnung hinaus, um eine mögliche Verstopfung des Injektors zu verhindern.
- > Stellen Sie sicher, dass die Gasversorgung an einem gut belüfteten Ort angebracht wird, der von Zündquellen, wie z. B. offenen Flammen, und von anderen Personen entfernt ist.
- > Rauchen Sie nicht beim Anschließen oder Wechseln der Gasversorgung.
- > Stellen Sie sicher, dass die Gasflasche immer aufrecht steht. Schließen Sie den Regler an die Gasflasche an und ziehen Sie ihn von Hand fest, um die Verbindung zu sichern.

Schlauch an das Gerät anschließen

Abb. 5 auf Seite 5

- > Schließen Sie den Schlauch an das Gerät an. Ziehen Sie ihn fest, um die Verbindung zu sichern. Verdrehen oder quetschen Sie den Schlauch nicht. Stellen Sie sicher, dass er vom Gasgerätgehäuse weggeführt wird, um eine Abnutzung/Beschädigung des Schlauchs durch Hitze zu vermeiden.
- > Stellen Sie sicher, dass eine vollständige Gasdichtung hergestellt wurde, indem Sie eine Gasundichtigkeitsprüfung durchführen, wie im Kapitel *Gasundichtigkeit* beschrieben. Wenn Sie eine Gasundichtigkeit nicht beheben können, verwenden Sie das Gerät nicht. Im Zweifelsfall wenden Sie sich bitte an Ihren nächstgelegenen Händler.
- > Führen Sie alle diese Sicherheitsprüfungen jedes Mal durch, wenn Sie das Gerät an eine Gasversorgung anschließen.

Gasversorgung trennen und wechseln

- > Drehen Sie den Regler des Geräts nach der Verwendung in die Position „AUS“ (•), und schließen Sie die Gaszufuhr.
- > Wenn Sie die leere Flasche austauschen müssen, stellen Sie sicher, dass das Gasventil der Gasflasche geschlossen ist.
- > Entfernen Sie den Regler von der leeren Flasche und befestigen Sie ihn an einer vollen Flasche. Beachten Sie die obigen Anweisungen zum Anschluss der Gasversorgung.
- > Gehen Sie genauso sorgfältig vor wie beim Einbau einer neuen Gasflasche.

Anleitung zum Überprüfen, ob Ihre Gasflasche leer ist

- > Das Leergewicht einer Gasflasche ist in der Regel auf ihren Hals- oder Fußring aufgeprägt. Beim Wiegen der Flasche wird der aktuelle Gasfüllstand angezeigt. Wenn das Gewicht mit dem eingestanzten Gewicht übereinstimmt, ist die Flasche leer. Die Differenz zwischen dem aktuellen Gewicht und dem gestempelten Gewicht gibt das verbleibende Gas an.

7 Gerät bedienen

- > Stellen Sie vor dem ersten Gebrauch sicher, dass alle Schutzverpackungen und Kunststoffteile vom Gerät entfernt wurden.
- > Stellen Sie bei jeder Verwendung sicher, dass alle Teile in einwandfreiem Zustand sind. Führen Sie bei jedem Anschluss oder Austausch der Gasversorgung eine Gasundichtigkeitsprüfung wie in Kapitel *Gasundichtigkeit* beschrieben durch.
- > Überprüfen Sie das Gerät nach längerer Lagerung auf Insekten, Schmutz und Spinnen, die den Gasfluss beeinträchtigen könnten.
- > Verwenden Sie dieses Gerät nur auf festem, ebenem Untergrund.
- > Bewegen Sie das Gerät nicht, wenn es in Betrieb ist. Dies ist eine unsichere Vorgehensweise und kann zu Flammen führen.
- > Entfernen Sie alle Kochflächen, wenn Sie das Gerät anzünden.
- > Verwenden Sie ausschließlich Kochgefäße mit einem Durchmesser von 150 mm bis 300 mm.

Gerät mit dem Zünder anzünden

Abb. 6 auf Seite 5

- > Um den Gasbrenner anzuzünden, drücken Sie den Bedientknopf ein und drehen ihn gegen den Uhrzeigersinn auf die höchste Stufe, während Sie den Zünderknopf drücken.
- > Wenn das Gas beim ersten Funken nicht zündet, drehen Sie den Regler wieder in die Position „AUS“ (•), bevor Sie die Zündung erneut versuchen.
- > Wenn sich das Gas in den ersten zwei bis drei Sekunden nicht entzündet hat, sollten Sie das Regelventil schließen, indem Sie den Regler wieder in die Position „AUS“ (•) drehen.

- > Warten Sie etwa 30 s, bis angesammeltes Gas aus dem Brenner ausgetreten ist. Wiederholen Sie ggf. den oben beschriebenen Vorgang, bis die Flamme entzündet ist. Die Flamme sollte normalerweise innerhalb der ersten ein bis zwei Sekunden aufleuchten.

Gerät mit einem Grillanzünder anzünden

- > Wenn Sie ein kaltes Gerät anzünden, kann es von oben auf dem Brenner gezündet werden, bevor Sie die gewünschte Kochfläche anbringen.
- > Wenn Sie ein heißes Gerät anzünden, kann es angezündet werden, indem Sie einen Grillzünder durch eine der Lüftungsöffnungen unter dem Brenner stecken, bis er sich in einer Linie mit dem Brenner befindet. Stecken Sie den Grillanzünder NICHT durch die große Öffnung direkt unter den Brenner.
- > Zünden Sie in Position gebrachten Grillzünder zuerst, bevor Sie ihn hineindrücken und den Drehschalter gegen den Uhrzeigersinn drehen, um den Gasbrenner zu zünden.



HINWEIS

- Wenn das Gerät eingeschaltet ist, stellen Sie die Flammenintensität ein, indem Sie den Drehschalter im Uhrzeigersinn drehen, um die Flamme zu verringern, und gegen den Uhrzeigersinn, um die Flamme zu erhöhen.
- Beim Kochen von Speisen mit hohem Fettgehalt kann es zu großen Flammen kommen, wenn die gewählte Temperatureinstellung zu hoch ist. Sollte dies der Fall sein, schalten Sie die Hitze herunter, bis die Flammen verschwinden.
- Stellen Sie nach dem Gebrauch sicher, dass sich der Drehschalter an Ihrem Gerät in der Position „AUS“ (•) befindet und dass die Flamme gelöscht ist, bevor Sie die Gasversorgung entfernen.

8 GreenGrill Kochflächen

Die meisten CADAC | Dometic Kochflächen verfügen über eine nicht haftende GreenGrill-

Keramikbeschichtung, die PFOA-frei und ungiftig ist und so ein gesünderes Kochen ermöglicht.

Kochfläche vorbereiten

Es wird empfohlen, die Kochfläche vor dem ersten Gebrauch vorzubereiten, um zu verhindern, dass Lebensmittel haften bleiben.

- > Tragen Sie eine dünne Schicht Kochöl auf die gesamte Kochfläche auf, und erwärmen Sie sie bei mittlerer Hitze 2–3 Minuten lang.
- > Lassen Sie die Kochfläche abkühlen, bevor Sie sie in warmem Seifenwasser waschen.
- > Tragen Sie erneut eine dünne Schicht Öl auf die Kochfläche auf. Sie ist nun einsatzbereit.

Kochfläche reinigen

- > Lassen Sie die Kochflächen vor dem Eintauchen in Wasser immer vollständig abkühlen.
- > Reinigen Sie die Kochfläche mit warmem Seifenwasser und einem weichen Schwamm. Verwenden Sie keine Scheuerschwämme.
- > Um hartnäckige Flecken oder Rückstände zu entfernen, weichen Sie die Kochfläche einige Minuten in warmem Wasser ein, bevor Sie versuchen, sie zu waschen.

Wartung

- > Nach der Reinigung empfehlen wir, vor der Lagerung eine kleine Menge Öl auf die Kochfläche zu verteilen, um die Fläche vor Luft und Feuchtigkeit zu schützen.
- > Die meisten Kochflächen werden mit einer praktischen Aufbewahrungstasche geliefert. Legen Sie die geölte Kochfläche in einen Plastikbeutel, bevor Sie sie in der Tasche verstauen, damit sie sauber und frei von Rückständen bleibt.

Garmethoden

- > Grillen: Der Grill ist ideal zum fettfreien Grillen von Huhn, Fleisch, Fisch oder Gemüse.
- > In der Pfanne braten: Der flache Grillteller eignet sich perfekt zum Pfannenrühren von Fisch, Speck, Eiern und Gemüse sowie zum Zubereiten von Pfannkuchen.
- > Kochen: Die Zubereitung von Saucen oder Reis und Nudeln ist mit einem geeigneten Topf oder einer Pfanne, der/die auf den Pfannenträger gestellt wird, ganz einfach. Vermeiden Sie die Verwendung von Kochgeschirr mit Kunststoffgriffen, da diese beim Kochen heiß werden und schmelzen können.

Optionales Zubehör

- > Pizzastein Pro: Ideal für die Zubereitung von Pizzen, Fladenbrot usw. Die Kuppel ist erforderlich, um einen „Backofen“ herzustellen.
- > Paella-Pfanne: Die Paella-Pfanne besteht aus hochwertigem gepresstem Aluminium für eine gleichmäßige Wärmeverteilung und ist perfekt für die Zubereitung von Paella, Risotto, Pastagerichten, traditionellem Frühstück usw. geeignet.
- > Kaffeekannenständer: Bietet die perfekte Brühplattform für Ihren Kaffee-/Wasserkocher.



HINWEIS

- Die GreenGrill-Beschichtung leitet Wärme besser als herkömmliche (PTFE-) Antihafbeschichtungen. Daher empfehlen wir, nur 75 % der üblichen Leistungseinstellung zu verwenden.
- Um Schäden an der Kochfläche zu vermeiden, lassen Sie sie niemals ohne Ölbeschichtung auf der Wärmequelle stehen.
- Wir empfehlen, mit Sonnenblumen- oder Rapsöl zu braten, da diese sehr hohe Flammpunkte haben. Die Verwendung von Olivenöl wird aufgrund seines niedrigeren Flammpunktes nicht empfohlen, da dies dazu führen kann, dass die Zutaten anhaften bleiben oder verbrennen. Tipp: Bringen Sie Fleisch oder Fisch vor dem Braten auf Raumtemperatur, um ein Anhaften zu verhindern.
- Der CADAC | Dometic Softschwamm und die Softbürste (separat erhältlich) sind ideale Reinigungsprodukte für GreenGrill Kochflächen, da sie zum Einweichen und Entfernen hartnäckiger Lebensmittelreste beitragen.

9 Gerät reinigen

- > Um die Lebensdauer Ihres Geräts zu verlängern, reinigen Sie es nach jeder Verwendung.
- > Lassen Sie das Gerät abkühlen, bevor Sie es reinigen.
- > Um das Gerät zu reinigen, wischen Sie es einfach mit einem feuchten Tuch und etwas Reinigungsmittel nach Bedarf ab.
- > Tauchen Sie das Gerät nicht in Wasser, da dies zu einer Beschädigung des Brennerrohrs und einer Fehlfunktion des Geräts führen kann.

- > Halten Sie Wasser von den Brennern und dem Flammenindikatorbereich fern. Trocknen Sie das Gerät vor dem Gebrauch vollständig ab.
- > Verwenden Sie keine Scheuermittel, da diese die Oberflächen zerkratzen können.
- > Verwenden Sie zum Reinigen des Geräts kein Hochdruck-Dampfgerät oder einen Wasserstrahl.



HINWEIS

Bei hartnäckigen Flecken kann ein Ofenreiniger von CADAC verwendet werden.

10 Storage

- > Lassen Sie das Gerät vor der Lagerung abkühlen und reinigen Sie es gut.
- > Stellen Sie sicher, dass die Gasversorgung ausgeschaltet ist, bevor Sie sie vom Gerät trennen.
- > Lagern Sie niemals ein Gerät mit angeschlossener Gasversorgung, da dies eine unsichere Vorgehensweise ist.
- > Lagern Sie das Gerät und die Gasversorgung in einem gut belüfteten Bereich, entfernt von brennbaren Materialien. Flaschen sollten vorzugsweise im Freien, niemals im Untergeschoss oder in der Garage gelagert werden.

11 Wartung und Fehlerbehebung

- > Regelmäßige Reinigung und Wartung verlängern die Lebensdauer Ihres Geräts und verringern die Wahrscheinlichkeit von Problemen.
- > Wir empfehlen, Ihr Gerät alle 12 Monate von einem Kundendienst warten zu lassen, um einen effizienten Betrieb zu gewährleisten.
- > Dieses Gerät darf nur durch eine autorisierte Fachkraft gewartet werden.
- > Überprüfen Sie regelmäßig alle Verbindungen auf Undichtigkeiten und jedes Mal, wenn die Gasflasche aufgefüllt oder angeschlossen wird.
- > Reinigen Sie die Brenneranschlüsse, falls Sie überlaufen.

Fehlersuche und Fehlerbehebung

- > Wir empfehlen, die Injektoren alle sechs Monate zu reinigen oder auszutauschen, um einen effizienten Betrieb zu gewährleisten.

- > Wenn das Gerät nach der Lagerung nicht ordnungsgemäß funktioniert und die Prüfungen das Problem nicht eingrenzen, ist der Injektor möglicherweise blockiert. Ein blockierter Injektor wird durch eine schwächere gelbliche Flamme oder gar keine Flamme angezeigt. In solchen Fällen den Injektor entfernen und gründlich reinigen, um jegliche Fremdkörper zu entfernen.
- > Entfernen Sie den Injektor mit Standardwerkzeugen, und blasen Sie Schmutz aus. Alternativ können Sie neue Injektoren in Ihrem lokalen Geschäft erwerben. Versuchen Sie nicht, den Injektor mechanisch zu reinigen.

Verstopften Injektor ersetzen

Ihr Gerät ist mit einem Injektor einer bestimmten Größe ausgestattet, um die richtige Gasmenge zu regulieren. Wenn die Injektorbohrung verstopft ist, kann dies zu einer schwachen Flamme oder gar keiner Flamme führen. Vermeiden Sie die Reinigung des Injektors mit einem Stift oder einem ähnlichen Gerät, da dies den Injektor beschädigen und ein Sicherheitsrisiko für das Gerät darstellen kann. Anleitung zum Austauschen des Injektors:

Abb. 7 auf Seite 6

1. Entfernen Sie die Fettpfanne.
2. Entfernen Sie die drei Schrauben an der Hitzeschild-Platte, und entfernen Sie den Hitzeschild.
3. Entfernen Sie die beiden Schrauben an der Brennerbaugruppe und achten Sie darauf, dass das angeschlossene Zündkabel nicht beschädigt wird.
4. Verwenden Sie einen geeigneten Schraubenschlüssel, um den Injektor zu entfernen; verwenden Sie keine Zange, da dies den Injektor beschädigen kann. Schrauben Sie den neuen Injektor in das Ventil, und achten Sie darauf, ihn nicht zu fest anzuziehen, um Schäden zu vermeiden.

12 Ersatzteile

Abb. 8 auf Seite 7



HINWEIS Verwenden Sie immer Originalersatzteile. Wenden Sie sich an Ihren Anbieter vor Ort, um Hilfe zu erhalten.

13 Garantie

Es gilt die gesetzliche Gewährleistungsfrist. Sollte das Produkt defekt sein, wenden Sie sich bitte an Ihren Fachhändler oder die Niederlassung des Herstellers

in Ihrem Land. (Siehe www.cadacinternational.com/support)

Bitte senden Sie bei einem Reparatur- bzw. Garantieantrag folgende Unterlagen mit dem Produkt ein:

- eine Kopie der Rechnung mit Kaufdatum
- einen Reklamationsgrund oder eine Fehlerbeschreibung

Bitte beachten Sie, dass eigenständig oder nicht fachgerecht durchgeführte Reparaturen die Sicherheit gefährden und zum Erlöschen der Garantie führen können.

14 Technische Daten

Tabelle 2: Technische Daten

Land der Verwendung	BE, CH, CY, CZ, ES, FR, GB, GR, IE, IT, LT, LU, LV, PT, SK, SI		PL	BE, CY, DK, EE, FR, FI, HU, IT, LT, NL, NO, SE, SI, SK, RO, HR, TR, BG, IS, LU, MT, ZA	AT, CH, DE, SK
Gerätekategorie	I _{3+(28-30/37)}		I _{3B/P (37)}	I _{3B/P (30)}	I _{3B/P (50)}
Zulässige Gase	Butan	Propan	Butan, Propan oder deren Gemisch		
Gasdruck	28–30 mbar	37 mbar	37mbar	28–30 mbar	50mbar
Düsennummer	0.68		0.65	0.68	0.61
Nominale Nutzung	145 g/h				
Nennwärmebelastung brutto:	2kW		2kW	2kW	2kW

Ländernamen und Abkürzungen

AT = Österreich	BE = Belgien	BG = Bulgarien	CH = Schweiz	CY = Zypern
CZ = Tschechische Republik	DE = Deutschland	DK = Dänemark	EE = Estland	ES = Spanien
FI = Finnland	FR = Frankreich	GB = Vereinigtes Königreich	GR = Griechenland	HR = Kroatien
HU = Ungarn	IE = Irland	IS = Island	IT = Italien	LT = Litauen
LU = Luxemburg	LV = Lettland	MT = Malta	NL = Niederlande	NO = Norwegen
PL = Polen	PT = Portugal	RO = Rumänien	SE = Schweden	SI = Slowenien
SK = Slowakei	TR = Türkei			

Français

1	Remarques importantes.....	25
2	Signification des symboles.....	25
3	Consignes de sécurité.....	25
4	Fuites de gaz.....	27
5	Liste des composants.....	28
6	Montage de l'appareil.....	28
7	Utilisation de l'appareil.....	29
8	Surfaces de cuisson GreenGrill.....	30
9	Nettoyage de l'appareil.....	31
10	Stockage.....	31
11	Maintenance et dépannage.....	31
12	Pièces de rechange.....	32
13	Garantie.....	32
14	Caractéristiques techniques.....	33

1 Remarques importantes

Veuillez lire et suivre attentivement l'ensemble des instructions, directives et avertissements figurant dans ce manuel afin d'installer, d'utiliser et d'entretenir le produit correctement à tout moment. Ces instructions DOIVENT rester avec le produit.

En utilisant ce produit, vous confirmez expressément avoir lu attentivement l'ensemble des instructions, directives et avertissements et que vous comprenez et acceptez de respecter les modalités et conditions énoncées dans le présent document. Vous acceptez d'utiliser ce produit uniquement pour l'usage et l'application prévus et conformément aux instructions, directives et avertissements figurant dans le présent manuel, ainsi qu'à toutes les lois et réglementations applicables. En cas de non-respect des instructions et avertissements figurant dans ce manuel, vous risquez de vous blesser ou de blesser d'autres personnes, d'endommager votre produit ou d'endommager d'autres biens à proximité. Le présent manuel produit, y compris les instructions, directives et avertissements, ainsi que la documentation associée peuvent faire l'objet de modifications et de mises à jour. Pour obtenir des informations actualisées sur le produit, consulter le site documents.dometic.com.

2 Signification des symboles

Un mot de signalement identifie les messages relatifs à la sécurité et aux dégâts matériels en indiquant le degré ou le niveau de gravité du danger.



DANGER !

indique une situation dangereuse qui, si elle n'est pas évitée, entraînera des blessures graves, voire mortelles.



AVERTISSEMENT !

indique une situation dangereuse qui, si elle n'est pas évitée, est susceptible d'entraîner des blessures graves, voire mortelles.



ATTENTION !

indique une situation dangereuse qui, si elle n'est pas évitée, est susceptible d'entraîner des blessures légères ou de gravité modérée.



AVIS !

indique une situation dangereuse qui, si elle n'est pas évitée, peut entraîner des dommages matériels.



REMARQUE Informations complémentaires sur l'utilisation de ce produit.

3 Consignes de sécurité

- > Lisez attentivement ces instructions pour vous familiariser avec l'appareil. Toutes les garanties seront annulées si vous ne suivez pas ces instructions. Conservez ces instructions pour référence ultérieure.

Sécurité générale

- > Le non-respect de ces mises en garde peut entraîner des blessures graves, voire mortelles.



AVERTISSEMENT ! Risque d'intoxication au monoxyde de carbone

- > N'utilisez jamais ce produit à l'intérieur. Le processus de combustion du gaz liquide produit du monoxyde de carbone qui s'accumule à l'intérieur des espaces clos.
- > Cet appareil à gaz consomme de l'air (oxygène). Assurez-vous que l'appareil est utilisé dans un endroit bien aéré.
- > Assurez une ventilation supplémentaire si plus d'appareils à gaz sont ajoutés à l'environnement.
- > N'utilisez pas ce produit dans des espaces non ventilés, tels que des pièces fermées, des tentes, des tentes avec auvent, des véhicules, des camping-cars, des caravanes, des navires, bateaux et yachts ou encore des cabines de poids lourds.
- > **Utilisez uniquement l'appareil à l'extérieur.**



AVERTISSEMENT ! Risque d'explosion

- > Ne modifiez pas l'appareil. Utilisez-le uniquement conformément à son usage prévu.
- > Seul un personnel qualifié est habilité à effectuer des réparations sur le produit. Une réparation incorrecte peut entraîner des risques graves.

**AVERTISSEMENT ! Risque d'incendie**

- > Ne laissez pas l'appareil sans surveillance lorsqu'il est chaud ou en marche.
- > Conservez un extincteur ou tout autre moyen approprié pour éteindre une flamme en cas d'urgence.

Sécurité lors de l'utilisation **fig. 1 à la page 2****DANGER ! Risque d'explosion**

- > N'utilisez pas cet appareil s'il fuit, s'il est endommagé ou s'il ne fonctionne pas correctement.
- > N'utilisez pas l'appareil si les joints sont endommagés ou usés.

**ATTENTION ! Risque de brûlures**

- > Les parties exposées peuvent être très chaudes. Garder l'appareil hors de portée des jeunes enfants.
- > Lorsque vous manipulez des objets chauds, porter des gants de protection.
- > Ne portez pas de vêtements amples et ne laissez pas vos cheveux longs pendre librement lorsque vous allumez ou utilisez ce produit.
- > Garder vos mains, visage et cheveux à distance des brûleurs.
- > Surveillez attentivement toute activité à proximité de ce produit pour éviter les brûlures ou autres blessures.
- > Utilisez toujours l'appareil sur une surface plane et stable. Assurez-vous que le produit assemblé est stable et ne bascule pas.
- > Assurez-vous que le support de poêle et les surfaces de cuisson sont correctement placés lorsque vous utilisez l'appareil.
- > Ne déplacez pas l'appareil pendant son utilisation.
- > Tenez les enfants et les animaux domestiques à l'écart du produit.
- > La consommation d'alcool ou de médicaments sur ordonnance ou en vente libre peut altérer votre capacité à assembler correctement ou à utiliser l'appareil en toute sécurité.

- > Laissez l'appareil refroidir correctement avant de le toucher à mains nues.

**ATTENTION ! Risque d'incendie**

- > Cet appareil doit être éloigné des matériaux inflammables durant l'utilisation. Les distances de sécurité minimales sont les suivantes : 120 cm au-dessus de l'appareil, 60 cm à l'arrière et sur les côtés.
- > Ne placez aucun objet autre que des casseroles et des poêles sur ou contre cet appareil.
- > Lorsque vous utilisez une casserole ou une poêle pour cuire, utilisez uniquement la taille de casserole recommandée de 150 mm à 300 mm de diamètre seulement.
- > Ne placez pas de produits chimiques, de matériaux inflammables ou d'aérosols à proximité de l'appareil.
- > En cas d'incendie, coupez immédiatement l'alimentation en gaz.

Précautions de sécurité pour le gaz et les tuyaux

- > Utilisez cet appareil uniquement avec un tuyau et un détendeur approuvés.

**DANGER ! Risque d'explosion**

- > Utilisez cet appareil uniquement avec un tuyau et un détendeur approuvés.
- > Ne modifiez pas le détendeur d'une quelconque manière.
- > N'utilisez pas l'appareil si le tuyau est endommagé ou usé. Vérifiez que le tuyau n'est pas endommagé avant chaque utilisation et avant de le raccorder à l'alimentation en gaz.
- > Le gaz est fourni à l'appareil via un tuyau et un détendeur, reliés à une bouteille de gaz ne dépassant pas 9 kg et conforme à la réglementation locale en vigueur, ou à un Power Pak CADAC Dometic, une unité prenant en charge deux cartouches de gaz ou plus. Il peut être dangereux d'essayer un ajustement d'autres types de bouteilles de gaz ou de cartouches de gaz.
- > À utiliser uniquement avec une bouteille de gaz ne dépassant pas une hauteur de 500 mm (détendeur non compris) et une largeur de 350 mm.

- > Raccordez l'alimentation en gaz dans un endroit bien ventilé, de préférence à l'extérieur, à l'écart des sources d'inflammation comme les flammes nues et les incendies, ainsi que des autres personnes.
- > Gardez l'alimentation en gaz à l'écart de la chaleur et des flammes. Ne la placez pas sur une cuisinière ou toute autre surface chaude.
- > Lorsque vous fixez le tuyau à l'appareil, éloignez-le du corps de l'appareil. Ne tordez pas et ne pincez pas le tuyau.
- > Pendant l'utilisation, maintenez l'alimentation en gaz en position verticale pour assurer une consommation correcte du carburant. Le non-respect de cette consigne peut provoquer un déversement du liquide et entraîner des conditions de fonctionnement dangereuses.
- > Ne débranchez pas l'alimentation en gaz lorsque cet appareil est en cours d'utilisation.
- > L'alimentation en gaz doit être débranchée de cet appareil après utilisation ou pendant le stockage.

4 Fuites de gaz

Les fuites de gaz provenant de tuyaux endommagés ou de raccords inadaptés peuvent créer des conditions dangereuses et doivent être traitées immédiatement. Il est essentiel que tous les raccords de gaz aient été correctement installés pour éviter les fuites de gaz.



DANGER ! Risque d'explosion

- > Si vous sentez une odeur de gaz, éteignez immédiatement le gaz au niveau de la vanne de la bouteille de gaz et de l'appareil en tournant le bouton rotatif de commande dans le sens des aiguilles d'une montre sur la position « OFF ».
- > Éteignez toute flamme nue.
- > Placez l'appareil dans un endroit sans flamme et effectuez un test de fuite de gaz. Ce test doit être effectué à l'extérieur, dans un endroit bien ventilé, à l'écart des flammes nues ou des sources d'inflammation.
- > Ne contrôlez jamais l'étanchéité du produit à l'aide d'une flamme nue, mais utilisez de l'eau savonneuse.

Comment effectuer un test de fuite de gaz

Un test de fuite de gaz doit être effectué chaque fois qu'un tuyau et un détendeur sont installés sur l'appareil et l'alimentation en gaz, et chaque fois que l'alimentation en gaz est changée.



DANGER ! L'incapacité à identifier et contrôler une fuite de gaz peut entraîner des blessures ou la mort.

- > Pour effectuer un test de fuite de gaz, appliquez de l'eau savonneuse sur tous les points de raccordement le long du tuyau de gaz, c'est-à-dire sur le raccord entre le tuyau de gaz et l'appareil, et sur le raccord entre le détendeur et l'alimentation en gaz.
- > Ouvrez lentement la vanne de la bouteille de gaz pour permettre au gaz de circuler.
- > Si des bulles se forment au niveau d'un raccord, il y a une fuite de gaz.
- > Coupez immédiatement le gaz et débranchez l'alimentation en gaz de l'appareil. Vérifiez que tous les joints sont en place et en bon état. Remplacez tout joint présentant des signes de détérioration.
- > Rebranchez l'alimentation en gaz sur l'appareil et effectuez à nouveau le test de fuite de gaz.
- > Si la fuite de gaz persiste, renvoyez le produit à votre réparateur agréé pour plus d'assistance.

Stabilité de la flamme

Assurez-vous de la stabilité des flammes lors de l'utilisation de l'appareil.



AVERTISSEMENT ! Un retour de flamme incontrôlé (combustion à l'intérieur du brûleur ou de la buse) peut entraîner des conditions de fonctionnement dangereuses.

- > En cas de retour de flamme, coupez immédiatement l'alimentation en gaz en fermant d'abord la vanne de la bouteille de gaz, puis en réglant le bouton rotatif de commande de l'appareil sur « OFF ». Une fois la flamme éteinte, retirez le détendeur et vérifiez l'état du joint. Remplacez-le si nécessaire.

- > Rebranchez l'alimentation en gaz et rallumez l'appareil.
- > Si le phénomène persiste, renvoyez le produit à votre réparateur agréé pour son évaluation.

5 Liste des composants

 **fig. 2** à la page 3

Composant	Description
①	Domed lid / Pot
②	Barbecue griddle
③	Flat griddle
④	Pan support
⑤	Drip pan
⑥	Burner
⑦	Control knob
⑧	Igniter
⑨	Quick release connection
⑩	Flat lid
⑪	BBQ 2 Plancha 30
⑫	Paella Pan 30

Composants du modèle

Les combinaisons de modèles pour la gamme sont les suivantes :

	6545-10	6545-20	6545-25
1	X	X	X
2	X	X	X
3	X		X
4	X	X	X
5	X	X	X
6	X	X	X
7	X	X	X
8	X	X	X
9			X
10			X
11			
12			

6 Montage de l'appareil

 **fig. 3** à la page 4



AVERTISSEMENT ! Sécurité générale

Les pieds sont à ressort. L'installation des pieds doit être effectuée de manière contrôlée afin d'éviter toute blessure ou tout endommagement de votre appareil.

Pour déplier les pieds

- > Retirez toutes les pièces de l'appareil qui ne sont pas fixées. Retournez l'appareil et soulevez chaque pied. Vous entendrez un « clic » lorsque le pied est correctement positionné.

Pour replier les pieds

- > Tenez fermement le pied et poussez le clip de déverrouillage du pied vers le bas (M). Poussez les pieds vers l'intérieur jusqu'à leur position repliée. Cette opération doit être effectuée de manière séquentielle pour optimiser l'espace de rangement, en commençant par le pied avant gauche (1), puis par le pied avant droit (2) et enfin par le pied arrière (3).

Raccordement de l'alimentation en gaz

 **fig. 4** à la page 4

	A	B	C
FR	Détendeur	Joint	Vanne de contrôle

- > Avant de raccorder l'appareil à une alimentation en gaz, assurez-vous que le joint en caoutchouc du détendeur est en place et en bon état.
- > Avant de raccorder un tuyau et un détendeur approuvés à l'appareil, vérifiez que le bouton rotatif de commande de l'appareil est en position éteinte « • ».
- > Soufflez pour chasser toute poussière de l'orifice d'alimentation en gaz et éviter tout blocage possible de l'injecteur.
- > Assurez-vous que l'alimentation en gaz est installée dans un endroit bien aéré, à l'écart de toute source d'inflammation, telle que des flammes nues, et de toute autre personne.
- > Ne fumez pas lorsque vous raccordez ou changez l'alimentation en gaz.
- > Assurez-vous que la bouteille de gaz est maintenue en position verticale en permanence. Raccordez le détendeur à la bouteille de gaz et serrez-le à la main pour sécuriser le raccord.

Raccordement du tuyau à l'appareil

fig. 5 à la page 5

- > Raccordez le tuyau à l'appareil. Serrez pour sécuriser le raccord. Ne tordez pas et ne pincez pas le tuyau. Assurez-vous qu'il est à l'écart du corps de l'appareil à gaz afin d'éviter toute détérioration ou tout endommagement du tuyau en raison de la chaleur.
- > Assurez-vous qu'une étanchéité complète aux gaz a été réalisée en effectuant un test de fuite de gaz comme décrit dans le chapitre Fuites de gaz. Si vous ne parvenez pas à corriger une fuite de gaz, n'utilisez pas l'appareil. En cas de doute, contactez votre revendeur le plus proche.
- > Effectuez tous ces contrôles de sécurité chaque fois que vous raccordez l'appareil à une alimentation en gaz.

Débranchement et remplacement de l'alimentation en gaz

- > Après utilisation, tournez le bouton rotatif de commande de l'appareil sur la position éteinte « • » et coupez l'arrivée de gaz.
- > Lorsque vous devez remplacer votre bouteille vide, assurez-vous que la vanne de gaz est fermée sur la bouteille de gaz.
- > Retirez le détendeur de la bouteille vide et fixez-le à une bouteille pleine. Reportez-vous aux instructions ci-dessus pour savoir comment raccorder l'alimentation en gaz.
- > Appliquez les mêmes précautions et procédures de contrôle que lors de la pose d'une bouteille de gaz neuve.

Comment vérifier si votre bouteille de gaz est vide

- > Le poids vide d'une bouteille de gaz est généralement estampillé sur son col ou sa base circulaire. Le poids de la bouteille indique son niveau de gaz actuel. Si le poids correspond au poids estampillé, la bouteille est vide. La différence entre le poids actuel et le poids estampillé indique le gaz restant.

7 Utilisation de l'appareil

- > Avant la première utilisation, veillez à retirer tout emballage de protection et tout plastique de l'appareil.

- > À chaque utilisation, assurez-vous que toutes les pièces sont en bon état de fonctionnement. Effectuez un test de fuite de gaz comme décrit dans le chapitre Fuites de gaz chaque fois que l'alimentation en gaz est raccordée ou échangée.
- > Après une longue période d'inutilisation, inspectez l'appareil à la recherche d'insectes, de débris et de toiles d'araignée susceptibles d'affecter le débit de gaz.
- > Utilisez cet appareil uniquement sur une surface plane et ferme.
- > Ne déplacez pas l'appareil lors de son utilisation. Cette manœuvre dangereuse peut provoquer une flamme vive.
- > Retirez les surfaces de cuisson lorsque vous allumez l'appareil.
- > Utilisez uniquement des récipients de cuisson d'un diamètre de 150 mm à 300 mm.

Allumage de l'appareil à l'aide de l'allumeur

fig. 6 à la page 5

- > Pour allumer le brûleur à gaz, enfoncez et tournez le bouton rotatif de commande dans le sens inverse des aiguilles d'une montre jusqu'à sa position la plus forte tout en appuyant sur le bouton d'allumage.
- > Si le gaz ne s'enflamme pas à la première étincelle, remettez le bouton rotatif de commande en position OFF « • » avant de tenter à nouveau l'allumage.
- > Si le gaz ne s'est pas enflammé dans les deux à trois premières secondes, fermez la vanne de contrôle en tournant le bouton rotatif de commande à nouveau sur sa position éteinte « • ».
- > Attendez environ 30 s pour laisser s'échapper tout gaz accumulé dans le brûleur. Répétez la procédure ci-dessus si nécessaire jusqu'à ce que la flamme s'enflamme. La flamme devrait normalement s'allumer dans les deux premières secondes.

Allumage de l'appareil à l'aide d'un briquet barbecue

- > Lors de l'allumage d'un appareil froid, l'appareil peut être allumé par le haut du brûleur avant d'installer la surface de cuisson souhaitée.
- > Lors de l'allumage d'un appareil chaud, l'appareil peut être allumé en insérant un briquet de barbecue dans l'un des orifices d'aération sous le brûleur jusqu'à ce qu'il soit aligné avec ce dernier. NE placez PAS le briquet barbecue dans le grand orifice situé directement sous le brûleur.

- > Une fois le briquet barbecue en place, allumez-le d'abord avant d'enfoncer et de tourner le bouton rotatif de commande dans le sens inverse des aiguilles d'une montre pour allumer le brûleur à gaz.
- > Pour enlever les taches tenaces ou les résidus, trempez la surface de cuisson pendant quelques minutes dans de l'eau chaude avant de tenter de la laver.



REMARQUE

- Une fois l'appareil allumé, réglez l'intensité de la flamme en tournant le bouton rotatif de commande dans le sens des aiguilles d'une montre pour diminuer la flamme et dans le sens inverse pour l'augmenter.
- Lors de la cuisson d'aliments à haute teneur en matières grasses, un embrasement peut se produire si le niveau de cuisson sélectionné est trop élevé. Si cela se produit, baissez le chauffage jusqu'à ce que les flammes disparaissent.
- Après utilisation, assurez-vous que le bouton rotatif de commande de votre appareil est en position éteinte « • » et que la flamme est éteinte, avant de débrancher l'alimentation en gaz.

8 Surfaces de cuisson GreenGrill

La plupart des surfaces de cuisson CADAC | Dometic sont dotées d'un revêtement en céramique antiadhésif GreenGrill sans APFO et non toxique, pour une cuisson plus saine.

Préparation de la surface de cuisson

Avant la première utilisation, il est recommandé de préparer la surface de cuisson pour éviter que les aliments ne collent.

- > Appliquez une fine couche d'huile de cuisson sur toute la surface de cuisson et chauffez-la à feu moyen pendant deux à trois minutes.
- > Laissez refroidir la surface de cuisson avant de la laver à l'eau chaude savonneuse.
- > Appliquez de nouveau une fine couche d'huile sur la surface de cuisson. L'appareil est maintenant prêt à l'emploi.

Nettoyage de votre surface de cuisson

- > Laissez toujours refroidir complètement les surfaces de cuisson avant de les immerger dans l'eau.
- > Nettoyez votre surface de cuisson avec de l'eau chaude savonneuse et une éponge douce. Évitez d'utiliser des tampons à récurer.

Maintenance

- > Après le nettoyage, nous vous recommandons d'étaler une petite quantité d'huile sur la surface de cuisson avant de la stocker pour la protéger de l'air et de l'humidité.
- > La plupart des surfaces de cuisson sont fournies avec un sac de rangement pratique. Placez la surface de cuisson huilée dans un sac en plastique avant de la ranger pour garder le sac propre et exempt de tout résidu.

Modes de cuisson

- > Gril : ce mode de cuisson pour le barbecue est idéal pour griller du poulet, de la viande, du poisson ou des légumes sans gras.
- > Cuisson à la poêle : la plaque de cuisson est parfaite pour frire des sautés, du poisson, du bacon, des œufs et des légumes, ainsi que pour faire des crêpes.
- > Ébullition : préparez des sauces ou cuisez du riz et des pâtes en toute simplicité avec l'utilisation d'une casserole ou poêle appropriée placée sur le support de casserole. Évitez d'utiliser des ustensiles de cuisine avec poignées en plastique car ils peuvent devenir chauds et fondre pendant la cuisson.

Accessoires en option

- > Pierre à pizza Pro : idéal pour la préparation de pizzas, pains plats, etc. L'utilisation du dôme est nécessaire pour créer un effet « four » pour la cuisson.
- > Poêle à paella : fabriquée en aluminium pressé de haute qualité pour une répartition uniforme de la chaleur, cette poêle est parfaite pour préparer des paellas, risottos, plats de pâtes, petits-déjeuners traditionnels, etc.
- > Support pour cafetière : cet accessoire fournit la plate-forme de préparation parfaite pour votre cafetière ou votre bouilloire.



REMARQUE

- Le revêtement GreenGrill conduit mieux la chaleur que les revêtements antiadhésifs ordinaires (PTFE). Par conséquent, nous vous recommandons d'utiliser seulement 75 % du réglage de puissance habituel.
- Pour éviter d'endommager votre surface de cuisson, ne la laissez jamais sur la source de chaleur sans une couche d'huile.
- Nous recommandons de frire avec de l'huile de tournesol ou de colza en raison de leurs points de fumée élevés. L'utilisation d'huile d'olive n'est pas recommandée en raison de son point de fumée plus faible, qui peut faire coller ou brûler les ingrédients. Astuce : cuisez la viande ou le poisson à température ambiante avant de frire les aliments pour éviter qu'ils ne collent.
- Le bac en silicone et la brosse CADAC | Dometic (vendus séparément) conviennent parfaitement pour le nettoyage des surfaces de cuisson GreenGrill, en vous permettant de laisser tremper et d'éliminer les résidus alimentaires tenaces.

9 Nettoyage de l'appareil

- > Pour prolonger la durée de vie de votre appareil, nettoyez-le soigneusement après chaque utilisation.
- > Laissez l'appareil refroidir avant de le nettoyer.
- > Pour nettoyer le corps de l'appareil, essuyez-le simplement avec un chiffon humide et une petite quantité de détergent si nécessaire.
- > Ne plongez pas l'appareil dans l'eau, car cela pourrait endommager le tube du brûleur et entraîner un dysfonctionnement de l'appareil.
- > Évitez le contact de l'eau avec les brûleurs et de la zone à flamme pilote. Séchez complètement l'appareil avant utilisation.
- > N'utilisez pas de nettoyant abrasif qui risquerait d'endommager la surface.
- > N'utilisez pas de nettoyeur haute pression à vapeur ou à jet d'eau pour nettoyer l'appareil.



REMARQUE

Pour les taches tenaces, il est possible d'utiliser le nettoyant pour four CADAC.

10 Stockage

- > Laissez l'appareil refroidir et nettoyez-le bien avant de le ranger.
- > Assurez-vous que l'alimentation en gaz est coupée avant de la débrancher de l'appareil.
- > Ne rangez jamais un appareil lorsque l'alimentation en gaz est raccordée, car il s'agit d'une pratique dangereuse.
- > Rangez l'appareil et l'alimentation en gaz dans un endroit bien aéré, à l'écart des combustibles. Entreposez de préférence les bouteilles à l'extérieur, jamais dans un sous-sol ou un garage.

11 Maintenance et dépannage

- > Un nettoyage et un entretien réguliers prolongeront la durée de vie de votre appareil et réduiront les risques d'incidents.
- > Nous vous recommandons de faire entretenir votre appareil tous les 12 mois par un technicien pour garantir un fonctionnement efficace.
- > Toute opération de maintenance sur cet appareil doit uniquement être effectuée par un technicien agréé.
- > Vérifiez régulièrement l'étanchéité de tous les raccords et chaque fois que la bouteille de gaz est remplie ou fixée.
- > Nettoyez les ports de vos brûleurs en cas de déversement excessif.

Dépannage

- > Nous recommandons de nettoyer ou de remplacer les injecteurs tous les six mois pour maintenir un fonctionnement efficace.
- > Si l'appareil fonctionne anormalement après le stockage et que les contrôles n'identifient pas le problème, l'injecteur est peut-être obstrué. Un injecteur obstrué est indiqué par une flamme jaunâtre plus faible ou l'absence de flamme. Dans ce cas, retirez et nettoyez soigneusement l'injecteur pour éliminer tout corps étranger.
- > Retirez l'injecteur à l'aide d'outils standard et soufflez pour retirer toute saleté. Vous pouvez également acheter des injecteurs neufs auprès de votre magasin local. Ne tentez pas de nettoyer mécaniquement l'injecteur.

Remplacement d'un injecteur obstrué

Votre appareil est équipé d'un injecteur d'une taille spécifique pour réguler la quantité correcte de gaz. Si l'orifice de l'injecteur est obstrué, cela peut provoquer

une flamme faible ou l'absence de flamme. Évitez de nettoyer l'injecteur avec une tige métallique ou un dispositif similaire car cela pourrait endommager l'injecteur et présenter un risque pour la sécurité et le fonctionnement de l'appareil. Pour remplacer l'injecteur, procédez comme suit :

 **fig. 7** à la page 6

1. Retirez la lèche-frite.
2. Retirez les trois vis de la plaque de l'écran thermique pour extraire l'écran thermique.
3. Retirez les deux vis de l'ensemble brûleur pour l'extraire en prenant soin de ne pas endommager le câblage d'allumage raccordé.
4. Utilisez une clé adaptée pour retirer l'injecteur ; évitez d'utiliser une pince car cela pourrait endommager l'injecteur. Vissez l'injecteur neuf dans la valve, en veillant à ne pas trop serrer pour éviter tout dommage.

12 Pièces de rechange

 **fig. 8** à la page 7



REMARQUE Utilisez toujours des pièces de rechange d'origine. Contactez votre fournisseur local pour plus d'assistance.

13 Garantie

La période de garantie légale s'applique. Si le produit est défectueux, veuillez contacter votre revendeur ou la filiale locale du fabricant. (voir www.cadacinternational.com/support)

Pour toutes réparations ou autres prestations de garantie, veuillez joindre au produit les documents suivants :

- une copie de la facture avec la date d'achat
- un motif de réclamation ou une description du dysfonctionnement

Notez que toute réparation effectuée par une personne non agréée peut présenter un risque de sécurité et annuler la garantie.

14 Caractéristiques techniques

Tableau 3 : Caractéristiques techniques

Pays d'utilisation	BE, CH, CY, CZ, ES, FR, GB, GR, IE, IT, LT, LU, LV, PT, SK, SI		PL	BE, CY, DK, EE, FR, FI, HU, IT, LT, NL, NO, SE, SI, SK, RO, HR, TR, BG, IS, LU, MT, ZA	AT, CH, DE, SK
Catégorie d'appareil	I _{3+(28-30/37)}		I _{3B/P (37)}	I _{3B/P (30)}	I _{3B/P (50)}
Gaz autorisés	Butane	Propane	Butane, propane ou un mélange		
Pression du gaz	28-30 mbar	37 mbar	37 mbar	28-30 mbar	50mbar
Taille de l'orifice	0.68		0.65	0.68	0.61
Utilisation nominale	145 g/h				
Charge thermique nominale brute	2kW		2kW	2kW	2kW

Noms de pays et abréviations

AT = Autriche	BE = Belgique	BG = Bulgarie	CH = Suisse	CY = Chypre
CZ = République tchèque	DE = Allemagne	DK = Danemark	EE = Estonie	ES = Espagne
FI = Finlande	FR = France	GB = Royaume-Uni	GR = Grèce	HR = Croatie
HU = Hongrie	IE = Irlande	IS = Islande	IT = Italie	LT = Lituanie
LU = Luxembourg	LV = Lettonie	MT = Malte	NL = Pays-Bas	NO = Norvège
PL = Pologne	PT = Portugal	RO = Roumanie	SE = Suède	SI = Slovénie
SK = Slovaquie	TR = Turquie			

Español

1	Notas importantes.....	34
2	Explicación de los símbolos.....	34
3	Indicaciones de seguridad.....	34
4	Fugas de gas.....	36
5	Lista de componentes.....	37
6	Montaje del aparato.....	37
7	Uso del aparato.....	38
8	Superficies de cocción GreenGrill.....	39
9	Limpieza del aparato.....	40
10	Almacenamiento.....	40
11	Mantenimiento y solución de problemas....	40
12	Repuestos.....	41
13	Garantía.....	41
14	Datos técnicos.....	42

1 Notas importantes

Lea atentamente estas instrucciones y siga las indicaciones, directrices y advertencias incluidas en este manual para asegurarse de que instala, utiliza y mantiene correctamente el producto en todo momento. Estas instrucciones DEBEN conservarse junto con este producto.

Al utilizar el producto, usted confirma que ha leído cuidadosamente todas las instrucciones, directrices y advertencias, y que entiende y acepta cumplir los términos y condiciones aquí establecidos. Usted se compromete a utilizar este producto solo para el propósito y la aplicación previstos y de acuerdo con las instrucciones, directrices y advertencias establecidas en este manual del producto, así como de acuerdo con todas las leyes y reglamentos aplicables. La no lectura y observación de las instrucciones y advertencias aquí expuestas puede causarles lesiones a usted o a terceros, daños en el producto o daños en otras propiedades cercanas. Este manual del producto, incluyendo las instrucciones, directrices y advertencias, y la documentación relacionada, pueden estar sujetos a cambios y actualizaciones. Para obtener información actualizada sobre el producto, visite documents.dometic.com.

2 Explicación de los símbolos

Una palabra de advertencia señalará los mensajes de seguridad y de daño material, y también indicará el grado o nivel de gravedad del riesgo.



¡PELIGRO!

Indica una situación peligrosa que, de no evitarse, ocasionará la muerte o lesiones graves.



¡ADVERTENCIA!

Indica una situación peligrosa que, de no evitarse, puede ocasionar la muerte o lesiones graves.



¡ATENCIÓN!

Indica una situación peligrosa que, de no evitarse, puede ocasionar lesiones moderadas o leves.



¡AVISO!

Indica una situación peligrosa que, de no evitarse, puede provocar daños materiales.



NOTA Información complementaria para el manejo del producto.

3 Indicaciones de seguridad

- > Lea atentamente estas instrucciones para familiarizarse con el aparato. Todas las garantías quedarán anuladas si no sigue estas instrucciones. Conserve estas instrucciones para consultarlas en un futuro.

Seguridad general

- > El incumplimiento de estas advertencias podría producir la muerte o lesiones graves.



¡ADVERTENCIA! Peligro derivado del monóxido de carbono

- > No utilice nunca este producto en interiores. El proceso de combustión del gas licuado produce monóxido de carbono que se acumula en los espacios cerrados.
- > Este aparato de gas consume aire (oxígeno). Asegúrese de que el aparato se utiliza en un área bien ventilada.
- > Proporcione ventilación adicional si se usan más aparatos de gas en el entorno.
- > No utilice este producto en áreas sin ventilación como habitaciones cerradas, tiendas de campaña, avancés, vehículos a motor, caravanas, autocaravanas, interiores de barcos, yates o embarcaciones y cabinas de camión.
- > **Solo para uso en exteriores.**



¡ADVERTENCIA! Peligro de explosión

- > No modifique el aparato. Utilícelo únicamente para los usos previstos.
- > Solo personal especializado está autorizado a realizar reparaciones en este producto. Las reparaciones realizadas incorrectamente pueden generar situaciones de considerable peligro.

**¡ADVERTENCIA! Peligro de incendio**

- > No deje este aparato sin vigilancia cuando esté caliente o en uso.
- > Use un extintor de o cualquier otro método adecuado para apagar el fuego en caso de emergencia.

Seguridad durante el uso

 **fig. 1** en la página 2

**¡PELIGRO! Peligro de explosión**

- > No utilice este aparato si tiene fugas, está dañado o no funciona correctamente.
- > No utilice el aparato si las juntas están dañadas o desgastadas.

**¡ATENCIÓN! Peligro de quemaduras**

- > Las piezas accesibles pueden estar muy calientes. Mantenga a los niños alejados.
- > Utilice guantes protectores cuando manipule las partes calientes.
- > No lleve ropa suelta y lleve el pelo recogido cuando encienda o utilice este producto.
- > Mantenga las manos, la cara y el pelo alejados de los quemadores.
- > Controle atentamente la actividad alrededor de este producto para evitar quemaduras u otras lesiones.
- > Utilice siempre el aparato sobre una superficie firme y nivelada. Asegúrese de que el producto ensamblado sea estable y no se mueva.
- > Asegúrese de que las superficies de soporte/cocción están colocadas correctamente cuando utilice el aparato.
- > No mueva el aparato durante su uso.
- > Mantenga alejados a los niños y animales domésticos.
- > El consumo de alcohol o fármacos con o sin prescripción médica puede alterar su capacidad para montar correctamente o manejar con seguridad el aparato.
- > Deje que el aparato se enfríe completamente antes de tocarlo con las manos desnudas.

**¡ATENCIÓN! Peligro de incendio**

- > Este aparato debe mantenerse alejado de materiales inflamables durante su uso. Las distancias de seguridad mínimas son: 120 cm por encima del aparato, 60 cm por la parte posterior y los laterales.
- > No coloque ningún objeto que no sea una olla o sartén encima de este aparato o en contacto con él.
- > Si utiliza una olla o sartén, utilice únicamente utensilios del tamaño recomendado de 150 mm a de 300 mm diámetro.
- > No coloque productos químicos, materiales inflamables ni aerosoles de espray cerca de este aparato.
- > En caso de incendio, cierre el suministro de gas inmediatamente.

Precauciones de seguridad para el uso de gas y mangueras

- > Utilice este aparato solo con una manguera y un regulador aprobados.

**¡PELIGRO! Peligro de explosión**

- > Utilice este aparato solo con una manguera y un regulador aprobados.
- > No modifique ni altere el regulador de ninguna manera.
- > No utilice el aparato si la manguera está dañada o desgastada. Compruebe que la manguera no esté dañada antes de cada uso y antes de conectarla al suministro de gas.
- > El gas se suministra al aparato a través de una manguera y un regulador, conectados a una bombona de gas que no supere los 9 kg y que cumpla con la normativa local vigente, o a través de un CADAC Dometic Power Pak, que es una unidad que admite dos o más cartuchos de gas. Puede ser peligroso intentar adaptarle otros tipos de bombonas o cartuchos de gas.
- > Solo se debe utilizar con una bombona de gas que no supere los 500 mm de altura (sin incluir el regulador) ni 350 mm de anchura.
- > Conecte el suministro de gas en una zona bien ventilada, preferiblemente al aire libre, lejos de fuentes de ignición como

llamas abiertas o fuego, y lejos de otras personas.

- > Mantenga el suministro de gas alejado del calor y las llamas. No lo coloque sobre una estufa ni cualquier otra superficie caliente.
- > Cuando conecte la manguera al aparato, aleje la manguera del cuerpo del aparato. Evite que el recorrido de la manguera presente torceduras o dobleces.
- > Durante el uso, mantenga el suministro de gas en posición vertical para garantizar una extracción adecuada. De lo contrario, se puede producir una descarga de líquido, lo que puede dar lugar a condiciones de funcionamiento peligrosas.
- > No desconecte el suministro de gas mientras el aparato esté en uso.
- > El suministro de gas debe desconectarse del aparato después de su uso o durante el almacenamiento.

4 Fugas de gas

Las fugas de gas de mangueras dañadas o conexiones incorrectas pueden suponer un peligro potencial y deben solucionarse inmediatamente. Es fundamental que todas las conexiones de gas se hayan instalado correctamente para evitar fugas.



¡PELIGRO! Peligro de explosión

- > Si huele a gas, corte inmediatamente el suministro en la válvula de la bombona de gas y en el aparato girando el mando de control hacia la derecha hasta la posición de "OFF".
- > Apague cualquier llama existente
- > Traslade el aparato a un lugar sin llamas y realice una prueba de fugas de gas. Esta prueba debe realizarse en el exterior, en un área bien ventilada y alejada de llamas abiertas o fuentes de ignición.
- > No utilice una llama para comprobar la existencia de fugas de gas; en su lugar, utilice agua jabonosa.

Cómo realizar una prueba de fugas de gas

Se debe realizar una prueba de fugas de gas cada vez que se conecte una manguera y un regulador al aparato y al suministro de gas, y cada vez que se cambie el suministro de gas.



¡PELIGRO! Si no se identifica y controla una fuga de gas, podrían producirse lesiones o incluso la muerte.

- > Para realizar una prueba de fugas de gas, aplique agua jabonosa a todos los puntos de conexión a lo largo de la manguera de gas, es decir, a la conexión entre la manguera de gas y el aparato y a la conexión entre el regulador y el suministro de gas.
- > Abra lentamente la válvula de la bombona de gas para iniciar el flujo de gas.
- > Si se forman burbujas en cualquier punto de conexión, significa que hay una fuga de gas.
- > Cierre inmediatamente el gas y desconecte el suministro de gas del aparato. Confirme que todas las juntas están en su lugar y en buen estado. Sustituya las juntas que muestren signos de daños.
- > Vuelva a conectar el suministro de gas al aparato y repita la prueba de fugas de gas.
- > Si la fuga de gas persiste, devuelva el producto a su agente de reparación autorizado para obtener asistencia.

Estabilidad de la llama

Compruebe que la llama es estable cuando utilice el aparato.



¡ADVERTENCIA! Una luz incontrolada en la parte posterior (una llama en el interior del quemador o en la carcasa de la boquilla) puede provocar condiciones potencialmente peligrosas.

- > Si aparece una luz en la parte posterior, cierre inmediatamente el suministro de gas comenzando por la válvula de la bombona de gas y, a continuación, girando el mando de control del aparato a la posición "OFF". Una vez apagada la llama, retire el regulador y compruebe el estado de la junta; sustituya el conjunto si es necesario.
- > Vuelva a conectar el suministro de gas y encienda de nuevo el aparato.
- > Si la llama persiste, devuelva el producto a su taller de reparación autorizado para su evaluación.

5 Lista de componentes

 fig. 2 en la página 3

Componente	Descripción
①	Domed lid / Pot
②	Barbecue griddle
③	Flat griddle
④	Pan support
⑤	Drip pan
⑥	Burner
⑦	Control knob
⑧	Igniter
⑨	Quick release connection
⑩	Flat lid
⑪	BBQ 2 Plancha 30
⑫	Paella Pan 30

Componentes del modelo

Las combinaciones de modelos de la gama son las siguientes:

	6545-10	6545-20	6545-25
1	X	X	X
2	X	X	X
3	X		X
4	X	X	X
5	X	X	X
6	X	X	X
7	X	X	X
8	X	X	X
9			X
10			X
11			
12			

6 Montaje del aparato

 fig. 3 en la página 4



¡ADVERTENCIA! Seguridad general

Las patas están accionadas por muelles. La apertura y el cierre de las patas deben realizarse de forma controlada para evitar lesiones personales o daños en el aparato.

Apertura de las patas

- > Retire todas las piezas sueltas del aparato. Coloque la unidad boca abajo y levante cada pata individualmente. Oirá un “clic” cuando la pata esté colocada correctamente.

Plegado de las patas hacia atrás

- > Sujete firmemente la pata y presione el clip de liberación de la pata hacia abajo (M). Empuje las patas hacia dentro hasta la posición de cierre. Realice este procedimiento de forma secuencial para optimizar el espacio de embalaje, comience por la pata delantera izquierda (1), siga por la pata delantera derecha (2) y, por último, la pata trasera (3).

Conexión del suministro de gas

 fig. 4 en la página 4

	A	B	C
ES	Regulador	Junta	Válvula de control

- > Antes de conectar el aparato a un suministro de gas, asegúrese de que la junta de goma del regulador esté en su sitio y en buen estado.
- > Antes de conectar una manguera y un regulador aprobados al aparato, compruebe que el mando de control del aparato está en la posición OFF “•”.
- > Limpie el polvo de la abertura de suministro de gas para evitar una posible obstrucción del inyector.
- > Asegúrese de que el suministro de gas esté instalado en un lugar bien ventilado, alejado de cualquier fuente de ignición, como llamas, y alejado de otras personas.
- > No fume mientras conecta o cambia la fuente de gas.
- > Asegúrese de que la bombona de gas permanece en posición vertical en todo momento. Conecte el regulador a la bombona de gas y apriete a mano para fijar la conexión.

Conexión de la manguera al aparato.

 fig. 5 en la página 5

- > Conecte la manguera al aparato. Apriete para asegurar la conexión. Evite que el recorrido de la manguera presente torceduras o dobleces. Asegúrese de que coloca la manguera lejos del cuerpo del aparato de gas para evitar que se deteriore o se dañe por efecto del calor.
- > Asegúrese de que ha cerrado completamente el gas realizando una prueba de fugas de gas como se describe en el capítulo *Fugas de gas*. Si no puede reparar una fuga de gas, no utilice el aparato. Si tiene alguna duda, póngase en contacto con su distribuidor más cercano.
- > Realice todas estas comprobaciones de seguridad cada vez que conecte el aparato a un suministro de gas.

Desconexión y cambio del suministro de gas

- > Después de usar el aparato, gire el mando de control a la posición OFF "•" y cierre el suministro de gas.
- > Si necesita sustituir la bombona vacía, asegúrese de que la válvula de gas esté cerrada.
- > Retire el regulador de la bombona vacía y fíjelo a una bombona llena. Consulte las instrucciones anteriores sobre cómo conectar el suministro de gas.
- > Proceda con el mismo cuidado y realice los mismos procedimientos de comprobación que si instalara una bombona de gas nueva.

Cómo comprobar si la bombona de gas está vacía

- > El peso vacío de una bombona de gas suele estar impreso en el cuello o en la base. Cuando se pesa la bombona se obtiene el nivel de gas actual. Si el peso coincide con el peso marcado, la bombona está vacía. La diferencia entre el peso actual y el peso que aparece impreso en la bombona es la cantidad de gas restante.

7 Uso del aparato

- > Antes de utilizar el aparato por primera vez, asegúrese de retirar el plástico y el embalaje de protección.
- > Después de cada uso, asegúrese de que todas las piezas están en buen estado de funcionamiento. Realice una prueba de fugas de gas como se describe en el capítulo *Fugas de gas* cada vez que conecte o cambie el suministro de gas.
- > Después de un almacenamiento prolongado, inspeccione el aparato en busca de insectos, residuos y telarañas que puedan afectar al flujo de gas.

- > Utilice el aparato sobre una superficie firme y nivelada únicamente.
- > No mueva el aparato mientras está en uso. Se trata de una práctica no segura y podría provocar un incendio.
- > Retire las superficies de cocción cuando encienda el aparato.
- > Utilice recipientes de cocina con un diámetro de entre 150 mm y 300 mm solamente.

Encendido del aparato con el dispositivo de encendido

fig. 6 en la página 5

- > Para encender el quemador de gas, presione y gire el mando de control hacia la izquierda hasta su ajuste máximo mientras pulsa el botón del dispositivo de encendido.
- > Si el gas no se enciende en la primera chispa, gire la perilla de control de nuevo a la posición OFF "•" antes de volver a intentar el encendido.
- > Si el gas no se ha encendido en los primeros dos o tres segundos, cierre la válvula de control girando el mando de control de nuevo a la posición OFF "•".
- > Espere aproximadamente 30 s para que escape el gas acumulado en el quemador. Repita el proceso anterior si es necesario hasta que la llama se encienda. La llama debería encenderse normalmente en los dos primeros segundos.

Encendido el aparato con un encendedor de barbacoa

- > Al encender el aparato en frío, es posible hacerlo desde la parte superior del quemador antes de colocar la superficie de cocción deseada.
- > Al encender un aparato en caliente, es posible hacerlo con un encendedor de barbacoa a través de uno de los orificios de ventilación situados debajo del quemador hasta que esté alineado con el quemador. NO coloque el encendedor de barbacoa en el orificio grande directamente debajo del quemador.
- > Encienda el encendedor de la barbacoa antes de presionar y girar el mando de control hacia la izquierda para encender el quemador de gas.



NOTA

- Una vez encendido el aparato, ajuste la intensidad de la llama girando el botón de control hacia la derecha para disminuir la llama y hacia la izquierda para aumentarla.
- Al cocinar alimentos con un alto contenido en grasa, se pueden producir llamas si el ajuste de llama seleccionado es excesivo. En este caso, reduzca la llama hasta que cese el fuego.
- Después de usar el aparato, asegúrese de que el mando de control del aparato esté en la posición OFF "•" y de que la llama esté apagada antes de retirar el suministro de gas.

8 Superficies de cocción GreenGrill

La mayoría de las superficies de cocción CADAC | Dometic cuentan con un revestimiento cerámico antiadherente GreenGrill que no contiene PFOA y no es tóxico, lo que garantiza una cocción más saludable.

Preparación de la superficie de cocción

Antes de utilizar el aparato por primera vez, es recomendable preparar la superficie de cocción para evitar que los alimentos se peguen.

- > Aplique una fina capa de aceite de cocina sobre toda la superficie de cocción y caliente a fuego medio durante 2-3 minutos.
- > Deje que la superficie de cocción se enfríe antes de lavarla con agua tibia y jabón.
- > Vuelva a aplicar una fina capa de aceite a la superficie de cocción. Ya está lista para su uso.

Limpieza de la superficie de cocción

- > Deje siempre que las superficies de cocción se enfríen completamente antes de sumergirlas en agua.
- > Limpie la superficie de cocción con agua tibia y jabón y una esponja suave. Evite usar estropajos.
- > Para eliminar manchas o residuos difíciles, sumerja la superficie de cocción en agua caliente durante unos minutos antes de lavarla.

Mantenimiento

- > Después de limpiarla, es recomendable extender una pequeña cantidad de aceite en la superficie de cocción antes de guardarla para protegerla del aire y de la humedad.

- > La mayoría de las superficies de cocción se suministran con una práctica bolsa de almacenamiento. Coloque la superficie de cocción engrasada en una bolsa de plástico antes de guardarla en su bolsa para mantenerla limpia y libre de residuos.

Métodos de cocción

- > Parrilla: La barbacoa es ideal para asar pollo, carne, pescado o verduras sin grasa.
- > Sartén: La placa de grill plana es perfecta para freír patatas fritas, pescado, tocino, huevos y verduras, y para preparar tortitas.
- > Hervidor: Preparar salsas o hervir arroz y pasta es fácil si se usa una olla o una sartén adecuada sobre el soporte para sartenes. Evite utilizar utensilios de cocina con asas de plástico, ya que pueden calentarse y fundirse.

Accesorios opcionales

- > Pizza Stone Pro: Ideal para preparar pizzas, panecillos, etc. Es necesario usar la tapa para crear una especie de horno que permita cocinar u hornear alimentos.
- > Paella: Fabricada en aluminio prensado de alta calidad para una distribución uniforme del calor, la paella es perfecta para preparar paellas, risottos, platos de pasta, desayunos tradicionales, etc.
- > Soporte para cafetera: Proporciona la plataforma de preparación perfecta para una cafetera/tetera.

**NOTA**

- El revestimiento GreenGrill conduce el calor mejor que los revestimientos antiadherentes normales (PTFE). Por lo tanto, se recomienda utilizar solo el 75 % de la potencia habitual.
- Para evitar daños en la superficie de cocción, no la deje nunca sobre la fuente de calor sin aplicar una capa de aceite.
- Recomendamos freír con aceite de girasol o colza debido a su alto punto de ignición. No se recomienda el uso de aceite de oliva debido a su punto de ignición más bajo, que puede provocar que los ingredientes se peguen o quemen. Consejo: Deje que la carne o el pescado alcancen la temperatura ambiente antes de freír para evitar que se peguen.
- El cepillo suave y el jabón CADAC | Dometic (se venden por separado) son productos de limpieza ideales para superficies de cocción GreenGrill, ya que ayudan a limpiar y eliminar los restos de alimentos difíciles.

9 Limpieza del aparato

- > Para alargar la vida útil del aparato, límpielo a fondo después de cada uso.
- > Espere a que el aparato se enfríe antes de limpiarlo.
- > Para limpiar el aparato, utilice un paño húmedo con un poco de detergente si es necesario.
- > No sumerja el aparato en agua, ya que podría dañar el tubo del quemador y provocar que el aparato no funcione correctamente.
- > Mantenga los quemadores y el indicador de llama alejados del agua. Seque el aparato completamente antes de usarlo.
- > No utilice limpiadores abrasivos, ya que pueden rayar la superficie.
- > No utilice un vaporizador ni un chorro de agua de alta presión para limpiar el aparato.

**NOTA**

Para las manchas difíciles, puede utilizar el limpiador para hornos CADAC.

10 Almacenamiento

- > Deje que la unidad se enfríe y límpiela bien antes de guardarla.

- > Asegúrese de que el suministro de gas está cerrado antes de desconectarlo del aparato.
- > No guarde nunca un aparato con el suministro de gas conectado, ya que se trata de una práctica no segura.
- > Guarde el aparato y el suministro de gas en un lugar bien ventilado y alejado de combustibles. Preferiblemente, almacene las bombonas al aire libre, nunca en un sótano o garaje.

11 Mantenimiento y solución de problemas

- > La limpieza y el mantenimiento periódicos prolongarán la vida útil del aparato y reducirán la probabilidad de que se produzcan problemas.
- > Es recomendable que un técnico de mantenimiento autorizado realice el mantenimiento del aparato cada 12 meses para garantizar un funcionamiento eficaz.
- > El mantenimiento de este aparato solo debe realizarlo una persona autorizada.
- > Compruebe regularmente todas las conexiones en busca de fugas y cada vez que se rellene o conecte la bombona de gas.
- > Limpie los puertos del quemador en caso de derrame.

Solución de problemas

- > Es recomendable limpiar o sustituir los inyectores cada seis meses para mantener un funcionamiento eficiente.
- > Si el aparato no funciona de la forma esperada después de guardarlo y las comprobaciones no solucionan el problema, es posible que el inyector esté bloqueado. Un inyector bloqueado se puede identificar si la llama es débil, de color amarillento o si no se produce ninguna llama. En tal caso, retire y limpie a fondo el inyector para eliminar cualquier sustancia extraña.
- > Retire el inyector con herramientas estándar y limpie la suciedad. También puede comprar inyectores nuevos en su tienda local. No intente limpiar mecánicamente el inyector.

Sustitución de un inyector bloqueado

El aparato está equipado con un inyector del tamaño específico para regular la cantidad correcta de gas. Si el orificio del inyector está bloqueado, puede provocar una llama débil o que no se produzca ninguna llama. Evite limpiar el inyector con un alfiler o un dispositivo similar, ya que podría dañarlo y suponer un riesgo para la seguridad del aparato. Para sustituir el inyector, realice el siguiente procedimiento:

 **fig. 7** en la página 6

1. Retire la bandeja de grasa.
2. Retire los tres tornillos de la placa de protección térmica y retire la protección térmica.
3. Retire los dos tornillos del conjunto del quemador y retírelo, teniendo cuidado de no dañar el cable del dispositivo de encendido conectado.
4. Utilice una llave adecuada para retirar el inyector; evite utilizar alicates, ya que podría dañar el inyector. Enrosque el nuevo inyector en la válvula, teniendo cuidado de no apretarlo en exceso para evitar daños.

12 Repuestos

 **fig. 8** en la página 7

NOTA Utilice siempre piezas de repuesto originales. Póngase en contacto con su proveedor local para obtener ayuda.

13 Garantía

Se aplica el período de garantía estipulado por la ley. Si el producto es defectuoso, póngase en contacto con el punto de venta o con la sucursal del fabricante de su país. (consulte www.cadacinternational.com/support)

Para tramitar la reparación y la garantía, incluya los siguientes documentos cuando envíe el producto:

- Una copia de la factura con fecha de compra
- El motivo de la reclamación o una descripción de la avería

Tenga en cuenta que una reparación por medios propios o no profesionales puede tener consecuencias de seguridad y suponer la anulación de la garantía.

14 Datos técnicos

Tabla 4: Datos técnicos

País de uso	BE, CH, CY, CZ, ES, FR, GB, GR, IE, IT, LT, LU, LV, PT, SK, SI		PL	BE, CY, DK, EE, FR, FI, HU, IT, LT, NL, NO, SE, SI, SK, RO, HR, TR, BG, IS, LU, MT, ZA	AT, CH, DE, SK
Categoría de aparato	I _{3+(28-30/37)}		I _{3B/P (37)}	I _{3B/P (30)}	I _{3B/P (50)}
Gases permitidos	Butano	Propano	Butano, propano o mezclas de ambos		
Presión de gas	28-30 mbares	37mbares	37mbar	28-30 mbares	50mbar
Dimensiones de boquilla	0.68		0.65	0.68	0.61
Uso nominal	145 g/hr				
Aporte térmico nominal bruto:	2kW		2kW	2kW	2kW

Nombres y abreviaturas de los países

AT = Austria	BE = Bélgica	BG = Bulgaria	CH = Suiza	CY = Chipre
CZ = República Checa	DE = Alemania	DK = Dinamarca	EE = Estonia	ES = España
FI = Finlandia	FR = Francia	GB = Reino Unido	GR = Grecia	HR = Croacia
HU = Hungría	IE = Irlanda	IS = Islandia	IT = Italia	LT = Lituania
LU = Luxemburgo	LV = Letonia	MT = Malta	NL = Países Bajos	NO = Noruega
PL = Polonia	PT = Portugal	RO = Rumanía	Se = Suecia	SI = Eslovenia
SK = Eslovaquia	TR = Turquía			

Português

1	Notas importantes.....	43
2	Explicação dos símbolos.....	43
3	Indicações de segurança.....	43
4	Fugas de gás.....	45
5	Lista de componentes.....	46
6	Montar o aparelho.....	46
7	Utilizar o aparelho.....	47
8	Superfícies de cozedura GreenGrill.....	48
9	Limpar o aparelho.....	49
10	Armazenamento.....	49
11	Manutenção e resolução de problemas.....	49
12	Peças sobressalentes.....	50
13	Garantia.....	50
14	Dados técnicos.....	51

1 Notas importantes

Leia atentamente as presentes instruções e siga todas as instruções, orientações e avisos incluídos neste manual, de modo a garantir a correta instalação, utilização e manutenção do produto. É OBRIGATORIO manter estas instruções junto com o produto.

Ao utilizar o produto, está a confirmar que leu atentamente todas as instruções, orientações e avisos, e que compreende e aceita cumprir os termos e condições estabelecidos no presente manual. Aceita utilizar este produto exclusivamente para o fim e a aplicação a que se destina e de acordo com as instruções, orientações e avisos estabelecidos neste manual, assim como de acordo com todas as leis e regulamentos aplicáveis. Caso não leia nem siga as instruções e os avisos aqui estabelecidos, poderá sofrer ferimentos pessoais ou causar ferimentos a terceiros e o produto ou outros materiais nas proximidades poderão ficar danificados. Este manual do produto, incluindo as instruções, orientações e avisos, bem como a documentação relacionada, podem estar sujeitos a alterações e atualizações. Para consultar as informações atualizadas do produto, visite documents.domestic.com.

2 Explicação dos símbolos

As palavras de advertência identificam mensagens de segurança e mensagens de danos à propriedade, assim como o grau ou nível de seriedade do perigo.



PERIGO!

indica uma situação perigosa que, se não for evitada, resultará em morte ou ferimentos graves.



AVISO!

Indica uma situação perigosa que, se não for evitada, pode causar a morte ou ferimentos graves.



PRECAUÇÃO!

Indica uma situação perigosa que, se não for evitada, pode causar ferimentos ligeiros ou moderados.



NOTA!

Indica uma situação que, se não for evitada, pode causar danos materiais.



OBSERVAÇÃO Informações complementares para a utilização do produto.

3 Indicações de segurança

- > Leia cuidadosamente estas instruções para se familiarizar com o aparelho. Todas as garantias serão anuladas se não seguir estas instruções. Guarde estas instruções para referência futura.

Princípios básicos de segurança

- > O incumprimento destes avisos pode resultar em morte ou ferimentos graves.



AVISO! Risco devido a monóxido de carbono

- > Nunca utilize este produto em espaços fechados. A queima de gás liquefeito produz monóxido de carbono, o qual, por sua vez, se acumula em áreas fechadas.
- > Este aparelho a gás consome ar (oxigénio). Certifique-se de que o aparelho é utilizado numa área bem ventilada.
- > Providencie ventilação adicional se forem adicionados mais aparelhos a gás ao ambiente.
- > Não opere este produto em zonas não ventiladas como espaços fechados, tendas, avançados, automóveis, caravanas, autocaravanas ou dentro de navios, iates, barcos ou cabinas de camiões.
- > **Utilize apenas no exterior.**



AVISO! Perigo de explosão

- > Não modifique este aparelho. Utilize apenas para o fim previsto.
- > O produto só pode ser reparado por técnicos especializados. Reparações inadequadas podem originar riscos graves.

**AVISO! Perigo de incêndio**

- > Não deixe este aparelho sem supervisão enquanto estiver quente ou durante a sua utilização.
- > Tenha um extintor de incêndio ou outros meios adequados prontos para apagar chamas em caso de emergência.

Segurança durante a utilização

 **fig. 1** na página 2

**PERIGO! Perigo de explosão**

- > Não utilize este aparelho, se o mesmo apresentar fugas, danos ou não funcionar corretamente.
- > Não utilize o aparelho, se as juntas estiverem danificadas ou gastas.

**PRECAUÇÃO! Risco de queimaduras**

- > Existem partes acessíveis que podem estar quentes. Mantenha crianças pequenas afastadas.
- > Use luvas de proteção ao mexer em componentes quentes.
- > Não utilize roupa larga e não deixe o cabelo solto quando acender ou utilizar este produto.
- > Mantenha as mãos, o rosto e o cabelo afastados de queimadores.
- > Monitore com atenção todas as atividades realizadas nas proximidades deste produto, de modo a evitar queimaduras ou outros ferimentos.
- > Opere sempre o aparelho sobre uma superfície estável e plana. Certifique-se de que o produto montado é estável e não balança.
- > Certifique-se de que o apoio para panelas/as superfícies de cozedura estão corretamente colocados quando utilizar o aparelho.
- > Não desloque este aparelho durante a utilização.
- > Mantenha crianças e animais domésticos afastados e em segurança.
- > O consumo de álcool ou a toma de medicamentos prescritos ou sem necessidade de receita médica podem prejudicar a sua capacidade de montar

adequadamente este aparelho ou de o utilizar com segurança.

- > Deixe este produto arrefecer devidamente antes de lhe tocar com as mãos desprotegidas.

**PRECAUÇÃO! Perigo de incêndio**

- > Este aparelho deve estar afastado de materiais inflamáveis durante a sua utilização. As distâncias de segurança mínimas são: 120 cm por cima do aparelho e 60 cm atrás e nos lados.
- > Não encoste nem coloque em cima deste aparelho outros objetos para além de frigideiras e panelas.
- > Quando utilizar uma frigideira ou panela para cozinhar, utilize apenas o tamanho de panela recomendado de 150 mm a 300 mm de diâmetro.
- > Não coloque químicos, materiais inflamáveis nem aerossóis em spray nas proximidades do aparelho.
- > Em caso de incêndio, desligue imediatamente o abastecimento de gás.

Precauções de segurança relativas ao gás e mangueiras

- > Utilize este aparelho apenas com uma mangueira e um regulador aprovados.

**PERIGO! Perigo de explosão**

- > Utilize este aparelho apenas com uma mangueira e um regulador aprovados.
- > Não altere nem modifique o regulador de forma alguma.
- > Não utilize um aparelho se a mangueira estiver danificada ou desgastada. Verifique a mangueira quanto a danos antes de cada utilização e antes de a ligar ao abastecimento de gás.
- > O gás é fornecido ao aparelho através de uma mangueira e regulador, ligado a uma botija de gás que não exceda 9 kg e que cumpra as regulamentações locais em vigor, ou a uma CADAC Dometic Power Pak, que é uma unidade que utiliza dois ou mais cartuchos de gás. Pode ser perigoso tentar instalar outros tipos de botijas de gás ou cartuchos de gás.
- > Apenas deve ser utilizado com uma botija de gás que não exceda 500 mm de altura

(não incluindo o regulador) e 350 mm de largura.

- > Ligue o abastecimento de gás numa área bem ventilada, de preferência no exterior, longe de fontes de ignição, como chamas abertas e incêndios, e longe de outras pessoas.
- > Mantenha o abastecimento de gás afastado do calor e de chamas. Não coloque sobre um fogão ou qualquer outra superfície quente.
- > Quando ligar a mangueira no aparelho, afaste a mangueira do corpo do aparelho. Não torça nem aperte a mangueira.
- > Durante a utilização, mantenha o abastecimento de gás numa posição vertical para assegurar a extração adequada do combustível. Se não o fizer, pode provocar uma descarga de líquidos, resultando em condições de funcionamento perigosas.
- > Não retire a abastecimento de gás enquanto este aparelho estiver a ser utilizado.
- > É necessário desligar o abastecimento de gás deste aparelho após a sua utilização ou durante o armazenamento.

4 Fugas de gás

As fugas de gás provocadas por mangueiras danificadas ou ligações inadequadas podem criar condições perigosas e devem ser resolvidas de imediato. É essencial que todas as ligações de gás tenham sido instaladas corretamente para evitar fugas de gás.



PERIGO! Perigo de explosão

- > Se sentir cheiro a gás, desligue imediatamente o gás na válvula da botija de gás e no aparelho rodando o botão de controlo no sentido dos ponteiros do relógio para a posição "OFF".
- > Apague todas as chamas abertas
- > Desloque o aparelho para um local sem chamas e efetue um teste de fuga de gás. Este teste deve ser realizado no exterior, numa área bem ventilada, longe de chamas abertas ou fontes de ignição.
- > Nunca utilize uma chama aberta quanto a fugas de gás, utilize água com sabão.

Como efetuar um teste de fuga de gás

Deve ser realizado um teste de fuga de gás sempre que uma mangueira e um regulador são instalados no aparelho e no abastecimento de gás, e sempre que o abastecimento de gás é alterado.



PERIGO! A não identificação e controlo de uma fuga de gás pode resultar em potenciais ferimentos ou morte.

- > Para efetuar um teste de fuga de gás, aplique água com sabão em todos os pontos de ligação ao longo do tubo de gás, ou seja, na ligação entre o tubo de gás e o aparelho e na ligação entre o regulador e o abastecimento de gás.
- > Abra lentamente a válvula da botija de gás para permitir o fluxo de gás.
- > Caso se formem bolhas em qualquer ponto de ligação, existe uma fuga de gás.
- > Desligue imediatamente o gás e o abastecimento de gás do aparelho. Confirme que todas as juntas estão no devido lugar e em bom estado. Substitua quaisquer juntas que apresentem sinais de danos.
- > Volte a ligar o abastecimento de gás ao aparelho e efetue novamente o teste de fuga de gás.
- > Se a fuga de gás persistir, devolva o produto ao agente de reparação autorizado para obter assistência.

Estabilidade da chama

Assegure a estabilidade da chama quando utilizar o aparelho.



AVISO! O retorno descontrolado da chama (chama a arder no interior do queimador ou da estrutura do bico) pode provocar condições de funcionamento perigosas.

- > Em caso de retorno da chama, desligue imediatamente o abastecimento de gás fechando primeiro a válvula da botija de gás e, em seguida, rodando o botão de controlo do aparelho para a posição "OFF". Depois de apagar a chama, retire o regulador e verifique o estado da junta; substitua-a, se necessário.
- > Volte a ligar o abastecimento de gás e acenda novamente o aparelho.

- > Caso se verifique um retorno persistente da chama, devolva o produto ao seu agente de reparação autorizado para avaliação.

5 Lista de componentes

 **fig. 2** na página 3

Componente	Descrição
①	Domed lid / Pot
②	Barbecue griddle
③	Flat griddle
④	Pan support
⑤	Drip pan
⑥	Burner
⑦	Control knob
⑧	Igniter
⑨	Quick release connection
⑩	Flat lid
⑪	BBQ 2 Plancha 30
⑫	Paella Pan 30

Componentes do modelo

As combinações de modelos para a gama são as seguintes:

	6545-10	6545-20	6545-25
1	X	X	X
2	X	X	X
3	X		X
4	X	X	X
5	X	X	X
6	X	X	X
7	X	X	X
8	X	X	X
9			X
10			X
11			
12			

6 Montar o aparelho

 **fig. 3** na página 4



AVISO! Princípios básicos de segurança

As pernas são acionadas por mola. A abertura e o fecho das pernas devem ser efetuados de forma controlada para evitar ferimentos pessoais ou danos no aparelho.

Para abrir as pernas

- > Retire todas as peças soltas do aparelho. Vire a unidade ao contrário e levante cada perna individualmente. Ouvirá um "clique" quando a perna estiver localizada corretamente.

Para dobrar as pernas

- > Segure bem a perna e empurre o clipe de desbloqueio da perna para baixo (M). Empurre as pernas para dentro, para a posição fechada. Para otimizar o espaço de arrumação, este processo deve ser efetuado sequencialmente, começando pela perna dianteira esquerda (1), seguida pela perna dianteira direita (2) e, por último, pela perna traseira (3).

Ligar o abastecimento de gás

 **fig. 4** na página 4

	A	B	C
PT	Regulador	Junta	Válvula de controlo

- > Antes de ligar o aparelho a um abastecimento de gás, certifique-se de que a junta de borracha do regulador está na devida posição e em bom estado.
- > Antes de ligar uma mangueira e um regulador aprovados ao aparelho, verifique se o botão de controlo do aparelho está na posição OFF "•".
- > Sobre o pó da abertura do abastecimento de gás para evitar possíveis bloqueios do injetor.
- > Certifique-se de que o abastecimento de gás está instalado num local bem ventilado, longe de qualquer fonte de ignição, como chamas abertas, e longe de outras pessoas.
- > Não fume durante a ligação ou substituição do abastecimento de gás.
- > Certifique-se de que a botija de gás é mantida sempre na vertical. Ligue o regulador à botija de gás e aperte manualmente para fixar a ligação.

Ligar a mangueira ao aparelho

fig. 5 na página 5

- > Ligue a mangueira ao aparelho. Aperte para fixar a ligação. Não torça nem aperte a mangueira. Certifique-se de que a mangueira está afastada do corpo do aparelho a gás, de forma a evitar a deterioração/danos na mangueira causados pelo calor.
- > Certifique-se de que a estanquidade do gás é total, efetuando um teste de fuga de gás, conforme descrito no capítulo Fugas de gás. Se não conseguir retificar uma fuga de gás, não utilize o aparelho. Em caso de dúvidas, contacte o revendedor mais próximo.
- > Efetue todas estas verificações de segurança sempre que ligar o aparelho a um abastecimento de gás.

Desligar e mudar o abastecimento de gás

- > Após a utilização, rode o botão de controlo do aparelho para a posição OFF "•" e feche o abastecimento de gás.
- > Quando precisar de substituir a botija vazia, certifique-se de que a válvula de gás está fechada na botija de gás.
- > Retire o regulador da botija vazia e ligue-o a uma botija cheia. Consulte as instruções acima sobre como ligar o abastecimento de gás.
- > Aplique os mesmos cuidados e procedimentos de verificação como se estivesse a instalar uma nova botija de gás.

Como verificar se a botija de gás está vazia

- > O peso vazio de uma botija de gás está habitualmente gravado no gargalo ou no anel do pé. A pesagem da botija indica o nível de gás efetivo. Se o peso corresponder ao peso gravado, a botija está vazia. A diferença entre o peso efetivo e o peso gravado indica o gás que resta.

7 Utilizar o aparelho

- > Antes da primeira utilização, certifique-se de que todas as embalagens e plásticos de proteção foram removidos do aparelho.
- > Em cada utilização, certifique-se de que todas as peças estão em bom estado de funcionamento. Sempre que o abastecimento de gás for ligado ou mudado, realize um teste de fuga de gás, conforme descrito no capítulo Fugas de gás.
- > Após um armazenamento prolongado, verifique se existem insetos, detritos e teias de aranha que possam afetar o fluxo de gás.

- > Utilize este aparelho apenas numa superfície estável e plana.
- > Não desloque o aparelho durante a sua utilização. Esta prática não é segura e pode provocar queima de gás.
- > Retire todas as superfícies de cozedura quando acender o aparelho.
- > Utilize apenas recipientes de cozedura com um diâmetro de 150 mm a 300 mm.

Acender o aparelho utilizando o dispositivo de ignição

fig. 6 na página 5

- > Para acender o queimador a gás, pressione e rode o botão de controlo no sentido contrário ao dos ponteiros do relógio para a definição mais alta enquanto prime o botão do dispositivo de ignição.
- > Se o gás não se acender à primeira faísca, volte a rodar o botão de controlo para a posição OFF "•" antes de tentar novamente a ignição.
- > Se o gás não se acender nos primeiros dois a três segundos, deve fechar a válvula de controlo rodando novamente o botão de controlo para a posição OFF "•".
- > Guarde cerca de 30 s para permitir a libertação de eventual gás acumulado no queimador. Repita o processo acima, se necessário, até que a chama se acenda. Normalmente, a chama deve acender-se nos primeiros um a dois segundos.

Acender o aparelho utilizando um isqueiro para grelhador

- > Quando acender um aparelho frio, pode acendê-lo a partir da parte superior do queimador antes de montar a superfície de cozedura pretendida.
- > Quando acender um aparelho quente, pode acendê-lo introduzindo um isqueiro para churrasco através de um dos orifícios de ventilação por baixo do queimador até ficar alinhado com o queimador. NÃO coloque o isqueiro para grelhador através do orifício grande diretamente por baixo do queimador.
- > Com o isqueiro para grelhador no lugar, acenda primeiro o isqueiro antes de pressionar e rodar o botão de controlo no sentido contrário ao dos ponteiros do relógio para ligar o queimador a gás.



OBSERVAÇÃO

- Quando o aparelho estiver aceso, ajuste a intensidade da chama rodando o botão de controlo no sentido dos ponteiros do relógio para diminuir a chama e no sentido contrário ao dos ponteiros do relógio para aumentar a chama.
- Quando cozinhar alimentos com um elevado teor de gordura, pode ocorrer queima se a definição de calor selecionada for demasiado alta. Neste caso, baixe o lume até a chama deixar de arder.
- Após a utilização, certifique-se de que o botão de controlo do seu aparelho está na posição OFF "••" e que a chama está apagada antes de retirar o abastecimento de gás.

8 Superfícies de cozedura GreenGrill

A maioria das superfícies de cozedura CADAC | Dometic apresentam o revestimento cerâmico antiaderente GreenGrill, isento de PFOA e não tóxico, que permite uma cozedura mais saudável.

Para preparar a superfície de cozedura

Antes da primeira utilização, recomenda-se que prepare a superfície de cozedura para evitar que os alimentos fiquem colados.

- > Aplique uma camada fina de óleo de cozinha sobre toda a superfície de cozedura e aqueça-a em lume médio durante 2 a 3 minutos.
- > Deixe a superfície de cozedura arrefecer antes de a lavar com água morna e sabão.
- > Volte a aplicar uma camada fina de óleo na superfície de cozedura. A superfície está, agora, pronta a ser utilizada.

Limpar a superfície de cozedura

- > Deixe sempre as superfícies de cozedura arrefecerem completamente antes de as mergulhar em água.
- > Limpe a superfície de cozedura com água morna com sabão e uma esponja macia. Evite a utilização de esfregões.
- > Para eliminar manchas ou resíduos persistentes, deixe a superfície de cozedura de molho durante alguns minutos em água morna antes de a tentar lavar.

Manutenção

- > Após a limpeza, recomendamos que espalhe uma pequena quantidade de óleo na superfície de cozedura antes de a guardar para proteger a superfície do ar e da humidade.
- > A maioria das superfícies de cozedura é fornecida com um prático saco de armazenamento. Coloque a superfície de cozedura com óleo num saco de plástico antes de a guardar no respetivo saco para manter este último limpo e sem resíduos.

Métodos de cozedura

- > Grelhar: o grelhador para BBQ é ideal para grelhar frango, carne, peixe ou legumes sem gordura.
- > Fritar: a grelha plana é perfeita para fritar salteados, peixe, bacon, ovos e legumes e para preparar panquecas.
- > Ferver: Preparar molhos ou cozer arroz e massa é fácil com a utilização de uma frigideira ou panela adequada colocada no apoio para painéis. Evite utilizar utensílios de cozinha com pegas de plástico, dado que podem ficar quentes durante a cozedura e derreter.

Acessórios opcionais

- > Pedra para pizza Pro: ideal para preparar pizzas, pães planos, etc. A utilização da cúpula é necessária para criar um "forno" para cozer.
- > Frigideira para paella: fabricada em alumínio prensado de alta qualidade para uma distribuição uniforme do calor, a frigideira para paella é perfeita para preparar paellas, risotos, pratos de massas, pequenos-almoços tradicionais, etc.
- > Suporte para cafeteira: fornece a plataforma de preparação perfeita para a sua cafeteira ou chaleira.



OBSERVAÇÃO

- O revestimento GreenGrill conduz melhor o calor do que os revestimentos antiaderentes normais (PTFE). Por conseguinte, recomendamos que utilize apenas 75% da definição de potência habitual.
- Para evitar danos na superfície de cozedura, nunca a deixe na fonte de calor sem uma camada de óleo.
- Recomendamos a fritura com óleo de girassol ou de colza devido aos elevados pontos de combustão. Não é aconselhável utilizar azeite devido ao ponto de combustão inferior, o qual pode provocar a aderência ou queima dos ingredientes. Sugestão: coloque a carne ou o peixe à temperatura ambiente antes de fritar para evitar que fiquem colados.
- O produto CADAC | Dometic Soft Soak e a escova de imersão suave Soft Soak Brush (vendidos em separado) são produtos de limpeza ideais para as superfícies de cozedura GreenGrill, dado que ajudam a deixar de molho e eliminar resíduos alimentares mais difíceis de remover.

9 Limpar o aparelho

- > Para prolongar a vida útil do aparelho, limpe-o bem após cada utilização.
- > Deixe o aparelho arrefecer antes de o limpar.
- > Para limpar o corpo do aparelho, basta passar um pano húmido com um pouco de detergente, conforme necessário.
- > Não mergulhe o aparelho em água, dado que pode danificar o tubo do queimador, provocando uma avaria.
- > Mantenha a água afastada dos queimadores e da área da luz-piloto. Seque completamente o aparelho antes de o utilizar.
- > Não utilize produtos de limpeza abrasivos porque estes podem danificar o aparelho.
- > Não utilize um vaporizador de alta pressão nem um jato de água para limpar o aparelho.



OBSERVAÇÃO

Para manchas difíceis de remover, pode utilizar o produto de limpeza para fornos CADAC.

10 Armazenamento

- > Deixe a unidade arrefecer e limpe-a bem antes de armazenar.
- > Certifique-se de que o abastecimento de gás está desligado antes de a desligar do aparelho.
- > Nunca guarde um aparelho com o abastecimento de gás ligado; esta prática não é segura.
- > Armazene o aparelho e o abastecimento de gás numa área bem ventilada, longe de combustíveis. De preferência, armazene as botijas no exterior, nunca numa cave ou garagem.

11 Manutenção e resolução de problemas

- > A limpeza e a manutenção regulares prolongam a vida útil do aparelho e reduzem a probabilidade de ocorrência de problemas.
- > Recomendamos a manutenção do aparelho a cada 12 meses por um agente de assistência técnica para assegurar um funcionamento eficiente.
- > A manutenção e reparação deste aparelho só podem ser realizadas por uma pessoa autorizada.
- > Verifique regularmente todas as ligações quanto a fugas e sempre que a botija de gás for reabastecida ou ligada.
- > Limpe as entradas do queimador em caso de derrame excessivo.

Resolução de falhas

- > Recomendamos a limpeza ou a substituição dos injetores a cada seis meses para manter um funcionamento eficiente.
- > Se o aparelho funcionar de forma anómala após o armazenamento e as verificações não isolarem o problema, é possível que o injetor esteja bloqueado. Um injetor bloqueado é indicado por meio de uma chama amarelada mais fraca ou pela ausência de chama. Nesses casos, retire e limpe cuidadosamente o injetor para remover quaisquer matérias estranhas.
- > Retire o injetor utilizando ferramentas padrão e sobre qualquer sujidade. Em alternativa, adquira novos injetores na loja local. Não tente limpar o injetor por meios mecânicos.

Substituir um injetor obstruído

O aparelho está equipado com um injetor de tamanho específico para regular a quantidade correta de gás. Se o orifício do injetor estiver obstruído, pode provocar uma chama fraca ou a ausência de chama. Evite limpar o injetor com um alfinete ou um dispositivo semelhante,

uma vez que pode danificar o injetor, representando um risco de segurança para o aparelho. Para substituir o injetor, proceda da seguinte forma:

 **fig. 7** na página 6

1. Retire o tabuleiro de gordura.
2. Desaparafuse os três parafusos da placa de proteção térmica e retire a proteção térmica.
3. Desaparafuse os dois parafusos do conjunto do queimador e retire-o, tendo cuidado para não danificar o fio do dispositivo de ignição ligado.
4. Utilize uma chave inglesa adequada para retirar o injetor; evite utilizar um alicate dado que pode danificar o injetor. Enrosque o novo injetor na válvula, tendo cuidado para não apertar demasiado para evitar danos.

12 Peças sobressalentes

 **fig. 8** na página 7



OBSERVAÇÃO Utilize sempre peças sobressalentes genuínas. Contacte o fornecedor local para obter ajuda.

13 Garantia

Aplica-se o prazo de garantia legal. Se o produto apresentar defeitos, contacte o seu revendedor ou a filial do fabricante no seu país. (Consulte www.cadacinternational.com/support)

Para fins de reparação e do processamento da garantia, envie também os seguintes documentos quando devolver o produto:

- Uma cópia da fatura com a data de aquisição
- Um motivo de reclamação ou uma descrição da falha

Tenha em atenção que as reparações feitas por si ou por não profissionais podem ter consequências sobre a segurança e anular a garantia.

14 Dados técnicos

Tabela 5: Dados técnicos

País de utilização	BE, CH, CY, CZ, ES, FR, GB, GR, IE, IT, LT, LU, LV, PT, SK, SI		PL	BE, CY, DK, EE, FR, FI, HU, IT, LT, NL, NO, SE, SI, SK, RO, HR, TR, BG, IS, LU, MT, ZA	AT, CH, DE, SK
Categoria do aparelho	I _{3+(28-30/37)}		I _{3B/P (37)}	I _{3B/P (30)}	I _{3B/P (50)}
Gases permitidos	Butano	Propano	Butano, propano ou uma mistura de ambos		
Pressão do gás	28-30 mbar	37 mbar	37mbar	28-30 mbar	50mbar
Número do bico	0.68		0.65	0.68	0.61
Utilização nominal	145 g/h				
Caudal térmico nominal bruto	2kW		2kW	2kW	2kW

Nomes de países e abreviaturas

AT = Áustria	BE = Bélgica	BG = Bulgária	CH = Suíça	CY = Chipre
CZ = República Checa	DE = Alemanha	DK = Dinamarca	EE = Estónia	ES = Espanha
FI = Finlândia	FR = França	GB = Reino Unido	GR = Grécia	HR = Croácia
HU = Hungria	IE = Irlanda	IS = Islândia	IT = Itália	LT = Lituânia
LU = Luxemburgo	LV = Letónia	MT = Malta	NL = Países Baixos	NO = Noruega
PL = Polónia	PT = Portugal	RO = Roménia	SE = Suécia	SI = Eslovénia
SK = Eslováquia	TR = Turquia			

Italiano

1	Note importanti.....	52
2	Spiegazione dei simboli.....	52
3	Istruzioni per la sicurezza.....	52
4	Fuoriuscite di gas.....	54
5	Elenco dei componenti.....	55
6	Montaggio dell'apparecchio.....	55
7	Funzionamento dell'apparecchio.....	56
8	Superfici di cottura GreenGrill.....	57
9	Pulizia dell'apparecchio.....	58
10	Stoccaggio.....	58
11	Manutenzione e risoluzione dei problemi... ..	58
12	Ricambi.....	59
13	Garanzia.....	59
14	Specifiche tecniche.....	60

1 Note importanti

Leggere attentamente e seguire tutte le istruzioni, le linee guida e le avvertenze incluse in questo manuale del prodotto, al fine di garantirne sempre un'installazione, un utilizzo e una manutenzione corretti. Queste istruzioni DEVONO essere conservate insieme al prodotto.

Utilizzando il prodotto, l'utente conferma di aver letto attentamente tutte le istruzioni, le linee guida e le avvertenze e di aver compreso e accettato di rispettare i termini e le condizioni qui espressamente indicati. L'utente accetta di utilizzare questo prodotto solo per lo scopo e l'applicazione previsti e in conformità con le istruzioni, le linee guida e le avvertenze indicate nel presente manuale del prodotto, nonché in conformità con tutte le leggi e i regolamenti vigenti. La mancata lettura e osservanza delle istruzioni e delle avvertenze qui espressamente indicate può causare lesioni personali e a terzi, danni al prodotto o ad altre proprietà nelle vicinanze. Il presente manuale del prodotto, comprese le istruzioni, le linee guida e le avvertenze e la relativa documentazione, possono essere soggetti a modifiche e aggiornamenti. Per informazioni aggiornate sul prodotto, visitare documents.domestic.com.

2 Spiegazione dei simboli

Il termine presente nella segnalazione identifica i messaggi di sicurezza e quelli relativi al danneggiamento della proprietà, oltre a indicare il grado o livello di gravità del rischio.



PERICOLO!

indica una situazione di pericolo che, se non evitata, provoca lesioni gravi o mortali.



AVVERTENZA!

indica una situazione di pericolo che, se non evitata, potrebbe provocare lesioni gravi o mortali.



ATTENZIONE!

indica una situazione di pericolo che, se non evitata, potrebbe provocare lesioni di entità lieve o moderata.



AVVISO!

Indica una situazione di pericolo che, se non evitata, può provocare danni alle cose.



NOTA Informazioni supplementari relative al funzionamento del prodotto.

3 Istruzioni per la sicurezza

- > Leggete attentamente queste istruzioni per acquisire dimestichezza con l'apparecchio. Se non si seguono le presenti istruzioni, tutte le garanzie saranno nulle. Conservare le istruzioni per riferimento futuro.

Sicurezza generale

- > La mancata osservanza di queste avvertenze può causare la morte o lesioni gravi.



AVVERTENZA! Pericolo di monossido di carbonio

- > Non usare mai questo prodotto al chiuso. Il processo di combustione del gas liquido produce monossido di carbonio che si accumula negli ambienti chiusi.
- > Questo apparecchio a gas consuma aria (ossigeno). Assicurarsi di utilizzare l'apparecchio in un'area ben ventilata.
- > Se nell'ambiente sono presenti altri apparecchi a gas, garantire una maggiore ventilazione.
- > Non utilizzare questo prodotto in ambienti non aerati come stanze chiuse, tende da campeggio, verande, veicoli a motore, camper, caravan o all'interno di navi, yacht, barche e cabine di autocarri.
- > **Usare solo all'aperto.**



AVVERTENZA! Pericolo di esplosione

- > Non modificare questo apparecchio. Utilizzare solo come previsto.
- > Questo prodotto può essere riparato solo da personale specializzato. Le riparazioni effettuate in modo scorretto possono causare gravi rischi.



AVVERTENZA! Pericolo di incendio

- > Non lasciare questo apparecchio incustodito quando è caldo o durante l'uso.
- > Tenere a portata di mano un estintore o altri mezzi adatti a spegnere le fiamme in caso di emergenza.

Sicurezza durante l'uso

 **fig. 1** alla pagina 2



PERICOLO! Pericolo di esplosione

- > Non utilizzare questo apparecchio se presenta fuoriuscite, è danneggiato o non funziona correttamente.
- > Non utilizzare l'apparecchio se presenta guarnizioni danneggiate o usurate.



ATTENZIONE! Pericolo di ustioni

- > Le parti accessibili possono essere molto calde. Tenere lontano dalla portata dei bambini.
- > Utilizzare guanti di protezione quando si maneggiano componenti caldi.
- > Non indossare abiti larghi o lasciare liberi i capelli lunghi mentre si accende o si usa questo prodotto.
- > Tenere mani, viso e capelli lontani dai bruciatori.
- > Monitorare attentamente tutte le attività che si svolgono intorno a questo prodotto per evitare ustioni o altre lesioni.
- > Utilizzare sempre l'apparecchio su una base piana e stabile. Verificare che il prodotto assemblato sia stabile e non si muova.
- > Assicurarsi che le superfici di cottura/di supporto recipienti siano posizionate correttamente durante l'uso dell'apparecchio.
- > Non spostare l'apparecchio durante l'uso.
- > Tenere i bambini e gli animali domestici a distanza di sicurezza.
- > L'uso di alcol o di farmaci con o senza prescrizione medica può compromettere la capacità di assemblare correttamente o utilizzare questo apparecchio in modo sicuro.
- > Lasciare raffreddare bene il prodotto prima di toccarlo a mani nude.



ATTENZIONE! Pericolo di incendio

- > Questo apparecchio deve essere tenuto lontano dai materiali infiammabili durante l'uso. Le distanze di sicurezza minime sono: 120 cm sopra l'apparecchio, 60 cm sulla parte posteriore e sui lati.
- > Non appoggiare oggetti che non siano pentole e padelle sopra o vicino all'apparecchio.
- > Quando si cucina con una pentola o una padella, utilizzare esclusivamente recipienti delle dimensioni consigliate, con diametro compreso tra 150 mm e 300 mm.
- > Non mettere prodotti chimici, materiali infiammabili o aerosol spray vicino a questo apparecchio.
- > In caso di incendio chiudere immediatamente il gas.

Precauzioni di sicurezza per il gas e i tubi flessibili

- > Utilizzare questo apparecchio esclusivamente con un tubo flessibile e un regolatore approvati.



PERICOLO! Pericolo di esplosione

- > Utilizzare questo apparecchio esclusivamente con un tubo flessibile e un regolatore approvati.
- > Non modificare il regolatore in alcun modo.
- > Non utilizzare l'apparecchio se il tubo flessibile è danneggiato o usurato. Controllare che il tubo flessibile non sia danneggiato prima di ogni utilizzo e prima di collegarlo all'alimentazione del gas.
- > Il gas viene erogato all'apparecchio tramite un tubo flessibile e un regolatore, collegato a una bombola del gas di peso non superiore a 9 kg, in conformità alle normative locali vigenti, oppure a un'unità CADAC Dometic Power Pak che contiene due o più cartucce di gas. Tentare di montare altri tipi di bombole del gas o di cartucce di gas può essere pericoloso.
- > Utilizzare esclusivamente con una bombola del gas che non superi 500 mm di altezza (escluso il regolatore) e 350 mm di larghezza.
- > Collegare l'alimentazione del gas in un'area ben ventilata, preferibilmente all'aperto, lontano da fonti di accensione

come fiamme libere e fuochi, e lontano da altre persone.

- > Mantenere la fonte di alimentazione del gas a distanza da fonti di calore e fiamme. Non posizionare su un piano cottura o su altre superfici calde.
- > Quando si collega il tubo flessibile all'apparecchio, instradarlo lontano dal corpo dell'apparecchio. Non torcere né schiacciare il tubo flessibile.
- > Durante l'uso, mantenere la fonte di alimentazione del gas in posizione verticale per garantire un corretto prelievo di carburante. La mancata osservanza di questa precauzione può causare lo scaricamento del liquido, con conseguente pericolo durante il funzionamento.
- > Non interrompere l'alimentazione del gas quando l'apparecchio è in uso.
- > L'alimentazione del gas deve essere scollegata dall'apparecchio dopo l'uso o in fase di stoccaggio.

4 Fuoriuscite di gas

Eventuali fuoriuscite di gas da tubi flessibili danneggiati o collegamenti non eseguiti a regola d'arte possono creare condizioni pericolose e devono essere risolte immediatamente. È fondamentale che tutti i collegamenti del gas siano stati montati correttamente per prevenire eventuali fuoriuscite di gas.



PERICOLO! Pericolo di esplosione

- > Se si avverte odore di gas, chiudere immediatamente la valvola della bombola e dall'apparecchio ruotando la manopola di controllo in senso orario fino alla posizione "OFF".
- > Estinguere eventuali fiamme libere.
- > Spostare l'apparecchio in un luogo privo di fiamme ed eseguire una prova di tenuta del gas. Il test deve essere eseguito all'aperto in un'area ben ventilata, lontano da eventuali fiamme libere o fonti di accensione.
- > Non usare mai fiamme libere per verificare la presenza di fuoriuscite di gas, bensì acqua saponata.

Come eseguire la prova di tenuta del gas

È necessario eseguire una prova di tenuta del gas ogni volta che si montano un tubo flessibile e un regolatore sull'apparecchio e sulla fonte di alimentazione del gas, e ogni volta che quest'ultima viene sostituita.



PERICOLO! La mancata identificazione e il mancato controllo di una fuoriuscita di gas possono causare potenziali lesioni o il decesso.

- > Per eseguire una prova di tenuta del gas, applicare acqua saponata su tutti i punti di collegamento lungo il tubo del gas, sul collegamento tra il tubo del gas e l'apparecchio e sul collegamento tra il regolatore e l'alimentazione del gas.
- > Aprire lentamente la valvola della bombola del gas per consentire il passaggio del gas.
- > Se in qualsiasi punto di collegamento si formano delle bolle, è presente una fuoriuscita di gas.
- > Chiudere immediatamente il gas e scollegare l'alimentazione dall'apparecchio. Verificare che tutte le guarnizioni siano in posizione e siano integre. Sostituire le guarnizioni che mostrano danni visibili.
- > Ricollegare l'alimentazione del gas all'apparecchio ed eseguire nuovamente la prova di tenuta.
- > Se la fuoriuscita di gas persiste, restituire il prodotto a un addetto del servizio di assistenza autorizzato.

Stabilità della fiamma

Durante l'uso dell'apparecchio, assicurarsi che la fiamma sia stabile.



AVVERTENZA! Un ritorno di fiamma incontrollato (fiamma nel bruciatore o nell'alloggiamento dell'ugello) può generare pericoli durante il funzionamento.

- > In caso di ritorno di fiamma, interrompere immediatamente l'alimentazione del gas, in primo luogo chiudendo la valvola della bombola e poi ruotando la manopola dell'apparecchio su "OFF". Quando la fiamma è spenta, rimuovere il regolatore e

controllare le condizioni della guarnizione; se necessario, sostituirla.

- > Ricollegare l'alimentazione del gas e accendere nuovamente l'apparecchio.
- > Se il problema del ritorno di fiamma persiste, restituire il prodotto per una valutazione a un addetto del servizio di assistenza autorizzato.

5 Elenco dei componenti

 **fig. 2** alla pagina 3

Componente	Descrizione
①	Domed lid / Pot
②	Barbecue griddle
③	Flat griddle
④	Pan support
⑤	Drip pan
⑥	Burner
⑦	Control knob
⑧	Igniter
⑨	Quick release connection
⑩	Flat lid
⑪	BBQ 2 Plancha 30
⑫	Paella Pan 30

Componenti dei modelli

Di seguito sono riportate le combinazioni dei modelli per la gamma di prodotti:

	6545-10	6545-20	6545-25
1	X	X	X
2	X	X	X
3	X		X
4	X	X	X
5	X	X	X
6	X	X	X
7	X	X	X
8	X	X	X
9			X
10			X
11			

	6545-10	6545-20	6545-25
12			

6 Montaggio dell'apparecchio

 **fig. 3** alla pagina 4



AVVERTENZA! Sicurezza generale

Le gambe sono dotate di molla. Eseguire con attenzione l'apertura e la chiusura delle gambe per evitare lesioni personali o danni all'apparecchio.

Per aprire le gambe

- > Rimuovere tutte le parti smontate dall'apparecchio. Capovolgere l'unità e sollevare singolarmente ciascuna gamba. Se la gamba è stata aperta correttamente, si udirà uno scatto.

Per ripiegare le gambe

- > Tenere saldamente la gamba e spingere verso il basso il fermo di rilascio della gamba (M). Spingere i piedini verso l'interno fino alla posizione di chiusura. Questa operazione deve essere eseguita in sequenza per ottimizzare lo spazio, partendo dalla gamba anteriore sinistra (1), passando alla gamba anteriore destra (2) e infine alla gamba posteriore (3).

Collegamento dell'alimentazione del gas

 **fig. 4** alla pagina 4

	A	B	C
IT	Regolatore	Guarnizione	Valvola di controllo

- > Prima di collegare l'apparecchio all'alimentazione del gas, verificare che la guarnizione in gomma sul regolatore sia fissata correttamente e in buone condizioni.
- > Prima di collegare all'apparecchio un tubo flessibile e un regolatore approvati, verificare che la manopola di controllo dell'apparecchio sia in posizione OFF "•".
- > Eliminare qualsiasi traccia di polvere dalla bocchetta di alimentazione del gas per prevenire possibili ostruzioni dell'iniettore.
- > Assicurarsi di montare la fonte di alimentazione del gas in un luogo ben ventilato e lontano da qualsiasi fonte di accensione, ad esempio fiamme libere, e ben distante da altre persone.

- > Non fumare durante il collegamento o la sostituzione della fonte di alimentazione del gas.
- > Assicurarsi che la bombola del gas sia trovi sempre in posizione verticale. Collegare il regolatore alla bombola del gas e serrare manualmente per fissare il collegamento.

Collegamento del tubo flessibile all'apparecchio

fig. 5 alla pagina 5

- > Collegare il tubo flessibile all'apparecchio. Serrare per fissare il collegamento. Non torcere né schiacciare il tubo flessibile. Assicurarsi che sia instradato lontano dal corpo dell'apparecchio a gas per evitare il deterioramento/danni al tubo a causa del calore.
- > Verificare che sia stata realizzata una tenuta completa eseguendo una prova di tenuta del gas come descritto nel capitolo Fuoriuscite di gas. Se non fosse possibile riparare una fuoriuscita di gas, non utilizzare l'apparecchio. In caso di dubbi, contattare il rivenditore più vicino.
- > Eseguire tutti i suddetti controlli di sicurezza ogni volta che si collega l'apparecchio all'alimentazione del gas.

Scollegamento e sostituzione della fonte di alimentazione del gas

- > Dopo l'uso, ruotare la manopola di controllo dell'apparecchio in posizione OFF "•" e interrompere l'erogazione di gas.
- > Quando si deve sostituire una bombola vuota, verificare che la valvola del gas sulla bombola sia chiusa.
- > Rimuovere il regolatore dalla bombola vuota e collegarlo a una bombola piena. Consultare le istruzioni sopra riportate per collegare la fonte di alimentazione del gas.
- > Applicare la stessa cura e le stesse procedure di controllo previste per il montaggio di una bombola del gas nuova.

Come controllare se la bombola del gas è vuota

- > Il peso a vuoto di una bombola del gas è solitamente riportato sul collo o sull'anello della base. Pesando la bombola si ottiene il livello del gas effettivo. Se il peso corrisponde al peso indicato, la bombola è vuota. La differenza tra il peso effettivo e il peso stampato indica la presenza di gas residuo.

7 Funzionamento dell'apparecchio

- > Prima di utilizzare l'apparecchio per la prima volta, assicurarsi di rimuovere l'imballaggio protettivo e la plastica.
- > Ad ogni utilizzo, assicurarsi che tutte le parti siano in buone condizioni. Eseguire una prova di tenuta del gas come descritto nel capitolo Fuoriuscite di gas ogni volta che si collega o si sostituisce la fonte di alimentazione del gas.
- > Dopo un periodo di stoccaggio prolungato, controllare l'apparecchio per verificare l'eventuale presenza di insetti, residui e ragnatele, che potrebbero avere un impatto negativo sul flusso del gas.
- > Utilizzare l'apparecchio esclusivamente su una superficie piana e stabile.
- > Non spostare l'apparecchio durante l'uso. Si tratta di una pratica non sicura e potrebbe causare fiammate.
- > Rimuovere le superfici di cottura quando si accende l'apparecchio.
- > Utilizzare esclusivamente recipienti di cottura con un diametro compreso tra 150 mm e 300 mm.

Accensione dell'apparecchio utilizzando il dispositivo di accensione

fig. 6 alla pagina 5

- > Per accendere il bruciatore a gas, premere e ruotare la manopola di controllo in senso antiorario fino all'impostazione massima, premendo contemporaneamente il pulsante del dispositivo di accensione.
- > Se il gas non si accende con la prima scintilla, ruotare nuovamente la manopola di controllo in posizione OFF "•", quindi tentare nuovamente l'accensione.
- > Se il gas non si è acceso dopo i primi due o tre secondi, chiudere la valvola di controllo portando nuovamente la manopola in OFF "•".
- > Attendere circa 30 s per consentire la fuoriuscita di eventuale gas accumulato nel bruciatore. Se necessario, ripetere la procedura sopra descritta finché non si accende la fiamma. Normalmente, la fiamma dovrebbe accendersi entro uno o due secondi.

Accensione dell'apparecchio utilizzando un accendino per barbecue

- > Quando si accende un apparecchio freddo, questo si può accendere dalla parte superiore del bruciatore prima di montare la superficie di cottura desiderata.

- > Quando si accende un apparecchio caldo, questo si può accendere avvicinando un accendino per barbecue in uno dei fori di ventilazione sotto il bruciatore finché non si trova in linea con il bruciatore. **NON** inserire l'accendino per barbecue nel foro grande che si trova direttamente sotto il bruciatore.
- > Con l'accendino per barbecue in posizione, accenderlo prima di premere e ruotare la manopola di controllo in senso antiorario e accendere il bruciatore a gas.



NOTA

- Una volta acceso l'apparecchio, regolare l'intensità della fiamma ruotando la manopola di controllo in senso orario per diminuire la fiamma e in senso antiorario per aumentarla.
- Se si cucinano alimenti con elevato contenuto di grassi, si possono verificare fiammate se l'impostazione di calore selezionata è troppo alta. In questo caso, ridurre il calore finché non cessa la fiammata.
- Dopo l'uso, assicurarsi che la manopola di controllo dell'apparecchio sia in posizione OFF "•" e che la fiamma sia spenta prima di rimuovere la fonte di alimentazione del gas.

8 Superfici di cottura GreenGrill

La maggior parte delle superfici di cottura CADAC | Dometic è dotata di rivestimento in ceramica antiaderente GreenGrill, privo di PFOA e atossico, per garantire una cottura più sana.

Preparazione della superficie di cottura

Prima di utilizzare il prodotto per la prima volta, si consiglia di preparare la superficie di cottura per evitare che gli alimenti si attacchino.

- > Applicare uno strato sottile di olio da cucina sull'intera superficie di cottura, quindi riscaldare a calore medio per 2-3 minuti.
- > Lasciare raffreddare la superficie di cottura e poi lavarla con acqua calda e sapone.
- > Applicare nuovamente un sottile strato di olio sulla superficie di cottura. Adesso la superficie è pronta per l'uso.

Pulizia della superficie di cottura

- > Lasciare raffreddare completamente le superfici di cottura prima di immergerle in acqua.
- > Pulire la superficie di cottura con acqua calda e sapone e una spugna morbida. Non utilizzare spugnette abrasive.
- > Per rimuovere le macchie e i residui più ostinati, immergere la superficie di cottura in acqua calda per alcuni minuti, trascorsi i quali, procedere al lavaggio.

Manutenzione

- > Dopo la pulizia e prima di riporla, si consiglia di distribuire una piccola quantità di olio sulla superficie di cottura per proteggerla dall'aria e dall'umidità.
- > Nella maggior parte dei casi, le superfici di cottura vengono fornite con una pratica custodia. Posizionare la superficie di cottura oliata in un sacchetto di plastica e successivamente riporla nella custodia per mantenerla pulita e priva di residui.

Metodi di cottura

- > Griglia: la griglia de BBQ è ideale per grigliare pollo, carne, pesce o verdure senza grassi.
- > Piastra: la piastra piatta è perfetta per saltare e rosolare pesce, pancetta, uova e verdure, e per preparare pancake.
- > Bollitura: preparare salse o cuocere riso e pasta è molto facile grazie all'uso di un recipiente o di una pentola adatti, posizionati sul supporto pentola. Non utilizzare pentole con impugnature in plastica, poiché potrebbero surriscaldarsi e fondersi durante la cottura.

Accessori opzionali

- > Piastra per pizza Pro: ideale per preparare pizze, focacce, ecc. È necessario utilizzare la cupola per creare un "forno" per la panificazione.
- > Padella per paella: realizzata in alluminio pressato di alta qualità per una distribuzione uniforme del calore, la padella per paella è perfetta per preparare paella, risotto, pasta, colazioni tradizionali, ecc.
- > Supporto per bricco da caffè: è la piattaforma perfetta per preparare il caffè con caffettiera o bollitore.

**NOTA**

- Il rivestimento GreenGrill è un miglior conduttore di calore rispetto ai normali rivestimenti antiaderenti (PTFE). Di conseguenza, si consiglia di utilizzare solo il 75% della normale impostazione di potenza.
- Per evitare di danneggiare la superficie di cottura, applicare sempre uno strato di olio sulla fonte di calore.
- Si consiglia la cottura con olio di semi di girasole o di colza per via del loro elevato punto di fumo. Si sconsiglia l'uso dell'olio d'oliva perché ha un punto di fumo più basso e gli ingredienti potrebbero attaccarsi o bruciarsi. Consiglio: portare la carne o il pesce a temperatura ambiente prima di cuocerli per evitare che si attacchino.
- I prodotti Soft Soak e Soft Soak Brush di CADAC | Dometic (venduti separatamente) sono ideali per la pulizia delle superfici di cottura GreenGrill; infatti aiutano l'ammollo e la rimozione dei residui di cibo più ostinati.

9 Pulizia dell'apparecchio

- > Per prolungare la durata dell'apparecchio, pulirlo bene dopo ciascun utilizzo.
- > Prima di pulirlo, lasciare raffreddare l'apparecchio.
- > Per pulire il corpo dell'apparecchio, è sufficiente asciugarlo con un panno umido e un po' di detersivo.
- > Non immergere l'apparecchio in acqua poiché si potrebbe danneggiare il tubo flessibile del bruciatore e causare il malfunzionamento dell'apparecchio.
- > Tenere i bruciatori e l'area della fiamma pilota lontani dall'acqua. Asciugare completamente l'apparecchio prima dell'uso.
- > Non usare detergenti abrasivi perché possono danneggiare le superfici.
- > Non pulire l'apparecchio con un getto d'acqua o di vapore ad alta pressione.

**NOTA**

In caso di macchie ostinate, utilizzare il detergente per forno CADAC.

10 Stoccaggio

- > Lasciare raffreddare l'unità e pulirla accuratamente prima di riporla.
- > Assicurarsi che l'alimentazione del gas sia interrotta prima di scollegarla dall'apparecchio.
- > Non riporre mai un apparecchio con l'alimentazione del gas collegata; si tratta di una procedura non sicura.
- > Riporre l'apparecchio e la fonte di alimentazione del gas in un luogo ben ventilato, lontano da combustibili. È preferibile conservare le bombole all'aperto, mai in una cantina o in un garage.

11 Manutenzione e risoluzione dei problemi

- > Una pulizia e una manutenzione regolari prolungano la durata dell'apparecchio e riducono la possibilità di problemi.
- > Per garantire un funzionamento efficiente, si consiglia di sottoporre l'apparecchio a manutenzione ogni 12 mesi rivolgendosi a un addetto del servizio di assistenza.
- > La manutenzione di questo apparecchio deve essere effettuata solo da persone autorizzate.
- > Controllare regolarmente tutti i collegamenti per verificare l'eventuale presenza di fuoriuscite e ogni volta che si ricarica o si collega la bombola del gas.
- > Pulire le aperture del bruciatore in caso di fuoriuscite.

Risoluzione dei problemi

- > Si consiglia di pulire o sostituire gli iniettori ogni sei mesi per garantire un funzionamento efficiente.
- > Se l'apparecchio funziona in modo anomalo dopo lo stoccaggio e i controlli non isolano il problema, l'iniettore potrebbe essere bloccato. Il blocco di un iniettore è indicato da una fiamma giallognola più debole o dall'assenza di fiamma. In questi casi, rimuovere e pulire accuratamente l'iniettore per eliminare eventuali corpi estranei.
- > Rimuovere l'iniettore utilizzando attrezzi standard e soffiare via tutta la sporcizia. In alternativa, acquistare nuovi iniettori presso il negozio locale. Non tentare la pulizia meccanica dell'iniettore.

Sostituzione di un iniettore bloccato

L'apparecchio è dotato di un iniettore di dimensioni specifiche che consente di regolare la corretta quantità di gas. Se il foro dell'iniettore è bloccato, la fiamma potrebbe essere debole o assente. Non pulire l'iniettore con uno spillo o simili dispositivi poiché l'iniettore

potrebbe danneggiarsi e comportare rischi per la sicurezza dell'apparecchio. Per sostituire l'iniettore, procedere come indicato di seguito:

 **fig. 7** alla pagina 6

1. Rimuovere la vaschetta del grasso.
2. Rimuovere le tre viti sulla piastra dello scudo termico, quindi rimuovere lo scudo termico.
3. Rimuovere le due viti sul gruppo del bruciatore e rimuoverlo, prestando attenzione a non danneggiare il filo del dispositivo di accensione collegato.
4. Utilizzare una chiave adatta per rimuovere l'iniettore; non utilizzare pinze per non danneggiare l'iniettore. Avvitare il nuovo iniettore nella valvola, prestando attenzione a non serrare eccessivamente per prevenire danni.

12 Ricambi

 **fig. 8** alla pagina 7



NOTA Utilizzare sempre ricambi originali. Contattare il fornitore locale per ricevere assistenza.

13 Garanzia

Si applica il periodo di garanzia previsto dalla legge. Se il prodotto è guasto, contattare il rivenditore di fiducia o la filiale del fabbricante nel proprio Paese (vedere www.cadacinternational.com/support)

Per la gestione della riparazione e della garanzia è necessario inviare la seguente documentazione insieme al prodotto:

- una copia della ricevuta con la data di acquisto;
- il motivo della richiesta o la descrizione del guasto.

Tenere presente che le riparazioni eseguite in autonomia o da personale non professionista possono compromettere la sicurezza e invalidare la garanzia.

14 Specifiche tecniche

Tabella 6: Specifiche tecniche

Paese di utilizzo	BE, CH, CY, CZ, ES, FR, GB, GR, IE, IT, LT, LU, LV, PT, SK, SI		PL	BE, CY, DK, EE, FR, FI, HU, IT, LT, NL, NO, SE, SI, SK, RO, HR, TR, BG, IS, LU, MT, ZA	AT, CH, DE, SK
Categoria dell'apparecchio	I _{3+(28-30/37)}		I _{3B/P (37)}	I _{3B/P (30)}	I _{3B/P (50)}
Gas consentiti	Butano	Propano	Butano, propano o loro miscela		
Pressione del gas	28-30 mbar	37 mbar	37 mbar	28-30 mbar	50 mbar
Numero ugelli	0.68		0.65	0.68	0.61
Consumo nominale	145 g/ora				
Potenza termica utile massima	2 kW		2 kW	2 kW	2 kW

Nomi e abbreviazioni dei paesi

AT = Austria	BE = Belgio	BG = Bulgaria	CH = Svizzera	CY = Cipro
CZ = Repubblica Ceca	DE = Germania	DK = Danimarca	EE = Estonia	ES = Spagna
FI = Finlandia	FR = Francia	GB = Regno Unito	GR = Grecia	HR = Croazia
HU = Ungheria	IE = Irlanda	IS = Islanda	IT = Italia	LT = Lituania
LU = Lussemburgo	LV = Lettonia	MT = Malta	NL = Paesi Bassi	NO = Norvegia
PL = Polonia	PT = Portogallo	RO = Romania	SE = Svezia	SI = Slovenia
SK = Slovacchia	TR = Turchia			

Nederlands

1	Belangrijke opmerkingen.....	61
2	Verklaring van de symbolen.....	61
3	Veiligheidsaanwijzingen.....	61
4	Gaslekken.....	63
5	Componentenlijst.....	63
6	Het apparaat in elkaar zetten.....	64
7	Het apparaat bedienen.....	65
8	GreenGrill kookvlakken.....	66
9	Het toestel reinigen.....	66
10	Opbergen.....	67
11	Onderhoud en probleemoplossing.....	67
12	Reserveonderdelen.....	67
13	Garantie.....	67
14	Technische gegevens.....	69

1 Belangrijke opmerkingen

Lees deze gebruiksaanwijzing zorgvuldig door en volg alle instructies, richtlijnen en waarschuwingen in deze handleiding op om ervoor te zorgen dat u het product te allen tijde op de juiste manier installeert, gebruikt en onderhoudt. Deze gebruiksaanwijzing MOET bij dit product worden bewaard.

Door het product te gebruiken, bevestigt u hierbij dat u alle instructies, richtlijnen en waarschuwingen zorgvuldig hebt gelezen en dat u de voorwaarden zoals hierin beschreven begrijpt en accepteert. U gaat ermee akkoord dit product alleen te gebruiken voor het beoogde doel en de beoogde toepassing en in overeenstemming met de instructies, richtlijnen en waarschuwingen zoals beschreven in deze gebruiksaanwijzing en in overeenstemming met de geldende wet- en regelgeving. Het niet lezen en opvolgen van de hierin beschreven instructies en waarschuwingen kan leiden tot letsel voor uzelf en anderen, schade aan uw product of schade aan andere eigendommen in de omgeving. Deze gebruiksaanwijzing, met inbegrip van de instructies, richtlijnen en waarschuwingen, en de bijbehorende documentatie kan onderhevig zijn aan wijzigingen en updates. Voor de recentste productinformatie, bezoek documents.dometic.com.

2 Verklaring van de symbolen

Een signaalwoord geeft informatie over veiligheid en eigendomsschade en geeft de mate of ernst van het gevaar aan.



GEVAAR!

Duidt op een gevaarlijke situatie die, indien deze niet wordt voorkomen, ernstig letsel of de dood tot gevolg heeft.



WAARSCHUWING!

Duidt op een gevaarlijke situatie die, indien deze niet wordt voorkomen, ernstig letsel of de dood tot gevolg kan hebben.



VOORZICHTIG!

Duidt op een gevaarlijke situatie die, indien deze niet wordt voorkomen, licht of matig letsel tot gevolg kan hebben.



LET OP!

Duidt op een situatie die, indien deze niet wordt voorkomen, kan leiden tot materiële schade.



INSTRUCTIE Aanvullende informatie voor het gebruik van het product.

3 Veiligheidsaanwijzingen

- > Lees deze instructies zorgvuldig door om vertrouwd te raken met het apparaat. Alle garanties komen te vervallen als u deze instructies niet opvolgt. Bewaar deze instructies voor toekomstig gebruik.

Algemene veiligheid

- > Het niet in acht nemen van deze waarschuwingen kan leiden tot ernstig letsel of de dood.



WAARSCHUWING! Gevaar voor koolmonoxide

- > Gebruik dit product nooit binnen. Bij het verbranden van vloeibaar gas komt koolmonoxide vrij, dat zich in afgesloten ruimtes ophoopt.
- > Dit gasapparaat verbruikt lucht (zuurstof). Zorg ervoor dat het apparaat in een goed geventileerd gebied wordt gebruikt.
- > Zorg voor extra ventilatie als er meer gasapparaten aan de omgeving worden toegevoegd.
- > Gebruik dit product niet in niet-geventileerde gebieden, zoals gesloten ruimtes, voortenten, motorvoertuigen, campers, caravans of binnenvaartschepen, jachten, boten en vrachtwagencabines.
- > **Alleen buiten gebruiken.**



WAARSCHUWING! Explosiegevaar

- > Wijzig het apparaat niet. Gebruik het enkel zoals bedoeld.
- > Reparaties aan dit product mogen uitsluitend door vakmonteurs worden uitgevoerd. Door ondeskundige reparaties kunnen ernstige risico's veroorzaken.

**WAARSCHUWING! Brandgevaar**

- > Laat dit apparaat niet onbeheerd achter tijdens gebruik of wanneer het heet is.
- > Houd een brandblusser of andere middelen die geschikt zijn om een vlam te doven bij de hand in geval van nood.

Veiligheid tijdens gebruik

 **afb. 1 op pagina 2**

**GEVAAR! Explosiegevaar**

- > Gebruik dit toestel niet als het lekkages bevat, beschadigd is of niet correct werkt.
- > Gebruik het apparaat niet als het beschadigde of versleten pakkingen heeft.

**VOORZICHTIG! Gevaar voor verbranding**

- > Aanraakbare onderdelen kunnen erg heet zijn. Houd jonge kinderen op afstand.
- > Gebruik beschermende handschoenen bij de omgang met hete onderdelen.
- > Draag geen loszittende kleding en laat lang haar niet los hangen terwijl u het product aansteekt of gebruikt.
- > Houd handen, gezicht en haar uit de buurt van branders.
- > Houd alle activiteiten rond dit product nauwlettend in de gaten om brandwonden of ander letsel te voorkomen.
- > Gebruik het apparaat altijd op een stevige, vlakke ondergrond. Zorg ervoor dat het gemonteerde product stabiel is en niet kan wiebelen.
- > Zorg ervoor dat de steunvlakken van de pan/het kookoppervlak correct zijn geplaatst wanneer u het apparaat gebruikt.
- > Verplaats dit apparaat niet tijdens gebruik.
- > Houd kinderen en huisdieren op een veilige afstand.
- > Het gebruik van alcohol, geneesmiddelen of drugs kan uw bekwaamheid beïnvloeden om dit apparaat op de juiste manier te monteren of veilig te bedienen.
- > Laat dit product goed afkoelen alvorens het met blote handen aan te raken.

**VOORZICHTIG! Brandgevaar**

- > Dit toestel moet tijdens het gebruik uit de buurt van ontvlambare materialen worden gehouden. Minimale veilige afstanden zijn: 120 cm boven het apparaat, en 60 cm aan de achterkant en zijkanten.
- > Plaats geen andere voorwerpen dan potten en pannen op of tegen dit apparaat.
- > Als u een pan gebruikt om in te koken, gebruik dan alleen de aanbevolen pangroote met een diameter van 150 mm tot 300 mm.
- > Plaats geen chemicaliën, ontvlambare materialen of spuitbussen in de buurt van dit toestel.
- > Schakel de gastoevoer onmiddellijk uit in geval van brand.

Veiligheidsvoorschriften voor gas en slangen

- > Gebruik dit apparaat alleen met een goedgekeurde slang en regelaar.

**GEVAAR! Explosiegevaar**

- > Gebruik dit apparaat alleen met een goedgekeurde slang en regelaar.
- > Wijzig of modificeer de regelaar op geen enkele manier.
- > Gebruik een apparaat niet als de slang beschadigd of versleten is. Controleer de slang op beschadiging voorafgaand aan elk gebruik en voordat u deze aansluit op de gastoevoer.
- > Gas wordt naar het apparaat gevoerd via een slang en regelaar die zijn aangesloten op een gascilinder van maximaal 9 kg en conform de geldende lokale regelgeving, of op een CADAC Dometic Power Pak, een eenheid die twee of meer gaspatronen kan bevatten. Het kan gevaarlijk zijn als u andere gascilinders of gaspatronen probeert te gebruiken.
- > Alleen voor gebruik met een gascilinder met een hoogte van niet meer dan 500 mm (exclusief de regelaar) en een breedte van niet meer dan 350 mm.
- > Sluit de gastoevoer aan in een goed geventileerd gebied, bij voorkeur buiten, uit de buurt van ontstekingsbronnen zoals open vuur en brand, en uit de buurt van andere mensen.

- > Houd de gastoevoer uit de buurt van hitte en vlammen. Plaats het apparaat niet op een fornuis of een ander heet oppervlak.
- > Wanneer u de slang aan het apparaat bevestigt, richt u de slang weg van de behuizing van het apparaat. Draai of klem de slang niet.
- > Houd de gastoevoer tijdens het gebruik rechtop voor een goede brandstofname. Als u dit niet doet, kan er vloeistof vrijkomen, wat kan leiden tot gevaarlijke bedrijfsomstandigheden.
- > Verwijder de gastoevoer niet terwijl dit apparaat in gebruik is.
- > De gastoevoer moet na gebruik of tijdens opslag van dit apparaat worden losgekoppeld.
- > Om een lektest uit te voeren, brengt u zeepwater aan op alle aansluitpunten langs de gaslang, d.w.z. op de aansluiting tussen de gaslang en het apparaat, en op de aansluiting tussen de regelaar en de gastoevoer.
- > Open de klep van de gascilinder langzaam om gas te laten stromen.
- > Als er bellen ontstaan op een aansluitpunt, is er een gaslek.
- > Schakel het gas onmiddellijk uit en koppel de gastoevoer los van het apparaat. Controleer of alle pakkingen op hun plaats zitten en in goede staat verkeren. Vervang eventuele pakkingen die tekenen van beschadiging vertonen.
- > Sluit de gastoevoer weer aan op het apparaat en voer de gaslekttest opnieuw uit.
- > Als het gaslek blijft bestaan, retourneert u het product naar uw erkende reparateur voor hulp.

4 Gaslekken

Gaslekken uit beschadigde slangen of onjuiste aansluitingen kunnen gevaarlijke omstandigheden veroorzaken en moeten onmiddellijk worden aangepakt. Het is van essentieel belang dat alle gasaansluitingen correct zijn aangesloten om gaslekken te voorkomen.



GEVAAR! Explosiegevaar

- > Als u gas ruikt, zet het gas dan onmiddellijk uit bij de gascilinderklep en op het apparaat door de bedieningsknop rechtsom naar de stand 'UIT' te draaien.
- > Doof eventuele vlammen
- > Verplaats het apparaat naar een vlamvrije locatie en voer een gaslektest uit. Deze test moet buiten worden uitgevoerd in een goed geventileerde ruimte weg van open vuur of ontstekingsbronnen.
- > Controleer het product nooit met open vuur op gaslekken. Gebruik zeepwater.

Een gaslektest uitvoeren

Telkens wanneer een slang en regelaar op het apparaat en de gastoevoer worden aangesloten, en telkens wanneer de gastoevoer wordt verwisseld, moet er een lektest worden uitgevoerd.



GEVAAR! Het niet identificeren en beheren van een gaslek kan leiden tot mogelijk letsel of de dood.

Vlamstabiliteit

Zorg ervoor dat de vlam stabiel blijft wanneer u het apparaat gebruikt.



WAARSCHUWING! Ongecontroleerde vlamterugslag (vlam die terugbrandt in de behuizing of het mondstuk) kan leiden tot gevaarlijke bedrijfsomstandigheden.

- > Schakel in het geval van een vlamterugslag de gastoevoer onmiddellijk uit door eerst de gascilinderklep te sluiten en vervolgens de bedieningsknop van het apparaat naar 'UIT' te draaien. Nadat de vlam is gedoofd, verwijdert u de regelaar en controleert u de toestand van de pakking; vervang deze indien nodig.
- > Sluit de gastoevoer weer aan en schakel het apparaat opnieuw in.
- > Als de vlamterugslag blijft aanhouden, dient u het product voor beoordeling terug te sturen naar uw erkende reparateur.

5 Componentenlijst

afb. 2 op pagina 3

Onderdeel	Beschrijving
①	Domed lid / Pot
②	Barbecue griddle
③	Flat griddle
④	Pan support
⑤	Drip pan
⑥	Burner
⑦	Control knob
⑧	Igniter
⑨	Quick release connection
⑩	Flat lid
⑪	BBQ 2 Plancha 30
⑫	Paella Pan 30

Modelonderdelen

Modelcombinaties voor de serie zijn als volgt:

	6545-10	6545-20	6545-25
1	X	X	X
2	X	X	X
3	X		X
4	X	X	X
5	X	X	X
6	X	X	X
7	X	X	X
8	X	X	X
9			X
10			X
11			
12			

6 Het apparaat in elkaar zetten

 **afb. 3** op pagina 4



WAARSCHUWING! Algemene veiligheid

De poten zijn veerbelast. Het openen en sluiten van de poten moet op gecontroleerde wijze gebeuren om persoonlijk letsel of schade aan het apparaat te voorkomen.

Om de poten te openen

- > Verwijder alle losse onderdelen van het apparaat. Draai de eenheid ondersteboven en til iedere poot afzonderlijk op. U hoort een klinkgeluid als de poot correct is geplaatst.

Om de poten terug te vouwen

- > Houd de poot stevig vast en duw de pootontgrendelklem omlaag (M). Duw de poten naar binnen in gesloten stand. Dit moet achtereenvolgens gebeuren om de pakruimte te optimaliseren, te beginnen met de linkervoorpoot (1), gevolgd door de rechtermiddelpoot (2) en ten slotte de achterpoot (3).

De gastoevoer aansluiten

 **afb. 4** op pagina 4

	A	B	C
NL	Regelaar	Pakking	Regelklep

- > Controleer of de rubberen pakking op de regelaar juist geplaatst is en in goede staat verkeert voordat u het apparaat aansluit op een gastoevoer.
- > Controleer of de bedieningsknop van het apparaat in de stand UIT staat voordat u een goedgekeurde slang en regelaar op het apparaat aansluit.
- > Blaas stof uit de gastoevoeropening om mogelijke verstopping van de verstuiver te voorkomen.
- > Zorg ervoor dat de gastoevoer op een goed geventileerde plaats is aangebracht, uit de buurt van ontstekingsbronnen zoals open vuur en uit de buurt van andere personen.
- > Rook niet wanneer u de gastoevoer aansluit of vervangt.
- > Zorg ervoor dat de gascilinder altijd rechtop wordt gehouden. Sluit de regelaar aan op de gascilinder en draai deze handvast aan om de aansluiting te borgen.

De slang aansluiten op het apparaat

 **afb. 5** op pagina 5

- > Sluit de slang aan op het apparaat. Draai aan om de aansluiting vast te zetten. Draai of klem de slang niet. Zorg ervoor dat deze niet in de behuizing van het gasapparaat wordt geplaatst om slijtage/ beschadiging van de slang door hitte te voorkomen.
- > Controleer of er een volledige gasafdichting is gemaakt door een lektest uit te voeren zoals beschreven in het hoofdstuk Gaslekken. Gebruik het apparaat niet als u een gaslek niet kunt repareren. Neem bij twijfel contact op met de dichtstbijzijnde leverancier.

- > Voer al deze veiligheidscontroles iedere keer uit wanneer u het apparaat aansluit op een gastoevoer.

De gastoevoer loskoppelen en vervangen

- > Draai na gebruik de bedieningsknop van het apparaat naar de stand UIT '•' en sluit de gastoevoer.
- > Wanneer u een lege cilinder moet vervangen, zorg er dan voor dat de gasklep op de gascilinder gesloten is.
- > Verwijder de regelaar van de lege cilinder en bevestig deze aan een volle cilinder. Raadpleeg de bovenstaande instructies voor het aansluiten van de gastoevoer.
- > Pas dezelfde zorgvuldigheids- en controleprocedures toe als bij het monteren van een nieuwe gascilinder.

Controleren of de gascilinder leeg is

- > Het leeggewicht van een gascilinder staat meestal op de hals- of voering gestempeld. Bij het wegen van de cilinder wordt het huidige gasniveau weergegeven. Als het gewicht overeenkomt met het gestempelde gewicht, is de cilinder leeg. Het verschil tussen het huidige gewicht en het gestempelde gewicht geeft de resterende hoeveelheid gas aan.

7 Het apparaat bedienen

- > Zorg ervoor dat de beschermende verpakking en het plastic van het apparaat zijn verwijderd voordat u het apparaat voor de eerste keer gebruikt.
- > Zorg er bij elk gebruik voor dat alle onderdelen in goede staat verkeren. Voer telkens wanneer de gastoevoer wordt aangesloten of verwisseld een lektest uit zoals beschreven in hoofdstuk Gaslekken.
- > Controleer het apparaat na langdurige opslag op insecten, vuil en spinnewebben die de gastroom kunnen beïnvloeden.
- > Gebruik dit apparaat enkel op een stevige, vlakke ondergrond.
- > Verplaats het apparaat niet tijdens gebruik. Dit is onveilig en kan leiden tot steekvlammen.
- > Verwijder eventuele kookoppervlakken wanneer u het apparaat aansteekt.
- > Gebruik uitsluitend bakvaten met een diameter van 150 mm tot 300 mm.

Steek het apparaat aan met de ontsteker

 **afb. 6** op pagina 5

- > Om de gasbrander te ontsteken, drukt u de bedieningsknop in en draait u deze linksom naar de hoogste stand terwijl u de knop van de ontsteker indrukt.
- > Als het gas bij de eerste vonk niet ontbrandt, draait u de bedieningsknop terug naar de stand UIT '•' voordat u opnieuw probeert te ontsteken.
- > Als het gas niet in de eerste twee tot drie seconden is ontstoken, moet u de regelklep sluiten door de bedieningsknop weer in de stand UIT te draaien.
- > Wacht ongeveer 30 s om eventueel in de brander opgehoopt gas te laten ontsnappen. Herhaal de bovenstaande procedure indien nodig totdat de vlam ontsteekt. De vlam zou normaal gesproken binnen de eerste één tot twee seconden moeten ontsteken.

Het apparaat aansteken met een barbecueaansteker

- > Wanneer u een koud apparaat aansteekt, kan het apparaat vanaf de bovenkant van de brander worden aangestoken voordat u het gewenste kookoppervlak aanbrengt.
- > Wanneer u een heet apparaat aansteekt, kan het worden aangestoken door een barbecueaansteker door een van de ventilatieopeningen onder de brander te steken totdat het apparaat op één lijn ligt met de brander. Plaats de barbecueaansteker NIET door het grote gat direct onder de brander.
- > Als de barbecueaansteker op de juiste plaats zit, ontsteek de aansteker dan eerst voordat u de bedieningsknop naar binnen drukt en linksom draait om de gasbrander te ontsteken.



INSTRUCTIE

- Als het apparaat is aangestoken, past u de intensiteit van de vlam aan door de bedieningsknop rechtsom te draaien om de vlam te verlagen en linksom om de vlam te verhogen.
- Bij het bereiden van voedsel met een hoog vetgehalte kunnen er steekvlammen optreden als de geselecteerde warmtestand te hoog is. Als dit gebeurt, moet u de vlam verlagen totdat de steekvlam verdwijnt.
- Zorg er na gebruik voor dat de bedieningsknop op uw apparaat in de stand UIT '•' staat en dat de vlam is gedoofd voordat u de gastoevoer verwijdert.

8 GreenGrill kookvlakken

De meeste CADAC | Dometic-kookoppervlakken zijn voorzien van een antiaanbaklaag van GreenGrill, die PFOA-vrij en niet giftig is, om gezonder te koken.

Om het kookoppervlak voor te bereiden

Voorafgaand aan het eerste gebruik wordt aangeraden het kookoppervlak voor te bereiden om te voorkomen dat voedsel blijft plakken.

- > Breng een dunne laag bakolie aan op het gehele kookoppervlak en verwarm het gedurende 2-3 minuten op middelhoog vuur.
- > Laat het kookoppervlak afkoelen voordat u het in warm zeepwater afspoelt.
- > Breng opnieuw een dunne laag olie aan op het kookoppervlak. Het is nu klaar voor gebruik.

Het kookoppervlak reinigen

- > Laat het kookoppervlak altijd volledig afkoelen voordat u het in water onderdompelt.
- > Maak uw kookoppervlak schoon met warm zeepwater en een zachte spons. Vermijd het gebruik van schuurspunten.
- > Om hardnekkige vlekken of resten los te maken, laat u het kookoppervlak enkele minuten weken in warm water voordat u het probeert te wassen.

Onderhoud

- > We raden aan om na het reinigen een kleine hoeveelheid olie op het kookoppervlak aan te brengen voordat u het product opbergt om het oppervlak tegen lucht en vocht te beschermen.
- > De meeste kookoppervlakken worden geleverd met een handige opbergtas. Plaats het geoliede kookoppervlak in een plastic zak voordat u het in de tas opbergt om de tas schoon en vrij van residu te houden.

Kookmethoden

- > Grillen: De BBQ Grill is ideaal voor het vetvrij grillen van kip, vlees, vis of groenten.
- > Bakken: De Flat Grill Plate is perfect voor het bakken van roerbakgerechten, vis, spek, eieren en groenten en voor het maken van pannenkoeken.
- > Koken: U kunt eenvoudig sauzen maken of rijst en pasta bereiden door gebruik te maken van een geschikte pan die in de Pan Support geplaatst is. Vermijd het gebruik van kookgerei met plastic handgrepen, omdat deze tijdens het koken heet kunnen worden en kunnen smelten.

Optionele accessoires

- > Pizza Stone Pro: Ideaal voor het bereiden van pizza's, platbrood enz. Gebruik van de koepel is vereist om een 'oven' te maken voor het bakken.
- > Paella Pan: De Paella Pan is gemaakt van hoogwaardig geperst aluminium voor een gelijkmatige warmteverdeling en is perfect voor het bereiden van paella, risotto, pastagerechten, traditionele ontbijten enz.
- > Coffee Pot Stand: Het perfecte platform voor uw koffiezetapparaat of waterkoker.



INSTRUCTIE

- De GreenGrill-laag geleidt warmte beter dan gewone (PTFE) antiaanbaklagen. Daarom raden wij u aan slechts 75% van de gebruikelijke vermogensinstelling te gebruiken.
- Laat het kookoppervlak nooit zonder een laagje olie op de warmtebron liggen om schade aan het kookoppervlak te voorkomen.
- We raden u aan om te bakken met zonnebloemolie of raapzaadolie vanwege de hoge brandpunten. Het gebruik van olijfolie wordt niet aanbevolen vanwege het lagere brandpunt, waardoor ingrediënten kunnen blijven plakken of aanbranden. Tip: breng vlees of vis op kamertemperatuur voordat u ze bakt om te voorkomen dat het blijft plakken.
- De CADAC | Dometic Soft Soak en Soft Soak Brush (afzonderlijk verkrijgbaar) zijn ideale reinigingsproducten voor GreenGrill-oppervlakken, die helpen bij het inweken en verwijderen van hardnekkige voedselresten.

9 Het toestel reinigen

- > Maak het apparaat na elk gebruik goed schoon om de levensduur te verlengen.
- > Laat het apparaat afkoelen voordat u het reinigt.
- > Om de behuizing van het apparaat te reinigen, veegt u deze naar behoefte af met een vochtige doek en een beetje schoonmaakmiddel.
- > Dompel het apparaat niet onder in water. Dit kan de branderbuis beschadigen, waardoor het apparaat defect kan raken.
- > Houd water uit de buurt van de branders en het gebied van de waakvlam. Droog het apparaat volledig af vóór gebruik.

- > Gebruik geen schuurmiddelen, omdat deze de oppervlakken kunnen beschadigen.
- > Gebruik geen hogedrukmeter of -waterstraal om het apparaat te reinigen.



INSTRUCTIE

Voor hardnekkige vlekken kunt u CADAC-ovenreiniger gebruiken.

10 Opbergen

- > Laat de eenheid afkoelen en reinig deze goed voordat u deze opbergt.
- > Zorg ervoor dat de gastoevoer is uitgeschakeld voordat u deze loskoppelt van het apparaat.
- > Berg een apparaat nooit op terwijl de gastoevoer is aangesloten. Dit is een onveilige procedure.
- > Bewaar het apparaat en de gastoevoer in een goed geventileerd gebied uit de buurt van brandbare materialen. Sla cilinders bij voorkeur buiten op, nooit in een kelder of garage.

11 Onderhoud en probleemoplossing

- > Door regelmatig reinigen en onderhoud wordt de levensduur van uw apparaat verlengd en de kans op problemen verminderd.
- > We raden u aan om het apparaat om de twaalf maanden door een onderhoudsmonteur te laten onderhouden om een efficiënte werking te garanderen.
- > Dit apparaat mag alleen worden onderhouden door een bevoegd persoon.
- > Controleer regelmatig alle aansluitingen op lekkage, en elke keer wanneer de gascilinder wordt bijgevuld of bevestigd.
- > Reinig de branderpoorten in geval van overmatig morsen.

Problemen oplossen

- > We raden u aan de verstuivers om de zes maanden te reinigen of te vervangen voor een efficiënte werking.
- > Als het apparaat na opslag abnormaal werkt en het probleem niet geïsoleerd kan worden tijdens controles, is de verstuiver mogelijk geblokkeerd. Een verstopte verstuiver wordt aangegeven door een zwakkere geelachtige vlam of helemaal geen vlam. Verwijder in dergelijke gevallen de verstuiver en reinig deze grondig om eventuele externe voorwerpen te verwijderen.

- > Verwijder de verstuiver met standaardgereedschap en blaas vuil weg. U kunt ook nieuwe verstuiver kopen bij uw plaatselijke winkel. Probeer de verstuiver niet mechanisch te reinigen.

Een verstopte verstuiver vervangen

Uw apparaat is uitgerust met een verstuiver van specifieke grootte om de juiste hoeveelheid gas te regelen. Als het verstuivergat verstopt is, kan dit leiden tot een zwakke vlam of helemaal geen vlam. Reinig de verstuiver niet met een pin of soortgelijk apparaat, omdat dit de verstuiver kan beschadigen en een veiligheidsrisico voor het apparaat kan opleveren. Ga als volgt te werk om de verstuiver te vervangen:

afb. 7 op pagina 6

1. Verwijder de vetpan.
2. Verwijder de drie schroeven op de plaat van het hiteschild en verwijder het hiteschild.
3. Verwijder de twee schroeven op de brander en verwijder deze. Zorg ervoor dat u de aangesloten ontstekingsdraad niet beschadigt.
4. Gebruik een geschikte steeksleutel om de verstuiver te verwijderen; gebruik geen tang, aangezien dit de verstuiver kan beschadigen. Schroef de nieuwe verstuiver in de klep. Draai deze niet te strak vast om beschadiging te voorkomen.

12 Reserveonderdelen

afb. 8 op pagina 7



INSTRUCTIE Gebruik altijd originele reserveonderdelen. Neem contact op met uw plaatselijke leverancier voor hulp.

13 Garantie

De wettelijke garantieperiode is van toepassing. Als het product defect is, neem dan contact op met uw verkoper of met de vestiging van de fabrikant in uw land. (zie www.cadacinternational.com/support)

Stuur voor de afhandeling van reparaties of garantie de volgende documenten mee:

- Een kopie van de factuur met datum van aankoop
- De reden voor de claim of een beschrijving van de fout

Houd er rekening mee dat eigenmachtige of niet-professionele reparatie gevolgen voor de veiligheid

kan hebben en dat de garantie hierdoor kan komen te vervallen.

14 Technische gegevens

Tabel 7: Technische gegevens

Land van gebruik	BE, CH, CY, CZ, ES, FR, GB, GR, IE, IT, LT, LU, LV, PT, SK, SI		PL	BE, CY, DK, EE, FR, FI, HU, IT, LT, NL, NO, SE, SI, SK, RO, HR, TR, BG, IS, LU, MT, ZA	AT, CH, DE, SK
Apparaatcategorie	I _{3+(28-30/37)}		I _{3B/P (37)}	I _{3B/P (30)}	I _{3B/P (50)}
Toegestane gassen	Butaan	Propana	Butaan, propaan of een mengsel ervan		
Gasdruk	28-30mbar	37mbar	37mbar	28-30mbar	50mbar
Jetnummer	0.68		0.65	0.68	0.61
Nominaal gebruik	145g/uur				
Totale nominale warmteafgifte	2kW		2kW	2kW	2kW

Landnamen en -afkortingen

AT = Oostenrijk	BE = België	BG = Bulgarije	CH = Zwitserland	CY = Cyprus
CZ = Tsjechië	DE = Duitsland	DK = Denemarken	EE = Estland	ES = Spanje
FI = Finland	FR = Frankrijk	GB = Verenigd Koninkrijk	GR = Griekenland	HR = Kroatië
HU = Hongarije	IE = Ierland	IS = IJsland	IT = Italië	LT = Litouwen
LU = Luxemburg	LV = Letland	MT = Malta	NL = Nederland	NO = Noorwegen
PL = Polen	PT = Portugal	RO = Roemenië	SE = Zweden	SI = Slovenië
SK = Slowakije	TR = Turkije			

Dansk

1	Vigtige henvisninger.....	70
2	Forklaring af symboler.....	70
3	Sikkerhedshenvisninger.....	70
4	Gaslækager.....	72
5	Komponentliste.....	72
6	Samling af apparatet.....	73
7	Betjening af apparatet.....	74
8	GreenGrill tilberedningsoverflader.....	74
9	Rengøring af apparatet.....	75
10	Opbevaring.....	75
11	Vedligeholdelse og fejlfinding.....	76
12	Reserve dele.....	76
13	Garanti.....	76
14	Tekniske data.....	77

1 Vigtige henvisninger

Læs og følg alle disse anvisninger, retningslinjer og advarsler i denne produktvejledning grundigt for at sikre, at du altid installerer, bruger og vedligeholder produktet korrekt. Disse anvisninger SKAL opbevares sammen med dette produkt.

Ved at benytte produktet bekræfter du hermed, at du har læst alle anvisninger, retningslinjer og advarsler grundigt, og at du forstår og er indforstået med de vilkår og betingelser, der er fastlagt heri. Du er indforstået med kun at bruge dette produkt til det beregnede formål og anvendelse i overensstemmelse med anvisningerne, retningslinjerne og advarslerne i denne produktvejledning samt i overensstemmelse med alle de gældende love og forskrifter. Manglende læsning og ignorerung af disse anvisninger og advarsler kan medføre kvæstelser på dig selv og andre, skade på dit produkt eller skade på anden ejendom i nærheden. Der tages forbehold for eventuelle ændringer og opdateringer af denne produktvejledning samt anvisningerne, retningslinjerne og advarslerne samt den tilhørende dokumentation. Se documents.dometic.com for de nyeste produktinformationer.

2 Forklaring af symboler

Et signalord vil identificere sikkerhedsmeddelelser og meddelelser om skade på ejendom og vil også angive graden eller niveauet af farens alvor.



FARE!

Angiver en farlig situation, som medfører dødsfald eller alvorlig kvæstelse, såfremt den ikke undgås.



ADVARSEL!

Angiver en farlig situation, som kan medføre dødsfald eller alvorlig kvæstelse, såfremt den ikke undgås.



FORSIGTIG!

Angiver en farlig situation, som kan medføre mindre eller lette kvæstelser, såfremt den ikke undgås.



VIGTIGT!

Angiver en situation, som kan medføre materielle skader, såfremt den ikke undgås.



BEMÆRK Supplerende informationer om betjening af produktet.

3 Sikkerhedshenvisninger

- > Læs disse anvisninger omhyggeligt for at blive fortrolig med apparatet. Alle garantier bortfalder, hvis disse anvisninger ikke følges. Du bedes gemme disse anvisninger til senere brug.

Grundlæggende sikkerhed

- > Manglende overholdelse af disse advarsler kan medføre dødelige eller alvorlige kvæstelser.



ADVARSEL! Fare for kuliiteforgiftning

- > Brug aldrig dette produkt indendørs. Processen, hvor flydende gas brændes, producerer kuliite, som ophobes i lukkede områder.
- > Dette gasapparat forbruger luft (ilt). Sørg for, at apparatet anvendes i et godt ventileret område.
- > Sørg for ekstra ventilation, hvis der tilføjes flere gasapparater til miljøet.
- > Anvend ikke dette produkt i områder, der ikke er ventileret, som f.eks. lukkede rum, telte, fortelte, motorkøretøjer, autocampere, campingvogne, i skibe, yachter, både og lastbilførerhuse.
- > **Anvend kun udendørs.**



ADVARSEL! Eksplosionsfare

- > Apparatet må ikke ændres. Må kun anvendes til den tilsigtede anvendelse.
- > Reparationer på dette produkt må kun foretages af fagfolk. Ved ukorrekte reparationer kan der opstå alvorlige risici.



ADVARSEL! Brandfare

- > Lad ikke dette apparat være uden opsyn, når det er varmt eller er i brug.

- > Opbevar en brandslukker eller andre midler, der er egnede til at slukke en flamme i nødstilfælde.

Sikkerhed under brug

 **fig. 1** på side 2



FARE! Eksplosionsfare

- > Anvend ikke dette apparat, hvis det lækker, er beskadiget eller ikke fungerer korrekt.
- > Anvend ikke apparatet, hvis det har beskadigede eller slidte pakninger.



FORSIGTIG! Forbrændingsfare

- > Tilgængelige dele kan være meget varme. Hold unge børn væk.
- > Anvend beskyttelseshandsker under håndtering af varme komponenter.
- > Bær ikke løst tøj, og lad ikke håret hænge frit ned, mens du tænder eller bruger dette produkt.
- > Hold hænder, ansigt og hår væk fra brænderne.
- > Hold grundigt øje med alle aktiviteter omkring produktet for at undgå forbrændinger eller andre kvæstelser.
- > Brug altid apparatet på et fast, jævnt underlag. Sørg for, at det samlede produkt er stabilt og ikke vipper.
- > Sørg for, at gryderisten/tilberedningsoverfladerne er placeret korrekt, når apparatet bruges.
- > Flyt ikke dette apparat under brug.
- > Hold børn og dyr på sikker afstand.
- > Hvis du er påvirket af alkohol eller receptpligtig medicin eller ikke-receptpligtige stoffer, kan det forringe din evne til at samle eller betjene dette produkt korrekt.
- > Lad dette produkt køle ordentligt af, før du berører det med bare hænder.



FORSIGTIG! Brandfare

- > Dette apparat skal holdes væk fra brændbare materialer under brug. Minimumsafstande for sikker afstand er: 120 cm over apparatet og 60 cm bag og i siderne.

- > Anbring ikke andre genstande end gryder og pander på eller mod dette apparat.
- > Når du bruger en gryde eller pande til at lave mad i, må du kun bruge den anbefalede grydestørrelse med en diameter på 150 mm til 300 mm.
- > Anbring ikke kemikalier, brændbare materialer eller sprayaerosoler i nærheden af dette apparat.
- > Luk straks gasforsyningen i tilfælde af brand.

Sikkerhedsforanstaltninger for gas og slanger

- > Brug kun dette apparat med en godkendt slange og regulator.



FARE! Eksplosionsfare

- > Brug kun dette apparat med en godkendt slange og regulator.
- > Regulatoren må ikke ændres eller modificeres på nogen måde.
- > Brug ikke apparatet, hvis slangen er beskadiget eller slidt. Kontroller slangen for skader før hver brug og før tilslutning til gasforsyningen.
- > Der leveres gas til apparatet via en slange og regulator, der er sluttet til en gasflaske på højst 9 kg og i overensstemmelse med gældende lokal lovgivning eller til en CADAC Dometic Power Pak, som er en enhed, der bruger to eller flere gaspatroner. Det kan være farligt at prøve at montere andre typer gasflasker eller gaspatroner.
- > Må kun anvendes med en gasflaske, der ikke overstiger 500 mm i højden (regulatorens ikke medregnet) og 350 mm i bredden.
- > Tilslut gasforsyningen i et godt ventileret område, helst udendørs, væk fra antændelseskilder som åben ild og brand og væk fra andre personer.
- > Hold gasforsyningen væk fra varme og ild. Må ikke anbringes på et komfur eller andre varme overflader.
- > Når slangen fastgøres til apparatet, skal slangen rettes væk fra apparatet. Slangen må ikke vrides eller klemmes.
- > Under brug skal gasforsyningen holdes lodret for at sikre korrekt tømning af brændstof. I modsat fald kan der ske

væskeudslip, hvilket kan føre til farlige driftsforhold.

- > Fjern ikke gasforsyningen, mens apparatet er i brug.
- > Gasforsyningen skal kobles fra apparatet efter brug eller under opbevaring.

4 Gaslækager

Gaslækager fra beskadigede slanger eller forkerte tilslutninger kan skabe farlige forhold og skal straks afhjælpes. Det er vigtigt, at alle gastilslutninger er korrekt monteret for at forhindre gaslækage.



FARE! Eksplosionsfare

- > Hvis du kan lugte gas, skal du straks slukke for gassen ved gasflaskeventilen og på apparatet ved at dreje betjeningsknappen med uret til positionen "OFF".
- > Sluk alle åbne flammer
- > Flyt apparatet til et sted uden flammer, og udfør en gaslækagetest. Denne test skal udføres udenfor i et godt ventileret område væk fra åben ild og antændelseskilder.
- > Brug aldrig en åben flamme til at kontrollere for gaslækager. Brug sæbevand.

Sådan udføres en gaslækagetest

Der skal udføres en gaslækagetest, hver gang der monteres en slange og regulator på apparatet og gasforsyningen, og hver gang gasforsyningen udskiftes.



FARE! Manglende registrering og håndtering af en gaslækage kan medføre personskade eller dødsfald.

- > Udfør en gaslækagetest ved at påføre sæbevand på alle tilslutningspunkter langs gasslangen, dvs. tilslutningen mellem gasslangen og apparatet og tilslutningen mellem regulatoren og gasforsyningen.
- > Åbn langsomt gasflaskeventilen for at åbne for gasflowet.
- > Hvis der dannes bobler på et tilslutningspunkt, er der en gaslækage.
- > Sluk straks for gassen, og afbryd gasforsyningen til apparatet. Kontroller, at alle pakninger er på plads og i god stand. Udskift eventuelle pakninger, der viser tegn på skader.

- > Slut gasforsyningen til apparatet igen, og udfør gaslækagetesten igen.
- > Hvis der stadig er en gaslækage, skal produktet returneres til din autoriserede forhandler for afhjælpning.

Flammestabilitet

Sørg for, at der er flammestabilitet, når apparatet bruges.



ADVARSEL! Ukontrolleret tilbageslag (flammen brænder inde i brænderen eller dysehuset) kan medføre farlige driftsforhold.

- > I tilfælde af tilbageslag skal du straks slukke for gasforsyningen ved først at lukke gasflaskeventilen og derefter dreje betjeningsknappen til "OFF". Når flammen er slukket, skal du afmontere regulatoren og kontrollere pakningens tilstand. Udskift den, hvis det er nødvendigt.
- > Tilslut gasforsyningen igen, og tænd for apparatet igen.
- > Ved flammens gentagne tilbageslag skal produktet returneres til din autoriserede forhandler for en vurdering.

5 Komponentliste

 fig. 2 på side 3

Komponent	Beskrivelse
①	Domed lid / Pot
②	Barbecue griddle
③	Flat griddle
④	Pan support
⑤	Drip pan
⑥	Burner
⑦	Control knob
⑧	Igniter
⑨	Quick release connection
⑩	Flat lid
⑪	BBQ 2 Plancha 30
⑫	Paella Pan 30

Modelkomponenter

Modelkombinationerne for serien er som følger:

	6545-10	6545-20	6545-25
1	X	X	X
2	X	X	X
3	X		X
4	X	X	X
5	X	X	X
6	X	X	X
7	X	X	X
8	X	X	X
9			X
10			X
11			
12			

6 Samling af apparatet

 **fig. 3** på side 4



ADVARSEL! Grundlæggende sikkerhed

Benene er fjederbelastede. Åbning og lukning af benene skal udføres på en kontrolleret måde for at undgå personskade eller beskadigelse af apparatet.

Sådan åbnes benene

- > Fjern alle løse dele fra apparatet. Vend enheden på hovedet, og løft hvert ben individuelt. Du vil høre et "klik", når benet er placeret korrekt.

Sådan foldes benene tilbage

- > Hold godt fast i benet, og skub benets oplåsningsklemme ned (M). Skub benene indad til lukket position. Dette skal gøres efter hinanden for at optimere pakkepladsen. Start med det forreste venstre ben (1), derefter det forreste højre ben (2) og til sidst det bageste ben (3).

Tilslutning af gasforsyningen

 **fig. 4** på side 4

	A	B	C
DA	Regulator	Pakning	Styreventil

- > Før apparatet sluttes til en gasforsyning, skal du sørge for, at gummipakningen på regulatoren er på plads og i god stand.
- > Før der sluttes en godkendt slange og regulator til apparatet, skal det kontrolleres, at betjeningsknappen på apparatet står i positionen OFF "•".
- > Blæs eventuelt støv ud af gasforsyningsåbningen for at forhindre eventuel blokering af injektoren.
- > Sørg for, at gasforsyningen er monteret på et godt ventileret sted væk fra antændelseskilder som f.eks. åben ild og væk fra andre personer.
- > Ryg ikke under tilslutning eller udskiftning af gasforsyningen.
- > Sørg for, at gasflasken altid holdes oprejst. Slut regulatoren til gasflasken, og stram den med hånden for at fastgøre tilslutningen.

Tilslutning af slangen til apparatet

 **fig. 5** på side 5

- > Slut slangen til apparatet. Spænd for at fastgøre tilslutningen. Slangen må ikke vrides eller klemmes. Sørg for, at den er ført væk fra gasapparatet for at forhindre forringelse/beskadigelse af slangen på grund af varme.
- > Sørg for, at gæstætningen er fuldstændig ved at udføre en gaslækagetest som beskrevet i kapitlet Gaslækager. Hvis en gaslækage ikke kan afhjælpes, må apparatet ikke bruges. Hvis du er i tvivl, skal du kontakte din nærmeste forhandler.
- > Udfør alle disse sikkerhedskontroller, hver gang du slutter apparatet til en gasforsyning.

Frakobling og udskiftning af gasforsyningen

- > Efter brug skal apparatets betjeningsknap drejes til positionen OFF "•", og der skal lukkes for gasforsyningen.
- > Når den tomme flaske skal udskiftes, skal du sørge for, at gasventilen er lukket på gasflasken.
- > Afmonter regulatoren fra den tomme flaske, og fastgør den til en fuld flaske. Se anvisningerne ovenfor vedrørende tilslutning af gasforsyningen.
- > Anvend samme pleje- og kontrolprocedurer som ved montering af en ny gasflaske.

Sådan kontrollerer du, om gasflasken er tom

- > En gasflaskes tomvægt er normalt stemplet på dens hals eller bundring. Vejning af flasken viser det aktuelle gasniveau. Hvis vægten svarer til den stemplede vægt, er flasken tom. Forskellen mellem den aktuelle vægt og den stemplede vægt angiver den resterende gas.

7 Betjening af apparatet

- > Før apparatet tages i brug første gang, skal det sikres, at al beskyttende emballage og plastik er fjernet fra apparatet.
- > Sørg for, at alle dele er i god stand ved hver brug. Udfør en gaslækagetest som beskrevet i kapitlet Gaslækager, hver gang gasforsyningen tilsluttes eller udskiftes.
- > Efter længere tids opbevaring skal apparatet efterses for eventuelle insekter, snavs og edderkoppespind, som kan påvirke gasflowet.
- > Brug kun dette apparat på en fast, plan overflade.
- > Apparatet må ikke flyttes, når det er i brug. Dette er ikke sikkert og kan forårsage opblussen.
- > Fjern eventuelle tilberedningsoverflader, når apparatet tændes.
- > Brug kun kogegrej med en diameter på 150 mm til 300 mm.

Tænding af apparatet ved hjælp af tænderen

fig. 6 på side 5

- > For at tænde gasbrænderen skal du trykke betjeningsknappen ind og dreje den mod uret til den højeste indstilling, mens du trykker på tændknappen.
- > Hvis gassen ikke antændes ved den første gnist, skal du dreje betjeningsknappen tilbage til positionen "OFF" •, før du forsøger at dreje tændingen igen.
- > Hvis gassen ikke har antændt i de første to til tre sekunder, skal du lukke styreventilen ved at dreje betjeningsknappen tilbage til positionen OFF "•".
- > Vent ca. 30 s for at lade evt. akkumuleret gas i brænderen slippe ud. Gentag om nødvendigt ovenstående proces, indtil flammen antændes. Flammen skal normalt tænde inden for de første 1-2 sekunder.

Tænding af apparatet ved hjælp af en grillighter

- > Når et koldt apparat tændes, kan apparatet tændes fra toppen af brænderen, før den ønskede tilberedningsoverflade sættes på.

- > Når et varmt apparat tændes, kan apparatet tændes ved at stikke en grilltænder gennem et af ventilationshullerne under brænderen, indtil den flugter med brænderen. Sæt IKKE grillighteren gennem det store hul direkte under brænderen.
- > Når grillighteren er på plads, skal du først tænde for lighteren, før du skubber betjeningsknappen ind og drejer den mod uret for at tænde gasbrænderen.



BEMÆRK

- Når apparatet er tændt, skal flammeintensiteten justeres ved at dreje betjeningsknappen med uret for at reducere flammen og mod uret for at øge flammen.
- Ved tilberedning af mad med et højt fedtindhold kan der opstå opblusning, hvis den valgte varmeindstilling er for høj. Hvis dette sker, skal du skrue ned for varmen, indtil opblusningen ophører.
- Efter brug skal du sørge for, at betjeningsknappen på apparatet står i positionen OFF "•", og at flammen er slukket, før du fjerner gasforsyningen.

8 GreenGrill tilberedningsoverflader

De fleste tilberedningsoverflader på CADAC | Dometic har GreenGrill non-stick keramisk belægning, som er PFOA-fri og ugiftig og giver sundere madlavning.

Sådan klargøres tilberedningsoverfladen

Før første brug anbefales det, at tilberedningsoverfladen klargøres for at undgå, at maden sætter sig fast.

- > Påfør et tyndt lag madlavningsolie på hele tilberedningsoverfladen, og opvarm den ved middel varme i 2-3 minutter.
- > Lad tilberedningsoverfladen køle af, før du vasker den i varmt sæbevand.
- > Påfør et tyndt lag olie på tilberedningsoverfladen igen. Den er nu klar til brug.

Rengøring af tilberedningsoverfladen

- > Lad altid tilberedningsoverfladerne køle helt af, inden de nedsænkes i vand.
- > Rengør tilberedningsoverfladen med varmt sæbevand og en blød svamp. Undgå brug af skuresvampe.
- > Genstridige pletter eller rester løsnes ved at lægge tilberedningsoverfladen i blød i varmt et par minutter, inden den vaskes.

Vedligeholdelse

- > Efter rengøring anbefaler vi, at der spredes en lille mængde olie på tilberedningsoverfladen, inden den sættes væk, for at beskytte overfladen mod luft og fugt.
- > De fleste tilberedningsoverflader leveres med en praktisk opbevaringstaske. Læg den olierede tilberedningsoverflade i en plastikpose, inden den opbevares i posen, så posen holdes ren og fri for eventuelle rester.

Tilberedningsmetoder

- > Grill: BBQ Grill er ideel til fedtfri grillning af kylling, kød, fisk og grøntsager.
- > Stegning på panden: Den flade grillplade er perfekt til tilberedning af stir fry, fisk, bacon, æg, grøntsager og pandekager.
- > Kogning: Det er nemt at lave saucer, ris og pasta med en egnet gryde eller pande på gryderisten. Undgå at bruge kogegrej med plasthåndtag, da de kan blive varme under tilberedningen og kan smelte.

Supplerende tilbehør

- > Pizza Stone Pro: Ideel til at tilberede pizzaer, fladbrød osv. Kuplen skal bruges for at skabe en "ovn" til bagning.
- > Paella-pande: Paella-panden er fremstillet af presset aluminium i høj kvalitet for jævn varmefordeling og er perfekt til tilberedning af paella, risotto, pastaretter, traditionel morgenmad osv.
- > Stativ til kaffekande: Giver den perfekte bryggeplatform til din kaffepokolator eller -kedel.



BEMÆRK

- GreenGrill-belægningen leder varmen bedre end almindelige (PTFE) non-stick-belægninger. Derfor anbefaler vi kun at bruge 75 % af den normale effektindstilling.
- For at undgå beskadigelse af tilberedningsoverfladen må den aldrig efterlades på varmekilden uden en belægning af olie.
- Vi anbefaler, at du steger med solsikke- eller rapsolie på grund af deres høje brændpunkter. Det anbefales ikke at bruge olivenolie på grund af det lave brændpunkt, som kan få ingredienserne til at sidde fast eller brænde. Tip: Få kød eller fisk op på stuetemperatur før stegning for at undgå, at de sætter sig fast.
- CADAC | Dometic Soft Soak og Soft Soak Brush (sælges separat) er ideelle rengøringsprodukter til GreenGrill tilberedningsoverflader, hjælper med iblødsætningen og fjerner genstridige madrester.

9 Rengøring af apparatet

- > For at forlænge apparatets levetid skal det rengøres grundigt efter hver brug.
- > Lad apparatet køle af, før du rengør det.
- > Apparatet rengøres ved blot at tørre det af med en fugtig klud og bruge lidt rengøringsmiddel efter behov.
- > Apparatet må ikke nedsænkes i vand, da dette kan beskadige brænderrøret og forårsage funktionsfejl i apparatet.
- > Hold vand væk fra brænderne og tændflammeområdet. Tør apparatet helt før brug.
- > Anvend ikke slibende rengøringsmidler, da det vil ridse overfladen.
- > Brug ikke en højtryksdamper eller en vandstråle til at rengøre apparatet.



BEMÆRK

Til genstridige pletter kan der anvendes CADAC-ovrens.

10 Opbevaring

- > Lad enheden køle af, og rengør den grundigt, før den stilles til opbevaring.

- > Sørg for, at der er slukket for gasforsyningen, inden den kobles fra apparatet.
- > Opbevar aldrig et apparat med tilsluttet gasforsyning. Dette er farligt.
- > Opbevar apparat og gasforsyning i et godt ventileret område væk fra brændbare materialer. Opbevar helst flasker udendørs, aldrig i en kælder eller garage.

11 Vedligeholdelse og fejlfinding

- > Regelmæssig rengøring og vedligeholdelse forlænger apparatets levetid og reducerer risikoen for problemer.
- > Vi anbefaler, at en servicerepræsentant udfører service på apparatet hver 12. måned for at sikre effektiv drift.
- > Service på dette apparat må alene udføres af en autoriseret person.
- > Kontroller regelmæssigt alle tilslutninger for lækager og hver gang gasflasken genopfyldes eller fastgøres.
- > Rengør brænderens porte i tilfælde af overløb.

Udbedring af fejl

- > Vi anbefaler rengøring eller udskiftning af injektorerne hver sjette måned for at opretholde effektiv drift.
- > Hvis apparatet fungerer unormalt efter opbevaring, og kontroller ikke indkredser problemet, kan injektoren være blokeret. En blokeret injektor angives af en svagere gullig flamme eller slet ingen flamme. I sådanne tilfælde skal injektoren afmonteres og grundigt rengøres for at fjerne eventuelle fremmedlegemer.
- > Afmonter injektoren vha. standardværktøjer, og blæs eventuel snavs ud. Du kan også købe nye injektorer i den lokale butik. Forsøg ikke at rengøre injektoren mekanisk.

Udskiftning af en blokeret injektor

Apparatet er udstyret med en injektor i en bestemt størrelse for at regulere den korrekte mængde gas. Hvis injektorhullet er blokeret, kan det forårsage en svag flamme eller slet ingen flamme. Undgå at rengøre injektoren med en stift eller lignende, da det kan beskadige injektoren og udgøre en sikkerhedsrisiko for apparatet. Gør følgende for at udskifte injektoren:

fig. 7 på side 6

1. Fjern fedtopsamlingsbeholderen.
2. Afmonter de tre skruer på varmeskjoldets plade, og afmonter varmeskjoldet.

3. Fjern de to skruer på brænderenheden, og afmonter den, idet du sørger for ikke at beskadige den tilsluttede tændledning.
4. Brug en passende skruenøgle til at afmontere injektoren. Undgå at bruge en tang, da dette kan beskadige injektoren. Skru den nye injektor ind i ventilen, og pas på ikke at overspænde den for at undgå skader.

12 Reservedele

fig. 8 på side 7



BEMÆRK Brug altid originale reservedele. Kontakt din lokale leverandør for at få hjælp.

13 Garanti

Den lovbestemte garantiperiode gælder. Hvis produktet er defekt, skal du kontakte din forhandler eller producentens afdeling i dit land. (se www.cadacinternational.com/support)

Ved reparation eller krav om garanti skal du medsende følgende bilag:

- en kopi af regningen med købsdato
- en reklameringsgrund eller en fejlbeskrivelse.

Vær opmærksom på, at egne eller uprofessionelle reparationer kan få sikkerhedsmæssige konsekvenser og kan gøre garantien ugyldig.

14 Tekniske data

Tabel 8: Tekniske data

Land for brug	BE, CH, CY, CZ, ES, FR, GB, GR, IE, IT, LT, LU, LV, PT, SK, SI		PL	BE, CY, DK, EE, FR, FI, HU, IT, LT, NL, NO, SE, SI, SK, RO, HR, TR, BG, IS, LU, MT, ZA	AT, CH, DE, SK
Apparatkategori	I _{3+(28-30/37)}		I _{3B/P (37)}	I _{3B/P (30)}	I _{3B/P (50)}
Tilladte gasser	Butan	Propan	Butan, propan eller en blanding af disse		
Gastryk	28-30mbar	37mbar	37mbar	28-30mbar	50mbar
Dysenummer	0.68		0.65	0.68	0.61
Nominel brug	145g/t				
Nominel bruttovarmeef-fekt	2kW		2kW	2kW	2kW

Landenavne og forkortelser

AT = Østrig	BE = Belgien	BG = Bulgarien	CH = Schweiz	CY = Cypern
CZ = Tjekkiet	DE = Tyskland	DK = Danmark	EE = Estland	ES = Spanien
FI = Finland	FR = Frankrig	GB = Storbritannien	GR = Grækenland	HR = Kroatien
HU = Ungarn	IE = Irland	IS = Island	IT = Italien	LT = Litauen
LU = Luxembourg	LV = Letland	MT = Malta	NL = Holland	NO = Norge
PL = Polen	PT = Portugal	RO = Rumænien	SE = Sverige	SL = Slovenien
SK = Slovakiet	TR = Tyrkiet			

Svenska

1	Observera.....	78
2	Förklaring av symboler.....	78
3	Säkerhetsanvisningar.....	78
4	Gasläckor.....	80
5	Komponentlista.....	80
6	Montera apparaten.....	81
7	Använda apparaten.....	81
8	GreenGrill-matlagningssytor.....	82
9	Rengöra apparaten.....	83
10	Förvaring.....	83
11	Underhåll och felsökning.....	83
12	Reservdelar.....	84
13	Garanti.....	84
14	Tekniska data.....	85

1 Observera

Läs och följ noggrant alla instruktioner, direktiv och varningar i den här produkthandboken för att säkerställa att du alltid installerar, använder och underhåller produkten på rätt sätt. Dessa instruktioner MÅSTE förvaras tillsammans med produkten.

Genom att använda produkten bekräftar du härmed att du noggrant har läst alla instruktioner, direktiv och varningar och att du förstår och är införstådd med att följa de villkor som anges här. Du är införstådd med att endast använda denna produkt i avsett syfte och i enlighet med instruktionerna, direktiven och varningarna som anges i denna produkthandbok samt i enlighet med alla gällande lagar och bestämmelser. Om du inte läser och följer instruktionerna och varningarna som anges här kan det leda till personskador på dig eller andra, på produkten eller annan egendom i närheten. Denna produkthandbok, inklusive instruktionerna, direktiven och varningarna samt relaterad information, kan ändras och uppdateras. Aktuell produktinformation finns på documents.dometic.com.

2 Förklaring av symboler

Ett signalord identifierar säkerhetsmeddelanden och meddelanden om egendomsskada och indikerar även farans allvarlighetsgrad.



FARA!

Anger en farlig situation som, om den inte kan undvikas, leder till döden eller allvarlig personskada.



WARNING!

Anger en farlig situation som, om den inte kan undvikas, kan leda till döden eller allvarlig personskada.



AKTA!

Anger en farlig situation som, om den inte kan undvikas, leder lindrig eller måttlig personskada.



OBSERVERA!

Anger en situation som, om den inte kan undvikas, kan leda till materiell skada.



ANVISNING Kompletterande information om användning av produkten.

3 Säkerhetsanvisningar

- > Läs de här instruktionerna noggrant för att bekanta dig med apparaten. Alla garantier upphör att gälla om du inte följer dessa instruktioner. Spara dessa anvisningar för framtida bruk.

Allmänna säkerhetsanvisningar

- > Om man underlåter att följa de här varningarna kan följden bli dödsfall eller allvarlig personskada.



WARNING! Kolmonoxidrisk

- > Använd aldrig produkten inomhus. Vid förbränning av flytande gas bildas kolmonoxid som samlas i slutna utrymmen.
- > Den här gasapparaten förbrukar luft (syre). Se till att apparaten används i ett välventilerat utrymme.
- > Ge extra ventilation om fler gasapparater läggs till i miljön.
- > Använd inte produkten i ej ventilerade utrymmen som slutna rum, tält, förtält, motorfordon, husbilar, husvagnar eller inuti fartyg, nöjesbåtar, fritidsbåtar eller lastbilshytter.
- > **Använd endast apparaten utomhus.**



WARNING! Explosionsrisk

- > Gör inga ändringar på apparaten. Använd endast på avsett sätt.
- > Reparationer på produkten får utföras endast av behörig personal. Icke-fackmässiga reparationer kan medföra allvarliga risker.



WARNING! Brandrisk

- > Lämna inte apparaten utan uppsikt när den är het eller används.
- > Ha en brandsläckare eller annat lämpligt medel för att släcka en låga i händelse av en nödsituation.

Säkerhet vid användning

 bild. 1 sida 2



FARA! Explosionsrisk

- > Använd inte apparaten om den läcker, är skadad eller inte fungerar på rätt sätt.
- > Använd inte apparaten om den har skadade eller slitna packningar.



AKTA! Risk för brännskada

- > Åtkomliga delar kan vara mycket heta. Håll små barn på avstånd.
- > Använd skyddshandskar vid hantering av heta delar.
- > Använd inte löst åtsittande plagg och låt inte långt hår hänga fritt när du tänder eller använder produkten.
- > Håll händer, ansikte och hår borta från brännare.
- > Håll noggrann uppsikt över all aktivitet kring produkten för att undvika brännskador eller andra personsador.
- > Använd alltid apparaten på ett fast och jämnt underlag. Se till att den monterade produkten är stabil och inte gungar.
- > Se till att grytstödet/matlagningssytorna är korrekt placerade när du använder apparaten.
- > Flytta inte på apparaten medan den används.
- > Håll barn och husdjur på säkert avstånd från produkten.
- > Intag av alkohol eller receptbelagda och receptfria mediciner kan försämra din förmåga att rätt montera och säkert använda produkten.
- > Låt produkten svalna ordentligt innan du rör vid den med bara händerna.



AKTA! Brandrisk

- > Håll brännbara material borta från apparaten när den används. Minsta säkerhetsavstånd är: 120 cm ovanför apparaten och 60 cm bakom och på sidorna.
- > Ställ inte några andra föremål än kastruller och pannor på eller mot denna apparat.
- > När du använder en kastrull eller gryta för att laga mat i ska du bara använda

den rekommenderade grytstorleken på 150 mm 300 mm i diameter.

- > Ställ inga kemikalier, brännbara material eller aerosolsprayer nära apparaten.
- > Stäng omedelbart av gastillförseln om brand uppstår.

Säkerhetsåtgärder för gas och slang

- > Använd endast apparaten med en godkänd slang och regulator.



FARA! Explosionsrisk

- > Använd endast apparaten med en godkänd slang och regulator.
- > Ändra eller modifiera inte regulatorn på något sätt.
- > Använd inte apparaten om slangen är skadad eller sliten. Kontrollera att slangen inte är skadad före varje användning och innan du ansluter den till gaskällan.
- > Gas tillförs apparaten via en slang och regulator, som är ansluten till en gascylinder som inte överstiger 9 kg och som uppfyller gällande lokala föreskrifter, eller till en CADAC Dometic Power Pak, som är en enhet som tar två eller flera gaspatroner. Det kan vara farligt att försöka montera andra typer av gasflaskor eller gaspatroner.
- > Får endast användas med en gasflaska som inte är högre än 500 mm (exklusive regulatorn) och 350 mm bred.
- > Anslut gasförsörjningen i ett väl ventilerat utrymme, helst utomhus, på avstånd från användningskällor som öppna lågor och brasor och på avstånd från andra personer.
- > Håll gaskällan borta från värme och låga. Placera den inte på en spis eller andra varma ytor.
- > När du ansluter slangen till apparaten riktar du slangen bort från apparatens hölje. Vrid eller kläm inte slangen.
- > Under användning ska gaskällan hållas i upprätt läge för att säkerställa korrekt bränsleavtapning. Om detta inte görs kan det leda till vätskeutsläpp, vilket kan leda till farliga driftförhållanden.
- > Ta inte bort gaskällan medan apparaten används.
- > Gaskällan måste kopplas bort från apparaten efter användning eller vid förvaring.

4 Gasläckor

Gasläckor från skadade slangar eller felaktiga anslutningar kan skapa farliga förhållanden och måste åtgärdas omedelbart. Det är viktigt att alla gasanslutningar har monterats korrekt för att förhindra gasläckor.



FARA! Explosionsrisk

- > Om du känner gaslukt ska du omedelbart stänga av gasen vid gasflaskans ventil och på apparaten genom att vrida kontrollvredet medurs till AVSTÄNGT läge.
- > Släck all öppen eld
- > Flytta apparaten till en flamfri plats och utför ett gasläckagetest. Detta test ska utföras utomhus i ett välventilerat utrymme på avstånd från öppen eld eller användningskällor.
- > Använd aldrig öppen låga för att leta efter gasläckage, använd såpvatten.

Så här utför du ett gasläckagetest

Ett gasläckagetest måste utföras varje gång en slang och en regulator monteras på apparaten och gastillförseln, och varje gång gastillförseln byts ut.



FARA! Om inte en gasläcka identifieras och kontrolleras kan det leda till personskador eller dödsfall.

- > För att utföra ett gasläckagetest applicerar du såpvatten på alla anslutningspunkter längs gasslangen, dvs. till anslutningen mellan gasslangen och apparaten, och till anslutningen mellan regulatorn och gasförsörjningen.
- > Öppna långsamt gasflaskans ventil för att tillåta gasflöde.
- > Om det bildas bubblor på en konvektionspunkt finns det en gasläcka.
- > Stäng omedelbart av gasen och koppla bort gastillförseln från apparaten. Kontrollera att alla packningar sitter på plats och är i gott skick. Byt ut packningar som visar tecken på skador.
- > Återanslut gastillförseln till apparaten och utför gasläckagetestet igen.
- > Om gasläckaget kvarstår ska produkten returneras till en auktoriserad serviceverkstad för hjälp.

Flamstabilitet

Kontrollera brandstabiliteten vid användning av apparaten.



VARNING! Okontrollerad uppflamning (låga som brinner inuti brännaren eller munstyckshuset) kan leda till farliga användningsförhållanden.

- > Om det flammar upp ska du omedelbart stänga av gastillförseln genom att först stänga av ventilen på gasflaskan och därefter vrida apparatens reglageratt till "OFF". När lågan har släckts tar du bort regulatorn och kontrollerar packningens skick. Byt ut den vid behov.
- > Återanslut gastillförseln och tänd apparaten igen.
- > Om lågan hela tiden tänds igen ska produkten returneras till en auktoriserad serviceverkstad för utvärdering.

5 Komponentlista

 bild. 2 sida 3

Komponent	Beskrivning
①	Domed lid / Pot
②	Barbecue griddle
③	Flat griddle
④	Pan support
⑤	Drip pan
⑥	Burner
⑦	Control knob
⑧	Igniter
⑨	Quick release connection
⑩	Flat lid
⑪	BBQ 2 Plancha 30
⑫	Paella Pan 30

Modellkomponenter

Modellkombinationer för intervallet är följande:

	6545-10	6545-20	6545-25
1	X	X	X
2	X	X	X

	6545-10	6545-20	6545-25
3	X		X
4	X	X	X
5	X	X	X
6	X	X	X
7	X	X	X
8	X	X	X
9			X
10			X
11			
12			

6 Montera apparaten

 bild. 3 sida 4



VARNING! Allmänna säkerhetsanvisningar

Benen är fjäderbelastade. Öppning och stängning av benen måste göras på ett kontrollerat sätt för att undvika personsador eller skador på apparaten.

Öppna benen

- > Ta bort alla lösa delar från apparaten. Vänd enheten upp och ned och lyft varje ben individuellt. Ett klick hörs när benet är korrekt placerat.

Fälla ihop benen

- > Håll fast benet ordentligt och tryck ned benfrigöringsklämman (M). Tryck benen inåt till stängt läge. Detta måste göras sekventiellt för att optimera packutrymmet, med början från det främre vänstra benet (1), följt av det främre högra benet (2) och slutligen det bakre benet (3).

Anslutning av gaskällan

 bild. 4 sida 4

	A	B	C
SV	Regulator	Tätning	Reglerventil

- > Innan du ansluter apparaten till en gaskälla ska du se till att gummipackningen på regulatorn är på plats och i gott skick.
- > Innan du ansluter en godkänd slang och regulator till apparaten ska du kontrollera att apparatens reglageratt är i läget OFF "•".

- > Blås bort eventuellt damm från gastillförselöppningen för att förhindra att insprutaren blockeras.
- > Se till att gastillförseln monteras på en välventilerad plats på avstånd från antändningskällor, som öppna lågor och på avstånd från andra personer.
- > Rök inte när du ansluter eller byter gastillförsel.
- > Se till att gasflaskan alltid hålls upprätt. Anslut regulatorn till gasflaskan och dra åt för hand för att säkra anslutningen.

Ansluta slangen till apparaten

 bild. 5 sida 5

- > Anslut slangen till apparaten. Dra åt för att säkra anslutningen. Vrid eller kläm inte slangen. Se till att den är dragen bort från gasapparathuset så att slangen inte försämras/skadas av värme.
- > Kontrollera att en fullständig gastätning har utförts genom att utföra ett gasläckagetest enligt beskrivningen i Gasläckor-kapitlet. Om du inte kan åtgärda ett gasläckage ska du inte använda apparaten. Om du är osäker kontaktar du närmaste återförsäljare.
- > Utför alla dessa säkerhetskontroller varje gång du ansluter apparaten till en gaskälla.

Koppla bort och byta gaskälla

- > Efter användning vrider du apparatens kontrollratt till läget OFF "•" och stänger gastillförseln.
- > När du behöver byta ut den tomma flaskan ser du till att gasventilen är stängd på gasflaskan.
- > Ta bort regulatorn från den tomma flaskan och anslut den till en full flaska. Se anvisningarna ovan för anslutning av gastillförseln.
- > Tillämpa samma skötsel- och kontrollprocedurer som vid montering av en ny gasflaska.

Så här kontrollerar du om gasflaskan är tom

- > En gasflaskas tomvikt är vanligen stämplad på halsen eller fotringen. Vid vägning av flaskan visas den aktuella gasnivån. Om vikten överensstämmer med den stämplade vikten är flaskan tom. Skillnaden mellan den aktuella vikten och den stämplade vikten anger den återstående gasen.

7 Använda apparaten

- > Innan du använder apparaten för första gången ska du se till att all skyddsförpackning och plast tas bort från apparaten.

- > Vid varje användning ska du se till att alla delar är i gott skick. Utför ett gasläckagetest enligt beskrivningen i kapitlet Gasläckor varje gång gastillförseln ansluts eller byts ut.
- > Efter längre tids förvaring ska du inspektera apparaten för att se om det finns insekter, skräp eller spindelväv som kan påverka gasflödet.
- > Använd endast apparaten på ett fast och plant underlag.
- > Flytta inte apparaten medan den används. Det är inte ett säkert förfaringssätt och kan orsaka gnistor.
- > Ta bort alla matlagningssytor när apparaten tänds.
- > Använd endast kokkärl med en diameter på 150 mm till 300 mm.

Tänd apparaten med tändaren

bild. 6 sida 5

- > Tänd gasbrännaren genom att trycka in och vrida reglageratten moturs till dess högsta inställning samtidigt som du trycker in tändningsknappen.
- > Om gasen inte tänds på första gnistan, vrid tillbaka reglageratten till läget OFF "•" innan du försöker tända igen.
- > Om gasen inte har antänts under de första två till tre sekunderna ska du stänga reglerventilen genom att vrida tillbaka kontrollvredet till läget OFF "•".
- > Vänta cirka 30 s för att låta ansamlad gas i brännaren strömma ut. Upprepa vid behov ovanstående process tills lågan tänds. Lågan ska normalt tändas inom en till två sekunder.

Tända apparaten med en grilltändare

- > När du tänder en kall apparat kan apparaten tändas från ovasidan av brännaren innan önskad matlagningssyta monteras.
- > När du tänder en varm apparat kan apparaten tändas genom att sticka in en grilltändare genom ett av ventilationshålen under brännaren tills den är i linje med brännaren. Placera INTE grilltändaren genom det stora hålet direkt under brännaren.
- > När grilltändaren är på plats tänder du tändaren först innan du trycker in och vrider reglageratten moturs för att tända gasbrännaren.



ANVISNING

- När apparaten är tänd justerar du lågans intensitet genom att vrida reglageratten medurs för att minska lågan och moturs för att öka lågan.
- När du lagar mat med högt fetthinnehåll kan det flamma upp om den valda värmeinställningen är för hög. Om detta inträffar vrider du ned värmen tills uppflamningen upphör.
- Efter användning ska du se till att kontrollvredet på apparaten är i läget OFF "•" och att lågan är släckt innan du tar bort gastillförseln.

8 GreenGrill-matlagningssytor

De flesta matlagningssytor på CADAC | Dometic har GreenGrill-beläggning av non-stick-keramik som är PFOA-fri och giftfri, vilket ger hälsosammare matlagning.

Förbereda matlagningssytan

Före första användningen rekommenderar vi att du förbereder matlagningssytan för att förhindra att mat fastnar.

- > Applicera ett tunt lager matlagningssolja över hela matlagningssytan och värm den över medelhög värme i 2 – 3 minuter.
- > Låt matlagningssytan svalna innan du tvättar den i varmt såpvatten.
- > Applicera ett tunt lager olja på matlagningssytan igen. Den är nu klar att användas.

Rengöra matlagningssytan

- > Låt alltid matlagningssytor svalna helt innan de sänks ned i vatten.
- > Rengör matlagningssytan med varmt såpvatten och en mjuk svamp. Undvik att använda skursvampar.
- > För att ta bort envisa fläckar eller rester, blötlägg matlagningssytan i ett par minuter i varmt vatten innan du försöker göra rent den.

Underhåll

- > Efter rengöring rekommenderar vi att du sprider en liten mängd olja till matlagningssytan innan du förvarar den för att skydda ytan mot luft och fukt.
- > De flesta matlagningssytor levereras med en praktisk förvaringspåse. Placera den oljade matlagningssytan i en plastpåse innan den förvaras i påsen för att hålla påsen ren och fri från rester.

Matlagningsmetoder

- > Grilla: Grillen är perfekt för fettfri grillning av kyckling, kött, fisk eller grönsaker.
- > Stekning: Den platta grillplåten är perfekt för wok, fisk, bacon, ägg och grönsaker och för att göra pannkakor.
- > Kokning: Det är enkelt att göra såser eller kokt ris och pasta med en lämplig kastrull eller gryta som placeras på grytstödet. Undvik att använda kokkäril med plasthandtag eftersom de kan bli varma under tillagningen och kan smälta.

Valfria tillbehör

- > Pizzasten Pro: Perfekt för att göra pizza, tunnbröd osv. Du måste använda kupolen för att skapa en ugn för bakning.
- > Pae llapanna: Pae llapannan är tillverkad av pressat aluminium av hög kvalitet för jämn värmefördelning och är perfekt för att laga pael la, risotto, pastarätter, traditionella frukostar osv.
- > Ställ för kaffe panna: Ger den perfekta bryggplattformen för kaffe bryggaren eller vattenkokaren.



ANVISNING

- GreenGrill-beläggningen leder värme bättre än vanliga (PTFE) nonstick-beläggningar. Därför rekommenderar vi att endast 75 % av den vanliga effektinställningen används.
- För att undvika skador på matlagningssytan ska du aldrig lämna kvar den på värmekällan utan oljebeläggning.
- Vi rekommenderar att du steker med solros- eller rapsolja på grund av deras höga rykpunkt. Vi rekommenderar inte att olivolja används på grund av dess lägre rykpunkt, vilket kan leda till att ingredienser fastnar eller bränns. Tips: låt kött eller fisk anta rumstemperatur före stekning för att förhindra att de fastnar.
- CADAC | Dometic Soft Soak och Soft Soak Brush (säljs separat) är perfekt för att rengöra produkter för GreenGrill-matlagningssytor, som hjälp vid blötläggning och borttagning av envisa matrester.

9 Rengöra apparaten

- > Rengör apparaten ordentligt efter varje användning för att förlänga dess livslängd.

- > Låt apparaten svalna innan den rengörs.
- > Rengör apparaten genom att torka av den med en fuktig trasa och lite rengöringsmedel efter behov.
- > Sänk inte ned apparaten i vatten eftersom det kan skada brännarslangen och orsaka fel på apparaten.
- > Håll vattnet borta från brännarna och flamindikatorområdet. Torka apparaten helt innan den används.
- > Använd inte slipande rengöringsmedel eftersom de kan skada ytan.
- > Använd inte en högtrycksångare eller vattenstråle för att rengöra apparaten.



ANVISNING

För envisa fläckar kan CADAC ugn rengöringsmedel användas.

10 Förvaring

- > Låt enheten svalna och rengör den ordentligt innan den förvaras.
- > Se till att gastillförseln är avstängd innan du kopplar bort den från apparaten.
- > Förvara aldrig en apparat med gastillförseln ansluten. Detta är ett osäkert förvaringssätt.
- > Förvara apparaten och gastillförseln i ett välventilerat utrymme på avstånd från brännbara ämnen. Förvara helst gasflaskorna utomhus, aldrig i källaren eller garaget.

11 Underhåll och felsökning

- > Regelbunden rengöring och regelbundet underhåll förlänger apparatens livslängd och minskar risken för problem.
- > Vi rekommenderar att du servar var 12:e månad på en serviceverkstad för att säkerställa effektiv drift.
- > Apparaten får endast underhållas av en auktoriserad tekniker.
- > Kontrollera regelbundet alla anslutningar med avseende på läckage och varje gång gasflaskan fylls på eller ansluts.
- > Rengör brännarportarna i händelse av spill.

Felsökning

- > Vi rekommenderar att insprutarna rengörs eller byts ut var sjätte månad för att bibehålla en effektiv drift.

- > Om apparaten fungerar onormalt efter förvaring och kontroller inte isolerar problemet kan insprutaren vara blockerad. En blockerad insprutare indikeras av en svagare gulaktig låga eller ingen låga alls. I sådana fall tar du bort och rengör insprutaren noggrant för att ta bort eventuella främmande partiklar.
- > Ta bort insprutaren med standardverktyg och blås bort eventuell smuts. Alternativt kan du köpa nya insprutare från din lokala butik. Försök inte att rengöra insprutaren mekaniskt.

- En reklamerationsbeskrivning eller felbeskrivning

Observera att självständiga eller icke professionella reparationer kan påverka säkerheten och leda till att garantin blir ogiltig.

Byte av en blockerad insprutare

Apparaten är utrustad med en insprutare av specifik storlek för att reglera rätt mängd gas. Om insprutningshålet är igensatt kan det orsaka en svag låga eller ingen låga alls. Undvik att rengöra insprutaren med en nål eller liknande eftersom det kan skada insprutaren, vilket utgör en säkerhetsrisk för apparaten. Gör följande för att byta insprutaren:

bild. 7 sida 6

1. Ta bort fettkärlet.
2. Ta bort de tre skruvarna på värmeskyddsplåten och ta bort värmeskyddet.
3. Ta bort de två skruvarna på brännarenheten och ta bort den. Se till att inte skada den anslutna tändarkabeln.
4. Använd en lämplig skiftnyckel för att ta bort insprutaren. Undvik att använda en tång eftersom det kan skada insprutaren. Skruva in den nya insprutaren i ventilen och var försiktig så att den inte dras åt för hårt för att undvika skador.

12 Reservdelar

bild. 8 sida 7



ANVISNING Använd alltid originalreservdelar. Kontakta din lokala leverantör för hjälp.

13 Garanti

Den lagstadgade garantitiden gäller. Kontakta din återförsäljare eller tillverkarens representant i ditt land om produkten är defekt. (se www.cadacinternational.com/support)

Vid reparations- och garantiärenden ska följande dokument skickas med när du returnerar produkten:

- En kopia på fakturan med inköpsdatum

14 Tekniska data

Tabell 9. Tekniska data

Användningsland	BE, CH, CY, CZ, ES, FR, GB, GR, IE, IT, LT, LU, LV, PT, SK, SI		PL	BE, CY, DK, EE, FR, FI, HU, IT, LT, NL, NO, SE, SI, SK, RO, HR, TR, BG, IS, LU, MT, ZA	AT, CH, DE, SK
Apparatkategori	I _{3+(28-30/37)}		I _{3B/P (37)}	I _{3B/P (30)}	I _{3B/P (50)}
Tillåtna gaser	Butan	Propan	Butan, propan eller en blandning av dessa		
Gastryck	28 – 30 mbar	37 mbar	37 mbar	28 – 30 mbar	50 mbar
Jetnummer	0.68		0.65	0.68	0.61
Nominell användning	145 g/tim				
Nominell bruttoeffekt för värme	2 kW		2 kW	2 kW	2 kW

Landsnamn och förkortningar

AT = Österrike	BE = Belgien	BG = Bulgarien	CH = Schweiz	CY = Cypern
CZ = Tjeckien	DE = Tyskland	DK = Danmark	EE = Estland	ES = Spanien
FI = Finland	FR = Frankrike	GB = Storbritannien	GR = Grekland	HR = Kroatien
HU = Ungern	IE = Irland	IS = Island	IT = Italien	LT = Litauen
LU = Luxemburg	LV = Lettland	MT = Malta	NL = Nederländerna	NO = Norge
PL = Polen	PT = Portugal	RO = Rumänien	SE = Sverige	SL = Slovenien
SK = Slovakien	TR = Turkiet			

Norsk

1	Viktige merknader.....	86
2	Symbolforklaring.....	86
3	Sikkerhetsregler.....	86
4	Gasslekkasjer.....	88
5	Liste over komponenter.....	88
6	Montere apparatet.....	89
7	Bruke apparatet.....	90
8	GreenGrill-matlagingsoverflater.....	90
9	Rengjøre apparatet.....	91
10	Oppbevaring.....	91
11	Vedlikehold og feilretting.....	91
12	Reservedeler.....	92
13	Garanti.....	92
14	Tekniske spesifikasjoner.....	93

1 Viktige merknader

Venligst les disse instruksjonene nøye og følg alle anvisninger, retningslinjer og advarsler i denne produktveiledningen for å sikre at du installerer, bruker og vedlikeholder produktet ordentlig til enhver tid. Disse instruksjonene MÅ alltid følge med produktet.

Ved å bruke dette produktet bekrefter du at du har lest alle anvisninger, retningslinjer og advarsler grundig, og at du forstår og samtykker i å overholde vilkårene slik de er presentert her. Du godtar å bruke dette produktet kun til tiltenkt formål og bruksområder, og i samsvar med anvisningene, retningslinjene og advarslene slik de er presentert i denne produktveiledningen, så vel som i samsvar med alle gjeldende lovbestemmelser og forskrifter. Hvis anvisningene og advarslene som er presentert her, ikke blir lest og fulgt, kan det føre til personskader hos deg selv eller andre, skader på produktet eller skader på annen eiendom i nærheten. Denne produktveiledningen med sine anvisninger, retningslinjer og advarsler, samt relatert dokumentasjon, kan være underlagt endringer og oppdateringer. For oppdatert produktinformasjon, se documents.dometic.com.

2 Symbolforklaring

Et signalord identifiserer sikkerhetsmeldinger og meldinger om mulige skader på eiendom, og indikerer også alvorlighetsgraden av faren.



FARE!

Kjennetegner en farlig situasjon som, dersom den ikke unngås, vil føre til alvorlige personskader, eventuelt med døden til følge.



ADVARSEL!

Kjennetegner en farlig situasjon som - dersom den ikke unngås - kan resultere i alvorlige personskader, eventuelt med døden til følge.



FORSIKTIG!

Kjennetegner en farlig situasjon som - dersom den ikke unngås - kan resultere i mindre til moderate personskader.



PASS PÅ!

Kjennetegner en situasjon som - dersom den ikke unngås - kan resultere i materielle skader.



MERK Ytterligere informasjon om betjening av produktet.

3 Sikkerhetsregler

- > Les disse instruksjonene nøye for å gjøre deg kjent med apparatet. Alle garantier blir ugyldige hvis du ikke følger disse instruksjonene. Behold disse instruksjonene for fremtidig referanse.

Grunnleggende sikkerhet

- > Manglende overholdelse av disse advarslene kan føre til død eller alvorlig skade.



ADVARSEL! Fare på grunn av karbonmonoksid

- > Bruk aldri dette produktet innendørs. Brenning av flytende gass produserer karbonmonoksid som samler seg opp inne i lukkede områder.
- > Dette gassapparatet bruker luft (oksygen). Sørg for at apparatet brukes i et godt ventilert område.
- > Utvid ventileringskapasiteten hvis du bruker flere gassapparater.
- > Ikke bruk dette produktet i områder som ikke er ventilert, slik som i lukkede rom, telt, fortelt, biler, bobiler, campingvogner eller inne i skip, yachter, båter og lastebilførarhus.
- > **Bruk det kun utendørs.**



ADVARSEL! Eksplosjonsfare

- > Ikke modifier dette apparatet. Bruk apparatet bare som tiltenkt.
- > Reparasjoner på dette produktet skal bare gjennomføres av fagpersoner. Usakkyndige reparasjoner kan føre til alvorlig risiko.



ADVARSEL! Brannfare

- > Ikke la dette apparatet være uten tilsyn når det er varmt eller i bruk.

- > Ha et brannslukkingsapparat eller annet egnet utstyr tilgjengelig for å slukke flammer hvis det skulle oppstå en nødsituasjon.

Sikkerhet under bruk

 fig. 1 på side 2



FARE! Eksplosjonsfare

- > Ikke bruk apparatet dersom det lekker, er skadd eller ikke fungerer ordentlig.
- > Ikke bruk apparatet hvis det har skadede eller slitte pakninger.



FORSIKTIG! Forbrenningsfare

- > Tilgjengelige deler kan være svært varme. Hold små barn unna.
- > Bruk vernehansker ved håndtering av varme komponenter.
- > Ikke bruk løstsittende klær eller la langt hår henge løst mens du tenner på eller bruker dette produktet.
- > Hold hender, ansikt og hår vekk fra brennere.
- > Overvåk nøye all aktivitet rundt produktet for å unngå forbrenninger eller andre personskaider.
- > Sett apparatet på et stødig, jevnt underlag. Sørg for at det monterte produktet er stabilt og ikke vipper.
- > Sørg for at panneholderen/matlagingsoverflaten er riktig plassert når du bruker apparatet.
- > Ikke flytt på apparatet under bruk.
- > Hold barn og kjæledyr på sikker avstand.
- > Bruk av alkohol, reseptpliktige eller ikke reseptpliktige medikamenter, kan påvirke din evne til å montere eller betjene dette produktet på en sikker måte.
- > La dette produktet kjøles ned ordentlig før du berører det med bare hender.



FORSIKTIG! Brannfare

- > Apparatet må holdes unna antenkelige materialer under bruk. Sikre minimumsavstander er: 120 cm over apparatet, og 60 cm bak og på sidene.
- > Ikke plasser andre gjenstander enn kokekar og panner på eller inn mot apparatet.

- > Når du bruker en gryte eller panne å steke i, må du bare bruke den anbefalte størrelsen på 150 mm til 300 mm diameter.
- > Ikke plasser kjemikalier, antenkelige materialer eller spraybokser nær apparatet.
- > Ved brann må gassforsyningen stenges umiddelbart.

Sikkerhetsregler for gass og slange

- > Bruk apparatet bare med en godkjent slange og regulator.



FARE! Eksplosjonsfare

- > Bruk apparatet bare med en godkjent slange og regulator.
- > Ikke endre eller modifierer regulatoren på noen som helst måte.
- > Ikke bruk apparatet hvis slangen er skadet eller slitt. Sjekk om slangen er skadet før hver bruk og før du kobler til gassforsyningen.
- > Gass forsynes til apparatet via en slange og regulator, som er koblet til en gassylinder som ikke overstiger 9 kg og som overholder lokale forskrifter, eller til en CADAC Dometic-kraftpakke, som er en enhet som bruker to eller flere gasspatroner. Det kan være farlig å prøve andre typer gassylindere eller gasspatroner.
- > Må bare brukes med en gassylinder som ikke er høyere enn 500 mm (ikke inkludert regulatoren) og ikke bredere enn 350 mm.
- > Koble til gassforsyningen i et godt ventilert område, helst utendørs, unna antenneskilder, for eksempel åpen ild og flamme, og unna andre personer.
- > Hold gassforsyningen unna varme og flammer. Ikke sett den på en ovn eller annen varm overflate.
- > Når du fester slangen til apparatet, må du ikke la den henge inntil apparatet. Ikke vri eller klem slangen.
- > Under bruk må du holde gassforsyningen i stående posisjon for å sørge for jevn og forskriftsmessig forsyning. Hvis ikke du overholder dette, kan det føre til at væske lekker ut, noe som kan føre til farlige situasjoner under bruk.

- > Ikke fjern gassforsyningen mens apparatet er i bruk.
- > Gassforsyningen må kobles fra apparatet etter bruk eller når det er under oppbevaring.

4 Gasslekkasjer

Gasslekkasjer fra skadede slanger eller feil forbindelser kan skape farlige situasjoner og må repareres umiddelbart. Det er helt avgjørende at alle gassforbindelser er forskriftsmessig koblet sammen for å hindre gasslekkasjer.



FARE! Eksplosjonsfare

- > Hvis du merker gasslukt, må du stenge gassventilen umiddelbart, og i tillegg må du vri bryteren på apparatet mot klokken til OFF-posisjon.
- > Slukke alle åpne flammer
- > Flytt apparatet til et flammefritt sted og gjennomfør en gasslekkasjetest. Denne testen må utføres utendørs i et godt ventilert område unna åpen ild eller antenneskilder.
- > Bruk aldri åpen ild for å sjekke om det er gasslekkasje. Bruk i stedet såpevann.

Utføre en gasslekkasjetest

En gasslekkasjetest må utføres hver gang en slange eller regulator festes på apparatet og gassforsyningen, og i tillegg hver gang gassforsyningen endres.



FARE! Hvis man ikke oppdager eller kan kontrollere en gasslekkasje, kan det føre til potensiell skade eller død.

- > Når du skal utføre en gasslekkasjetest, må du bruke såpevann på alle forbindelsespunkter langs gasslangen, dvs. for forbindelsen mellom gasslangen og apparatet, og forbindelsen mellom regulatoren og gassforsyningen.
- > Åpne gassylinderventilen forsiktig slik at gassen flyter jevnt.
- > Hvis det dannes bobler ved et forbindelsespunkt, er det et tegn på gasslekkasje.
- > Slå gassen av umiddelbart og koble gassforsyningen fra apparatet. Kontroller at alle pakninger er forskriftsmessig festet

og i god stand. Erstatt pakninger som viser tegn på skade.

- > Koble gassforsyningen til apparatet igjen og utfør gasslekkasjetesten på nytt.
- > Hvis det fortsatt er lekkasje, må du returnere produktet til en autorisert reparatør for å få hjelp.

Flammestabilitet

Kontroller at flammen er stabil når du bruker apparatet.



ADVARSEL! Ukontrollert bakflamme (flamme som brenner på innsiden av brenneren eller dysehuset) kan føre til farlige bruksforhold.

- > Hvis det oppstår bakflammer, må du umiddelbart slå av gassforsyningen ved først å stenge gassforsyningsventilen og deretter sette apparatets kontrollbryter i OFF-stilling. Etter at flammen er slukket, fjerner du regulatoren og sjekker pakningen. Erstatt den om nødvendig.
- > Koble til gassforsyningen på nytt og tenn apparatet igjen.
- > Hvis bakflammer oppstår regelmessig, må du returnere produktet til en autorisert reparatør for evaluering.

5 Liste over komponenter

fig. 2 på side 3

Komponent	Beskrivelse
①	Domed lid / Pot
②	Barbecue griddle
③	Flat griddle
④	Pan support
⑤	Drip pan
⑥	Burner
⑦	Control knob
⑧	Igniter
⑨	Quick release connection
⑩	Flat lid
⑪	BBQ 2 Plancha 30
⑫	Paella Pan 30

Modellkomponenter

Følgende modellkombinasjoner finnes for utvalget:

	6545-10	6545-20	6545-25
1	X	X	X
2	X	X	X
3	X		X
4	X	X	X
5	X	X	X
6	X	X	X
7	X	X	X
8	X	X	X
9			X
10			X
11			
12			

6 Montere apparatet

 **fig. 3** på side 4



ADVARSEL! Grunnleggende sikkerhet

Føttene er fjærbelastede. Åpning og lukking av føttene må gjøres på en kontrollert måte for å unngå personskade eller skade på apparatet.

Åpne føttene

- > Fjern alle løse deler fra apparatet. Snu apparatet opp ned og løft hver fot enkeltvis. Du vil høre en klikkelyd når foten er i riktig posisjon.

Legge føttene sammen igjen

- > Hold foten i godt grep og skyv fotklipset ned (M). Skyv føttene innover til sammenlagt posisjon. Dette må gjøres sekvensielt for å optimalisere pakkingen ved at du starter med den fremre venstre foten (1), deretter den fremre høyre foten (2), og til slutt den bakre foten (3).

Koble til gassforsyningen

 **fig. 4** på side 4

	A	B	C
NO	Regulator	Pakning	Kontrollventil

- > Før du kobler apparatet til en gassforsyning, må du kontrollere at gummipakningen på regulatoren er i posisjon og i god stand.
- > Før du kobler en godkjent slange og regulator til apparatet, må du kontrollere at apparatets kontrollbryter står i OFF-posisjon.
- > Blås unna støv fra gassforsyningsmunningen for å hindre potensiell blokkering av injektoren.
- > Sørg for at gassforsyningen blir montert på et godt ventilerert sted unna alle typer antennelseskilder, for eksempel åpen ild og unna andre personer.
- > Ikke røyk mens du kobler til eller endrer gassforsyningen.
- > Sørg for at gassylindren til enhver tid er i stående posisjon. Koble regulatoren til gassylindren og stram til for hånd for å sikre forbindelsen.

Koble slangen til apparatet

 **fig. 5** på side 5

- > Koble slangen til apparatet. Stram til for å sikre forbindelse. Ikke vri eller klem slangen. Sørg for at slangen ikke er i kontakt med apparatet for å hindre forringelse eller skade på slangen på grunn av varme.
- > Sørg for at gassforseglingen er intakt ved å utføre en gasslekkasjetest, som beskrevet i kapittel Gasslekkasjer. Hvis du ikke kan reparere en gasslekkasje, må du ikke bruke apparatet. Hvis du er i tvil, kontakter du nærmeste forhandler.
- > Utfør alle disse sikkerhetskontrollene hver gang du kobler apparatet til en gassforsyning.

Koble fra og endre gassforsyningen

- > Etter bruk vrir du apparatets kontrollbryter til OFF-posisjon og stenger gassforsyningen.
- > Når du må erstatte den tomme sylindren, må du kontrollere at gassventilen er stengt på gassylindren.
- > Fjern regulatoren fra den tomme sylindren og fest den til en full sylinder. Se instruksjonene ovenfor for hvordan du kobler til gassforsyningen.
- > Bruk samme kontrollprosedyrer som når du fester en ny gassylinder.

Kontrollere om gassylindren er tom

- > Den tomme vekten til en gassylinder er vanligvis trykket på halsen eller fotringen. Veiling av sylindren vil angi det gjeldende gassnivået. Hvis vekten samsvarer med den påtrykte vekten, er sylindren tom. Avviket mellom den gjeldende vekten og den påtrykte vekten angir mengden gjenværende gass.

7 Bruke apparatet

- > Før førstegangsbruk må du sjekke at all beskyttelsesemballasje og plast er fjernet fra apparatet.
- > Før hver bruk, må du sjekke at alle deler er i god stand. Utfør en gasslekkasjetest, som beskrevet i kapittel Gasslekkasjer, hver gang gassforsyningen kobles til eller endres.
- > Etter lengre tids oppbevaring, må du inspisere apparatet og fjerne insekter, fremmedelementer og spindelvev, ettersom slike ting kan påvirke gassflyten.
- > Bruk dette apparatet kun på et stødig underlag.
- > Ikke flytt på apparatet under bruk. Det er ikke anbefalt, og kan føre til blussende flamme.
- > Fjern matlagingsoverflater under tenning av apparatet.
- > Bruk kun kokekar med en diameter på 150 mm til 300 mm.

Tenne apparatet med tenneren

fig. 6 på side 5

- > For å tenne gassbrenneren, skyver du inn og vrir kontrollbryteren mot klokken til høyeste innstilling samtidig som du trykker inn tenneknappen.
- > Hvis gassen ikke tenner på første gnist, vrir du kontrollbryteren tilbake til OFF-posisjon og prøver en gang til.
- > Hvis gassen ikke tennes etter to til tre sekunder, må du stenge kontrollventilen ved å vri kontrollbryteren til OFF-posisjon.
- > Vent i omtrent 30 s for å la eventuell oppsamlet gass i brenneren fordampe. Gjenta om nødvendig prosessen ovenfor til flammen tennes. Flammen skal normalt sett tennes på ett til to sekunder.

Tenne apparatet ved hjelp av en grillighter

- > Når du tenner et kaldt apparat, kan du tenne apparatet fra toppen av brenneren før du monterer ønsket matlagingsoverflate.
- > Når du tenner et varmt apparat, kan du tenne apparatet ved å stikke en grillighter inn i ett av ventilhullene under brenneren til den peker mot brenneren. Du å IKKE føre grillighteren gjennom det store hullet rett under brenneren.
- > Når grillighteren er i posisjon, tenner du lighteren før du skyver den inn og vrir kontrollbryteren mot klokken for å tenne gassbrenneren.



MERK

- Når apparatet er tent, justerer du flammenivået ved å vri kontrollbryteren med klokken for å redusere flammen, og mot klokken for å øke flammen.
- Når du lager mat med høyt fettinnhold, kan det oppstå bluss hvis den valgte varmeinnstillingen er for høy. Hvis dette skjer, skruur du ned varmen til blussingen gir seg.
- Etter bruk må du sette kontrollbryteren på apparatet til OFF-posisjon, og du må sjekke at flammen er slukket før du fjerner gassforsyningen.

8 GreenGrill-matlagingsoverflater

De fleste CADAC | Dometic-matlagingsoverflater har et keramisk GreenGrill-belegg som ikke inneholder PFOA eller gifter slik at maten blir sunnere.

Klargjøre matlagingsoverflaten

Før førstegangsbruk anbefales det at du klargjør matlagingsoverflaten slik at mat ikke fester seg.

- > Bruk et tynt lag med matolje over hele matlagingsoverflaten, og varm den opp på middels varme i 2–3 minutter.
- > La matlagingsoverflaten avkjøles før du vasker den med varmt såpevann.
- > Hell et nytt tynt lag med matolje over matlagingsoverflaten. Den er nå klar til bruk.

Rengjøre matlagingsoverflaten

- > La alltid matlagingsoverflaten kjøle seg ned før du legger den i vann.
- > Rengjør matlagingsoverflaten med varmt såpevann og en myk svamp. Unngå bruk av skurekluter.
- > For å løse flekker og matrester som er vanskelige å fjerne, lar du matlagingsoverflaten bløtes i varmt vann noen minutter før du forsøker å rengjøre den.

Vedlikehold

- > Etter rengjøring anbefales det å helle litt matolje over matlagingsoverflaten før den settes til oppbevaring, slik at overflaten beskyttes mot luft og fuktighet.
- > De fleste matlagingsoverflater har en praktisk oppbevaringspose. Legg den oljede matlagingsoverflaten i en plastpose før du oppbevarer den i bagen som fulgte med produktet, slik at bagen holder seg ren og fri for matrester.

Matlagingsmetoder

- > Grilling: BBQ-grillen er ideell for fettfri grilling av kylling, kjøtt, fisk eller grønnsaker.
- > Steking i panne: Den flate grillplaten er perfekt til mat som krever rask steking, fisk, bacon, egg og grønnsaker, og også til å steke pannekaker.
- > Koking: Det er enkelt å lage sauser eller koke ris og pasta ved å bruke en egnet gryte eller stekepanne på toppkronen. Unngå å bruke kokekaker med plasthåndtak, fordi de kan bli varme under matlaging og kanskje smelte.

Valgfritt tilbehør

- > Pizzastein: Ideell for å steke pizzaer, flatbrød osv. Du må bruke kuppelen til å lage en «ovn» til steking.
- > Paellapanne: Paellapannen er laget av presset aluminium av høy kvalitet, og den er velegnet for å lage paella, risotto, pastaretter, tradisjonelle frokoster osv.
- > Kaffekanneholder: Er det perfekte kokeunderlaget for kaffetraktere eller kjeler.



MERK

- GreenGrill-belegg leder varme bedre enn vanlige keramiske belegg (PTFE). Derfor anbefales det å bruke bare 75 % av normal varme.
- For å unngå skade på matlagingsoverflaten, må du aldri la den være slått på uten et lag med olje.
- Det anbefales å steke med solsikkeolje eller rapsolje på grunn av deres høye brennpunkter. Bruk av olivenolje anbefales ikke på grunn av dens lave brennpunkt, som kan føre til at ingredienser fester seg eller blir svidd. Tips: sørg for at kjøtt eller fisk har romtemperatur før du steker, slik at du unngår at maten fester seg.
- CADAC | Dometic Soft Soak-bollen og -børsten (selges separat) er ideelle rengjøringsprodukter for GreenGrill-matlagingsoverflater, og disse bidrar til bløting og fjerning av matrester som er vanskelig å få av.

9 Rengjøre apparatet

- > For å forlenge levetiden til apparatet, må du rengjøre det etter bruk.
- > La apparatet avkjøles før du rengjør det.
- > For å rengjøre apparatet, tørker du av det med en fuktig klut og litt rengjøringsmiddel etter behov.

- > Ikke legg apparatet i vann, ettersom dette kan skade brennerrøret og føre til at apparatet ikke fungerer.
- > Hold vann unna brennerne og pilotflammeområdet. Tørk av hele apparatet før du bruker det igjen.
- > Ikke bruk slipende rengjøringsmidler, ettersom det kan føre til riper i overflatene.
- > Ikke bruk damp eller vann med høytrykk for å rengjøre apparatet.



MERK

CADAC-ovnsrengjøringsmiddel kan brukes for flekker som er vanskelige å fjerne.

10 Oppbevaring

- > La apparatet kjøles ned og rengjør grundig før oppbevaring.
- > Sørg for at gassforsyningen er slått av før du kobler den fra apparatet.
- > Oppbevar aldri apparatet med gassforsyningen tilkoblet. Dette er en svært usikker praksis.
- > Oppbevar apparatet og gassforsyningen i et godt ventilert område unna antennelseskilder. Oppbevar helst sylindere utendørs og aldri i en kjeller eller garasje.

11 Vedlikehold og feilretting

- > Regelmessig rengjøring og vedlikehold vil forlenge apparatets levetid og redusere sannsynligheten for problemer.
- > Det anbefales å ta med apparatet til service hos en autorisert forhandler én gang i året for å sikre optimal bruk.
- > Vedlikehold av apparatet må kun utføres av autoriserte personer.
- > Se etter lekkasjer ved alle forbindelser regelmessig, og hver gang gassylindere fylles eller festes.
- > Rengjør brenneråpninger i tilfelle søl og smuss.

Feilretting

- > Det anbefales å rengjøre eller erstatte injektorene en gang i halvåret for å opprettholde optimal bruk.
- > Hvis apparatet ikke fungerer optimalt etter oppbevaring og ulike kontroller ikke løser problemet, kan det hende injektoren er blokkert. En blokkert injektor angis av en svakere, gulaktig flamme eller ingen flamme. I slike tilfeller må du fjerne og rengjøre injektoren grundig for å fjerne det som har forårsaket blokkeringen.

- > Fjern injektoren ved hjelp av standardverktøy og blås unna støv og smuss. Alternativt kan du kjøpe nye injektorer hos din lokale forhandler. Ikke prøv å utføre mekanisk rengjøring av injektoren.

Erstatte en blokkert injektor

Apparatet er utstyrt med en injektor med en spesifikk størrelse for å regulere den riktige gassmengden. Hvis injektorhullet er blokkert, kan det føre til en svak flamme eller ingen flamme. Unngå rengjøring av injektoren med en stift eller lignende, fordi det kan skade injektoren, noe som vil utgjøre en sikkerhetsrisiko for apparatet. Gjør følgende for å erstatte injektoren:

fig. 7 på side 6

1. Fjern fettpannen.
2. Løsne de tre skruene på varmeskjoldet og ta det av.
3. Løsne de to skruene på brenneren og ta den av. Vær forsiktig slik at du ikke skader tennerledningen.
4. Bruk en egnet momentnøkkel for å fjerne injektoren. Ikke bruk tang, ettersom dette kan skade injektoren. Skru den nye injektoren inn i ventilen, og vær forsiktig slik at du ikke strammer til for hardt.

12 Reservedeler

fig. 8 på side 7



MERK Bruk alltid riktige reservedeler. Kontakt den lokale leverandøren for hjelp.

13 Garanti

Lovmessig garantitid gjelder. Hvis produktet er defekt, kontakter du forhandleren eller produsentens filial i landet ditt. (se www.cadacinternational.com/support)

For henvendelser vedrørende reparasjon eller garanti, må du legge ved følgende dokumentasjon når du sender inn produktet:

- Kopi av kvitteringen med kjøpsdato
- Årsak til reklamasjonen eller beskrivelse av feilen

Vær oppmerksom på at reparasjoner som utføres selv, eller som ikke utføres på en profesjonell måte, kan gå ut over sikkerheten og føre til at garantien blir ugyldig.

14 Tekniske spesifikasjoner

Tabell 10: Tekniske spesifikasjoner

Land der apparatet brukes	BE, CH, CY, CZ, ES, FR, GB, GR, IE, IT, LT, LU, LV, PT, SK, SI		PL	BE, CY, DK, EE, FR, FI, HU, IT, LT, NL, NO, SE, SI, SK, RO, HR, TR, BG, IS, LU, MT, ZA	AT, CH, DE, SK
Apparatkategori	I _{3+(28-30/37)}		I _{3B/P (37)}	I _{3B/P (30)}	I _{3B/P (50)}
Tillatte gasser	Butan	Propan	Butan, propan eller en kombinasjon av disse		
Gasstrykk	28-30 mbar	37 mbar	37 mbar	28-30 mbar	50 mbar
Dysenummer	0.68		0.65	0.68	0.61
Nominell bruk	145 g/time				
Brutto nominell varmebe- lastning	2 kW		2 kW	2 kW	2 kW

Navn på og forkortelser for land

AT = Østerrike	BE = Belgia	BG = Bulgaria	CH = Sveits	CY = Kypros
CZ = Tsjekkia	DE = Tyskland	DK = Danmark	EE = Estland	ES = Spania
FI = Finland	FR = Frankrike	GB = Storbritannia	GR = Hellas	HR = Kroatia
HU = Ungarn	IE = Irland	IS = Island	IT = Italia	LT = Litauen
LU = Luxemburg	LV = Latvia	MT = Malta	NL = Nederland	NO = Norge
PL = Polen	PT = Portugal	RO = Romania	SE = Sverige	SI = Slovenia
SK = Slovakia	TR = Tyrkia			

Suomi

1	Tärkeitä huomautuksia.....	94
2	Symbolien selitykset.....	94
3	Turvallisuusohjeet.....	94
4	Kaasuvuodot.....	96
5	Osaluettelo.....	96
6	Laitteen kokoaminen.....	97
7	Laitteen käyttö.....	97
8	GreenGrill-keittotasot.....	98
9	Laitteen puhdistaminen.....	99
10	Varastointi.....	99
11	Kunnossapito ja vianetsintä.....	99
12	Varaosat.....	100
13	Takuu.....	100
14	Tekniset tiedot.....	101

1 Tärkeitä huomautuksia

Lue nämä ohjeet huolellisesti ja noudata kaikkia tämän tuotteen käyttöohjeissa annettuja ohjeita, määräyksiä ja varoituksia. Näin varmistat, että tuotteen asennus, käyttö ja huolto sujuu aina oikein. Näiden ohjeiden TÄYTYY jäädä tuotteen yhteyteen.

Käyttämällä tuotetta vahvistat lukeneesi kaikki ohjeet, määräykset ja varoitukset huolellisesti ja että ymmärrät ja hyväksyt tässä annetut ehdot. Sitoudut käyttämään tuotetta ainoastaan sen käyttötarkoitukseen ja ilmoitetuissa käyttökohteissa ja noudattaen tässä tuotteen käyttöohjeessa annettuja ohjeita, määräyksiä ja varoituksia sekä voimassa olevia lakeja ja määräyksiä. Tässä annettujen ohjeiden ja varoitusten lukematta ja noudattamatta jättäminen voi johtaa omaan tai muiden loukkaantumiseen, tuotteen vaurioitumiseen tai muun ympärillä olevan omaisuuden vaurioitumiseen. Tähän tuotteen käyttöohjeeseen, ohjeisiin, määräyksiin ja varoituksiin sekä ohjeisdokumenteihin voidaan tehdä muutoksia ja niitä voidaan päivittää. Katso ajantasaiset tuotetiedot osoitteesta documents.dometic.com.

2 Symbolien selitykset

Merkkisana tunnistaa turvallisuusviestejä ja omaisuusvahinkoihin liittyviä viestejä ja osoittaa lisäksi vaaratekijän vakavuusasteen.



VAARA!

Viittaa vaaralliseen tilanteeseen, joka johtaa kuolemaan tai vakavaan loukkaantumiseen, jos sitä ei vältetä.



VAROITUS!

viittaavat vaaralliseen tilanteeseen, joka voi johtaa kuolemaan tai vakavaan loukkaantumiseen, jos ohjeita ei noudateta.



HUOMIO!

viittaavat vaaralliseen tilanteeseen, joka voi johtaa lievään tai kohtalaiseen loukkaantumiseen, jos ohjeita ei noudateta.



HUOMAUTUS!

viittaavat tilanteeseen, joka voi johtaa esinevahinkoon, jos ohjeita ei noudateta.



OHJE Tuotteen käyttöä koskevia lisätietoja.

3 Turvallisuusohjeet

- > Lue nämä ohjeet huolellisesti ja tutustu laitteen toimintaan. Kaikki takuut mitätöityvät, jos et noudata näitä ohjeita. Säilytä nämä ohjeet myöhempiä käyttöä varten.

Perusturvallisuus

- > Näiden varoitusten noudattamatta jättäminen voi johtaa kuolemaan tai vakavaan vammaan.



VAROITUS! Häikävaara

- > Älä koskaan käytä tätä tuotetta sisätiloissa. Nestekaasun palamisesta syntyy häkää, ja suljetuissa tiloissa se pääsee kertymään.
- > Tämä kaasulaite kuluttaa ilmaa (happea). Varmista, että laitetta käytetään hyvin ilmastoitulla alueella.
- > Huolehdi lisäilmanvaihdosta, jos alueella käytetään enemmän kaasulaiteita.
- > Älä käytä tätä tuotetta tuulettamattomissa tiloissa kuten suljetuissa tiloissa, teltoissa, etuteloissa, moottoriajoneuvoissa, matkailuautoissa, asuntovaunuissa tai sisällä laivoissa, jahdeissa, veneissä ja kuorma-auton hyteissä.
- > **Käytä laitetta ainoastaan ulkona.**



VAROITUS! Räjähdyksivaara

- > Älä tee laitteeseen muutoksia. Käytä laitetta vain sen alkuuperäiseen käyttötarkoitukseen.
- > Ainoastaan ammattilaiset saavat korjata tätä tuotetta. Virheellisesti suoritetuista korjauksista saattaa aiheutua huomattavia vaaroja.



VAROITUS! Palovaara

- > Älä jätä laitetta ilman valvontaa sen ollessa kuuma tai toiminnassa.

- > Pidä palosammutin tai muu liekin sammutukseen tarkoitettu väline lähetyillä hätätilanteen varalta.

Turvallisuus käytön aikana

 kuva. 1 sivulla 2



VAARA! Räjähdyksivaara

- > Älä käytä laitetta, jos siinä on vuotoja tai vaurioita tai jos se ei toimi kunnolla.
- > Älä käytä laitetta, jos sen tiivisteet ovat kuluneet tai vaurioituneet.



HUOMIO! Palovammojen vaara

- > Kosketettavat osat voivat olla erittäin kuumia. Pidä pienet lapset loitolla.
- > Käytä suojäkäsineitä kun käsittelet kuumia komponentteja.
- > Älä käytä löysää vaatetusta tai päästä pitkiä hiuksia roikkumaan vapaasti, kun sytytät tai käytät tätä tuotetta.
- > Pidä kädet, kasvat ja hiukset kaukana polttimista.
- > Tarkkaile huolellisesti kaikkea toimintaa tämän tuotteen lähellä välttääksesi palovammat tai muut vammat.
- > Aseta laite tukevalle, tasaiselle alustalle. Varmista, että koottu laite on vakaa eikä heilu.
- > Varmista laitetta käytettäessä, että kattilatuki/kettotaso on asetettu oikein.
- > Älä liikuta laitetta käytön aikana.
- > Pidä lapset ja lemmikkieläimet turvallisen matkan päässä.
- > Alkoholin tai käsikauppa- tai reseptilääkkeiden käyttäminen voi heikentää kykyäsi asentaa laite asianmukaisesti tai käyttää sitä turvallisesti.
- > Anna tämän tuotteen jäähtyä kunnolla, ennen kuin kosket siihen paljain käsin.



HUOMIO! Palovaara

- > Tämän laitteen lähellä ei saa käytön aikana olla syttyviä materiaaleja. Pienimmät turvaetäisyydet ovat: 120 cm cm laitteen yläpuolella ja 60 cm cm takana ja sivuilla.
- > Älä laita mitään muita esineitä kuin kattiloita ja pannuja tämän laitteen päälle tai sitä vasten.

- > Kun käytä pannua tai kattilaa ruoanlaitossa, käytä vain suositeltuja, halkaisijaltaan 150 mm – 300 mm mm:n astioita.
- > Älä sijoita kemikaaleja, syttyviä materiaaleja tai aerosolisuihkeita laitteen lähelle.
- > Tulipalon sattuessa katkaise kaasunsyöttö välittömästi.

Kaasuun ja letkuun liittyvät varotoimet

- > Käytä laitetta vain hyväksytyin letkun ja säätimen kanssa.



VAARA! Räjähdyksivaara

- > Käytä laitetta vain hyväksytyin letkun ja säätimen kanssa.
- > Älä tee minkäänlaisia muutoksia säätimeen.
- > Älä käytä laitetta, jos letku on vaurioitunut tai kulunut. Tarkista letku vaurioiden varalta ennen jokaista käyttökertaa ja ennen kuin liität sen kaasunsyöttöön.
- > Kaasua syötetään laitteeseen paikallisten säädösten mukaisen letkun ja säätimen kautta, jotka on liitetty enintään 9 kg:n kaasupulloon tai CADAC Dometic Power Pakiin, johon mahtuu yli kaksi kaasupatruunaa. Muun tyyppisten kaasupullojen tai -patruunoiden asentaminen voi olla vaarallista.
- > Käyttö vain enintään 500 mm mm korkeiden (ei sisällä säädintä) ja 350 mm mm leveiden kaasupullojen kanssa.
- > Kytke kaasunsyöttö hyvin ilmastoitulla alueella, mieluiten ulkona poissa avoliekkien kaltaisten sytytyslähteiden sekä muiden ihmisten lähetyiltä.
- > Pidä kaasunsyöttö etäällä kuumuudesta ja liekeistä. Älä laita uunin tai muun kuuman pinnan päälle.
- > Kun liität letkun laitteeseen, suuntaa letku pois päin laitteen rungosta. Älä kierrä tai purista letkua.
- > Pidä käytön aikana kaasunsyöttö pystyasennossa, jotta polttoainetta virtaa oikein. Muussa tapauksessa voi syntyä nestepäästöjä, jotka johtavat vaarallisiin käyttöolosuhteisiin.
- > Älä irrota kaasunsyöttöä laitteen ollessa käytössä.
- > Kaasunsyöttö on kytkettävä irti laitteesta käytön jälkeen tai kun laite varastoidaan.

4 Kaasuvuodot

Vaurioituneiden letkujen kaasuvuodot tai virheelliset liitännät voivat aiheuttaa vaarallisia olosuhteita, ja niihin on puuttettava välittömästi. On erittäin tärkeää, että kaikki kaasuliitännät on kytketty oikein, jotta kaasuvuodoilta vältytään.



VAARA! Räjähdyksivaara

- > Jos haistat kaasua, katkaise kaasu välittömästi kaasupullon venttiilistä sekä laitteesta kääntämällä säätönappia myötöpäivään OFF-asentoon.
- > Sammuta kaikki avoliekit.
- > Siirrä laite paikkaan, jossa ei ole liekkejä, ja tarkista kaasuvuodot. Tämä tarkistus tulee tehdä ulkona hyvin ilmastoidulla alueella kaukana avoliekeistä tai sytytyslähteistä.
- > Älä koskaan etsi kaasuvuotoja avoliekin avulla, vaan käytä saippuavettä.

Kaasuvuoden tarkistaminen

Kaasuvuoden tarkistus on tehtävä aina, kun letku ja säädin asennetaan laitteeseen ja kaasunsyöttöön ja kun kaasunsyöttö vaihdetaan.



VAARA! Kaasuvuodon huomiotta jättäminen voi aiheuttaa vamman tai kuoleman.

- > Tarkista kaasuvuoto käyttämällä saippuavettä kaasuletkun kaikissa liitännäspisteissä, eli kaasuletkun ja laitteen välisessä liitännässä sekä säätimen ja kaasunsyötön välisessä liitännässä.
- > Avaa kaasupullon venttiili hitaasti, jotta kaasua alkaa virrata.
- > Jos johonkin liitännäspisteeseen muodostuu kuplia, kyseessä on kaasuvuoto.
- > Katkaise kaasu välittömästi ja kytke kaasunsyöttö irti laitteesta. Varmista, että kaikki tiivisteet ovat paikoillaan ja hyvässä kunnossa. Vaihda vaurioituneet tiivisteet.
- > Kytke kaasunsyöttö takaisin laitteeseen ja tarkista kaasuvuodot uudelleen.
- > Jos kaasuvuoto jatkuu, palauta laite valtuutettuun korjaamoon.

Liekin vakaus

Varmista liekin vakaus laitetta käytettäessä.



VAROITUS! Hallitsematon liekin takaisku (liekki palaa takaisin polttimeen tai suuttimen koteloon) voi aiheuttaa vaarallisia käyttöolosuhteita.

- > Liekin takaiskun sattuessa katkaise kaasunsyöttö välittömästi sulkemalla ensin kaasupullon venttiili ja kääntämällä sitten laitteen säätönappi OFF-asentoon. Kun liekki on sammunut, irrota säädin ja tarkista tiivisteiden kunto. Vaihda tiiviste tarvittaessa.
- > Kytke kaasunsyöttö uudelleen ja sytytä laitteeseen liekki.
- > Jos liekin takaiskuja esiintyy toistuvasti, palauta laite valtuutettuun korjaamoon.

5 Osaluettelo

 kuva. 2 sivulla 3

Osa	Kuvaus
①	Domed lid / Pot
②	Barbecue griddle
③	Flat griddle
④	Pan support
⑤	Drip pan
⑥	Burner
⑦	Control knob
⑧	Igniter
⑨	Quick release connection
⑩	Flat lid
⑪	BBQ 2 Plancha 30
⑫	Paella Pan 30

Mallin osat

Valikoiman malliyhdistelmät ovat seuraavat:

	6545-10	6545-20	6545-25
1	X	X	X
2	X	X	X
3	X		X
4	X	X	X
5	X	X	X
6	X	X	X
7	X	X	X

	6545-10	6545-20	6545-25
8	X	X	X
9			X
10			X
11			
12			

6 Laitteen kokoaminen

 kuva. 3 sivulla 4



VAROITUS! Perusturvallisuus

Jalat ovat jousikuormitteiset. Jalat on avattava ja suljettava hallitusti, jotta vältetään vammoilta ja laitteen vaurioilta.

Jalkojen avaaminen

- > Poista kaikki irralliset osat laitteesta. Käännä laite ylösalaisin ja nosta jokaista jalkaa erikseen. Kuulet naksahduksen, kun jalka on oikeassa asennossa.

Jalkojen taittaminen

- > Pidä jalasta tukevasti kiinni ja paina jalan vapautusnipsua alaspäin (M). Työnnä jalat sisäänpäin suljettuun asentoon. Tämä on tehtävä järjestyksessä pakkaustilan optimoimiseksi, alkaen vasemmasta etujalasta (1) ja jatkaen sitten oikeaan etujalkaan (2) ja lopuksi takajalkaan (3).

Kaasunsyötön liittämisen

 kuva. 4 sivulla 4

	A	B	C
FI	Säädin	Tiiviste	Säätöventtiili

- > Varmista ennen laitteen kytkemistä kaasunsyöttöön, että säätimen kumitiiviste on ehjä ja paikallaan.
- > Tarkista ennen hyväksytyä letkun ja säätimen kytkemistä laitteeseen, että laitteen säätönappi on asennossa OFF •.
- > Puhalla kaikki pöly pois kaasunsyötön aukosta, jotta suutin ei tukkeudu.
- > Varmista, että kaasunsyöttö on hyvin ilmastoidussa paikassa poissa avoliikkien kaltaisten sytytyslähteiden sekä muiden ihmisten lähetyiltä.
- > Älä tupakoi, kun kytket tai vaihdat kaasunsyöttöä.
- > Varmista, että kaasupullo on koko ajan pystyasennossa. Kytke säädin kaasupulloon ja kiristä liittäntä käsin.

Letkun liittämisen laitteeseen

 kuva. 5 sivulla 5

- > Liitä letku laitteeseen. Kiristä liittäntä. Älä kierrä tai purista letkua. Varmista, että letku on johdettu pois päin kaasulaitteesta, jotta kuumuus ei haurasta tai vaurioita sitä.
- > Varmista, että kaasutiiviste on pitävä, tekemällä kaasuvuototesti luvun Kaasuvuodot ohjeiden mukaisesti. Jos et voi korjata kaasuvuotoa, älä käytä laitetta. Jos olet epävarma, ota yhteyttä lähimpään jälleenmyyjään.
- > Tee nämä kaikki turvallisuustarkastukset joka kerta, kun kytket laitteen kaasunsyöttöön.

Kaasunsyötön irrottaminen ja vaihtaminen

- > Käännä käytön jälkeen laitteen säätönappi asentoon OFF • ja sulje kaasunsyöttö.
- > Jos tyhjä kaasupullo on vaihdettava, varmista, että pullon kaasuventtiili on kiinni.
- > Irrota säädin tyhjästä pullosta ja kiinnitä se täyteen pulloon. Katso yllä olevat ohjeet kaasunsyötön kytkemisestä.
- > Toimi yhtä huolellisesti ja suorita samat tarkastukset kuin uutta kaasupulloa asennettaessa.

Tyhjän kaasupullon tarkistaminen

- > Kaasupullon tyhjä paino on yleensä merkitty pullon kaulaan tai alarenkaaseen. Pullon punnitsemisella saadaan selville nykyinen kaasumäärä. Jos paino vastaa merkittyä painoa, pullo on tyhjä. Nykyisen painon ja merkityn painon erotus osoittaa jäljellä olevan kaasun määrän.

7 Laitteen käyttö

- > Varmista ennen ensimmäistä käyttökertaa, että suojapakkaus ja -muovi on poistettu laitteesta.
- > Varmista jokaisella käyttökerralla, että kaikki osat ovat hyvässä kunnossa. Tarkista kaasuvuodot luvussa Kaasuvuodot kuvatulla tavalla aina, kun kaasunsyöttö liitetään tai vaihdetaan.
- > Tarkista pitkäaikaisen säilytyksen jälkeen, onko laitteessa hyönteisiä, roskaa tai hämähäkinverkkoja, jotka voivat vaikuttaa kaasunvirtaukseen.
- > Käytä laitetta tasaisella ja vakaalla alustalla.
- > Älä liikuta laitetta käytön aikana. Se on vaarallista ja voi aiheuttaa liekehtimistä.
- > Poista kaikki keittotasot, kun sytytät laitteen.
- > Käytä vain keittoastioita, joiden halkaisija on 150 mm – 300 mm mm.

Laitteen sytyttäminen sytyttimellä

kuva. 6 sivulla 5

- > Sytytä kaasupoltin painamalla ja kääntämällä säätönappia vastapäivään suurimpaan asetukseen samalla, kun painat sytyttimen painiketta.
- > Jos kaasu ei syty ensimmäisestä kipinästä, käännä säätönappi takaisin asentoon OFF • ennen kuin yrität sytytystä uudelleen.
- > Jos kaasu ei ole syttynyt ensimmäisen kahden tai kolmen sekunnin aikana, sulje säätöventtiili kääntämällä säätönappi takaisin asentoon OFF •.
- > Odota noin 30 s sekuntia, jotta polttimeen kertynyt kaasu poistuu. Toista edellä mainittu prosessi tarvittaessa, kunnes liekki syttyy. Liekin pitäisi normaalisti syttyä ensimmäisen kahden sekunnin aikana.

Laitteen sytyttäminen grillisytyttimellä

- > Kylmää laitetta sytyttäessä laitteen voi sytyttää polttimen päältä ennen halutun keittotason asettamista.
- > Kuumaa laitetta sytyttäessä laitteen voi sytyttää työntämällä grillisytyttimen yhteen polttimen alapuolella olevaan tuuletusaukkoon polttimen suuntaisesti. Älä laita grillisytytintä suoraan polttimen alapuolella olevaan suureen aukkoon.
- > Kun grillisytytin on paikallaan, sytytä se ennen kuin painat ja käännät säätönappia vastapäivään.



OHJE

- Kun laite on sytytetty, säädä liekin voimakkuutta kääntämällä säätönappia myötäpäivään, jos haluat pienentää liekkiä, tai vastapäivään, jos haluat kasvattaa liekkiä.
- Kun valmistat rasvapoista ruokaa, liekehtimistä voi esiintyä, jos valittu lämpöasetus on liian korkea. Jos näin käy, pienennä lämpöä, kunnes liekehtiminen lakkaa.
- Varmista käytön jälkeen, että laitteen säätönappi on asennossa OFF • ja että liekki on sammunut, ennen kuin irrotat kaasunsyötön.

8 GreenGrill-keittotasot

Useimmissa CADAC | Dometic -keittotasossa on tarttumaton keraaminen GreenGrill-pinnoite, joka ei

sisällä perfluorioktaanihappoa tai myrkyllisiä aineita tehden näin ruoanlaitosta terveellisempää.

Keittotason valmisteleminen

Ennen ensimmäistä käyttökertaa on suositeltavaa käsitellä keittotaso, jotta ruoka ei tartu siihen.

- > Levitä ohut kerros ruoanlaittoöljyä koko keittotasolle ja lämmitä sitä keskilämmöllä 2–3 minuuttia.
- > Anna keittotason jäähtyä kokonaan ja pese se sitten lämpimällä saippuavedellä.
- > Levitä uusi ohut kerros öljyä keittotasolle. Se on nyt valmis käyttöön.

Keittotason puhdistaminen

- > Anna aina keittotasojen jäähtyä kokonaan ennen kuin upotat ne veteen.
- > Puhdista keittotaso lämpimällä saippuavedellä ja pehmeällä sienellä. Älä käytä hankaustyynyjä.
- > Poista pinttyneet tahrat liottamalla keittotasoa muutaman minuutin ajan lämpimässä vedessä ennen pesua.

Huolto

- > Suosittelemme, että puhdistuksen jälkeen keittotasolle levitetään pieni määrä öljyä, joka suojaa tasoa säilytyksen aikana ilmalta ja kosteudelta.
- > Useimpien keittotasojen mukana toimitetaan kätevä säilytyspussi. Laita öljytyt keittotaso muovipussiin ennen kuin säilytät sitä omassa pussissaan, jotta säilytyspussi pysyy puhtaana.

Ruoanlaittavat

- > Grillaus: Grilli sopii erinomaisesti kanan, lihan, kalan ja vihannesten rasvattomaan grillaukseen.
- > Pannulla paistaminen: Tasainen grillilevy sopii erinomaisesti kuumalla öljyllä paistamiseen, kalan, pekonin, kananmunien ja vihannesten paistamiseen sekä lettujen tekoon.
- > Keittäminen: Kastikkeiden tekeminen tai riisin ja pastan keittäminen on helppoa kattilatukeen laitettavan kattilan tai pannun avulla. Älä käytä keittoastioita, joissa on muovikahvat, sillä ne voivat kuumentua ruoanlaiton aikana ja sulaa.

Täydentävät varusteet

- > Pizza Stone Pro: Sopii erinomaisesti esimerkiksi pizzojen ja ohutleipien valmistamiseen. "Uunia" varten tarvitaan kupu.
- > Paellapannu: Paellapannu on valmistettu korkealaatuisesta puristetusta alumiinista, ja se jakaa lämpöä tasaisesti. Se sopii täydellisesti paellojen, risottojen, pastaruokien ja perinteisen aamiaisten valmistamiseen.

- > Kahvipannuteline: Tarjoaa täydellisen keittoalustan mokka- tai kahvipannulle.



OHJE

- GreenGrill-pinnoite johtaa lämpöä paremmin kuin tavalliset tarttumattomat pinnoitteet (PTFE). Tämän vuoksi suosittelemme käyttämään vain 75 % tavallisesta tehoasetuksesta.
- Keittotason vaurioiden välttämiseksi älä jätä tasoa lämmönlähteen päälle, jos sille ei ole levitetty öljyä.
- Suosittelemme paistamista auringonkukka- tai rapsiöljyllä, koska niillä on korkea palamispiste. Oliiviöljyn käyttöä ei suositella, koska sillä on matalampi palamispiste, joka voi aiheuttaa ainesten tarttumisen tai palamisen. Vinkki: Anna lihan tai kalan lämmetä huoneenlämpötilaan ennen paistamista, jotta se ei tartu.
- CADAC | Dometic Soft Soak ja Soft Soak -harja (myydään erikseen) ovat erinomaisia GreenGrill-keittotasojen puhdistustuotteita, jotka auttavat sitkeiden ruokajäämien liottamisessa ja poistamisessa.

9 Laitteen puhdistaminen

- > Pidennä laitteen käyttöikää puhdistamalla laite hyvin jokaisen käyttökerran jälkeen.
- > Anna laitteen jäähtyä ennen puhdistusta.
- > Puhdista laitteen runko pyyhkimällä se kostealla liinalla ja tarvittaessa pienellä määrällä pesuainetta.
- > Älä upota laitetta veteen, sillä se vaurioittaa polttimeen putkea ja aiheuttaa laitteen toimintahäiriön.
- > Älä päästä vetää polttimiin tai liekki-ilmaisimen alueelle. Kuivaa laite kokonaan ennen käyttöä.
- > Älä käytä hankaavaa puhdistusainetta, koska se naarmuttaa pintaa.
- > Älä käytä korkeapaineista höyrypesuria tai vesisuihkua laitteen puhdistamiseen.



OHJE

Voit käyttää pinttyneisiin tahroihin CADAC-uunipuhdistajaa.

10 Varastointi

- > Anna laitteen jäähtyä ja puhdista se hyvin ennen varastointia.
- > Varmista, että kaasunsyöttö on katkaistu, ennen kuin kytket sen irti laitteesta.
- > Älä säilytä laitetta kaasunsyöttö kytkettynä, sillä se on vaarallista.
- > Säilytä laitetta ja kaasunsyöttöä hyvin ilmastoidulla alueella poissa syttyvien aineiden lähetyviltä. Säilytä pulloja mieluiten ulkona, älä kellarissa tai autotallissa.

11 Kunnossapito ja vianetsintä

- > Säännöllinen puhdistus ja kunnossapito pidentävät laitteen käyttöikää ja pienentävät ongelmien todennäköisyyttä.
- > Suosittelemme laitteen huoltamista 12 kuukauden välein huoltopalvelussa, jotta laite toimii tehokkaasti.
- > Vain valtuutettu henkilö saa huoltaa tätä laitetta.
- > Tarkista säännöllisesti kaikki liitännät vuotojen varalta varsinkin silloin, kun kaasupullo täytetään tai liitetään.
- > Puhdista polttimeen portit, jos niissä on roiskeita.

Vianetsintä

- > Suosittelemme puhdistamaan tai vaihtamaan suuttimet kuuden kuukauden välein, jotta laite toimii tehokkaasti.
- > Jos laite ei toimi normaalisti säilytyksen jälkeen eikä tarkistuksissa ilmene ongelmaa, suutin voi olla tukossa. Heikompi kellertävä liekki tai liekin puuttuminen kokonaan on merkki tukkeutuneesta suuttimesta. Tällaisessa tilanteessa irrota ja puhdista suutin huolellisesti.
- > Irrota suutin käyttämällä tavallisia työkaluja ja puhalla kaikki lika pois. Voit vaihtoehtoisesti ostaa uusia suuttimia paikallisesta liikkeestä. Älä yritä puhdistaa suutinta mekaanisesti.

Tukkeutuneen suuttimen vaihtaminen

Laitteeseen on asennettu tietynkokoinen suutin, joka säätää kaasun määrää. Jos suuttimen aukko on tukossa, liekki voi olla heikko tai puuttua kokonaan. Älä puhdista suutinta tapilla tai vastaavalla välineellä, sillä se voi vaurioittaa suutinta ja laitetta. Vaihda suutin seuraavasti:

kuva. 7 sivulla 6

1. Poista rasvapannu.
2. Irrota lämpösuojalevyn kolme ruuvia ja poista lämpösuoja.

3. Irrota poltinkokoonpanon kaksi ruuvia ja poista kokoonpano. Varo vaurioittamasta liitettyä sytytysjohtoa.
4. Poista suutin sopivalla ruuviavaimella. Älä käytä pihtejä, sillä ne voivat vaurioittaa suutinta. Ruuvaa uusi suutin venttiiliin. Älä kiristä liikaa vaurioiden välttämiseksi.

12 Varaosat

 kuva. **8** sivulla 7



OHJE Käytä aina alkuperäisiä varaosia. Kysy lisätietoja paikalliselta tavarantoimittajalta.

13 Takuu

Tuotetta koskee lakisääteinen tuotevastuu-aika. Jos tuote on viallinen, ota yhteyttä jälleenmyyjään tai valmistajan toimipisteeseen omassa maassasi. (katso www.cadacinternational.com/support)

Jos lähetät tuotteen korjattavaksi, liitä korjaus- ja takuukäsittelyä varten mukaan seuraavat asiakirjat:

- Kopio kuitista, jossa näkyy ostopäivä
- Valitusperuste tai vikakuvaus

Huomaa, että itse tai väärin tehty korjaus voi vaarantaa turvallisuuden ja johtaa takuun raukeamiseen.

14 Tekniset tiedot

Taulu 11. Tekniset tiedot

Käyttömaa	BE, CH, CY, CZ, ES, FR, GB, GR, IE, IT, LT, LU, LV, PT, SK, SI		PL	BE, CY, DK, EE, FR, FI, HU, IT, LT, NL, NO, SE, SI, SK, RO, HR, TR, BG, IS, LU, MT, ZA	AT, CH, DE, SK
Laiteluokitus	I _{3+(28-30/37)}		I _{3B/P (37)}	I _{3B/P (30)}	I _{3B/P (50)}
Sallitut kaasut	Butaani	Propaani	Butaani, propaani tai niiden seos		
Kaasupaine	28–30 mbar	37mbar	37mbar	28–30 mbar	50mbar
Suutinkoko	0.68		0.65	0.68	0.61
Nimellinen käyttö	145 g/h				
Nimellinen kokonaislämpöteho	2kW		2kW	2kW	2kW

Maiden nimet ja lyhenteet

AT = Itävalta	BE = Belgia	BG = Bulgaria	CH = Sveitsi	CY = Kypros
CZ = Tšekin tasavalta	DE = Saksa	DK = Tanska	EE = Viro	ES = Espanja
FI = Suomi	FR = Ranska	GB = Iso-Britannia	GR = Kreikka	HR = Kroatia
HU = Unkari	IE = Irlanti	IS = Islanti	IT = Italia	LT = Liettua
LU = Luxemburg	LV = Latvia	MT = Malta	NL = Alankomaat	NO = Norja
PL = Puola	PT = Portugali	RO = Romania	SE = Ruotsi	SI = Slovenia
SK = Slovakia	TR = Turkki			

Polski

1	Ważne wskazówki.....	102
2	Objaśnienie symboli.....	102
3	Wskazówki bezpieczeństwa.....	102
4	Wycieki gazu.....	104
5	Lista elementów wyposażenia.....	105
6	Montaż urządzenia.....	105
7	Użytkowanie urządzenia.....	106
8	PowierzchniedogotowaniazpowłokąGreenGrill.....	107
9	Czyszczenie urządzenia.....	108
10	Przechowywanie.....	108
11	Konserwacja i usuwanie usterek.....	108
12	Części zamienne.....	109
13	Gwarancja.....	109
14	Dane techniczne.....	110

1 Ważne wskazówki

Prosimy o uważne przeczytanie niniejszej instrukcji obsługi produktu i przestrzeganie wszystkich zaleceń, wskazówek oraz ostrzeżeń w niej zawartych w celu zapewnienia prawidłowego montażu, użytkowania oraz konserwacji produktu w każdej sytuacji. Niniejsza instrukcja MUSI przez cały czas pozostawać przy produkcie.

Korzystając z produktu, użytkownik potwierdza uważne przeczytanie wszelkich instrukcji, wskazówek i ostrzeżeń, ich zrozumienie oraz zobowiązuje się przestrzegać zawartych w nich warunków. Użytkownik zobowiązuje się wykorzystywać niniejszy produkt wyłącznie zgodnie z jego przeznaczeniem i zamierzonym zastosowaniem oraz z instrukcjami, wskazówkami i ostrzeżeniami wyszczególnionymi w niniejszej instrukcji produktu, jak również ze wszystkimi mającymi zastosowanie przepisami i regulacjami prawnymi. Nieprzestrzeganie zawartych tu instrukcji i ostrzeżeń może skutkować obrażeniami u użytkownika oraz osób trzecich, uszkodzeniem produktu lub też uszkodzeniem mienia w sąsiedztwie produktu. Zastrzega się możliwość wprowadzania zmian i aktualizacji niniejszej instrukcji produktu, wraz z instrukcjami, wskazówkami i ostrzeżeniami oraz powiązaną dokumentacją. Aktualne informacje dotyczące produktu można zawsze znaleźć na stronie documents.domestic.com.

2 Objąsnienie symboli

Słowo sygnałowe pozwala rozpoznać komunikaty dotyczące bezpieczeństwa i komunikaty dotyczące uszkodzeń mienia, a także wskazuje stopień lub poziom zagrożenia.



NIEBEZPIECZEŃSTWO!

Wskazuje niebezpieczną sytuację, która – jeśli się jej nie uniknie – prowadzi do śmierci lub poważnych obrażeń.



OSTRZEŻENIE!

Wskazuje niebezpieczną sytuację, która – jeśli się jej nie uniknie – może prowadzić do śmierci lub poważnych obrażeń.



OSTROŻNIE!

Wskazuje niebezpieczną sytuację, która – jeśli się jej nie uniknie – może prowadzić do lekkich lub umiarkowanych obrażeń.



UWAGA!

Wskazuje sytuację, która – jeśli się jej nie uniknie – może prowadzić do powstania szkód materialnych.



WSKAZÓWKA Dodatkowe informacje dotyczące obsługi produktu.

3 Wskazówki bezpieczeństwa

- > Należy uważnie przeczytać niniejsze instrukcje, aby zapoznać się z urządzeniem. Nieprzestrzeganie instrukcji spowoduje utratę gwarancji. Instrukcje należy zachować do wykorzystania w przyszłości.

Podstawowe zasady bezpieczeństwa

- > Nieprzestrzeganie tych ostrzeżeń może prowadzić do śmierci lub ciężkich obrażeń.



OSTRZEŻENIE! Ryzyko zatrucia tlenkiem węgla

- > Nigdy nie używać produktu w zamkniętych pomieszczeniach. Podczas spalania płynnego gazu powstaje tlenek węgla, który gromadzi się w zamkniętych przestrzeniach.
- > To urządzenie gazowe wykorzystuje powietrze (tlen). Urządzenie powinno być używane w dobrze wentylowanym miejscu.
- > Jeśli w otoczeniu znajduje się więcej urządzeń gazowych, należy zapewnić dodatkową wentylację.
- > Nie używać produktu w obszarach bez wentylacji, takich jak zamknięte pomieszczenia, namioty, przedsionki, pojazdy silnikowe, kampery, przyczepy kempingowe ani pod pokładem statków, jachtów, łodzi albo też w kabinach pojazdów ciężarowych.
- > **Używać tylko na wolnym powietrzu.**



OSTRZEŻENIE! Ryzyko wybuchu

- > Nie wolno zmieniać konstrukcji urządzenia. Używać wyłącznie zgodnie z przeznaczeniem.

- > Napraw tego produktu mogą dokonywać tylko odpowiednio wykwalifikowane osoby. Nieodpowiednio wykonane naprawy mogą spowodować poważne zagrożenie.



OSTRZEŻENIE! Ryzyko pożaru

- > Nie pozostawiać gorącego lub pracującego urządzenia bez nadzoru.
- > Na wypadek sytuacji awaryjnej należy mieć w pogotowiu gaśnicę lub inny środek odpowiedni do ugaszenia płomienia.

Bezpieczeństwo podczas użytkowania

 rys. 1 na stronie 2



NIEBEZPIECZEŃSTWO! Ryzyko wybuchu

- > Nie używać urządzenia, jeśli jest ono nieszczelne, uszkodzone lub nie działa prawidłowo.
- > Nie używać urządzenia z uszkodzonymi lub zużytymi uszczelkami.



OSTROŻNIE! Ryzyko poparzenia

- > Dostępne części urządzenia mogą być bardzo gorące. Trzymać dzieci z dala od urządzenia.
- > Podczas obchodzenia się z gorącymi elementami nosić rękawice ochronne.
- > Nie nosić luźnej odzieży ani niezwiązanych długich włosów podczas zapalania lub korzystania z produktu.
- > Nie zbliżać dłoni, twarzy ani włosów do palników.
- > Zachować ostrożność podczas wykonywania wszelkich czynności przy produkcji, aby uniknąć oparzeń i innych obrażeń.
- > Z urządzenia należy korzystać wyłącznie na stabilnej, równej powierzchni. Należy upewnić się, że złożony produkt jest stabilny i nie kołysze się.
- > Podczas korzystania z urządzenia należy upewnić się, że podstawka na garnek / powierzchnie do gotowania są prawidłowo zamontowane.
- > Nie przenosić urządzenia podczas jego użytkowania.

- > Trzymać dzieci i zwierzęta w bezpiecznej odległości.
- > Spożywanie alkoholu lub zażywanie leków – dostępnych na receptę lub bez niej – może upośledzać zdolność do właściwego montażu i bezpiecznej obsługi tego produktu.
- > Przed dotknięciem produktu gołymi rękami pozostawić je do ostygnięcia.



OSTROŻNIE! Ryzyko pożaru

- > Stosować z dala od materiałów łatwopalnych. Minimalne bezpieczne odległości to: 120 cm nad urządzeniem i 60 cm z tyłu i po bokach.
- > Nie stawiać na urządzeniu ani przy nim żadnych przedmiotów poza garnkami i patelniami.
- > Do gotowania należy używać wyłącznie garnków lub patelni o średnicy od 150 mm do 300 mm.
- > Nie umieszcza w pobliżu urządzenia chemikaliów, materiałów łatwopalnych ani pojemników aerozolowych.
- > W przypadku pożaru niezwłocznie odciąć dopływ gazu.

Środki ostrożności dotyczące gazu i węża

- > Urządzenia należy używać wyłącznie z zatwierdzonym wężem i reduktorem.



NIEBEZPIECZEŃSTWO! Ryzyko wybuchu

- > Urządzenia należy używać wyłącznie z zatwierdzonym wężem i reduktorem.
- > Nie wolno w żaden sposób przerabiać ani modyfikować reduktora.
- > Nie używać urządzenia z uszkodzonym lub zużytym wężem. Przed każdym użyciem i podłączeniem węża do źródła zasilania gazem należy sprawdzić, czy nie jest on uszkodzony.
- > Gaz jest dostarczany do urządzenia za pomocą węża i reduktora, podłączonego do butli gazowej o wadze nieprzekraczającej 9 kg i zgodnej z obowiązującymi przepisami lokalnymi lub do adaptera CADAC Dometic Power Pak, umożliwiającego zasilanie z co najmniej dwóch kartuszy gazowych. Próba podłączenia innych typów butli

lub kartuszy gazowych może stwarzać zagrożenie.

- > Do użytku wyłącznie z butlą gazową o wysokości nieprzekraczającej 500 mm (nie licząc reduktora) i szerokości 350 mm.
- > Zasilanie gazem należy podłączyć w dobrze wentylowanym miejscu, najlepiej na wolnym powietrzu, z dala od źródeł zapłonu, takich jak otwarte płomienie i ogniska, oraz z dala od innych osób.
- > Źródło zasilania gazem należy trzymać z dala od źródeł ciepła i płomieni. Nie wolno umieszczać go na kuchence ani innej gorącej powierzchni.
- > Wąż należy podłączyć, prowadząc go z dala od korpusu urządzenia. Nie skręcać ani nie ścisnąć węża.
- > Podczas użytkowania należy utrzymywać źródło zasilania gazem w pozycji pionowej, aby zapewnić prawidłowy pobór paliwa. Niezastosowanie się do tego zalecenia może spowodować wyciek płynu, który może być przyczyną niebezpiecznych sytuacji podczas użytkowania.
- > Nie wolno odłączać dopływu gazu, gdy urządzenie jest używane.
- > Zasilanie gazem należy odłączyć od urządzenia po zakończeniu jego użytkowania lub na czas przechowywania.

4 Wycieki gazu

Wycieki gazu z uszkodzonych węży lub nieprawidłowych połączeń mogą stanowić zagrożenie. W przypadku ich wystąpienia należy natychmiast podjąć odpowiednie działania. Ważne jest, aby wszystkie połączenia gazowe były prawidłowo wykonane celem uniknięcia nieszczelności.



NIEBEZPIECZEŃSTWO! Ryzyko wybuchu

- > W przypadku wyczucia gazu należy natychmiast zakręcić zawór butli gazowej oraz wyłączyć urządzenie, obracając pokrętkę sterowania w prawo do pozycji wyłączenia.
- > Zgasić wszelkie nieosłonięte płomienie.
- > Przenieść urządzenie w miejsce zabezpieczone przed płomieniami i przeprowadzić test szczelności systemu gazowego. Test należy wykonać

na wolnym powietrzu w dobrze wentylowanym miejscu, z dala od otwartego ognia lub źródeł zapłonu.

- > Nigdy nie sprawdzać ewentualnych wycieków gazu za pomocą otwartego płomienia, do tego celu używać roztworu wody z mydłem.

Jak przeprowadzić test szczelności systemu gazowego

Test szczelności należy przeprowadzać za każdym razem, gdy do urządzenia i zasilania gazowego podłączany jest wąż i reduktor, a także za każdym razem, gdy wymieniane jest źródło zasilania gazem.



NIEBEZPIECZEŃSTWO! Niewykrycie i nieopanowanie wycieku gazu może skutkować potencjalnymi obrażeniami lub śmiercią.

- > Aby przeprowadzić test szczelności gazu, należy pokryć roztworem wody z mydłem wszystkie punkty połączeń wzdłuż węża gazowego, tj. połączenie między wężem gazowym a urządzeniem oraz połączenie między reduktorem a dopływem gazu.
- > Powoli otworzyć zawór butli gazowej, aby umożliwić przepływ gazu.
- > W przypadku ulatniania się gazu widoczne będzie pienienie się.
- > Natychmiast wyłączyć gaz i odłączyć dopływ gazu od urządzenia. Sprawdzić, czy wszystkie uszczelki znajdują się na swoim miejscu i są w dobrym stanie. Wymienić wszystkie uszczelki, które noszą ślady uszkodzeń.
- > Ponownie podłączyć dopływ gazu do urządzenia i przeprowadzić test szczelności.
- > Jeżeli nieszczelność nadal występuje, należy zwrócić produkt do autoryzowanego serwisu w celu uzyskania pomocy.

Stabilność płomienia

Podczas korzystania z urządzenia należy zapewnić stabilność płomienia.



OSTRZEŻENIE! Niekontrolowane cofanie się płomienia (płomień płonący wewnątrz palnika lub obudowy dyszy)

może być przyczyną niebezpiecznych sytuacji podczas użytkowania.

- > W przypadku cofania się płomienia należy natychmiast wyłączyć dopływ gazu, najpierw zamykając zawór butli gazowej, a następnie ustawiając pokrętko sterowania w pozycji wyłączenia. Po zgaszeniu płomienia należy wymontować reduktor i sprawdzić stan uszczelki; w razie potrzeby należy ją wymienić.
- > Ponownie podłączyć dopływ gazu i włączyć urządzenie.
- > Jeżeli płomień nadal się cofa, należy zwrócić produkt do autoryzowanego serwisu w celu uzyskania pomocy.

5 Lista elementów wyposażenia

 rys. 2 na stronie 3

Element	Opis
①	Domed lid / Pot
②	Barbecue griddle
③	Flat griddle
④	Pan support
⑤	Drip pan
⑥	Burner
⑦	Control knob
⑧	Igniter
⑨	Quick release connection
⑩	Flat lid
⑪	BBQ 2 Plancha 30
⑫	Paella Pan 30

Wyposażenie poszczególnych modeli

Dostępne są następujące kombinacje modeli:

	6545-10	6545-20	6545-25
1	X	X	X
2	X	X	X
3	X		X
4	X	X	X
5	X	X	X

	6545-10	6545-20	6545-25
6	X	X	X
7	X	X	X
8	X	X	X
9			X
10			X
11			
12			

6 Montaż urządzenia

 rys. 3 na stronie 4



OSTRZEŻENIE! Podstawowe zasady bezpieczeństwa

Nóżki są wyposażone w mechanizm sprężynowy. Nóżki należy otwierać i zamykać w sposób kontrolowany, aby uniknąć obrażeń ciała lub uszkodzenia urządzenia.

Rozkładanie nóżek

- > Usunąć z urządzenia wszystkie luźne części. Obrócić urządzenie spodem do góry i podnieść każdą nóżkę z osobna. Prawidłowo ustawiona nóżka powinna „kliknąć”.

Składanie nóżek

- > Przytrzymać nóżkę i nacisnąć zatrzask zwalniający (M) w dół. Wcisnąć nóżkę do środka do pozycji złożonej. Aby optymalnie wykorzystać miejsce do pakowania, należy kolejno złożyć każdą nóżkę: najpierw przednią lewą (1), następnie przednią prawą (2), a na końcu tylną (3).

Podłączanie zasilania gazem

 rys. 4 na stronie 4

	A	B	C
PL	Reduktor	Uszczelka	Zawór sterujący

- > Przed podłączeniem urządzenia do zasilania gazem należy upewnić się, że gumowa uszczelka reduktora znajduje się we właściwym położeniu i jest w dobrym stanie.
- > Przed podłączeniem zatwierdzonego węża i reduktora do urządzenia należy sprawdzić, czy pokrętko sterowania znajduje się w pozycji wyłączenia „•”.

- > Wydmuchać pył z wlotu gazu, aby zapobiec zablokowaniu dyszy.
- > Upewnić się, że źródło zasilania gazem jest podłączane w dobrze wentylowanym miejscu, z dala od wszelkich źródeł zapłonu, takich jak otwarty ogień, oraz z dala od innych osób.
- > Podczas podłączania lub zmiany źródła zasilania gazem nie wolno palić.
- > Butla z gazem powinna być zawsze ustawiona w pozycji pionowej. Podłączyć reduktor do butli gazowej i dokręcić ręcznie, aby go zamocować.

Podłączanie węża do urządzenia

rys. 5 na stronie 5

- > Podłączyć wąż do urządzenia. Dokręcić, aby zamocować wąż. Nie skręcać ani nie ścisnąć węża. Wąż należy poprowadzić z dala od korpusu urządzenia gazowego, aby zapobiec jego uszkodzeniu na skutek działania wysokiej temperatury.
- > Należy wykonać test szczelności gazowej zgodnie z instrukcją w rozdziale Wycieki gazu, aby upewnić się, że instalacja jest szczelna. Jeśli nie można usunąć wycieku gazu, nie należy używać urządzenia. W razie wątpliwości należy skontaktować się z lokalnym dystrybutorem.
- > Czynności kontrolne należy wykonywać za każdym razem, gdy urządzenie jest podłączane do źródła zasilania gazem.

Odlączenie i zmiana źródła zasilania gazem

- > Po zakończeniu użytkowania ustawić pokrętko sterowania w pozycji wyłączenia „•” i zamknąć dopływ gazu.
- > W przypadku konieczności wymiany pustej butli należy upewnić się, że zawór gazu na butli jest zamknięty.
- > Odlączyć reduktor od pustej butli i podłączyć go do pełnej butli. Informacje na temat podłączania źródła zasilania gazem znajdują się w powyższej.
- > Należy zachować taką samą ostrożność i stosować takie same procedury kontrolne, jak w przypadku podłączania nowej butli gazowej.

Jak sprawdzić, czy butla z gazem jest pusta

- > Masa pustej butli gazowej jest zwykle podana na jej kołnierzu lub pierścieniu podstawy. Zważenie butli pozwala sprawdzić aktualny poziom gazu. Jeśli zmierzona wartość odpowiada masie podanej na butli, oznacza to, że jest ona pusta. Różnica między aktualną masą a masą podaną na butli wskazuje pozostałą ilość gazu.

7 Użytkowanie urządzenia

- > Przed pierwszym użyciem należy upewnić się, że z urządzenia usunięto wszelkie opakowania ochronne i tworzywa sztuczne.
- > Przed każdym użyciem należy upewnić się, że wszystkie części są sprawne. Za każdym razem, gdy podłączane lub wymieniane jest źródło zasilania gazem, należy wykonać test szczelności opisany w rozdziale Wycieki gazu.
- > Po dłuższym przechowywaniu należy sprawdzić urządzenie pod kątem obecności owadów, zanieczyszczeń i pajęczyn, które mogą wpływać na przepływ gazu.
- > Z urządzenia można korzystać wyłącznie na stabilnej, równej powierzchni.
- > Nie należy przenosić urządzenia podczas jego użytkowania. Jest to niebezpieczna praktyka, która może być przyczyną pojawienia się płomieni.
- > Przed rozpaleniem urządzenia należy usunąć z niego wszelkie powierzchnie do gotowania.
- > Należy używać wyłącznie naczyń do gotowania o średnicy od 150 mm do 300 mm.

Rozpalanie urządzenia za pomocą zapalnika

rys. 6 na stronie 5

- > Aby zapalić palnik gazowy, należy wcisnąć i obrócić pokrętko sterowania w lewo do najwyższego ustawienia, jednocześnie wciskając przycisk zapalnika.
- > Jeśli gaz nie zapalił się od pierwszej iskry, należy obrócić pokrętko sterowania z powrotem do pozycji wyłączenia „•”, a następnie ponowić próbę.
- > Jeśli gaz nie zapalił się w ciągu pierwszych dwóch-trzech sekund, należy zamknąć zawór sterujący, obracając pokrętko sterowania z powrotem do pozycji wyłączenia „•”.
- > Odczekać około 30 s, aby umożliwić ulotnienie się gazu nagromadzonego w palniku. W razie potrzeby powtarzać powyższe kroki do momentu pojawienia się płomienia. Płomień powinien pojawić się po 1–2 sekundach.

Rozpalanie urządzenia za pomocą zapalarki do grilla

- > W przypadku uruchamiania zimnego urządzenia można je rozpałcić od góry palnika przed zamontowaniem wybranej powierzchni do gotowania.

- > W przypadku uruchamiania gorącego urządzenia można je rozpałcić, wkładając zapalarkę do grilla przez jeden z otworów wentylacyjnych pod palnikiem, aż znajdzie się ona w jednej linii z palnikiem. NIE WOLNO wkładać zapalarki do grilla przez duży otwór bezpośrednio pod palnikiem.
- > Po włożeniu zapalarki do grilla należy najpierw ją zapalić, a następnie wcisnąć i obrócić pokrętkę sterowania w lewo, aby zapalić palnik gazowy.



WSKAZÓWKA

- Po rozpaleniu urządzenia należy dostosować intensywność płomienia, obracając pokrętkę w prawo, aby zmniejszyć płomień, i w lewo, aby go zwiększyć.
- Podczas gotowania potraw o wysokiej zawartości tłuszczu mogą pojawić się płomienie, jeśli wybrane ustawienie mocy jest zbyt wysokie. W takim przypadku należy zmniejszyć moc, aż płomień wygasną.
- Po zakończeniu użytkowania urządzenia należy upewnić się, że pokrętkę sterowania znajduje się w pozycji wyłączenia „•”, a płomień został zgaszony przed odłączeniem dopływu gazu.

8 Powierzchnie do gotowania z powłoką GreenGrill

Większość powierzchni do gotowania CADAC | Dometic jest pokryta ceramiczną powłoką GreenGrill, która nie zawiera PFOA (kwasu perfluorooktanowego) ani żadnych substancji toksycznych, co pozwala na przygotowywanie zdrowszych potraw.

Przygotowanie powierzchni do gotowania

Przed pierwszym użyciem zaleca się przygotowanie powierzchni do gotowania, aby zapobiec przywieraniu jedzenia.

- > Nałożyć cienką warstwę oleju spożywczego na całą powierzchnię do gotowania i podgrzewać go na średnim ogniu przez 2–3 minuty.
- > Odczekać, aż powierzchnia do gotowania ostygnie, a następnie umyć ją ciepłą wodą z mydłem.
- > Ponownie nałożyć cienką warstwę oleju na powierzchnię do gotowania. Jest teraz gotowa do użycia.

Czyszczenie powierzchni do gotowania

- > Przed zanurzeniem powierzchni do gotowania w wodzie należy odczekać, aż całkowicie ostygną.
- > Powierzchnię do gotowania należy czyścić ciepłą wodą z mydłem i miękką gąbką. Unikać stosowania zmywaków do szorowania.
- > Aby usunąć uporczywe plamy lub osady, przed przystąpieniem do mycia należy namoczyć powierzchnię przez kilka minut w ciepłej wodzie.

Konserwacja

- > Po zakończeniu czyszczenia, przed schowaniem powierzchni do gotowania, zalecamy rozproszanie na niej niewielkiej ilości oleju spożywczego, co zabezpieczy ją przed działaniem powietrza i wilgoci.
- > Większość powierzchni do gotowania jest dostarczana z wygodną torbą do przechowywania. Aby zapobiec zabrudzeniu torby, przed schowaniem w niej naoliwionej powierzchni do gotowania umieść ją w plastikowym worku.

Sposoby przygotowywania jedzenia

- > Grillowanie: grill jest idealny do beztłuszczowego przyrządzania kurczaka, mięsa, ryb lub warzyw.
- > Smażenie: płaska płyta grillowa jest idealna do smażenia dań stir-fry, ryb, boczku, jajek, warzyw oraz naleśników.
- > Gotowanie: przygotowywanie sosów lub gotowanie ryżu i makaronu jest łatwe dzięki odpowiedniemu garnkowi umieszczonemu na podstawie. Należy unikać używania naczyń z uchwytyami z tworzywa sztucznego, ponieważ mogą się one nagrzewać i topić podczas gotowania.

Aksesoria dodatkowe

- > Kamień do pizzy Pro: idealny do przygotowywania pizzy, podplomyków itp. Do pieczenia wymagane jest użycie pokrywy.
- > Patelnia do paelli: wykonana z wysokiej jakości tłoczonego aluminium zapewniającego równomierne rozprowadzanie ciepła, jest idealna do przygotowywania paelli, risotto, dań z makaronu, tradycyjnych śniadań itp.
- > Podstawa na kawiarkę: umożliwi wygodne przygotowywanie kawy w kawiarence lub zaparzaczu.



WSKAZÓWKA

- Powłoka GreenGrill przewodzi ciepło lepiej niż zwykłe powłoki nieprzywierające (PTFE). Dlatego zalecamy używanie zaledwie 75% zwykłego ustawienia mocy.
- Aby uniknąć uszkodzenia powierzchni do gotowania, nie wolno pozostawiać jej na źródle ciepła bez powłoki oleju.
- Zalecamy smażenie na oleju słonecznikowym lub rzepakowym ze względu na ich wysoką temperaturę dymienia. Nie zaleca się stosowania oliwy z oliwek ze względu na jej niższą temperaturę dymienia, która może powodować przywieranie lub przypalanie składników. Wskazówka: przed rozpoczęciem smażenia należy doprowadzić mięso lub ryby do temperatury pokojowej, aby zapobiec przywieraniu.
- Miska i szczotka CADAC | Dometic Soft Soak (sprzedawane oddzielnie) to idealne produkty do czyszczenia powierzchni GreenGrill, pomagające w namaczaniu i usuwaniu uporczywych resztek jedzenia.

9 Czyszczenie urządzenia

- > Aby przedłużyć okres eksploatacji urządzenia, należy je dokładnie wyczyścić po każdym użyciu.
- > Przed przystąpieniem do czyszczenia należy pozostawić urządzenie do całkowitego ostygnięcia.
- > Aby wyczyścić korpus urządzenia, wystarczy przetrzeć go wilgotną ściereczką z dodatkiem niewielkiej ilości detergentu.
- > Nie należy zanurzać urządzenia w wodzie, ponieważ może to spowodować uszkodzenie rurki palnika i nieprawidłowe działanie urządzenia.
- > Nie wolno dopuścić do przedostania się wody do obszaru palników i płomienia pilotującego. Urządzenie należy całkowicie wysuszyć przed użyciem.
- > Nie używać środków czyszczących o właściwościach ściernych, ponieważ mogą one uszkodzić powierzchnie.

- > Do czyszczenia urządzenia nie wolno używać myjki ciśnieniowej ani strumienia wody.



WSKAZÓWKA

W przypadku uporczywych plam można użyć preparatu do czyszczenia grilla CADAC.

10 Przechowywanie

- > Przed schowaniem urządzenia należy odczekać, aż ostygnie, a następnie dokładnie je wyczyścić.
- > Przed odłączeniem od urządzenia źródła zasilania gazem należy upewnić się, że jest ono wyłączone.
- > Nie wolno przechowywać urządzenia z podłączonym źródłem zasilania gazem, ponieważ stwarza to zagrożenie dla bezpieczeństwa.
- > Urządzenie i źródło zasilania gazem należy przechowywać w dobrze wentylowanym miejscu, z dala od materiałów łatwopalnych. Butle najlepiej przechowywać na wolnym powietrzu, nie wolno przechowywać ich w piwnicy ani garażu.

11 Konserwacja i usuwanie usterek

- > Regularne czyszczenie i konserwacja wydłużą żywotność urządzenia i zmniejszą prawdopodobieństwo wystąpienia problemów.
- > Aby zapewnić wydajną pracę urządzenia, zaleca się jego serwisowanie co 12 miesięcy w centrum serwisowym.
- > Urządzenie może być serwisowane wyłącznie przez upoważnioną osobę.
- > Należy regularnie sprawdzać szczelność wszystkich połączeń oraz za każdym razem, gdy butla gazowa jest napełniana lub podłączana.
- > Oczyszczyć otwory palnika w przypadku zalania.

Usuwanie usterek

- > Zalecamy czyszczenie lub wymianę dyszy co sześć miesięcy w celu utrzymania wydajnego działania.
- > Jeśli urządzenie działa nieprawidłowo po przechowywaniu, a kontrole nie pozwoliły zidentyfikować problemu, może to oznaczać, że dysza jest zablokowana. Zablokowanie dyszy objawia się słabszym, żółtawym płomieniem lub jego całkowitym brakiem. W takim przypadku należy wymontować i dokładnie wyczyścić dyszę, aby usunąć wszelkie zanieczyszczenia.

- > Wymontować dyszę za pomocą standardowych narzędzi i wydmuchać zanieczyszczenia. Można też kupić nowe dysze w lokalnym sklepie. Nie należy podejmować prób mechanicznego czyszczenia dyszy.

- Informacji o przyczynie reklamacji lub opisu wady

Uwaga: Samodzielne lub nieprofesjonalne wykonywanie napraw może negatywnie wpływać na bezpieczeństwo i prowadzić do utraty gwarancji.

Wymiana zablokowanej dyszy

Urządzenie jest wyposażone w dyszę o określonym rozmiarze, która reguluje prawidłową ilość gazu. Zablokowanie otworu dyszy może spowodować osłabienie lub zgaśnięcie płomienia. Należy unikać czyszczenia dyszy za pomocą szpilki lub podobnego narzędzia, ponieważ może to spowodować jej uszkodzenie, co stanowi zagrożenie dla bezpieczeństwa użytkownika urządzenia. Aby wymienić dyszę, należy wykonać następujące czynności:

rys. 7 na stronie 6

1. Zdemontować miskę ociekową.
2. Wykręcić trzy śruby z płytki osłony termicznej i wymontować osłonę termiczną.
3. Wykręcić dwie śruby z zespołu palnika i zdjąć go, uważając, aby nie uszkodzić podłączonego przewodu zapalnika.
4. Do demontażu dyszy należy użyć odpowiedniego klucza; unikać używania szczypiec, ponieważ może to spowodować uszkodzenie dyszy. Przykręcić nową dyszę do zaworu. Nie dokręcać jej zbyt mocno, aby uniknąć uszkodzenia.

12 Części zamienne

rys. 8 na stronie 7



WSKAZÓWKA Należy zawsze używać oryginalnych części zamiennych. Aby uzyskać pomoc, należy skontaktować się z lokalnym dystrybutorem.

13 Gwarancja

Obowiązuje ustawowy okres gwarancji. W przypadku stwierdzenia uszkodzenia produktu należy skontaktować się z jego sprzedawcą lub z oddziałem producenta w danym kraju. (Patrz www.cadacinternational.com/support)

W celu naprawy lub realizacji gwarancji konieczne jest przesłanie wraz z produktem następujących dokumentów:

- Kopii rachunku z datą zakupu

14 Dane techniczne

Tabela 12: Dane techniczne

Kraj użytkowania	BE, CH, CY, CZ, ES, FR, GB, GR, IE, IT, LT, LU, LV, PT, SK, SI		PL	BE, CY, DK, EE, FR, FI, HU, IT, LT, NL, NO, SE, SI, SK, RO, HR, TR, BG, IS, LU, MT, ZA	AT, CH, DE, SK
Kategoria urządzenia	I _{3+(28-30/37)}		I _{3B/P (37)}	I _{3B/P (30)}	I _{3B/P (50)}
Dozwolone gazy	Butan	Propan	Butan, propan lub ich mieszanka		
Ciśnienie gazu	28–30 mbar	37 mbar	37 mbar	28–30 mbar	50 mbar
Numer dyszy	0.68		0.65	0.68	0.61
Zużycie nominalne	145 g/godz.				
Nominalne obciążenie cieplne brutto	2 kW		2 kW	2 kW	2 kW

Nazwy państw i skróty

AT = Austria	BE = Belgia	BG = Bułgaria	CH = Szwajcaria	CY = Cypr
CZ = Czechy	DE = Niemcy	DK = Dania	EE = Estonia	ES = Hiszpania
FI = Finlandia	FR = Francja	GB = Wielka Brytania	GR = Grecja	HR = Chorwacja
HU = Węgry	IE = Irlandia	IS = Islandia	IT = Włochy	LT = Litwa
LU = Luksemburg	LV = Łotwa	MT = Malta	NL = Holandia	NO = Norwegia
PL = Polska	PT = Portugalia	RO = Rumunia	SE = Szwecja	SI = Słowenia
SK = Słowacja	TR = Turcja			

Slovensky

1	Dôležité oznámenia.....	111
2	Vysvetlenie symbolov.....	111
3	Bezpečnostné pokyny.....	111
4	Úniky plynu.....	113
5	Zoznam komponentov.....	113
6	Zostavenie spotrebiča.....	114
7	Obsluha spotrebiča.....	115
8	Varné plochy GreenGrill.....	115
9	Čistenie spotrebiča.....	116
10	Storage.....	116
11	Údržba a riešenie problémov.....	117
12	Náhradné diely.....	117
13	Záruka.....	117
14	Technické údaje.....	118

1 Dôležité oznámenia

Dôkladne si prečítajte tento návod a dodržiavajte všetky pokyny, usmernenia a varovania uvedené v tomto návode k výrobku, aby bolo zaručené, že výrobok bude vždy správne nainštalovaný, používaný a udržiavaný. Tento návod **MUSÍ** zostať priložený k výrobku.

Používaním tohto výrobku týmto potvrdzujete, že ste si dôkladne prečítali všetky pokyny, usmernenia a varovania a že rozumiete a súhlasíte s dodržiavaním všetkých uvedených podmienok. Súhlasíte, že tento výrobok budete používať iba v súlade so zamýšľaným použitím a v súlade s pokynmi, usmerneniami a varovaniami uvedenými v tomto návode k výrobku, ako aj v súlade so všetkými platnými zákonmi a nariadeniami. V prípade, že si neprečítate a nebudete sa riadiť pokynmi a varovaniami uvedenými v tomto návode, môže mať za následok vaše poranenie alebo poranenie iných osôb, poškodenie vášho výrobku alebo poškodenie majetku v jeho blízkosti. Tento návod na obsluhu výrobku vrátane pokynov, usmernení a varovaní, a súvisiaca dokumentácia môže podliehať zmenám a aktualizáciám. Najaktuálnejšie informácie o výrobku nájdete na adrese documents.domestic.com.

2 Vysvetlenie symbolov

Signálne slovo identifikuje bezpečnostné správy a správy o škodách na majetku a tiež označuje stupeň alebo úroveň závažnosti nebezpečenstva.



NEBEZPEČENSTVO!

Označuje nebezpečnú situáciu, ktorej následkom je smrť alebo vážne zranenie, ak sa jej nezabráni.



VÝSTRAHA!

Označuje nebezpečnú situáciu, ktorej následkom môže byť smrť alebo vážne zranenie, ak sa jej nezabráni.



UPOZORNENIE!

Označuje nebezpečnú situáciu, ktorej následkom môže byť malé alebo stredne ťažké zranenie, ak sa jej nezabráni.



POZOR!

Označuje situáciu, ktorej následkom môže byť poškodenie majetku, ak sa jej nezabráni.



POZNÁMKA Dopĺňujúce informácie týkajúce sa obsluhy produktu.

3 Bezpečnostné pokyny

- > Pozorne si prečítajte tieto pokyny, aby ste sa zoznámili so spotrebičom. Ak nebudete postupovať podľa týchto pokynov, všetky záruky stratia platnosť. Uschovajte si tieto pokyny pre budúce použitie.

Základy bezpečnosti

- > Nedodržanie týchto varovaní môže mať za následok smrť alebo vážne zranenie.



VÝSTRAHA! Nebezpečenstvo oxidu uhoľnatého

- > Tento výrobok nikdy nepoužívajte v interiéri. Pri procese spaľovania skvapalneného plynu vzniká oxid uhoľnatý, ktorý sa hromadí v uzavretom priestore.
- > Tento plynový spotrebič spotrebúva vzduch (kyslík). Uistite sa, že sa spotrebič používa v dobre vetranom priestore.
- > Zabezpečte dodatočné vetranie, ak je do prostredia pridaných viac plynových spotrebičov.
- > Nepoužívajte tento výrobok v nevetraných priestoroch, ako sú uzavreté miestnosti, stany, prístrešky, motorové vozidlá, obytné vozidlá, karavany, lode, jachty, člny a kabíny nákladných vozidiel/kamiónov.
- > **Používajte iba vonku.**



VÝSTRAHA! Nebezpečenstvo výbuchu

- > Neupravujte tento spotrebič. Používajte ho len podľa určenia.
- > Opravy tohto produktu smú vykonávať len kvalifikovaní odborníci. Nevhodné opravy môžu spôsobiť vážne riziko.



VÝSTRAHA! Nebezpečenstvo požiaru

- > Nenechávajte tento spotrebič bez dozoru, keď je horúci alebo keď sa používa.

- > Majte k dispozícii hasiaci prístroj alebo iné prostriedky vhodné na uhasenie plameňa v prípade núdze.

Bezpečnosť počas používania

 obr. 1 na strane 2



NEBZPEČENSTVO! Nebezpečenstvo výbuchu

- > Nepoužívajte tento spotrebič, ak netesní, je poškodený alebo nefunguje správne.
- > Spotrebič nepoužívajte, ak má poškodené alebo opotrebované tesnenia.



UPOZORNENIE! Nebezpečenstvo popálenia

- > Prístupné časti a diely môžu byť veľmi horúce. Nedovoľte deťom, aby sa priblížili.
- > Pri manipulácii s horúcimi súčasťami používajte ochranné rukavice.
- > Nenoste voľný odev alebo si zopnite dlhé vlasy, keď zapalujete horák alebo používate tento výrobok.
- > Nepribližujte sa rukami, tvárou a vlasmi k horáku.
- > Starostlivo sledujte činnosti a prostredie okolo výrobku, aby ste predišli popáleninám alebo iným poraneniam.
- > Spotrebič vždy používajte na pevnom a rovnom povrchu. Uistite sa, že zostavený produkt je stabilný a nekýva sa.
- > Pri používaní spotrebiča sa uistite, že podpera hrnca/varných plôch sú správne umiestnené.
- > Tento spotrebič počas používania nepremiestňujte.
- > Nedovoľte deťom a domácim miláčikom, aby sa priblížili k výrobku.
- > Používanie alkoholu alebo liekov na predpis alebo bez predpisu môže zhoršiť vašu schopnosť správne zostaviť alebo bezpečne obsluhovať tento spotrebič.
- > Nechajte tento výrobok dostatočne vychladnúť, skôr než sa ho dotknete holými rukami.



UPOZORNENIE! Nebezpečenstvo požiaru

- > Tento spotrebič nesmie byť počas používania v blízkosti horľavých materiálov. Minimálne bezpečné vzdialenosti sú nasledovné: 120 cm nad spotrebičom a 60 cm vzadu a po stranách.
- > Na tento spotrebič alebo proti nemu neumiestňujte žiadne iné predmety, ako sú hrnce a panvice.
- > Pri varení v hrnci alebo na panvici používajte iba odporúčanú veľkosť hrnca s priemerom 150 mm až 300 mm.
- > Neskladujte chemikálie, horľavé materiály alebo spreje v blízkosti tohto spotrebiča.
- > V prípade požiaru okamžite zatvorte prívod plynu.

Bezpečnostné opatrenia pre plyn a hadice

- > Tento spotrebič používajte iba so schválenou hadicou a regulátorom.



NEBZPEČENSTVO! Nebezpečenstvo výbuchu

- > Tento spotrebič používajte iba so schválenou hadicou a regulátorom.
- > Regulátor žiadnym spôsobom nemeňte ani neupravujte.
- > Spotrebič nepoužívajte, ak je hadica poškodená alebo opotrebovaná. Pred každým použitím a pred pripojením k prívodu plynu skontrolujte hadicu, či nie je poškodená.
- > Plyn sa do spotrebiča privádza hadicou a regulátorom pripojeným k plynovej fľaši s hmotnosťou nepresahujúcou 9 kg a v súlade s platnými miestnymi predpismi alebo do zariadenia CADAC Dometic Power Pak, čo je jednotka, do ktorej sa dajú uložiť dva alebo viacero plynových zásobníkov. Mohlo by byť nebezpečné pokúšať sa namontovať iné typy plynových fliaš alebo plynových zásobníkov.
- > Používa sa len s plynovou fľašou nepresahujúcou výšku 500 mm (bez regulátora) a šírku 350 mm.
- > Prívod plynu pripojte na dobre vetranom mieste, najlepšie vonku, mimo zdrojov vznietenia, ako je otvorený plameň a oheň, a mimo dosahu iných osôb.
- > Udržujte prívod plynu mimo dosahu tepla a plameňa. Neumiestňujte ho na sporák alebo iný horúci povrch.

- > Pri pripájaní hadice k spotrebiču nasmerujte hadicu preč od telesa spotrebiča. Hadicu neskrúčajte ani nestláčajte.
- > Počas používania udržiavajte prívod plynu vo vzpriamenej polohe, aby sa zabezpečil správny odber paliva. Ak tak neurobite, môže dôjsť k úniku kvapaliny, čo vedie k vzniku nebezpečných prevádzkových podmienok.
- > Neodpájajte prívod plynu, keď je tento spotrebič v prevádzke.
- > Prívod plynu musí byť odpojený od tohto spotrebiča po použití alebo pri uskladnení.

4 Úniky plynu

Úniky plynu z poškodených hadíc alebo nevhodných spojov môžu vytvoriť nebezpečné podmienky a je potrebné ich okamžite riešiť. Je dôležité, aby boli všetky plynové prípojky správne namontované, aby sa zabránilo únikom plynu.



NEBEZPEČENSTVO! Nebezpečenstvo výbuchu

- > Ak zacítite plyn, okamžite vypnite plyn na ventilu plynovej fľaše, ako aj na spotrebiči otočením ovládacieho gombíka v smere hodinových ručičiek do polohy „OFF“ (VYP.).
- > Zahaste všetky otvorené plamene.
- > Premiestnite spotrebič na miesto bez plameňov a vykonajte skúšku úniku plynu. Táto skúška by sa mala vykonať vonku v dobre vetranom priestore mimo otvoreného ohňa alebo zdrojov zapálenia.
- > Na kontrolu úniku plynu nikdy nepoužívajte otvorený plameň, použite mydlovú vodu.

Ako vykonať skúšku úniku plynu

Skúška úniku plynu sa musí vykonať pri každej montáži hadice a regulátora na spotrebič a prívod plynu a pri každej výmene prívodu plynu.



NEBEZPEČENSTVO! Neidentifikovanie a nekontrolovanie úniku plynu môže mať za následok potenciálne zranenie alebo smrť.

- > Na vykonanie skúšky úniku plynu naneste mydlovú vodu na všetky spojovacie body

pozdlž plynovej hadice, t. j. na pripojenie medzi plynovou hadicou a spotrebičom a na pripojenie medzi regulátorom a prívodom plynu.

- > Pomaly otvorte ventil plynovej fľaše, aby plyn mohol začať prúdiť.
- > Ak sa na niektorom mieste pripojenia tvoria bubliny, dochádza k úniku plynu.
- > Okamžite vypnite plyn a odpojte prívod plynu zo spotrebiča. Skontrolujte, či sú všetky tesnenia na svojom mieste a v dobrom stave. Vymeňte všetky tesnenia, ktoré vykazujú známky poškodenia.
- > Opätovne pripojte prívod plynu k spotrebiču a vykonajte skúšku úniku plynu.
- > Ak únik plynu pretrváva, vráťte produkt do autorizovaného servisu na opravu.

Stabilita plameňa

Pri používaní spotrebiča zaistíte stabilitu plameňa.



VÝSTRAHA! Nekontrolované spätné svetlo (spätne horenie plameňa vo vnútri horáka alebo krytu dýzy) môže viesť k vzniku nebezpečných prevádzkových podmienok.

- > V prípade spätného svetla okamžite vypnite prívod plynu tak, že najskôr zatvoríte ventil plynovej fľaše a potom otočíte ovládací gombík spotrebiča do polohy „OFF“ (VYP.). Po zhasnutí plameňa odstráňte regulátor a skontrolujte stav tesnenia; v prípade potreby ho vymeňte.
- > Znova pripojte prívod plynu a spotrebič znova zapáľte.
- > Ak sa na plameni stále vytvára spätné svetlo, vráťte produkt do autorizovanému servisu na posúdenie.

5 Zoznam komponentov

 obr. 2 na strane 3

Dielec	Opis
①	Domed lid / Pot
②	Barbecue griddle
③	Flat griddle
④	Pan support
⑤	Drip pan

Dielec	Opis
⑥	Burner
⑦	Control knob
⑧	Igniter
⑨	Quick release connection
⑩	Flat lid
⑪	BBQ 2 Plancha 30
⑫	Paella Pan 30

Komponenty modelu

Kombinácie modelov pre tento rad sú nasledovné:

	6545-10	6545-20	6545-25
1	X	X	X
2	X	X	X
3	X		X
4	X	X	X
5	X	X	X
6	X	X	X
7	X	X	X
8	X	X	X
9			X
10			X
11			
12			

6 Zostavenie spotrebiča

 obr. 3 na strane 4



VÝSTRAHA! Základy bezpečnosti

Nožičky sú odpružené. Otváranie a zatváranie nožičiek sa musí vykonávať kontrolovaným spôsobom, aby sa zabránilo zraneniu osôb alebo poškodeniu vášho spotrebiča.

Otvorenie nožičiek

- > Odstráňte zo spotrebiča všetky voľné časti. Otočte jednotku hore nohami a zdvihnite každú nožičku jednotlivo. Keď je nožička správne umiestnená, budete počuť „cvaknutie“.

Sklopenie nožičiek

- > Pevne uchopíte nožičku a zatlačíte uvoľňovaciú sponu nadol (M). Zatlačíte nožičku dovnútra do zatvorenej polohy. Toto sa musí vykonať postupne, aby sa optimalizoval priestor pre balenie, začinite prednou ľavou nohou (1), potom nasleduje predná pravá noha (2) a nakoniec zadná noha (3).

Pripojenie prívodu plynu

 obr. 4 na strane 4

	A	B	C
EN	Regulátor	Tesnenie	Ovládací ventil

- > Pred pripojením spotrebiča k prívodu plynu sa uistite, že gumové tesnenie na regulátore je na svojom mieste a v dobrom stave.
- > Pred pripojením schválenej hadice a regulátora k spotrebiču skontrolujte, či je ovládací gombík spotrebiča v polohe OFF (VYP.) „•“.
- > Z otvoru prívodu plynu vyfúkajte všetok prach, aby sa zabránilo možnému zablokovaniu vstrekovača.
- > Zaisťte, aby bol prívod plynu namontovaný na dobre vetranom mieste mimo dosahu akéhokoľvek zdroja vznietenia, ako je otvorený plameň, a mimo dosahu iných ľudí.
- > Počas pripájania alebo výmeny prívodu plynu nefajčite.
- > Uistite sa, že plynová fľaša je vždy uložená vo zvislej polohe. Pripojte regulátor k plynovej fľaši a rukou utiahnite, aby ste zaistili pripojenie.

Pripojenie hadice k spotrebiču

 obr. 5 na strane 5

- > Pripojte hadicu k spotrebiču. Utiahnite, aby sa zabezpečil o pripojenie. Hadicu neskrúčajte ani nestláčajte. Zabezpečte, aby bola vedená preč od telesa plynového spotrebiča, aby sa predišlo znehodnoteniu/poškodeniu hadice teplom.
- > Zabezpečte, aby sa vytvorilo úplné plynové tesnenie vykonaním skúšky úniku plynu tak, ako je to popísané v kapitole Úniky plynu. Ak nemôžete odstrániť únik plynu, spotrebič nepoužívajte. Ak máte pochybnosti, obráťte sa na najbližšieho predajcu.
- > Všetky tieto bezpečnostné kontroly vykonajte pri každom pripojení spotrebiča k prívodu plynu.

Odpojenie a zmena prívodu plynu

- > Po použití otočte ovládací gombík spotrebiča do polohy OFF (VYP.) „•“ a zatvorte prívod plynu.

- > Keď potrebujete vymeniť prázdnu fľašu, uistite sa, že je plynový ventil na plynovej fľaši zatvorený.
- > Odstráňte regulátor z prázdnej fľaše a pripevnite ho na plnú fľašu. Postup pripojenia prívodu plynu nájdete vo vyššie uvedených pokynoch.
- > Postupujte rovnako opatrne a vykonajte kontrolné postupy ako pri montáži novej plynovej fľaše.
- > Počkejte približne 30 s, aby unikol všetok nahromadený plyn z horáka. V prípade potreby zopakujte vyššie uvedený postup, kým sa plameň nezapáli. Plameň by sa mal za normálnych okolností zapáliť počas jednej až dvoch sekúnd.

Zapálenie spotrebiča pomocou zapalovača grilu

- > Pri zapálení studeného spotrebiča ho môžete zapáliť z hornej časti horáka pred umiestnením požadovaného varného povrchu.
- > Pri zapálení horúceho spotrebiča je možné ho zapáliť prestrčením zapalovača grilu cez jeden z vetracích otvorov pod horákom, kým nebude v jednej rovine s horákom. **NEUMIESTŇUJTE** zapalovač grilu cez veľký otvor priamo pod horák.
- > S nasadeným zapalovačom grilu najskôr zapáľte zapalovač a až potom zatlačte a otočte ovládací gombík proti smeru hodinových ručičiek, aby sa zapálil plynový horák.

Ako skontrolovať, či je vaša plynová fľaša prázdna

- > Hmotnosť prázdnej plynovej fľaše je zvyčajne vyrazená na jej hrdle alebo prstenci nožičky. Vázenie fľaše ukazuje aktuálnu hladinu plynu. Ak sa hmotnosť zhoduje s vyrazenou hmotnosťou, fľaša je prázdna. Rozdiel medzi aktuálnou hmotnosťou a vyrazenou hmotnosťou udáva zostávajúce množstvo plynu.

7 Obsluha spotrebiča

- > Pred prvým použitím sa uistite, že sú zo spotrebiča odstránené všetky ochranné obaly a plasty.
- > Pri každom použití sa uistite, že sú všetky diely v dobrom prevádzkovom stave. Pri každom pripojení alebo výmene prívodu plynu vykonajte skúšku tesnosti plynu podľa popisu v kapitole Úniky plynu.
- > Po dlhšom skladovaní skontrolujte, či sa v spotrebiči nenachádza hmyz, nečistoty a pavučiny, ktoré by mohli ovplyvniť prietok plynu.
- > Tento spotrebič používajte iba na pevnom a rovnom povrchu.
- > Počas používania spotrebič nepremiestňujte. Toto je nebezpečný postup a môže spôsobiť vzplanutie.
- > Pri zapalovaní spotrebiča odstráňte všetky varné povrchy.
- > Používajte iba varné nádoby s priemerom 150 mm až 300 mm.

Zapálenie spotrebiča pomocou zapalovača

obr. 6 na strane 5

- > Ak chcete zapáliť plynový horák, zatlačte a otočte ovládací gombík proti smeru hodinových ručičiek na najvyššie nastavenie a súčasne stlačte tlačidlo zapalovača.
- > Ak sa plyn nezapáli pri prvej iskre, pred opätovným pokusom o zapálenie otočte ovládací gombík späť do polohy OFF (VYP.) „•“.
- > Ak sa plyn nezapáli počas prvých dvoch až troch sekúnd, zatvorte ovládací ventil otočením ovládacieho gombíka späť do polohy OFF (VYP.) „•“.



POZNÁMKA

- Keď je spotrebič zapálený, nastavte intenzitu plameňa otáčaním ovládacieho gombíka v smere hodinových ručičiek na zmenšenie plameňa a proti smeru hodinových ručičiek na zväčšenie plameňa.
- Pri varení jedla s vysokým obsahom tuku môže dôjsť k vzplanutiu, ak je zvolený stupeň varenia príliš vysoký. Ak sa tak stane, znížte teplotu, kým horenie neprestane.
- Po použití sa pred odpojením prívodu plynu uistite, že je ovládací gombík na vašom spotrebiči v polohe OFF (VYP.) „•“ a že plameň zhasol.

8 Varné plochy GreenGrill

Väčšina varných plôch CADAC | Dometic má nepriľnavý keramický povrch GreenGrill, ktorý neobsahuje PFOA a je netoxický, čo umožňuje zdravšie varenie.

Príprava varnej plochy

Pred prvým použitím sa odporúča pripraviť varnú plochu, aby sa jedlo neprilepilo.

- > Naneste tenkú vrstvu oleja na varenie na celý povrch varenia a zahrievajte ho na strednom ohni 2 - 3 minúty.
- > Pred umytím teplou mydlovou vodou nechajte varný povrch vychladnúť.

- > Znovu naneste tenkú vrstvu oleja na varný povrch. Teraz je pripravený na použitie.

Čistenie varného povrchu

- > Pred ponorením do vody vždy nechajte varné plochy úplne vychladnúť.
- > Varný povrch očistíte teplou mydlovou vodou a mäkkou špongiou. Vyhnite sa používaniu drôteniek.
- > Na uvoľnenie odolných škvŕn alebo zvyškov namočte varný povrch na niekoľko minút do teplej vody, než sa ho pokúsíte umyť.

Údržba

- > Po vyčistení odporúčame pred uskladnením natrieť na varný povrch malé množstvo oleja, aby bol povrch chránený pred vzduchom a vlhkosťou.
- > Väčšina varných plôch sa dodáva s praktickým úložným vreckom. Pred uložením do vrečka vložte naolejovaný varný povrch do plastového vrečka, aby zostal čistý a bez akýchkoľvek zvyškov.

Spôsoby varenia

- > Grilovanie: BBQ gril je ideálny na grilovanie kurčiat, mäsa, rýb alebo zeleniny bez tuku.
- > Vyprážanie: Plochá grilovacia doska je ideálna na vyprážanie hranolčiek, rýb, slaniny, vajec a zeleniny a na prípravu palacínok.
- > Varenie: Príprava omáčok alebo varenie ryže a cestovín je jednoduché s použitím vhodného hrnca alebo panvice umiestnenej na podpere panvice. Nepoužívajte riad s plastovými rukoväťami, pretože sa môžu počas varenia zohriať a roztopiť sa.

Voliteľné príslušenstvo

- > Kameň na pizzu Pizza Stone Pro: Ideálny na prípravu pizze, plochého chleba atď. Použitie kupolovitého krytu je potrebné na vytvorenie efektu „peče“ na pečenie.
- > Panvica na paellu: Panvica na paellu je vyrobená z vysoko kvalitného lisovaného hliníka pre rovnomerné rozloženie tepla a je ideálna na prípravu paelly, rizota, cestovín, tradičných raňajok atď.
- > Stojan na kávovú kanvicu: Poskytuje perfektnú varnú platformu pre váš kávovar alebo rýchlovarnú kanvicu.



POZNÁMKA

- Povrchová vrstva GreenGrill vedie teplo lepšie ako bežné (PTFE) nepríľnavé povrchy. Preto odporúčame používať iba 75 % zvyčajného nastavenia výkonu.
- Aby ste zabránili poškodeniu varného povrchu, nikdy ho nenechávajte na zdroji tepla bez vrstvy oleja.
- Odporúčame vyprážať na slnečnicovom alebo repkovom oleji kvôli ich vysokým bodom horenia. Použitie olivového oleja sa neodporúča kvôli jeho nižšiemu bodu horenia, ktorý môže spôsobiť prilepenie alebo pripálenie ingrediencií. Tip: Mäso alebo ryby pred vyprážením nechajte zohriať na izbovú teplotu, aby sa neprilepili.
- Kešky CADAC | Dometic Soft Soak a Soft Soak Brush (predávajú sa samostatne) sú ideálne čistiace prostriedky na varné plochy GreenGrill, ktoré pomáhajú pri namáčaní a odstraňovaní odolných zvyškov jedla.

9 Čistenie spotrebiča

- > Aby ste predĺžili životnosť vášho spotrebiča, po každom použití ho dobre vyčistite.
- > Pred čistením nechajte spotrebič vychladnúť.
- > Ak chcete vyčistiť teleso spotrebiča, jednoducho ho utrite vlhkou handričkou s trochou čistiaceho prostriedku podľa potreby.
- > Neponárajte spotrebič do vody, pretože by sa mohla poškodiť hadica horáka, čo by mohlo spôsobiť poruchu spotrebiča.
- > Udržujte vodu mimo dosahu horákov a oblasti zapalovacieho horáka. Pred použitím spotrebič úplne vysušte.
- > Nepoužívajte abrazívne čistiace prostriedky, pretože môžu poškodiť povrchy.
- > Na čistenie spotrebiča nepoužívajte vysokotlakový parný čistič ani prúd vody.



POZNÁMKA

Na odolné škvŕny môžete použiť čistič na rúry CADAC.

10 Storage

- > Pred uskladnením nechajte jednotku vychladnúť a dobre ju vyčistite.

- > Pred odpojením od spotrebiča sa uistite, že je vypnutý prívod plynu.
- > Nikdy neskladujte spotrebič s pripojeným prívodom plynu, je to nebezpečné.
- > Spotrebič a prívod plynu skladujte na dobre vetranom mieste mimo dosahu horľavín. Prednostne skladujte fľaše vonku, nikdy nie v pivnici alebo garáži.

11 Údržba a riešenie problémov

- > Pravidelné čistenie a údržba predlží životnosť vášho spotrebiča a zníži pravdepodobnosť výskytu problémov.
- > Na zabezpečenie efektívnej prevádzky odporúčame každých 12 mesiacov vykonať servis vášho spotrebiča u servisného zástupcu.
- > Tento spotrebič môže opravovať iba oprávnená osoba.
- > Pravidelne kontrolujte tesnosť všetkých spojov a vždy, keď sa plynová fľaša dopĺňa alebo pripája.
- > Vyčistite porty horáka v prípade rozliatia.

Odstraňovanie porúch

- > Odporúčame čistiť alebo vymeniť vstrekovače každých šesť mesiacov, aby sa zachovala efektívna prevádzka.
- > Ak spotrebič po uskladnení ne funguje normálne a kontroly neodhalia žiadny problém, vstrekovač môže byť zablokovaný. Zablokovaný vstrekovač sa prejavuje slabším žltkastým plameňom alebo žiadnym plameňom. V takýchto prípadoch vyberte a dôkladne vyčistite vstrekovač, aby ste odstránili všetky cudzie predmety.
- > Odstráňte vstrekovač pomocou štandardných nástrojov a vyfúkajte všetky nečistoty. Prípadne si kúpte nové vstrekovače v miestnej predajni. Nepokúšajte sa vstrekovač mechanicky čistiť.

Výmena zablokovaného vstrekovača

Váš spotrebič je vybavený vstrekovačom špecifickej veľkosti na reguláciu správneho množstva plynu. Ak je otvor vstrekovača zablokovaný, môže to spôsobiť slabý plameň alebo žiadny plameň. Nečistite vstrekovač špendlíkom alebo podobným prostriedkom, pretože to môže poškodiť vstrekovač, čo predstavuje bezpečnostné riziko pre spotrebič. Ak chcete vymeniť vstrekovač, postupujte nasledovne:

 **obr. 7** na strane 6

1. Odstráňte misku na tuk.

2. Odstráňte tri skrutky na doske tepelného štítu a odstráňte tepelný štít.
3. Odstráňte dve skrutky na zostave horáka a vyberte ju, pričom dávajte pozor na to, aby ste nepoškodili pripojený drôt zapalovača.
4. Na odstránenie vstrekovača použite vhodný kľúč; nepoužívajte kliešte, pretože môžu poškodiť vstrekovač. Naskrutkujte nový vstrekovač do ventilu a dávajte pozor, aby ste ho príliš neutiahli, aby ste zabránili poškodeniu.

12 Náhradné diely

 **obr. 8** na strane 7



POZNÁMKA Vždy používajte originálne náhradné diely. Požiadajte o pomoc miestneho dodávateľa.

13 Záruka

Platí zákonom stanovená záručná lehota. Ak je produkt chybný, obráťte sa na svojho predajcu alebo pobočku výrobcu vo vašej krajine. (pozrite si www.cadacinternational.com/support)

Ak žiadate o vybavenie opravy alebo nárokov vyplývajúcich zo záruky, k zaslanému produktu musíte priložiť nasledujúce dokumenty:

- kópiu faktúry s dátumom kúpy,
- dôvod reklamácie alebo opis chyby.

Upozorňujeme Vás, že samooprava alebo neodborná oprava môže mať za následok ohrozenie bezpečnosti a zánik záruky.

14 Technické údaje

Tabuľka 13: Technické údaje

Krajina použitia	BE, CH, CY, CZ, ES, FR, GB, GR, IE, IT, LT, LU, LV, PT, SK, SI		PL	BE, CY, DK, EE, FR, FI, HU, IT, LT, NL, NO, SE, SI, SK, RO, HR, TR, BG, IS, LU, MT, ZA	AT, CH, DE, SK
Kategória spotrebiča	I _{3+(28-30)/37}		I _{3B/P (37)}	I _{3B/P (30)}	I _{3B/P (50)}
Povolené plyny	Bután	Propán	Bután, propán alebo ich zmes		
Tlak plynu	28 - 30 mbar	37 mbar	37 mbar	28 - 30 mbar	50mbar
Číslo dýzy	0.68		0.65	0.68	0.61
Nominálne využitie	145 g/hod.				
Hrubý nominálny tepelný príkon	2kW		2kW	2kW	2kW

Názvy krajín a skratky

AT = Rakúsko	BE = Belgicko	BG = Bulharsko	CH = Švajčiarsko	CY = Cyprus
CZ = Česká republika	DE = Nemecko	DK = Dánsko	EE = Estónsko	ES = Španielsko
FI = Fínsko	FR = Francúzsko	GB = Veľká Británia	GR = Grécko	HR = Chorvátsko
HU = Maďarsko	IE = Írsko	IS = Island	IT = Taliansko	LT = Litva
LU = Luxembursko	LV = Lotyšsko	MT = Malta	NL = Holandsko	NO = Nórsko
PL = Poľsko	PT = Portugalsko	RO = Rumunsko	SE = Švédsko	SI = Slovinsko
SK = Slovensko	TR = Turecko			

Čeština

1	Důležité poznámky.....	119
2	Vysvětlení symbolů.....	119
3	Bezpečnostní pokyny.....	119
4	Únik plynu.....	121
5	Seznam součástí.....	121
6	Sestavení přístroje.....	122
7	Obsluha přístroje.....	123
8	Varné povrchy GreenGrill.....	123
9	Čištění přístroje.....	124
10	Skladování.....	124
11	Údržba a řešení problémů.....	125
12	Náhradní díly.....	125
13	Záruka.....	125
14	Technické údaje.....	126

1 Důležité poznámky

Pečlivě si prosím přečtěte a dodržujte všechny pokyny, směrnice a varování obsažené v tomto návodu k výrobku, abyste měli jistotu, že výrobek budete vždy správně instalovat, používat a udržovat. Tyto pokyny MUSÍ být uschovány v blízkosti výrobku.

Používáním výrobku tímto potvrzujete, že jste si pečlivě přečetli všechny pokyny, směrnice a varování a že rozumíte podmínkám uvedeným v tomto dokumentu a souhlasíte s nimi. Souhlasíte s používáním tohoto výrobku pouze k určenému účelu a použití a v souladu s pokyny, směrnici a varováními uvedenými v tomto návodu k výrobku a v souladu se všemi příslušnými zákony a předpisy. Pokud si nepřefčtete a nebudete dodržovat zde uvedené pokyny a varování, může to vést ke zranění vás i ostatních, poškození vašeho výrobku nebo poškození jiného majetku v okolí. Tento návod k výrobku, včetně pokynů, směrnic a varování a související dokumentace může být předmětem změn a aktualizací. Aktuální informace o výrobku naleznete na adrese documents.domestic.com.

2 Vysvětlení symbolů

Signální slovo označuje bezpečnostní zprávy a zprávy o škodách na majetku a také označuje stupeň nebo úroveň závažnosti nebezpečí.



NEBEZPEČÍ!

Označuje nebezpečnou situaci, která, pokud se jí nezabrání, bude mít za následek smrt nebo vážné zranění.



VÝSTRAHA!

Označuje nebezpečnou situaci, která, pokud se jí nezabrání, může mít za následek smrt nebo vážné zranění.



UPOZORNĚNÍ!

Označuje nebezpečnou situaci, která, pokud se jí nezabrání, může mít za následek lehké nebo středně těžké zranění.



POZOR!

Označuje nebezpečnou situaci, která, pokud se jí nezabrání, může mít za následek majetkové škody.



POZNÁMKA Doplnující informace týkající se obsluhy výrobku.

3 Bezpečnostní pokyny

- > Přečtěte si pozorně tyto pokyny, abyste se seznámili se spotřebičem. Pokud nebudete postupovat podle těchto pokynů, všechny záruky přestanou být platné. Uschovejte si tyto pokyny pro budoucí použití.

Základní bezpečnost

- > Nedodržení těchto varování může mít za následek smrt nebo vážné zranění.



VÝSTRAHA! Nebezpečí spojené s oxidem uhelnatým

- > Tento výrobek nikdy nepoužívejte v interiéru. Při spalování zkapalněného plynu vzniká oxid uhelnatý, který se hromadí uvnitř uzavřených prostor.
- > Tento plynový spotřebič spotřebovává vzduch (kyslík). Používejte přístroj na dobře větraném místě.
- > Zajistěte dodatečné větrání, pokud je do prostředí přidáno více plynových spotřebičů.
- > Přístroj nepoužívejte v nevětraných prostorech, jako jsou např. uzavřené místnosti, stany, předstany, motorová vozidla, obytné vozy, karavany nebo interiéry plavidel, jacht, člunů a kabiny nákladních vozidel.
- > **Používejte pouze venku.**



VÝSTRAHA! Nebezpečí výbuchu

- > Přístroj neupravujte. Používejte jej k danému účelu.
- > Opravy na tomto výrobku směřj provádět pouze odborníci. Nesprávně provedené opravy mohou být zdrojem značných rizik.



VÝSTRAHA! Nebezpečí požáru

- > Když je přístroj horký nebo se používá, nenechávejte ho bez dozoru.

- > V případě nouze mějte v blízkosti hasicí přístroj nebo jiné prostředky vhodné k uhašení plamene.

Bezpečnost při používání

 obr. 1 na stránce 2



NEBEZPEČÍ! Nebezpečí výbuchu

- > Tento přístroj nepoužívejte, pokud netěsní, je poškozen nebo nefunguje správně.
- > Přístroj nepoužívejte, pokud má poškozená nebo opotřebená těsnění.



UPOZORNĚNÍ! Nebezpečí popálení

- > Přístupné části mohou být velmi horké. Udržujte malé děti v bezpečné vzdálenosti.
- > Při manipulaci s horkými součástmi používejte ochranné rukavice.
- > Při zapalování nebo používání tohoto výrobku nenoste volné oblečení a nemějte dlouhé vlasy volné.
- > Ruce, obličej a vlasy udržujte v bezpečné vzdálenosti od hořáků.
- > Pozorně sledujte veškerou činnost kolem tohoto výrobku, abyste zabránili popálení a jiným úrazům.
- > Přístroj vždy používejte na pevném a rovném povrchu. Ujistěte se, že sestavený výrobek je stabilní a nekýve se.
- > Při používání přístroje se ujistěte, že podpěra hrnce a plochy na vaření jsou správně umístěny.
- > Tento přístroj během používání nepřemísťujte.
- > Děti a zvířata udržujte v bezpečné vzdálenosti.
- > Požívání alkoholu, léků na předpis nebo volně prodejných léků může narušit vaši schopnost správně sestavit nebo bezpečně používat tento přístroj.
- > Dříve než se tohoto výrobku dotknete holými rukama, nechte jej řádně vychladnout.



UPOZORNĚNÍ! Nebezpečí požáru

- > Během používání musí být tento přístroj chráněn před hořlavými materiály. Minimální bezpečné vzdálenosti: 120 cm

nad přístrojem a 60 cm vzadu a na stranách.

- > Na tento přístroj nepokládejte žádné předměty s výjimkou hrnců a pánví ani je o přístroj neopírejte.
- > Při vaření v hrnci nebo pánvi používejte pouze doporučenou velikost hrnce o průměru od 150 mm do 300 mm.
- > Do blízkosti tohoto přístroje neumísťujte chemikálie, hořlavé materiály ani nestříkejte aerosoly.
- > V případě požáru okamžitě vypněte přívod plynu.

Bezpečnostní opatření pro plyn a hadice

- > Používejte tento spotřebič pouze se schválenou hadicí a regulátorem.



NEBEZPEČÍ! Nebezpečí výbuchu

- > Používejte tento spotřebič pouze se schválenou hadicí a regulátorem.
- > Regulátor žádným způsobem neupravujte ani nemodifikujte.
- > Přístroj nepoužívejte, pokud je hadice poškozená nebo opotřebená. Před každým použitím a před připojením k přívodu plynu zkontrolujte hadici, zda není poškozená.
- > Plyn se do spotřebiče přivádí hadicí a regulátorem připojeným k plynové láhvi nepřesahující 9 kg a vyhovující místním platným předpisům, nebo připojením k výrobku CADAC Dometic Power Pak, což je jednotka, která pojme dvě nebo více plynových kartuší. Připojení jiných typů plynových lahví nebo plynových kartuší může být nebezpečné.
- > Lze použít pouze s plynovými lahvemi, které nepřesahují výšku 500 mm (bez regulátoru) a šířku 350 mm.
- > Přívod plynu připojte na dobře větraném místě, nejlépe venku, mimo zdroje vznícení, jako je otevřený oheň a plameny, a mimo dosah jiných lidí.
- > Udržujte přívod plynu mimo dosah tepla a plamene. Nepokládejte na sporák nebo jiný horký povrch.
- > Při připojování hadice ke spotřebiči nasměrujte hadici směrem od těla spotřebiče. Hadici nekrutěte ani nesvírejte.
- > Během používání udržujte přívod plynu ve svislé poloze, aby byl zajištěn správný

odběr paliva. Pokud tak neučiníte, může dojít k úniku kapaliny, což vede k nebezpečným provozním podmínkám.

- > Neodpojujte přívod plynu během provozu přístroje.
- > Po použití nebo při skladování musí být přívod plynu od přístroje odpojen.

4 Únik plynu

Únik plynu z poškozených hadic nebo nesprávných spojů může vytvořit nebezpečné podmínky a je třeba je okamžitě řešit. Je důležité správně namontovat všechny plynové přípojky, aby se zabránilo úniku plynu.



NEBEZPEČÍ! Nebezpečí výbuchu

- > Pokud ucítíte plyn, okamžitě vypněte plyn na ventilu plynové láhve i na spotřebiči otočením ovládacího knoflíku ve směru hodinových ručiček do polohy „OFF“.
- > Uhaste otevřené plamene
- > Přemístěte spotřebič na místo bez plamene a proveďte kontrolu úniku plynu. Tato kontrola by měla být provedena venku v dobře větraném prostoru mimo otevřený oheň nebo zdroje vznícení.
- > Ke kontrole úniku plynu nikdy nepoužívejte otevřený plamen, použijte mýdlovou vodu.

Jak provést kontrolu úniku plynu

Kontrola úniku plynu musí být provedena při každé montáži hadice a regulátoru na spotřebiči a přívod plynu a při každé výměně přívodu plynu.



NEBEZPEČÍ! Nezaznamenaný a nekontrolovaný únik plynu může mít za následek potenciální zranění nebo smrt.

- > Chcete-li provést kontrolu úniku plynu, naneste mýdlovou vodu na všechna místa připojení podél plynové hadice, tj. na spojení mezi plynovou hadicí a spotřebičem a na spojení mezi regulátorem a přívodem plynu.
- > Pomalu otevřete ventil plynové láhve, aby mohl plyn proudit.
- > Pokud se na kterémkoli místě připojení tvoří bubliny, dochází k úniku plynu.
- > Okamžitě vypněte plyn a odpojte přívod plynu od spotřebiče. Ujistěte se, že

všechna těsnění jsou na svém místě a v dobrém stavu. Vyměňte všechna poškozená těsnění.

- > Znovu připojte přívod plynu ke spotřebiči a zopakujte kontrolu úniku plynu.
- > Pokud by únik plynu přetrvával, vraťte výrobek do autorizovaného servisu, kde vám pomohou.

Stabilita plamenu

Při používání spotřebiče zajistěte stabilitu plamene.



VÝSTRAHA! Nekontrolované šlehání plamen (zpětné hoření plamene uvnitř hořáku nebo krytu trysky) může vést k nebezpečným provozním podmínkám.

- > V případě šlehání plamene okamžitě vypněte přívod plynu tak, že nejprve uzavřete ventil plynové láhve a poté otočíte ovládací knoflík spotřebiče do polohy „OFF“. Po zhasnutí plamene sejměte regulátor a zkontrolujte stav těsnění; v případě potřeby jej vyměňte.
- > Znovu připojte přívod plynu a zapalte spotřebič.
- > Pokud by šlehání plamenu přetrvávalo, vraťte výrobek autorizovanému servisu k posouzení.

5 Seznam součástí

 obr. 2 na stránce 3

Součást	Popis
①	Domed lid / Pot
②	Barbecue griddle
③	Flat griddle
④	Pan support
⑤	Drip pan
⑥	Burner
⑦	Control knob
⑧	Igniter
⑨	Quick release connection
⑩	Flat lid
⑪	BBQ 2 Plancha 30

Součást	Popis
⑫	Paella Pan 30

Modelové součásti

Modelové kombinace pro řadu jsou následující:

	6545-10	6545-20	6545-25
1	X	X	X
2	X	X	X
3	X		X
4	X	X	X
5	X	X	X
6	X	X	X
7	X	X	X
8	X	X	X
9			X
10			X
11			
12			

6 Sestavení přístroje

 obr. 3 na stránce 4



VÝSTRAHA! Základní bezpečnost

Nohy jsou odpružené. Otevírání a zavírání noh musí být prováděno kontrolovaným způsobem, aby nedošlo ke zranění osob nebo poškození vašeho spotřebiče.

Postup otevírání noh

- > Odstraňte ze spotřebiče všechny volné díly. Otočte jednotku vzhůru nohama a zvedněte každou nohu jednotlivě. Když je noha správně umístěna, uslyšíte „cvaknutí“.

Postup zavírání noh

- > Pevně uchopte nohu a zatlačte uvolňovací sponu nohy dolů (M). Zatlačte nohy do zavřené polohy. To musí být provedeno postupně, aby se optimalizoval balicí prostor, počínaje přední levou nohou (1), poté následuje přední pravou nohou (2) a nakonec zadní nohou (3).

Připojení přívodu plynu

 obr. 4 na stránce 4

	A	B	C
CS	Regulátor	Těsnění	Ovládací ventil

- > Před připojením spotřebiče k přívodu plynu se ujistěte, že je pryžové těsnění na regulátoru na svém místě a v dobrém stavu.
- > Před připojením schválené hadice a regulátoru ke spotřebiči zkontrolujte, zda je ovládací knoflík spotřebiče v poloze OFF „•“.
- > Vyfoukejte veškerý prach z otvoru přívodu plynu, abyste zabránili možnému ucpání vstříkovače.
- > Zajistěte, aby byl přívod plynu namontován na dobře větraném místě mimo jakýkoli zdroj vznícení, jako je otevřený oheň, a mimo dosah jiných osob.
- > Při připojování nebo výměně plynu nekuřte.
- > Plynová láhev musí být neustále ve svislé poloze. Připojte regulátor k plynové láhvi a ručně jej utáhněte.

Připojení hadice k přístroji

 obr. 5 na stránce 5

- > Připojte hadici k přístroji. Utáhněte připojení. Hadici nekroutěte ani nesvírejte. Hadice musí být vedena mimo těleso plynového spotřebiče, aby se zabránilo znehodnocení/poškození hadice teplem.
- > Zajistěte pevné utažení a proveďte kontrolu úniku plynu, jak je popsáno v kapitole Únik plynu. Pokud nemůžete odstranit únik plynu, spotřebič nepoužívejte. Pokud si nejste jisti, kontaktujte nejbližšího prodejce.
- > Všechny tyto bezpečnostní kontroly proveďte pokaždé, když spotřebič připojíte k přívodu plynu.

Odpojení a změna přívodu plynu

- > Po použití otočte ovládací knoflík spotřebiče do polohy OFF „•“ a zavřete přívod plynu.
- > Když potřebujete vyměnit prázdnou láhev, ujistěte se, že je plynový ventil na plynové láhvi uzavřen.
- > Sejměte regulátor z prázdné láhve a připevněte jej k plné láhvi. Pokyny k připojení přívodu plynu naleznete ve výše uvedených pokynech.
- > Proveďte stejné kroky a kontrolní postupy jako při montáži nové plynové láhve.

Jak zkontrolovat, jestli je plynová láhev prázdná

- > Prázdná váha plynové láhve je obvykle vyražena na jejím hrdle nebo kruhovém podstavci. Zvážením láhve zjistíte aktuální hladinu plynu. Pokud se hmotnost shoduje s vyraženou hmotností, válec je prázdný. Rozdíl mezi aktuální hmotností a vyraženou hmotností udává zbývajícím plyn.

7 Obsluha přístroje

- > Před prvním použitím se ujistěte, že jsou z přístroje odstraněny veškeré ochranné obaly a plasty.
- > Při každém použití se ujistěte, že všechny díly jsou v dobrém provozním stavu. Při každém připojení nebo výměně přívodu plynu proveďte kontrolu těsnosti plynu, jak je popsáno v kapitole Únik plynu.
- > Po delším skladování zkontrolujte, zda se na spotřebiči nenachází hmyz, nečistoty a pavučiny, které by mohly ovlivnit průtok plynu.
- > Tento spotřebič používejte pouze na pevném rovném povrchu.
- > Přístroj během používání nepřemísťujte. Takové zacházení je nebezpečné a může způsobit vzplanutí.
- > Při zapalování spotřebiče odstraňte veškeré varné plochy.
- > Používejte pouze varné nádoby o průměru od 150 mm do 300 mm.

Zapalování přístroje pomocí zapalovače

obr. 6 na stránce 5

- > Chcete-li zapálit plynový hořák, zatlačte a otočte ovládací knoflík proti směru hodinových ručiček na nejvyšší nastavení a zároveň stiskněte tlačítko zapalování.
- > Pokud se plyn nezapálí při první jiskře, otočte ovládací knoflík zpět do polohy OFF „•“, než se znovu pokusíte plyn zapálit.
- > Pokud se plyn nezapálí během prvních dvou až tří sekund, zavřete regulační ventil otočením ovládacího knoflíku zpět do polohy OFF „•“.
- > Počkejte zhruba 30 s, aby z hořáku mohl uniknout veškerý nahromaděný plyn. V případě potřeby opakujte výše uvedený postup, dokud se plamen nezapálí. Plamen by se měl zapálit během jedné až dvou sekund.

Zapalování přístroje pomocí zapalovače grilu

- > Při zapalování studeného přístroje jej lze zapálit z horní části hořáku před umístěním požadovaného varného povrchu.

- > Při zapalování horkého přístroje jej lze zapálit prostrčením zapalovače grilu jedním z větracích otvorů pod hořákem tak, aby byl v jedné rovině s hořákem. NEUMÍSTŮJTE zapalovač grilu velkým otvorem přímo pod hořákem.
- > Nejprve zapalte zapalovač, než zatlačíte a otočíte ovládací knoflík proti směru hodinových ručiček, aby se zapálil plynový hořák.



POZNÁMKA

- Jakmile je přístroj zapálený, upravte intenzitu plamene otáčením ovládacího knoflíku ve směru hodinových ručiček pro snížení plamene a proti směru hodinových ručiček pro zvýšení plamene.
- Při vaření jídla s vysokým obsahem tuku může dojít ke vzplanutí, pokud je zvolený stupeň ohřevu příliš vysoký. Pokud k tomu dojde, snižte teplotu, dokud vzplanutí neustane.
- Po použití se před odpojením přívodu plynu ujistěte, že je ovládací knoflík na přístroji v poloze OFF „•“ a že plamen zhasnul.

8 Varné povrchy GreenGrill

Většina varných ploch CADAC | Dometic má nepřilnavý keramický povrch GreenGrill, který neobsahuje perfluorooktanovou kyselinu a je netoxický, což umožňuje zdravější vaření.

Postup přípravy varné plochy

Před prvním použitím se doporučuje připravit varnou plochu, aby k ní nepřilnulo jídlo.

- > Na celou varnou plochu naneste tenkou vrstvu oleje na vaření a zahřívejte jej na středním ohni po dobu 2–3 minut.
- > Před umytím v teplé mýdlové vodě nechte varnou plochu vychladnout.
- > Znovu naneste tenkou vrstvu oleje na varnou plochu. Nyní je povrch připraven k použití.

Čištění varné plochy

- > Před ponořením do vody vždy nechte varné plochy zcela vychladnout.
- > Očistěte varný povrch teplou mýdlovou vodou a měkkou houbou. Nepoužívejte drátěnku.
- > Chcete-li odstranit odolné skvrny nebo zbytky, nechte před umytím varnou plochu na pár minut odmočit v teplé vodě.

Údržba

- > Po vyčištění doporučujeme před uložením natřít na varnou plochu malé množství oleje, aby byl povrch chráněn před vzduchem a vlhkostí.
- > Většina varných ploch je dodávána s praktickým úložným sáčkem. Před uložením do tašky vložte naolejovanou varnou plochu do plastového sáčku, aby taška zůstala čistá a bez zbytků.

Varné metody

- > Grilování: Barbecue gril je ideální pro grilování kuřete, masa, ryb nebo zeleniny bez tuku.
- > Smažení na pánvi: Plochá grilovací deska je ideální pro smažení zeleninových pokrmů, ryb, slaniny, vajec a zeleniny a pro přípravu palačinek.
- > Vaření: Příprava omáček nebo vaření rýže a těstovin je snadné s použitím vhodného hrnce nebo pánve umístěném na podstavci. Nepoužívejte nádobí s plastovými rukojetmi, protože se mohou během vaření zahřát a roztavit.

Volitelné příslušenství

- > Pizza Stone Pro: Ideální pro přípravu pizzy, plochého chleba atd. K vytvoření „trouby“ na pečení je nutné použít kopuli.
- > Pánev na paellu: Pánev na paellu je vyrobena z vysoce kvalitního lisovaného hliníku pro rovnoměrné rozložení tepla a je ideální pro přípravu pael, rizot, těstovin, tradičních snídaní atd.
- > Stožánek na kávovar: Poskytuje ideální varný podstavec pro váš kávovar nebo konvici.



POZNÁMKA

- Povrchová úprava GreenGrill vede teplo lépe než běžné nepřilnavé povrchy (PTFE). Proto doporučujeme používat pouze 75 % obvyklého nastavení výkonu.
- Abyste předešli poškození varné plochy, nikdy ji nenechávejte na zdroji tepla bez olejové vrstvy.
- Doporučujeme smažit na slunečnicovém nebo řepkovém oleji, díky jejich vysokému bodu přepalování. Použití olivového oleje se nedoporučuje kvůli jeho nižšímu bodu přepalování, který může způsobit přilepení nebo připálení přísad. Tip: maso nebo ryby před smažením ohřejte na pokojovou teplotu, aby se nepřilepily.
- Čisticí prostředek CADAC | Dometic Soft Soak a kartáč Soft Soak (prodává se samostatně) jsou ideální pro čištění varných povrchů GreenGrill, které napomáhají při namáčení a odstraňování odolných zbytků jídla.

9 Čištění přístroje

- > Chcete-li prodloužit životnost vašeho spotřebiče, po každém použití jej dobře vyčistěte.
- > Před čištěním nechte spotřebič vychladnout.
- > Chcete-li vyčistit tělo spotřebiče, jednoduše jej otřete vlhkým hadříkem s trochou saponátu podle potřeby.
- > Nevkládejte spotřebič do vody, protože by mohlo dojít k poškození trubice hořáku a k poruše zařízení.
- > Udržujte hořáky a oblasti zapalování mimo dosah vody. Před použitím přístroj vysušte.
- > Nepoužívejte brusné čisticí prostředky, protože by mohlo dojít k poškrábání povrchu.
- > K čištění spotřebiče nepoužívejte vysokotlaký parní hrnc ani proud vody.



POZNÁMKA

Na odolné skvrny lze použít čistič trouby CADAC.

10 Skladování

- > Před uložením nechte jednotku vychladnout a dobře ji vyčistěte.
- > Před odpojením přívodu plynu od přístroje se ujistěte, že je plyn vypnutý.
- > Nikdy neskladujte přístroj s připojeným přívodem plynu, jedná se o nebezpečný postup.

- > Přístroj a přívod plynu skladujte na dobře větraném místě mimo dosah hořlavých látek. Lahve skladujte nejlépe venku, nikdy ne ve sklepě nebo garáži.

11 Údržba a řešení problémů

- > Pravidelné čištění a údržba prodlouží životnost vašeho spotřebiče a sníží pravděpodobnost problémů.
- > K zajištění efektivního provozu doporučujeme, abyste u spotřebiče každých 12 měsíců nechali provést údržbu servisním technikem.
- > Servis tohoto přístroje musí provádět pouze oprávněná osoba.
- > Těsnost všech spojů pravidelně kontrolujte, i po každém doplnění nebo připojení plynové láhve.
- > V případě přelítí vyčistěte porty hořáku.

Řešení problémů

- > K zachování efektivního provozu doporučujeme každých šest měsíců vyčistit nebo vyměnit vstříkovače.
- > Pokud spotřebič po uskladnění funguje abnormálně a kontroly neodhalí problém, může být vstříkovač zablokovan. Zablokovaný vstříkovač je indikován slabším nažloutlým plamenem nebo žádným plamenem. V takových případech vyjměte a důkladně vyčistěte vstříkovač, abyste odstranili veškeré cizí předměty.
- > Vyjměte vstříkovač pomocí standardních nástrojů a vyfoukejte veškeré nečistoty. Případně si kupte nové vstříkovače v místním obchodě. Nepokoušejte se vstříkovač mechanicky vyčistit.

Náhrada zablokovaného vstříkovače

Váš spotřebič je vybaven vstříkovačem specifické velikosti, který reguluje správné množství plynu. Pokud je otvor vstříkovače ucpaný, může to způsobit slabý plamen nebo žádný plamen. Vyvarujte se čištění vstříkovače špendlíkem nebo podobným zařízením, protože by mohlo dojít k poškození vstříkovače, což představuje bezpečnostní riziko pro přístroj. Chcete-li vstříkovač vyměnit, postupujte takto:

obr. 7 na stránce 6

1. Odstraňte vanu na tuk.
2. Odšroubujte tři šrouby na desce tepelného štítu a sejměte tepelný štít.
3. Odšroubujte dva šrouby na sestavě hořáku a vyjměte ji. Dávejte pozor, abyste nepoškodili připojený kabel zapalovače.

4. K vyjmutí vstříkovače použijte vhodný klíč; nepoužívejte kleště, protože by mohly poškodit vstříkovač. Našroubujte nový vstříkovač do ventilu a dávejte pozor, abyste jej nepoškodili přílišným utaháním.

12 Náhradní díly

obr. 8 na stránce 7



POZNÁMKA Vždy používejte originální náhradní díly. Požádejte o pomoc místního dodavatele.

13 Záruka

Na výrobek je poskytována záruka v souladu s platnými zákony. Pokud je výrobek vadný, kontaktujte svého prodejce nebo pobočku výrobce ve vaší zemi. (viz www.cadacinternational.com/support)

K vyřízení opravy a záruky nezapomeňte spolu s výrobkem odeslat následující dokumenty:

- kopii účtenky s datem zakoupení,
- uvedení důvodu reklamace nebo popis vady.

Upozorňujeme, že oprava svépomocí nebo neodborná oprava může ohrozit bezpečnost a vést ke ztrátě záruky.

14 Technické údaje

Tabulka 14: Technické údaje

Země použití	BE, CH, CY, CZ, ES, FR, GB, GR, IE, IT, LT, LU, LV, PT, SK, SI		PL	BE, CY, DK, EE, FR, FI, HU, IT, LT, NL, NO, SE, SI, SK, RO, HR, TR, BG, IS, LU, MT, ZA	AT, CH, DE, SK
Kategorie přístroje	I _{3+(28-30/37)}		I _{3B/P (37)}	I _{3B/P (30)}	I _{3B/P (50)}
Povolené plyny	Butan	Propan	Butan, propan nebo jejich směs		
Tlak plynu	28–30 mbar	37 mbar	37 mbar	28–30 mbar	50 mbar
Číslo trysky	0.68		0.65	0.68	0.61
Jmenovité použití	145 g/hod.				
Hrubý jmenovitý tepelný příkon	2kW		2kW	2kW	2kW

Názvy zemí a zkratky

AT = Rakousko	BE = Belgie	BG = Bulharsko	CH = Švýcarsko	CY = Kypr
CZ = Česká republika	DE = Německo	DK = Dánsko	EE = Estonsko	ES = Španělsko
FI = Finsko	FR = Francie	GB = Spojené království	GR = Řecko	HR = Chorvatsko
HU = Maďarsko	IE = Irsko	IS = Island	IT = Itálie	LT = Lotyšsko
LU = Lucembursko	LV = Litva	MT = Malta	NL = Nizozemí	NO = Norsko
PL = Polsko	PT = Portugalsko	RO = Rumunsko	SE = Švédsko	SI = Slovinsko
SK = Slovensko	TR = Turecko			

Magyar

1	Fontos információk.....	127
2	Szimbólumok magyarázata.....	127
3	Biztonsági intézkedések.....	127
4	Gázzívárgások.....	129
5	Alkatrészlista.....	129
6	A készülék összeszerelése.....	130
7	A készülék üzemeltetése.....	131
8	GreenGrill sütési felületek.....	132
9	A készülék megtisztítása.....	132
10	Tárolás.....	133
11	Karbantartás és hibaelhárítás.....	133
12	Pótalkatrészek.....	133
13	Szavatosság.....	133
14	Műszaki adatok.....	135

1 Fontos információk

A termék mindenkoriszakszerű telepítése, használata és karbantartása érdekében kérjük figyelmesen olvassa el az ebben a termék kézikönyvben található utasításokat, irányelveket és figyelmeztetéseket, valamint mindig tartsa be ezeket. Ezt az útmutatót a termék közelében KELL tartani.

A termék használatba vételével Ön kijelenti hogy figyelmesen elolvasta az összes utasítást, irányelveket és figyelmeztetést, valamint megértette és elfogadja az itt leírt szerződési feltételeket. Ön elfogadja, hogy kizárólag a rendeltetésének megfelelő célra és a jelen termék kézikönyvben leírt útmutatásoknak, irányelveknek és figyelmeztetéseknek, valamint a hatályos törvényeknek és szabályozásoknak megfelelően használja ezt a terméket. Az itt leírt utasítások és figyelmeztetések elolvasásának és betartásának elmulasztása saját és mások sérüléséhez, a termék vagy a közelben található más anyagi javak károsodásához vezethet. Ez a termék kézikönyv és a benne található utasítások, irányelvek és figyelmeztetések, valamint a kapcsolódó dokumentációk módosulhatnak és frissülhetnek. Naprakész termékinformációért látogasson el a következő honlapra: documents.domestic.com.

2 Szimbólumok magyarázata

A figyelmeztető szavak a biztonsági utasítások, valamint a vagyoni károk elkerülésére szolgáló utasítások jelzésére szolgálnak, továbbá a veszély súlyosságát is jelzik.



VESZÉLY!

Veszélyes helyzetet jelöl, amely súlyos sérülést vagy halált okoz, ha nem kerülik el.



FIGYELMEZTETÉS!

Veszélyes helyzetet jelöl, amely súlyos sérülést vagy halált okozhat, ha nem kerülik el.



VIGYÁZAT!

Veszélyes helyzetet jelöl, amely könnyű vagy mérsékelt sérülést okozhat, ha nem kerülik el.



FIGYELEM!

Olyan helyzetet jelöl, amely vagyoni kárt okozhat, ha nem kerülik el.



MEGJEGYZÉS A termék kezelésére vonatkozó kiegészítő információk.

3 Biztonsági intézkedések

- > Alaposan olvassa el ezeket az utasításokat a készülék megismerése érdekében. Minden szavatosság érvénytelenné válik, ha nem tartja be ezeket az utasításokat. Őrizze meg az útmutatót a később használat érdekében.

Alapvető biztonság

- > Ezen figyelmeztetések figyelmen kívül hagyása súlyos vagy halálos sérüléshez vezethet.



FIGYELMEZTETÉS! Szénmonoxid-veszély

- > Ezt a terméket tilos beltérben használni. A folyékony gáz égése során szénmonoxid keletkezik, amely a zárt helyiségekben felhalmozódik.
- > Ez a gázkészülék levegőt (oxigént) fogyaszt. A készüléket jól szellőző helyen használja.
- > Ha több gázkészüléket is használnak a környezetében, gondoskodjon a további szellőztetésről.
- > Olyan rosszul szellőző helyeken mint például zárt helyiségek, sátrak, elősátrak, tehergépjárművek, lakókocsok, lakóautók, vagy vitorláshajók, jachtok, hajók, és tehergépjármű-fülkék belsejében, ne üzemeltesse ezt a terméket.
- > **Csak kültéri használatra alkalmas.**



FIGYELMEZTETÉS! Robbanásveszély

- > Ne alakítsa át a készüléket. Kizárólag a rendeltetésének megfelelően használja.
- > Ezen a készüléken csak szakember végezhet javításokat. A szakszerűtlen javítások komoly veszélyeket okozhatnak.



FIGYELMEZTETÉS! Tűzveszély

- > Forró állapotban vagy használat közben ne hagyja felügyelet nélkül a készüléket.

- > Gondoskodjon tűzoltó készülékről vagy hasonló oltóberendezésről, hogy vézhelyzet esetén kiolthassa a lángokat.

Használat közben biztonsági

 1. ábra, 2. oldal



VESZÉLY! Robbanásveszély

- > Ha szivárog, meghibásodott, vagy nem működik megfelelően, akkor nem használja ezt a készüléket.
- > Ne használja a készüléket, ha a tömítések sérültek vagy elhasználódtak.



VIGYÁZAT! Égési sérülés veszélye

- > A hozzáférhető részek nagyon forróak lehetnek. A kisgyermeket tartsuk távol tőle.
- > A forró alkatrészek kezelésekor használjon védőkesztyűt.
- > A termék meggyújtása vagy használata során ne viseljen a testtől elálló ruházatot és szabadon lelógó frizurát.
- > Kezét, arcát és haját tartsa távol az égőfejektől.
- > Az égési és egyéb sérülések megelőzése érdekében gondosan felügyelje az összes tevékenységet a termék körül.
- > A készüléket mindig szilárd, sík felületen használja. Győződjön meg arról, hogy az összeszerelt termék stabil, és nem billeg.
- > A készülék használatakor győződjön meg az edénytartó/sütési felületek megfelelő felhelyezéséről.
- > Használat közben ne mozgassa a készüléket.
- > Tartsa biztonságos távolságban a gyermekeket és a háziállatokat.
- > Az alkohol, illetve a vényköteles és nem vényköteles gyógyszerek negatív hatással lehetnek a készülék helyes összeszerelésével és üzemeltetésével kapcsolatos képességeire.
- > Puszta kézzel történő megérintés előtt hagyja lehűlni a terméket.



VIGYÁZAT! Tűzveszély

- > A készülék használata során a tűzveszélyes anyagokat tartsuk távol. A minimális biztonsági távolságok a következők:

120 cm a készülék fölött, és 60 cm a készülék hátuljánál és oldalainál.

- > A főzéshez használt edényeken és serpenyőkön kívül más tárgyakat ne helyezzen a készülékre.
- > Kizárólag 150 mm és 300 mm közötti átmérőjű edényeket és serpenyőket használjon a sütéshez és a főzéshez.
- > A készülék mellé ne helyezzen vegyszereket, tűzveszélyes anyagokat, vagy aeroszol sprayket.
- > Tűz esetén azonnal zárja el a gázellátást.

A gázzal és a tömlővel kapcsolatos biztonsági óvintézkedések

- > Kizárólag jóváhagyott tömlővel és gázszabályozóval használja a készüléket.



VESZÉLY! Robbanásveszély

- > Kizárólag jóváhagyott tömlővel és gázszabályozóval használja a készüléket.
- > Semmilyen módon ne módosítsa vagy alakítsa át a gázszabályozót.
- > Ne használja a készüléket, ha a tömlő sérült vagy elhasználódott. Minden használat előtt, valamint a gázellátáshoz való csatlakoztatása előtt ellenőrizze a tömlő épségét.
- > A készülék számára a gázt egy tömlő és egy gázszabályozó szolgáltatja, amelyek egy legfeljebb 9 kg súlyú, és az érvényben lévő helyi előírásoknak megfelelő gázpalackhoz, vagy egy kettő vagy több gázpatron befogadására alkalmas CADAC Dometic Power Pak egységhez vannak csatlakoztatva. Az egyéb típusú gázpalackok vagy gázpatronok csatlakoztatásának megkísérlése veszélyes lehet.
- > Kizárólag 500 mm-nél nem magasabb (a gázszabályozót nem beleszámítva) és 350 mm-nél nem szélesebb gázpalackok használhatók.
- > A gázellátást jól szellőző helyen, lehetőleg kültéren, nyílt lángokhoz és tüzekhez hasonló gyújtóforrásoktól, valamint más emberektől távol csatlakoztassa.
- > Tartsa távol a gázellátást a hőtől és a lángoktól. Ne helyezze sütőre vagy egyéb forró felületre.
- > A tömlő készülékhez történő csatlakoztatásakor a készülék házatól

kellő távolságban vezesse el a tömlőt. Ne csavarja meg, illetve ne csippentse össze a tömlőt.

- > Használat közben tartsa álló helyzetben a gázellátást, így gondoskodva a tüzelőanyag megfelelő kinyeréséről. Ennek elmulasztása folyadékszivárgáshoz vezethet, ami veszélyes üzemeltetési körülményeket teremt.
- > Ne válassza le a gázforrást, amíg a készülék használatban van.
- > Használat után vagy tároláskor a gázellátást le kell választani a készülékről.

4 Gázzivárgások

A sérült tömlők vagy nem megfelelő csatlakozások miatti gázzivárgások veszélyes körülményeket teremthetnek, ezért ezeket azonnal orvosolni kell. A gázzivárgások elkerülése érdekében alapvető fontosságú, hogy minden gázcsatlakozás megfelelően legyen felszerelve.



VESZÉLY! Robbanásveszély

- > Ha gázszagot érez, azonnal zárja el a gázellátást a gázpalack szelepénél, valamint a készüléknél is, a szabályzógomb óramutató járásával megegyező, „OFF” állásba történő elfordításával.
- > Oltsa el minden nyílt lángot.
- > Vegye a készüléket lángmentes helyre, és végezzen gázzivárgás-vizsgálatot. Ezt a vizsgálatot kültéren, jól szellőző helyen, nyílt lángoktól vagy gyújtóforrásoktól távol kell elvégezni.
- > Soha ne használjon nyílt lángot az esetleges gázzivárgások ellenőrzéséhez. Használjon szappanos vizet.

A gázzivárgás-vizsgálat elvégzése

A gázzivárgás-vizsgálatot minden alkalommal el kell végezni, amikor a tömlőt és a gázszabályozót felszerelik a készülékre és a gázpalackra, valamint minden alkalommal, amikor a gázpalackot kicserélik.



VESZÉLY! A gázzivárgások azonosításának és elhárításának elmulasztása súlyos vagy halálos sérüléshez vezethet.

- > A gázzivárgás-vizsgálat elvégzéséhez vigyen fel szappanos vizet a gáztömlő

minden csatlakoztatási pontjára, például a gáztömlő és a készülék közötti csatlakozásra, valamint a gázszabályozó és a gázpalack közötti csatlakozásra.

- > Lassan nyissa meg a gázpalack szelepét, hogy lehetővé tegye a gáz áramlását.
- > Ha buborékok jelennek meg bármelyik csatlakoztatási pontnál, akkor gázzivárgás áll fenn.
- > Azonnal zárja el a gázt, és válassza le a gázpalackot a készülékről. Győződjön meg arról, hogy minden tömítés a helyén van és jó állapotú. Cseréljen ki minden tömítést, amelyen sérülés jelei láthatók.
- > Csatlakoztassa ismét a gázpalackot a készülékhez, és végezze el a gázzivárgás-vizsgálatot.
- > Ha a gázzivárgás továbbra is fennáll, vigye vissza a terméket a hivatalos szervizbe, és kérjen segítséget.

Lángstabilitás

Gondoskodjon a láng stabilitásáról a készülék használatában.



FIGYELMEZTETÉS! A szabályozatlan visszaégés (amikor a láng visszafelé terjed az égőfejben vagy a fűvókaházban) veszélyes üzemi körülményeket teremthet.

- > Visszaégés esetén azonnal szüntesse meg a gázellátást úgy, hogy először elzárja a gázpalack szelepét, majd „OFF” állásba állítja a készülék szabályzógombját. Miután a láng kialudt, távolítsa el a gázszabályozót, és ellenőrizze a tömítés állapotát; szükség esetén cserélje ki.
- > Csatlakoztassa ismét a gázellátást, és gyűjtse be újra a készüléket.
- > Ha a visszaégés továbbra is fennáll, vigye vissza a terméket a hivatalos szervizbe kivizsgálásra.

5 Alkatrészlista

 **2. ábra, 3. oldal**

Szerkezeti elem	Leírás
①	Domed lid / Pot
②	Barbecue griddle

Szerkezeti elem	Leírás
③	Flat griddle
④	Pan support
⑤	Drip pan
⑥	Burner
⑦	Control knob
⑧	Igniter
⑨	Quick release connection
⑩	Flat lid
⑪	BBQ 2 Plancha 30
⑫	Paella Pan 30

Modellösszetevők

A kínálat modellkombinációi az alábbiaknak megfelelők:

	6545-10	6545-20	6545-25
1	X	X	X
2	X	X	X
3	X		X
4	X	X	X
5	X	X	X
6	X	X	X
7	X	X	X
8	X	X	X
9			X
10			X
11			
12			

6 A készülék összeszerelése

3. ábra, 4. oldal



FIGYELMEZTETÉS! Alapvető biztonság

A lábak rugóterhelésűek. A lábak ki- és behajtását szabályozott módon kell végezni a személyi sérülések és a készülék károsodásának elkerülése érdekében.

A lábak kihajtása

- > Távolítson el minden fel nem szerelt alkatrészt a készülékről. Fordítsa fejjel lefelé az egységet, és egyesével emelje fel a lábakat. „Kattanás” hallható, amikor a láb a megfelelő helyzetbe kerül.

A lábak behajtása

- > Határozottan fogja meg a lábat, és nyomja lefelé a láb kioldókapcsát (M). Nyomja befelé, zárt helyzetbe a lábakat. A tárolási helyigény optimalizálása érdekében ezt sorrendben kell elvégezni, a bal első lábbal (1) kezdve, a jobb első lábbal (2) folytatva, majd a hátsó lábbal (3) befejezve.

A gázellátás csatlakoztatása

4. ábra, 4. oldal

	A	B	C
HU	Gázzszabályozó	Tömítés	Szabályozószelep

- > Mielőtt a készüléket a gázellátáshoz csatlakoztatná, győződjön meg arról, hogy a gázzszabályozó gumitömítése a helyén van, és jó állapotú.
- > Mielőtt a készülékhez csatlakoztatná a tanúsítvánnyal rendelkező tömlőt és a gázzszabályozót, győződjön meg arról, hogy a készülék szabályzógombja KIKAPCSOLT „•” állásban van.
- > Fújja ki az összes port a gázellátás nyílásából a befecskendező esetleges eltömődésének megakadályozása érdekében.
- > Ügyeljen rá, hogy a gázellátás jól szellőző helyen, gyújtóforrásoktól – például nyílt lángtól –, valamint más emberektől távol legyen felszerelve.
- > Ne dohányozzon a gázellátás csatlakoztatása vagy cseréje közben.
- > Ügyeljen rá, hogy a gázpalack mindig egyenes, álló helyzetben legyen. Csatlakoztassa a gázzszabályozót a gázpalackhoz, és kézzel húzza meg a csatlakozót.

A tömlő csatlakoztatása a készülékhez

5. ábra, 5. oldal

- > Csatlakoztassa a tömlőt a készülékhez. Húzza meg a csatlakoztatás rögzítéséhez. Ne csavarja meg, illetve ne csippentse össze a tömlőt. Ügyeljen rá, hogy úgy vezesse el azt a gázkészülék házatól, hogy elkerülje a tömlő hő miatti anyagfáradását/károsodását.
- > Győződjön meg a teljes körű gáztömítettségéről a következő fejezetben leírt gázzzivárgás-vizsgálat elvégzésével: Gázzzivárgások. Ha nem tudja elhárítani a gázzzivárgást, ne használja a készüléket. Ha kétségei vannak, forduljon a helyi képviselőhöz.

- > Végezze el mindezen biztonsági ellenőrzéseket minden alkalommal, amikor a készüléket a gázellátáshoz csatlakoztatja.

A gázellátás leválasztása és cseréje

- > Használat után fordítsa a készülék szabályozógombját KIKAPCSOLT „•” állásba, és zárja el a gázellátást.
- > Ha ki kell cserélnie az kiürült palackot, ügyeljen rá, hogy a gázpalack gázszelepe el legyen zárva.
- > Távolítsa el a gázszabályozót az üres palackról, és szerelje fel azt a teli palackra. A gázellátás csatlakoztatásának módjával kapcsolatban tekintse meg a fenti utasításokat.
- > Ugyanolyan gondossággal járjon el, és végezze el ugyanazokat az ellenőrzési eljárásokat, mintha új gázpalackot csatlakoztatna.

A gázpalack üres állapotának ellenőrzése

- > A gázpalack üres súlya jellemzően a palack nyakánál vagy lábánál lévő gyűrűbe van préselve. A palack súlyának megméréseivel megállapítható az aktuális gáztöltöttségi szint. Ha a súly megegyezik a gyűrűbe préselt súllyal, akkor a palack üres. Az aktuális súly és a gyűrűbe préselt súly közötti különbség jelzi a fennmaradó gáz mennyiségét.

7 A készülék üzemeltetése

- > Az első használat előtt ügyeljen rá, hogy minden védőcsomagolást és műanyagot eltávolítson a készülékről.
- > Minden használatkor győződjön meg az összes alkatrész kifogástalan állapotáról. A Gázzsivárgások című fejezet utasításai szerint végezzen gázzsivárgásvizsgálatot minden alkalommal, amikor a gázellátást csatlakoztatja vagy kicseréli.
- > Hosszabb idejű tárolás után ellenőrizze a készüléket, a gázáramlást esetlegesen befolyásoló rovarokat, szennyeződésekkel vagy pókhálókát keresve rajta.
- > A készüléket csak kemény, sík felületen használja.
- > Ne mozgassa a készüléket használat közben. Ez nem biztonságos, mivel a láng fellobbanását okozhatja.
- > A készülék begyújtásakor távolítson el minden sütési felületet.
- > Kizárólag 150 mm és 300 mm közötti átmérőjű sütős és főzőedényeket használjon.

A készülék begyújtása a gyújtószerkezettel

 **6.** ábra, 5. oldal

- > A gázégő begyújtásához nyomja be, majd fordítsa el a szabályozógombot az óramutató járásával ellentétes irányba, a legmagasabb szintig, miközben nyomva tartja a gyújtógombot.
- > Ha a gáz nem gyullad be az első szikra hatására, fordítsa vissza a szabályozógombot a KIKAPCSOLT „•” állásba, mielőtt ismét megpróbálkozna a begyújtással.
- > Ha a gáz nem gyullad be az első két-három másodpercben, zárja el a szabályozószelepet a szabályozógombot KIKAPCSOLT „•” állásba fordításával.
- > Várjon körülbelül 30 s-et, hogy az égőfejen esetlegesen felgyülemlett gáz kiáramolhasson. Szükség szerint ismétlje meg a fenti eljárást, amíg a láng begyullad. A lángnak normál esetben az első egy-két másodpercen belül kell gyulladnia.

A készülék begyújtása grillgyújtóval

- > A készülék hideg állapotban történő begyújtásakor a készülék begyújtható az égőfej felső részének irányából, a kívánt sütési felület felhelyezése előtt.
- > A készülék forró állapotban történő begyújtásakor a készülék begyújtható úgy, ha átvezet egy grillgyújtót az égőfej alatt lévő egyik szellőzőnyíláson úgy, hogy az egy vonalba kerüljön az égőfejjel. NE a közvetlenül az égőfej alatt található nagy méretű nyíláson keresztül helyezze be a grillgyújtót.
- > Amikor a grillgyújtó a megfelelő helyen van, gyújtsa meg azt, mielőtt benyomná és az óramutató járásával ellentétes irányba fordítaná a szabályozógombot a gázégő begyújtásához.



MEGJEGYZÉS

- Ha a készülék begyulladt, állítsa be a láng intenzitását a szabályozógomb óramutató járásával megegyező irányba történő forgatásával a láng erősségének csökkentésével, vagy az óramutató járásával ellentétes irányba történő fordításával a láng erősségének növeléséhez.
- Amikor magas zsírtartalmú ételt süt, a láng felcsaphat, ha a kiválasztott hőfok túl magas. Ilyen esetben csökkentse a hőfokot, amíg a láng felcsapásának mértéke csökken.
- Használat után ügyeljen rá, hogy a készülék szabályozógombja KIKAPCSOLT „•” állásban legyen, és a láng kialudjon, mielőtt leválasztaná a gázellátást.

8 GreenGrill sütési felületek

A legtöbb CADAC | Dometic sütési felület tapadásmentes GreenGrill kerámiabevonattal rendelkezik, amely PFOA-mentes és nem mérgező, így egészségesebbé téve a süstést.

A sütési felület előkészítése

Az első használat előtt javasolt előkészíteni a sütési felületet, hogy az étel ne tapadjon le.

- > Vegyen fel egy vékony réteg sütőolajat a teljes sütési felületre, és hevítse azt közepes hőfokon 2-3 percig.
- > Hagyja, hogy a sütési felület lehűljön, majd mossa le azt langyos szappanos vízzel.
- > Ismét vigyen fel egy vékony réteg olajat a sütési felületre. A sütési felület ekkor készen áll a használatra.

A sütési felület megtisztítása

- > Mindig hagyja teljesen lehűlni a sütési felületet, mielőtt vízbe merítené azt.
- > Tisztítsa meg a sütési felületet langyos szappanos vízzel és puha szivaccsal. Ne használjon dörzsszivacsot.
- > A makacs szennyeződések vagy maradványok fellazításához áztassa néhány percig langyos vízben a sütési felületet, mielőtt elmosná azt.

Karbantartás

- > Tisztítás után ajánlott kis mennyiségű olajat felvinni a sütési felületre, ezzel óvja a felületet a levegőtől és a nedvességtől a tárolás során.
- > A legtöbb sütési felülethez kényelmesen használható tárolótáska tartozik. Tegye a beolajozott sütési felületet műanyag zacskóba, mielőtt a táskába helyezné azt, hogy tisztán és maradványoktól mentesen tartsa a táskát.

Süstési módok

- > Grillezés A barbecue-grill ideális csirkehús, egyéb húсок, hal vagy zöldségek zsírmentes grillezéséhez.
- > Serpenyőben sütés: A lapos grillezőlap tökéletes serpenyőben való sütéshez, hal, szalonna, tojás és zöldségek sütéséhez, valamint palacsinta készítéséhez.
- > Forralás: Az edénytartóra helyezett megfelelő edényben egyszerűen elkészíthetők szószok, vagy főzhető rizs és tiszta. Ne használjon műanyagból készült fogantyúval rendelkező edényeket, mivel főzés közben felforrósodnak, és elolvadhatnak.

Opcionális tartozékok

- > Professzionális pizzakő: Ideális pizza, lapos kenyér és hasonló ételek előkészítéséhez. Használja a búrát a sütéshez szükséges „kemence” létrehozásához.
- > Paella-serpenyő: Az egyenletes hőeloszlás érdekében kiváló minőségű préselt alumíniumból készült paella-serpenyő tökéletesen alkalmas paella, rizottó, tésztaételek, hagyományos reggeli fogások és hasonlóak elkészítéséhez.
- > Kávéfőzőállvány: Tökéletes forralóhelyet biztosít a kávéfőző vagy a vízforralóedény számára.



MEGJEGYZÉS

- A GreenGrill bevonat jobban vezeti a hőt, mint a hagyományos (PTFE) tapadásmentes bevonatok. Ezért javasoljuk, hogy a hagyományosan alkalmazott teljesítménynek csupán a 75%-át használja.
- A sütési felület károsodásának elkerülése érdekében soha ne hagyja olajréteg nélkül azt a hőforráson.
- Javasoljuk, hogy napraforgó- vagy repcemagolajjal süssön, azok magas gyulladáspontja miatt. Olívaolaj használata nem javasolt, mivel annak alacsonyabb a gyulladáspontja, ami miatt a hozzávalók letapadhatnak vagy megéghetnek. Tipp: a letapadás elkerülése érdekében sütés előtt várja meg, hogy a hús vagy a hal elérje a szobahőmérsékletet.
- A CADAC | Dometic kímélő áztató és a kímélő áztató szivacs (külön kapható) ideális a GreenGrill bevonatú sütési felületek tisztításához, mivel segíti az áztatást és a makacs ételmaradványok eltávolítását.

9 A készülék megtisztítása

- > A készülék élettartamának meghosszabbítása érdekében alaposan tisztítsa meg azt minden használat után.
- > Hagyja lehűlni a készüléket, mielőtt megtisztítaná azt.
- > A készülék házának megtisztításához egyszerűen törölje át azt nedves törülközővel, és szükség esetén némi tisztítószerezellel.
- > Ne merítse vízbe a készüléket, mivel ez károsíthatja az égőfejek csövét, ami a készülék hibás működéséhez vezet.
- > Ne érje víz az égőfejek és az órláng területét. Tisztítás után teljesen szárítsa meg a készüléket.

- > Ne használjon dörszőlő hatású tisztítószeret, mivel ezek károsíthatják a felületeket.
- > Ne használjon nagynyomású gőztisztítót vagy vízsugarat a készülék tisztításához.



MEGJEGYZÉS

Makacs szennyeződések esetén használhat CADAC-sütőtisztítót.

10 Tárolás

- > Tárolás előtt hagyja lehűlni az egységet, és alaposan tisztítsa meg.
- > Győződjön meg róla, hogy a gázellátás el lett zárva, mielőtt leválasztja azt a készülékről.
- > Soha ne tárolja a készüléket csatlakoztatott gázellátással, mivel ez nem biztonságos.
- > A készüléket és a gázellátást jól szellőző helyen, gyúlékony anyagoktól távol tárolja. A palackokat lehetőség szerint kültéren tárolja; ne tartsa azokat pincében vagy garázsban.

11 Karbantartás és hibaelhárítás

- > A rendszer tisztítás és karbantartás meghosszabbítja a készülék élettartamát, és csökkenti a problémák kialakulásának kockázatát.
- > A hatékony működés biztosítása érdekében javasoljuk, hogy 12 havonta szervizeltesse a készülékét egy szervizképviselőnél.
- > A készüléket csak erre jogosult személy szervizelheti.
- > Rendszeresen ellenőrizze az összes csatlakozás szivárgásmentességét, valamint minden alkalommal, amikor a gázpalackot újratölti vagy csatlakoztatja.
- > Tisztítsa meg az égőfejeket, ha azokra az edényből kifutó étel kerül.

Hibakeresés

- > A hatékony működés fenntartása érdekében javasoljuk, hogy hathavonta tisztítsa meg vagy cserélje ki a befecskendezőket.
- > Ha a készülék tárolás után rendellenesen működik, és az ellenőrzésekkel nem sikerül megállapítani a hiba okát, akkor előfordulhat, hogy a befecskendező eltömődött. A befecskendező eltömődésének jele lehet a gyengébb, sárgás színű láng, vagy ha egyáltalán nincs láng. Ilyen esetekben távolítsa el a befecskendezőt, és alaposan tisztítsa meg azt minden idegen anyagtól.

- > Hagyományos szerszámokkal távolítsa el a befecskendezőt, és fújjon ki belőle minden szennyeződést. Másik megoldásként vásároljon új befecskendezőket a helyi üzletből. Ne kísérlelje meg mechanikusan megtisztítani a befecskendezőt.

Az eltömődött befecskendező cseréje

A készüléke meghatározott méretű befecskendezővel rendelkezik a helyes gázmennyiség biztosítása érdekében. Ha a befecskendező nyílása eltömődik, annak jele lehet gyengébb láng vagy a láng teljes hiánya. Ne használjon tűt vagy hasonló eszközt a befecskendező tisztításához, mivel ez károsíthatja a befecskendezőt, ami biztonsági kockázatot eredményezhet. A befecskendező cseréjéhez az alábbiak szerint járjon el:

7. ábra, 6. oldal

1. Távolítsa el a széles edényt.
2. Csavarozza ki a hővédőlemez három csavarját, és távolítsa el a hővédőt.
3. Csavarozza ki az égőfeje szerelvényének két csavarját, és távolítsa el azt. Ügyeljen rá, hogy ne károsítsa a csatlakoztatott gyújtóvezeteket.
4. Egy megfelelő méretű csavarkulccsal távolítsa el a befecskendezőt; ne használjon fogót, mivel azzal károsíthatná a befecskendezőt. Csavarja az új befecskendezőt a szelepbbe, és a károsodás elkerülése érdekében ügyeljen rá, hogy ne húzza meg túlságosan.

12 Pótalkatrészek

8. ábra, 7. oldal



MEGJEGYZÉS Mindig eredeti pótalkatrészeket használjon. Segítségért forduljon a helyi beszállítóhoz.

13 Szavatosság

A termékre a törvény szerinti szavatossági időszak érvényes. Amennyiben a termék meghibásodott, lépjen kapcsolatba a kereskedővel vagy a gyártó helyi képviselőjével. (lásd: www.cadacinternational.com/support)

A javításhoz, illetve a garancia intézéséhez a következő dokumentumokat kell mellékelnie a termék beküldésekor:

- A számla vásárlási dátummal rendelkező másolatát

- A reklamáció okát vagy a hibát tartalmazó leírást

Vegye figyelembe, hogy az önkezü javítás vagy a nem szakszerű javítás biztonsági következményekkel járhat, és érvénytelenítheti a szavatosságot.

14 Műszaki adatok

táblázat 15: Műszaki adatok

Használati ország	BE, CH, CY, CZ, ES, FR, GB, GR, IE, IT, LT, LU, LV, PT, SK, SI		PL	BE, CY, DK, EE, FR, FI, HU, IT, LT, NL, NO, SE, SI, SK, RO, HR, TR, BG, IS, LU, MT, ZA	AT, CH, DE, SK
Készülékkategória	I _{3+(28-30/37)}		I _{3B/P (37)}	I _{3B/P (30)}	I _{3B/P (50)}
Engedélyezett gázok	Bután	Propán	Bután, propán, vagy ezek keveréke		
Gáznyomás	28-30 mbar	37 mbar	37 mbar	28-30 mbar	50 mbar
Fűvókák száma	0.68		0.65	0.68	0.61
Névleges fogyasztás	145 g/óra				
Nettó névleges hőteljesítmény	2 kW		2 kW	2 kW	2 kW

Országnevek és rövidítések

AT = Ausztria	BE = Belgium	BG = Bulgária	CH = Svájc	CY = Ciprus
CZ = Csehország	DE = Németország	DK = Dánia	EE = Észtország	ES = Spanyolország
FI = Finnország	FR = Franciaország	GB = Egyesült Királyság	GR = Görögország	HR = Horvátország
HU = Magyarország	IE = Írország	IS = Izland	IT = Olaszország	LT = Litvánia
LU = Luxemburg	LV = Lettország	MT = Málta	NL = Hollandia	NO = Norvégia
PL = Lengyelország	PT = Portugália	RO = Románia	SE = Svédország	SI = Szlovénia
SK = Szlovákia	TR = Törökország			

Hrvatski

1	Važne napomene.....	136
2	Objašnjenje simbola.....	136
3	Sigurnosne upute.....	136
4	Curenja plina.....	138
5	Popis komponenti.....	138
6	Sastavljanje uređaja.....	139
7	Rukovanje uređajem.....	140
8	Površine za kuhanje GreenGrill.....	140
9	Čišćenje uređaja.....	141
10	Skladištenje.....	141
11	Održavanje i rješavanje problema.....	142
12	Rezervni dijelovi.....	142
13	Jamstvo.....	142
14	Tehnički podaci.....	143

1 Važne napomene

Pažljivo pročitajte ove upute i poštuju sve upute, smjernice i upozorenja sadržane u ovim uputama kako biste u svakom trenutku osigurali pravilnu instalaciju, uporabu i održavanje proizvoda. Ove upute MORAJU ostati u blizini ovog proizvoda.

Uporabom proizvoda potvrđujete da ste pažljivo pročitali sve upute, smjernice i upozorenja te da razumijete i pristajete poštovati ovdje navedene uvjete i odredbe. Pristajete koristiti se ovim proizvodom samo za predviđenu svrhu i namjenu te u skladu s uputama, smjernicama i upozorenjima navedenima u ovom priručniku za proizvod, kao i u skladu sa svim važećim zakonima i propisima. Ako ne pročitate i ne poštuju ovdje navedene upute i upozorenja, tada to može dovesti do ozljeđivanja vas i drugih osoba, do oštećenja proizvoda ili druge imovine u blizini. Ovaj priručnik za proizvod, uključujući i upute, smjernice i upozorenja, te povezanu dokumentaciju može biti podložan promjenama i ažuriranjima. Za najnovije podatke o proizvodu posjetite documents.domestic.com.

2 Objasnjenje simbola

Signalna riječ opisuje poruke o sigurnosti i oštećenju imovine, kao i stupanj ili razinu težine potencijalne opasnosti.



OPASNOST!

Naznačuje opasnu situaciju, koja će, ako se ne izbjegne, rezultirati smrću ili teškim ozljedama.



UPOZORENJE!

Naznačuje opasnu situaciju, koja bi, ako se ne izbjegne, mogla rezultirati smrću ili teškim ozljedama.



OPREZ!

Naznačuje opasnu situaciju, koja bi, ako se ne izbjegne, mogla rezultirati lakšim ili umjerenim ozljedama.



POZOR!

Naznačuje situaciju, koja, ako se ne izbjegne, može rezultirati materijalnom štetom.



UPUTA Dodatne informacije za rukovanje proizvodom.

3 Sigurnosne upute

- > Pažljivo pročitajte ove upute kako biste se upoznali s uređajem. Sva jamstva postat će nevažeća ako ne slijedite ove upute. Sačuvajte ove upute za buduću upotrebu.

Opća sigurnost

- > Nepoštovanje ovih upozorenja može dovesti do smrti ili teške ozljede.



UPOZORENJE! Opasnost od ugljikova monoksida

- > Ovaj proizvod nikad nemoj upotrebljavati u zatvorenom prostoru. Postupkom gorenja ukapljenog plina nastaje ugljični monoksid koji se nakuplja u zatvorenim prostorima.
- > Ovaj plinski uređaj troši zrak (kisik). Provjerite upotrebljava li se uređaj u dobro prozračenom prostoru.
- > Omogućite dodatno prozračivanje ako se u okolinu doda više plinskih uređaja.
- > Nemojte rukovati proizvodom u neprozračenom prostoru kao što su zatvorene prostorije, šatori, predšatori, motorna vozila, kamperi, karavani, brodovi, jahte i kabine kamiona.
- > **Upotrebljavajte ga samo na otvorenom prostoru.**



UPOZORENJE! Opasnost od eksplozije

- > Ovaj uređaj nemojte prilagođavati. Koristite ga samo u skladu s namjenom.
- > Proizvod smije popravljati samo kvalificirano osoblje. Neadekvatni popravci mogu prouzročiti ozbiljan rizik.



UPOZORENJE! Opasnost od požara

- > Uređaj ne ostavljajte bez nadzora kada je topao ili u upotrebi.

- > Imajte u blizini aparat za gašenje požara ili druga prikladna sredstva za gašenje plamena u slučaju opasnosti.

Sigurnost tijekom uporabe

 sl. 1 na stranici 2



OPASNOST! Opasnost od eksplozije

- > Uređaj nemojte upotrebljavati ako uočite curenje, ako je oštećen ili ako ne radi ispravno.
- > Uređaj nemojte upotrebljavati ako su brtve oštećene ili istrošene.



OPREZ! Opasnost od opekline

- > Dijelovi kojima se može pristupiti mogu biti jako vrući. Držite malu djecu podalje od uređaja.
- > Prilikom rukovanja toplim komponentama upotrebljavajte zaštitne rukavice.
- > Tijekom paljenja ili upotrebe proizvoda nemojte nositi široku odjeću niti ostaviti dugu kosu raspuštenu.
- > Ruke, lice i kosu držite podalje od plamenika.
- > Pažljivo nadzirite sve aktivnosti oko proizvoda da biste spriječili opeklina ili druge ozljede.
- > Ovaj uređaj uvijek upotrebljavajte na čvrstoj ravnoj površini. Provjerite je li sastavljeni proizvod stabilan i ljulja li se.
- > Provjerite jesu li nosač za tave/površine za kuhanje pravilno postavljene prilikom upotrebe uređaja.
- > Ovaj uređaj tijekom upotrebe nemojte pomicati.
- > Držite djecu i kućne ljubimce podalje od uređaja.
- > Upotreba alkohola te lijekova dobivenih na recept ili bez njega može utjecati na vašu sposobnost pravilnog postavljanja ili sigurnog upravljanja uređajem.
- > Pustite da se uređaj u potpunosti ohladi prije nego što ga dodirnete golim rukama.



OPREZ! Opasnost od požara

- > Uređaj je tijekom upotrebe potrebno držati podalje od zapaljivih materijala. Minimalne sigurne udaljenosti su sljedeće:

120 cm iznad uređaja i 60 cm straga i sa strane.

- > Nemojte postavljati bilo kakve predmete osim posuđa i tava za kuhanja na ili uz uređaj.
- > Kad upotrebljavate lonac ili tavu za kuhanje, upotrijebite samo lonac preporučene promjera od 150 mm do 300 mm.
- > U blizinu uređaja nemojte postavljati kemikalije, zapaljive materijale ni sprejeve.
- > U slučaju požara odmah prekinite dovod plina.

Sigurnosne mjere za plin i crijevo

- > Upotrebljavajte ovaj uređaj samo s odobrenim crijevom i regulatorom.



OPASNOST! Opasnost od eksplozije

- > Upotrebljavajte ovaj uređaj samo s odobrenim crijevom i regulatorom.
- > Regulator nemojte ni na koji način mijenjati ili prilagođavati.
- > Uređaj nemojte upotrebljavati ako je crijevo oštećeno ili istrošeno. Provjerite je li crijevo oštećeno prije svake uporabe i prije nego što ga spojite na dovod plina.
- > Plin se dovodi u uređaj putem crijeva i regulatora, spojenog na plinsku bocu koja ne prelazi 9 kg i koja je u skladu s važećim lokalnim propisima, ili na CADAC Dometic Power Pak, što je jedinica koja prima dvije ili više plinskih uložaka. Moglo bi biti opasno ako se pokušaju ugraditi druge vrste plinske boce ili plinskih uložaka.
- > Samo za uporabu s plinskom bocom koja nije viša od 500 mm (ne uključujući regulator) i nije šira od 350 mm.
- > Spojite dovod plina u dobro prozračenom prostoru, po mogućnosti na otvorenom, podalje od izvora zapaljenja poput otvorenog plamena i vatre te podalje od ljudi.
- > Držite dovod plina dalje od topline i plamena. Ne stavljajte na štednjak ili bilo koju drugu vruću površinu.
- > Kada pričvršćujete crijevo na uređaj, usmjerite crijevo dalje od kućišta uređaja. Crijevo nemojte savijati niti stezati.
- > Tijekom uporabe držite dovod plina u uspravnom položaju kako biste osigurali pravilno crpljenje goriva. U suprotnom

može doći do ispuštanja tekućine, što dovodi do opasnih radnih uvjeta.

- > Nemojte uklanjati dovod plina dok je uređaj u upotrebi.
- > Dovod plina mora biti odspojen od ovog uređaja nakon upotrebe ili tijekom skladištenja.

na mjestu i u dobrom stanju. Zamijenite sve brtve s tragovima oštećenja.

- > Ponovno spojite dovod plina na uređaj i ponovite ispitivanje curenja plina.
- > Ako se curenje plina nastavi, vratite proizvod svom ovlaštenom serviseru kako bi vam pomogao.

4 Curenja plina

Curenje plina iz oštećenih crijeva ili nepravilnih spojeva može stvoriti opasne uvjete i to se mora odmah riješiti. Bitno je da su svi priključci plina ispravno postavljeni kako bi se spriječilo curenje plina.



OPASNOST! Opasnost od eksplozije

- > Ako osjetite miris plina, odmah isključite plin na ventilu plinske boce i na uređaju tako da okrenete kontrolnu ručicu u smjeru kazaljke na satu u položaj ISKLJUČENO.
- > Ugasite otvoreni plamen
- > Premjestite uređaj na mjesto gdje nema plamena i provedite ispitivanje curenja plina. Ovo ispitivanje treba izvesti na otvorenom i dobro prozračenom području daleko od otvorenog plamena ili izvora zapaljenja.
- > Curenja plina nikada nemojte pokušavati otkrivati otvorenim plamenom, upotrijebite vodu sa sapunicom.

Kako provesti ispitivanje curenja plina

Ispitivanje curenja plina mora se provesti svaki put kada se crijevo i regulator pričvrste na uređaj i dovod plina te svaki put kad se zamijeni dovod plina.



OPASNOST! Ako se ne prepozna i ne kontrolira, curenje plina može rezultirati potencijalnom ozljedom ili smrću.

- > Za provedbu ispitivanja curenja plina potrebno je nanijeti vodu sa sapunicom na sve spojne točke duž crijeva za plin, tj. na spoj između crijeva za plin i uređaja te na spoj između regulatora i dovoda plina.
- > Polako otvorite ventil plinske boce kako biste omogućili protok plina.
- > Ako se na bilo kojoj točki spajanja stvore mjehurići, tada plin curi.
- > Odmah isključite plin i odvojite dovod plina od uređaja. Provjerite jesu li sve brtve

Stabilnost plamena

Osigurajte stabilnost plamena prilikom upotrebe uređaja.



UPOZORENJE! Nekontrolirano paljenje plamena (plamen koji gori unutar plamenika ili kućišta mlaznice) može dovesti do opasnih radnih uvjeta.

- > U slučaju paljenje plamena odmah isključite dovod plina tako da prvo zatvorite ventil plinske boce, a zatim okrenete kontrolnu ručicu uređaja u položaj „ISKLJUČENO“. Nakon što se plamen ugasi, uklonite regulator i provjerite stanje brtve; po potrebi zamijenite.
- > Ponovno spojite dovod plina i ponovno upalite uređaj.
- > Ako se paljenje plamena nastavi, vratite proizvod svom ovlaštenom serviseru na procjenu.

5 Popis komponenti

 sl. 2 na stranici 3

Komponenta	Opis
①	Domed lid / Pot
②	Barbecue griddle
③	Flat griddle
④	Pan support
⑤	Drip pan
⑥	Burner
⑦	Control knob
⑧	Igniter
⑨	Quick release connection
⑩	Flat lid
⑪	BBQ 2 Plancha 30

Komponenta	Opis
⑫	Paella Pan 30

Model komponenti

Kombinacije modela za raspon su sljedeće:

	6545-10	6545-20	6545-25
1	X	X	X
2	X	X	X
3	X		X
4	X	X	X
5	X	X	X
6	X	X	X
7	X	X	X
8	X	X	X
9			X
10			X
11			
12			

6 Sastavljanje uređaja

 sl. 3 na stranici 4



UPOZORENJE! Opća sigurnost

Noge imaju oprugu. Noge se moraju otvarati i zatvarati na kontrolirani način kako bi se izbjegle ozljede ili oštećenje uređaja.

Otvaranje nogu

- > Sve dijelove koji se mogu otpustiti uklonite iz uređaja. Okrenite jedinicu naopako i podignite svaku nogu pojedinačno. Kad je noga u pravilnom položaju, začut će se „klik“.

Sklapanje nogu

- > Čvrsto držite nogu i pritisnite kopču za otpuštanje noge (M). Gurnite noge prema unutra u zatvoreni položaj. Ovo se mora raditi određenim redoslijedom kako bi se optimizirao prostor za pakiranje, počevši od prednje lijeve noge (1), zatim prednje desne noge (2), a zatim na kraju stražnje noge (3).

Priključivanje dovoda plina

 sl. 4 na stranici 4

	A	B	C
HR	Regulator	Brtva	Regulacijski ventil

- > Prije priključivanja uređaja na dovod plina, provjerite je li gumena brtva na regulatoru na mjestu i u dobrom stanju.
- > Prije priključivanja odobrenog crijeva i regulatora na uređaj, provjerite je li kontrolna ručica uređaja u položaju ISKLJUČENO „•“.
- > Ispuhnite svu prašinu iz otvora za dovod plina kako biste spriječili moguće začepljenje brizgaljke.
- > Provjerite je li dovod plina postavljen na dobro prozračenom mjestu podalje od bilo kakvog izvora zapaljenja, poput otvorenog plamena i podalje od ljudi.
- > Nemojte pušiti dok priključujete ili mijenjate dovod plina.
- > Pazite da plinska boca cijelo vrijeme stoji uspravno. Spojite regulator na plinsku bocu i zategnite rukom kako biste osigurali spoj.

Povezivanje crijeva s uređajem

 sl. 5 na stranici 5

- > Povežite crijevo s uređajem. Zategnite kako biste osigurali spoj. Crijevo nemojte savijati niti stezati. Provjerite je li usmjereno dalje od kućišta plinskog uređaja kako bi se spriječilo propadanje/oštećenje crijeva zbog topline.
- > Provjerite je li napravljena potpuna plinska brtva provedbom ispitivanja curenja plina kako je opisano u poglavlju Curenja plina. Ako ne možete otkloniti curenje plina, nemojte upotrebljavati uređaj. Ako ste u nedoumici, obratite se najbližem trgovcu.
- > Sve ove sigurnosne provjere provedite svaki put kada priključite uređaj na dovod plina.

Isključivanje i zamjena dovoda plina

- > Nakon upotrebe okrenite kontrolnu ručicu uređaja u položaj ISKLJUČENO „•“ i zatvorite dovod plina.
- > Kada trebate zamijeniti praznu bocu, provjerite je li ventil plina na plinskoj boci zatvoren.
- > Uklonite regulator s prazne boce i pričvrstite ga na punu bocu. Pogledajte prethodne upute o priključivanju dovoda plina.
- > Primijenite iste postupke održavanja i provjere kao kod postavljanja nove plinske boce.

Kako provjeriti je li plinska boca prazna

- > Masa prazne plinske boce obično je otisnuta na vratu ili nosaču boce. Vaganjem boce dolazi se do trenutne razine plina u boci. Ako težina odgovara otisnutoj težini, boca je prazna. Razlika između trenutne i otisnute težine označava preostali plin.

7 Rukovanje uređajem

- > Prije prve uporabe provjerite jesu li s uređaja uklonjena sva zaštitna pakiranja i plastika.
- > Pri svakoj uporabi provjerite jesu li svi dijelovi u dobrom radnom stanju. Provedite ispitivanje curenja plina kao što je opisano u poglavlju Curenja plina svaki put kada se dovod plina spoji ili zamijeni.
- > Nakon duljeg skladištenja, provjerite ima li na uređaju insekata, krhotina i paukove mreže koji mogu utjecati na protok plina.
- > Koristite ovaj uređaj samo na čvrstoj ravnoj površini.
- > Uređaj tijekom upotrebe nemojte pomicati. To nije sigurna praksa i može izazvati zapaljenje.
- > Uklonite sve površine za kuhanje kada palite uređaj.
- > Upotrijebite posude za kuhanje promjera isključivo od 150 mm do 300 mm.

Paljenje uređaja pomoću upaljača

sl. 6 na stranici 5

- > Za paljenje plinskog plamenika, gurnite i okrenite kontrolnu ručicu u smjeru suprotnom od kazaljke na satu na najveću postavku i istovremeno pritisnite gumb za paljenje.
- > Ako se plin ne zapali na prvu iskru, kontrolnu ručicu okrenite natrag u položaj ISKLJUČENO „•“ prije nego što opet pokušate zapaliti.
- > Ako se plin nije zapalio u prve dvije do tri sekunde, trebali biste zatvoriti kontrolni ventil okretanjem kontrolne ručice natrag u položaj ISKLJUČENO „•“.
- > Pričekajte oko 30 s kako bi nakupljeni plin iscurio iz plamenika. Po potrebi ponovite prethodni postupak dok se plamen ne zapali. Plamen bi se obično trebao upaliti unutar prve jedne do dvije sekunde.

Paljenje uređaja pomoću upaljača za roštilj

- > Prilikom paljenja hladnog uređaja, uređaj se može upaliti s gornje strane plamenika prije postavljanja željene površine za kuhanje.

- > Prilikom paljenja vrućeg uređaja, uređaj se može upaliti tako da se upaljač za roštilj gurne kroz jedan od ventilacijskih otvora ispod plamenika dok se ne poravnava s plamenikom. NE STAVLJAJTE upaljač za roštilj kroz veliki otvor izravno ispod plamenika.
- > S upaljačem za roštilj na mjestu, prvo upalite upaljač prije nego što gurnete i okrenete kontrolnu ručicu u smjeru suprotnom od kazaljke na satu kako biste zapalili plinski plamenik.



UPUTA

- Nakon što se uređaj upali, intenzitet plamena podesite okretanjem kontrolne ručice u smjeru kazaljke na satu kako biste smanjili plamen i suprotno od kazaljke na satu kako biste ga povećali.
- Prilikom kuhanja hrane s visokim udjelom masnoće može doći do rasplamsavanja vatre ako je odabrana postavka topline previsoka. Ako se to dogodi, smanjite toplinu dok se plamen ne smanji.
- Nakon upotrebe, provjerite je li kontrolna ručica na vašem uređaju u položaju ISKLJUČENO „•“ i je li plamen ugašen prije nego što isključite dovod plina.

8 Površine za kuhanje GreenGrill

Većina CADAC | Dometic površina za kuhanje imaju neprijanjajući keramički premaz GreenGrill koji ne sadrži kemikalije PFOA i nije otrovan, što omogućuje zdravije kuhanje.

Priprema površine za kuhanje

Prije prve uporabe preporučuje se pripremiti površinu za kuhanje kako se hrana ne bi lijepila.

- > Nanesite tanak sloj ulja za kuhanje po cijeloj površini za kuhanje i zagrijte je na srednjoj vatri 2 – 3 minute.
- > Pustite da se površina za kuhanje ohladi prije pranja u toploj vodi sa sapunicom.
- > Ponovno nanesite tanak sloj ulja na površinu za kuhanje. Sad je spremna za uporabu.

Čišćenje površine za kuhanje

- > Uvijek ostavite površine za kuhanje da se potpuno ohlade prije potapanja u vodu.
- > Površinu za kuhanje očistite toplom vodom sa sapunicom i mekom spužvom. Izbjegavajte uporabu spužvi za ribanje.

- > Kako biste otklonili tvrdokorne mrlje ili ostatke, potopite površinu za kuhanje na nekoliko minuta u toplu vodu prije nego što je krenete prati.

Održavanje

- > Preporučujemo da nakon čišćenja i prije spremanja površinu za kuhanje namažete s malo ulja kako biste je zaštitili od zraka i vlage.
- > Većina površina za kuhanje isporučuje se s praktičnom vrećicom za pohranu. Stavite nauljenu površinu za kuhanje u plastičnu vrećicu prije nego što je spremite u njezinu vrećicu kako bi vrećica ostala čista i bez ikakvih ostataka.

Metode kuhanja

- > Roštilj: Roštilj je idealan za pečenje piletine, mesa, ribe ili povrća bez masnoće.
- > Prženje u tavi: Ploča za roštilj savršena je za prženje namirnica uz miješanje kao u woku, prženje ribe, slanine, jaja i povrća te za pravljenje palačinki.
- > Kuhanje: Pravljenje umaka ili kuhanje riže i tjestenine jednostavno je s odgovarajućim loncem ili tavom postavljenom na nosač za tavu. Izbjegavajte uporabu posuđa s plastičnim ručkama jer se tijekom kuhanja mogu zagrijati i rastopiti.

Dodatni pribor po izboru

- > Pizza Stone Pro: Idealno za pripremu pizza, lepinja itd. Kupola je potrebna radi stvaranja „pećnice“ za pečenje.
- > Tava za paellu: Tava za paellu izrađena je od visokokvalitetnog prešanog aluminija za ravnomjernu raspodjelu topline i savršena je za pripremu raznih paella, rižota, jela od tjestenine, tradicionalnih doručaka itd.
- > Stalak za lonac za kavu: Pruža savršenu platformu za pripremu kave za vaš aparat za kavu ili kühalo za vodu.



UPUTA

- GreenGrill premaz provodi toplinu bolje od običnih (PTFE) neprijanjajućih premaza. Stoga preporučujemo uporabu samo 75 % uobičajene postavke snage.
- Kako biste izbjegli oštećenje površine za kuhanje, nikada je ne ostavljajte na izvoru topline bez premaza ulja.
- Preporučujemo prženje na suncokretovom ili repičinom ulju zbog visoke točke gorenja. Maslinovo ulje ne preporučuje se zbog niže točke gorenja, što može uzrokovati lijepljenje ili zagorijevanje sastojaka. Savjet: neka meso ili riba budu sobne temperature prije prženja da se ne zalijepe.
- CADAC | Dometic Soft Soak i Soft Soak Brush (prodaju se zasebno) idealni su proizvodi za čišćenje GreenGrill površina za kuhanje, pomažu u namakanju i uklanjaju tvrdokornih ostataka hrane.

9 Čišćenje uređaja

- > Kako biste produljili životni vijek uređaja, dobro ga očistite nakon svake uporabe.
- > Pustite da se uređaj ohladi prije čišćenja.
- > Da biste očistili kućište uređaja, jednostavno ga obrišite vlažnom krpom i po potrebi s malo deterdženta.
- > Uređaj nemojte uranjati u vodu jer to može oštetiti cijev plamenika i uzrokovati kvar uređaja.
- > Vodu držite podalje od plamenika i područja plinskog upaljača. Prije uporabe uređaj u potpunosti osušite.
- > Nemojte upotrebljavati abrazivna sredstva za čišćenje jer mogu oštetiti površine.
- > Nemojte upotrebljavati visokotlačni parni uređaj ili vodeni mlaz za čišćenje uređaja.



UPUTA

Za tvrdokorne mrlje može se upotrijebiti CADAC sredstvo za čišćenje pećnica.

10 Skladištenje

- > Pustite jedinicu da se ohladi i dobro je očistite prije skladištenja.
- > Provjerite je li dovod plina isključen prije nego što ga odspojite od uređaja.

- > Uređaj nikada nemojte pohranjivati sa spojenim plinom, to nije sigurna praksa.
- > Uređaj i dovod plina pohranite u dobro prozračenom prostoru podalje od zapaljivih tvari. Po mogućnosti spremajte boce na otvorenom, nikako u podrumu ili garaži.

11 Održavanje i rješavanje problema

- > Redovito čišćenje i održavanje produžit će vijek vašeg uređaja i smanjiti vjerojatnost pojave problema.
- > Preporučujemo da se uređaj servisira svakih 12 mjeseci kako bi se osigurao učinkovit rad.
- > Ovaj uređaj smije servisirati samo ovlaštena osoba.
- > Redovito provjeravajte nepropusnost svih spojeva i svaki put kada se plinska boca ponovno puni ili pričvršćuje.
- > Očistite otvore plamenika u slučaju prelijevanja.

Uklanjanje smetnji

- > Preporučujemo čišćenje ili zamjenu brizgaljki svakih šest mjeseci za održavanje učinkovitog rada.
- > Ako uređaj ne radi pravilno nakon skladištenja i provjerama se ne definira problem, brizgaljka je možda začepljena. Blokirana brizgaljka uočava se slabijim žučkastim plamenom ili izostankom plamena. U takvim slučajevima brizgaljku izvadite i temeljito je očistite kako biste uklonili sve strane tvari.
- > Brizgaljku izvadite standardnim alatom i uklonite svu prljavštinu. Alternativa tome je kupnja novih brizgaljki u obližnjoj trgovini. Ne pokušavajte mehanički očistiti brizgaljku.

Zamjena začepljene brizgaljke

Vaš uređaj ima brizgaljku određene veličine za reguliranje ispravne količine plina. Ako je otvor brizgaljke začepljen, to može uzrokovati slab plamen ili izostanak plamena. Izbjegavajte čišćenje brizgaljke iglom ili sličnim predmetom jer to može oštetiti brizgaljku i predstavlja sigurnosni rizik za uređaj. Za zamjenu brizgaljke učinite sljedeće:

sl. 7 na stranici 6

1. Izvadite posudu za masnoću.
2. Uklonite tri vijka na ploči zaštite od topline i uklonite zaštitu od topline.
3. Uklonite dva vijka na sklopu plamenika i uklonite ga, pazeći da ne oštetite spojenu žicu za paljenje.

4. Brizgaljku izvadite pomoću odgovarajućeg ključa; izbjegavajte uporabu kliješta jer to može oštetiti brizgaljku. Novu brizgaljku pričvrstite vijkom na ventil, pazeći da je zategnete previše kako biste izbjegli oštećenje.

12 Rezervni dijelovi

 sl. 8 na stranici 7



UPUTA Uvijek upotrebljavajte originalne rezervne dijelove. Obratite se lokalnom dobavljaču za pomoć.

13 Jamstvo

Primjenjuje se zakonom propisano jamstveno razdoblje. Ako je proizvod neispravan, obratite se trgovcu na malo ili podružnici proizvođača u vašoj državi. (pogledajte web mjesto www.cadacinternational.com/support)

Za potrebe popravaka i obrade jamstva, pri slanju proizvoda priložite sljedeće dokumente:

- presliku računa s datumom kupnje
- razlog reklamacije ili opis kvara

Obratite pozornost da samostalni ili nestručni popravak može imati negativne posljedice na sigurnost i uzrokovati gubitak jamstva.

14 Tehnički podaci

Tablica 16: Tehnički podaci

Države u kojima se upotrebljava	BE, CH, CY, CZ, ES, FR, GB, GR, IE, IT, LT, LU, LV, PT, SK, SI		PL	BE, CY, DK, EE, FR, FI, HU, IT, LT, NL, NO, SE, SI, SK, RO, HR, TR, BG, IS, LU, MT, ZA	AT, CH, DE, SK
Kategorija uređaja	L _{3+(28-30/37)}		L _{3B/P (37)}	L _{3B/P (30)}	L _{3B/P (50)}
Dozvoljeni plinovi	Butan	Propan	Butan, propan ili njihova smjesa		
Tlak plina	28 – 30 mbar	37mbar	37mbar	28 – 30 mbar	50mbar
Broj mlaznice	0.68		0.65	0.68	0.61
Nazivna potrošnja	145 g/h				
Bruto nazivni utrošak toplinske energije	2kW		2kW	2kW	2kW

Nazivi država i kratice

AT = Austrija	BE = Belgija	BG = Bugarska	CH = Švicarska	CY = Cipar
CZ = Češka Republika	DE = Njemačka	DK = Danska	EE = Estonija	ES = Španjolska
FI = Finska	FR = Francuska	GB = Ujedinjeno Kraljevstvo	GR = Grčka	HR = Hrvatska
HU = Mađarska	IE = Irska	IS = Island	IT = Italija	LT = Litva
LU = Luksemburg	LV = Latvija	MT = Malta	NL = Nizozemska	NO = Norveška
PL = Poljska	PT = Portugal	RO = Rumunjska	SE = Švedska	SI = Slovenija
SK = Slovačka	TR = Turska			

Türkçe

1	Önemli notlar.....	144
2	Sembollerin açıklanması.....	144
3	Güvenlik uyarıları.....	144
4	Gaz kaçakları.....	146
5	Bileşen listesi.....	146
6	Cihazın montajı.....	147
7	Cihazın çalıştırılması.....	148
8	GreenGrill pişirme yüzeyleri.....	148
9	Cihazın temizlenmesi.....	149
10	Depolama.....	149
11	Bakım ve sorun giderme.....	149
12	Yedek parçalar.....	150
13	Garanti.....	150
14	Teknik Bilgiler.....	151

1 Önemli notlar

Bu ürünün doğru monte ettiğinizden ve ürünün daima kullanıma hazır olduğundan emin olmak için, lütfen tüm talimatları ve bu ürün kılavuzunda verilen kılavuzları ve uyarıları dikkatlice okuyunuz. Bu talimatlar bu ürün ile birlikte **SAKLANMALIDIR**.

Bu ürünü kullandığınızda tüm talimatları, kılavuzları ve uyarıları dikkatlice okuduğunuzu ve anladığınızı ve hükümlere ve koşullara bu sözleşmede yer alıyormuş gibi uyacağınıza onay verirsiniz. Bu ürünü sadece amacına ve uygulamaya uygun ve talimatlara, kılavuzlara ve uyarılara uygun bu ürün kılavuzu ile geçerli yasalara ve yönetmeliklere uygun olarak kullanacağınızı kabul ediyorsunuz. Talimatların ve uyarıların burada verildiği gibi okunmaması veya bunlara uyulmaması sonucu kendinizin ve diğer insanların yaralanabilir veya ürününüz veya yakınında bulunan diğer mallar hasar görebilir. Talimatlar, kılavuzlar ve uyarılar da dahil, bu ürün kılavuzu ve buna ait olan dokümanlarda değişiklikler ve güncellemeler yapılabilir. Güncel ürün bilgileri için lütfen documents.dometic.com adresini ziyaret edin.

2 Sembollerin açıklanması

Bir sinyal sözcüğü, güvenlik ve maddi hasar mesajlarını tanımlar ve ayrıca tehlikenin ciddiyet derecesini veya seviyesini gösterir.



TEHLİKE!

Önlenmediğinde, can kaybı veya ağır bir yaralanmaya neden olan tehlikeli bir durumu gösterir.



UYARI!

Önlenmediğinde, can kaybı veya ağır bir yaralanmaya neden olabilecek tehlikeli bir durumu gösterir.



DİKKAT!

Önlenmediğinde, hafif veya orta derecede bir yaralanmaya neden olabilecek tehlikeli bir durumu gösterir.



İKAZ!

Önlenmediğinde, maddi hasara neden olabilecek bir durumu gösterir.



NOT Ürünün kullanılması ile ilgili ek bilgiler.

3 Güvenlik uyarıları

- > Cihazı tanımak için bu talimatları dikkatlice okuyun. Bu talimatlara uymadığınız takdirde tüm garantiler geçersiz hale gelir. Bu talimatları ileride başvurmak üzere saklayın.

Genel güvenlik

- > Bu uyarılara uyulmaması ölüme veya ciddi yaralanmalara neden olabilir.



UYARI! Karbonmonoksit tehlikesi

- > Bu ürünü asla kapalı mekanlarda kullanmayın. Sıvı gaz yakma işlemi, kapalı alanlarda biriken karbon monoksit üretir.
- > Bu gaz cihazı hava (oksijen) tüketir. Cihazın iyi havalandırılan bir alanda kullanıldığından emin olun.
- > Ortama daha fazla gazlı cihaz eklenirse ekstra havalandırma sağlayın.
- > Bu ürünü kapalı mekanlar, çadırlar, tenteli çadırlar, motorlu taşıtlar, karavanlar gibi havalandırılmayan alanlarda veya gemilerin, yatların, teknelerin ve kamyon kabinlerinin içinde çalıştırmayın.
- > **Yalnızca dış mekanlarda kullanın.**



UYARI! Patlama tehlikesi

- > Cihazda değişiklik yapmayın. Sadece amaçlandığı şekilde kullanın.
- > Ürünün onarımı sadece kalifiye personel tarafından yapılmalıdır. Yanlış onarımlar ciddi tehlikelere neden olabilir.



UYARI! Yangın tehlikesi

- > Cihazı sıcakken veya kullanımdayken gözetimsiz bırakmayın.
- > Acil bir durumda alevi söndürmek için bir yangın söndürücü veya uygun başka bir araç bulundurun.

Kullanım sırasında güvenlik

 **şekil 1** sayfa 2



TEHLİKE! Patlama tehlikesi

- > Cihaz sızıntı yapıyorsa, hasarlıysa veya düzgün çalışmıyorsa cihazı kullanmayın.
- > Hasarlı veya aşınmış contalar varsa cihazı kullanmayın.



DİKKAT! Yanma tehlikesi

- > Erişilebilir parçalar çok sıcak olabilir. Küçük çocukları uzak tutun.
- > Sıcak bileşenleri tutarken koruyucu eldiven kullanın.
- > Bu ürünü ateşlerken ya da kullanırken bol giysiler giymeyin veya uzun saçların serbestçe sarkmasına izin vermeyin.
- > Ellerinizi, yüzünüzü ve saçınızı ocak gözlemlerinden uzak tutun.
- > Yanıkları veya diğer yaralanmaları önlemek için bu ürünün etrafındaki tüm faaliyetleri dikkatle izleyin.
- > Cihazı her zaman sağlam ve düz bir yüzeyde kullanın. Monte edilen ürünün sabit olduğundan ve sallanmadığından emin olun.
- > Cihazı kullanırken tava desteğinin / pişirme yüzeylerinin doğru yerleştirildiğinden emin olun.
- > Kullanım sırasında cihazı hareket ettirmeyin.
- > Çocukları ve evcil hayvanları güvende olacakları bir mesafede tutun.
- > Alkol veya reçeteli ya da reçetesiz ilaçların kullanılması, bu cihazı doğru bir şekilde monte etme ya da güvenli bir şekilde çalıştırma yeteneğinizi olumsuz etkileyebilir.
- > Çıplak elle dokunmadan önce cihazın soğumasını bekleyin.



DİKKAT! Yangın tehlikesi

- > Bu cihaz kullanım sırasında yanıcı maddelerden uzak tutulmalıdır. Minimum güvenli mesafeler: 120 cm cihazın üzerinde ve 60 cm arka ve yan taraflarda.
- > Bu cihazın üzerine veya karşısına, tencere ve tava dışında herhangi bir nesne koymayın.

- > Pişirmek için bir tencere veya tava kullanırken, yalnızca önerilen 150 mm ila 300 mm çapındaki tencere boyutlarını kullanın.
- > Cihazın yakınına kimyasallar, yanıcı maddeler veya sprey aerosoller koymayın.
- > Yangın durumunda gaz beslemesini derhal kapatın.

Gaz ve hortum güvenlik önlemleri

- > Bu cihazı sadece onaylı bir hortum ve regülatör ile kullanın.



TEHLİKE! Patlama tehlikesi

- > Bu cihazı sadece onaylı bir hortum ve regülatör ile kullanın.
- > Regülatörde herhangi bir değişiklik veya tadilat yapmayın.
- > Hortum hasarlıysa veya aşınmışsa cihazı kullanmayın. Her kullanımdan ve gaz kaynağına bağlamadan önce hortumda hasar olup olmadığını kontrol edin.
- > 9 kg'ı aşmayan ve yürürlükteki yerel yönetmeliklere uygun bir gaz tüpüne veya iki veya daha fazla gaz kartuşu alan bir ünite olan CADAC Dometic Power Pak'a bağlı bir hortum ve regülatör aracılığıyla cihazı gaz sağlan. Diğer tip gaz tüplerini veya gaz kartuşlarını takmayı tehlikeli olabilir.
- > Yalnızca 500 mm yüksekliği (regülatör hariç) ve 350 mm genişliği aşmayan gaz tüpü ile kullanılmalıdır.
- > Gaz kaynağını iyi havalandırılan bir alanda tercihen açık havada, açık alev ve ateş gibi tutuşturucu kaynaklardan ve diğer insanlardan uzakta bağlayın.
- > Gaz kaynağını ısı ve alevden uzak tutun. Ocağın veya başka bir sıcak yüzeyin üzerine koymayın.
- > Hortumu cihaza takarken, hortumu cihazın gövdesinden uzağa yönlendirin. Hortumu bükmeyin veya sıkırtmayın.
- > Kullanım sırasında, yakıtın düzgün şekilde çekilmesini sağlamak için gaz kaynağını dik konumda tutun. Bunun yapılmaması sıvı deşarjına neden olarak tehlikeli çalışma koşullarına yol açabilir.
- > Cihaz kullanılırken gaz kaynağını sökmeyin.
- > Kullanımdan sonra veya depolama için gaz kaynağı bu cihazdan ayrılmalıdır.

4 Gaz kaakları

Hasarlı hortumlardan veya yanlış baėlantılardan kaynaklanan gaz kaakları tehlikeli durumlar oluşturabilir ve derhal düzeltilmelidir. Gaz kaaklarını önlemek için tüm gaz baėlantılarının doğru şekilde takılmış olması hayati önem taşımaktadır.



TEHLİKE! Patlama tehlikesi

- > Gaz kokusu alırsanız, derhal gaz tüpü vanasından ve cihazın üzerindeki kontrol düğmesini saat yönünde "OFF" (KAPALI) konumuna çevirerek gazı kapatın.
- > Çıplak alevleri söndürün
- > Cihazı alev bulunmayan bir yere taşıyın ve gaz kaaėı testi yapın. Bu test dışarıda, iyi havalandırılan bir alanda, açık alevlerden veya tutuşturucu kaynaklardan uzakta yapılmalıdır.
- > Gaz kaaėını kontrol etmek için asla çıplak alev kullanmayın, sabunlu su kullanın.

Gaz kaaėı testi nasıl yapılır

Hortum ve regülatör cihaza ve gaz kaynağına her takıldığında ve gaz kaynağı her deėiştirildiğinde bir gaz kaaėı testi yapılmalıdır.



TEHLİKE! Bir gaz kaaėının tespit edilememesi ve kontrol edilmemesi potansiyel yaralanma veya ölümlle sonuçlanabilir.

- > Gaz kaaėı testi yapmak için gaz hortumu boyunca tüm baėlantı noktalarına, yani gaz hortumu ile cihaz arasındaki baėlantıya ve regülatör ile gaz kaynağı arasındaki baėlantıya sabunlu su uygulayın.
- > Gaz akışına izin vermek için gaz tüpü vanasını yavaşça açın.
- > Herhangi bir baėlantı noktasında kabarcıklar oluşursa, bir gaz kaaėı var demektir.
- > Derhal gazı kapatın ve gaz kaynağını cihazdan ayırın. Tüm contaların tam olarak yerinde ve iyi durumda olduğunu onaylayın. Hasar belirtileri gösteren contaları deėiştirin.
- > Gaz kaynağını cihaza yeniden baėlayın ve gaz kaaėı testini yeniden yapın.
- > Gaz kaaėı devam ederse, yardım için ürün yetkili onarım servisimize deėeririz.

Alev kararlılıėı

Cihazı kullanırken alevin kararlı olduėundan emin olun.



UYARI! Kontrolsüz geri yanma (alevin brülör veya meme gövdesi içinde geri yanması) tehlikeli çalışma koşullarına yol açabilir.

- > Geri yanma durumunda, önce gaz tüpü vanasını, ardından cihaz kontrol düğmesini "OFF" (KAPALI) konuma getirerek gaz kaynağını derhal kapatın. Alev söndükten sonra regülatörü çıkarın ve contanın durumunu kontrol edin, gerekirse deėiştirin.
- > Gaz kaynağını yeniden baėlayın ve cihazı yeniden yakın.
- > Alevin ısrarla geri yanması durumunda, ürünü incelenmesi için yetkili onarım servisimize deėeririz.

5 Bileşen listesi

şekil 2 sayfa 3

Bileşen	Adı
①	Domed lid / Pot
②	Barbecue griddle
③	Flat griddle
④	Pan support
⑤	Drip pan
⑥	Burner
⑦	Control knob
⑧	Igniter
⑨	Quick release connection
⑩	Flat lid
⑪	BBQ 2 Plancha 30
⑫	Paella Pan 30

Model bileşenleri

Ürün ailesi için model kombinasyonları aşağıdaki gibidir:

	6545-10	6545-20	6545-25
1	X	X	X
2	X	X	X
3	X		X

	6545-10	6545-20	6545-25
4	X	X	X
5	X	X	X
6	X	X	X
7	X	X	X
8	X	X	X
9			X
10			X
11			
12			

6 Cihazın montajı

 **şekil 3** sayfa 4



UYARI! Genel güvenlik

Ayaklar yaylıdır. Kişisel yaralanmaları veya cihazınızın hasar görmesini önlemek için ayakların açılması ve kapatılması kontrollü bir şekilde yapılmalıdır.

Ayakları açmak için

- > Tüm çıkarılabilir parçaları cihazdan çıkarın. Üniteyi ters çevirin ve her bir ayağı ayrı ayrı kaldırın. Ayak doğru yerleştirildiğinde bir “klik” sesi duyacaksınız.

Ayakları geriye katlamak için

- > Ayağı sıkıca tutun ve ayak serbest bırakma klipsini aşağı itin (M). Ayakları içe doğru iterek kapalı konuma getirin. Ambalaj alanını optimize etmek için bu işlem sırayla yapılmalıdır; ön sol ayaktan (1) başlanmalı, ardından ön sağ ayak (2) ve son olarak da arka ayak (3).

Gaz kaynağının bağlanması

 **şekil 4** sayfa 4

	A	B	C
TR	Regülatör	Conta	Kontrol vanası

- > Cihazı bir gaz kaynağına bağlamadan önce, regülatör üzerindeki lastik contanın yerinde ve iyi durumda olduğundan emin olun.
- > Cihaza onaylı bir hortum ve regülatör bağlamadan önce cihaz kontrol düğmesinin OFF “•” (KAPALI) konumunda olduğunu kontrol edin.

- > Enjektörde oluşabilecek tıkanıklıkları önlemek için gaz kaynağı deliğindeki tozu üfleyin.
- > Gaz kaynağının, çıplak alev gibi herhangi bir tutuşturucu kaynaktan ve diğer insanlardan uzakta, iyi havalandırılan bir yere monte edildiğinden emin olun.
- > Gaz kaynağını bağlarken veya değiştirirken sigara içmeyin.
- > Gaz tüpünün her zaman dik konumda tutulduğundan emin olun. Regülatörü gaz tüpüne bağlayın ve bağlantıyı sabitlemek için elle sıkın.

Hortumun cihaza bağlanması

 **şekil 5** sayfa 5

- > Hortumu cihaza bağlayın. Bağlantıyı sabitlemek için sıkın. Hortumu bükmeyin veya sıkıştırmayın. Hortumun ısı nedeniyle bozulmasını / hasar görmesini önlemek için gaz cihazı gövdesinden uzağa yönlendirildiğinden emin olun.
- > Gaz kaçakları bölümünde açıklandığı gibi bir gaz kaçağı testi gerçekleştirerek tam bir gaz sızdırmazlığının sağlandığından emin olun. Gaz kaçağını giderelemiyorsanız, cihazı kullanmayın. Şüphelenirseniz, size en yakın yetkili satıcıya başvurun.
- > Bu güvenlik kontrollerinin tümünü cihazı bir gaz kaynağına her bağladığınızda gerçekleştirin.

Gaz kaynağının bağlantısının ayrılması ve değiştirilmesi

- > Kullanımdan sonra, cihazın kontrol düğmesini OFF “•” (KAPALI) konumuna getirin ve gaz kaynağını kapatın.
- > Boş tüpünüzü değiştirmeniz gerektiğinde gaz tüpü üzerindeki gaz vanasının kapalı olduğundan emin olun.
- > Regülatörü boş tüpten çıkarın ve dolu bir tüpe takın. Gaz kaynağının nasıl bağlanacağına ilişkin yukarıdaki talimatlara bakın.
- > Yeni bir gaz tüpü takılıyormuş gibi aynı dikkat ve kontrol prosedürlerini uygulayın.

Gaz tüpünün boş olup olmadığı nasıl kontrol edilir

- > Bir gaz tüpünün boş ağırlığı genellikle boynuna veya taban halkasına damgalanır. Tüpün tartılması mevcut gaz seviyesini gösterir. Mevcut ağırlık damgalı ağırlıkla eşleşiyorsa tüp boştur. Mevcut ağırlık ile damgalı ağırlık arasındaki fark kalan gazı gösterir.

7 Cihazın çalıştırılması

- > İlk kullanımdan önce, koruyucu ambalaj ve plastiğin cihazdan çıkarıldığından emin olun.
- > Her kullanımda tüm parçaların düzgün çalışır durumda olduğundan emin olun. Gaz kaynağı her bağlandığında veya değiştirildiğinde Gaz kaçakları bölümünde açıklandığı gibi bir gaz kaçağı testi gerçekleştirin.
- > Uzun süreli depolamadan sonra, cihazda gaz akışını etkileyebilecek böcek, pislik ve örümcek ağı olup olmadığını kontrol edin.
- > Bu cihazı yalnızca sağlam ve düz bir yüzeyde kullanın.
- > Kullanım sırasında cihazı hareket ettirmeyin. Bu güvenli olmayan bir uygulamadır ve tutuşmaya neden olabilir.
- > Cihazı yakarken pişirme yüzeylerini kaldırın.
- > Yalnızca 150 mm ile 300 mm aralığında çapa sahip pişirme kapları kullanın.

Ateşleyici kullanarak cihazın yakılması

şekil 6 sayfa 5

- > Gaz brülörünü ateşlemek için ateşleme düğmesine basarken kontrol düğmesini içeri itin ve saat yönünün tersine en yüksek ayara çevirin.
- > Gaz ilk kıvılcımda ateşlenmezse, ateşlemeyi yeniden denemeden önce kontrol düğmesini OFF “•” (KAPALI) konuma geri getirin.
- > Gaz ilk iki ila üç saniye içinde ateşlenmezse, kontrol düğmesini tekrar OFF “•” (KAPALI) konuma getirerek kontrol vanasını kapatmalısınız.
- > Brülör içinde biriken gazın dışarı çıkması için yaklaşık 30 s bekleyin. Gerekirse yukarıdaki işlemleri gaz tutuşana kadar tekrarlayın. Alev normalde ilk bir ila iki saniye içinde yanmalıdır.

Barbekü çakmağı kullanarak cihazı yakma

- > Soğuk bir cihazı yakarken, istenen pişirme yüzeyi yerleştirilmeden önce cihaz brülörün üstünden yakılabilir.
- > Sıcak bir cihazı yakarken cihaz, brülörün altındaki havalandırma deliklerinden birine brülörle aynı hizaya gelene kadar bir barbecue çakmağı sokularak yakılabilir. Barbekü çakmağını doğrudan brülörün altındaki büyük delikten YERLEŞTİRMEYİN.
- > Barbekü çakmağı yerindeyken, gaz brülörünü ateşlemek için içeri itmeden ve kontrol düğmesini saat yönünün tersine çevirmeden önce çakmağı ateşleyin.



NOT

- Cihaz yandıktan sonra, alevi azaltmak için kontrol düğmesini saat yönünde ve alevi artırmak için saat yönünün tersine çevirerek alev yoğunluğunu ayarlayın.
- Yağ içeriği yüksek yiyecekler pişirirken, seçilen ısı ayarı çok yüksekse alevlenme meydana gelebilir. Bu durumda, alevlenme kesilene kadar ısıyı düşürün.
- Kullanımdan sonra, cihazınızın kontrol düğmesinin OFF “•” (KAPALI) konumunda olduğundan ve gaz kaynağını sökmeden önce alevin söndüğünden emin olun.

8 GreenGrill pişirme yüzeyleri

Çoğu CADAC | Dometic pişirme yüzeyi, PFOA içermeyen ve toksik olmayan GreenGrill yapışmaz seramik kaplamaya sahiptir ve daha sağlıklı pişirme sağlar.

Pişirme yüzeyini hazırlamak için

- İlk kullanımdan önce yiyeceklerin yapışmasını önlemek için pişirme yüzeyini hazırlamanız önerilir.
- > Tüm pişirme yüzeyine ince bir tabaka halinde kızartma yağı sürün ve orta ateşte 2-3 dakika ısıtın.
 - > Pişirme yüzeyini ilk sabunlu suyla yıkamadan önce soğumasını bekleyin.
 - > Pişirme yüzeyine yeniden ince bir tabaka halinde yağ sürün. Artık kullanıma hazırdır.

Pişirme yüzeyinizin temizlenmesi

- > Pişirme yüzeylerini suya daldırmadan önce her zaman tamamen soğumasını bekleyin.
- > Pişirme yüzeyinizi ılık, sabunlu su ve yumuşak bir süngerle temizleyin. Ovma süngeri kullanmaktan kaçının.
- > İnatçı lekeleri veya kalıntıları gevşetmek için yıkamaya başlamadan önce pişirme yüzeyini birkaç dakika ılık suda bekletin.

Bakım

- > Temizledikten sonra, yüzeyi hava ve neme karşı korumak için saklamadan önce pişirme yüzeyine az miktarda yağ sürmenizi öneririz.
- > Çoğu pişirme yüzeyi kullanışlı bir depolama çantasıyla birlikte verilir. Yağlanmış pişirme yüzeyini çantasında saklamadan önce plastik bir poşete koyarak çantanın temiz ve kalıntısız kalmasını sağlayın.

Pişirme yöntemleri

- > Izgara: Barbekü ızgarası tavuk, et, balık veya sebzelerin yağsız olarak ızgarada pişirilmesi için idealdir.
- > Tavada kızartma: Düz ızgara tavası balık, pastırma, yumurta, sebze kızartmak ve krep yapmak için mükemmeldir.
- > Kaynatma: Tencere desteği üzerine yerleştirilen uygun bir tencere veya tava ile sos yapmak ya da pilav ve makarna pişirmek çok kolaydır. Pişirme sırasında ısınabilecekleri ve eriyebilecekleri için plastik saplı tencere kullanmaktan kaçının.

Opsiyonel aksesuarlar

- > Pizza Taşı Pro: Pizzalar, yassı ekmekler vb. hazırlamak için idealdir. Pişirme için bir 'fırın' oluşturmak amacıyla kubbenin kullanılması gerekir.
- > Paella Tavas: Eşit ısı dağılımı için yüksek kaliteli preslenmiş alüminyumdan üretilen Paella Tavası, paella'lar, risotto'lar, makarna yemekleri, geleneksel kahvaltılar vb. hazırlamak için mükemmeldir.
- > Cezve Standı: Kahve süzgeciniz veya su ısıtıcınız için mükemmel demleme platformu sağlar.



NOT

- GreenGrill kaplama ısıyı normal (PTFE) yapışmaz kaplamalardan daha iyi iletir. Bu nedenle, normal güç ayarını yalnızca %75'ini kullanmanızı öneririz.
- Pişirme yüzeyinizin zarar görmesini önlemek için asla yağ dökmeyin ısı kaynağının üzerine koymayın.
- Yüksek yanma noktalarına sahip ayçiçeği veya kolza yağı ile kızartma yapmanızı öneririz. Malzemelerin yapışmasına veya yanmasına neden olabilecek düşük yanma noktasına sahip zeytinyağı kullanımı önerilmez. İpucu: Yapışmayı önlemek için kızartmadan önce et veya balığı oda sıcaklığına getirin.
- CADAC | Dometic Soft Soak ve Soft Soak Brush (ayrı satılır), GreenGrill pişirme yüzeyleri için ideal temizlik ürünleridir ve inatçı yiyecek kalıntılarının ıslatılmasına ve çıkarılmasına yardımcı olur.

9 Cihazın temizlenmesi

- > Cihazınızın ömrünü uzatmak için her kullanımdan sonra iyice temizleyin.
- > Cihazı temizlemeden önce soğumasını bekleyin.

- > Cihazın gövdesini temizlemek için nemli bir bez ve gerektiğinde biraz deterjanla silmeniz yeterlidir.
- > Brülör borusuna zarar verebileceğinden ve cihazın arızalanmasına neden olabileceğinden cihazı suya daldırmayın.
- > Suyu brülör ve pilot alevi alanından uzak tutun. Kullanmadan önce cihazı tamamen kurulaştırın.
- > Yüzeylere zarar verebileceğinden aşındırıcı temizleyiciler kullanmayın.
- > Cihazı temizlemek için yüksek basınçlı buhar makinesi veya su jeti kullanmayın.



NOT

İnatçı lekeler için CADAC fırın temizleyicisi kullanılabilir.

10 Depolama

- > Depolamadan önce ünitenin soğumasını bekleyin ve iyice temizleyin.
- > Gaz kaynağını cihazdan ayırmadan önce gaz kaynağının kapalı olduğundan emin olun.
- > Cihazı asla gaz kaynağıyla bağlantılı depolamayın, bu güvenli olmayan bir uygulamadır.
- > Cihazı ve gaz kaynağını yanıcı maddelerden uzakta, iyi havalandırılan bir alanda depolayın. Tüpleri tercihen açık havada saklayın, asla bodrumda veya garajda depolamayın.

11 Bakım ve sorun giderme

- > Düzenli temizlik ve bakım, cihazınızın ömrünü uzatır ve sorun çıkma olasılığını azaltır.
- > Verimli çalışmasını sağlamak için cihazınıza her 12 ayda bir yetkili servis tarafından bakım yapılmasını öneririz.
- > Bu cihazın bakımı yalnızca yetkili bir kişi tarafından yapılmalıdır.
- > Tüm bağlantılarda gaz kaçağı olup olmadığını düzenli olarak ve gaz tüpü yeniden doldurulduğunda veya takıldığında kontrol edin.
- > Sıvı dökülmesi durumunda brülör deliklerini temizleyin.

Arızaların Giderilmesi

- > Verimli çalışmayı sürdürmek için enjektörleri her altı ayda bir temizlemenizi veya değiştirmenizi öneririz.

- > Depolama sonrasında cihaz anormal çalışıyorsa ve kontroller sorunu ortadan kaldırmıyorsa, enjektör tıkanmış olabilir. Tıkalı bir enjektör zayıf sarımsı bir alevden veya hiç alev olmamasından anlaşılabilir. Bu gibi durumlarda, yabancı maddeleri çıkarmak için enjektörü çıkarın ve iyice temizleyin.
- > Enjektörü standart aletler kullanarak sökün ve kir varsa üfleyin. Alternatif olarak, yerel mağazanızdan yeni enjektörler satın alın. Enjektörü mekanik olarak temizlemeye çalışmayın.

Kendi yaptığınız onarımın veya profesyonel olmayan onarımın güvenlikle ilgili sonuçları olabileceğini ve garantiyi geçersiz kılabileceğini unutmayın.

Tıkalı bir enjektörün değiştirilmesi

Cihazınız, doğru gaz miktarını düzenlemek için belirli bir boyuta sahip enjektörle donatılmıştır. Enjektör deliği tıkalıysa, zayıf bir aleve veya hiç alev olmamasına neden olabilir. Enjektöre zarar verebileceğinden ve cihaz için güvenlik riski oluşturabileceğinden, enjektörü bir iğne veya benzer bir cihazla temizlemekten kaçının. Enjektörü değiştirmek için aşağıdakileri yapın:

şekil 7 sayfa 6

1. Yağ tavasını çıkarın.
2. Isı kalkanı plakası üzerindeki üç vidayı sökün ve ısı kalkanını çıkarın.
3. Brülör grubundaki iki vidayı sökün ve bağlı ateşleyici teline zarar vermeden dikkatlice çıkarın.
4. Enjektörü çıkarmak için uygun bir anahtar kullanın, enjektöre zarar verebileceğinden pense kullanmaktan kaçının. Hasar görmemesi için aşırı sıkılamaya dikkat ederek yeni enjektörü valfe vidalayın.

12 Yedek parçalar

şekil 8 sayfa 7



NOT Her zaman orijinal yedek parçalar kullanın. Yardım için yerel tedarikçinizle iletişime geçin.

13 Garanti

Yasal garanti süresi geçerlidir. Ürün kusurluysa lütfen satıcınızla veya ülkenizdeki üretici şubesiyle iletişime geçin. (bkz. www.cadacinternational.com/support)

Onarım ve garanti işlemleri için, ürünü aşağıdaki dokümanlarla birlikte gönderin:

- Satın alma tarihini içeren faturanın bir kopyası
- Talebinizin nedeni veya hatanın açıklanması

14 Teknik Bilgiler

Çizelge 17: Teknik Bilgiler

Kullanıldığı ülke	BE, CH, CY, CZ, ES, FR, GB, GR, IE, IT, LT, LU, LV, PT, SK, SI		PL	BE, CY, DK, EE, FR, FI, HU, IT, LT, NL, NO, SE, SI, SK, RO, HR, TR, BG, IS, LU, MT, ZA	AT, CH, DE, SK
Cihaz kategorisi	I _{3+(28-30/37)}		I _{3B/P (37)}	I _{3B/P (30)}	I _{3B/P (50)}
İzin verilen gazlar	Bütan	Propan	Bütan, propan veya bunların karışımı		
Gaz basıncı	28-30mbar	37mbar	37mbar	28-30mbar	50mbar
Jet numarası	0.68		0.65	0.68	0.61
Nominal kullanım	145g/hr				
Brüt nominal ısı girişi	2kW		2kW	2kW	2kW

Ülke adları ve kısaltmaları

AT = Avusturya	BE = Belçika	BG = Bulgaristan	CH = İsviçre	CY = Kıbrıs
CZ = Çek Cumhuriyeti	DE = Almanya	DK = Danimarka	EE = Estonya	ES = İspanya
FI = Finlandiya	FR = Fransa	GB = Birleşik Krallık	GR = Yunanistan	HR = Hırvatistan
HU = Macaristan	IE = İrlanda	IS = İzlanda	IT = İtalya	LT = Litvanya
LU = Lüksemburg	LV = Letonya	MT = Malta	NL = Hollanda	NO = Norveç
PL = Polonya	PT = Portekiz	RO = Romanya	SE = İsveç	SI = Slovenya
SK = Slovakya	TR = Türkiye			

Slovenščina

1	Pomembna obvestila.....	152
2	Razlaga simbolov.....	152
3	Varnostni napotki.....	152
4	Uhajanje plina.....	154
5	Seznam sestavnih delov.....	154
6	Sestavljanje naprave.....	155
7	Uporaba naprave.....	156
8	Kuhalne površine GreenGrill.....	156
9	Čiščenje naprave.....	157
10	Shranjevanje.....	157
11	Vzdrževanje in odpravljanje težav.....	157
12	Nadomestni deli.....	158
13	Garancija.....	158
14	Tehnični podatki.....	159

1 Pomembna obvestila

Pozorno preberite in upoštevajte vsa navodila, smernice in opozorila iz tega priročnika, da zagotovite pravilno vgradnjo, uporabo in vzdrževanje izdelka. Ta navodila MORATE hraniti skupaj z izdelkom.

Z uporabo izdelka potrjujete, da ste pozorno prebrali vsa navodila, smernice in opozorila ter razumete in upoštevate vsa določila ter pogoje v tem dokumentu. Strinjate se, da boste izdelek uporabljali samo za predvideni namen uporabe in v skladu z navodili, smernicami in opozorili v tem priročniku ter v skladu z vsemi veljavnimi zakoni in predpisi. Če navodil in opozoril v nadaljevanju ne preberete in ne upoštevate, boste morda poškodovali izdelek ali povzročili materialno škodo v bližini. Prizdružujemo si pravico do sprememb in posodobitev priročnika, vključno z navodili, smernicami in opozorili ter povezano dokumentacijo. Za najnovejše informacije o izdelku obiščite documents.dometic.com.

2 Razlaga simbolov

Signalna beseda označuje varnostna sporočila in sporočila o materialni škodi ter stopnjo ali raven nevarnosti.



NEVARNOST!

Označuje nevarno situacijo, ki povzroči smrt ali hude poškodbe, če ni preprečena.



OPOZORILO!

Označuje nevarno situacijo, ki lahko povzroči smrt ali hude poškodbe, če ni preprečena.



POZOR!

Označuje nevarno situacijo, ki lahko povzroči lažje ali zmerne poškodbe, če ni preprečena.



OBVESTILO!

Označuje nevarno situacijo, ki lahko povzroči materialno škodo, če ni preprečena.



NASVET Dodatne informacije za upravljanje izdelka.

3 Varnostni napotki

- > Pozorno preberite ta navodila, da se seznanite z napravo. Če teh pravil ne upoštevate, se vse garancije razveljavijo. Shranite ta navodila za poznejšo uporabo.

Osnovna varnost

- > Neupoštevanje teh opozoril lahko povzroči smrt ali hude poškodbe.



OPOZORILO! Nevarnost zaradi ogljikovega monoksida

- > Tega izdelka nikoli ne uporabljajte v zaprtih prostorih. Pri zgorevanju tekočega plina nastaja ogljikov monoksid, ki se kopiči v zaprtih prostorih.
- > Ta plinska naprava porablja zrak (kisik). Poskrbite, da napravo uporabljajte v dobro prezračevanem območju.
- > Če je v okolju prisotnih več plinskih naprav, poskrbite za dodatno prezračevanje.
- > Tega izdelka ne uporabljajte v neprežračenih območjih, kot so zaprti prostori, šotori, podaljških za šotor, motorna vozila, avtodomi, prikolice ali notranjost čolnov, jaht, ladij in kabine tovornjaka.
- > **Samo za uporabo na prostem.**



OPOZORILO! Nevarnost eksplozije

- > Te naprave ne spreminjajte. Uporabljajte samo, kot je predvideno.
- > Izdelek sme popravljati samo usposobljeno osebje. Neustrezna popravila lahko povzročijo resno tveganje.



OPOZORILO! Nevarnost požara

- > Naprave ne puščajte brez nadzora, ko je vroča ali med uporabo.
- > Za nujne primere pripravite gasilni aparat ali druga sredstva, primerna za gašenje plamena.

Varnost med uporabo

 sl. 1 na strani 2
**NEVARNOST! Nevarnost eksplozije**

- > Naprave ne uporabljajte, če pušča, je poškodovana ali ne deluje pravilno.
- > Naprave ne uporabljajte, če so tesnila poškodovana ali obrabljena.

**POZOR! Nevarnost opeklin**

- > Dostopni deli so lahko zelo vroči. Male otroke držite stran.
- > Za prijemanje vročih komponent uporabite zaščitne rokavice.
- > Med prižiganjem ali uporabo naprave ne nosite ohlapnih oblačil, dolge lase pa spnite.
- > Rok, obraza in las ne približujte gorilnikom.
- > Previdno nadzorujte vse dejavnosti v bližini naprave, da preprečite opeklino ali druge poškodbe.
- > Napravo vedno uporabljajte na trdni in ravni površini. Poskrbite, da je sestavljen izdelek stabilen in se ne maje.
- > Prepričajte se, da so stojalo za ponev/kuhalne površine med uporabo naprave pravilno nameščene.
- > Med uporabo naprave ne premikajte.
- > Otroke in živali varno držite stran.
- > Alkohol ali zdravila na recept oz. brez recepta lahko poslabšajo vaše sposobnosti za pravilno sestavljanje ali varno uporabo tega izdelka.
- > Preden se naprave dotaknete z golimi rokami, počakajte, da se ohladi.

**POZOR! Nevarnost požara**

- > Naprava mora biti med uporabo odmaknjena od vnetljivih materialov. Najmanjše varnostne razdalje so: 120 cm nad napravo ter 60 cm zadaj in ob straneh.
- > Na ta izdelek ali ob njega ne postavljajte nobenih predmetov, razen loncev in ponev za pripravo.
- > Kadar za pripravo uporabljate lonec ali ponev, uporabljajte samo posodo s priporočenim premerom od 150 mm do 300 mm.
- > V bližino naprave ne nameščajte kemikalij, vnetljivih materialov ali razpršil.

- > V primeru požara nemudoma zaprite dovod plina.

Varnostni ukrepi za plin in gibko cev

- > To napravo uporabljajte samo z odobreno gibko cevjo in regulatorjem.

**NEVARNOST! Nevarnost eksplozije**

- > To napravo uporabljajte samo z odobreno gibko cevjo in regulatorjem.
- > Regulatorja na noben način ne spreminjajte ali prilagajajte.
- > Naprave ne uporabljajte, če je gibka cev poškodovana ali obrabljena. Pred vsako uporabo in pred priključitvijo gibke cevi na dovod plina preverite znake poškodb na cevi.
- > Plin se do naprave dovaja prek gibke cevi in regulatorja, priključenega na plinsko jeklenko, ki ne presega teže 9 kg in je skladna z lokalnimi veljavnimi predpisi, ali na enoto CADAC Dometic Power Pak, ki potrebuje dve ali več plinskih kartuš. Če poskušate uporabiti druge vrste plinskih jeklenk ali kartuš, tvegate povzročitev nevarnosti.
- > Uporabljajte samo s plinsko jeklenko, ki ne presega višine 500 mm (brez regulatorja) in širine 350 mm.
- > Dovod plina priključite v dobro prezračevanem območju, po možnosti na prostem, stran od virov vžiga, kot so odprti plameni in ogenj, ter stran od drugih ljudi.
- > Dovod plina držite stran od toplote in plamenov. Ne postavljajte na peč ali druge vroče površine.
- > Kadar priključujete gibko cev na napravo, cev usmerite stran od ohišja naprave. Gibke cevi ne zvijajte ali pregibajte.
- > Med uporabo naj bo dovod plina postavljen pokonci, da se zagotovi ustrezen odjem goriva. V nasprotnem primeru lahko pride do tekočega izpusta in nastanka nevarnih pogojev delovanja.
- > Med uporabo naprave ne odstranjujte dovoda plina.
- > Po uporabi ali med shranjevanjem mora biti dovod plina odklopljen od naprave.

4 Uhanje plina

Uhanje plina zaradi poškodovanih gibkih cevi ali neustreznih priključkov lahko ustvari nevarne okoliščine, ki jih je treba nemudoma odpraviti. Ključnega pomena je, da so vsi priključki za plin pravilno nameščeni in preprečujejo uhanje plina.



NEVARNOST! Nevarnost eksplozije

- > Če zavohate plin, plin nemudoma izklopite na ventilu na plinski jeklenki in na aparatu z obračanjem upravljalnega gumba v smeri urnega kazalca na položaj za "IZKLOP".
- > Odprte plamene pogasite
- > Napravo premaknite na kraj, kjer ni plamenov, in izvedite preskus uhanja plina. Preskus izvedite zunaj, na dobro prezračujem območju in stran od odprtih plamenov ali virov vžiga.
- > Za preverjanje uhanja plina nikoli ne uporabljajte odprtega plamena, ampak uporabite milnico.

Kako izvesti preskus uhanja plina

Preskus uhanja plina morate izvesti po vsakem nameščanju gibke cevi in regulatorja na napravo in dovod plina ter ob vsaki menjavi dovoda plina.



NEVARNOST! Če uhanja plina ne prepoznate in odpravite, lahko pride do morebitnih poškodb ali smrti.

- > Za izvedbo preskusa uhanja plina nanesite milnico na vse priključne točke vzdolž plinske cevi, tj. na priključek med plinsko cevjo in napravo ter na priključek med regulatorjem in dovodom plina.
- > Ventil plinske jeklenke počasi odpirajte, da omogočite pretok plina.
- > Če se na kateri priključni točki pojavijo mehurčki, je to znak uhanja plina.
- > Plin nemudoma izklopite in odklopite dovod plina z naprave. Potrdite, da so vsa tesnila na svojem mestu in v dobrem stanju. Zamenjajte vsa tesnila, ki kažejo znake poškodb.
- > Dovod plina znova priključite na napravo in ponovite preskus uhanja plina.
- > Če uhanje plina ni odpravljeno, vrnite izdelek pooblaščenemu serviserju, ki vam bo pomagal.

Stabilnost plamena

Ob uporabi naprave poskrbite za stabilnost plamena.



OPOZORILO! Nenadzorovano povratno gorenje (plamen, ki gori nazaj v notranjost gorilnika ali ohišje šobe) lahko povzroči nevarne pogoje delovanja.

- > V primeru povratnega gorenja nemudoma izklopite dovod plina tako, da najprej zaprete ventil plinske jeklenke, nato pa upravljalni gumb obrnete na položaj za "IZKLOP". Ko plamen ugasne, odstranite regulator in preverite stanje tesnila; po potrebi zamenjajte.
- > Dovod plina znova priključite in napravo znova prižgite.
- > V primeru, da se povratno gorenje plamena nenehno pojavlja, izdelek vrnite pooblaščenemu serviserju, da ga pregleda.

5 Seznam sestavnih delov

 sl. 2 na strani 3

Sestavni del	Opis
①	Domed lid / Pot
②	Barbecue griddle
③	Flat griddle
④	Pan support
⑤	Drip pan
⑥	Burner
⑦	Control knob
⑧	Igniter
⑨	Quick release connection
⑩	Flat lid
⑪	BBQ 2 Plancha 30
⑫	Paella Pan 30

Sestavni deli modela

Kombinacije modela za serijo so sledeče:

	6545-10	6545-20	6545-25
1	X	X	X

	6545-10	6545-20	6545-25
2	X	X	X
3	X		X
4	X	X	X
5	X	X	X
6	X	X	X
7	X	X	X
8	X	X	X
9			X
10			X
11			
12			

6 Sestavljanje naprave

 sl. 3 na strani 4



OPOZORILO! Osnovna varnost

Noge vsebujejo vzmet. Odpiranje in zapiranje nog mora biti nadzorovano, da ne pride do telesnih poškodb ali škode na vaši napravi.

Odpiranje nog

- > Z naprave odstranite vse nepritrjene dele. Enoto obrnite navzdol in vsako nogo posamezno dvignite. Ko je noga v pravilnem položaju, boste zaslišali "klik".

Zapiranje nog

- > Nogo trdno držite in pritisnite zapah za sprostitvev (M) navzdol. Noge potisnite navznoter, v položaj zapiranja. To storite zaporedoma za optimizacijo prostornine pakiranja, in sicer, najprej zaprite sprednjo levo nogo (1), nato sprednjo desno nogo (2) in nazadnje zadnjo nogo (3).

Priključitev dovoda plina

 sl. 4 na strani 4

	A	B	C
SL	Regulator	Tesnilo	Krmilni ventil

- > Pred priključitvijo naprave na dovod plina se prepričajte, da je gumijasto tesnilo na regulatorju na pravem mestu in v dobrem stanju.

- > Preden na napravo priključite odobreno gibko cev in regulator, se prepričajte, da je upravljalni gumb naprave v položaju za IZKLOP "•".
- > Iz odprtine dovoda plina izpihajte morebitni prah, da preprečite mašenje šobe za vbrizgavanje.
- > Dovod plina namestite v dobro prezračevanem območju, stran od vseh virov vžiga, kot so odprti plameni, in stran od drugih ljudi.
- > Med priključevanjem in menjavo dovoda plina ne kadite.
- > Plinska jeklenka mora biti ves čas shranjena pokonci. Priključite regulator na plinsko jeklenko in ga ročno zategnite, da pritrdite priključek.

Priključitev gibke cevi na napravo

 sl. 5 na strani 5

- > Gibko cev priključite na napravo. Zategnite, da pritrdite priključek. Gibke cevi ne zvijajte ali pregibajte. Poskrbite, da je napeljana stran od ohišja plinske naprave, saj tako preprečite razpadanje/poškodbe na gibki cevi zaradi vročine.
- > S preskusom uhajanja plina, opisanem v poglavju Uhajanje plina, se prepričajte, da je tesnjenje plina popolno. Če uhajanja plina ne morete odpraviti, naprave ne uporabljajte. V primeru dvoma se obrnite na najbližjega dobavitelja.
- > Te varnostne preglede opravite ob vsaki priključitvi naprave na dovod plina.

Odklop in menjava dovoda plina

- > Po uporabi obrnite upravljalni gumb naprave v položaj za IZKLOP "•" in zaprite dovod plina.
- > Kadar morate zamenjati prazno jeklenko, se prepričajte, da je plinski ventil na plinski jeklenki zaprt.
- > Odstranite regulator iz prazne jeklenke in ga namestite na polno jeklenko. Glejte zgodnja navodila za priključitev dovoda plina.
- > Bodite enako pazljivi in uporabite iste postopke pregleda, kot pri nameščanju nove plinske jeklenke.

Kako preveriti, ali je plinska jeklenka prazna

- > Teža prazne plinske jeklenke je običajno natisnjena na vrhu ali podnožju jeklenke. Tehtanje jeklenke prikaže trenutno raven plina. Če se teža ujema z odtisnjeno težo, je jeklenka prazna. Razlika med trenutno težo in natisnjeno težo kaže preostalo količino plina.

7 Uporaba naprave

- > Pred prvo uporabo se prepričajte, da je z naprave odstranjena vsa zaščitna embalaža ali plastika.
- > Pri vsaki uporabi se prepričajte, da so vsi deli v dobrem delovnem stanju. Ob vsaki priključitvi ali menjavi dovoda plina izvedite preskus uhajanja plina, opisan v poglavju Uhajanje plina.
- > Po daljšem shranjevanju preglejte, ali naprava vsebuje kakšne žuželke, drobir ali pajčevino, ki lahko vpliva na pretok plina.
- > Napravo uporabljajte samo na trdni ravni površini.
- > Med uporabo naprave ne premikajte. To ni varno ravnanje in lahko povzroči izbruh plamenov.
- > Pri prižiganju naprave odstranite vse kuhalne površine.
- > Uporabite samo posode za kuhanje s premerom od 150 mm do 300 mm.

Pržig naprave z vžigalnim gumbom

sl. 6 na strani 5

- > Za vžig plinskega gorilnika, pritisnite in obrnite upravljalni gumb v nasprotni smeri urnega kazalca do najvišje nastavitve, hkrati pa pritisnite gumb vžigalnika.
- > Če se plin ob prvi iskrni ne prižge, pred ponovnim poskusom vžig obrnite upravljalni gumb nazaj na položaj za IZKLOP "•".
- > Če se plin v prvih dveh do treh sekundah ne prižge, zaprite krmilni ventil tako, da obrnete upravljalni gumb nazaj na položaj za IZKLOP "•".
- > Počakajte približno 30 s, da se morebitni zbrani plin v gorilniku sprosti. Po potrebi ponovite zgornji postopek, dokler se plamen ne prižge. Plamen se mora običajno prižgati v prvih dveh sekundah.

Pržig naprave z vžigalnikom za žar

- > Kadar prižigate hladno napravo, jo lahko prižgete z zgornje strani gorilnika pred namestitvijo želene kuhalne površine.
- > Kadar prižigate vročo napravo, jo lahko prižgete tako, da vžigalnik za žar potisnete skozi eno od izpušnih odprtih pod gorilnikom in ga poravnate z gorilnikom. Vžigalnika za žar NE potiskajte skozi veliko odprtino, neposredno pod gorilnikom.
- > Ko je vžigalnik za žar na ustreznem mestu, najprej prižgete vžigalnik, nato pa pritisnite in obrnite upravljalni gumb v nasprotni smeri urnega kazalca, da prižgete plinski gorilnik.



NASVET

- Ko plamen v napravi gori, lahko prilagodite moč plamena z obračanjem upravljalnega gumba v smeri urnega kazalca, da zmanjšate plamen, oziroma v nasprotni smeri urnega kazalca, da plamen povečate.
- Pri pripravi hrane z visoko vsebnostjo maščobe, lahko pride do izbruha plamenov, če je izbrana nastavitev toplote previsoka. Če se to pripeti, zmanjšajte toploto, dokler se plamen ne povrne v normalno stanje.
- Po uporabi in preden odstranite dovod plina se prepričajte, da je upravljalni gumb vaše naprave v položaju za IZKLOP "•", plamen pa je ugasnjen.

8 Kuhalne površine GreenGrill

Večina kuhalnih površin CADAC | Dometic vsebuje keramični premaz proti prijemanju GreenGrill, ki ne vsebuje PFOA in ni strupen, hkrati pa omogoča bolj zdravo pripravo hrane.

Priprava kuhalne površine

Pred prvo uporabo priporočamo, da pripravite kuhalno površino in tako preprečite prijemanje hrane.

- > Na celotno kuhalno površino nanesite tanek sloj olja za kuhanje in 2 do 3 minute segrevajte na srednji temperaturi.
- > Kuhalna površina naj se ohladi, preden jo pomijete v topli milnici.
- > Na kuhalno površino znova nanesite tanek sloj olja. Zdaj je pripravljena za uporabo.

Čiščenje kuhalne površine

- > Vedno počakajte, da se kuhalna površina v celoti ohladi, preden jo potopite v vodo.
- > Kuhalno površino očistite s toplo milnico in mehko gobico. Izogibajte se uporabi grobih čistilnih gobic.
- > Za odstranjevanje trdovratnih madežev in ostankov kuhalno površino nekaj minut namakajte v topli vodi in jo nato poskusite ponovno očistiti.

Vzdrževanje

- > Po čiščenju priporočamo, da na kuhalno površino pred shranjevanjem nanesete majhno količino olja, da jo zaščitite pred zrakom in vlago.

- > Večina kuhalnih površin je dobavljenih s priročno torbo za shranjevanje. Pred shranjevanjem v namensko torbo pospravite naoljeno kuhalno površino v plastično vrečko, da preprečite prenos umazanije in ostankov na torbo.

Načini priprave

- > Priprava na žaru: Rešetka za žar je popolna za pripravo piščanca, mesa, rib ali zelenjave na žaru brez uporabe maščobe.
- > Cvrtje v ponvi: Ravna žar plošča je popolna za cvrtje hitro prepraženih jedi, rib, slanine, jajc in zelenjave ter za pripravo palačink.
- > Kuhanje: Priprava omak ali kuhanje riža in testenin je z uporabo ustreznega lonca ali ponve, ki ga položite na stojalo za ponve, preprosta. Izogibajte se uporabi posod s plastičnimi ročajmi, saj lahko med pripravo postanejo vroči in se stopijo.

Izbirna dodatna oprema

- > Profesionalen kamen za piko: Popoln za pripravo pic, nekvašenega kruha ipd. Uporaba pokrova je obvezna, saj ustvari učinek "pečice" za peko.
- > Ponev za paello: Izdelana iz visokokakovostnega stisnjene aluminija za enakomerno porazdelitev toplote, je ta ponev za paello popolna za pripravo paelle, rižot, jedi s testeninami, tradicionalnih zajtrkov itd.
- > Stojalo za lonec za kavo: Zagotavlja popolno stojalo za pripravo kave v kafetjeri ali kotličku.



NASVET

- Premaz GreenGrill prevaja toploto bolje kot običajni premazi proti prijemanju (PTFE). Zato priporočamo, da uporabljate samo 75 % običajne nastavitve moči.
- Da preprečite poškodbe kuhalne površine, je nikoli ne puščajte na viru toplote brez premaza olja.
- Priporočamo, da za cvrtje uporabite sončnično ali repično olje, ki imata visoke točke dimljenja. Uporaba olivnega olja ni priporočena zaradi nizke točke dimljenja, ki lahko povzroči prijemanje ali zažgano hrano. Nasvet: pred cvrtjem pustite, da se meso ali riba ogrejeta na sobno temperaturo in tako preprečite prijemanje.
- CADAC | Dometic Soft Soak in krtača Soft Soak (naprodaj ločeno) sta popolna pripomočka za čiščenje kuhalnih površin GreenGrill, saj pripomoreta pri namakanju in odstranjevanju trdovratnih ostankov hrane.

9 Čiščenje naprave

- > Za daljšo življenjsko dobo vaše naprave jo po vsaki uporabi dobro očistite.
- > Pred čiščenjem počakajte, da se naprava ohladi.
- > Ohišje naprave očistite tako, da ga preprosto obrišete z vlažno krpo in, po potrebi, majhno količino detergenta.
- > Naprave ne potaplajte v vodo, saj lahko to poškoduje gorilno cev in posledično povzroči okvaro naprave.
- > Preprečite dostop vode do območja gorilnikov in pilotnega plamena. Pred uporabo napravo popolnoma osušite.
- > Ne uporabljajte grobih čistil, saj lahko poškodujejo površino.
- > Za čiščenje naprave ne uporabljajte visokotlačnih parnih naprav ali visokotlačnih naprav z vodnim curkom.



NASVET

Za trdovratne madeže lahko uporabite čistilo za pečice CADAC.

10 Shranjevanje

- > Pred shranjevanjem pustite, da se enota ohladi in jo dobro očistite.
- > Prepričajte se, da je dovod plina pred odklopom z naprave izklopljen.
- > Ne shranjujte naprave s priključenim dovodom plina, to je nevarna praksa.
- > Napravo in dovod plina shranjujte v dobro prezračenem območju, stran od vnetljivih snovi. Jeklenke je najbolje hraniti na prostem, nikoli v kleti ali garaži.

11 Vzdrževanje in odpravljanje težav

- > Redno čiščenje in vzdrževanje bo podaljšalo življenjsko dobo vaše naprave in zmanjšalo verjetnost nastanka težav.
- > Za učinkovito delovanje priporočamo, da vsakih 12 mesecev poskrbite za servisiranje naprave pri serviserju.
- > Servis naprave lahko opravi samo pooblaščen oseba.

- > Redno pregledujte vse priključke za znake uhajanja in ob vsakem ponovnem polnjenju ali zamenjavi plinske jeklenke.
- > Če pride do prelitja, očistite izhode gorilnika.

Odpravljanje težav

- > Za dolgotrajno učinkovito delovanje priporočamo čiščenje ali menjavo šob za vbrizgavanje vsakih šest mesecev.
- > Če naprava po shranjevanju ne deluje normalno in pregledi ne odkrijejo vzroka, je lahko težava v zamašeni šobi za vbrizgavanje. Zamašena šoba za vbrizgavanje se kaže kot šibkejši rumenkast plamen ali odsotnost plamena. V takšnih primerih šobo za vbrizgavanje odstranite in temeljito očistite, da odstranite morebitne tujke.
- > Šobo za vbrizgavanje odstranite z uporabo standardnih orodij in izpihajte morebitno umazanijo. Lahko pa tudi kupite nove šobe za vbrizgavanje pri svojem lokalnem prodajalcu. Ne izvajajte mehanskega čiščenja šobe za vbrizgavanje.

Menjava zamašene šobe za vbrizgavanje

Vaša naprava je opremljena s šobo za vbrizgavanje določene velikosti za regulacijo ustrezne količine plina. Če je šoba za vbrizgavanje zamašena, lahko to povzroči šibak plamen ali odsotnost plamena. Izogibajte se čiščenju šobe za vbrizgavanje z buciko ali podobnimi pripomočki, saj lahko to poškoduje šobo za vbrizgavanje in posledično predstavlja varnostno tveganje za napravo. Za menjavo šobe za vbrizgavanje sledite korakom:

sl. 7 na strani 6

1. Odstranite posodo za maščobo.
2. Odstranite tri vijake na plošči za toplotno zaščito in odstranite toplotno zaščito.
3. Odstranite dva vijaka na sestavu gorilnika in ga odstranite, pri tem pa pazite, da ne poškodujete vodnika za vžig.
4. Z ustreznim ključem odstranite šobo za vbrizgavanje, pri tem se izogibajte uporabi klešč, ki lahko poškodujejo šobo za vbrizgavanje. Novo šobo za vbrizgavanje privijte v ventil, a je ne zategnite premočno, da ne pride do poškodbe.

12 Nadomestni deli

sl. 8 na strani 7



NASVET Vedno uporabite originalne nadomestne dele. Za pomoč se obrnite na svojega lokalnega dobavitelja.

13 Garancija

Velja zakonsko določen garancijski rok. Če je izdelek pokvarjen, se obrnite na svojega trgovca ali podružnico proizvajalca v svoji državi. (glejte www.cadacinternational.com/support)

Za obravnavanje zahtevkov popravil oz. garancijskih zahtevkov morate skupaj z izdelkom poslati naslednjo dokumentacijo:

- kopijo računa z datumom nakupa,
- razlog za reklamacijo ali opis napake.

Upoštevajte, da lahko imajo lastnoročna ali neprofesionalna popravila varnostne posledice in lahko razveljavijo garancijo.

14 Tehnični podatki

Tabela 18: Tehnični podatki

Država uporabe	BE, CH, CY, CZ, ES, FR, GB, GR, IE, IT, LT, LU, LV, PT, SK, SI		PL	BE, CY, DK, EE, FR, FI, HU, IT, LT, NL, NO, SE, SI, SK, RO, HR, TR, BG, IS, LU, MT, ZA	AT, CH, DE, SK
Kategorija naprave	L _{3+(28-30/37)}		L _{3B/P (37)}	L _{3B/P (30)}	L _{3B/P (50)}
Dovoljeni plini	Butan	Propan	Butan, propan ali njuna mešanica		
Plinski tlak	28–30 mbar	37 mbar	37 mbar	28–30 mbar	50 mbar
Številka šobe	0.68		0.65	0.68	0.61
Nominalna uporaba	145 g/h				
Bruto nazivna moč ogrevanja	2 kW		2 kW	2 kW	2 kW

Imena in okrajšave držav

AT = Avstrija	BE = Belgija	BG = Bolgarija	CH = Švica	CY = Ciper
CZ = Češka republika	DE = Nemčija	DK = Danska	EE = Estonija	ES = Španija
FI = Finska	FR = Francija	GB = Združeno kraljestvo	GR = Grčija	HR = Hrvaška
HU = Madžarska	IE = Irska	IS = Islandija	IT = Italija	LT = Litva
LU = Luksemburg	LV = Latvija	MT = Malta	NL = Nizozemska	NO = Norveška
PL = Poljska	PT = Portugalska	RO = Romunija	SE = Švedska	SI = Slovenija
SK = Slovaška	TR = Turčija			

Română

1	Observații importante.....	160
2	Explicația simbolurilor.....	160
3	Indicații de securitate.....	160
4	Scurgeri de gaz.....	162
5	Lista componentelor.....	162
6	Asamblarea aparatului.....	163
7	Exploatarea aparatului.....	164
8	Suprafețele de gătit GreenGrill.....	165
9	Curățarea aparatului.....	165
10	Depozitarea.....	166
11	Întreținere și depanare.....	166
12	Piese de schimb.....	166
13	Garanție.....	166
14	Date tehnice.....	167

1 Observații importante

Citiți cu atenție și respectați toate instrucțiunile, indicațiile și avertismentele incluse în acest manual de produs pentru a vă asigura că instalați, utilizați și întrețineți produsul în permanentă. Aceste instrucțiuni TREBUIE păstrate cu acest produs.

Prin utilizarea produsului, confirmați că ați citit cu atenție toate instrucțiunile, indicațiile și avertismentele și că înțelegeți și sunteți de acord să respectați termenii și condițiile stabilite. Sunteți de acord să utilizați acest produs numai pentru scopul și aplicația prevăzute și în conformitate cu instrucțiunile, indicațiile și avertismentele prezentate în acest manual de produs, precum și în conformitate cu toate legile și reglementările aplicabile. Nerespectarea instrucțiunilor și avertismentelor prezentate aici poate duce la vătămarea personală a utilizatorului sau a altora, la deteriorarea produsului sau a altor bunuri din apropiere. Acest manual al produsului, inclusiv instrucțiunile, indicațiile și avertismentele și documentația aferentă pot fi supuse modificărilor și actualizărilor. Pentru informații actualizate despre produs, vă rugăm să vizitați documents.dometic.com.

2 Explicația simbolurilor

Un cuvânt de semnalizare identifică mesajele de siguranță și mesajele privind daunele materiale și, de asemenea, indică gradul sau nivelul de gravitate a pericolului.



PERICOLI!

Indică o situație periculoasă care, dacă nu este evitată, va provoca moartea sau răni grave.



AVERTIZARE!

Indică o situație periculoasă care, dacă nu este evitată, poate provoca moartea sau răni grave.



PRECAUȚIE!

Indică o situație periculoasă care, dacă nu este evitată, poate provoca răni minore sau medii.



ATENȚIE!

Indică o situație care, dacă nu este evitată, poate duce la pagube materiale.



INDICAȚIE Informații complementare privind operarea produsului.

3 Indicații de securitate

- > Citiți cu atenție aceste instrucțiuni pentru a vă familiariza cu aparatul. Toate garanțiile vor deveni nule dacă nu respectați aceste instrucțiuni. Păstrați aceste instrucțiuni pentru consultare ulterioară.

Informații generale de siguranță

- > Nerespectarea acestor avertismente poate duce la moarte sau vătămări corporale grave.



AVERTIZARE! Pericol de monoxid de carbon

- > Nu utilizați niciodată acest produs în interior. Procesul de ardere a gazului lichefiat produce monoxid de carbon, care se acumulează în spațiile închise.
- > Acest aparat pe gaz consumă aer (oxigen). Asigurați-vă că aparatul este utilizat într-o zonă bine aerisită.
- > Asigurați o ventilație suplimentară dacă mai multe aparate cu gaz sunt adăugate în mediu.
- > Nu utilizați acest produs în zone neaerisite precum spații închise, corturi, copertine, autovehicule, autorulote, rulote sau în interiorul navelor, iahturilor, ambarcațiunilor și cabinelor de camion.
- > **A se utiliza numai în exterior.**



AVERTIZARE! Pericol de explozie

- > Nu modificați acest aparat. Utilizați numai conform destinației de utilizare.
- > Acest produs poate fi reparat doar de către personal calificat. Reparațiile necorespunzătoare pot cauza riscuri grave.



AVERTIZARE! Pericol de incendiu

- > Nu lăsați acest aparat nesupravegheat când este fierbinte sau în funcțiune.

- > Țineți la îndemână un stingător de incendii sau alte mijloace adecvate pentru stingerea unei flăcări în caz de urgență.

Siguranța în utilizare

 fig. 1 pagină 2



PERICOL! Pericol de explozie

- > Nu folosiți acest aparat dacă prezintă scurgeri, deteriorări sau dacă nu funcționează corect.
- > Nu folosiți aparatul dacă are garnituri deteriorate sau uzate.



PRECAUȚIE! Pericol de arsuri

- > Părțile accesibile pot fi fierbinți. Nu lăsați copiii mici să se apropie.
- > Folosiți mănuși de protecție când manevrați componente fierbinți.
- > Nu purtați haine largi și nu lăsați părul lung desfăcut când aprindeți sau folosiți acest produs.
- > Nu apropiați mâinile, fața și părul de arzătoare.
- > Monitorizați cu atenție toate activitățile din jurul acestui produs pentru a evita arsurile sau alte vătămări corporale.
- > Exploatați întotdeauna aparatul pe o suprafață plană și stabilă. Asigurați-vă că produsul asamblat este stabil și nu se balansează.
- > Asigurați-vă că suportul pentru tigaie/suprafețele de gătit sunt așezate corect atunci când utilizați aparatul.
- > Nu mutați acest aparat în timpul utilizării.
- > Nu lăsați copiii și animalele de companie să se apropie la o distanță nesigură.
- > Folosirea alcoolului sau a medicamentelor cu sau fără rețetă v-ar putea afecta capacitatea de a asambla corect sau de a utiliza în siguranță acest aparat.
- > Lăsați acest produs să se răcească înainte de a-l atinge cu mâinile goale.



PRECAUȚIE! Pericol de incendiu

- > În timpul utilizării, acesta aparat trebuie ținut la distanță de materiale inflamabile. Distanțele minime de siguranță sunt: 120 cm deasupra aparatului și 60 cm în spate și laterale.

- > Nu amplasați alte obiecte decât vase de gătit pe sau sprijinit de acest aparat.
- > Când utilizați o oală sau tigaie pentru a găti, utilizați numai dimensiunea recomandată de 150 mm până la 300 mm în diametru.
- > Nu amplasați substanțe chimice, materiale inflamabile sau aerosoli în apropierea acestui aparat.
- > În caz de incendiu, opriți imediat alimentarea cu gaz.

Măsuri de siguranță pentru gaz și furtun

- > Utilizați acest aparat numai cu un furtun și un regulator aprobate.



PERICOL! Pericol de explozie

- > Utilizați acest aparat numai cu un furtun și un regulator aprobate.
- > Nu modificați regulatorul în niciun fel.
- > Nu utilizați un aparat dacă furtunul este deteriorat sau uzat. Verificați dacă furtunul este deteriorat înainte de fiecare utilizare și înainte de a-l conecta la sursa de gaz.
- > Gazul este furnizat aparatului printr-un furtun și regulator, conectate la o butelie de gaz care nu depășește 9 kg și care respectă reglementările locale în vigoare, sau la un CADAC Dometic Power Pak, care este o unitate ce conține două sau mai multe cartușe de gaz. Ar putea fi periculos să încercați să montați alte tipuri de butelii de gaz sau cartușe de gaz.
- > A se utiliza numai cu o butelie de gaz care nu depășește 500 mm înălțime (fără a include regulatorul) și 350 mm lățime.
- > Conectați sursa de gaz într-o zonă bine aerisită, de preferință în aer liber, la distanță de surse de aprindere precum flăcări deschise și focuri și la distanță de alte persoane.
- > Țineți sursa de gaz la distanță de căldură și flacără. Nu așezați pe o sobă sau pe orice altă suprafață fierbințe.
- > Când atașați furtunul la aparat, direcționați furtunul la distanță de corpul aparatului. Nu răsuciți sau ciupiți furtunul.
- > În timpul utilizării, mențineți sursa de gaz în poziție verticală pentru a asigura o retragere adecvată a combustibilului. Nerespectarea acestui lucru poate cauza

scurgeri de lichid, ceea ce duce la condiții de funcționare periculoase.

- > Nu deconectați sursa de gaz în timp ce acest aparat este în funcțiune.
- > Sursa de gaz trebuie deconectată de la acest aparat după utilizare sau în timpul depozitării.

4 Scurgeri de gaz

Scurgerile de gaz de la furtunurile deteriorate sau racordurile necorespunzătoare pot crea condiții periculoase și trebuie remediate imediat. Este esențial ca toate racordurile de gaz să fie montate corect, pentru a preveni scurgerile de gaz.



PERICOL! Pericol de explozie

- > Dacă simțiți miros de gaz, opriți imediat gazul de la robinetul buteliei de gaz, precum și pe aparat, rotind butonul de comandă în sensul acelor de ceasornic la poziția „OFF” (oprit).
- > Stingeți orice flăcări deschise
- > Mutați aparatul într-un loc fără flăcări și efectuați un test de scurgeri de gaz. Acest test trebuie efectuat în exterior, într-o zonă bine aerisită, la distanță de flăcări deschise sau surse de aprindere.
- > Nu folosiți niciodată o flăcără deschisă pentru a verifica dacă există scurgeri de gaz, folosiți apă cu săpun.

Cum să efectuați un test de scurgeri de gaz

Un test de scurgeri de gaz trebuie efectuat de fiecare dată când se montează un furtun și un regulator pe aparat și sursa de gaz, precum și de fiecare dată când sursa de gaz este schimbată.



PERICOL! Neidentificarea și necontrolarea unei scurgeri de gaz poate duce la potențiale vătămări corporale sau moarte.

- > Pentru a efectua un test de scurgeri de gaz, aplicați apă cu săpun la toate punctele de racord de-a lungul furtunului de gaz, adică la toate racordurile dintre furtunul de gaz și aparat și la racordul dintre regulator și sursa de gaz.
- > Deschideți lent robinetul buteliei de gaz pentru a permite gazului să circule.

- > Dacă se formează bule în orice punct de racord, atunci există o scurgere de gaz.
- > Opriti imediat gazul și deconectați alimentarea cu gaz de la aparat. Verificați dacă toate garniturile sunt la locul și în stare bună. Înlocuiți orice garniturile care prezintă semne de deteriorare.
- > Reconectați alimentarea cu gaz la aparat și efectuați din nou testul de scurgeri de gaz.
- > În cazul în care scurgerea de gaz persistă, returnați produsul agentului dvs. de reparații autorizat pentru asistență.

Stabilitatea flăcării

Asigurați-vă că flacăra este stabilă atunci când utilizați aparatul.



AVERTIZARE! Retroaprindearea necontrolată (flacăra arde înapoi în interiorul arzătorului sau a carcasei duzei) poate duce la condiții de funcționare periculoase.

- > În caz de retroaprindeare, opriți imediat alimentarea cu gaz, închizând mai întâi robinetul buteliei de gaz, apoi rotind butonul de comandă al aparatului la poziția „OFF”. După ce flacăra a fost stinsă, scoateți regulatorul și verificați starea garniturii; înlocuiți-o dacă este necesar.
- > Reconectați alimentarea cu gaz și reaprindeți aparatul.
- > În cazul în care retroaprindearea persistă, returnați produsul agentului dvs. de reparații autorizat pentru verificare.

5 Lista componentelor

 fig. 2 pagină 3

Componentă	Denumire
①	Domed lid / Pot
②	Barbecue griddle
③	Flat griddle
④	Pan support
⑤	Drip pan
⑥	Burner
⑦	Control knob

Componentă	Denumire
⑧	Igniter
⑨	Quick release connection
⑩	Flat lid
⑪	BBQ 2 Plancha 30
⑫	Paella Pan 30

Componente model

Combi-națiile de model pentru gamă sunt următoarele:

	6545-10	6545-20	6545-25
1	X	X	X
2	X	X	X
3	X		X
4	X	X	X
5	X	X	X
6	X	X	X
7	X	X	X
8	X	X	X
9			X
10			X
11			
12			

6 Asamblarea aparatului

 fig. 3 pagină 4



AVERTIZARE! Informații generale de siguranță

Picioarele sunt prevăzute cu arcuri. Deschiderea și închiderea picioarelor trebuie efectuate într-un mod controlat, pentru a evita vătămările corporale sau deteriorarea aparatului dvs.

Pentru a deschide picioarele

- > Scoateți toate piesele nefixate ale aparatului. Întoarceți unitatea cu susul în jos și ridicați fiecare picior individual. Veți auzi un „clic” atunci când piciorul este poziționat corect.

Pentru a plia picioarele

- > Țineți bine piciorul și apăsați în jos clema de eliberare a piciorului (M). Împingeți picioarele spre interior în poziția închis. Acest lucru trebuie făcut secvențial pentru a optimiza spațiul de ambalare, începând cu piciorul din față stânga (1), urmat de piciorul din față dreapta (2) și, în cele din urmă, piciorul din spate (3).

Conectarea sursei de alimentare cu gaz

 fig. 4 pagină 4

	A	B	C
RO	Regulator	Garnitură	Supapă de comandă

- > Înainte de a conecta aparatul la sursa de gaz, asigurați-vă că garnitura din cauciuc de pe regulator este în poziție și în stare bună.
- > Înainte de a conecta la aparat un furtun și un regulator aprobate, verificați dacă butonul de comandă al aparatului este în poziția OPRIT „•”.
- > Eliminați praful din orificiul de alimentare cu gaz pentru a preveni posibila blocare a injectorului.
- > Asigurați-vă că sursa de gaz este montată într-un loc bine aerisit, la distanță de orice sursă de aprindere, cum ar fi flăcări deschise, și la distanță de alte persoane.
- > Nu fumați în timp ce racordați sau încărcați sursa de gaz.
- > Asigurați-vă că butelia de gaz este permanent în poziție verticală. Racordați regulatorul la butelia de gaz și strângeți la mână pentru a asigura racordul.

Conectarea furtunului la aparat

 fig. 5 pagină 5

- > Conectați furtunul la aparat. Strângeți pentru a asigura racordul. Nu răsuciți sau ciupiți furtunul. Asigurați-vă că este dispus la distanță de corpul aparatului pe gaz, pentru a preveni deteriorarea furtunului din cauza căldurii.
- > Asigurați-vă că etanșeitatea la gaz a fost realizată, prin efectuarea unui test de scurgeri de gaz, după cum este descris în capitolul Scurgeri de gaz. Dacă nu puteți remedia o scurgere de gaz, nu folosiți aparatul. Dacă aveți îndoieli, contactați cel mai apropiat distribuitor.
- > Efectuați toate aceste verificări de siguranță de fiecare dată când conectați aparatul la o sursă de gaz.

Deconectarea și schimbarea sursei de gaz

- > După utilizare, rotiți butonul de comandă al aparatului la poziția OPRIT „•” și închideți alimentarea cu gaz.
- > Când este necesară înlocuirea buteliei goale, asigurați-vă că robinetul de gaz de pe butelie este închis.
- > Scoateți regulatorul de pe butelia goală și atașați-l unei butelii pline. Consultați instrucțiunile de mai sus pentru conectarea sursei de alimentare cu gaz.
- > Exercițiți aceeași grijă și aplicați aceleași proceduri de verificare precum la montarea unei butelii de gaz noi.

Cum să verificați dacă butelia de gaz este goală

- > Greutatea la gol a unei butelii de gaz este, de obicei, ștanțată pe gâtul acesteia sau pe inelul de picior. Cântărirea buteliei va indica nivelul actual de gaz. Dacă greutatea coincide cu greutatea ștanțată, butelia este goală. Diferența dintre greutatea curentă și greutatea ștanțată indică gazul rămas.

7 Exploatarea aparatului

- > Înainte de prima utilizare, asigurați-vă că orice ambalaj de protecție și materiale din plastic sunt îndepărtate de pe aparat.
- > La fiecare utilizare, asigurați-vă că toate piesele sunt în stare bună de funcționare. Efectuați un test de scurgeri de gaz, după cum este descris în capitolul Scurgeri de gaz, de fiecare dată când sursa de gaz este conectată sau schimbată.
- > După depozitare prelungită, inspectați aparatul pentru orice insecte, resturi și pânze de păianjen care pot afecta circulația gazului.
- > Utilizați acest aparat numai pe o suprafață plană și stabilă.
- > Nu mutați aparatul în timpul utilizării. Aceasta este o practică nesigură și poate provoca o izbucnire de flacără.
- > Îndepărtați orice suprafețe de gătit atunci când aprindeți aparatul.
- > Utilizați numai vase de gătit cu un diametru cuprins între 150 mm și 300 mm.

Aprinderea aparatului folosind aprinzătorul

 fig. 6 pagină 5

- > Pentru a aprinde arzătorul cu gaz, apăsați și rotiți butonul de comandă în sens invers acelor de ceasornic la setarea maximă în timp ce apăsați butonul de aprindere.
- > Dacă gazul nu se aprinde la prima scânteie, rotiți butonul de comandă înapoi în poziția OPRIT „•” înainte de a reîncerca aprinderea.
- > Dacă gazul nu s-a aprins în primele două până la trei secunde, ar trebui să închideți supapa de comandă rotind butonul de comandă înapoi la poziția OPRIT „•”.
- > Așteptați aproximativ 30 s pentru a permite evacuarea gazului acumulat în arzător. Repetați procesul de mai sus, dacă este necesar, până când flacăra se aprinde. În mod normal, flacăra ar trebui să se aprindă în primele una sau două secunde.

Aprinderea aparatului cu o brichetă pentru grătar

- > Când aprindeți un aparat rece, aparatul poate fi aprins din partea de sus a arzătorului înainte de a monta suprafața de gătit dorită.
- > Când aprindeți un aparat fierbinte, aparatul poate fi aprins prin introducerea unei brichete de grătar printr-unul dintre orificiile de aerisire de sub arzător până când acesta este aliniat cu arzătorul. NU introduceți bricheta pentru grătar prin orificiul mare, direct sub arzător.
- > Cu bricheta de grătar pe poziție, aprindeți mai întâi bricheta înainte de a împinge și a roti butonul de comandă în sens invers acelor de ceasornic pentru a aprinde arzătorul pe gaz.



INDICAȚIE

- Odată ce aparatul este aprins, reglați intensitatea flăcării rotind butonul de comandă în sensul acelor de ceasornic pentru a reduce flacăra și în sens invers acelor de ceasornic pentru a crește flacăra.
- Când gătiți alimente cu un conținut ridicat de grăsime, poate apărea o izbucnire de flacără dacă setarea de căldură selectată este prea mare. Dacă se întâmplă acest lucru, reduceți căldura până când izbucnirea dispăre.
- După utilizare, asigurați-vă că butonul de comandă al aparatului dvs. este în poziția OPRIT „•” și că flacăra este stinsă înainte de a deconecta sursa de gaz.

8 Suprafețele de gătit GreenGrill

Cele mai multe suprafețe de gătit CADAC | Dometic au un strat ceramic antiaderent GreenGrill, care nu conține PFOA și nu este toxic, permițând gătit mai sănătos.

Pentru a pregăti suprafața de gătit

Înainte de prima utilizare, se recomandă să pregățiți suprafața de gătit pentru a preveni lipirea alimentelor.

- > Aplicați un strat subțire de ulei de gătit pe toată suprafața de gătit și încălziți-l la foc mediu timp de 2-3 minute.
- > Lăsați suprafața de gătit să se răcească înainte de a o spăla în apă caldă cu săpun.
- > Aplicați din nou un strat subțire de ulei pe suprafața de gătit. Acum este gata de utilizare.

Curățarea suprafeței de gătit

- > Lăsați întotdeauna suprafețele de gătit să se răcească complet înainte de a le scufunda în apă.
- > Curățați suprafața de gătit cu apă caldă și săpun și un burete moale. Evitați utilizarea bureților abrazivi.
- > Pentru a elimina petele sau reziduurile persistente, înmuiați suprafața de gătit timp de câteva minute în apă caldă înainte de a încerca să o spălați.

Întreținere

- > După curățare, vă recomandăm să întindeți o cantitate mică de ulei pe suprafața de gătit înainte de depozitare, pentru a proteja suprafața de aer și umiditate.
- > Majoritatea suprafețelor de gătit sunt furnizate cu o husă de depozitare comodă. Puneți suprafața de gătit unsă cu ulei într-o pungă de plastic înainte de a o depozita în husă, pentru a menține husa curată și fără reziduuri.

Metode de gătit

- > Grătar: Grătarul este ideal pentru a prăji fără grăsime pui, carne, pește sau legume.
- > Tigaie: Placa plată este perfectă pentru a prăji cartofi prăjiți, pește, bacon, ouă și legume și pentru a face clătite.
- > Fierbere: Pregătirea sosurilor sau gătitul orezului și a pastelor este ușoară folosind o oală sau o tigaie adecvată, plasată pe suportul pentru tigaie. Evitați să folosiți vase de gătit cu mânere din plastic, deoarece acestea se pot încălzi în timpul gătitului și se pot topi.

Accesorii opționale

- > Pizza Stone Pro: Ideală pentru prepararea de pizza, lipii etc. Utilizarea cupolei este necesară pentru a crea un „cuptor” pentru coacere.
- > Tigaie pentru paella: Fabricată din aluminiu presat de înaltă calitate pentru o distribuție uniformă a căldurii, tigaia pentru paella este perfectă pentru prepararea de paella, risotto, feluri de mâncare cu paste, mic dejun tradițional etc.
- > Suport de cafetieră: Oferă platforma perfectă de preparare pentru filtrul sau ibricul de cafea.



INDICAȚIE

- Stratul GreenGrill conduce căldura mai bine decât straturile antiaderente obișnuite (PTFE). Prin urmare, vă recomandăm să utilizați doar 75% din setarea obișnuită de putere.
- Pentru a evita deteriorarea suprafeței de gătit, nu o lăsați niciodată pe sursa de căldură fără un strat de ulei.
- Vă recomandăm să prăjiți cu ulei de floarea soarelui sau de rapiță, datorită punctelor de ardere mai înalte. Utilizarea uleiului de măsline nu este recomandată din cauza punctului său de ardere mai scăzut, care poate face ca ingredientele să se lipească sau să se ardă. Sfat: lăsați carnea sau peștele să atingă temperatura camerei înainte de prăjire, pentru a preveni lipirea.
- CADAC | Dometic Soft Soak și Soft Soak Brush (vândute separat) sunt produse de curățare ideale pentru suprafețele de gătit GreenGrill, ajutând la înmuiere și la îndepărtarea reziduurilor alimentare persistente.

9 Curățarea aparatului

- > Pentru a prelungi durata de viață a aparatului, curățați-l temeinic după fiecare utilizare.
- > Lăsați aparatul să se răcească înainte de a-l curăța.
- > Pentru a curăța corpul aparatului, pur și simplu ștergeți-l cu o lavetă umedă și puțin detergent, după cum este necesar.
- > Nu scufundați aparatul în apă, deoarece acest lucru poate deteriora tubul arzătorului și provoca defectarea aparatului.
- > Nu lăsați apa să pătrundă în arzătoare și în zona flăcării pilot. Uscați complet aparatul înainte de utilizare.

- > Nu utilizați produse de curățare abrazive, deoarece acestea pot deteriora suprafețele.
- > Nu utilizați aparate de curățat cu aburi de înaltă presiune sau un jet de apă pentru a curăța aparatul.



INDICAȚIE

Pentru pete persistente, puteți utiliza soluție de curățat cuptoare CADAC.

10 Depozitarea

- > Lăsați unitatea să se răcească și curățați bine înainte de depozitare.
- > Asigurați-vă că sursa de gaz este oprită înainte de a deconecta de la aparat.
- > Nu depozitați niciodată un aparat cu sursa de gaz conectată; aceasta este o practică nesigură.
- > Depozitați aparatul și sursa de gaz într-o zonă bine aerisită, la distanță de combustibili. De preferință, depozitați buteliile în aer liber, niciodată într-un subsol sau garaj.

11 Întreținere și depanare

- > Curățarea și întreținerea regulată vor prelungi durata de viață a aparatului și vor reduce probabilitatea problemelor.
- > Vă recomandăm să dispuneți verificarea aparatului de către un agent de service la fiecare 12 luni pentru a asigura o funcționare eficientă.
- > Acest aparat trebuie întreținut numai de o persoană autorizată.
- > Verificați în mod regulat toate conexiunile pentru scurgeri și de fiecare dată când butelia de gaz este reumplută sau atașată.
- > Curățați porturile arzătorului în cazul în care se varsă ceva.

Remediarea defecțiunilor

- > Recomandăm curățarea sau înlocuirea injectoarelor la fiecare șase luni, pentru a menține funcționarea eficientă.
- > Dacă aparatul funcționează anormal după depozitare și verificările nu depistează problema, este posibil ca injectorul să fie blocat. Un injector blocat este indicat de o flacără gălbuie mai slabă sau de lipsa flăcării. În astfel de cazuri, scoateți și curățați temeinic injectorul pentru a îndepărta orice materie străină.

- > Scoateți injectorul folosind unelte standard și eliminați orice murdărie. Alternativ, cumpărați injectoare noi de la magazinul local. Nu încercați curățarea mecanică a injectorului.

Înlocuirea unui injector blocat

Aparatul dvs. este prevăzut cu un injector de o dimensiune anume pentru a regla cantitatea corectă de gaz. Dacă orificiul injectorului este blocat, poate cauza o flacără slabă sau lipsa flăcării. Evitați curățarea injectorului cu un ac sau un dispozitiv similar, deoarece acesta poate deteriora injectorul, prezentând un risc de siguranță pentru aparat. Pentru a înlocui injectorul, procedați în felul următor:

fig. 7 pagină 6

1. Scoateți tava de grăsime.
2. Scoateți cele trei șuruburi de pe placa scutului termic și scoateți scutul termic.
3. Scoateți cele două șuruburi de pe ansamblul arzătorului și scoateți-l, având grijă să nu deteriorați firul de aprindere conectat.
4. Folosiți o cheie adecvată pentru a scoate injectorul; evitați utilizarea cleștilor, deoarece acest lucru poate deteriora injectorul. Înșurubați noul injector în supapă, având grijă să nu strângeți prea mult pentru a evita deteriorarea.

12 Piese de schimb

fig. 8 pagină 7



INDICAȚIE Utilizați întotdeauna piese de schimb originale. Contactați furnizorul local pentru ajutor.

13 Garanție

Se aplică termenul de garanție legal. În cazul în care produsul este defect, vă rugăm să contactați sucursala distribuitorului sau producătorului din țara dvs. (consultați www.cadacinternational.com/support)

Pentru reparații și procesarea garanției, vă rugăm să includeți următoarele documente atunci când trimiteți produsul:

- O copie a facturii cu data cumpărării
- Un motiv de reclamație sau o descriere a defecțiunii.

Rețineți că repararea prin mijloace proprii sau reparațiile neprofesionale pot avea consecințe asupra securității și pot anula garanția.

14 Date tehnice

Tabel 19. Date tehnice

Țara de utilizare	BE, CH, CY, CZ, ES, FR, GB, GR, IE, IT, LT, LU, LV, PT, SK, SI		PL	BE, CY, DK, EE, FR, FI, HU, IT, LT, NL, NO, SE, SI, SK, RO, HR, TR, BG, IS, LU, MT, ZA	AT, CH, DE, SK
Categorie de aparat	l _{3+(28-30/37)}		l _{3B/P (37)}	l _{3B/P (30)}	l _{3B/P (50)}
Gaze permise	Butan	Propan	Butan, propan sau amestecul acestora		
Presiune a gazului	28-30mbar	37mbar	37mbar	28-30mbar	50mbar
Număr de duze	0.68		0.65	0.68	0.61
Utilizare nominală	145g/hr				
Puterea termică nominală brută	2kW		2kW	2kW	2kW

Denumirile și abrevierile țărilor

AT = Austria	BE = Belgia	BG = Bulgaria	CH = Elveția	CY = Cipru
CZ = Republica Cehă	DE = Germania	DK = Danemarca	EE = Estonia	ES = Spania
FI = Finlanda	FR = Franța	GB = Regatul Unit	GR = Grecia	HR = Croația
HU = Ungaria	IE = Irlanda	IS = Islanda	IT = Italia	LT = Lituania
LU = Luxemburg	LV = Letonia	MT = Malta	NL = Țările de Jos	NO = Norvegia
PL = Polonia	PT = Portugalia	RO = România	SE = Suedia	SI = Slovenia
SK = Slovacia	TR = Turcia			

Български език

1	Важни бележки.....	168
2	Обяснение на символите.....	168
3	Указания за безопасност.....	168
4	Течове на газ.....	170
5	Списък на компонентите.....	171
6	Сгпобяване на уреда.....	171
7	Работа с уреда.....	172
8	Повърхности за готвене GreenGrill.....	173
9	Почистване на уреда.....	174
10	Съхранение.....	174
11	Поддръжка и отстраняване на неизправности.....	174
12	Резервни части.....	175
13	Гаранция.....	175
14	Технически данни.....	176

1 Важни бележки

Моля, прочетете внимателно тези инструкции и спазвайте всички указания, напътствия и предупреждения, включени в настоящото ръководство, за да сте сигурни, че монитрате, използвате и поддържате правилно този продукт. Тези инструкции ТРЯБВА да се съхраняват с продукта.

Като използвате продукта, Вие потвърждавате, че сте прочели внимателно всички указания, напътствия и предупреждения и че разбирате и приемате да спазвате сроковете и условията, съдържащи се в тях. Вие се съгласявате да използвате този продукт само по предназначение и в съответствие с указанията, инструкциите и предупрежденията, описани в ръководството на продукта, както и в съответствие с всички приложими закони и разпоредби. Ако не прочетете и не спазвате инструкциите и предупрежденията, това може да доведе до наранявания за вас или за други хора, щети по продукта или щети по други предмети в близост до него. Това ръководство на продукта, включително указанията, инструкциите и предупрежденията и другата документация, подлежи на промяна и обновяване. За актуална информация за продукта, моля, посетете documents.dometic.com.

2 Обяснение на символите

Сигналната дума идентифицира съобщенията за безопасност и за материални щети, както и степента или нивото на сериозност на опасността.



ОПАСНОСТ!

Показва опасна ситуация която, ако не бъде избегната, ще доведе до смърт или тежко нараняване.



ПРЕДУПРЕЖДЕНИЕ!

Показва опасна ситуация която, ако не бъде избегната, може да доведе до смърт или тежко нараняване.



ВНИМАНИЕ!

Показва опасна ситуация която, ако не бъде избегната, може да доведе до леко или средно нараняване.



ВНИМАНИЕ!

Показва ситуация която, ако не бъде избегната, ще доведе до щети по имуществото.



УКАЗАНИЕ Допълнителна информация за боравенето с продукта.

3 Указания за безопасност

- > Прочетете внимателно тези инструкции, за да се запознаете с уреда. Ако не спазвате тези инструкции, всички гаранции се обезсилват. Запазете тези инструкции за бъдещи справки.

Обща безопасност

- > Несъобразяването с тези предупреждения може да доведе до смърт или сериозно нараняване.



ПРЕДУПРЕЖДЕНИЕ! Опасност от въглероден оксид

- > Никога не използвайте този продукт на закрито. Процесът на изгаряне на течен газ произвежда въглероден оксид, който се натрупва в затворени помещения.
- > Този газов уред консумира въздух (кислород). Уверете се, че уредът се използва на добре проветриво място.
- > Осигурете допълнителна вентилация, ако се добавят повече газови уреди в околната среда.
- > Не използвайте този продукт в непроветриви помещения, като например затворени помещения, палатки, тенти, моторни превозни средства, кемпери, каравани или вътре в кораби, яhti, лодки и кабинни на камиони.
- > **Използвайте само на открито.**



ПРЕДУПРЕЖДЕНИЕ! Опасност от експлозия

- > Не модифицирайте този уред. Използвайте го само по предназначение.
- > Този продукт може да бъде ремонтиран само от квалифициран персонал.

Неправилни ремонти могат да доведат до сериозен риск.



ПРЕДУПРЕЖДЕНИЕ! Опасност от пожар

- > Не оставяйте този уред без надзор, когато е горещ или се използва.
- > Дръжте в готовност пожарогасител или други средства, подходящи за гасене на пламък в случай на авария.

Безопасност по време на употреба

 **фиг. 1** на страница 2



ОПАСНОСТ! Опасност от експлозия

- > Не използвайте този уред, ако има изтичане, повреда или не работи правилно.
- > Не използвайте уреда, ако има повредени или износени уплътнения.



ВНИМАНИЕ! Опасност от изгаряне

- > Достъпните части може да бъдат много горещи. Дръжте малките деца на разстояние.
- > Използвайте предпазни ръкавици при работа с горещи компоненти.
- > Не носете широки дрехи и не позволявайте на дългата коса да виси свободно, докато запалвате или използвате този продукт.
- > Не приближавайте ръцете, лицето и косата си до горелките.
- > Внимателно наблюдавайте цялата активност около този продукт, за да избегнете изгаряния или други наранявания.
- > Винаги работете с уреда върху твърда и равна повърхност. Уверете се, че сплобенят продукт е стабилен и не се клати.
- > Уверете се, че опората на тигана/повърхностите за готвене са правилно поставени, когато използвате уреда.
- > Не премествайте този уред по време на работа.
- > Дръжте децата и домашните любимци на безопасно разстояние.
- > Употребата на алкохол или лекарства, отпускани с рецепта или без рецепта,

може да наруши способността Ви да сплобите правилно или да работите безопасно с този уред.

- > Оставете продукта да се охлади добре, преди да го докосвате с голи ръце.



ВНИМАНИЕ! Опасност от пожар

- > Този уред трябва да се държи далеч от запалими материали по време на употреба. Минималните безопасни разстояния са: 120 cm над уреда и 60 cm в задната част и отстраня.
- > Не поставяйте други предмети, освен готварски тенджери и тигани, върху или до този уред.
- > Когато използвате тенджерата или тиган за готвене, използвайте само препоръчителния размер на тенджерата с диаметър от 150 mm до 300 mm.
- > Не поставяйте химикали, запалими материали или аерозоли в близост до този уред.
- > В случай на пожар незабавно изключете подаването на газ.

Предпазни мерки за безопасност за газ и маркучи

- > Използвайте този уред само с одобрен маркуч и регулатор.



ОПАСНОСТ! Опасност от експлозия

- > Използвайте този уред само с одобрен маркуч и регулатор.
- > Не променяйте и не модифицирайте регулатора по никакъв начин.
- > Не използвайте уреда, ако маркучът е повреден или износен. Проверявайте маркуча за повреди преди всяка употреба и преди да го свържете към подаването на газ.
- > Газът се подава към уреда чрез маркуч и регулатор, свързан към газова бутилка с тегло не повече от 9 kg, отговаряща на действащите местни разпоредби, или към CADAC Dometic Power Pak – устройство, което побира две или повече газови касети. Опитът за монтиране на други видове газови бутилки или газови касети може да бъде опасен.

- > Да се използва само с газова бутилка с височина не повече от 500 mm (без регулатора) и ширина 350 mm.
- > Свържете подаването на газ на добре проветриво място, за предпочитане на открито, далеч от източници на запалване като открити пламъци и огньове и далеч от други хора.
- > Дръжте подаването на газ далеч от топлина и пламък. Не поставяйте върху печка или друга гореща повърхност.
- > Когато свързвате маркуча към уреда, насочвайте маркуча далеч от корпуса на уреда. Не усуквайте и не прищипвайте маркуча.
- > По време на работа дръжте газовата бутилка в изправено положение, за да осигурите правилното изтегляне на горивото. Ако не го направите, това може да доведе до изпускане на течност и опасни условия на работа.
- > Не изключвайте подаването на газ, докато този уред се използва.
- > Подаването на газ трябва да бъде изключено от този уред след употреба или при съхранение.

4 Течове на газ

Течове на газ от повредени маркучи или неправилни връзки могат да създадат опасни условия и трябва да бъдат отстранени незабавно. Изключително важно е всички газови връзки да са правилно монтирани, за да се предотврати изтичане на газ.



ОПАСНОСТ! Опасност от експлозия

- > Ако усетите миризма на газ, незабавно изключете газа от вентила на газовата бутилка и от уреда, като завъртите копчето за управление по посока на часовниковата стрелка в „ИЗКЛ.“ положение.
- > Изгасете всички открити пламъци
- > Преместете уреда на незапалимо място и направете тест за изтичане на газ. Този тест трябва да се извърши навън, на добре проветриво място, далеч от открит огън или източници на запалване.
- > Никога не използвайте открит пламък, за да проверите за изтичане на газ, използвайте сапунена вода.

Как се извършва проверка за изтичане на газ

Проверката за изтичане на газ трябва да се извършва при всяко монтиране на маркуч и регулатор към уреда и подаване на газ, както и при всяка смяна на подаването на газ.



ОПАСНОСТ! Ако не успеете да идентифицирате и контролирате изтичането на газ, това може да доведе до потенциално нараняване или смърт.

- > За да извършите проверка за теч на газ, нанесете сапунена вода върху всички точки на свързване по протежение на газовия маркуч, т.е. върху връзката между газовия маркуч и уреда и върху връзката между регулатора и подаването на газ.
- > Бавно отворете вентила на газовата бутилка, за да позволите подаването на газ.
- > Ако в някоя от точките на свързване се образуват мехурчета, значи има изтичане на газ.
- > Незабавно изключете газа и прекъснете подаването на газ от уреда. Уверете се, че всички уплътнения са на мястото си и са в добро състояние. Подменете всички уплътнения, които показват признаци на повреда.
- > Свържете отново подаването на газ към уреда и извършете отново проверката за изтичане на газ.
- > Ако изтичането на газ продължава, върнете продукта в оторизиран сервис за помощ.

Стабилност на пламъка

Уверете се, че пламъкът е стабилен, когато използвате уреда.



ПРЕДУПРЕЖДЕНИЕ!

Неконтролираното избухване на пламък (пламък, който изгаря обратно в корпуса на горелката или дюзата) може да доведе до опасни условия на работа.

- > В случай на избухване на пламък незабавно изключете подаването на газ, като първо затворите вентила на газовата бутилка, а след това завъртите копчето за управление на уреда на „ИЗКЛ.“. След като пламъкът угасне, свалете

регулатора и проверете състоянието на уплътнението; ако е необходимо, го сменете.

- > Свържете отново подаването на газ и запалете отново уреда.
- > Ако пламъкът продължава да избухва, върнете продукта в оторизиран сервиз за оценка.

5 Списък на компонентите

 **фиг. 2** на страница 3

Компонент	Описание
①	Domed lid / Pot
②	Barbecue griddle
③	Flat griddle
④	Pan support
⑤	Drip pan
⑥	Burner
⑦	Control knob
⑧	Igniter
⑨	Quick release connection
⑩	Flat lid
⑪	BBQ 2 Plancha 30
⑫	Paella Pan 30

Компоненти на модела

Комбинациите от модели за гамата са следните:

	6545-10	6545-20	6545-25
1	X	X	X
2	X	X	X
3	X		X
4	X	X	X
5	X	X	X
6	X	X	X
7	X	X	X
8	X	X	X
9			X
10			X
11			

	6545-10	6545-20	6545-25
12			

6 Сглобяване на уреда

 **фиг. 3** на страница 4



ПРЕДУПРЕЖДЕНИЕ! Обща безопасност

Краката са с пружинен механизъм.

Отварянето и затварянето на краката трябва да се извършва контролирано, за да се избегне нараняване или повреда на уреда.

Отваряне на краката

- > Отстранете всички хлабави части от уреда. Обърнете устройството с главата надолу и повдигнете всеки крак поотделно. Ще чуете „щракване“, когато кракът е поставен правилно.

Сгъване на краката

- > Задръжте здраво крака и натиснете надолу клипса за освобождаване на крака (M). Избухайте краката навътре до затворено положение. Това трябва да се направи последователно, за да се оптимизира пространството за опаковане, като се започне с предния ляв крак (1), след това с предния десен крак (2) и накрая със задния крак (3).

Свързване на подаването на газ

 **фиг. 4** на страница 4

	A	B	C
BG	Регулатор	Уплътнение	Регулиращ вентил

- > Преди да свържете уреда към подаване на газ, се уверете, че гуменото уплътнение на регулатора е на мястото си и е в добро състояние.
- > Преди да свържете одобрен маркуч и регулатор към уреда, проверете дали колчето за управление на уреда е в ИЗКП. „•“ положение.
- > Издухайте всички прах от отвора за подаване на газ, за да предотвратите евентуално запушване на инжектора.
- > Уверете се, че подаването на газ е монтирано на добре проветриво място, далеч от всякакви източници на запалване, като например открити пламъци, и далеч от други хора.
- > Не пушете, докато свързвате или променят подаването на газ.

- > Уверете се, че газовата бутилка се държи във вертикално положение през цялото време. Свържете регулатора към газовата бутилка и затегнете ръчно, за да закрепите връзката.

Свързване на маркуча към уреда

фиг. 5 на страница 5

- > Свържете маркуча към уреда. Затегнете, за да закрепите връзката. Не усуквайте и не прищипвайте маркуча. Уверете се, че маркучът е насочен далеч от корпуса на газовия уред, за да се предотврати влошаване на състоянието му или повреда, причинена от топлината.
- > Уверете се, че е направено пълно газово уплътнение, като извършите проверка за изтичане на газ, както е описано в главата Течове на газ. Ако не можете да отстраните изтичането на газ, не използвайте уреда. Ако се съмнявате, свържете се с най-близкия си търговец на дребно.
- > Извършвайте всички тези проверки за безопасност всеки път, когато свързвате уреда към подаването на газ.

Изключване и смяна на подаването на газ

- > След употреба завъртете копчето за управление на уреда в ИЗКП. „•“ положение и затворете подаването на газ.
- > Когато трябва да подмените празната бутилка, уверете се, че газовият вентил на бутилката е затворен.
- > Свалете регулатора от празната бутилка и го прикрепете към пълната бутилка. Вижте инструкциите по-горе за начина на свързване на подаването на газ.
- > Прилагайте същите грижи и процедури за проверка, както при монтирането на нова газова бутилка.

Как да проверите дали газовата бутилка е празна

- > Теглото на празната газова бутилка обикновено е шамповано на гърлото или на пръстена в основата. Претеглянето на бутилката показва текущото ниво на газ в нея. Ако теглото съвпада с шампованото тегло, бутилката е празна. Разликата между текущото тегло и шампованото тегло показва оставащото количество газ.

7 Работа с уреда

- > Преди първата употреба се уверете, че всички защитни опаковки и пластмаси са отстранени от уреда.
- > При всяка употреба се уверете, че всички части са в добро работно състояние. Извършвайте проверка за изтичане на газ, както е описано в главата Течове на газ, при всяко свързване или смяна на подаването на газ.
- > След продължително съхранение проверете уреда за наличие на насекоми, боклуци и паяжини, които могат да повлияят на газовия поток.
- > Използвайте този уред само върху стабилна равна повърхност.
- > Не премествайте уреда, когато се използва. Това е опасна практика и може да доведе до запалване.
- > При запалване на уреда отстранете всички повърхности за готвене.
- > Използвайте само съдове за готвене с диаметър от 150 mm до 300 mm.

Запалване на уреда с помощта на запалителя

фиг. 6 на страница 5

- > За да запалите газовата горелка, натиснете и завъртете копчето за управление в посока, обратна на часовниковата стрелка, до най-високата му стойност, като същевременно натиснете бутона за запалителя.
- > Ако газта не се възпламени при първата искра, завъртете копчето за управление обратно в ИЗКП. „•“ положение, преди да опитате отново да запалите.
- > Ако газта не се възпламени през първите две-три секунди, трябва да затворите регулиращия вентил, като завъртите копчето за управление обратно в ИЗКП. „•“ положение.
- > Изчакайте около 30 s, за да може натрупаният в горелката газ да излезе. Ако е необходимо, повторете горния процес, докато пламъкът се възпламени. Обикновено пламъкът трябва да се запали през първите една-две секунди.

Запалване на уреда с помощта на запалка за барбекю

- > При запалване на студен уред уредът може да се запали от горната част на горелката, преди да се постави желаната повърхност за готвене.

- > При запалване на горещ уред уредът може да се запали, като се пхне запалка за барбекю в един от вентилационните отвори под горелката, докато се изравни с горелката. НЕ поставяйте запалката за барбекю през големия отвор точно под горелката.
- > След като поставите запалката за барбекю, първо запалете запалката, преди да натиснете и завъртите копчето за управление по посока, обратна на часовниковата стрелка, за да запалите газовата горелка.



УКАЗАНИЕ

- След като уредът е запален, регулирайте интензивността на пламъка, като завъртите копчето за управление по посока на часовниковата стрелка, за да намалите пламъка, и по посока, обратна на часовниковата стрелка, за да увеличите пламъка.
- При готвене на храна с високо съдържание на мазнини може да се получи възпламеняване, ако избраната настройка на топлината е твърде висока. Ако това се случи, намалете температурата, докато пламъкът спре.
- След употреба се уверете, че копчето за управление на уреда е в ИЗКЛ. „•“ положение и че пламъкът е угасен, преди да премахнете подаването на газ.

8 Повърхности за готвене GreenGrill

Повечето повърхности за готвене на CADAC | Dometic имат незалепащо керамично покритие GreenGrill, което не съдържа PFOA и е нетоксично, което позволява по-здравословно готвене.

Подготовка на повърхността за готвене

Преди първата употреба се препоръчва да подготвите повърхността за готвене, за да предотвратите запелването на храната.

- > Нанесете тънък слой олио върху цялата повърхност за готвене и я загрейте на среден огън за 2 – 3 минути.
- > Оставете повърхността за готвене да изстине, преди да я измиете с топла сапунена вода.
- > Нанесете отново тънък слой олио върху повърхността за готвене. Вече е готова за употреба.

Почистване на повърхността за готвене

- > Винаги оставайте повърхностите за готвене да изстинат напълно, преди да ги потопяте във вода.
- > Почистете повърхността за готвене с топла сапунена вода и мека гъба. Избягвайте използването на груби гъби за почистване.
- > За да разчистите упорити петна или остатъци, наксинете повърхността за готвене за няколко минути в топла вода, преди да се опитате да я измиете.

Поддръжка

- > След почистването препоръчваме да намажете повърхността за готвене с малко количество олио, преди да я съхранявате, за да я предпазите от въздух и влага.
- > Повечето повърхности за готвене се доставят с удобна чанта за съхранение. Поставете намазаната с олио повърхност за готвене в найлонов плик, преди да я съхранявате в чантата, за да запазите чантата чиста и без остатъци.

Методи на готвене

- > Печене на скара: Грилът за барбекю е идеален за печене на пиле, месо, риба или зеленчуци без мазнина.
- > Пържене в тиган: Плоската плоча за грил е идеална за пържене на пържени ястия, риба, бекон, яйца и зеленчуци, както и за приготвяне на палачинки.
- > Варене: Приготвянето на сосове или готвенето на ориз и паста е лесно с помощта на подходяща тенджерка или тиган, поставени върху поставката за тиган. Избягвайте да използвате съдове за готвене с пластмасови дръжки, тъй като те могат да се нагорещат по време на готвене и да се разтопят.

Допълнителни аксесоари

- > Камък за пици Pro: Идеален за приготвяне на пици, плоски хлябове и още. Необходимо е да се използва куполът, за да се създаде „фурна“ за печене.
- > Тиган за паеля: Тиганът за паеля, който е изработен от висококачествен пресован алуминий за равномерно разпределение на топлината, е идеален за приготвяне на паеля, ризото, ястия с паста, традиционни закуски и още.
- > Стойка за кафеварка: Осигурява перфектната платформа за приготвяне на кафе за перколатора или чайника.



УКАЗАНИЕ

- Покритието GreenGrill отвежда топлината по-добре от обикновените незалепащи покрития (PTFE). Затова препоръчваме да използвате само 75% от обичайната настройка на мощността.
- За да избегнете повреда на повърхността за готвене, никога не я оставяйте върху източника на топлина без слой олио.
- Препоръчваме да пържите със слънчогледово или рапично олио поради високата им температура на изгаряне. Използването на зехтин не се препоръчва поради по-ниската му температура на изгаряне, която може да доведе до залепване или изгаряне на съставките. Съвет: загрейте месото или рибата до стайна температура преди пържене, за да предотвратите залепване.
- CADAC | Dometic Soft Soak и Soft Soak Brush (продават се отделно) са идеални почистващи продукти за повърхностите за готвене GreenGrill, които помагат за поливането и отстраняването на упоритите остатъци от храна.

9 Почистване на уреда

- > За да удължите експлоатационния живот на уреда си, почиствайте го добре след всяка употреба.
- > Оставете уреда да се охлади, преди да го почистите.
- > За да почистите корпуса на уреда, просто го избършете с влажна кърпа и малко почистващ препарат, ако е необходимо.
- > Не потапяйте уреда във вода, тъй като това може да доведе до повреда на тръбата на горелката и до неправилно функциониране на уреда.
- > Пазете водата далеч от горелките и зоната на запалване. Изсушете уреда напълно преди употреба.
- > Не използвайте абразивни почистващи препарати, тъй като те могат да повредят повърхностите.
- > Не използвайте почистващ уред с пара под високо налягане или водна струя за почистване на уреда.



УКАЗАНИЕ

За упорити петна може да се използва почистващ препарат за фурни CADAC.

10 Съхранение

- > Оставете уреда да изстине и го почистете добре, преди да го съхранявате.
- > Уверете се, че подаването на газ е изключено, преди да го изключите от уреда.
- > Никога не съхранявайте уреда с включено подаване на газ, това е опасна практика.
- > Съхранявайте уреда и подаването на газ на добре проветриво място, далеч от запалими материали. За предпочитане е да съхранявате бутилките на открито, никога в мазе или гараж.

11 Поддръжка и отстраняване на неизправности

- > Редовното почистване и поддръжка ще удължат експлоатационния живот на уреда и ще намалят вероятността от възникване на проблеми.
- > Препоръчваме да обслужвате уреда на всеки 12 месеца от сервизен агент, за да се гарантира ефективната му работа.
- > Този уред трябва да се обслужва само от упълномощено лице.
- > Редовно проверявайте всички връзки за течове, както и всеки път, когато газовата бутилка се пълни отново или се свързва.
- > Почистете отворите на горелката в случай на преливане.

Отстраняване на неизправности

- > Препоръчваме да почиствате или сменят инжекторите на всеки шест месеца, за да поддържате ефективна работа.
- > Ако уредът работи необичайно след съхранение и проверките не изолират проблема, инжекторът може да е блокиран. Блокираният инжектор се отличава с по-слаб жълтеникав пламък или пълна липса на пламък. В такива случаи извадете и почистете добре инжектора, за да отстраните всички чужди тела.
- > Извадете инжектора с помощта на стандартни инструменти и издухайте всички замърсявания. Можете също така да закупите нови инжектори от местния магазин. Не правете опити за механично почистване на инжектора.

Смяна на блокиран инжектор

Вашият уред е оборудван с инжектор с определен размер, който регулира правилното количество газ. Ако отворът на инжектора е запушен, това може да

доведе до слаб пламък или до пълна липса на пламък. Избягвайте да почиствате инжектора с карфица или подобен уред, тъй като това може да повреди инжектора и да създаде риск за безопасността на уреда. За да смените инжектора, направете следното:

 **фиг. 7** на страница 6

1. Отстранете съда за мазнина.
2. Отстранете трите винта на плочата на топлинния щит и свалете топлинния щит.
3. Отвийте двата винта на сплобката на горелката и я свалете, като внимавате да не повредите свързания проводник на запалителя.
4. Използвайте подходящ гаечен ключ, за да извадите инжектора; не използвайте клещи, тъй като това може да повреди инжектора. Завинтете новия инжектор във вентила, като внимавате да не го затегнете прекалено, за да избегнете повреда.

12 Резервни части

 **фиг. 8** на страница 7



УКАЗАНИЕ Винаги използвайте оригинални резервни части. Свържете се с местния си доставчик за помощ.

13 Гаранция

Важи гаранционният срок, определен от закона. Ако продуктът е дефектен, моля, обърнете се към търговеца или филиала на производителя във Вашата държава. (вижте www.cadacinternational.com/support)

За обработката на гаранцията и ремонта, моля приложете следните документи, когато изпращате продукта:

- Копие от фактурата с дата на покупката
- Причина за претенцията или описание на дефекта

Забележете, че самостоятелен или непрофесионален ремонт може да има последствия за безопасността и може да анулира гаранцията.

14 Технически данни

Таблица 20: Технически данни

Държава на използване	BE, CH, CY, CZ, ES, FR, GB, GR, IE, IT, LT, LU, LV, PT, SK, SI		PL	BE, CY, DK, EE, FR, FI, HU, IT, LT, NL, NO, SE, SI, SK, RO, HR, TR, BG, IS, LU, MT, ZA	AT, CH, DE, SK
Категория на уреда	I _{3+(28-30)/37}		I _{ЗВ/Р (37)}	I _{ЗВ/Р (30)}	I _{ЗВ/Р (50)}
Допустими газове	Бутан	Пропан	Бутан, пропан или тяхната смес		
Налягане на газа	28 – 30 mbar	37mbar	37mbar	28 – 30 mbar	50mbar
Номер на дюза	0.68		0.65	0.68	0.61
Номинална употреба	145 g/час				
Брутна номинална топлинна мощност	2kW		2kW	2kW	2kW

Имена и съкращения на държави

AT = Австрия	BE = Белгия	BG = България	CH = Швейцария	CY = Кипър
CZ = Чешка република	DE = Германия	DK = Дания	EE = Естония	ES = Испания
FI = Финландия	FR = Франция	GB = Обединеното кралство	GR = Гърция	HR = Хърватия
HU = Унгария	IE = Ирландия	IS = Исландия	IT = Италия	LT = Литва
LU = Люксембург	LV = Латвия	MT = Малта	NL = Нидерландия	NO = Норвегия
PL = Полша	PT = Португалия	RO = Румъния	SE = Швеция	SI = Словения
SK = Словакия	TR = Турция			

Eesti keel

1	Olulised märkused.....	177
2	Sümbolite selgitus.....	177
3	Ohutusjuhised.....	177
4	Gaasilekked.....	179
5	Komponentide loend.....	179
6	Seadme kokkupanek.....	180
7	Seadme kasutamine.....	180
8	GreenGrilli küpsetusplaat.....	181
9	Seadme puhastamine.....	182
10	Hoiustamine.....	182
11	Hooldus ja rikete kõrvaldamine.....	182
12	Varuosad.....	183
13	Garantii.....	183
14	Tehnilised andmed.....	184

1 Olulised märkused

Lugege see juhend tähelepanelikult läbi ja järgige kõiki selles esitatud juhiseid, suuniseid ja hoiatusi, et tagada alati toote õigesti paigaldamine, kasutamine ning hooldamine. See juhend PEAB jääma selle toote juurde.

Toote kasutamisega kinnitate, et olete kõik juhised, suunised ja hoiatused tähelepanelikult läbi lugenud ning mõistate ja nõustute järgima nendes sätestatud tingimusis. Nõustute kasutama seda toodet üksnes ettenähtud eesmärgil ja otstarbel ning kooskõlas kasutusjuhendis sätestatud juhiste, suuniste ja hoiatustega, samuti kooskõlas kõigi kohaldatavate õigusaktide ja eeskirjadega. Siin sätestatud juhiste ja hoiatuste lugemise ja järgimise eiramine võib põhjustada vigastusi teile ja kolmandatele isikutele, kahjustada teie toodet või läheduses asuvat muud vara. Toote kasutusjuhendit, sh juhiseid, suuniseid ja hoiatusi, ning seotud dokumente võidakse muuta ja uuendada. Värskeima tooteteabe leiate veebisaidilt documents.domestic.com.

2 Sümbolite selgitus

Signaalsõna tähistab ohutusteateid ja varalise kahju teateid ning näitab ka ohu raskusastet või taset.



OHU!

Viitab ohtlikule olukorrale, mis eiramise korral lõpeb surma või raske vigastusega.



HOIATUS!

Viitab ohtlikule olukorrale, mis eiramise korral võib lõppeda surma või raske vigastusega.



ETTEVAATUST!

Viitab ohtlikule olukorrale, mis eiramise korral võib lõppeda kerge või keskmise vigastusega.



TÄHELEPANU!

Viitab ohtlikule olukorrale, mis eiramise korral võib lõppeda varalise kahjuga.



MÄRKUS Lisateave toote käitamiseks.

3 Ohutusjuhised

- > Seadmega tutvumiseks lugege need juhised hoolikalt läbi. Kui te juhiseid ei järgi, kaitavad kõik garantiid kehtivuse. Hoidke need juhised edaspidiseks kasutamiseks alles.

Üldine ohutus

- > Nende hoiatuste mittejärgimine põhjustab raskeid vigastusi või surma.



HOIATUS! Süsinikmonooksiidi oht

- > Ärge kasutage seda seadet kunagi siseruumides. Vedelgaasi põlemisel tekib süsinikmonooksiid, mis koguneb suletud ruumidesse.
- > See haasiseade tarbib õhku (hapnikku). Veenduge, et seadet kasutatakse hästi ventileeritud kohas.
- > Kui keskkonda lisatakse veel gaasiseadmeid, kasutage täiendavat ventilaatsiooni.
- > Ärge kasutage seda toodet ventileerimata kohtades, nagu kinnised ruumid, telgid, varikatused, mootorsõidukid, matkaautod, haagissuvilad ega laevade, jahtide, paatide ja veoautode kabiinid.
- > **Kasutage ainult välitingimustes.**



HOIATUS! Plahvatusoht

- > Ärge seda seadet muutke. Kasutage ainult ettenähtud viisil.
- > Seda toodet võivad remontida ainult spetsialistid. Valed remonditööd võivad põhjustada tõsise riski.



HOIATUS! Tuleoht

- > Ärge jätke seadet järelevalveta, kui see on kuum või seda kasutatakse.
- > Hoidke läheduses tulekustutit või muid vahendeid, mis sobivad hädaolukorras leegi kustutamiseks.

Ohutus kasutamise ajal

joon. 1 leheküljel 2



OHT! Plahvatusoht

- > Ärge kasutage seda seadet, kui see lekitab, on kahjustatud või ei tööta korralikult.
- > Ärge kasutage seadet, kui selle tihendid on kahjustatud või kulunud.



ETTEVAATUST! Põletusoht

- > Juurdepääsetavad osad võivad olla väga kuumad. Hoidke väikesed lapsed eemal.
- > Kasutage kuumade komponentide käsitlemisel kaitsekindaid.
- > Ärge kandke avaraid rõivaid ega jätke pikki juukseid lahti, kui seda toodet süütate või kasutate.
- > Hoidke käed, nägu ja juuksed põletitest eemal.
- > Põletuste ja muude vigastuste vältimiseks jälgige tähelepanelikult kogu toote ümber toimuvat.
- > Kasutage seadet alati kindlal tasasel pinnal. Veenduge, et kokkupandud toode oleks stabiilne ega kõiguks.
- > Seadme kasutamisel veenduge, et panni tugi/küpsetuspinnad oleks õigesti paigutatud.
- > Ärge liigutage seda seadet töötamise ajal.
- > Hoidke lapsed ja lemmikloomad kindlalt eemal.
- > Alkoholi või retsepti- või muude ravimite kasutamine võib halvendada teie võimet seadet õigesti kokku panna või turvaliselt kasutada.
- > Laske sellel tootel korralikult maha jahtuda, enne kui seda paljaste kätega puudutate.



ETTEVAATUST! Tuleoht

- > Seadet tuleb kasutamise ajal tuleohtlikest materjalidest eemal hoida. Minimaalsed ohutud kaugused on järgmised: 120 cm seadme kohal ning 60 cm taga ja külgedel.
- > Ärge pange seadme peale ega vastu midagi muud peale pottide ja pannide.
- > Kui kasutate küpsetamiseks potti või panni, kasutage ainult soovitatavat potti läbimõelduga 150 mm kuni 300 mm.
- > Ärge pange seadme lähedale kemikaale, tuleohtlike materjale ega aerosoole.
- > Tulekahju korral lülitage gaasivarustus kohe välja.

Gaasi ja vooliku ohutusabinõud

- > Kasutage seda seadet ainult heakskiidetud vooliku ja regulaatoriga.



OHT! Plahvatusoht

- > Kasutage seda seadet ainult heakskiidetud vooliku ja regulaatoriga.
- > Ärge muutke ega kohandage regulaatorit ühelgi viisil.
- > Ärge kasutage seadet, kui voolik on kahjustatud või kulunud. Enne iga kasutuskorda ja enne gaasivarustusega ühendamist kontrollige voolikut kahjustuste suhtes.
- > Gaas tarnitakse seadmesse vooliku ja regulaatori kaudu, mis on ühendatud gaasiballooniga, mis kaalub kuni 9 kg ja vastab kehtivatele kohalikele määrustele, või CADAC Dometic Power Pakiga, mis on seade, mis sisaldab kahte või enamat gaasikasseti. Teist tüüpi gaasiballoonide või gaasikassetide paigaldamise proovimine võib olla ohtlik.
- > Kasutage ainult gaasiballooniga, mis ei ületa kõrgust 500 mm (ilma regulaatorita) ja laius 350 mm.
- > Ühendage gaasivarustus hästi ventileeritud kohas, eelistatavalt õues, eemal süüteallikatest (nt lahtised leegid ja lõkkes) ning teistest inimestest eemal.
- > Hoidke gaasivarustus kuumusest ja leegist eemal. Ärge pange pliidile ega muule kuumale pinnale.
- > Vooliku seadme külge kinnitamisel suunake voolik seadme korpusest eemale. Ärge väänake ega pigistage voolikut.
- > Kasutamise ajal hoidke gaasivarustust püstises asendis, et tagada õige kütuse väljavõtmine. Selle eiramine võib põhjustada vedeliku väljavoolu, mis põhjustab ohtlike töötingimusi.
- > Ärge eemaldage gaasivarustust seadme kasutamise ajal.
- > Gaasivarustus tuleb pärast kasutamist või hoiustamise ajal seadme küljest lahti ühendada.

4 Gaasilekked

Gaasilekked kahjustatud voolikutest või valedest ühendustest võivad tekitada ohtlikke tingimusi ja nendega tuleb viivitamatult tegeleda. Gaasilekke vältimiseks on oluline, et kõik gaasiühendused oleksid õigesti paigaldatud.



OHT! Plahvatusoht

- > Kui tunnete gaasilõhna, lülitage gaas kohe välja nii gaasiballooni ventiilist kui ka seadmel, keerates juhtnupu päripäeva asendisse „VÄLJAS“.
- > Kustutage mis tahes lahtine leek
- > Liigutage seade leegivabasse kohta ja tehke gaasilekke test. See test tuleks läbi viia väljas, hästi ventileeritud kohas, eemal lahtisest leegist või sütteallikatest.
- > Ärge kunagi kasutage gaasilekke kontrollimiseks lahtist leeki, vaid kasutage seebivett.

Kuidas gaasilekke testi läbi viia?

Gaasilekke test tuleb teha iga kord, kui seadmele ja gaasivarustusele paigaldatakse voolik ja regulaator, ning iga kord, kui gaasivarustust vahetatakse.



OHT! Gaasilekke tuvastamata jätmise ja mitte kontrollimine võib põhjustada vigastusi või surma.

- > Gaasilekke testi tegemiseks katke seebiveega gaasivooliku kõik ühenduskohad, st gaasivooliku ja seadme ühenduskoht ning regulaatori ja gaasivarustuse vaheline ühendus.
- > Gaasi voolamise võimaldamiseks avage aeglaselt gaasiballooni ventiil.
- > Kui mõnes ühenduspunktis tekivad mullid, on tegemist gaasilekkega.
- > Lülitage gaas kohe välja ja ühendage gaasivarustus seadme küljest lahti. Veenduge, et kõik tihendid oleksid paigaldatud ja heas seisukorras. Asendage kõik tihendid, millel on kahjustuse märke.
- > Ühendage gaasivarustus taas seadmega ja tehke gaasilekke test uuesti.
- > Kui gaasilekke püsib, tagastage toode abi saamiseks oma volitatud remonditöökotta.

Leegi stabiilsus

Tagage seadme kasutamisel leegi stabiilsus.



HOIATUS! Kontrollimatu leegi sisenemine (leek põleb põleti või düüsi korpuses) võib põhjustada ohtlikke töötingimusi.

- > Leegi sisenemise korral lülitage kohe gaasivarustus välja, sulgedes esmalt gaasiballooni ventiili ja seejärel keerates seadme juhtnupu asendisse „VÄLJAS“. Pärast leegi kustutamist eemaldage regulaator ja kontrollige tihendi seisukorda; vajaduse korral asendage.
- > Ühendage taas gaasivarustus ja süüdake seade uuesti.
- > Kui leek siseneb pidevalt, tagastage toode hindamiseks oma volitatud remonditöökotta.

5 Komponentide loend

joon. 2 leheküljel 3

Komponent	Kirjeldus
①	Domed lid / Pot
②	Barbecue griddle
③	Flat griddle
④	Pan support
⑤	Drip pan
⑥	Burner
⑦	Control knob
⑧	Igniter
⑨	Quick release connection
⑩	Flat lid
⑪	BBQ 2 Plancha 30
⑫	Paella Pan 30

Mudeli komponendid

Tootevaliku mudeli kombinatsioonid on järgmised:

	6545-10	6545-20	6545-25
1	X	X	X
2	X	X	X
3	X		X

	6545-10	6545-20	6545-25
4	X	X	X
5	X	X	X
6	X	X	X
7	X	X	X
8	X	X	X
9			X
10			X
11			
12			

6 Seadme kokkupanek

joon. 3 leheküljel 4



HOIATUS! Üldine ohutus

Jalad on vedrudega varustatud. Jalgade avamine ja sulgemine peab toimuma nõuetekohaselt, et vältida kehavigastusi või seadme kahjustamist.

Jalgade avamiseks

- > Eemaldage seadmest kõik lahtised osad. Pöörake seade tagurpidi ja tõstke iga jalg eraldi. Kui jalg on õigesti paigutatud, kuulete klõpsatust.

Jalgade tagasi klappimiseks

- > Hoidke jalast kindlalt kinni ja suruge selle vabastuskamber alla (M). Lükake jalad sissepoole suletud asendisse. Pakkimisruumi optimeerimiseks tuleb seda teha järjestikku, alustades vasakust eesmisest jalast (1), seejärel klappides eesmise parema jala (2) ja lõpuks tagumise jala (3).

Gaasivarustuse ühendamine

joon. 4 leheküljel 4

	A	B	C
ET	Reguleerimiseseade	Tihend	Juhtventiil

- > Enne seadme gaasivõrku ühendamist veenduge, et regulaatori kummitihend oleks paigaldatud ja heas seisukorras.
- > Enne heakskiidetud vooliku ja regulaatori seadmega ühendamist kontrollige, et seadme juhtnupp oleks asendis VÄLJAS „•“.

- > Puhuge gaasivarustuse avast tolm välja, et vältida pihusti võimalikku ummistumist.
- > Veenduge, et gaasivarustus oleks paigaldatud hästi ventileeritavas kohas, eemal mistahes süüteallikast, nagu lahtised leegid, ja eemal teistest inimestest.
- > Ärge suitsetage gaasivarustuse ühendamise või vahetamise ajal.
- > Veenduge, et gaasiballooni hoitakse kogu aeg püsti. Ühendage regulaator gaasiballooniga ja pingutage ühenduse kinnitamiseks käsitsi.

Vooliku seadmega ühendamine

joon. 5 leheküljel 5

- > Ühendage voolik seadmega. Pingutage ühenduse kinnitamiseks Ärge väänake ega pigistage voolikut. Veenduge, et see oleks suunatud gaasiseadme korpusest eemale, et vältida kuumusest tingitud vooliku riknemist/kahjustusi.
- > Veenduge, et gaas oleks korralikult tihendatud, tehes gaasilekketase, nagu on kirjeldatud peatükis Gaasilekked. Kui te ei saa gaasileket kõrvaldada, ärge seadet kasutage. Kui kahtlete, võtke ühendust lähima spetsialiseerunud müüjaga.
- > Tehke kõik need ohutuskontrollid läbi iga kord, kui ühendate seadme gaasivõrku.

Gaasivarustuse lahtühendamine ja vahetamine

- > Pärast kasutamist keerake seadme juhtnupp asendisse VÄLJAS „•“ ja sulgege gaasivarustus.
- > Kui teil on vaja tühi ballooni asendada, veenduge, et gaasiballooni gaasiventil oleks suletud.
- > Eemaldage regulaator tühjalt ballooni ja kinnitage see täis ballooni külge. Gaasivarustuse ühendamise osas vaadake ülaltoodud juhiseid.
- > Kasutage samu hooldus- ja kontrollitoiminguid nagu uue gaasiballooni paigaldamisel.

Kuidas kontrollida, kas gaasiballoon on tühi?

- > Gaasiballooni tühikaal on tavaliselt märgitud selle kaela või jalarõnga külge. Ballooni kaalumise näitab selle gaasi hetketaset. Kui kaal ühtib märgitud kaaluga, on balloon tühi. Praeguse kaalu ja märgitud kaalu erinevus näitab järelejäänud gaasi kogust.

7 Seadme kasutamine

- > Enne esmakordset kasutamist veenduge, et kõik kaitsepakendid ja plast oleks seadmest eemaldatud.

- > Veenduga igal kasutuskorral, et kõik osad oleksid heas töökorras. Tehke gaasilekke test, nagu on kirjeldatud peatükis Gaasilekked, iga kord, kui gaasivarustus on ühendatud või vahetatud.
- > Pärast pikaagest hoiustamist kontrollige seadet putukate, prahi ja ämblikuvõrkude suhtes, mis võivad gaasivoolu mõjutada.
- > Kasutage seda seadet ainult kindlal tasasel pinnal.
- > Ärge liigutage seadet selle kasutamise ajal. See on ohtlik tegevus ja võib põhjustada lahvatamist.
- > Seadme süütamise ajal eemaldage kõik küpsetusplaadid.
- > Kasutage ainult 150 mm kuni 300 mm läbimõõduga küpsetusnõusid.

Seadme süütamine süüturi abil

joon. 6 leheküljel 5

- > Gaasipõleti süütamiseks vajutage juhtnupp sisse ja keerake see vastupäeva kõrgeimasse asendisse, hoides samal ajal süütenuppu sees.
- > Kui gaas esimesest sädemest ei sütti, keerake juhtnupp enne uuesti süütamise proovimist tagasi asendisse VÄLJAS „•“.
- > Kui gaas ei ole esimese kahe kuni kolme sekundi jooksul süttinud, peaksite juhtventiili sulgema, keerates juhtnupu tagasi asendisse VÄLJAS „•“.
- > Oodake umbes 30 s, et põletisse kogunenud gaas saaks väljuda. Vajaduse korral korrake ülaltoodud protsessi, kuni leek süttib. Leek peaks tavaliselt süttima esimese ühe kuni kahe sekundi jooksul.

Seadme süütamine grilli süütajaga

- > Külma seadme süütamisel võib selle enne soovitud küpsetusplaadi paigaldamist süüdata põleti ülaosast.
- > Kuuma seadme süütamisel võib seadme süüdata, torgates grilli süütaja läbi põleti all oleva õhutusava, kuni see on põletiga ühel joonel. ÄRGE pange grilli süütajat läbi suure augu otse põleti all.
- > Kui grilli süütaja on paigas, süüdake süütaja enne, kui vajutate gaasipõleti süütamiseks juhtnupu sisse ja keerate selle vastupäeva.



MÄRKUS

- Kui seade on süttinud, reguleerige leegi intensiivsust, keerates juhtnupp leegi vähendamiseks päripäeva ja selle suurendamiseks vastupäeva.
- Suure rasvasisaldusega toidu valmistamisel võib liiga kõrge kuumusaste korral tekkida lahvatamine. Kui see peaks juhtuma, vähendage kuumust, kuni lahvatamine lakkab.
- Pärast kasutamist veenduge enne gaasivarustuse eemaldamist, et teie seadme juhtnupp oleks asendis VÄLJAS „•“ ja leek oleks kustunud.

8 GreenGrilli küpsetusplaat

Enamikul CADAC | Dometicu küpsetusplaatidel on GreenGrilli mittenakkuv keraamiline kate, mis on PFOA-vaba ja mittetoksiline, võimaldades küpsetada tervislikumalt.

Küpsetusplaadi ettevalmistamine

Enne esmakordset kasutamist on soovitatav küpsetusplaat ette valmistada, et vältida toidu kinnijäämist.

- > Kandke üle kogu küpsetusplaadi õhuke kiht toiduõli ja kuumutage seda 2–3 minutit keskmisel kuumusel.
- > Enne küpsetusplaadi sooja seebivee pesemist laske sellel jahtuda.
- > Kandke küpsetusplaadile uuesti õhuke kiht õli. Nüüd on see kasutamiseks valmis.

Küpsetusplaadi puhastamine

- > Laske küpsetusplaadi vette kastmist laske sellel alati täielikult jahtuda.
- > Puhastage oma küpsetusplaadi sooja seebivee ja pehme käsnaga. Vältige küürimisnustikute kasutamist.
- > Tugevate plekkide või jääkide eemaldamiseks leotage küpsetusplaati enne pesemist mõni minut sooja vees.

Hooldus

- > Pärast puhastamist soovime määrada enne hoiustamist küpsetusplaadile väike kogus õli, et kaitsta pinda õhu ja niiskuse eest.
- > Enamik küpsetusplaate on varustatud mugava hoiukotiga. Pange õlitatud küpsetusplaat enne selle kotis hoiustamist kilekotti, et hoida kott puhtana ja jääkidest vabana.

Toiduvalmistamisviisiid

- > Grillimine: BBQ-grill sobib ideaalselt kana, liha, kala või köögiviljade rasvavabaks grillimiseks.
- > Pannil praadimine: lame grillplaat sobib suurepäraselt friikartulite, kala, peekoni, munade ja köögiviljade praadimiseks ning pannkookide valmistamiseks.
- > Keetmine: panni toela pandud sobivat potti või panni kasutades on kastmete valmistamine või riisi ja pasta keetmine lihtne. Vältige plastist käepidemete ja kööginõude kasutamist, kuna need võivad toiduvalmistamise ajal kuumeneda ja sulada.

Valikulised tarvikud

- > Professionaalne pitsakivi: ideaalne pitsade, lamedate saiade jms valmistamiseks. Küpsetamiseks mõeldud ahju tekitamiseks on vaja kuplit.
- > Paella pann: kvaliteetsest pressitud alumiiniumist valmistatud paella pann sobib suurepäraselt paellade, risotode, pastarogade, traditsiooniliste hommikusöökide jm valmistamiseks.
- > Kohvikannu alus: pakub teie kohvikannule või veekannule täiuslikku keetmisalust.



MÄRKUS

- GreenGrilli kattekiht juhhib soojust paremini kui tavaline (PTFE) mittenakkuv kattekiht. Seetõttu soovime kasutada ainult 75% tavapärasest võimsuse seadistusest.
- Küpsetusplaadi kahjustamise vältimiseks ärge kunagi jätke seda kuumusallikale ilma õlikihita.
- Soovitame nende kõrge põlemistemperatuuri tõttu praadida päevalille- või rapsiõliga. Oliiviõli kasutamine ei ole soovitatav selle madalama põlemistemperatuuri tõttu, mis võib põhjustada koostisosade kleepumist või põlemist. Näpunäide! Kinnijäämise vältimiseks laske lihal või kalal saavutada toatemperatuur.
- CADAC | Dometicu tarvikud Soft Soak ja Soft Soak Brush (müüakse eraldi) on ideaalsed puhastusvahendid GreenGrilli küpsetusplaatide jaoks, mis aitavad leotamisel ja eemaldavad tõrksad toidujäägid.

9 Seadme puhastamine

- > Seadme kasutusea pikendamiseks puhastage seda pärast iga kasutamist hoolikalt.
- > Enne seadme puhastamist laske sellel jahtuda.

- > Seadme korpuse puhastamiseks lihtsalt pühkige seda niiske lapiga ja vajaduse korral väikese koguse pesuvahendiga.
- > Ärge kastke seadet vette, kuna see võib kahjustada põleti toru ja põhjustada seadme talitlushäireid.
- > Hoidke vesi põletitest ja märgutulede piirkonnast eemal. Kuivatage seade enne kasutamist täielikult.
- > Ärge kasutage abrasiivseid puhastusvahendeid, kuna need võivad pindu kahjustada.
- > Ärge kasutage seadme puhastamiseks kõrgsurveaurutit ega veejuga.



MÄRKUS

Tugevate plekkide korral võib kasutada CADAC ahju puhastusvahendit.

10 Hoiustamine

- > Enne hoiustamist laske seadmel jahtuda ja puhastage see korralikult.
- > Enne seadme lahtiühendamist veenduge, et gaasivarustus oleks välja lülitatud.
- > Ärge kunagi hoiustage seadet ühendatud gaasivarustusega, see on ohtlik.
- > Hoidke seadet ja gaasivarustust hästi ventileeritud kohas, põlevmaterjalidest eemal. Eelistatavalt hoidke balloone õues, mitte kunagi keldris ega garaazhis.

11 Hooldus ja rikete kõrvaldamine

- > Regulaarne puhastamine ja hooldus pikendab teie seadme kasutusiga ning vähendavad probleemide tõenäosust.
- > Tõhusa töö tagamiseks soovime teie seadet iga 12 kuu tagant hooldustehnikul hooldada.
- > Seda seadet tohib hooldada ainult volitatud isik.
- > Kontrollige regulaarselt kõiki ühendusi lekete suhtes ja iga kord, kui gaasiballoon uuesti täidetakse või kinnitatakse.
- > Puhastage põleti avad mahahaajamise korral.

Rikete kõrvaldamine

- > Tõhusa töö tagamiseks soovime pihusteid puhastada või asendada iga kuue kuu tagant.

- > Kui seade töötab pärast hoiustamist ebatavaliselt ja kontrollid probleemi ei lahenda, võib pihusti olla ummistunud. Ummistunud pihustist annab märku nõrgem kollakas leek või leegi puudumine. Sellistel juhtudel eemaldage pihusti ja puhastage see põhjalikult, et eemaldada võõrkehad.
- > Eemaldage pihusti tavaliste tööriistade abil ja puhuge mustus välja. Teise võimalusena ostke kohalikust poest uued pihustid. Ärge püüdke pihustit mehaaniliselt puhastada.

- kaebuse põhjus või vea kirjeldus.

Pange tähele, et kui parandate ise või lasete mittekutselisel parandajal seda teha, võib see ohutust mõjutada ja garantii kehtetuks muuta.

Ummistunud pihusti asendamine

Teie seade on varustatud kindlas suuruses pihustiga, et reguleerida õiget gaasikogust. Kui pihusti ava on ummistunud, võib see põhjustada nõrka leeki või leegi puudumist. Vältige pihusti puhastamist nõela või sarnase seadmega, kuna see võib pihustit kahjustada, kujutades endas ohtu seadmele. Pihusti vahetamiseks tehke järgmist.

joon. 7 leheküljel 6

1. Eemaldage rasvapann.
2. Eemaldage soojuskaitseplaadi kolm kruvi ja eemaldage soojuskaitse.
3. Eemaldage põleti koostult kaks kruvi ja eemaldage see, jälgides, et mitte kahjustada ühendatud süütekaablit.
4. Kasutage pihusti eemaldamiseks sobivat mutrivõtit; vältige tangide kasutamist, kuna see võib pihustit kahjustada. Keerake uus pihusti ventiili sisse, olles ettevaatlik, et kahjustuste vältimiseks seda mitte liigselt pingutada.

12 Varuosad

joon. 8 leheküljel 7



MÄRKUS Kasutage alati originaalvaruosi. Abi saamiseks võtke ühendust oma kohaliku tarnijaga.

13 Garantii

Kehtib seadusega ettenähtud garantii. Kui toode on defektne, võtke ühendust edasimüüjaga või tootja kohaliku filiaaliga. (vt www.cadacinternational.com/support)

Remondi- ja garantiitööde tegemiseks lisage alljärgnevad dokumendid, kui toote meile saadate:

- ostukuupäevaga arve koopia;

14 Tehnilised andmed

Tabel 21: Tehnilised andmed

Kasutamise riik	BE, CH, CY, CZ, ES, FR, GB, GR, IE, IT, LT, LU, LV, PT, SK, SI		PL	BE, CY, DK, EE, FR, FI, HU, IT, LT, NL, NO, SE, SI, SK, RO, HR, TR, BG, IS, LU, MT, ZA	AT, CH, DE, SK
Seadmekategooria	$I_{3+(28-30/37)}$		$I_{3B/P(37)}$	$I_{3B/P(30)}$	$I_{3B/P(50)}$
Lubatud gaasid	Butaan	Propaan	Butaan, propaan või nende segu		
Gaasi rõhk	28–30 mbar	37 mbar	37 mbar	28–30 mbar	50 mbar
Põleti number	0.68		0.65	0.68	0.61
Nimikasutus	145 g/h				
Bruto nimisoojuskoormus	2 kW		2 kW	2 kW	2 kW

Riigi nimetused ja lühendid

AT = Austria	BE = Belgia	BG = Bulgaaria	CH = Šveits	CY = Küpros
CZ = Tšehhi Vabariik	DE = Saksamaa	DK = Taani	EE = Eesti	ES = Hispaania
FI = Soome	FR = Prantsusmaa	GB = Ühendkuningriik	GR = Kreeka	HR = Horvaatia
HU = Ungari	IE = Iirimaa	IS = Island	IT = Itaalia	LT = Leedu
LU = Luksemburg	LV = Läti	MT = Malta	NL = Holland	NO = Norra
PL = Poola	PT = Portugal	RO = Rumeenia	SE = Rootsi	SI = Sloveenia
SK = Slovakkia	TR = Türgi			

Ελληνικά

1	Σημαντικές σημειώσεις.....	185
2	Επεξήγηση των συμβόλων.....	185
3	Υποδείξεις ασφαλείας.....	185
4	Διαρροές υγραερίου.....	187
5	Κατάλογος εξαρτημάτων.....	188
6	Συναρμολόγηση συσκευής.....	189
7	Λειτουργία της συσκευής.....	190
8	Επιφάνειες μαγειρέματος GreenGrill.....	191
9	Καθαρισμός της συσκευής.....	192
10	Αποθήκευση.....	192
11	Συντήρηση και αντιμετώπιση βλαβών.....	192
12	Ανταλλακτικά.....	193
13	Εγγύηση.....	193
14	Τεχνικά χαρακτηριστικά.....	194

1 Σημαντικές σημειώσεις

Παρακαλούμε να διαβάσετε προσεκτικά αυτές τις οδηγίες και να ακολουθήσετε όλες τις οδηγίες, τους κανονισμούς και τις προειδοποιήσεις που περιλαμβάνονται στο εγχειρίδιο αυτού του προϊόντος, έτσι ώστε να διασφαλίζεται πάντοτε η σωστή εγκατάσταση, χρήση και συντήρηση του προϊόντος. Αυτές οι οδηγίες ΠΡΕΠΕΙ πάντοτε να συνοδεύουν το προϊόν.

Με τη χρήση του προϊόντος επιβεβαιώνετε δια του παρόντος ότι έχετε διαβάσει προσεκτικά όλες τις οδηγίες, τους κανονισμούς και τις προειδοποιήσεις καθώς και ότι έχετε κατανοήσει και συμφωνείτε να τηρήσετε τους όρους και τις προϋποθέσεις που ορίζονται στο παρόν έγγραφο. Συμφωνείτε να χρησιμοποιείτε αυτό το προϊόν μόνο για τον προβλεπόμενο σκοπό και την προβλεπόμενη χρήση, πάντοτε σύμφωνα με τις οδηγίες, τους κανονισμούς και τις προειδοποιήσεις που ορίζονται στο παρόν εγχειρίδιο προϊόντος καθώς και σύμφωνα με όλους τους ισχύοντες νόμους και κανονισμούς. Σε περίπτωση μη ανάγνωσης και τήρησης των οδηγιών και των προειδοποιήσεων που ορίζονται στο παρόν έγγραφο, ενδέχεται να προκληθούν τραυματισμοί σε εσάς τον ίδιο και σε τρίτους, ζημιά στο προϊόν σας ή υλικές ζημιές σε άλλες ιδιοκτησίες στο άμεσο περιβάλλον. Αυτό το εγχειρίδιο προϊόντος, συμπεριλαμβανομένων των οδηγιών, των κανονισμών, των προειδοποιήσεων και των σχετικών εγγράφων, ενδέχεται να υποβληθεί σε τροποποιήσεις και ενημερώσεις. Για ενημερωμένες πληροφορίες για το προϊόν, επισκεφθείτε την ηλεκτρονική διεύθυνση documents.dometic.com.

2 Επεξήγηση των συμβόλων

Μια λέξη σήμανσης επιτρέπει την αναγνώριση μηνυμάτων για την ασφάλεια και μηνυμάτων για υλικές ζημιές και υποδεικνύει τον βαθμό ή το επίπεδο σοβαρότητας του κινδύνου.



ΚΙΝΔΥΝΟΣ!

Καταδεικνύει μια επικίνδυνη κατάσταση, η οποία εάν δεν αποτραπεί, θα προκληθεί θανατηφόρο ατύχημα ή σοβαρός τραυματισμός.



ΠΡΟΕΙΔΟΠΟΙΗΣΗ!

Καταδεικνύει μια επικίνδυνη κατάσταση, η οποία εάν δεν αποτραπεί, μπορεί να προκληθεί θανατηφόρο ατύχημα ή σοβαρός τραυματισμός.



ΠΡΟΦΥΛΑΞΗ!

Καταδεικνύει μια επικίνδυνη κατάσταση, η οποία εάν δεν αποτραπεί, μπορεί να προκληθεί μικρή ή μέτριας σοβαρότητας τραυματισμός.



ΠΡΟΣΟΧΗ!

Καταδεικνύει μια κατάσταση, η οποία εάν δεν αποτραπεί, μπορεί να προκληθούν υλικές ζημιές.



ΥΠΟΔΕΙΞΗ Συμπληρωματικά στοιχεία για τον χειρισμό του προϊόντος.

3 Υποδείξεις ασφαλείας

- > Διαβάστε προσεκτικά αυτές τις οδηγίες για να εξοικειωθείτε με τη χρήση της συσκευής. Όλες οι εγγυήσεις παύουν να ισχύουν εάν δεν τηρήσετε αυτές τις οδηγίες. Φυλάξτε αυτές τις οδηγίες για να ανατρέξετε σε αυτές στο μέλλον.

Βασική ασφάλεια

- > Η μη τήρηση αυτών των προειδοποιήσεων μπορεί να προκαλέσει θάνατο ή σοβαρό τραυματισμό.



ΠΡΟΕΙΔΟΠΟΙΗΣΗ! Κίνδυνος λόγω μονοξειδίου του άνθρακα

- > Απαγορεύεται η χρήση αυτού του προϊόντος σε εσωτερικό χώρο. Κατά τη διαδικασία καύσης του υγραερίου παράγεται μονοξείδιο του άνθρακα, το οποίο συσσωρεύεται μέσα στους κλειστούς χώρους.
- > Αυτή η συσκευή υγραερίου καταναλώνει αέρα (οξυγόνο). Εξασφαλίστε ότι η συσκευή χρησιμοποιείται σε καλά αεριζόμενο χώρο.
- > Φροντίστε για επιπλέον αερισμό σε περίπτωση που χρησιμοποιήσετε κι άλλες συσκευές υγραερίου στο ίδιο περιβάλλον.
- > Μη λειτουργείτε αυτό το προϊόν σε μη αεριζόμενους χώρους, όπως κλειστοί εσωτερικοί χώροι, σκηνές, σκηνές

με τέντες, μηχανοκίνητα οχήματα, αυτοκινούμενα τροχόσπιτα, συρόμενα τροχόσπιτα, πλοία, θαλαμηγούς, σκάφη και καμπίνες φορτηγών.

> **Χρήση μόνο σε εξωτερικό χώρο.**



ΠΡΟΕΙΔΟΠΟΙΗΣΗ! Κίνδυνος έκρηξης

- > Μην τροποποιείτε τη συσκευή. Χρησιμοποιήστε τη μόνο για την ενδεδειγμένη χρήση της.
- > Η επισκευή αυτού του προϊόντος επιτρέπεται να πραγματοποιείται μόνο από εξειδικευμένο τεχνικό προσωπικό. Σε περίπτωση μη ενδεδειγμένων επισκευών, ενδέχεται να προκληθούν σοβαροί κίνδυνοι.



ΠΡΟΕΙΔΟΠΟΙΗΣΗ! Κίνδυνος πυρκαγιάς

- > Μην αφήνετε τη συσκευή χωρίς επίτηρηση, όταν είναι θερμή ή όταν λειτουργεί.
- > Φροντίστε να υπάρχει εύκαιρος πυροσβεστήρας ή άλλο μέσο κατάλληλο για την κατάσβεση της φλόγας σε περίπτωση έκτακτης ανάγκης.

Ασφάλεια κατά τη χρήση

 **σχ. 1** στη σελίδα 2



ΚΙΝΔΥΝΟΣ! Κίνδυνος έκρηξης

- > Μη χρησιμοποιείτε αυτή τη συσκευή, εάν παρουσιάζει διαρροή, έχει υποστεί ζημιά ή δεν λειτουργεί σωστά.
- > Μη χρησιμοποιείτε τη συσκευή, εάν οι φλάντζες παρουσιάζουν ζημιά ή φθορά.



ΠΡΟΦΥΛΑΞΗ! Κίνδυνος εγκαύματος

- > Ορισμένα προσβάσιμα μέρη ενδέχεται να έχουν πολύ υψηλή θερμοκρασία. Διατηρήστε τη συσκευή μακριά από παιδιά.
- > Χρησιμοποιήστε προστατευτικά γάντια, όταν χειρίζεστε θερμά εξαρτήματα.
- > Μη φοράτε φαρδιά ρούχα και μην αφήνετε τα μακριά μαλλιά λυτά, όταν ανάβετε ή χρησιμοποιείτε αυτή τη συσκευή.

- > Διατηρήστε τα χέρια, το πρόσωπο και τα μαλλιά σας μακριά από τους καυστήρες.
- > Παρακολουθήστε προσεκτικά όλες τις δραστηριότητες γύρω από αυτό το προϊόν, για να αποφύγετε την πρόκληση εγκαυμάτων ή άλλων τραυματισμών.
- > Λειτουργείτε αυτή τη συσκευή σε σταθερή και επίπεδη επιφάνεια. Βεβαιωθείτε ότι το συναρμολογημένο προϊόν είναι σταθερό και δεν ταλαντεύεται.
- > Βεβαιωθείτε ότι οι βάσεις για σκεύη / επιφάνειες μαγειρέματος είναι τοποθετημένες σωστά κατά τη χρήση της συσκευής.
- > Μη μετακινείτε τη συσκευή κατά τη λειτουργία της.
- > Κρατήστε τα παιδιά και τα κατοικίδια σε ασφαλή απόσταση από τη συσκευή.
- > Η χρήση αλκοόλ ή συνταγογραφούμενων ή μη συνταγογραφούμενων φαρμάκων ενδέχεται να επηρεάσει την ικανότητά σας για σωστή συναρμολόγηση και ασφαλή χρήση αυτής της συσκευής.
- > Πρέπει να αφήνετε το προϊόν να κρυώσει καλά προτού το ακουμπήσετε με γυμνά χέρια.



ΠΡΟΦΥΛΑΞΗ! Κίνδυνος πυρκαγιάς

- > Αυτή η συσκευή πρέπει να διατηρείται μακριά από εύφλεκτα υλικά κατά τη χρήση της. Ελάχιστες αποστάσεις ασφαλείας: 120 cm πάνω από τη συσκευή και 60 cm από το πίσω μέρος και τα πλαϊνά.
- > Μην τοποθετείτε ή ακουμπάτε επάνω σε αυτή τη συσκευή αντικείμενα που δεν αποτελούν μαγειρικά σκεύη.
- > Όταν χρησιμοποιείτε κατασαρόλα ή τηγάνι για να μαγειρέψετε, χρησιμοποιήστε μόνο το συνιστώμενο μέγεθος σκεύους που με διάμετρο 150 mm έως 300 mm.
- > Μην τοποθετείτε χημικά, εύφλεκτα υλικά ή αερολύματα σπρέι κοντά σε αυτή τη συσκευή.
- > Σε περίπτωση φωτιάς, κλείστε αμέσως την παροχή υγραερίου.

Προληπτικά μέτρα ασφαλείας για το υγραέριο και τους εύκαμπτους σωλήνες

- > Χρησιμοποιήστε αυτή τη συσκευή αποκλειστικά και μόνο σε συνδυασμό με εγκεκριμένους εύκαμπτους σωλήνες και ρυθμιστές.



ΚΙΝΔΥΝΟΣ! Κίνδυνος έκρηξης

- > Χρησιμοποιήστε αυτή τη συσκευή αποκλειστικά και μόνο σε συνδυασμό με εγκεκριμένους εύκαμπτους σωλήνες και ρυθμιστές.
- > Μην τροποποιείτε τον ρυθμιστή με οποιονδήποτε τρόπο.
- > Μην χρησιμοποιείτε τη συσκευή εάν ο εύκαμπτος σωλήνας παρουσιάζει ζημιές ή φθορές. Ελέγχετε τον εύκαμπτο σωλήνα για ζημιές πριν από κάθε χρήση και προτού τον συνδέσετε στην παροχή αερίου.
- > Το υγραέριο παρέχεται στη συσκευή από έναν εύκαμπτο σωλήνα και έναν ρυθμιστή, οι οποίοι συνδέονται με φιάλη υγραερίου που το βάρος της δεν υπερβαίνει τα 9 kg και συμμορφώνεται με τους ισχύοντες εγχώριους κανονισμούς ή με το CADAC Dometic Power Pak, μια μονάδα που χωρά δύο ή περισσότερα φιαλίδια υγραερίου. Θα ήταν επικίνδυνο να δοκιμάσετε να τοποθετήσετε άλλους τύπους φιαλών ή φιαλιδίων υγραερίου.
- > Η συσκευή πρέπει να χρησιμοποιείται αποκλειστικά και μόνο σε συνδυασμό με φιάλη υγραερίου που δεν υπερβαίνει τα 500 mm σε ύψος (χωρίς τον ρυθμιστή) και 350 mm σε πλάτος.
- > Συνδέστε την παροχή υγραερίου σε καλά αεριζόμενο, κατά προτίμηση, εξωτερικό χώρο μακριά από πηγές ανάφλεξης, όπως ακάλυπτες φλόγες και φωτιές, και μακριά από άλλα άτομα.
- > Φροντίστε ώστε η παροχή υγραερίου να μην βρίσκεται κοντά σε πηγές θερμότητας και φλόγες. Μην τοποθετείτε τη συσκευή επάνω σε ηλεκτρικές κουζίνες/ξύλοσομπες ή σε οποιαδήποτε άλλη καυτή επιφάνεια.
- > Όταν συνδέετε τον εύκαμπτο σωλήνα στη συσκευή, κατευθύνετε τον εύκαμπτο σωλήνα μακριά από το

σώμα της συσκευής. Μην στρίβετε και μην τσακίζετε τον εύκαμπτο σωλήνα.

- > Κατά τη διάρκεια της χρήσης, διατηρείτε την παροχή αερίου σε όρθια θέση για να εξασφαλίσετε τη σωστή απορροή του υγραερίου. Σε αντίθετη περίπτωση, ενδέχεται να εκρυσταίνονται υγρά κάτι που προκαλεί επικίνδυνες συνθήκες λειτουργίας.
- > Μην αφαιρείτε την παροχή υγραερίου όσο η συσκευή βρίσκεται σε λειτουργία.
- > Η παροχή υγραερίου πρέπει να αποσυνδέεται από αυτή τη συσκευή μετά τη χρήση ή όταν αυτή αποθηκεύεται.

4 Διαρροές υγραερίου

Οι διαρροές υγραερίου που οφείλονται σε φθαρμένους εύκαμπτους σωλήνες ή ακατάλληλα τοποθετημένες συνδέσεις μπορούν να προκαλέσουν επικίνδυνες συνθήκες και πρέπει να αντιμετωπίζονται αμέσως. Η σωστή τοποθέτηση όλων των συνδέσεων είναι κρίσιμης σημασίας για την αποφυγή διαρροών υγραερίου.



ΚΙΝΔΥΝΟΣ! Κίνδυνος έκρηξης

- > Εάν σας μυρίσει υγραέριο, κλείστε αμέσως την παροχή υγραερίου από τη βαλβίδα της φιάλης υγραερίου καθώς και στη συσκευή, γυρνώντας το κουμπί ρύθμισης δεξιόστροφα στη θέση «OFF».
- > Σβήστε οποιαδήποτε ακάλυπτη φλόγα
- > Μετακινήστε τη συσκευή σε σημείο που δεν υπάρχουν φλόγες και πραγματοποιήστε έλεγχο για διαρροές υγραερίου. Διενεργήστε αυτόν τον έλεγχο σε εξωτερικό, καλά αεριζόμενο χώρο, μακριά από ακάλυπτες φλόγες ή πηγές ανάφλεξης.
- > Μην χρησιμοποιείτε ακάλυπτες φλόγες για να ελέγξετε μήπως υπάρχουν διαρροές υγραερίου, χρησιμοποιήστε σαπουνόνερο.

Πώς να διενεργήσετε τον έλεγχο διαρροών υγραερίου

Ο έλεγχος για διαρροές υγραερίου πρέπει να πραγματοποιείται κάθε φορά που τοποθετείτε

εύκαμπτους σωλήνες και ρυθμιστές στη συσκευή και στην παροχή αερίου, καθώς και κάθε φορά που αλλάζετε παροχή αερίου.



ΚΙΝΔΥΝΟΣ! Εάν δεν εντοπίσετε και δεν αντιμετωπίσετε τη διαρροή υγραερίου, ενδέχεται να προκληθεί τραυματισμός ή θάνατος.

- > Για να διενεργήσετε έλεγχο διαρροής υγραερίου, απλώστε σαπουνόνερο σε όλα τα σημεία σύνδεσης που βρίσκονται κατά μήκος του εύκαμπτου σωλήνα υγραερίου, δηλαδή, στη σύνδεση μεταξύ σωλήνα υγραερίου και συσκευής και στη σύνδεση μεταξύ ρυθμιστή και παροχής υγραερίου.
- > Ανοίξτε αργά τη βαλβίδα της φιάλης υγραερίου για να ξεκινήσει να ρέει το υγραέριο.
- > Εάν σχηματιστούν φυσαλίδες σε οποιοδήποτε σημείο σύνδεσης, υπάρχει διαρροή υγραερίου.
- > Κλείστε αμέσως το αέριο και αποσυνδέστε την παροχή αερίου από τη συσκευή. Ελέγξτε ότι όλες οι φλάντζες είναι στη θέση τους και σε καλή κατάσταση. Αντικαταστήστε τις φλάντζες που παρουσιάζουν σημάδια φθοράς.
- > Επανασυνδέστε την παροχή αερίου στη συσκευή και επαναλάβετε τον έλεγχο διαρροής υγραερίου.
- > Εάν η διαρροή υγραερίου παραμένει, επιστρέψτε το προϊόν στον εξουσιοδοτημένο αντιπρόσωπο σέρβις για να σας βοηθήσει κατάλληλα.

Σταθερότητα φλόγας

Διασφαλίστε ότι η φλόγα παραμένει σταθερή καθ' όλη τη διάρκεια χρήσης της συσκευής.



ΠΡΟΕΙΔΟΠΟΙΗΣΗ! Η ανεξέλεγκτη αναστροφή της φλόγας προς το εσωτερικό (φλόγα που καίει προς το εσωτερικό του καυστήρα ή του περιβλήματος του μπεκ) ενδέχεται να προκαλέσει επικίνδυνες συνθήκες λειτουργίας.

- > Σε περίπτωση αναστροφής της φλόγας προς το εσωτερικό, κλείστε

αμέσως την παροχή υγραερίου κλείνοντας πρώτα τη βαλβίδα της φιάλης υγραερίου και, στη συνέχεια, γυρίστε το κουμπί ρύθμισης της συσκευής στη θέση «OFF». Αφού σβήσει η φλόγα, αφαιρέστε τον ρυθμιστή και ελέγξτε την κατάσταση της φλάντζας. Εάν χρειάζεται, αντικαταστήστε την.

- > Επανασυνδέστε την παροχή υγραερίου και ανάψτε ξανά τη συσκευή.
- > Εάν η φλόγα επιμένει να αναστρέφεται προς το εσωτερικό, επιστρέψτε το προϊόν στον εξουσιοδοτημένο αντιπρόσωπο σέρβις για έλεγχο.

5 Κατάλογος εξαρτημάτων

σχ. 2 στη σελίδα 3

Εξάρτημα	Περιγραφή
①	Domed lid / Pot
②	Barbecue griddle
③	Flat griddle
④	Pan support
⑤	Drip pan
⑥	Burner
⑦	Control knob
⑧	Igniter
⑨	Quick release connection
⑩	Flat lid
⑪	BBQ 2 Plancha 30
⑫	Paella Pan 30

Εξαρτήματα μοντέλου

Οι συνδυασμοί μοντέλων για τη γκάμα έχουν ως εξής:

	6545-10	6545-20	6545-25
1	X	X	X
2	X	X	X
3	X		X
4	X	X	X
5	X	X	X

	6545-10	6545-20	6545-25
6	X	X	X
7	X	X	X
8	X	X	X
9			X
10			X
11			
12			

6 Συναρμολόγηση συσκευής

 σχ. 3 στη σελίδα 4



ΠΡΟΕΙΔΟΠΟΙΗΣΗ! Βασική ασφάλεια
Τα πόδια διαθέτουν ελατήρια. Ανοίγεται και κλείνεται τα πόδια ελεγχόμενα για να αποφύγετε τραυματισμούς ή ζημιές της συσκευής σας.

Για να εκπτώξετε τα πόδια

- > Αφαιρέστε όλα τα χαλαρά εξαρτήματα από τη συσκευή. Αναποδογυρίστε τη μονάδα και ανασηκώστε κάθε πόδι ξεχωριστά. Θα ακούσετε ένα «κλικ» μόλις το πόδι κουμπώσει σωστά.

Για να συμπτύξετε τα πόδια

- > Κρατήστε καλά το πόδι και πιέστε το κλιπ ανοίγματος του ποδιού προς τα κάτω (M). Σπρώξτε τα πόδια προς τα μέσα στη συμπτυγμένη τους θέση. Κάντε το διαδοχικά ξεκινώντας από το μπροστινό αριστερό πόδι (1), συνεχίζοντας με το μπροστινό δεξί πόδι (2) και τελειώνοντας με το πίσω πόδι (3) για να εξοικονομήσετε χώρο για το πακετάρισμα της συσκευής.

Σύνδεση παροχής υγραερίου

 σχ. 4 στη σελίδα 4

	A	B	C
EL	Ρυθμιστής	Φλάντζα	Βαλβίδα ρύθμισης

- > Προτού συνδέσετε τη συσκευή στην παροχή υγραερίου, βεβαιωθείτε ότι η λαστιχένια φλάντζα του ρυθμιστή βρίσκεται στη θέση της και είναι σε καλή κατάσταση.

- > Προτού συνδέσετε εγκατεταμένο εύκαμπτο σωλήνα και ρυθμιστή στη συσκευή, ελέγξτε ότι το κουμπί ρύθμισης της συσκευής βρίσκεται στη θέση OFF «•».
- > Φυσηξτε με αέρα για να απομακρύνετε τις σκόνης από το άνοιγμα παροχής υγραερίου και να αποφύγετε πιθανό βούλωμα του μπεκ.
- > Διασφαλίστε ότι η παροχή υγραερίου είναι τοποθετημένη σε καλά αεριζόμενο χώρο μακριά από οποιαδήποτε πηγή ανάφλεξης, όπως ακάλυπτες φλόγες και μακριά από άλλα άτομα.
- > Μην καπνίζετε ενώ συνδέετε ή αλλάζετε την παροχή υγραερίου.
- > Φροντίστε ώστε η φιάλη υγραερίου να παραμένει πάντα σε όρθια θέση. Συνδέστε τον ρυθμιστή στη φιάλη υγραερίου και σφίξτε με το χέρι για να ασφαλίσετε τη σύνδεση.

Σύνδεση εύκαμπτου σωλήνα στη συσκευή

 σχ. 5 στη σελίδα 5

- > Συνδέστε τον εύκαμπτο σωλήνα στη συσκευή. Σφίξτε τον για να ασφαλίσετε τη σύνδεση. Μην στρίβετε και μην τσακίζετε τον εύκαμπτο σωλήνα. Φροντίστε να τον κατευθύνετε μακριά από το σώμα της συσκευής υγραερίου, για να αποφύγετε τη φθορά/βλάβη του εύκαμπτου σωλήνα λόγω θερμότητας.
- > Βεβαιωθείτε ότι υπάρχει πλήρης στεγανοποίηση υγραερίου, διενεργώντας τον έλεγχο διαρροών υγραερίου, όπως περιγράφεται στο κεφάλαιο Διαρροές υγραερίου. Εάν δεν μπορείτε να αντιμετωπίσετε τη διαρροή υγραερίου, μην χρησιμοποιείτε τη συσκευή. Εάν έχετε αμφιβολίες, επικοινωνήστε με το πλησιέστερο αντιπρόσωπο.
- > Διενεργείτε όλους αυτούς τους ελέγχους ασφαλείας κάθε φορά που συνδέετε τη συσκευή στην παροχή υγραερίου.

Αποσύνδεση και αλλαγή της παροχής υγραερίου

- > Μετά τη χρήση, γυρίστε το κουμπί ρύθμισης της συσκευής στη θέση OFF «•» και κλείστε την παροχή υγραερίου.
- > Όταν χρειαστεί να αντικαταστήσετε την άδεια φιάλη, βεβαιωθείτε ότι η βαλβίδα υγραερίου της φιάλης είναι κλειστή.
- > Αφαιρέστε τον ρυθμιστή από την άδεια φιάλη και συνδέστε τον σε γεμάτη φιάλη. Ανατρέξτε στις παραπάνω οδηγίες που περιγράφουν τον τρόπο σύνδεσης της παροχής υγραερίου.

- > Εκτελέστε τις ίδιες διαδικασίες φροντίδας και ελέγχου που είναι απαραίτητες και κατά την τοποθέτηση νέας φιάλης υγραερίου.

Πώς να ελέγξετε αν η φιάλη υγραερίου είναι άδεια

- > Το κενό βάρος μιας φιάλης αερίου αναγράφεται συνήθως στο λαιμό ή στον δακτύλιο της βάσης της. Ζυγίζοντας τη φιάλη διαπιστώνετε την εκάστοτε στάθμη υγραερίου. Εάν το βάρος είναι ίδιο με το αναγραφόμενο, η φιάλη είναι άδεια. Η διαφορά μεταξύ του τρέχοντος και του αναγραφόμενου βάρους δείχνει την υπόλοιπη ποσότητα υγραερίου.

7 Λειτουργία της συσκευής

- > Πριν από την πρώτη χρήση, βεβαιωθείτε ότι έχετε αφαιρέσει από τη συσκευή όλες τις προστατευτικές συσκευασίες και τα πλαστικά.
- > Σε κάθε χρήση να ελέγχετε ότι όλα τα μέρη βρίσκονται σε καλή κατάσταση λειτουργίας. Διενεργείτε έλεγχο διαρροών υγραερίου όπως περιγράφεται στο κεφάλαιο Διαρροές υγραερίου κάθε φορά που συνδέετε ή αλλάζετε την παροχή υγραερίου.
- > Μετά από μια παρατεταμένη περίοδο αποθήκευσης, ελέγξτε τη συσκευή για τυχόν έντομα, υπολείμματα και αράχνες που μπορεί να επηρεάσουν τη ροή του αερίου.
- > Χρησιμοποιείτε αυτή τη συσκευή μόνο σε σταθερή και επίπεδη επιφάνεια.
- > Μη μετακινείτε τη συσκευή κατά τη λειτουργία της. Πρόκειται για επισφαλή πρακτική και μπορεί να προκαλέσει ανάφλεξη.
- > Απομακρύνετε τυχόν επιφάνειες μαγειρέματος όταν ανάβετε τη συσκευή.
- > Χρησιμοποιείτε αποκλειστικά μαγειρικά σκεύη με διάμετρο 150 mm έως 300 mm.

Άναμμα συσκευής με αναφλεκτήρα

σ.χ. 6 στη σελίδα 5

- > Για να ανάψετε τον καυστήρα αερίου, πιέστε και περιστρέψτε το κουμπί ρύθμισης αριστερόστροφα στην υψηλότερη θέση του, ενώ παράλληλα πιέζετε το κουμπί ανάφλεξης.
- > Εάν το αέριο δεν αναφλεγεί με την πρώτη σπίθα, επαναφέρετε το κουμπί ρύθμισης πίσω στη θέση OFF «•» πριν να δοκιμάσετε ξανά να ανάψετε τη συσκευή.

- > Εάν το αέριο δεν αναφλεγεί στα πρώτα δύο έως τρία δευτερόλεπτα, κλείστε τη βαλβίδα ρύθμισης επαναφέροντας το κουμπί ρύθμισης στη θέση OFF «•».
- > Περιμένετε περίπου 30 s για να διαφύγουν αέρια που ενδεχομένως συσσωρεύτηκαν στον καυστήρα. Επαναλάβετε την παραπάνω διαδικασία όσες φορές χρειάζεται για να ανάψει η φλόγα. Η φλόγα θα πρέπει κανονικά να ανάψει μέσα στα πρώτα ένα με δύο δευτερόλεπτα.

Άναμμα συσκευής με αναπτήρα μπάρμπεκιου

- > Αν ανάβετε τη συσκευή ενώ είναι κρύα, μπορείτε να την ανάψετε από το επάνω μέρος του καυστήρα προτού τοποθετήσετε την επιφάνεια μαγειρέματος που θέλετε.
- > Αν ανάβετε τη συσκευή ενώ είναι ζεστή, μπορείτε να την ανάψετε βάζοντας έναν αναπτήρα μπάρμπεκιου σε μία από τις οπές αερισμού κάτω από τον καυστήρα μέχρι να βρεθεί στην ίδια ευθεία με τον καυστήρα. ΜΗΝ τοποθετείτε τον αναπτήρα μπάρμπεκιου μέσα από τη μεγάλη οπή ακριβώς κάτω από τον καυστήρα.
- > Με τον αναπτήρα μπάρμπεκιου τοποθετημένο στην κατάλληλη θέση, ανάψτε πρώτα τον αναπτήρα και μετά πιέστε και γυρίστε το κουμπί ρύθμισης αριστερόστροφα για να ανάψετε τον καυστήρα αερίου.



ΥΠΟΔΕΙΞΗ

- Αφού ανάψει η συσκευή, ρυθμίστε την ένταση της φλόγας γυρίζοντας το κουμπί ρύθμισης δεξιόστροφα για να τη μειώσετε και αριστερόστροφα για να την αυξήσετε.
- Όταν μαγειρεύετε τροφές με υψηλή περιεκτικότητα σε λίπος, ενδέχεται η φλόγα να φουντώσει, εάν είναι πολύ υψηλή η επιλεγμένη ρύθμιση θερμότητας. Εάν συμβεί αυτό, χαμηλώστε τη θερμοκρασία μέχρι να καταλαγιάσει το φούντωμα της φλόγας.
- Μετά τη χρήση, βεβαιωθείτε ότι το κουμπί ρύθμισης της συσκευής βρίσκεται στη θέση OFF «•» και ότι η φλόγα έχει σβήσει πριν να αφαιρέσετε την παροχή υγραερίου.

8 Επιφάνειες μαγειρέματος GreenGrill

Οι περισσότερες επιφάνειες μαγειρέματος CADAC | Dometic διαθέτουν αντικολλητική κεραμική επίστρωση GreenGrill, η οποία δεν περιέχει χημικά, δεν είναι τοξική και κάνει το μαγείρεμα πιο υγιεινό.

Για να προετοιμάσετε την επιφάνεια μαγειρέματος

Πριν από την πρώτη χρήση, σας συνιστούμε να προετοιμάσετε την επιφάνεια μαγειρέματος για να μην κολλήσει το φαγητό.

- > Απλώστε μια λεπτή στρώση μαγειρικού λαδιού σε όλη την επιφάνεια μαγειρέματος και ζεστάνετε τη σε μέτρια φωτιά για 2-3 λεπτά.
- > Αφήστε την επιφάνεια μαγειρέματος να κρυώσει πριν την πλύνετε με χλιαρό νερό και σαπούνι.
- > Απλώστε ξανά μια λεπτή στρώση λαδιού στην επιφάνεια μαγειρέματος. Η επιφάνεια είναι πλέον έτοιμη για χρήση.

Καθαρισμός επιφάνειας μαγειρέματος

- > Αφήνετε πάντα τις επιφάνειες μαγειρέματος να κρυώσουν εντελώς πριν τις βυθίσετε μέσα σε νερό.
- > Καθαρίστε την επιφάνεια μαγειρέματος με ζεστό σαπουνόνερο και μαλακό σφουγγάρι. Αποφύγετε τη χρήση συρμάτων καθαρισμού.
- > Για να διαλύσετε επίμονους λεκέδες ή υπολείμματα, μουλιάστε την επιφάνεια μαγειρέματος για λίγα λεπτά σε χλιαρό νερό πριν να την πλύνετε.

Συντήρηση

- > Μετά τον καθαρισμό, σας συνιστούμε να απλώσετε μια μικρή ποσότητα λαδιού στην επιφάνεια μαγειρέματος πριν να την αποθηκεύσετε για να την προστατεύσετε από τον αέρα και την υγρασία.
- > Οι περισσότερες επιφάνειες μαγειρέματος συνοδεύονται από βολική θήκη αποθήκευσης. Τοποθετήστε τη λαδωμένη επιφάνεια μαγειρέματος σε μια πλαστική σακούλα πριν την αποθηκεύσετε στη θήκη της, για να διατηρήσετε τη θήκη καθαρή και χωρίς υπολείμματα.

Τρόποι μαγειρέματος

- > Ψήσιμο στη σχάρα: Η σχάρα μπάρμπεκιου είναι ιδανική για ψήσιμο κοτόπουλου, κρέατος, ψαριών ή λαχανικών χωρίς λίπος.
- > Τηγάνισμα: Η επίπεδη πλάκα σχάρας είναι ιδανική για τηγάνισμα σπιρ φράι, ψαριών, μπέικον, αυγών και λαχανικών, καθώς και για πανκέικς.
- > Βράσιμο: Η παρασκευή σαλτσών ή το μαγείρεμα ρυζιού και ζυμαρικών γίνεται εύκολα με την κατάλληλη κασαρόλα ή τηγάνι που τοποθετείται στη βάση για τα σκεύη. Μην χρησιμοποιείτε μαγειρικά σκεύη με πλαστικές λαβές, επειδή μπορεί να ζεσταθούν κατά τη διάρκεια του μαγειρέματος και να λιώσουν.

Προαιρετικά αξεσουάρ

- > Πέτρα για πίτσα Pizza Stone Pro: Ιδανική για πίτσες, αράβικες πίτσες κ.λπ. Για να δημιουργήσετε το εφέ «φούρνου» κατά το ψήσιμο, χρησιμοποιήστε το κατάκι.
- > Τηγάνι για παέγια: Κατασκευασμένο από ανθεκτικό αλουμίνιο υψηλής ποιότητας για ομοιόμορφη κατανομή της θερμότητας, το τηγάνι για παέγια είναι ιδανικό για την παρασκευή παέγια, ριζότο, πιάτων με ζυμαρικά, παραδοσιακών πρωινών κ.λπ.
- > Βάση καφετιέρας: Προσφέρει την τέλεια βάση παρασκευής καφέ για την καφετιέρα ή τον βραστήρα σας.



ΥΠΟΔΕΙΞΗ

- Η επιστροφή GreenGrill κατανέμει καλύτερα τη θερμότητα σε σύγκριση με τις συμβατικές αντικολητικές επιστρώσεις (PTFE). Επομένως, σας συνιστούμε να ρυθμίζετε την παροχή στο 75% της συνηθισμένης έντασης μαγειρέματος.
- Για να αποφύγετε ζημιές στην επιφάνεια μαγειρέματος, μην την αφήνετε πάνω στην πηγή θερμότητας χωρίς να έχετε απλώσει λάδι προηγουμένως.
- Σας συνιστούμε να τηγανίζετε με ηλιέλαιο ή κραμβέλαιο λόγω των υψηλών σημείων καύσης τους. Η χρήση ελαιολάδου δεν ενδείκνυται, επειδή διαθέτει χαμηλότερο σημείο καύσης και λόγω αυτού μπορεί να κολλήσουν ή να καούν τα συστατικά. Συμβουλή: Αφήνετε το κρέας ή το ψάρι να έρθουν σε θερμοκρασία δωματίου πριν από το τηγάνισμα για να μην κολλήσουν.
- Το καθαριστικό CADAC | Dometic Soft Soak και η βούρτσα Soft Soak (πωλούνται χωριστά) αποτελούν τα ιδανικά προϊόντα καθαρισμού για τις επιφάνειες μαγειρέματος GreenGrill, βοηθώντας στο μούλιασμα και την αφαίρεση των επίμονων υπολειμμάτων φαγητού.

9 Καθαρισμός της συσκευής

- > Για να παρατείνετε τη διάρκεια ζωής της συσκευής σας, καθαρίζετε την καλά μετά από κάθε χρήση.
- > Πριν να καθαρίσετε τη συσκευή, αφήστε την να κρυώσει.
- > Για να καθαρίσετε το σώμα της συσκευής, σκουπίστε απλώς με υγρό πανί και λίγο απορροπαντικό όπου χρειάζεται.
- > Μην βυθίζετε τη συσκευή σε νερό, επειδή έτσι, ενδέχεται να προκληθεί ζημιά στον σωλήνα του καυστήρα με αποτέλεσμα να παρουσιαστούν αστοχίες στη λειτουργία της συσκευής.
- > Φροντίστε να μην έρχονται σε επαφή με το νερό οι καυστήρες και η περιοχή της φλόγας έναυσης. Στεγνώστε πλήρως τη συσκευή πριν από τη χρήση.

- > Μην χρησιμοποιείτε καθαριστικά που προκαλούν εκτριβή, καθώς μπορεί να προκαλέσουν ζημιά στις επιφάνειες.
- > Μην χρησιμοποιείτε ατμοκαθαριστή υψηλής πίεσης ή πιστόλια νερού για τον καθαρισμό της συσκευής.



ΥΠΟΔΕΙΞΗ

Για επίμονους λεκέδες μπορείτε να χρησιμοποιήσετε το καθαριστικό φούρνου CADAC.

10 Αποθήκευση

- > Αφήστε τη μονάδα να κρυώσει και καθαρίστε την καλά προτού την αποθηκεύσετε.
- > Βεβαιωθείτε ότι η παροχή αερίου είναι κλειστή προτού την αποσυνδέσετε από τη συσκευή.
- > Μην αποθηκεύετε τη συσκευή με συνδεδεμένη την παροχή υγραερίου, πρόκειται για επισφαλή πρακτική.
- > Αποθηκεύστε τη συσκευή και την παροχή υγραερίου σε καλά αεριζόμενο χώρο μακριά από εύφλεκτα αντικείμενα. Αποθηκεύετε τις φιάλες κατά προτίμηση σε εξωτερικό χώρο, και όχι σε υπόγεια ή γκαράζ.

11 Συντήρηση και αντιμετώπιση βλαβών

- > Ο τακτικός καθαρισμός και η συντήρηση παρατείνουν τη διάρκεια ζωής της συσκευής σας και περιορίζουν την πιθανότητα εμφάνισης προβλημάτων.
- > Σας συνιστούμε να συντηρείτε τη συσκευή σας ανά 12 μήνες σε αντιπρόσωπο σέρβις για να διασφαλίσετε την αποτελεσματική λειτουργία της.
- > Μόνο εξουσιοδοτημένα άτομα επιτρέπεται να εκτελούν εργασίες σέρβις στη συσκευή.
- > Ελέγχετε τακτικά όλες τις συνδέσεις για διαρροές και κάθε φορά που γεμίζετε ή συνδέετε τη φιάλη υγραερίου.
- > Καθαρίζετε τα ανοίγματα του καυστήρα σε περίπτωση που χυθούν υγρά.

Αντιμετώπιση βλαβών

- > Σας συνιστούμε να καθαρίζετε ή να αντικαθιστάτε τα μπεκίς κάθε έξι μήνες για να εξασφαλίσετε την αποτελεσματική λειτουργία της συσκευής.

- > Εάν η συσκευή δεν λειτουργεί φυσιολογικά μετά την αποθήκευση και δεν καταφέρετε με τους ελέγχους να εντοπίσετε το πρόβλημα, ενδέχεται να είναι βουλωμένο το μπεκ. Αν η φλόγα είναι αδύναμη και κιτρινωπή ή δεν σχηματίζεται καθόλου, το μπεκ είναι βουλωμένο. Στην περίπτωση αυτή, αφαιρέστε και καθαρίστε σχολαστικά το μπεκ για να απομακρύνετε τυχόν ξένα σώματα.
- > Αφαιρέστε το μπεκ με απλά εργαλεία και φυσήξτε με αέρα για να απομακρύνετε τυχόν βρομιές. Διαφορετικά, αγοράστε νέα μπεκ από το κοντινό σας κατάστημα. Μην επιχειρήσετε να καθαρίσετε το μπεκ με μηχανικά μέσα.

Αντικατάσταση βουλωμένου μπεκ

Η συσκευή σας είναι εξοπλισμένη με ένα συγκεκριμένο μέγεθος μπεκ που ρυθμίζει τη σωστή ποσότητα αερίου. Εάν η σπή του μπεκ είναι βουλωμένη, η φλόγα ίσως να είναι αδύναμη ή να μην σχηματίζεται καθόλου. Μην καθαρίζετε το μπεκ με καρφίτσα ή παρόμοια συσκευή, καθώς είναι πιθανό να προκαλέσετε ζημιά στο μπεκ θέτοντας σε κίνδυνο την ασφάλεια της συσκευής. Για να αντικαταστήσετε το μπεκ, ακολουθήστε τα εξής βήματα:

 σχ. 7 στη σελίδα 6

1. Αφαιρέστε τον δίσκο συλλογής λίπους.
2. Αφαιρέστε τις τρεις βίδες από την πλάκα του διαχύτη θερμότητας και αφαιρέστε τον.
3. Ξεβιδώστε τις δύο βίδες στο συγκρότημα καυστήρα και αφαιρέστε το, προσέχοντας να μην προκαλέσετε ζημιές στο συνδεδεμένο καλώδιο ανάφλεξης.
4. Χρησιμοποιήστε κατάλληλο κλειδί για να αφαιρέσετε το μπεκ. Μην χρησιμοποιήσετε πένσα, γιατί μπορεί να προκαλέσετε ζημιά στο μπεκ. Βιδώστε το νέο μπεκ στη βαλβίδα, προσέχοντας να μην το σφίξετε υπερβολικά για να μην προκαλέσετε ζημιά.

12 Ανταλλακτικά

 σχ. 8 στη σελίδα 7



ΥΠΟΔΕΙΞΗ Χρησιμοποιείτε αποκλειστικά και μόνο γνήσια ανταλλακτικά. Επικοινωνήστε με τον κοντινότερο προμηθευτή σας.

13 Εγγύηση

Ισχύει η νόμιμη διάρκεια εγγύησης. Εάν το προϊόν είναι ελαττωματικό, επικοινωνήστε με το κατάστημα αγοράς ή με τον αντιπρόσωπο του κατασκευαστή στη χώρα σας. (Ανατρέξτε στη διεύθυνση: www.cadacinternational.com/support)

Για τυχόν επισκευή ή αξίωση κάλυψης από την εγγύηση, παρακαλούμε να αποστείλετε επίσης τα παρακάτω έγγραφα μαζί με το προϊόν:

- Ένα αντίγραφο της απόδειξης αγοράς με την ημερομηνία αγοράς
- Τον λόγο για την αξίωση κάλυψης από την εγγύηση ή μια περιγραφή του σφάλματος

Λάβετε υπόψη ότι τυχόν επισκευή από εσάς τον ίδιο ή μη επαγγελματική επισκευή ενδέχεται να έχει συνέπειες ασφαλείας καθώς και να αποτελέσει αιτία ακύρωσης της εγγύησης.

14 Τεχνικά χαρακτηριστικά

Πίνακας 22: Τεχνικά χαρακτηριστικά

Χώρα χρήσης	BE, CH, CY, CZ, ES, FR, GB, GR, IE, IT, LT, LU, LV, PT, SK, SI		PL	BE, CY, DK, EE, FR, FI, HU, IT, LT, NL, NO, SE, SI, SK, RO, HR, TR, BG, IS, LU, MT, ZA	AT, CH, DE, SK
Κατηγορία συσκευής	I _{3+(28-30/37)}		I _{3B/P (37)}	I _{3B/P (30)}	I _{3B/P (50)}
Επιτρεπόμενα αέρια	Βουτάνιο	Προπάνιο	Βουτάνιο, προπάνιο ή μείγμα των δύο		
Πίεση αερίου	28-30mbar	37mbar	37mbar	28-30mbar	50mbar
Μεγ. μπεκ	0.68		0.65	0.68	0.61
Ονομαστική χρήση	145 g / ώρα				
Ονομαστική είσοδος θερμότητας	2kW		2kW	2kW	2kW

Ονόματα χωρών και συντμήσεις

AT = Αυστρία	BE = Βέλγιο	BG = Βουλγαρία	CH = Ελβετία	CY = Κύπρος
CZ = Δημοκρατία της Τσεχίας	DE = Γερμανία	DK = Δανία	EE = Εσθονία	ES = Ισπανία
FI = Φιλανδία	FR = Γαλλία	GB = Ηνωμένο Βασίλειο	GR = Ελλάδα	HR = Κροατία
HU = Ουγγαρία	IE = Ιρλανδία	IS = Ισλανδία	IT = Ιταλία	LT = Λιθουανία
LU = Λουξεμβούργο	LV = Λετονία	MT = Μάλτα	NL = Ολλανδία	NO = Νορβηγία
PL = Πολωνία	PT = Πορτογαλία	RO = Ρουμανία	SE = Σουηδία	SI = Σλοβενία
SK = Σλοβακία	TR = Τουρκία			

Lietuvių k.

1	Svarbios pastabos.....	195
2	Simbolių paaiškinimas.....	195
3	Saugos instrukcijos.....	195
4	Dujų nuotėkis.....	197
5	Komponentų sąrašas.....	197
6	Prietaiso surinkimas.....	198
7	Prietaiso naudojimas.....	199
8	Kepimo paviršiai „GreenGrill“.....	199
9	Prietaiso valymas.....	200
10	Sandėliavimas.....	200
11	Priežiūra ir problemų šalinimas.....	200
12	Atsarginės dalys.....	201
13	Garantija.....	201
14	Techniniai duomenys.....	202

1 Svarbios pastabos

Atidžiai perskaitykite šią instrukciją ir sekite visas instrukcijas, nurodymus ir perspėjimus, pateiktus šiame gaminio vadove, ir griežtai jų laikykitės, kad užtikrintumėte, jog šis gaminys visada bus įrengtas, naudojamas ir prižiūrimas tinkamai. Ši instrukcija PRIVALO likti šalia šio gaminio.

Naudodamiesi šiuo gaminiu patvirtinate, kad atidžiai perskaitėte visas instrukcijas, nurodymus ir perspėjimus ir suprantate dokumente išdėstytas sąlygas bei sutinkate jų laikytis. Šį gaminį sutinkate naudoti tik pagal numatytąją paskirtį ir taip, kaip nurodo šioje gaminio instrukcijoje pateiktos instrukcijos, nurodymai ir perspėjimai, taip pat laikydami taikomų teisių ir teisės aktų. Nesilaikius galite susižaloti patys ir sužaloti kitus asmenis, pažeisti gaminį arba pridaryti žalos kitai netoliese esančiai nuosavybei. Ši gaminio instrukcija, taip pat ir instrukcijos, nurodymai, perspėjimai ir kiti susiję dokumentai, gali būti keičiami ir atnaujunami. Norėdami gauti naujausios informacijos apie gaminį, apsilankykite adresu documents.dometic.com.

2 Simbolių paaiškinimas

Signaliniu žodžiu pažymima informacija apie saugą ir turtinę žalą, taip pat nurodomas pavojaus rimtumo laipsnis ar lygis.



PAVOJUS!

nurodo pavojingą situaciją, kurios neišvengus gresia mirtinas arba sunkus sužalojimas.



ISPĖJIMAS!

nurodo pavojingą situaciją, kurios neišvengus gali grėsti mirtinas arba sunkus sužalojimas.



PERSPĖJIMAS!

nurodo pavojingą situaciją, kurios neišvengus gali grėsti lengvas arba vidutinio sunkumo sužalojimas.



PRANEŠIMAS!

Nurodo situaciją, kurios neišvengus, gresia materialinė žala.



PASTABA Papildoma informacija apie gaminio eksploatavimą.

3 Saugos instrukcijos

- > Atidžiai perskaitykite šias instrukcijas ir susipažinkite su prietaisu. Jei nesilaikysite šių instrukcijų, visos garantijos bus anuliotos. Išsaugokite šias instrukcijas ateičiai.

Bendroji sauga

- > Šių įspėjimų nesilaikymas kelia sunkių ar net mirtinų sužalojimų pavojų.



ISPĖJIMAS! Anglies monoksido pavojus

- > Niekada nenaudokite šio prietaiso viduje. Deginant skystas dujas susidaro anglies monoksidas, kuris kaupiasi uždaroje vietoje.
- > Šis dujinis prietaisas naudoja orą (deguonį). Reikia naudoti prietaisą gerai ventiliuojamoje vietoje.
- > Jei šalia naudojama daugiau dujinių prietaisų, pasirinkite papildoma ventiliacija.
- > Nenaudokite šio prietaiso neventiliuojamose vietose, pavyzdžiui, uždaroje patalpose, palapinėse, variklinėse transporto priemonėse, nameliuose ant ratų, poilsinėse transporto priemonėse, taip pat laivuose, jachtose ir sunkvežimių kabinose.
- > **Naudokite tik lauke.**



ISPĖJIMAS! Sprogimo pavojus

- > Nemodifikuokite šio prietaiso. Naudokite tik pagal paskirtį.
- > Šį gaminį gali taisyti tik kvalifikuotas personalas. Netinkamai atliktas remontas gali kelti didelį pavojų.



ISPĖJIMAS! Gaisro pavojus

- > Nepalikite šio prietaiso be priežiūros, kai jis karštas arba naudojamas.
- > Turėkite gesintuvą ar kitą priemonę, tinkamą liepsnai gesinti, jei kiltų avarinė situacija.

Sauga naudojimo metu

pav. 1 puslapyje 2



PAVOJUS! Sprogimo pavojus

- > Nenaudokite šio prietaiso, jei jis nesandarus, pažeistas arba veikia netinkamai.
- > Nenaudokite prietaiso, jei jo sandarikliai pažeisti arba nusidėvėję.



PERSPĖJIMAS! Nudėgimo pavojus

- > Laisvai pasiekiamos dalys gali būti labai įkaitę. Maži vaikai turi laikytis atokiai.
- > Tvarkydami karštus komponentus dėvėkite apsaugines pirštines.
- > Uždegdami liepsną ar naudodami prietaisą nevilkkite palaidais drabužiais ir susiriškite ilgus plaukus.
- > Laikykite rankas, veidą ir plaukus atokiau nuo degiklių.
- > Atidžiai stebėkite prietaiso aplinką, kad išvengtumėte nudėgimų ir kitų sužalojimų.
- > Naudokite prietaisą tik ant tvirto ir lygaus paviršiaus. Patikrinkite, ar surinktas prietaisas yra stabilus ir nesiūbuoja.
- > Patikrinkite, ar naudojant prietaisą keptuvės atrama / kepimo paviršiai yra tinkamai uždėti.
- > Nejudinkite prietaiso, kai jis naudojamas.
- > Pasirūpinkite, kad vaikai ir augintiniai laikytųsi atokiai saugiu atstumu.
- > Alkoholis ir receptiniai ar nereceptiniai vaistai gali pakenkti jūsų gebėjimui tinkamai surinkti ar saugiai naudoti šį prietaisą.
- > Prieš liedsdami šį prietaisą nuogomis rankomis, palaukite, kol jis pakankamai atauš.



PERSPĖJIMAS! Gaisro pavojus

- > Naudojamas prietaisas turi būti laikomas atokiai nuo degių medžiagų. Būtinieji saugos atstumai: 120 cm virš prietaiso ir 60 cm už bei šalia prietaiso.
- > Nedėkite šio prietaiso ir neremkite jį jokių objektų, išskyrus valgiui ruošti skirtus puodus ir keptuves.
- > Jei maistą ruošiate puode ar keptuvėje, naudokite tik rekomenduojamo dydžio

– nuo 150 mm iki 300 mm skersmens – indus.

- > Šalia prietaiso nedėkite cheminių medžiagų, degių medžiagų ar purškiamų aerozolių.
- > Kilus gaisrui, nedelsdami išjunkite dujų tiekimą.

Atsargumo priemonės, susijusios su dujomis ir žarnelėmis

- > Naudokite šį prietaisą tik su patvirtinta žarnele ir reguliatoriumi.



PAVOJUS! Sprogimo pavojus

- > Naudokite šį prietaisą tik su patvirtinta žarnele ir reguliatoriumi.
- > Niekaip nekeiskite ir nemodifikuokite reguliatoriaus.
- > Nenaudokite prietaiso, jei žarnelė sugadinta arba nusidėvėjusi. Tikrinkite žarnelės sveikumą prieš kiekvieną naudojimą ir prieš prijungdami prie dujų šaltinio.
- > Dujos tiekiamos į prietaisą pro žarnelę ir reguliatorių, prijungtus prie ne daugiau kaip 9 kg dujų baliono, atitinkančio vietos teisės aktus, arba prie „CADAC Dometic Power Pak“ – įrenginio su dviem ar daugiau dujų kasečių. Gali būti pavojinga bandyti prijungti kitokių tipų dujų balionus ar dujų kasetes.
- > Leidžiama naudoti tik su dujų balionu, kurio aukštis neviršija 500 mm (be reguliatoriaus), o plotis neviršija 350 mm.
- > Prijunkite dujų šaltinį pakankamai ventiliuojamoje vietoje, geriausia – lauke, toliau nuo uždegimo šaltinių, pvz., atviros liepsnos ir laužavietės, bei atokiai nuo kitų žmonių.
- > Saugokite dujų šaltinį nuo karščio ir liepsnos. Nedėkite jo ant viryklės ar kito karšto paviršiaus.
- > Tvirtindami žarnelę prie prietaiso nukreipkite ją nuo prietaiso korpuso. Nesukiokite ir nesuspauskite žarnelės.
- > Naudojant prietaisą, dujų balionas turi stovėti vertikaliai, kad būtų užtikrintas tinkamas dujų tiekimas. Antraip gali pasirodyti skystų dujų, o tai lems pavojingas naudojimo sąlygas.
- > Neatjunkite dujų šaltinio, kai šis prietaisas naudojamas.

- > Atjungti dujų šaltinį nuo šio prietaiso leidžiama tik baigus naudoti arba kai prietaisas nenaudojamas.
- > Jei dujos vis tiek prateka, perduokite gaminį įgaliojajam remonto atstovui.

4 Dujų nuotėkis

Pro sugadintas žarnelas arba netinkamas jungtis pratekančios dujos gali sukurti pavojingas sąlygas, todėl tokius nuotėkius reikia nedelsiant šalinti. Siekiant užkirsti kelią dujų nuotėkiui, labai svarbu tinkamai sumontuoti visas dujų jungtis.



PAVOJUS! Sprogimo pavojus

- > Jei užuodžiate dujas, nedelsdami išjunkite dujų tiekimą dujų baliono vožtuve, o prietaise pasukite valdymo rankenėlę į išjungimo padėtį.
- > Užgesinkite visas atviras liepsnas
- > Perkelkite prietaisą į vietą, kurioje nėra liepsnos, ir atlikite dujų nuotėkio bandymą. Šį bandymą reikia atlikti lauke, gerai ventiliuojamoje vietoje, atokiau nuo atvirų liepsnų ar uždegimo šaltinių.
- > Niekada nenaudokite atviros liepsnos dujų nuotėkiui išskoti, naudokite muiliną vandenį.

Kaip atlikti dujų nuotėkio bandymą

Atlikti dujų nuotėkio bandymą reikia kiekvieną kartą, kai prietaise ar dujų šaltinyje montuojama žarnelė ir reguliatorius, taip pat kai pakeičiamas dujų šaltinis.



PAVOJUS! Neaptikus ir nepašalinus dujų nuotėkio kyla sužalojimų ir net žūties pavojus.

- > Atlikdami dujų nuotėkio bandymą užpilkite muilino vandens ant visų prijungimo taškų dujų žarnelės kelyje, t. y. ant jungties tarp dujų žarnelės ir prietaiso bei jungties tarp reguliatoriaus ir dujų šaltinio.
- > Lėtai atsukite dujų baliono vožtuvą, kad pradėtų tekėti dujos.
- > Jei prijungimo taške atsiranda burbuliukų, čia yra dujų nuotėkis.
- > Nedelsdami išjunkite dujų tiekimą ir atjunkite dujų šaltinį nuo prietaiso. Patikrinkite, ar visi tarpikliai yra savo vietose, o jų būklė tinkama. Pakeiskite visas poveržles, kurios atrodo sugadintos.
- > Vėl prijunkite dujų šaltinį prie prietaiso ir kartokite dujų nuotėkio bandymą.

Liepsnos stabilumas

Naudodami prietaisą tikrinkite liepsnos stabilumą.



ĮSPĖJIMAS! Nekontroliuojamas liepsnos įtraukimas (liepsnos degimas degiklyje arba antgalio korpusė) gali lemti pavojingas naudojimo sąlygas.

- > Pastebėję liepsnos įtraukimą, nedelsdami išjunkite dujų tiekimą pirmiausia užsukdami dujų baliono vožtuvą, o tada pasukdami prietaiso valdymo rankenėlę į išjungimo padėtį. Kai liepsna užges, išimkite reguliatorių ir tikrinkite tarpiklio būklę; prireikus pakeiskite.
- > Vėl prijunkite dujų tiekimą ir uždekite liepsną prietaise.
- > Jei liepsna vis tiek įtraukiama, perduokite gaminį įvertinti įgaliojajam remonto atstovui.

5 Komponentų sąrašas

pav. 2 puslapyje 3

Komponentas	Aprašymas
①	Domed lid / Pot
②	Barbecue griddle
③	Flat griddle
④	Pan support
⑤	Drip pan
⑥	Burner
⑦	Control knob
⑧	Igniter
⑨	Quick release connection
⑩	Flat lid
⑪	BBQ 2 Plancha 30
⑫	Paella Pan 30

Modelio komponentai

Asortimento modelių deriniai nurodyti toliau:

	6545-10	6545-20	6545-25
1	X	X	X
2	X	X	X
3	X		X
4	X	X	X
5	X	X	X
6	X	X	X
7	X	X	X
8	X	X	X
9			X
10			X
11			
12			

6 Prietaiso surinkimas

pav. 3 puslapyje 4



ĮSPĖJIMAS! Bendroji sauga

Kojeles veikia spyruoklės jėga. Atidaryti ir uždaryti kojeles reikia kontroliuojamai, kad nesusižeistumėte ir nesugadintumėte prietaiso.

Norėdami atidaryti kojeles

- > Nuimkite nuo prietaiso visas nepritvirtintas dalis. Apverskite prietaisą ir kelkite kiekvieną kojelę atskirai. Kojelei atsidūrus tinkamoje padėtyje, pasigirs spragtelėjimas.

Norėdami užlenkti kojeles

- > Tvirtai laikykite kojelę ir stumkite kojelės atleidimo fiksatorių žemyn (M). Spauskite kojeles į vidų, į uždarymo padėtį. Kad prietaisas užimtų mažiau vietos, reikia daryti tai tinkama tvarka, pradėdam nuo priekinės kairiosios kojelės (1), tada pereinant prie priekinės dešinėsios kojelės (2) ir baigiant galine kojele (3).

Dujų šaltinio prijungimas

pav. 4 puslapyje 4

	A	B	C
LT	Regulatorius	Tarpiklis	Reguliuavimo vožtuvas

- > Prieš prijungdami prietaisą prie dujų šaltinio įsitikinkite, kad guminis tarpiklis yra uždėtas ant reguliatoriaus, o jo būklė tinkama.
- > Prieš prijungdami patvirtintą žarnelę ir reguliatorių prie prietaiso patikrinkite, ar prietaiso valdymo rankenėlė yra išjungimo padėtyje „•“.
- > Nupūskite visas dulkes nuo dujų tiekimo angos, kad neušsikimštų injektorius.
- > Pasirūpinkite, kad dujų šaltinis būtų statomas tinkamai ventiliuojamoje vietoje ir atokiai nuo bet kokių uždegimo šaltinių, pavyzdžiui, atviros liepsnos, bei toliau nuo kitų žmonių.
- > Prijungdami arba keisdami dujų šaltinį nerūkykite.
- > Dujų balionas visada turi stovėti vertikaliai. Prijunkite reguliatorių prie dujų baliono ir pirštais priveržkite jungtį.

Žarnelės prijungimas prie prietaiso

pav. 5 puslapyje 5

- > Prijunkite žarnelę prie prietaiso. Priveržkite, kad jungtis būtų sandari. Nesuokiokite ir nesuspauskite žarnelės. Pasirūpinkite, kad ji būtų nutiesta atokiai nuo dujinio prietaiso korpuso ir karštis negalėtų sugadinti žarnelės ar pabloginti jos būklės.
- > Įsitikinkite, kad visa dujinė sistema yra sandari, atlikdami dujų nuotėkio bandymą, kaip aprašyta skyriuje Dujų nuotėkis. Jei nepavyksta pašalinti dujų nuotėkio, nenaudokite prietaiso. Jei abejojate, kreipkitės į artimiausią prekybos atstovą.
- > Atlikite šias saugos patikras kiekvieną kartą, kai prijungiate prietaisą prie dujų šaltinio.

Dujų šaltinio atjungimas ir keitimas

- > Baigę naudoti, pasukite prietaiso valdymo rankenėlę į išjungimo padėtį „•“ ir uždarykite dujų tiekimą.
- > Atėjus laikui pakeisti tuščią dujų balioną, būtina uždarykite ant jo esantį dujų vožtuvą.
- > Nuimkite reguliatorių nuo tuščio baliono ir pritvirtinkite prie pilno. Kaip prijungti dujų šaltinį, žr. pirmiau pateiktose instrukcijose.
- > Imkitės tokių pačių atsargumo ir tikrinimo priemonių kaip montuodami naują dujų balioną.

Kaip patikrinti, ar dujų balionas tuščias

- > Tuščio dujų baliono svoris paprastai būna įspaustas ant jo kakliuko arba apatinio žiedo. Pasvėrę balioną sužinosite, kiek jame liko dujų. Jei svoris atitinka pažymėtąjį ant baliono, balionas yra tuščias. Skirtumas tarp esamo svorio ir pažymėto svorio rodo likusį dujų kiekį.

7 Prietaiso naudojimas

- > Prieš naudodami pirmą kartą patikrinkite, ar nuėmėte nuo prietaiso visas apsaugines pakuotes ir plastiką.
- > Prieš kiekvieną naudojimą tikrinkite, ar visos dalys yra tinkamos naudoti. Kiekvieną kartą prijungę ar pakeitę dujų šaltinį, atlikite dujų nuotėkio bandymą, kaip aprašyta skyriuje Dujų nuotėkis.
- > Jei prietaisas ilgai nebuvo naudojamas, tikrinkite, ar jame nėra vabzdžių, atplaišų ir voratinklų, kurie gali trukdyti dujų srautui.
- > Naudokite šį prietaisą tik ant tvirto ir lygaus paviršiaus.
- > Nejudinkite prietaiso, kai jis naudojamas. Tai nesaugu ir gali sukelti gaisrą.
- > Uždegdami liepsną prietaise nuimkite visus kepimo paviršius.
- > Naudokite tik kepimo indus, kurių skersmuo nuo 150 mm iki 300 mm.

Prietaiso liepsnos uždegimas uždegikliu

pav. 6 puslapyje 5

- > Norėdami uždegti dujų degiklį, paspauskite valdymo rankenėlę ir sukite ją prieš laikrodžio rodyklę į didžiausio nustatymo padėtį kartu spausdami uždegiklio mygtuką.
- > Jei dujos neužsidega nuo pirmos kibirkšties, pasukite valdymo rankenėlę atgal į išjungimo padėtį „•“ ir tada bandykite dar kartą.
- > Jei dujos neužsidega per pirmas dvi ar tris sekundes, uždarykite reguliavimo vožtuvą pasukdami valdymo rankenėlę atgal į išjungimo padėtį „•“.
- > Palaukite maždaug 30 s, kad visos degiklyje susikaupusios dujos išsisklaidytų. Jei reikia, kartokite šiuos veiksmus, kol liepsna užsidegs. Paprastai liepsna turi užsidegti per vieną ar dvi sekundes.

Prietaiso liepsnos uždegimas kepsninių žiebtuvėliu

- > Uždegant liepsna šaltame prietaise, galima tai daryti degiklio viršuje, prieš uždėdant norimą kepimo paviršių.
- > Uždegant liepsną karštame prietaise, galima tai daryti įkišant kepsninių žiebtuvėlį pro vieną iš ventilacijos angų po degikliu ir sulgyavus jį su degikliu. NEKIŠKITE kepsninių žiebtuvėlio pro didelę angą tiesiai po degikliu.
- > Įkišę kepsninių žiebtuvėlį į reikiamą padėtį, uždekite žiebtuvėlį, tada stumkite jį į vidų ir sukdami valdymo rankenėlę prieš laikrodžio rodyklę uždekite dujų degiklį.



PASTABA

- Kai prietaiso liepsna užsidegs, reguliuokite jos intensyvumą: sukdami valdymo rankenėlę pagal laikrodžio rodyklę mažinkite liepsną, o sukdami prieš laikrodžio rodyklę didinkite ją.
- Jei ruošiate riebų maistą ir pasirinksite didelį karščio nustatymą, kils plykščiojimo pavojus. Jei taip įvyks, mažinkite liepsną, kol plykščiojimas liausis.
- Baigę naudoti, pasukite prietaiso valdymo rankenėlę į išjungimo padėtį „•“, įsitikinkite, kad liepsna užgeso, ir tada atjunkite dujų šaltinį.

8 Kepimo paviršiai „GreenGrill“

Daugelyje CADAC | „Dometic“ kepimo paviršių naudojama neprideganti keraminė danga „GreenGrill“ – jos sudėtyje nėra PFOA ir ji netoksiška, todėl galite ruošti maistą sveikiau.

Kepimo paviršiaus paruošimas

Rekomenduojama paruošti kepimo paviršių prieš pirmąjį kepimą, kad maistas nepridegtų.

- > Padenkite visą kepimo paviršių plonu kepimo aliejaus sluoksniu ir 2–3 minutes kaitinkite jį nustatę vidutinį karštį.
- > Palaukite, kol kepimo paviršius ataus, ir nuplaukite jį šiltu vandeniu su muilu.
- > Dar kartą padenkite kepimo paviršių plonu sluoksniu aliejaus. Dabar jis paruoštas naudoti.

Kepimo paviršiaus valymas

- > Prieš merkdami į vandenį palaukite, kol kepimo paviršiai visiškai ataus.
- > Plaukite kepimo paviršių šiltu muilinu vandeniu ir minkšta kempine. Nenaudokite šveitimo kempinėlių.
- > Jei dėmės ar likučiai nenusivalo, kelias minutes mirkykite kepimo paviršių šiltame vandenyje, tada bandykite plauti.

Priežiūra

- > Nuvalius, rekomenduojame patepti kepimo paviršių trupučiu aliejaus ir tik tada padėti į laikymo vietą; tai apsaugos paviršių nuo drėgmės.
- > Daugelis kepimo paviršių pateikiami su patogiu naudoti laikymo krepšiu. Įdėkite aliejumi pateptą kepimo paviršių į plastikinį maišelį ir tik tada dėkite į laikymo krepšį, kad krepšys liktų švarus ir nebūtų užterštas likučiais.

Maisto ruošimo būdai

- > Kepimas ant grotelių: kepimo grotelės idealiai tinka, jei norite be riebalų iškepti vištieną, raudoną mėsą, žuvį ar daržoves.
- > Kepimas ant keptuvės: plokščia kepimo plokštė tobulai tinka kepti greitai kepaniems produktams, žuviai, kumpiui, kiaušiniams ir daržovėms, taip pat blynams.
- > Virimas: padėjus tinkamą puodą ar keptuvę ant keptuvės laikiklio, galima lengvai ruošti padažus arba virti ryžius ir makaronus. Nenaudokite kepimo indų su plastikinėmis rankenomis, nes ruošiant maistą jos gali įkaisti ir išsilydyti.

Pasirenkami priedai

- > „Pizza Stone Pro“: idealiai tinka kepti picoms, papločiams ir pan. Reikia naudoti kupolą taip sukuriant kepimo „orkaitę“.
- > „Paella Pan“: iš kokybiško presuoto aliuminio, tolygiai paskirstančio šilumą, pagamintas „Paella Pan“ puikiai tinka ruošti paelijoms, daugiaryžiams, makaronų patiekalams, tradiciniams pusryčiams ir pan.
- > „Coffee Pot Stand“: tai puikus stovas jūsų kavavirei ar virdulei.



PASTABA

- Danga „GreenGrill“ perduoda šilumą geriau nei įprastos (PTFE) nepridegančios dangos. Todėl rekomenduojame naudoti tik 75 % įprastos kaitinimo galios.
- Kad nesugadintumėte kepimo paviršiaus, niekada nepalikite jo ant šilumos šaltinio be aliejaus sluoksnio.
- Kepant rekomenduojame naudoti saulėgrąžų arba rapsų aliejų, nes jiems būdinga aukšta užsiliepsnojimo temperatūra. Nerekomenduojame naudoti alyvuogių aliejaus, nes jo užsiliepsnojimo temperatūra žema, todėl ingredientai gali prikepti arba sudegti. Patarimas: prieš kepdamis atšildykite mėsą ar žuvį iki kambario temperatūros, kad nepridegtų.
- CADAC | „Dometic“ produktai „Soft Soak“ ir „Soft Soak Brush“ (parduodami atskirai) idealiai tinka „GreenGrill“ kepimo paviršiams valyti, jie padeda mirkyti ir nuvalyti prikėpusius maisto likučius.

9 Prietaiso valymas

- > Kad prietaisas veiktų ilgiau, tinkamai valykite jį po kiekvieno naudojimo.

- > Prieš valydami prietaisą palaukite, kol jis atauš.
- > Prietaiso korpusą galima valyti tiesiog drėgna šluoste su trupučiu valiklio, jei reikia.
- > Nemerkite prietaiso į vandenį, nes tai gali pakenkti degiklio vamzdeliui ir prietaisas suges.
- > Saugokite degiklius ir uždegiklio sritį nuo vandens. Prieš naudodami gerai išdžiovininkite prietaisą.
- > Nenaudokite abrazyvinių valiklių, nes jie gali sugadinti paviršius.
- > Nevalykite prietaiso suslėgtaisiais garais arba vandens srove.



PASTABA

Jei nešvarumai sunkiai valosi, galima naudoti CADAC krosnių valiklį.

10 Sandėliavimas

- > Prieš padėdami sandėliuoti palaukite, kol prietaisas atauš, ir tinkamai jį nuvalykite.
- > Prieš atjungdami nuo prietaiso dujų šaltinį patikrinkite, ar jis užsuktas.
- > Niekada nesandėliuokite prietaiso su prijungtu dujų šaltiniu, tai daryti nesaugu.
- > Laikykite prietaisą ir dujų šaltinį tinkamai ventiliuojamoje vietoje ir toliau nuo degių medžiagų. Geriausia laikyti balionus lauke, niekada nelaikykite jų rūsyje arba garaže.

11 Priežiūra ir problemų šalinimas

- > Reguliarus valymas ir priežiūra pailgins prietaiso tinkamumo naudoti laiką ir sumažins problemų tikimybę.
- > Rekomenduojame, kad techninės priežiūros atstovas kas 12 mėnesių atliktų prietaiso priežiūros darbus, tai užtikrins jo veikimo efektyvumą.
- > Šio prietaiso techninės priežiūros darbus leidžiama atlikti tik įgaliotajam asmeniui.
- > Reguliariai tikrinkite visų jungčių sandarumą, be to, darykite tai kiekvieną kartą, kai užpildote arba prijungiate dujų balioną.
- > Jei ant degiklio prievadų pateko maisto, valykite juos.

Gedimų nustatymas ir šalinimas

- > Rekomenduojame valyti arba keisti injektorius kas šešis mėnesius, tai užtikrins jų veikimo efektyvumą.

- > Jei kurį laiką nenaudotas prietaisas veikia neįprastai ir tikrindami nerandate problemos priežasties, galėjo užsikimšti injektorius. Injektoriaus užkimšimą rodo silpnesnė geltona liepsna arba liepsnos nebuvimas. Tokiu atveju išimkite ir kruopščiai išvalykite injektorių pašalindami visas pašalines medžiagas.
- > Išimkite injektorių naudodamiesi standartiniais įrankiais ir išpūskite visus nešvarumus. Arba vietinėje parduotuvėje įsigykite naujų injektorių. Nebandykite valyti injektorių mechaniškai.

Atminkite, kad savarankiškas arba neprofesionalus remontas gali turėti pasekmių saugai ir anuliuoti garantiją.

Užsikimšusio injektoriaus keitimas

Jūsų prietaise sumontuotas reikiamo dydžio injektorius, sureguliuojantis reikiamą dujų kiekį. Jei užsikimšo injektoriaus anga, liepsna gali būti silpna arba gali visai jos nebūti. Nevalykite injektoriaus smeigtuku ar panašiu įrankiu, nes tai gali sugadinti injektorių ir naudoti prietaisą gali būti nebesaugu. Norėdami pakeisti injektorių, atlikite toliau nurodytus veiksmus:

pav. 7 puslapyje 6

1. Nuimkite riebalų indą.
2. Išukite tris varžtus šilumos skydo plokštėje ir nuimkite šilumos skydą.
3. Išukite du degiklio bloko varžtus ir nuimkite jį, saugokitės, kad nesugadintumėte prijungto uždegiklio laido.
4. Naudodamiesi tinkamu veržliarakčiu išimkite injektorių; nenaudokite replių, nes jomis galite sugadinti injektorių. Įsukite į vožtuvą naują injektorių, neveržkite jo per stipriai, nes tai gali jį sugadinti.

12 Atsarginės dalys

pav. 8 puslapyje 7



PASTABA Naudokite tik originalias atsargines dalis. Kreipkitės pagalbos į vietinį tiekėją.

13 Garantija

Taikomas įstatymų nustatytas garantinis laikotarpis. Jei gaminys yra nepriimtinos kokybės, kreipkitės į pardavėją arba gamintojo filialą savo šalyje. (žr. www.cadacinternational.com/support).

Jei reikalingas remontas ir garantinis aptarnavimas, pristatydami gaminį pateikite šiuos dokumentus:

- Kvito kopiją su nurodyta pirkimo data
- Pretenzijos priežastį arba gedimo aprašymą

14 Techniniai duomenys

Lentelė 23: Techniniai duomenys

Naudojimo šalis	BE, CH, CY, CZ, ES, FR, GB, GR, IE, IT, LT, LU, LV, PT, SK, SI		PL	BE, CY, DK, EE, FR, FI, HU, IT, LT, NL, NO, SE, SI, SK, RO, HR, TR, BG, IS, LU, MT, ZA	AT, CH, DE, SK
Prietaiso kategorija	I _{3+(28-30/37)}		I _{3B/P (37)}	I _{3B/P (30)}	I _{3B/P (50)}
Leidžiamos dujos	Butanas	Propanas	Butanas, propanas arba jų mišinys		
Dujų slėgis	28–30 mbar	37mbar	37mbar	28–30 mbar	50mbar
Srauto skaičius	0.68		0.65	0.68	0.61
Vardinės sąnaudos	145 g/val.				
Bendroji vardinė tiekiamoji šiluminė galia	2kW		2kW	2kW	2kW

Šalių pavadinimai ir santrumpos

AT = Austrija	BE = Belgija	BG = Bulgarija	CH = Šveicarija	CY = Kipras
CZ = Čekijos Respublika	DE = Vokietija	DK = Danija	EE = Estija	ES = Ispanija
FI = Suomija	FR = Prancūzija	GB = Jungtinė Karalystė	GR = Graikija	HR = Kroatija
HU = Vengrija	IE = Airija	IS = Islandija	IT = Italija	LT = Lietuva
LU = Liuksemburgas	LV = Latvija	MT = Malta	NL = Nyderlandai	NO = Norvegija
PL = Lenkija	PT = Portugalija	RO = Rumunija	SE = Švedija	SI = Slovėnija
SK = Slovakija	TR = Turkija			

Latviešu

1	Svarīgas piezīmes.....	203
2	Simbolu skaidrojums.....	203
3	Drošības norādes.....	203
4	Gāzes noplūdes.....	205
5	Komponentu saraksts.....	205
6	Ierīces montāža.....	206
7	Ierīces izmantošana.....	207
8	GreenGrill ēdiena gatavošanas virsmas.....	207
9	Ierīces tīrīšana.....	208
10	Uzglabāšana.....	208
11	Apkope un problēmu novēršana.....	209
12	Rezerves daļas.....	209
13	Garantija.....	209
14	Tehniskie dati.....	210

1 Svarīgas piezīmes

Lūdzam rūpīgi izlasīt un ņemt vērā visus produkta rokasgrāmatā iekļautos norādījumus, vadlīnijas un brīdinājumus, lai nodrošinātu, ka jūs šo produktu vienmēr uzstādāt, lietojat un apkopjat atbilstoši. Šie norādījumi ir OBLIGĀTI jā saglabā kopā ar šo produktu.

Lietojot šo produktu, jūs apstiprināt, ka esat rūpīgi izlasījuši visus norādījumus, vadlīnijas un brīdinājumus, un jūs saprotat un piekristat ievērot šeit izklāstītos noteikumus un nosacījumus. Jūs piekristat lietot šo produktu tikai tā paredzētajam mērķim un lietojumam saskaņā ar norādījumiem, vadlīnijām un brīdinājumiem, kas izklāstīti šī produkta rokasgrāmatā, kā arī ievērojot visus piemērojamos normatīvos aktus. Šeit izklāstīto norādījumu un brīdinājumu neizlasīšana un neievērošana var izraisīt traumas sev un citiem, vai radīt bojājumus pašam produktam vai apkārt esošam īpašumam. Informācija šajā produkta rokasgrāmatā, tajā skaitā norādījumi, vadlīnijas, brīdinājumi un saistītā dokumentācija, var tikt mainīta un papildināta. Lai iegūtu jaunāko informāciju par produktu, apmeklējiet vietni documents.dometic.com.

2 Simbolu skaidrojums

Signālvārds identificē drošības ziņojumus un ziņojumus par īpašuma bojājumu, kā arī norāda bīstamības smaguma pakāpi vai līmeni.



BĪSTAMI!

Apzīmē bīstamu situāciju, kas izraisīs nāvējošus vai nopietnus savainojumus, ja netiks novērsta.



BRĪDINĀJUMS!

Apzīmē bīstamu situāciju, kas var izraisīt nāvējošus vai nopietnus savainojumus, ja netiks novērsta.



ESIET PIESARDZĪGI!

Apzīmē bīstamu situāciju, kas var izraisīt vieglus vai vidēji smagus savainojumus, ja netiks novērsta.



NĒMIET VĒRĀ!

Apzīmē bīstamu situāciju, kas var izraisīt materiālu kaitējumu, ja netiks novērsta.



PIEZĪME Papildu informācija produkta lietošanai.

3 Drošības norādes

- > Rūpīgi izlasiet šos norādījumus, lai iepazītos ar ierīci. Ja neievērosiet šos norādījumus, visas sniegtās garantijas vairs nebūs spēkā. Saglabājiet šos norādījumus turpmākai atsaucei.

Vispārīga drošība

- > Šo brīdinājumu neievērošana var izraisīt bojāeju vai smagu traumu.



BRĪDINĀJUMS! Oglekļa monoksīda rādītis apdraudējums

- > Nekad nelietojiet šo produktu telpās. Sašķidrīnātas gāzes sadegšanas procesā rodas oglekļa monoksīds, kas uzkrājas slēgtās telpās.
- > Šī gāzes iekārta patērē gaisu (skābekli). Nodrošiniet, lai ierīce tiek izmantota vietā ar labu ventilāciju.
- > Nodrošiniet papildu ventilāciju, ja šajā vietā ir vēl citas ierīces.
- > Neizmantojiet šo ierīci vietās bez ventilācijas, piemēram, slēgtās telpās, teltīs, marķīzes teltīs, autofurgonos, dzīvojamās piekabēs, kuģos, jahtās, laivās un kravas automašīnu kabinēs.
- > **Drīkst izmantot tikai ārā.**



BRĪDINĀJUMS! Sprādzienbīstamība

- > Nepārveidojiet šo ierīci. Izmantojiet to tikai tā, kā paredzēts.
- > Izstrādājuma remontu drīkst veikt tikai kvalificēts speciālists. Nepareizi veikts remonts var radīt nopietnu risku.



BRĪDINĀJUMS! Ugunsdrošības apdraudējums

- > Ja ierīce ir karsta vai tiek izmantota, neatstājiet to bez uzraudzības.

- > Turiet netālu ugunsdzēsamo aparātu vai citus līdzekļus, kas piemēroti liesmas nodzēšanai ārkārtas gadījumā.

Drošība lietošanas laikā

 att. 1 lpp. 2



BĪSTAMI! Sprādzienbīstamība

- > Neizmantojiet šo ierīci, ja tai ir noplūdes, bojājumi, vai tā darbojas nepareizi.
- > Neizmantojiet šo ierīci, ja tai ir bojātas vai nodilušas blīves.



ESIET PIESARDZĪGI! Apdegumu risks

- > Piekļuvei pieejamās daļas varbūt ļoti karstas. Uzraugiet mazus bērnus.
- > Rīkojoties ar karstām detaļām, izmantojiet aizsargcimdus.
- > Degļa aizdedzināšanas vai šīs ierīces lietošanas laikā nevalkājiet vaļīgu apģērbu un neļaujiet gariem matiņiem brīvi nokarāties.
- > Netuvojiet rokas, seju un matus degļiem.
- > Rūpīgi uzraugiet visas aktivitātes šīs ierīces tuvumā, lai izvairītos no apdegumiem un citām traumām.
- > Vienmēr izmantojiet ierīci uz stingras, līdzenas virsmas. Pārļiecinieties, ka samontētais produkts ir stabils un nešūpojas.
- > Pārļiecinieties, ka ierīces lietošanas laikā pannas balsts / ēdiena gatavošanas virsmas ir pareizi novietotas.
- > Nepārvietojiet ierīci tās izmantošanas laikā.
- > Nodrošiniet, lai bērni un mājdzīvnieki atrastos drošā attālumā.
- > Alkohola, recepšu vai bezrecepšu zāļu lietošana var mazināt jūsu spēju pareizi samontēt vai droši lietot šo ierīci.
- > Pirms pieskaršanās šai ierīcei ar kailām rokām ļaujiet tai labi atdzist.



ESIET PIESARDZĪGI! Ugunsdrošības apdraudējums

- > Izmantošanas laikā ierīces tuvumā nedrīkst atrasties uzliesmojoši materiāli. Minimālie drošie attālumi ir šādi: 120 cm virs ierīces un 60 cm aizmugurē un sānos.

- > Lieciet uz šīs ierīces tikai ēdiena gatavošanai paredzētos katlus un pannas, un neko pret to neatbalstiet.
- > Ēdiena gatavošanai izmantojot katlu vai pannu, lietojiet tikai ieteikto katlu izmēru ar diametru no 150 mm līdz 300 mm.
- > Nenovietojiet šīs ierīces tuvumā ķīmikālijas, uzliesmojošus materiālus vai izsmidzināmus aerosolus.
- > Ugunsgrēka gadījumā nekavējoties izslēdziet gāzes padevi.

Ar gāzi un šļūteni saistītie drošības pasākumi

- > Izmantojiet šo ierīci tikai ar apstiprinātu šļūteni un regulatoru.



BĪSTAMI! Sprādzienbīstamība

- > Izmantojiet šo ierīci tikai ar apstiprinātu šļūteni un regulatoru.
- > Nekādā veidā nemainiet vai nepārveidojiet regulatoru.
- > Nelietojiet ierīci, ja šļūtene ir bojāta vai nodilusi. Pirms katras lietošanas reizes un pievienošanas gāzes avotam pārbaudiet, vai šļūtene nav bojāta.
- > Gāze tiek nodrošināta ierīcei, izmantojot šļūteni un regulatoru, kas pievienots gāzes balonam, kura tilpums nav lielāks par 9 kg un atbilst spēkā esošajiem vietējiem noteikumiem, vai pievienots CADAC Dometic Power Pak, kas ir bloks, kurā var ievietot divus vai vairāk gāzes baloniņus. Var būt bīstami mēģināt uzstādīt cita veida gāzes balonus vai baloniņus.
- > Drīkst lietot tikai ar gāzes balonu, kura augstums nav lielāks par 500 mm (bez regulatora) un platums nav lielāks par 350 mm.
- > Pievienojiet gāzes avotu kādā vietā ar labu ventilāciju, vēlams ārā, kur tuvumā nav citu cilvēku un tādu aizdegšanās avotu kā atklāta liesma un ugunsurs.
- > Glabājiet gāzes avotu vietā, kurā nav karstuma un liesmu. Nenovietojiet uz plīts vai citas karstas virsmas.
- > Piestiprinot šļūteni pie ierīces, novietojiet šļūteni virzienā prom no ierīces korpusa. Nesamezglājiet un nesaspiediet šļūteni.
- > Lietošanas laikā turiet gāzes avotu vertikāli, lai nodrošinātu pareizu degvielas padevi. Ja tas netiek darīts, var notikt šķidruma

noplūde, kas rada bīstamus ekspluatācijas apstākļus.

- > Nenoveiciet gāzes avotu, kamēr šī ierīce tiek lietota.
- > Pēc lietošanas vai uzglabāšanas laikā gāzes avots ir jāatvieno no šīs ierīces.

4 Gāzes noplūdes

Gāzes noplūdes no bojātām šļūtenēm vai nepareiziem savienojumiem var radīt bīstamus apstākļus un jānovērš nekavējoties. Ir svarīgi, lai visi gāzes savienojumi būtu pareizi uzstādīti, lai novērstu gāzes noplūdi.



BĪSTAMI! Sprādzienbīstamība

- > Ja sajūtat gāzes smaku, nekavējoties izslēdziet gāzi ar gāzes balona vārstu, kā arī pie ierīces, pagriežot vadības pogu pulksteņrādītāju kustības virzienā līdz IZSLĒGŠANAS pozīcijai.
- > Nodzēsiet jebkuru atklātu liesmu
- > Pārvietojiet ierīci uz vietu, kur nav liesmu, un veiciet gāzes noplūdes testu. Šis tests jāveic ārpus telpām vietā ar labu ventilāciju, kas neatrodas atklātas liesmas vai aizdegšanās avotu tuvumā.
- > Nekad neizmantojiet atklātas liesmas avotu, lai meklētu gāzes noplūdes; izmantojiet tam ziepjūdeni.

Kā veikt gāzes noplūdes testu?

Gāzes noplūdes tests jāveic katru reizi, kad ierīcei un gāzes avotam tiek uzlikta šļūtene un regulators, un katru reizi, kad tiek mainīts gāzes avots.



BĪSTAMI! Gāzes noplūdes nekonstatēšana un nekontrolēšana var izraisīt traumu vai bojāeju.

- > Lai veiktu gāzes noplūdes testu, pārklājiet ar ziepjūdeni visas gāzes šļūtenes savienojuma vietas, t.i., gāzes šļūtenes un ierīces savienojumu un regulatora un gāzes avota savienojumu.
- > Lēni atveriet gāzes balona vārstu, lai nodrošinātu gāzes plūsmu.
- > Ja burbuļi veidojas jebkurā savienojuma vietā, tad notiek gāzes noplūde.
- > Nekavējoties izslēdziet gāzi un atvienojiet gāzes avotu no ierīces. Pārļiecinieties, vai visas blīves ir savā vietā un labā stāvoklī.

Nomainiet visas blīves, kurām ir bojājumu pazīmes.

- > Atkārtoti pievienojiet gāzes avotu ierīcei un vēlreiz veiciet gāzes noplūdes testu.
- > Ja vēl arvien notiek gāzes noplūde, nogādājiet produktu pie pilnvarota remonta pārstāvja, lai saņemtu palīdzību.

Liesmas stabilitāte

Lietojot ierīci, nodrošiniet liesmas stabilitāti.



BRĪDINĀJUMS! Nekontrolēta liesmas ievilkšana atpakaļ (liesmas sadegšana degļa vai sprauslas korpusa iekšpusē) var radīt bīstamus ekspluatācijas apstākļus.

- > Ja notiek liesmas ievilkšana atpakaļ, nekavējoties izslēdziet gāzes avotu, vispirms aizverot gāzes balona vārstu un pēc tam pagriežot ierīces vadības pogu IZSLĒGŠANAS pozīcijā. Pēc liesmas nodzišanas noņemiet regulatoru un pārbaudiet blīves stāvokli; ja nepieciešams, nomainiet to.
- > Atkārtoti pievienojiet gāzes avotu un vēlreiz piešķiliet ierīces degli.
- > Ja nepārtraukti notiek liesmas ievilkšana atpakaļ, nogādājiet produktu pie pilnvarota remonta pārstāvja, lai veiktu novērtējumu.

5 Komponentu saraksts

att. 2 lpp. 3

Detaja	Apraksts
①	Domed lid / Pot
②	Barbecue griddle
③	Flat griddle
④	Pan support
⑤	Drip pan
⑥	Burner
⑦	Control knob
⑧	Igniter
⑨	Quick release connection
⑩	Flat lid
⑪	BBQ 2 Plancha 30

Detaja	Apraksts
⑫	Paella Pan 30

Modeļu komponenti

Šī klāsta modeļu kombinācijas ir šādas:

	6545-10	6545-20	6545-25
1	X	X	X
2	X	X	X
3	X		X
4	X	X	X
5	X	X	X
6	X	X	X
7	X	X	X
8	X	X	X
9			X
10			X
11			
12			

6 Ierīces montāža

att. 3 lpp. 4



BRĪDINĀJUMS! Vispārīga drošība

Kājas ir nosprīgotas ar atsperi. Kāju atvēršana un aizvēršana ir jāveic kontrolētā veidā, lai izvairītos no traumas vai ierīces sabojāšanas.

Lai atlocītu kājas

- Izņemiet no ierīces visas nepiestiprinātās daļas. Pagrieziet ierīci otrādi, un paceliet katru kāju atsevišķi. Kad kāja būs novietota pareizi, atskanēs klikšķis.

Lai nolocītu kājas

- Droši turiet kāju un nospiediet uz leju fiksatoru (M), lai atbrīvotu kāju. Bīdīet kājas uz iekšu līdz aizvērtai pozīcijai. Tas jā dara secīgi, lai optimizētu to novietošanas vietas izmantošanu; jāsāk ar priekšējo kreiso kāju (1), jāturpina ar priekšējo labo kāju (2) un visbeidzot ar aizmugurējo kāju (3).

Pievienošana gāzes avotam

att. 4 lpp. 4

	A	B	C
LV	Regulators	Blīve	Vadības vārsts

- Pirms ierīces pievienošanas gāzes avotam pārliecinieties, vai regulatora gumijas blīve atrodas pareizajā vietā un ir labā stāvoklī.
- Pirms apstiprinātās šļūtenes un regulatora pievienošanas ierīcei pārbaudiet, vai ierīces vadības poga atrodas IZSLĒGŠANAS pozīcijā “●”.
- Lai novērstu inžektora iespējamo bloķēšanu, izpūstiet putekļus no gāzes avota atveres.
- Pārliecinieties, ka gāzes avots ir uzstādīts vietā ar labu ventilāciju, kas neatrodas citu cilvēku un neviena aizdegšanās avota, piemēram, atklātas liesmas, tuvumā.
- Nesmēķējiet gāzes avota pievienošanas vai nomainīšanas laikā.
- Pārliecinieties, vai gāzes balons vienmēr atrodas vertikāli. Pievienojiet regulatoru gāzes balonam un pievelciet ar roku, lai nostiprinātu savienojumu.

Šļūtenes pievienošana ierīcei

att. 5 lpp. 5

- Pievienojiet šļūteni ierīcei. Pievelciet, lai nostiprinātu savienojumu. Nesamezglājiet un nesaspiediet šļūteni. Parūpējieties, lai tā ir novietota virzienā prom no gāzes iekārtas korpusa, tā novēršot šļūtenes kvalitātes pasliktināšanos / bojājumu karstuma iedarbības rezultātā.
- Pārliecinieties, ka ir pilnīgi noslēgta gāzes padeve, veicot gāzes noplūdes testu, kā aprakstīts nodaļā Gāzes noplūdes. Ja nevarat novērst gāzes noplūdi, neizmantojiet šo ierīci. Ja jums ir šaubas, sazinieties ar tuvāko piegādātāju.
- Veiciet visas šīs drošības pārbaudes katru reizi, kad pievienojat ierīci gāzes avotam.

Gāzes avota atvienošana un nomainīšana

- Pēc lietošanas pagrieziet ierīces vadības pogu IZSLĒGŠANAS pozīcijā “●” un noslēdziet gāzes avotu.
- Ja nepieciešams nomainīt tukšo cilindru, pārliecinieties, vai gāzes cilindra gāzes vārsts ir aizvērts.
- Ņemiet regulatoru no tukšā cilindra un uzlieciet un pilnā cilindra. Skatiet iepriekš sniegtos norādījumus par to, kā pievienot gāzes avotu.
- Izpildiet tādas pašas kopšanas un pārbaudes procedūras kā tad, kad tiek uzlikts jauns gāzes balons.

Kā pārbaudīt, vai gāzes balons ir tukšs?

- > Tukša gāzes balona svars parasti ir iespiests uz tā kakliņa vai pamatnes gredzena. Balona nosvēršana ļauj noskaidrot tajā esošo gāzes daudzumu. Ja svars atbilst iespiestajam svaram, cilindrs ir tukšs. Pašreizējā svara un iespiestā svara atšķirība norāda atlikušo gāzes daudzumu.

7 Ierīces izmantošana

- > Pirms pirmās lietošanas reizes pārļiecinieties, ka no ierīces ir noņemts viss aizsargiepakojums un plastmasa.
- > Pirms katras lietošanas reizes pārļiecinieties, ka visas detaļas ir labā darba kārtībā. Katru reizi, kad gāzes avots tiek pievienots vai nomainīts, veiciet gāzes noplūdes testu, kā aprakstīts nodaļā Gāzes noplūdes.
- > Pēc ilgstošas uzglabāšanas pārbaudiet, vai ierīcē nav kukaiņu, grūžu un zirnekļu tīklu, kas var ietekmēt gāzes plūsmu.
- > Izmantojiet šo ierīci tikai uz cietas, horizontālas virsmas.
- > Nepārvietojiet šo ierīci tās izmantošanas laikā. Tā ir nedroša prakse un var izraisīt gāzes sadegšanu degļa iekšpusē.
- > Piešķiļot uguni ierīces deglim, noņemiet visas ēdiena gatavošanas virsmas.
- > Izmantojiet ēdiena gatavošanas traukus tikai ar diametru no 150 mm līdz 300 mm.

Uguns piešķilšana ierīces deglim ar aizdedzes pogu

att. 6 lpp. 5

- > Lai aizdedzinātu gāzes degli, nospiediet un pagrieziet vadības slēdzi pretēji pulksteņrādītāju kustības virzienam līdz tā lielākajam iestatījumam, vienlaikus nospiežot aizdedzes pogu.
- > Ja gāze neaizdegas ar pirmo dzirksteli, pagrieziet vadības slēdzi atpakaļ IZSLĒGŠANAS pozīcijā "•" un tikai pēc tam mēģiniet atkārtot aizdedzināšanu.
- > Ja gāze nav uzliespojusi pirmo divu līdz trīs sekunžu laikā, jums jāaizver vadības vārsts, pagriezot vadības pogu atpakaļ tās IZSLĒGŠANAS pozīcijā "•".
- > Pagaidiet aptuveni 30 s, lai ļautu deglim esošajai gāzei izplūst. Ja nepieciešams, atkātojiet iepriekš aprakstīto procesu, līdz parādās liesma. Liesmai parasti vajadzētu parādīties pirmo pāris sekunžu laikā.

Uguns piešķilšana ierīces deglim ar grila šķiltavām

- > Ja notiek uguns piešķilšana aukstai ierīcei, to var izdarīt no degļa augšpusē pirms vēlamās ēdiena gatavošanas virsmas uzlikšanas.
- > Ja notiek uguns piešķilšana karstai ierīcei, to var izdarīt, iebāžot grila šķiltavas pa vienu no zem degļa esošajām ventilācijas atverēm, līdz tās atrodas vienā līmenī ar degli. NEIEVIETOJĒT grila šķiltavas lielajā caurumā, kas atrodas tieši zem degļa.
- > Kad grila šķiltavas ir novietotas vietā, aizdedziniet šķiltavas pirms iebīdīšanas iekšā un vadības pogas pagriešanas pretēji pulksteņrādītāju kustības virzienam, lai aizdedzinātu gāzes degli.



PIEZĪME

- Kad ierīce ir ieslēgta, noregulējiet liesmas intensitāti, pagriežot vadības pogu pulksteņrādītāju kustības virzienā, lai samazinātu liesmu, un pretēji pulksteņrādītāju kustības virzienam, lai palielinātu liesmu.
- Ja tiek gatavots ēdiens ar augstu tauku saturu, var notikt gāzes sadegšana deglī tad, kad izvēlētais karstuma iestatījums ir pārāk liels. Ja tā notiek, samaziniet karstumu, līdz vairs nenotiek liesmas sadegšana deglī.
- Pēc lietošanas pārļiecinieties, vai ierīces vadības poga atrodas IZSLĒGŠANAS pozīcijā "•" un vai liesma ir nodzisisusi pirms gāzes avota noņemšanas.

8 GreenGrill ēdiena gatavošanas virsmas

Lielākā daļa CADAC | Dometic ēdiena gatavošanas virsmām ir GreenGrill nepiedegošais keramikas pārklājums, kas nesatur perfluoroktānskābi un nav toksisks, ļaujot veselīgāk gatavot ēdienu.

Lai sagatavotu ēdiena gatavošanas virsmu

Pirms pirmās lietošanas ieteicams sagatavot ēdiena gatavošanas virsmu, lai novērstu ēdiena pieliņšānu.

- > Uzklājiet plānu cepamās eļļas kārtiņu uz visas ēdiena gatavošanas virsmas un karsējiet to vidējā siltumā 2-3 minūtes.
- > Ļaujiet ēdiena gatavošanas virsmai atdzist un pēc tam nomazgājiet to ar siltu ziepjūdeni.
- > Atkārtoti uzklājiet plānu eļļas kārtiņu uz ēdiena gatavošanas virsmas. Tagad tā ir gatava lietošanai.

Ēdiena gatavošanas virsmas tīrīšana

- > Pirms iegremdēšanas ūdenī vienmēr ļaujiet ēdiena gatavošanas virsmām pilnībā atdzist.
- > Notīriet ēdiena gatavošanas virsmu ar siltu ziepjūdeni un mikstu sūklīti. Izvairieties no kasikļu lietošanas.
- > Lai atmieksķētu grūti notīrāmus traipus vai paliekas, pirms mazgāšanas dažas minūtes pamērcējiet ēdiena gatavošanas virsmu siltā ūdenī.

Apkope

- > Pēc tīrīšanas un pirms novietošanas uzglabāšanai mēs iesakām uzklāt nelielu daudzumu eļļas uz ēdiena gatavošanas virsmas, lai aizsargātu virsmu pret gaisu un mitrumu.
- > Lielākā daļa ēdiena gatavošanas virsmu tiek piegādātas ar ērtu uzglabāšanas maisu. Pirms ievietošanas uzglabāšanas maisā ievietojiet ieeļļoto ēdiena gatavošanas virsmu plastmasas maisiņā, lai maiss būtu tīrs un netiktu nosmērēts.

Ēdiena gatavošanas metodes

- > Grilēšana: Barbekjū grils ir ideāli piemērots vistas, gaļas, zivju vai dārzeņu grilēšanai bez taukiem.
- > Cepšana pannā: Plakanā grilēšanas plāksne ir ideāli piemērots cepšanai, ēdienu regulāri maisot, zivīm, bekonam, olām un dārzeņiem, kā arī pankūku pagatavošanai.
- > Vārīšana: Mērču vai rīsu un makaronu gatavošana ir vienkārša, izmantojot piemērotu katlu vai pannu, kas novietots uz pannas balsta. Izvairieties lietot traukus ar plastmasas rokturiem, jo tie var ēdiena gatavošanas laikā sakarst un sākt kust.

Papildu piederumi

- > Profesionāls picas akmens: Ideāli piemērots picu, plakanmaizes utt. pagatavošanai. Nepieciešama kupola izmantošana, lai izveidotu "krāsni" cepšanai.
- > Paeljas panna: Paeljas panna ir izgatavota no augstas kvalitātes presēta alumīnija vienmērigai siltuma sadalei un ideāli piemērota paelju, risoto, makaronu ēdienu, tradicionālo brokastu utt. pagatavošanai.
- > Kafijkanas statīvs: Nodrošina lielisku platformu kafijas perkolatoram vai kannai.



PIEZĪME

- GreenGrill pārklājums labāk vada siltumu labāk nekā parastie (PTFE) nepiedeģošie pārklājumi. Tāpēc mēs iesakām izmantot tikai 75 % no parastā jaudas iestatījuma.
- Lai izvairītos no ēdiena gatavošanas virsmas bojājumiem, nekad neatstājiet to uz siltuma avota bez eļļas kārtiņas.
- Mēs iesakām cept ar saulespuķu vai rapšu eļļu, jo šīm eļļām ir augsta sadegšanas temperatūra. Oliveļļas lietošana nav ieteicama, jo tās sadegšanas temperatūra ir zemāka, un tas var izraisīt sastāvdaļu pielipšanu vai piedegšanu. Ieteikums. Lai novērstu pielipšanu, pirms cepšanas nodrošiniet, lai gaļa vai zivis būtu istabas temperatūrā.
- CADAC | Dometic Soft Soak un Soft Soak Brush (nopērkami atsevišķi) ir ideāli tīrīšanas līdzekļi GreenGrill ēdiena gatavošanas virsmām, kas palīdz izmērcēt un notīrīt grūti notīrāmas pārtikas atliekas.

9 Ierīces tīrīšana

- > Lai pagarinātu ierīces kalpošanas laiku, pēc katras lietošanas reizes to labi notīriet.
- > Pirms ierīces tīrīšanas ļaujiet tai atdzist.
- > Lai notīrītu ierīces korpusu, vienkārši noslaukiet to ar mitru drānu un pēc vajadzības izmantojiet nelielu daudzumu mazgāšanas līdzekļa.
- > Neiegremdējiet ierīci ūdenī, jo tas var sabojāt degļa cauruli, izraisot ierīces darbības traucējumus.
- > Turiet ūdeni vietā, kas neatrodas degļu un kontroliesmas zonas tuvumā. Pirms lietošanas pilnībā izžāvējiet ierīci.
- > Nelietojiet abrazīvus tīrīšanas līdzekļus, jo tie var sabojāt virsmas.
- > Ierīces tīrīšanai neizmantojiet augstspiediena tvaika ierīci vai ūdens strūklu.



PIEZĪME

Grūti notīrāmiem traipiem var izmantot CADAC cepeškrāsns tīrīšanas līdzekli.

10 Uzglabāšana

- > Pirms uzglabāšanas ļaujiet ierīcei atdzist un labi notīriet.
- > Pirms atvietošanas no ierīces pārliecinieties, ka gāzes padeve ir izslēgta.

- > Nekad nenovietojiet uzglabāšanai ierīci, kurai ir pievienots gāzes avots, jo tas nav droši.
- > Uzglabājiet ierīci un gāzes avotu kādā vietā ar labu ventilāciju, kas neatrodas ugunsnedrošu objektu tuvumā. Vēlams uzglabāt balonus ārā, un nekad tos nedrīkst uzglabāt pagrabā vai garāžā.

11 Apkope un problēmu novēršana

- > Regulāra tīrīšana un apkope pagarina ierīces kalpošanas laiku un samazina problēmu iespējamību.
- > Lai nodrošinātu efektīvu darbību, mēs iesakām ik pēc 12 mēnešiem lūgt, lai ierīces apkopi veic servisa aģents.
- > Šīs ierīces apkopi drīkst veikt tikai pilnvarota persona.
- > Regulāri pārbaudiet visus savienojumus, skatoties, vai nenotiek noplūde no neviena savienojuma, un dariet to katru reizi, kad gāzes balons tiek uzpildīts vai pievienots.
- > Izīrīriet degļa atveres, ja uz tām kaut kas uzšļakstījies.

Problēmu novēršana

- > Lai uzturētu efektīvu darbību, mēs iesakām ik pēc sešiem mēnešiem notīrīt vai nomainīt inžektorus.
- > Ja ierīces pēc uzglabāšanas perioda darbojas neparasti un pārbaudes nepalīdz atrast problēmu, var būt bloķēts inžektors. Uz bloķētu inžektoru norāda vājāka dzeltenīga liesma vai liesmas trūkums. Šādos gadījumos noņemiet un rūpīgi notīriet inžektoru, lai likvidētu jebkurus svešķermeņus.
- > Noņemiet inžektoru, izmantojot standarta instrumentus, un izpūtiet visus netīrumus. Varat arī iegādāties jaunus inžektorus vietējā veikalā. Nemēģiniet veikt inžektoru mehānisku tīrīšanu.

Bloķēta inžektora nomainīšana

Jūsu ierīcei ir īpaša izmēra inžektors, lai noregulētu pareizo gāzes daudzumu. Ja inžektora atvere ir bloķēta, tad var būt vāja liesma vai var nebūt liesmas. Izvairieties no inžektora tīrīšanas ar adatu vai līdzīgu instrumentu, jo tas var sabojāt inžektoru, radot ierīces drošības risku. Lai aizstātu inžektoru, rīkojieties šādi:

att. 7 lpp. 6

1. Noņemiet tauku pannu.
2. Izņemiet trīs skrūves no siltumekrāna plāksnes un noņemiet siltumekrānu.
3. Izņemiet abas degļa montāžas skrūves un noņemiet to, uzmanoties, lai nesabojātu pievienoto aizdedzes vadu.

4. Inžektora noņemšanai izmantojiet kādu piemērotu uzgriežņu atslēgu; izvairieties lietot knaibles, jo tas var sabojāt inžektoru. Ieskrūvējiet jauno inžektoru vārstā, nepievelkot to pārāk cieši, lai izvairītos no sabojāšanas.

12 Rezerves daļas

att. 8 lpp. 7



PIEZĪME Vienmēr izmantojiet oriģinālas rezerves daļas. Sazinieties ar vietējo piegādātāju, lai saņemtu palīdzību.

13 Garantija

Ir spēkā likumā noteiktais garantijas periods. Produkta bojājumu gadījumā sazinieties ar tirgotāju vai ražotāja filiāli savā valstī. (Skat. www.cadacinternational.com/support.)

Nosūtot produktu remontam garantijas ietvaros, pievienojiet šādus dokumentus:

- čeka kopiju, kurā norādīts iegādes datums;
- pretenzijas iesniegšanas iemeslu vai bojājuma aprakstu.

Ņemiet vērā, ka pašrocīgi vai neprofesionāli veikts remonts var radīt drošības riskus, un garantija var tikt anulēta.

14 Tehniskie dati

Tabula 24: Tehniskie dati

Izmantošanas valsts	BE, CH, CY, CZ, ES, FR, GB, GR, IE, IT, LT, LU, LV, PT, SK, SI		PL	BE, CY, DK, EE, FR, FI, HU, IT, LT, NL, NO, SE, SI, SK, RO, HR, TR, BG, IS, LU, MT, ZA	AT, CH, DE, SK
Ierīces kategorija	I _{3+(28-30/37)}		I _{3B/P (37)}	I _{3B/P (30)}	I _{3B/P (50)}
Atļautās gāzes	Butāns	Propāns	Butāns, propāns vai to maisījums		
Gāzes spiediens	28-30 mbar	37mbar	37mbar	28-30 mbar	50mbar
Sprauslu skaits	0.68		0.65	0.68	0.61
Nominālais patēriņš	145 g/h				
Bruto nominālā siltuma atdeve	2kW		2kW	2kW	2kW

Valstu nosaukumi un saīsinājumi

AT = Austrija	BE = Beļģija	BG = Bulgārija	CH = Šveice	CY = Kipra
CZ = Čehijas Republika	DE = Vācija	DK = Dānija	EE = Igaunija	ES = Spānija
FI = Somija	FR = Francija	GB = Apvienotā Karaliste	GR = Grieķija	HR = Horvātija
HU = Ungārija	IE = Īrija	IS = Islande	IT = Itālija	LT = Lietuva
LU = Luksemburga	LV = Latvija	MT = Malta	NL = Nīderlande	NO = Norvēģija
PL = Polija	PT = Portugāle	RO = Rumānija	SE = Zviedrija	SI = Slovēnija
SK = Slovākija	TR = Turcija			



DOMETIC MOBILE COOKING NETHERLANDS B.V.

Ratio 26
6920 RW Duiven
The Netherlands
Tel: +3126 319 7740
Email: info@cadaceurope.com

DOMETIC MOBILE COOKING UK LTD.

114 Deanfield Court, Link59 Business Park
Clitheroe, Lancashire, BB7 1QS
United Kingdom
Tel: +44 (0) 333 2000 363
Email: info@cadaceuk.com

YOUR LOCAL DEALER:
www.cadacinternational.com/support

