

Broil King®



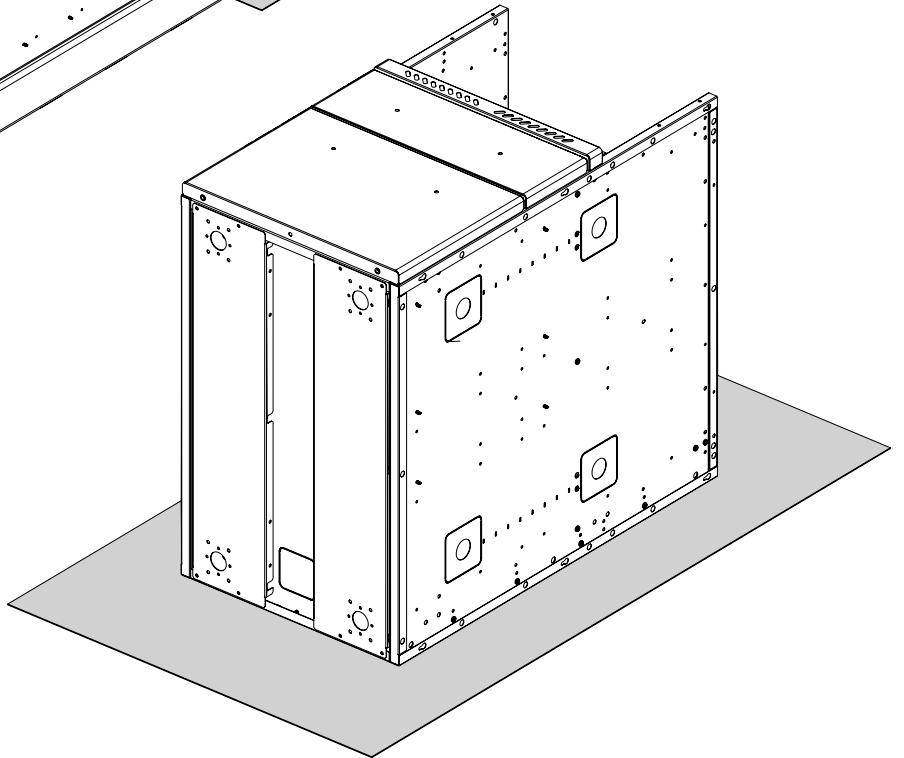
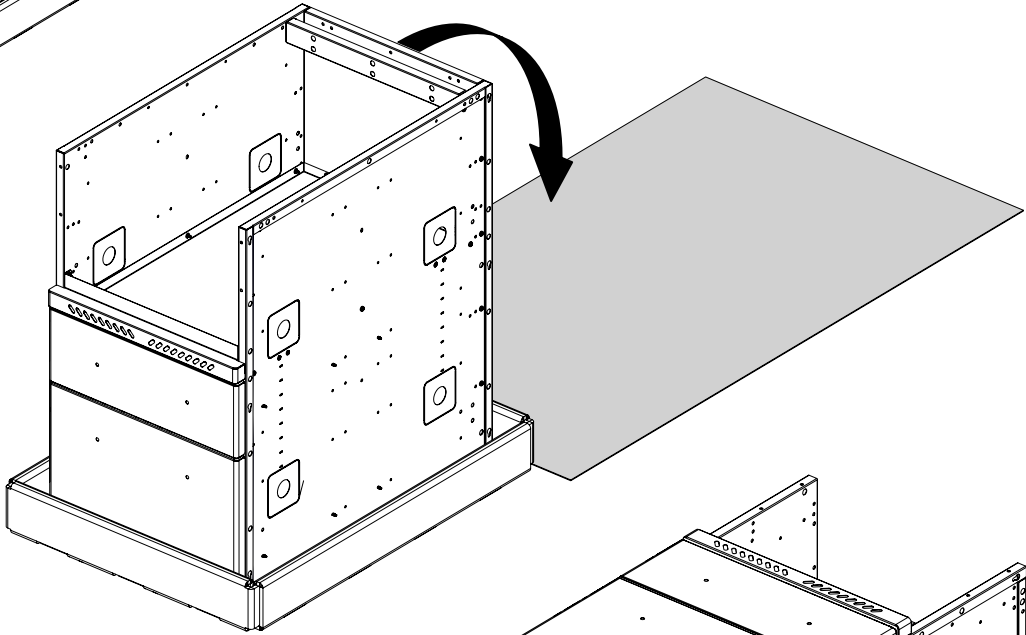
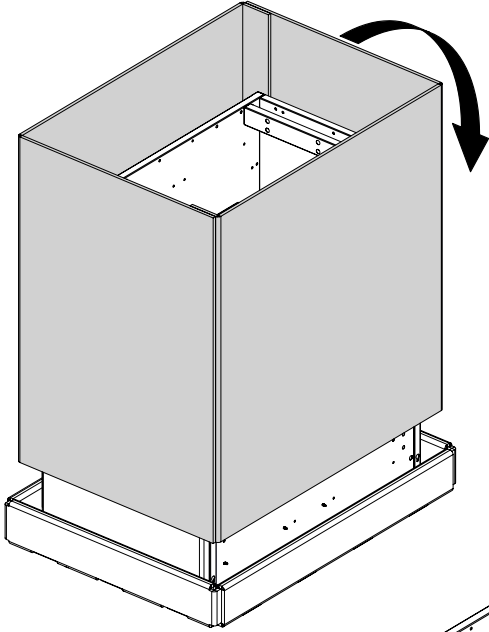
Broil King®

802400

Onward
SINCE 1906
MANUFACTURING COMPANY
585 KUMPF DRIVE LIMITED
WATERLOO, ONTARIO, CANADA
N2V 1K3

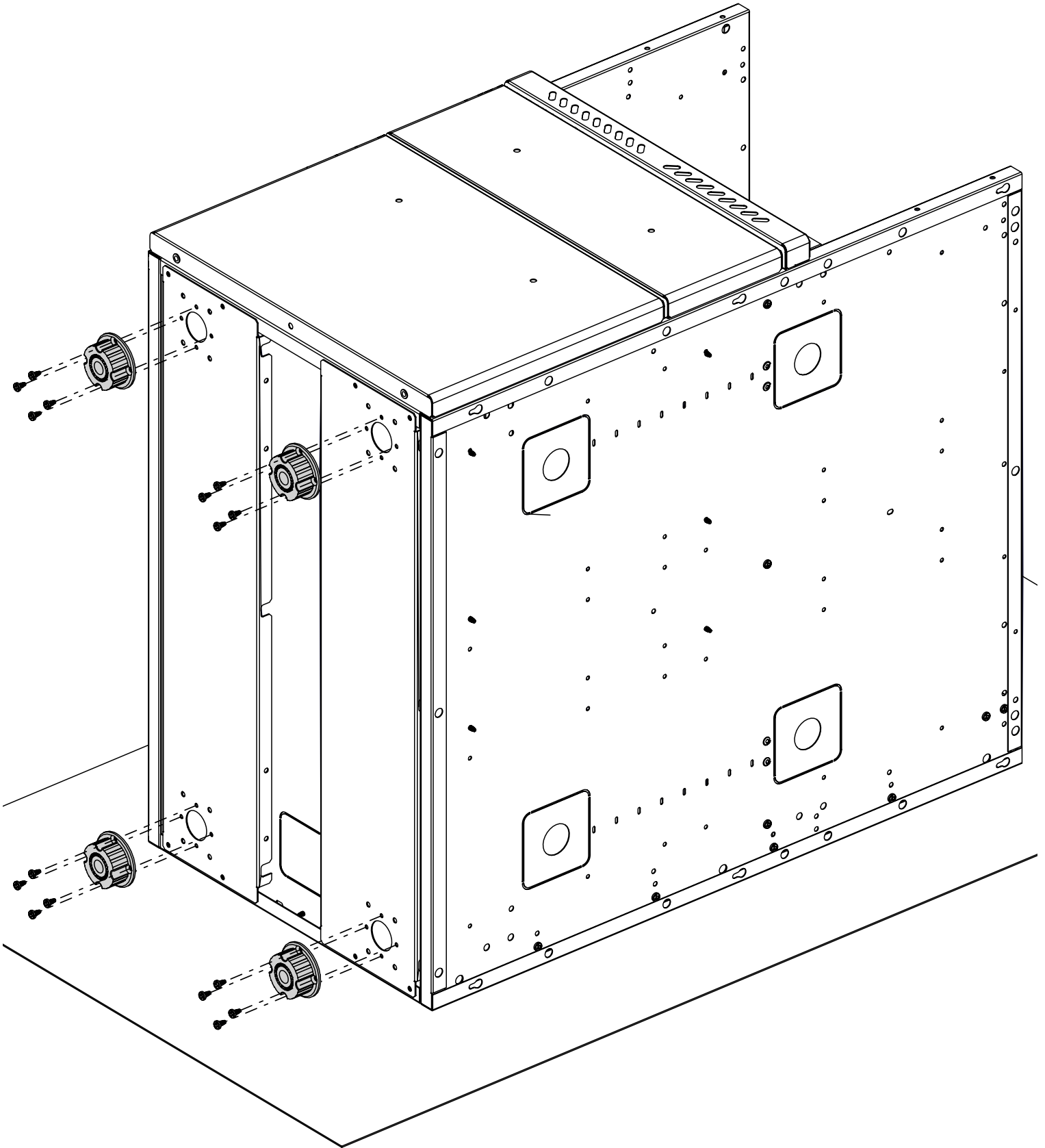
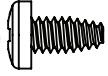
70084-E56 REV C 10/23

1

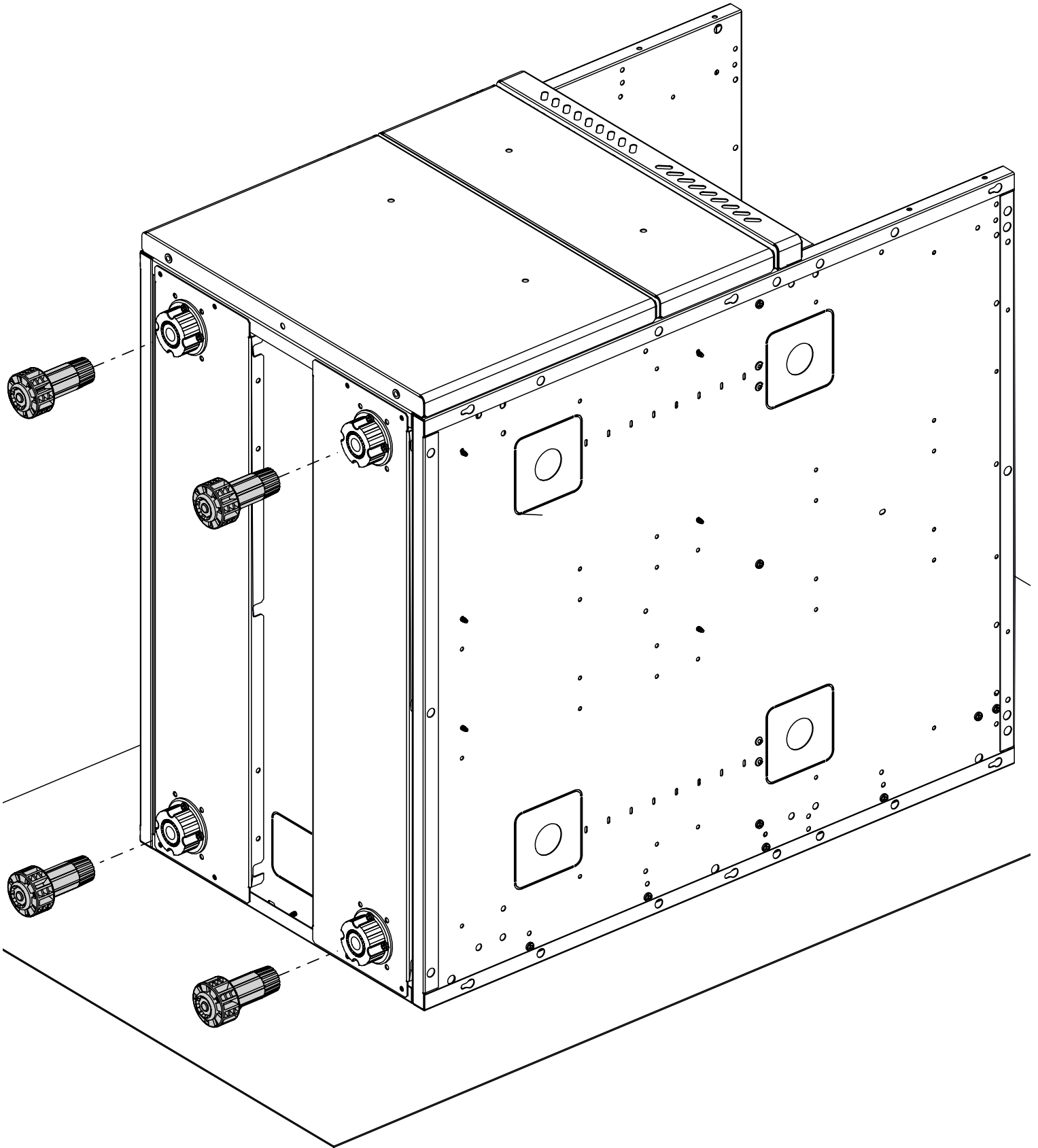


2

(16)

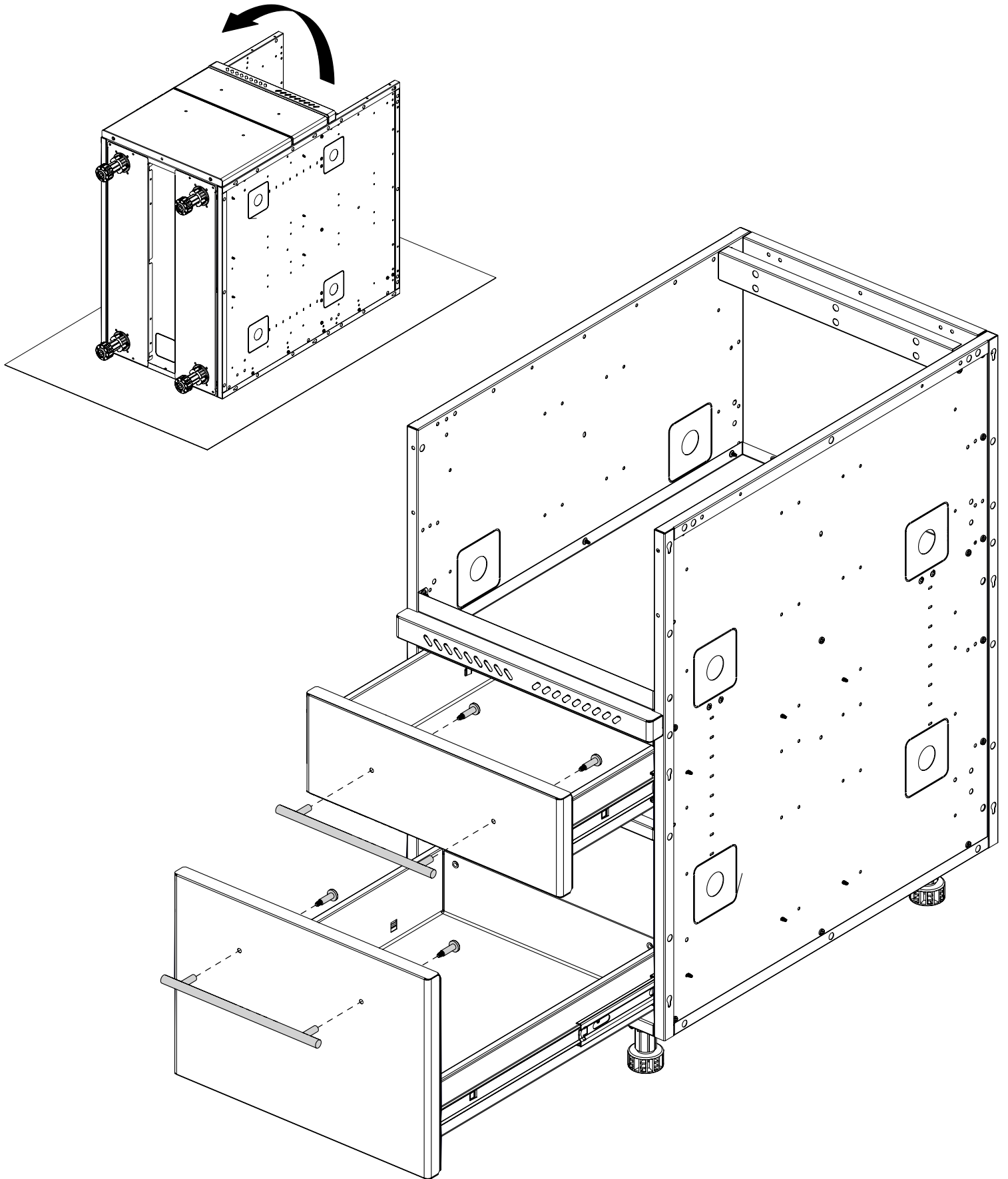
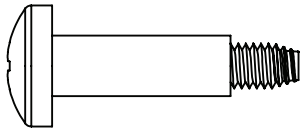


3

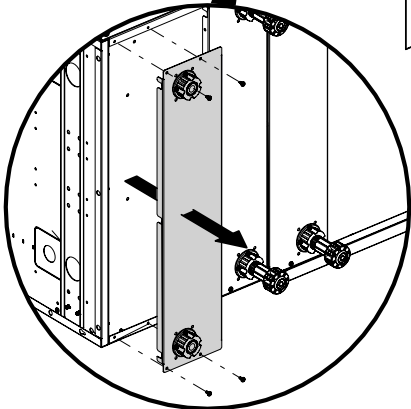
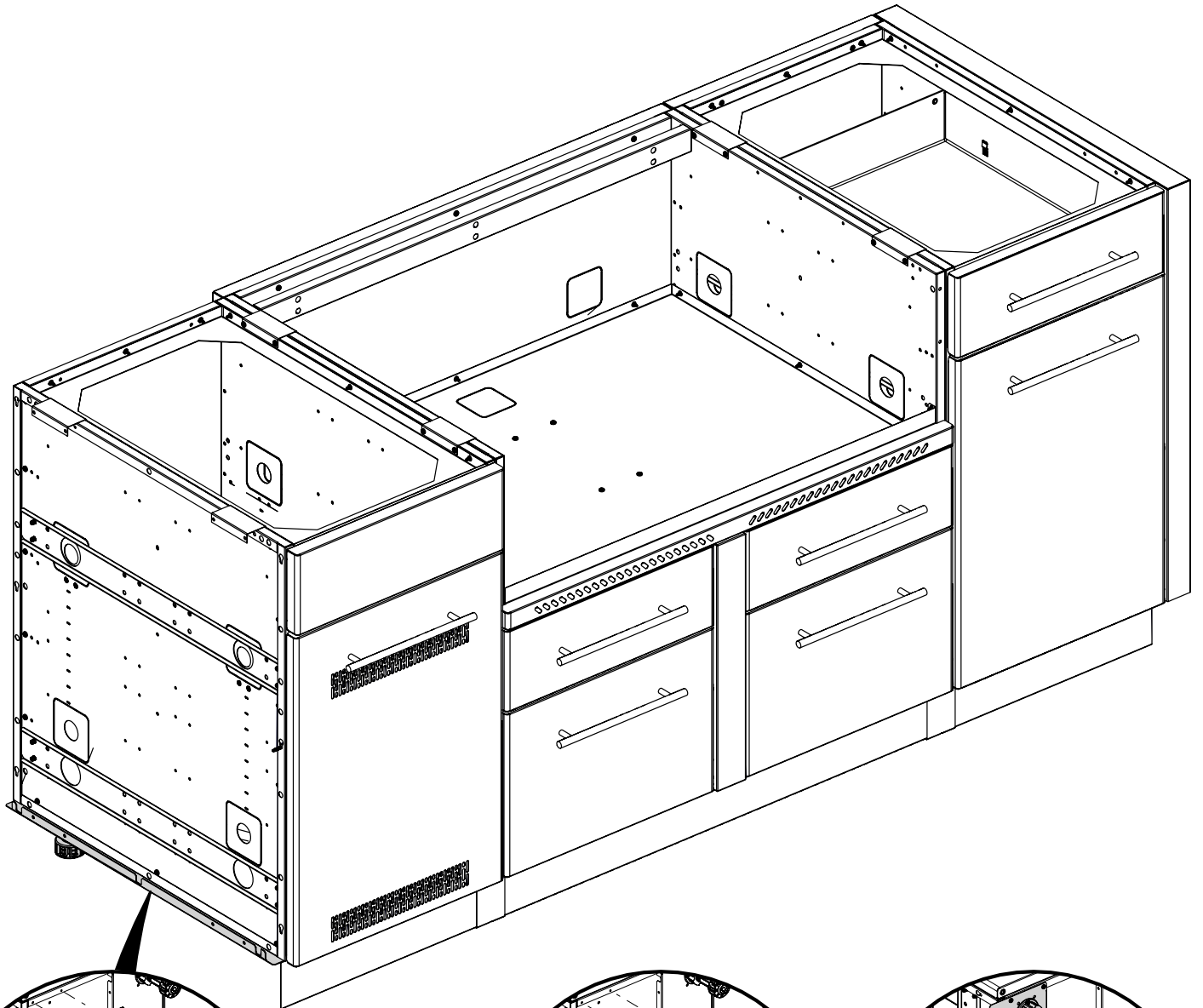


4

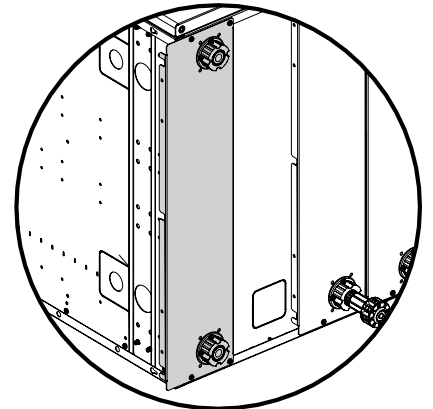
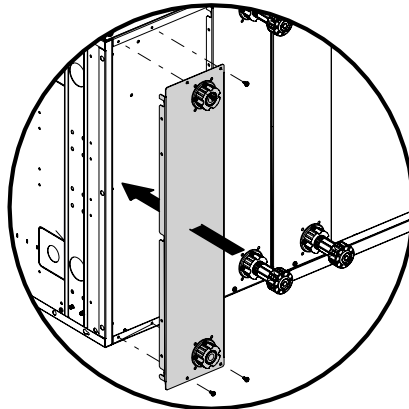
(4)



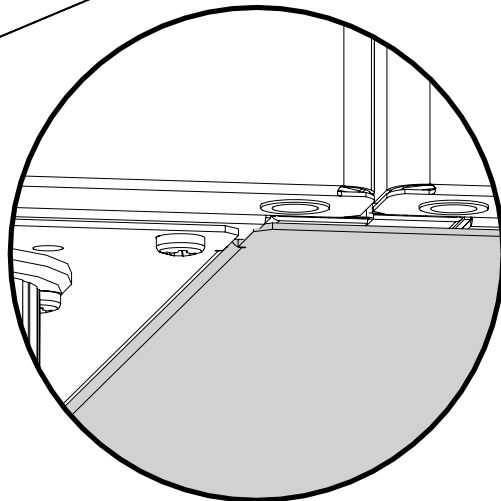
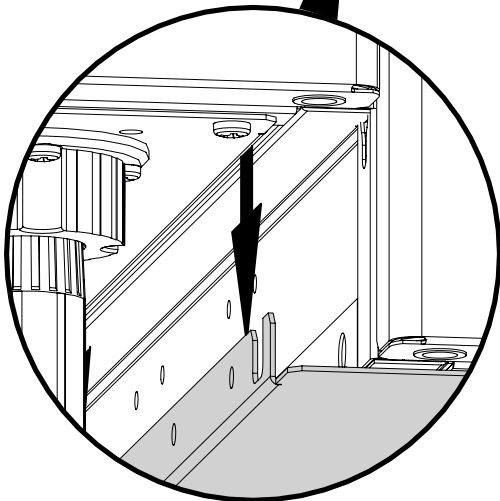
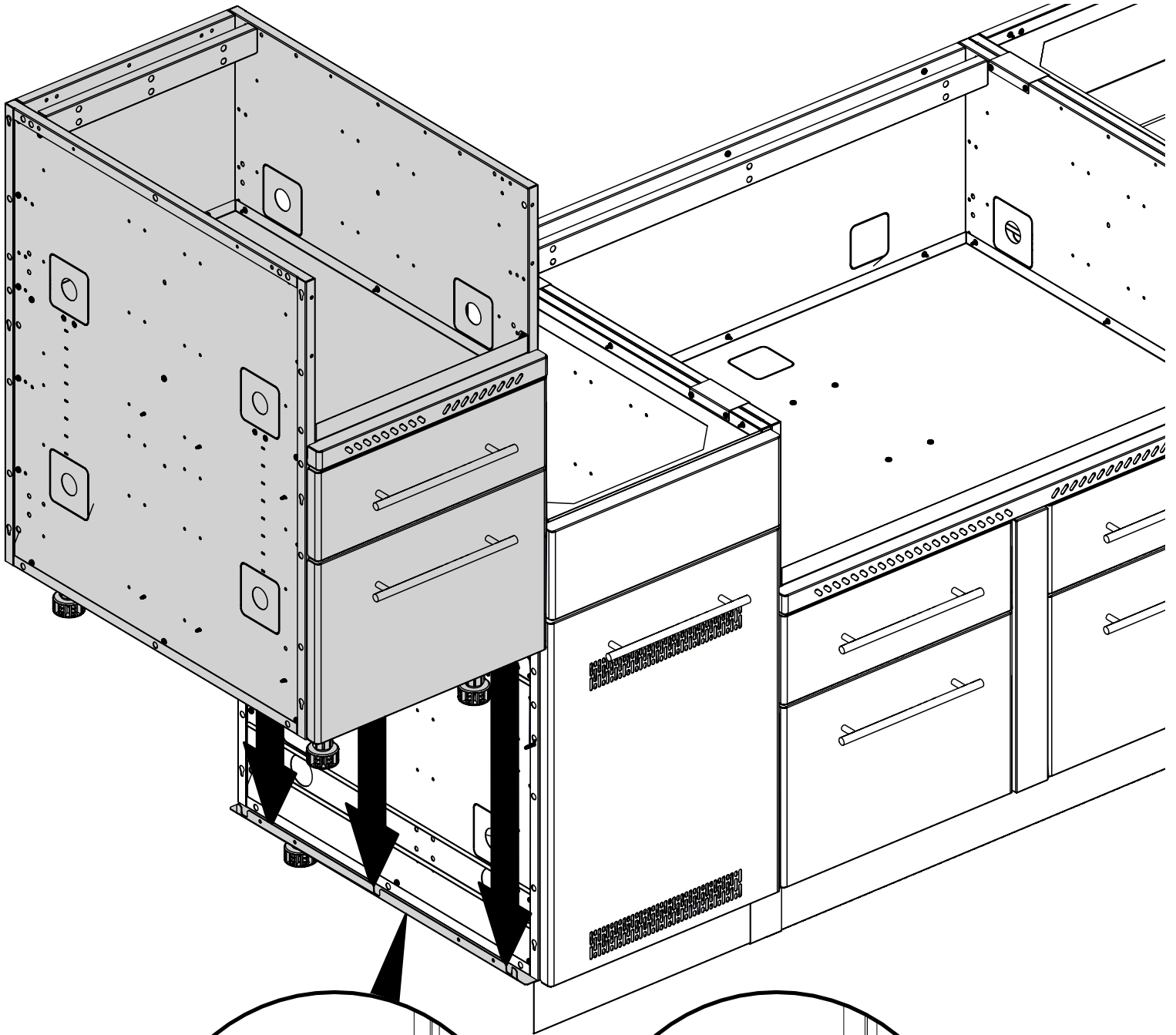
5



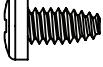
180°

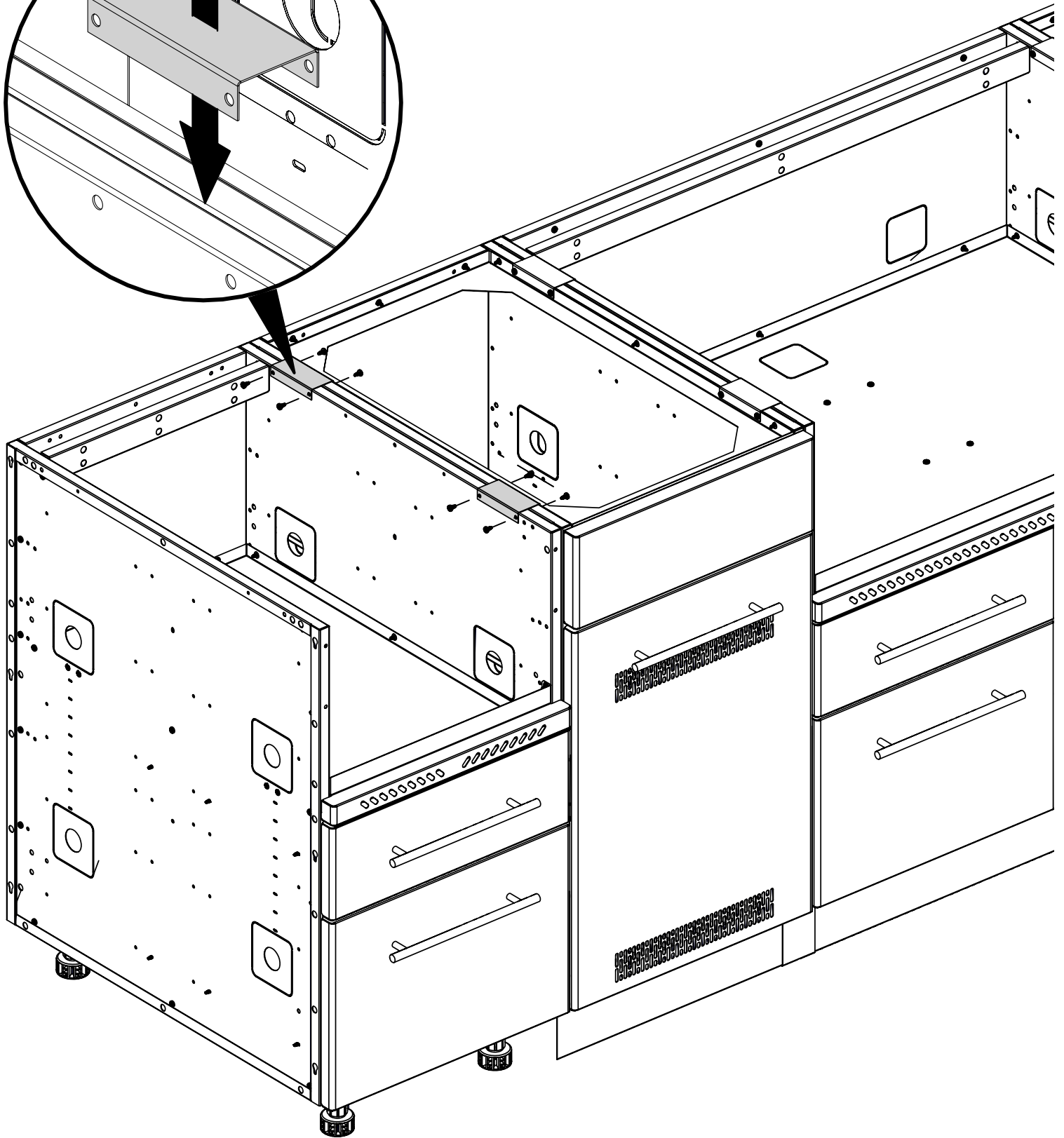
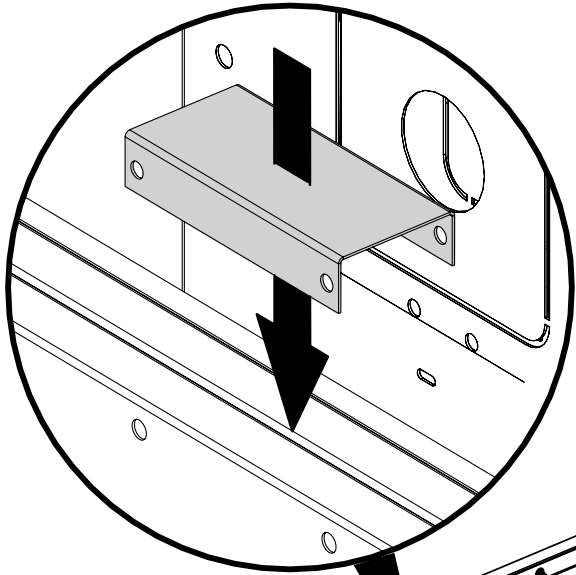


6

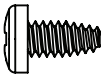


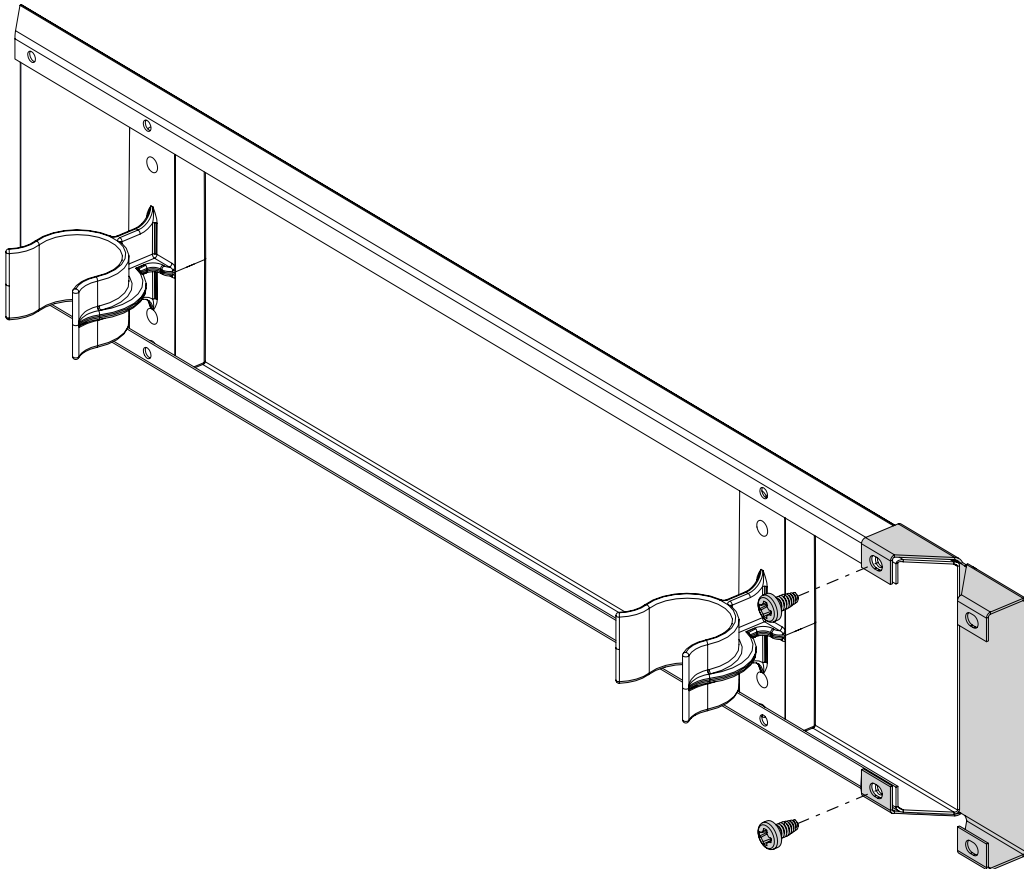
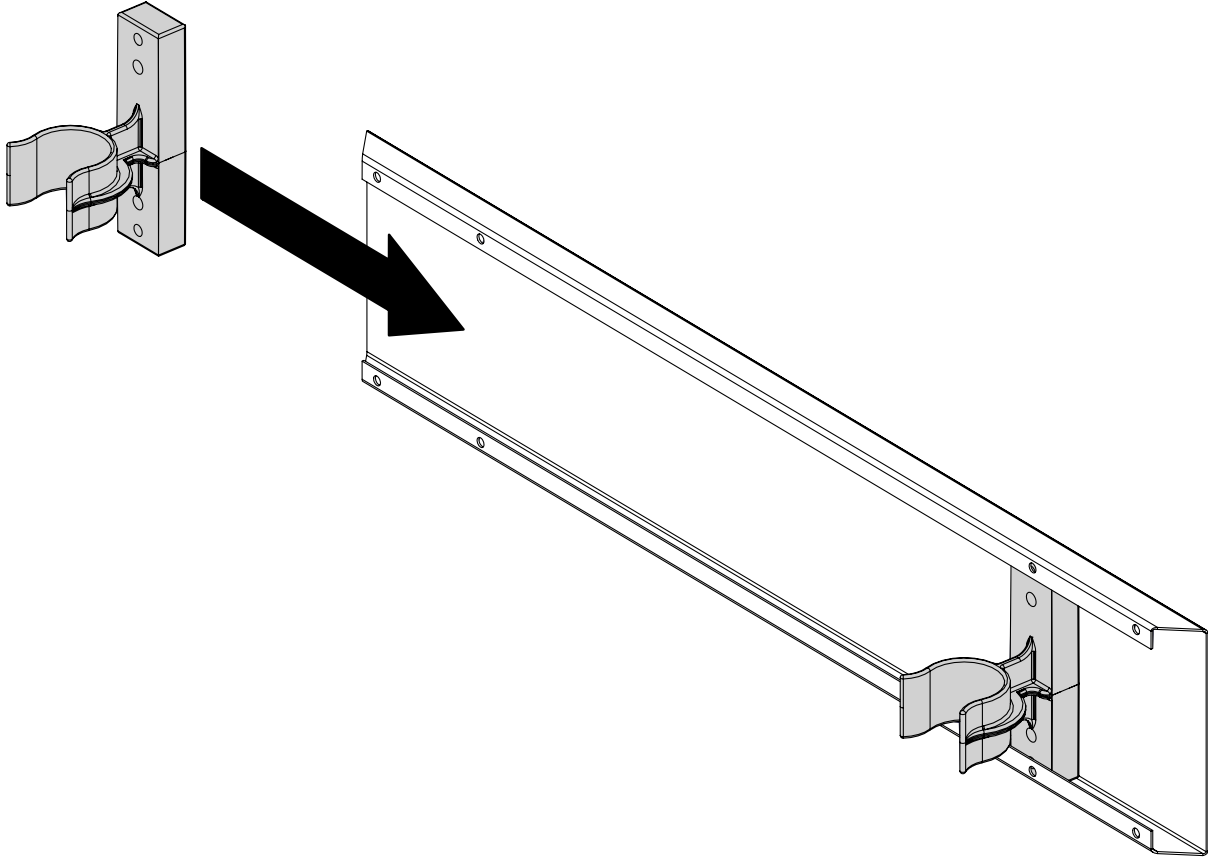
7

(8) 

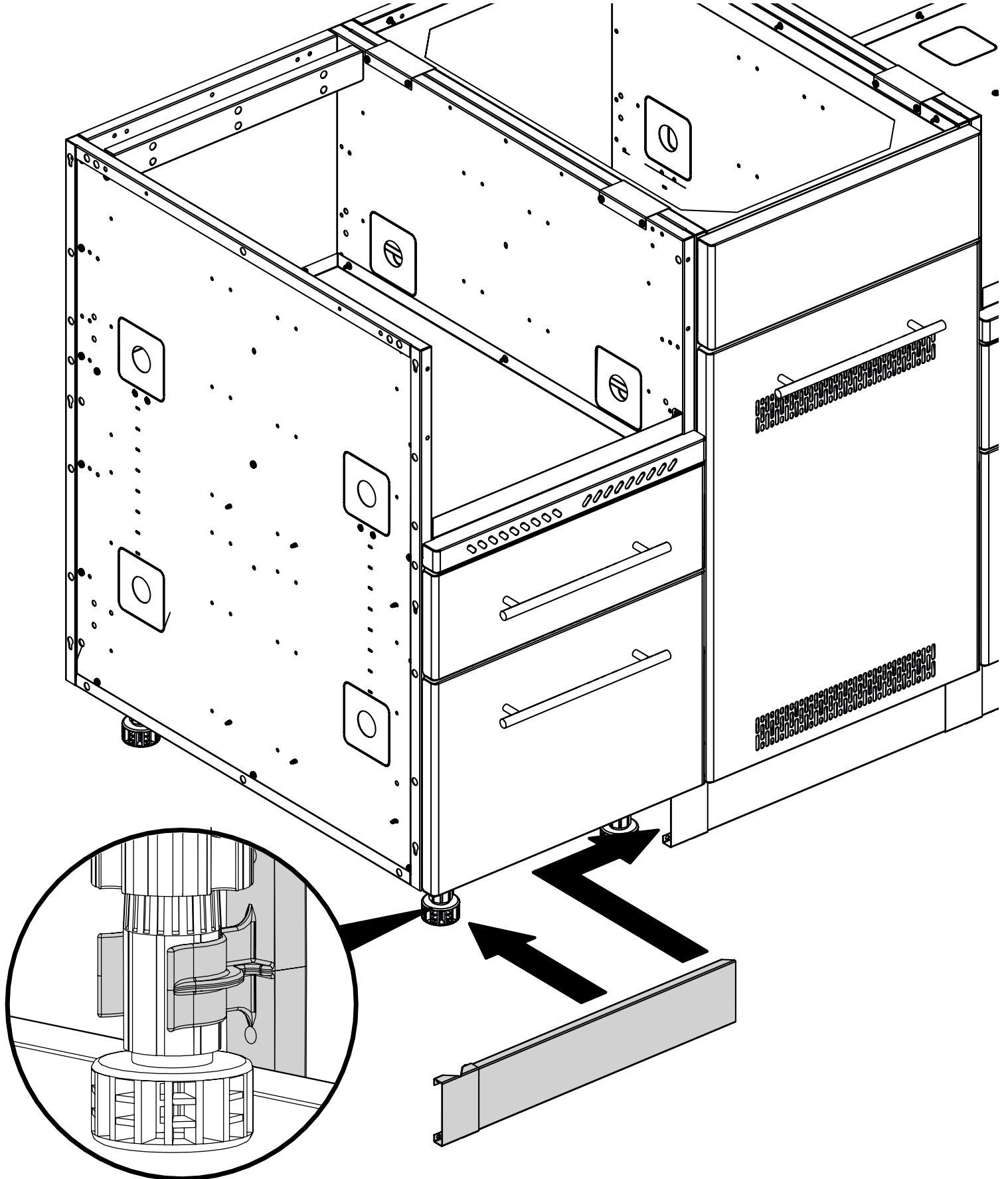


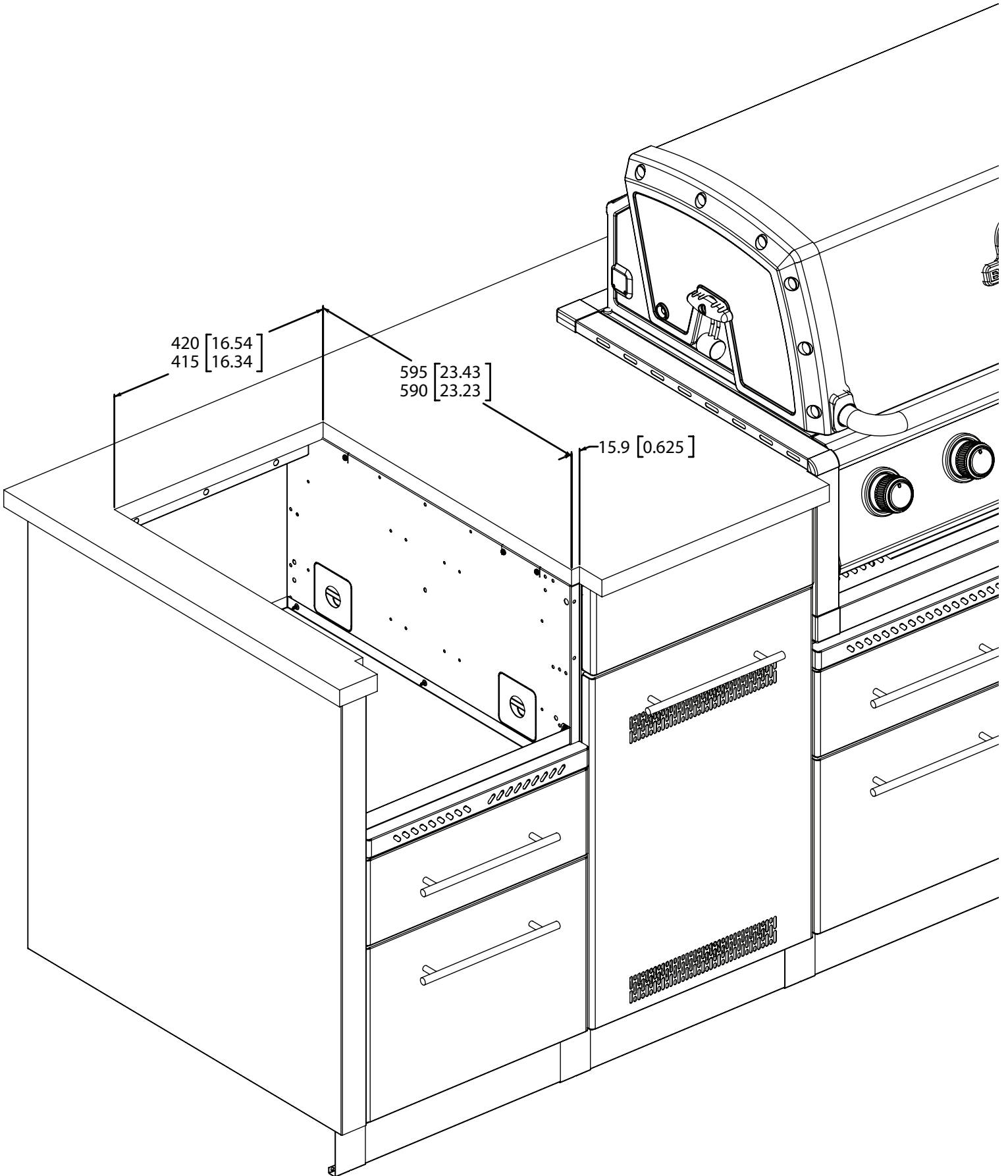
8

(2) 

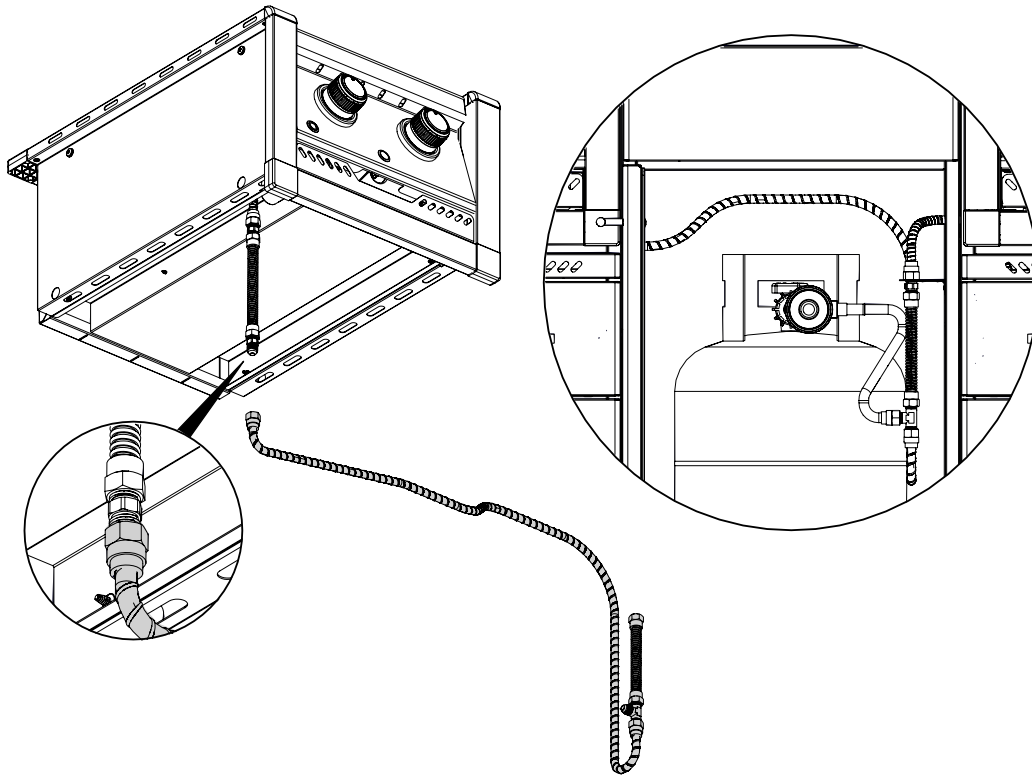


9

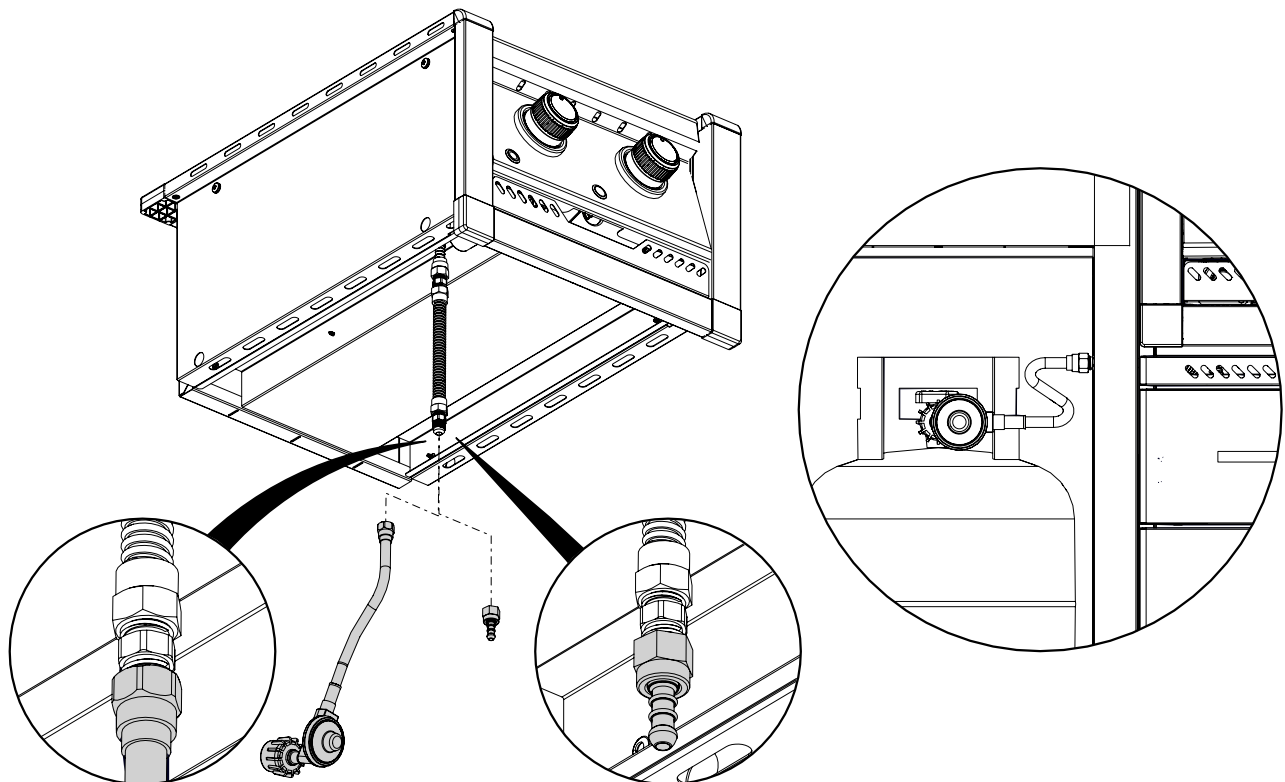




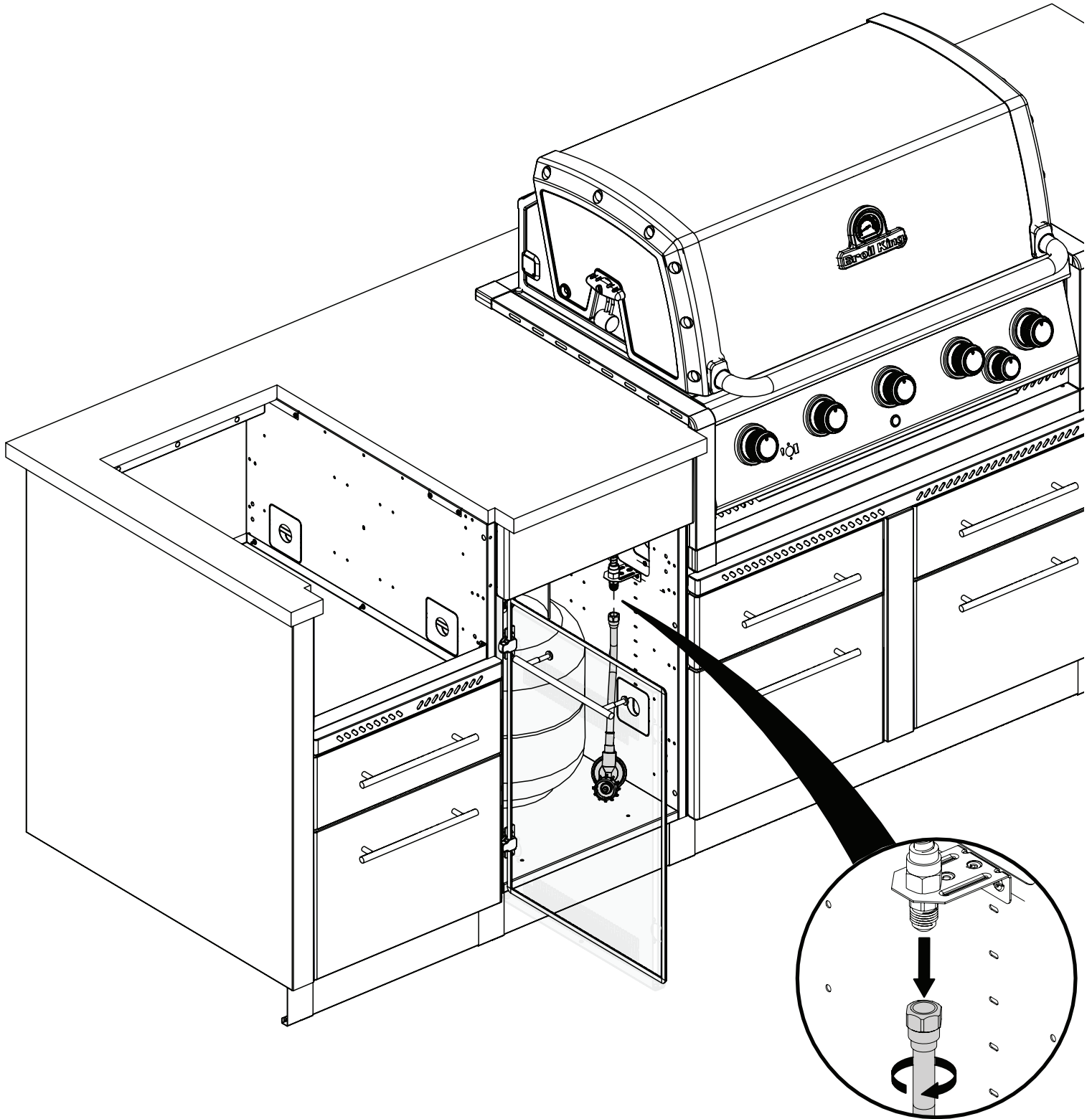
11a

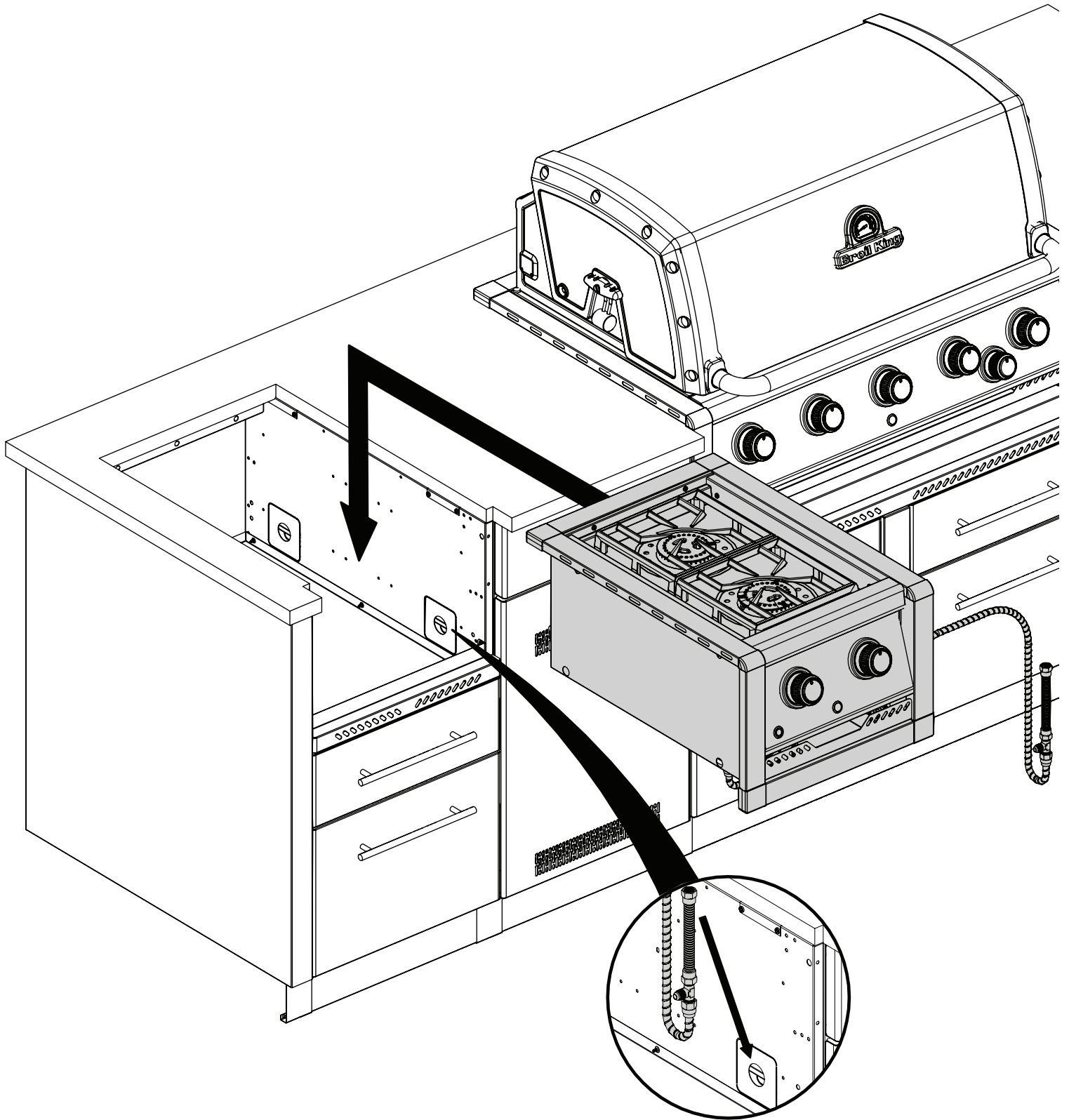


11b

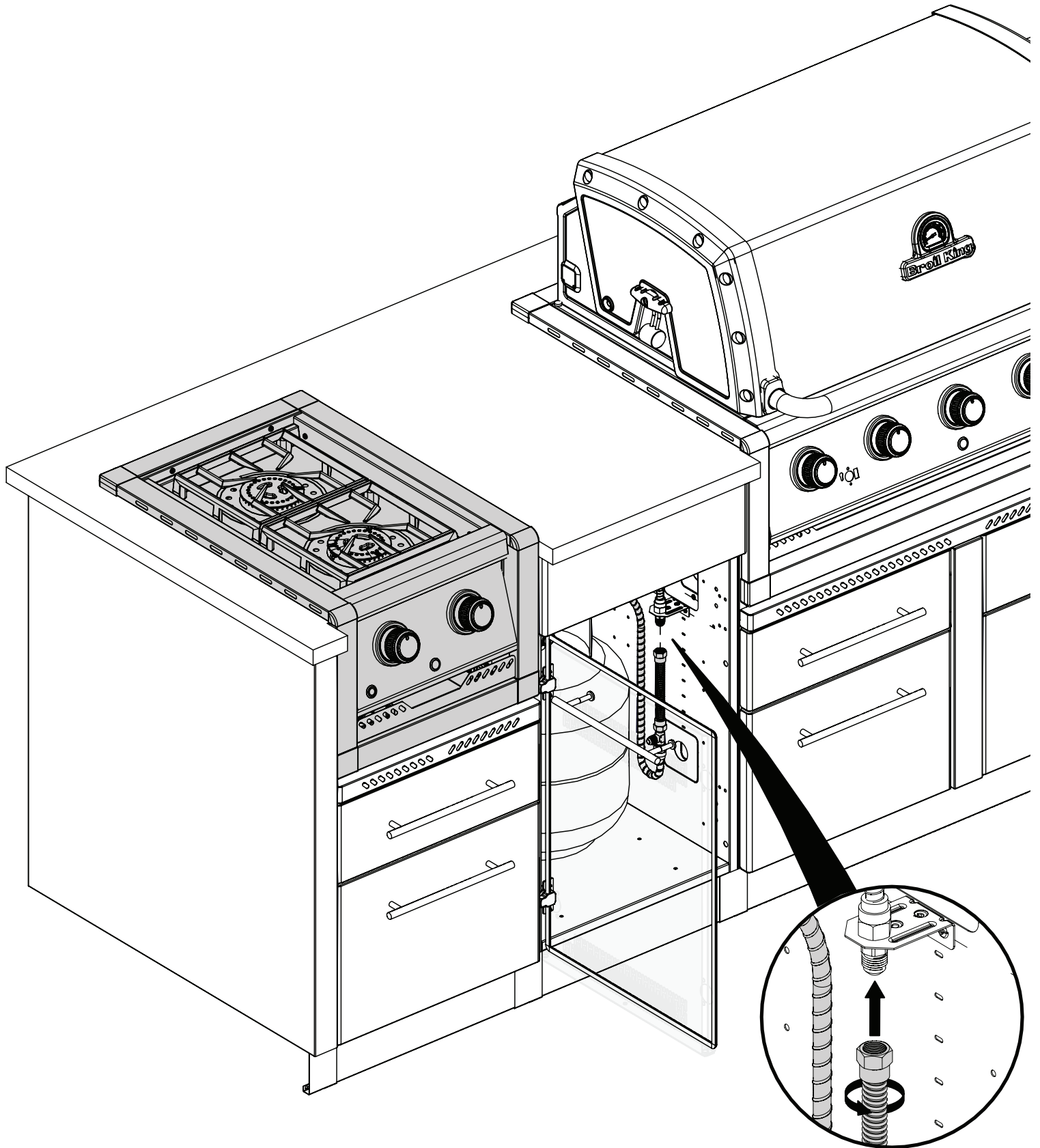


12a

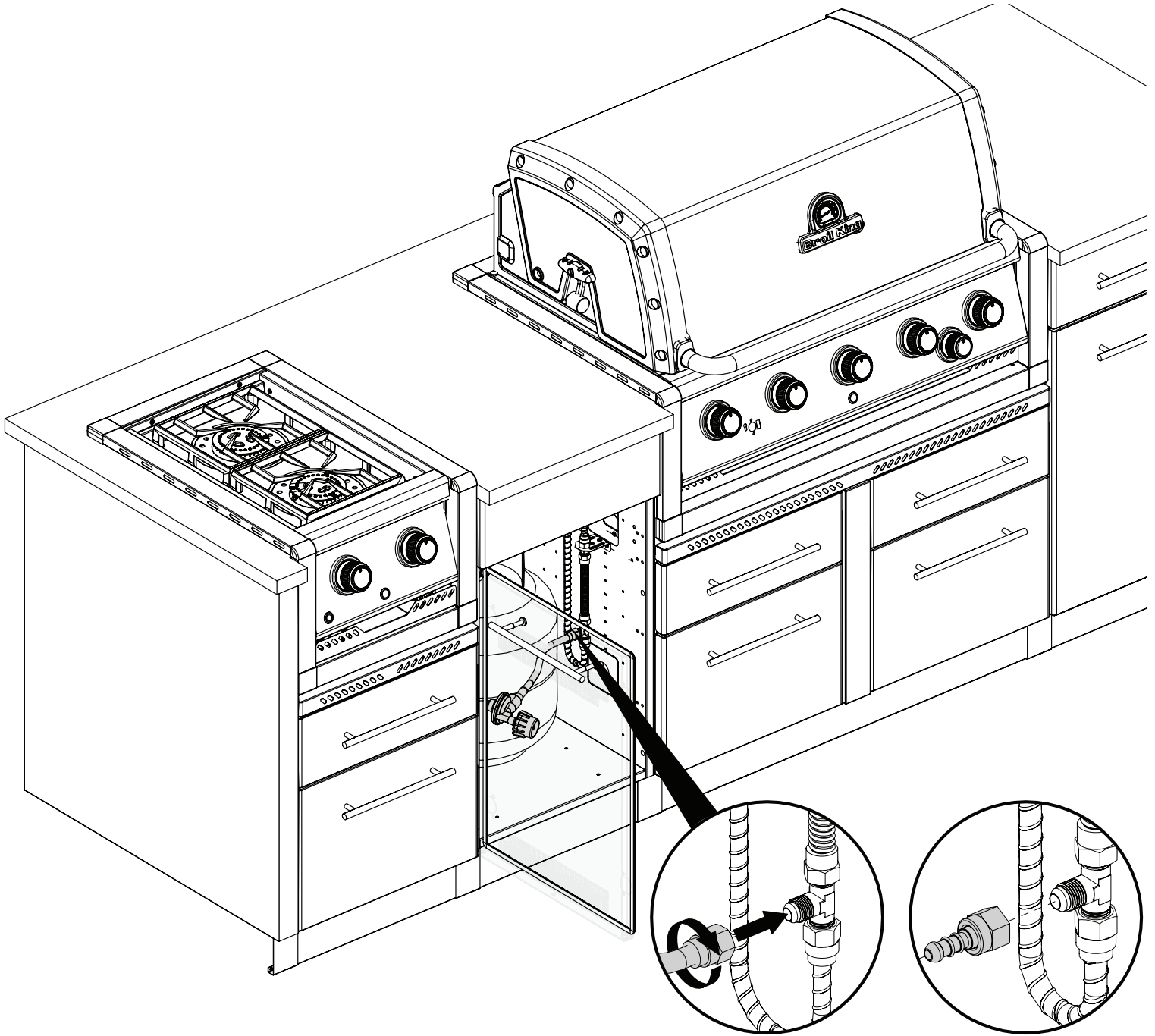




14a



15a

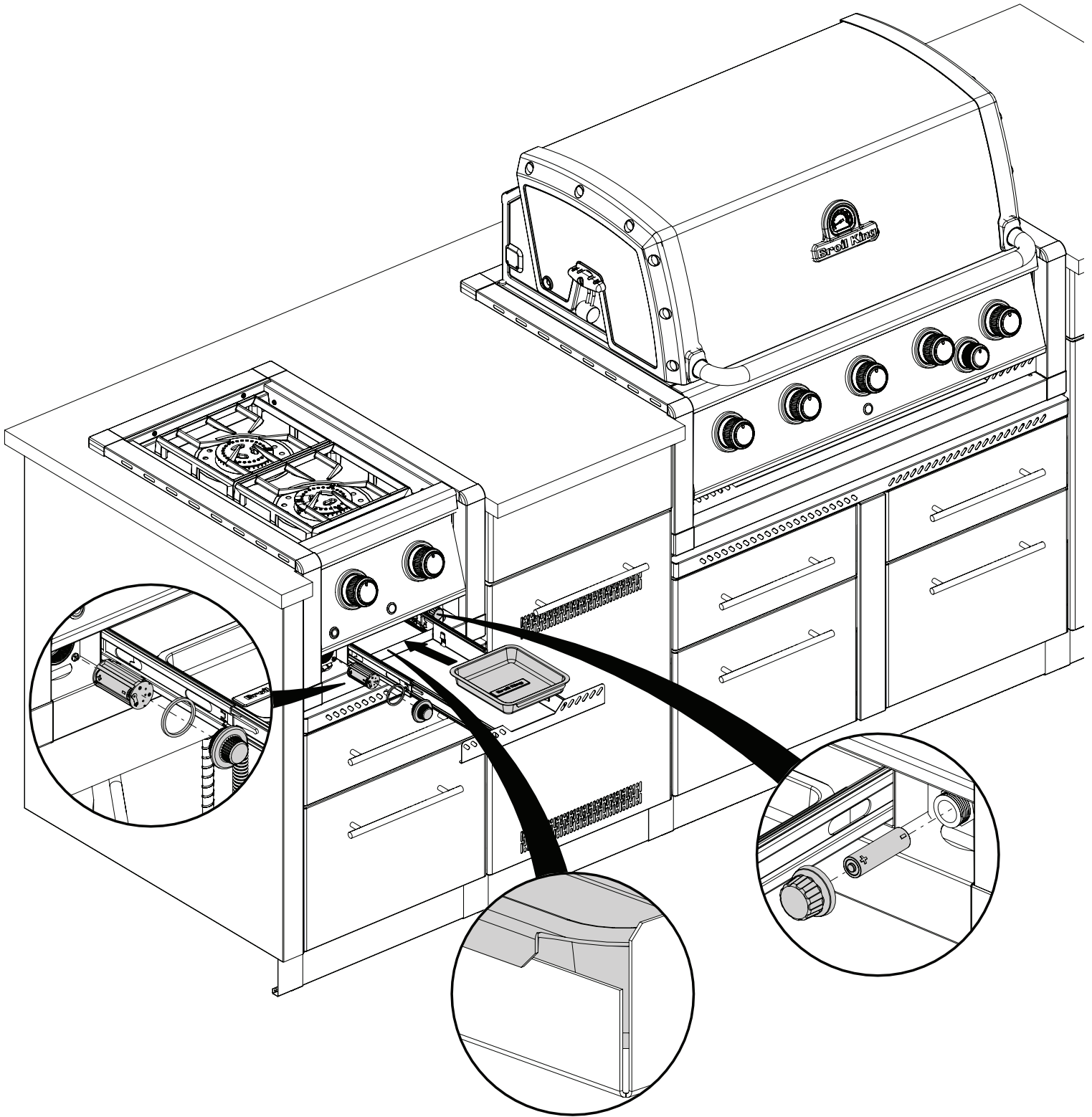


16

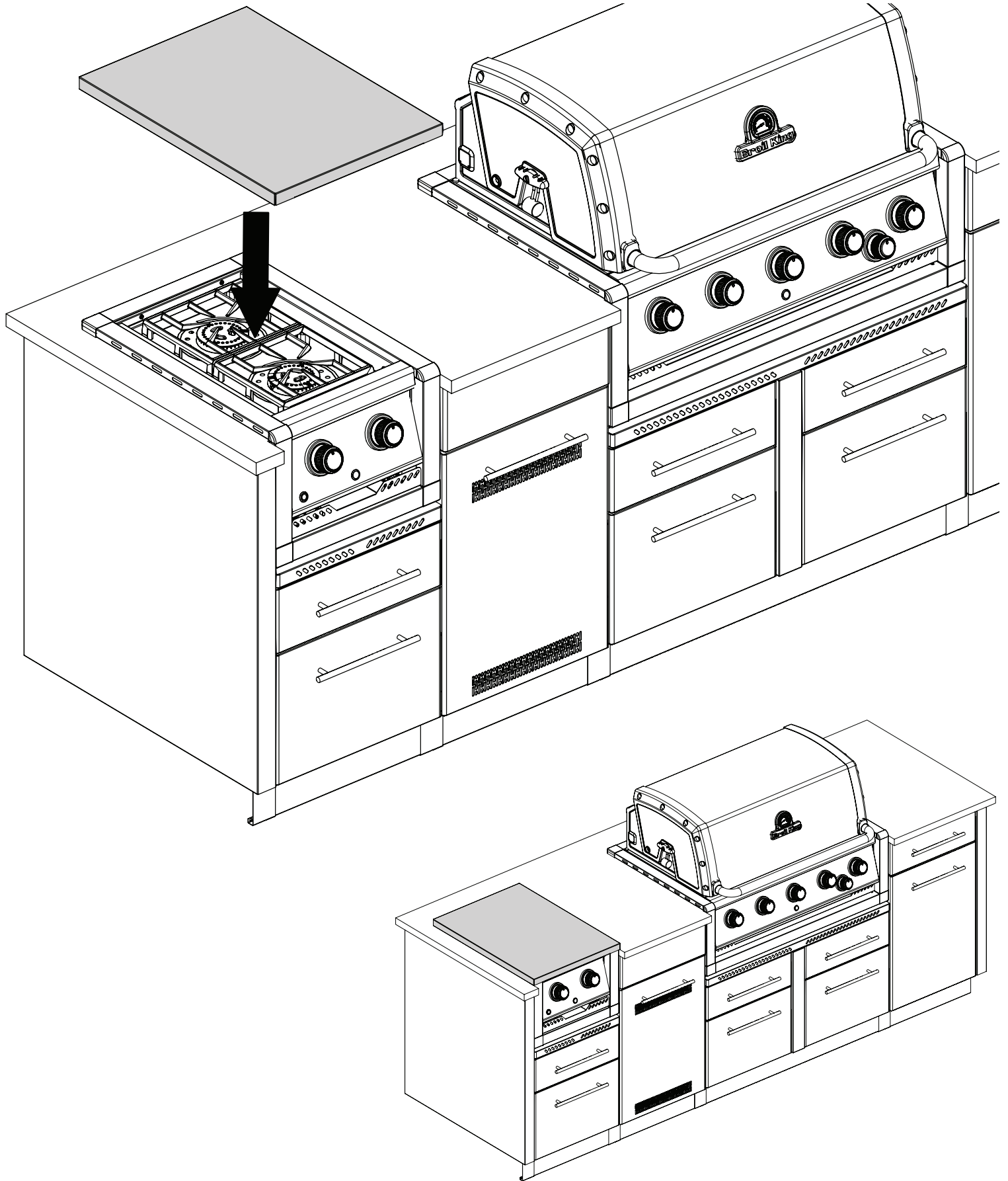
(4)



AA



17



KEY # ITEM # 802400

1	71289-183	2
3	71281-103	1
7	71091-103	1
8	71031-103	1
9	71033-003	1
10	71083-103	1
11	71639-103	2
12	71039-078	4
13	71099-078	4
14	Y-99103	4
17	71039-108	2
18	71503-003	1
19	71530-163	1
22	77061-113R	2
24	71049-902	1
26	77361-213A	1
27	72000-000	2
29	71233-103	1
30	76039-103	2
31	Y-11567	4
32	Y-29304S	93
37	71049-903	1
39	77361-223A	1

