

Broil King®



Broil King®

IMPERIAL QS 690 BI

6967-82

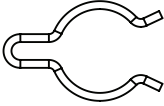

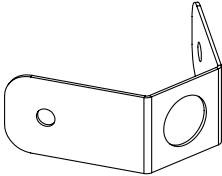
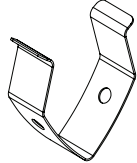
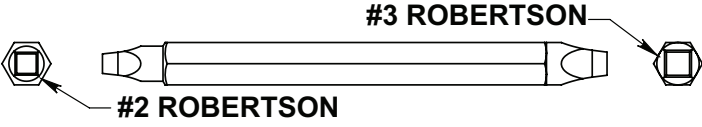
6967-83

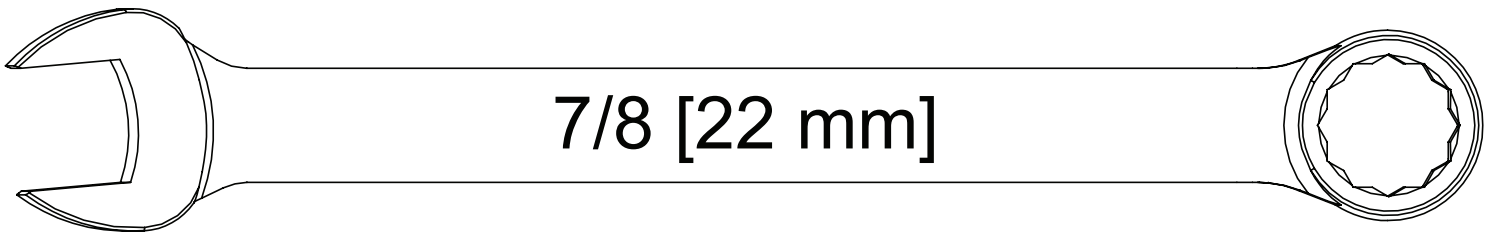
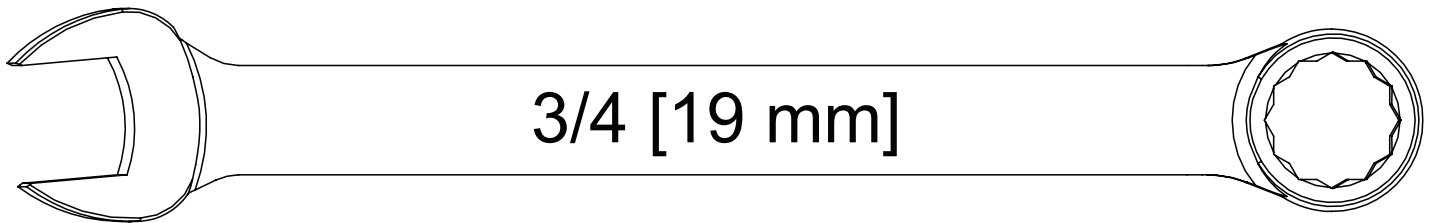
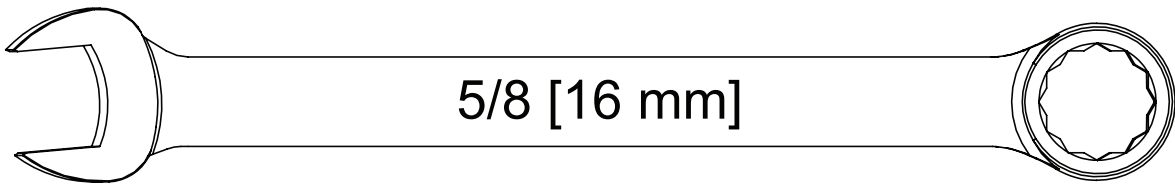
6967-86

Onward
SINCE 1906
MANUFACTURING COMPANY LIMITED
585 KUMPF DRIVE
WATERLOO, ONTARIO, CANADA
N2V 1K3

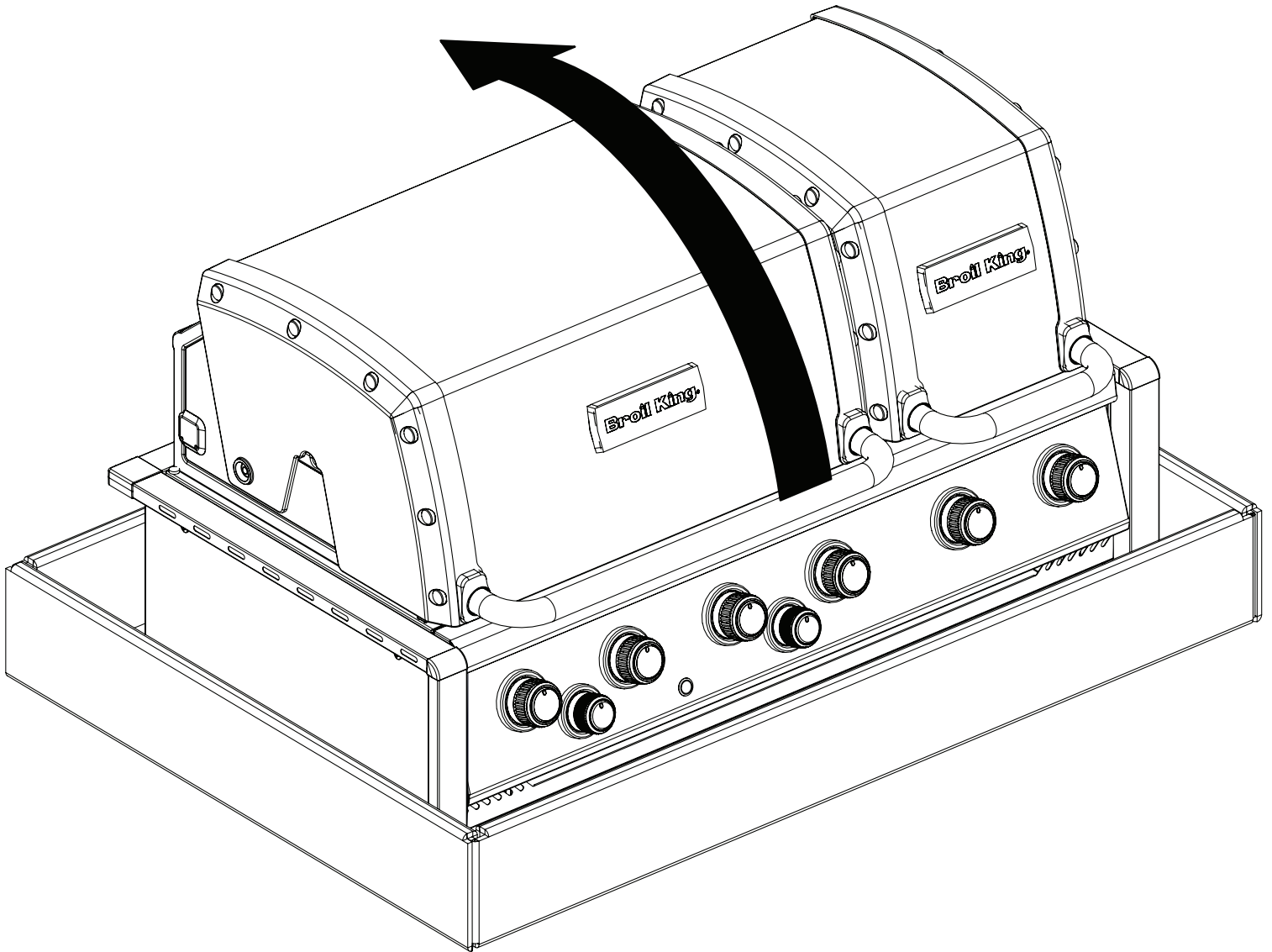
70084-E26EU REV C 03/24



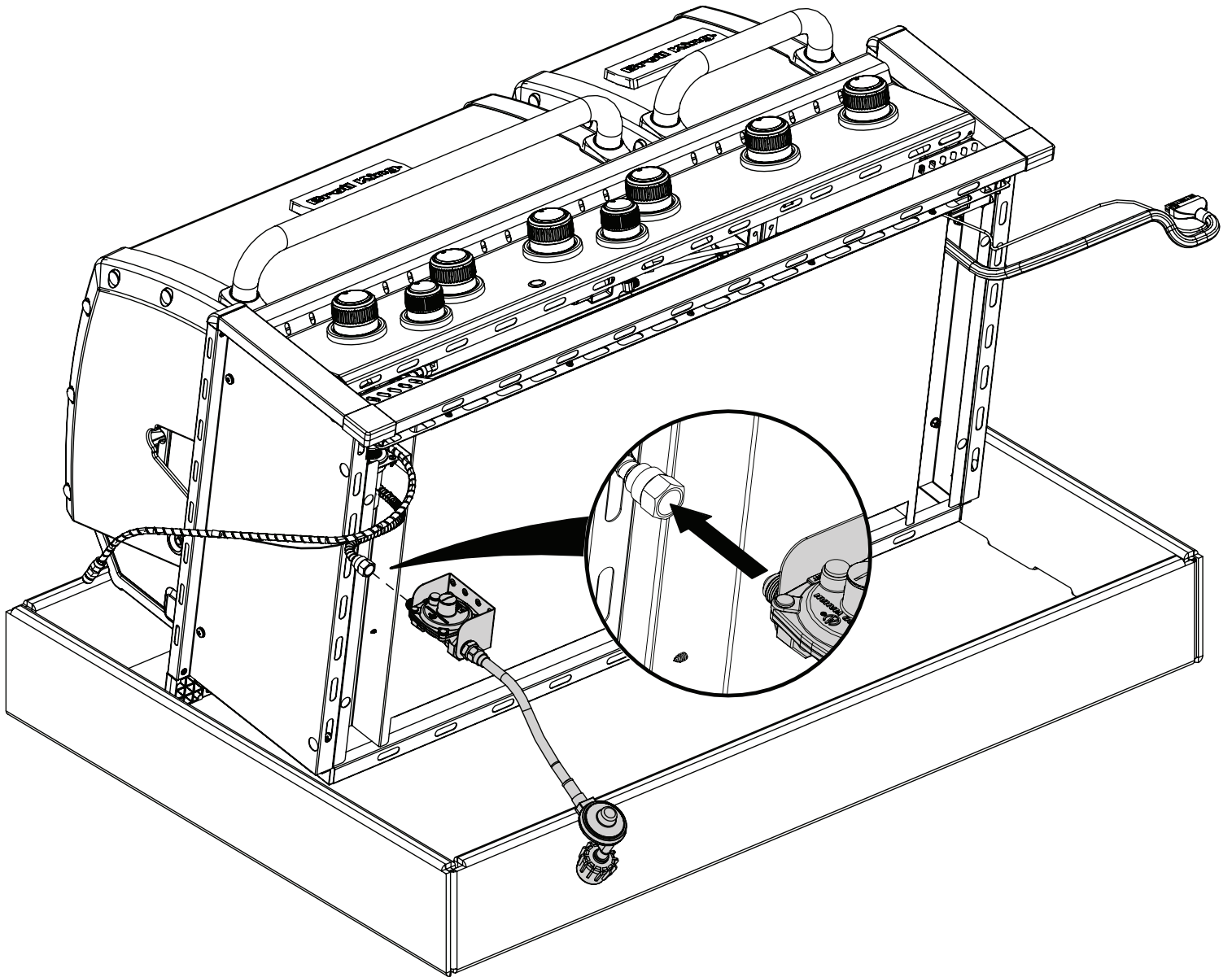
| | | | | | |
|--|---|-----|---------|---|-----|
| Y-11230 |  | (1) | AA |  | (1) |
| Y-12550 |  | (2) | Y-12552 |  | (2) |
|  <p>#2 ROBERTSON</p> <p>#3 ROBERTSON</p> | | | | | |



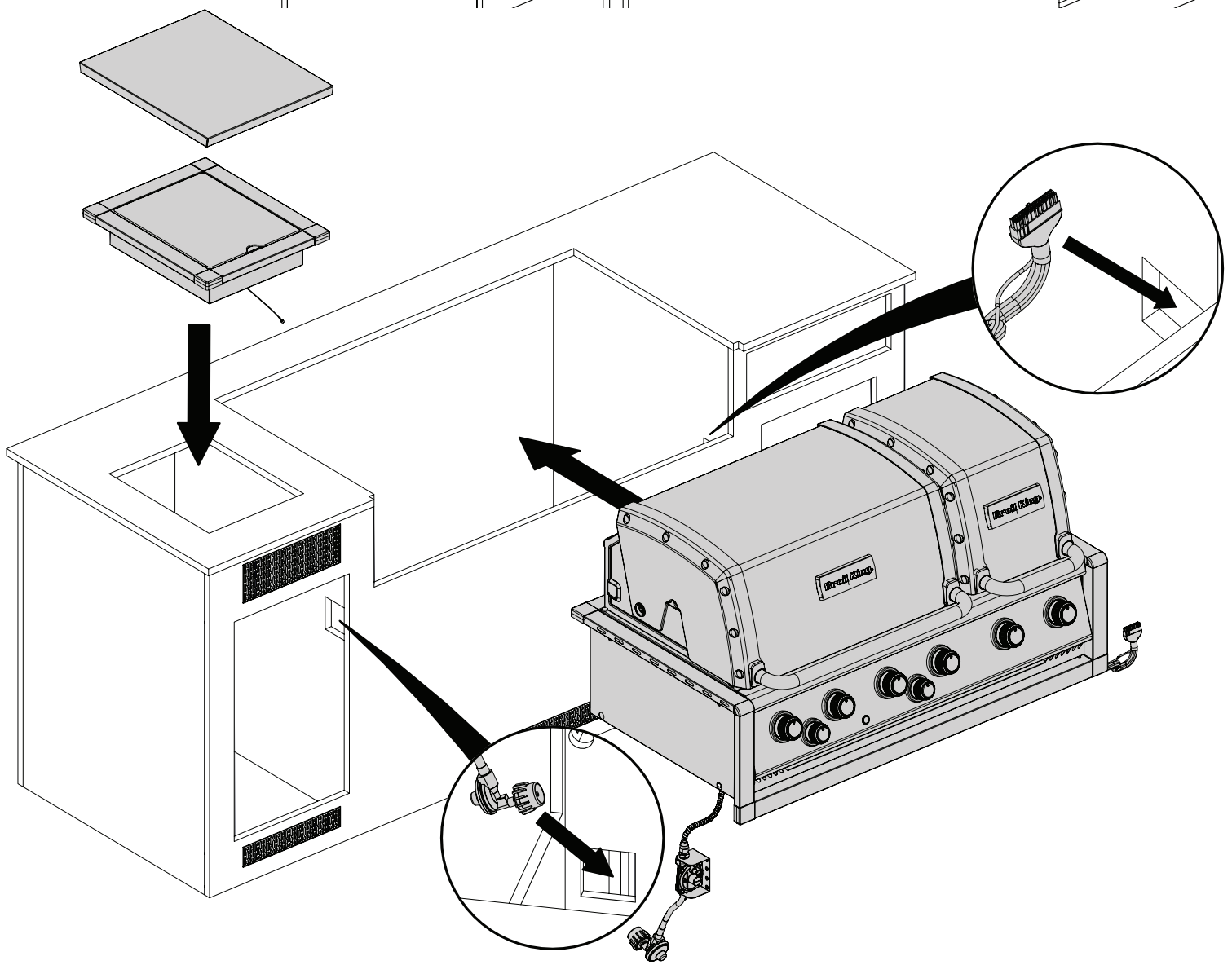
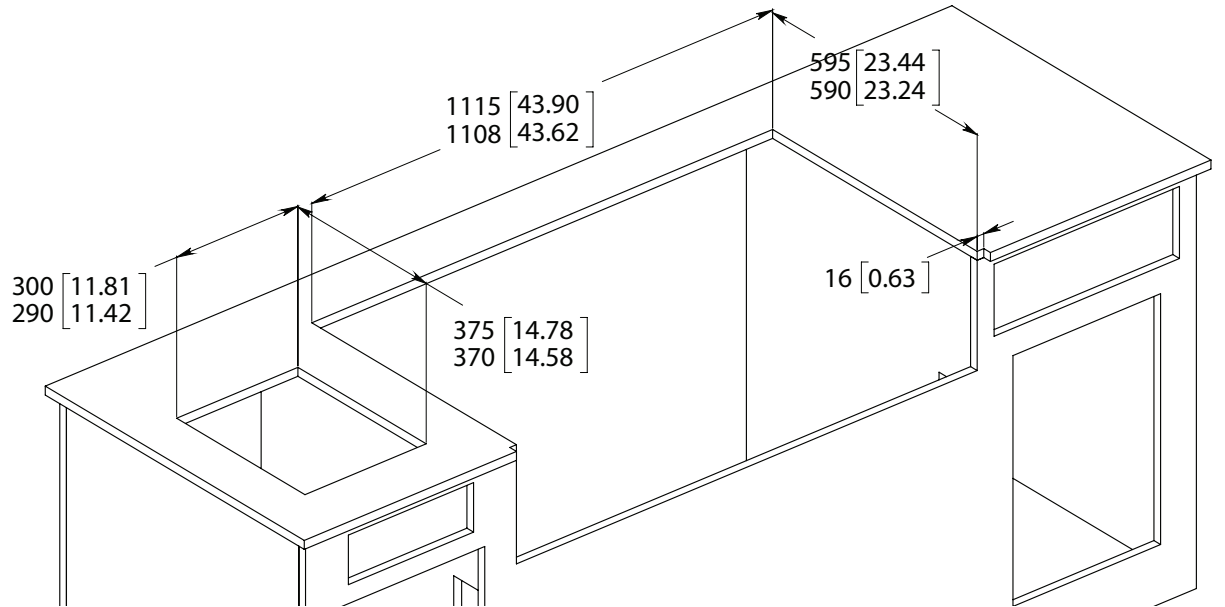
1



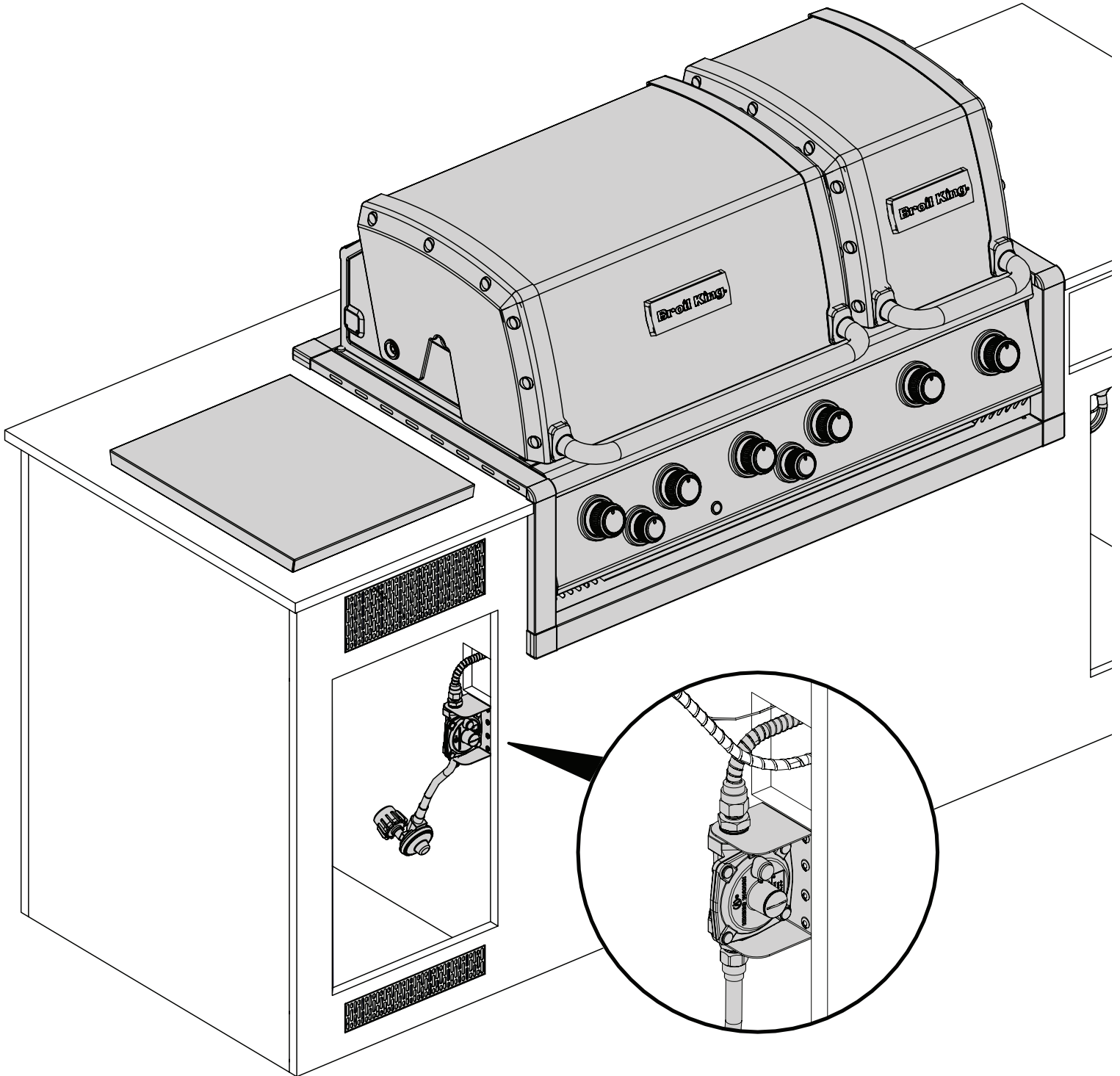
2



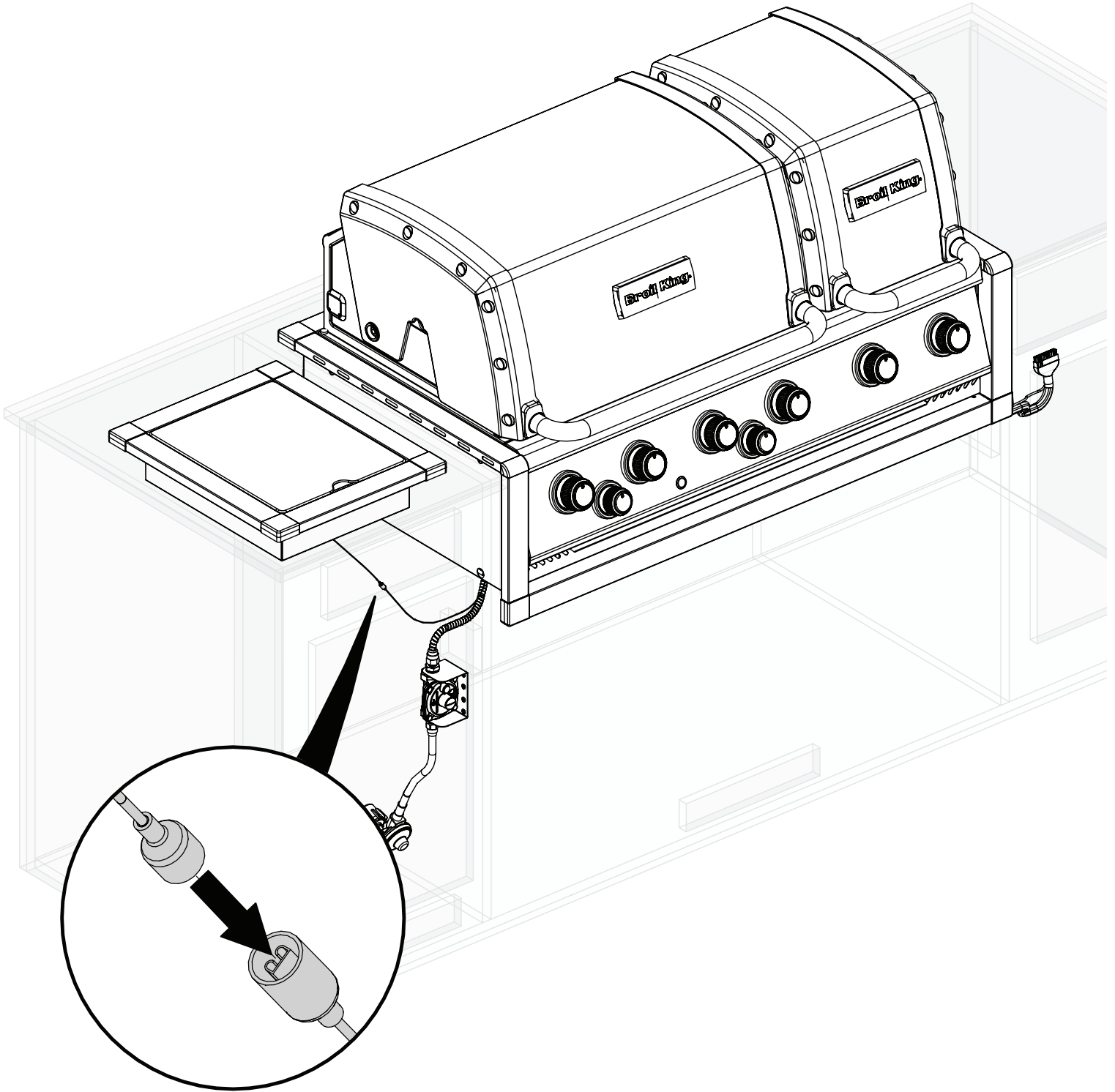
3



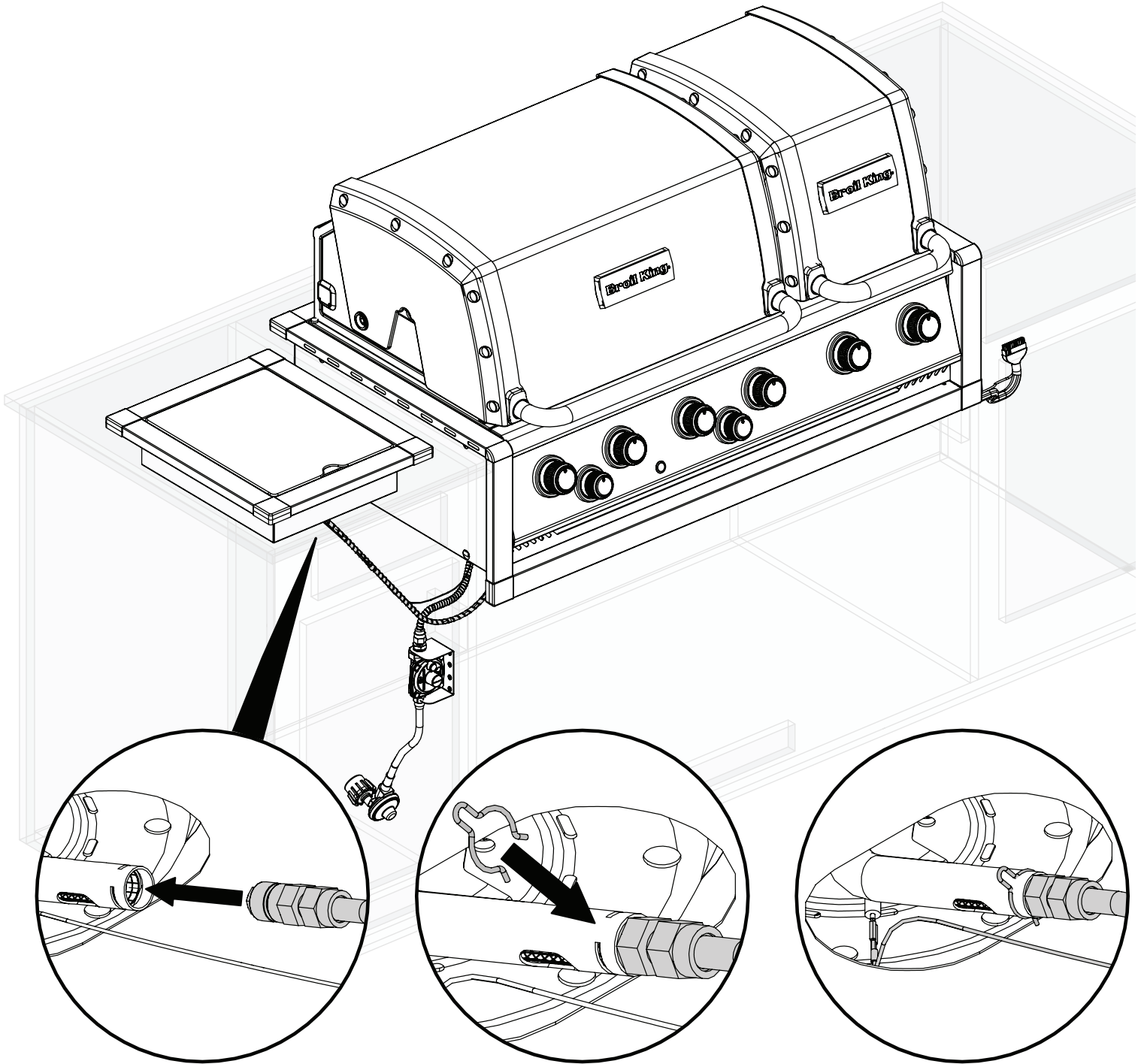
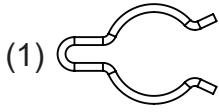
4



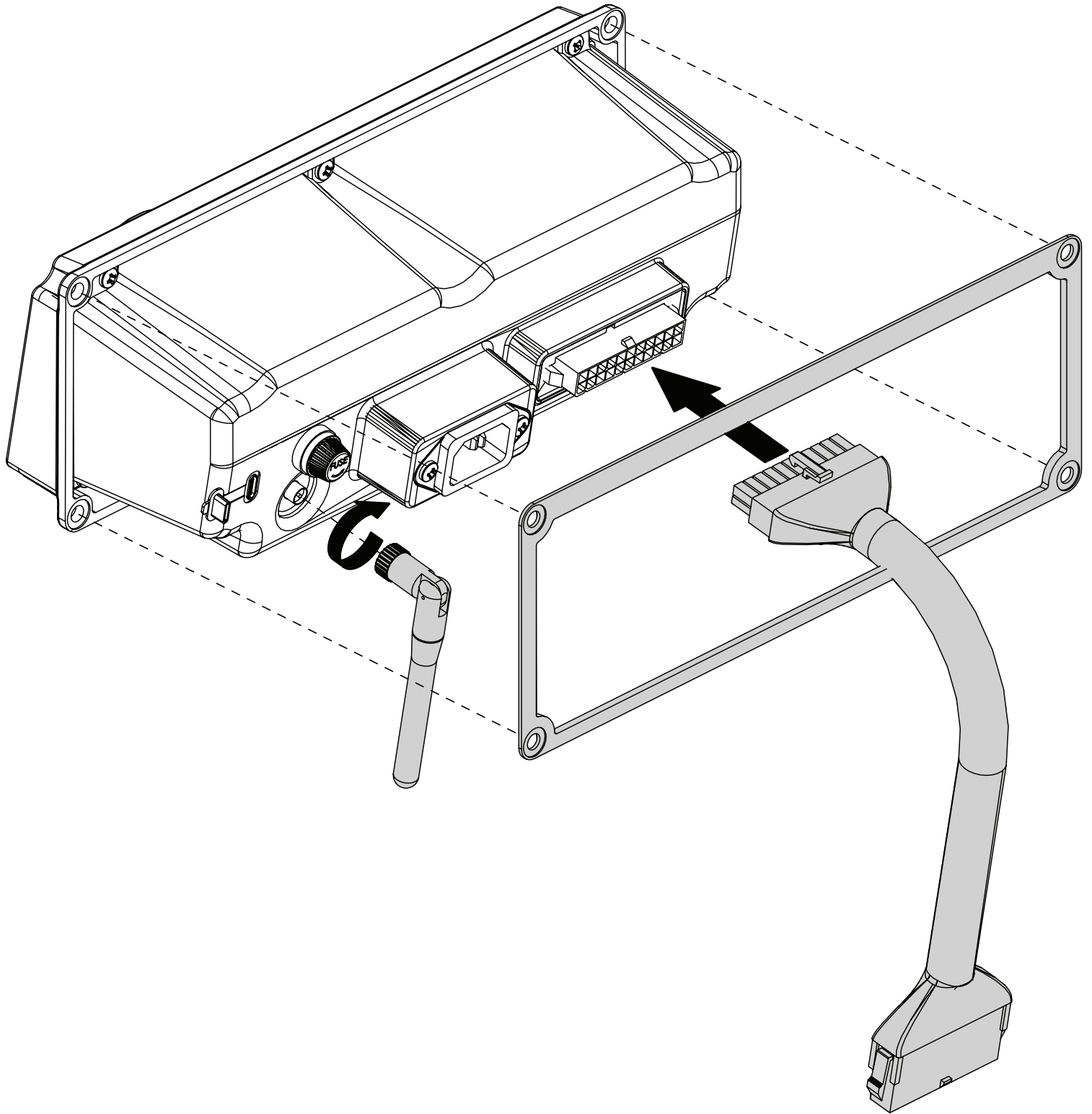
5



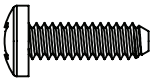
6

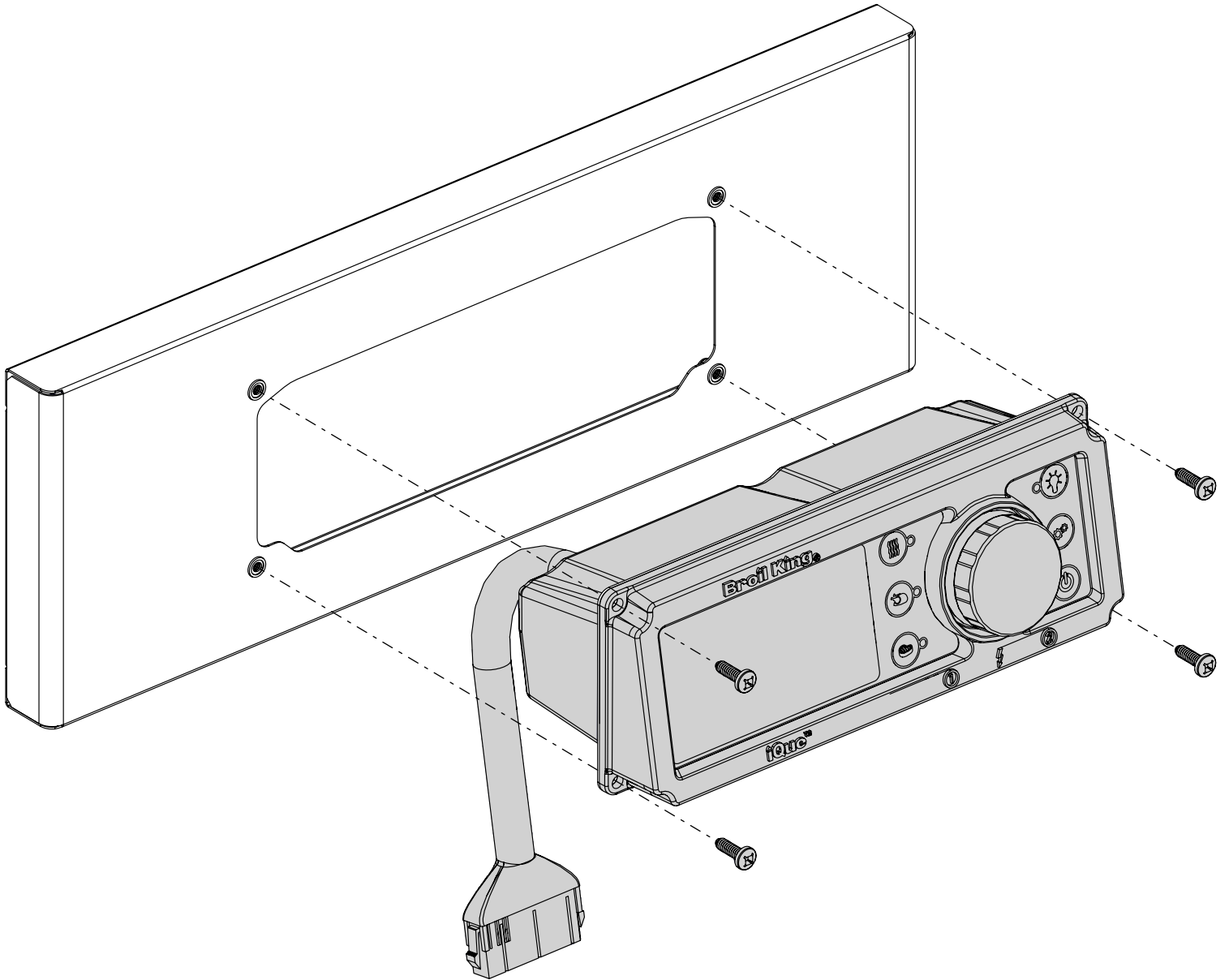


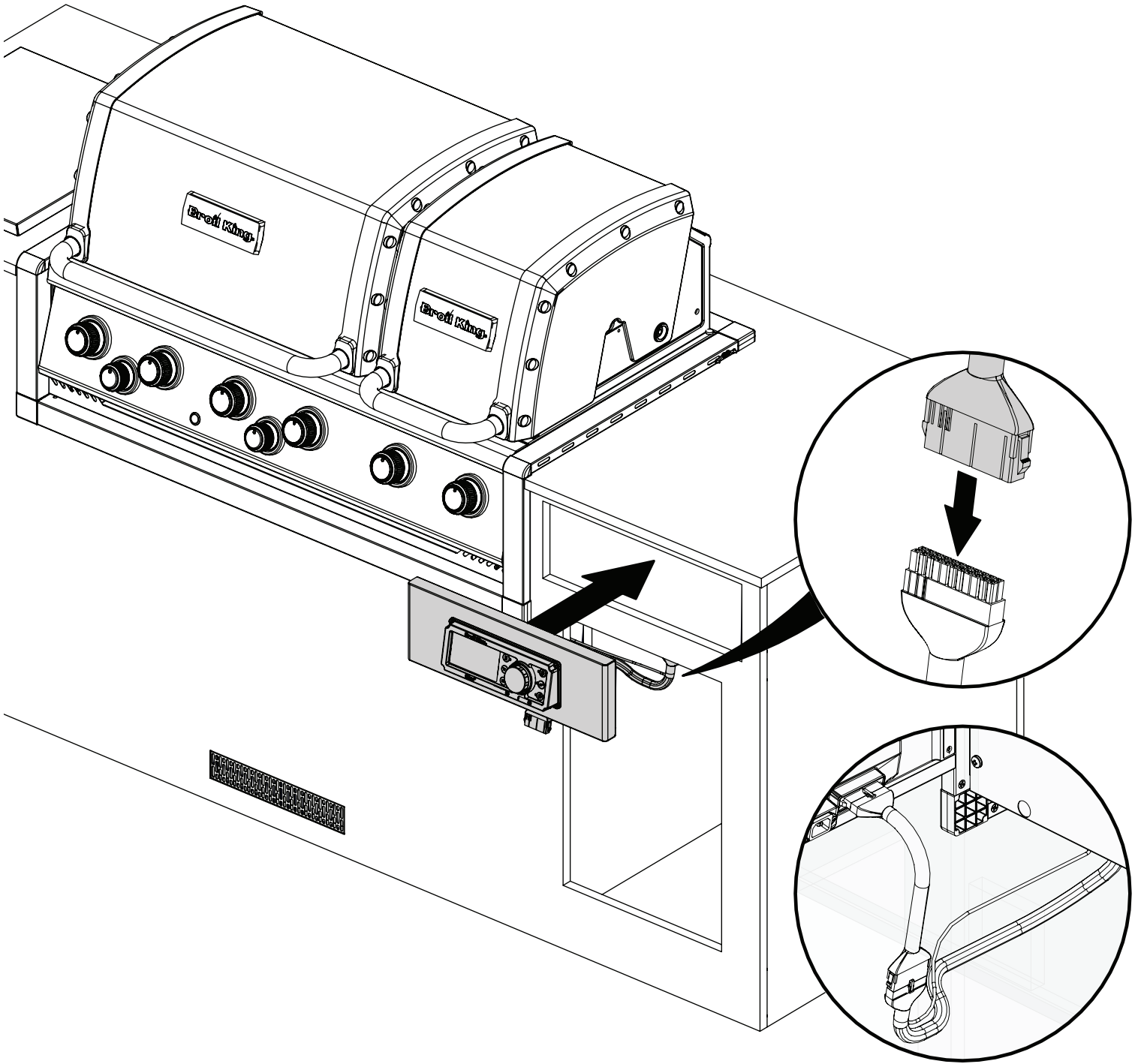
7



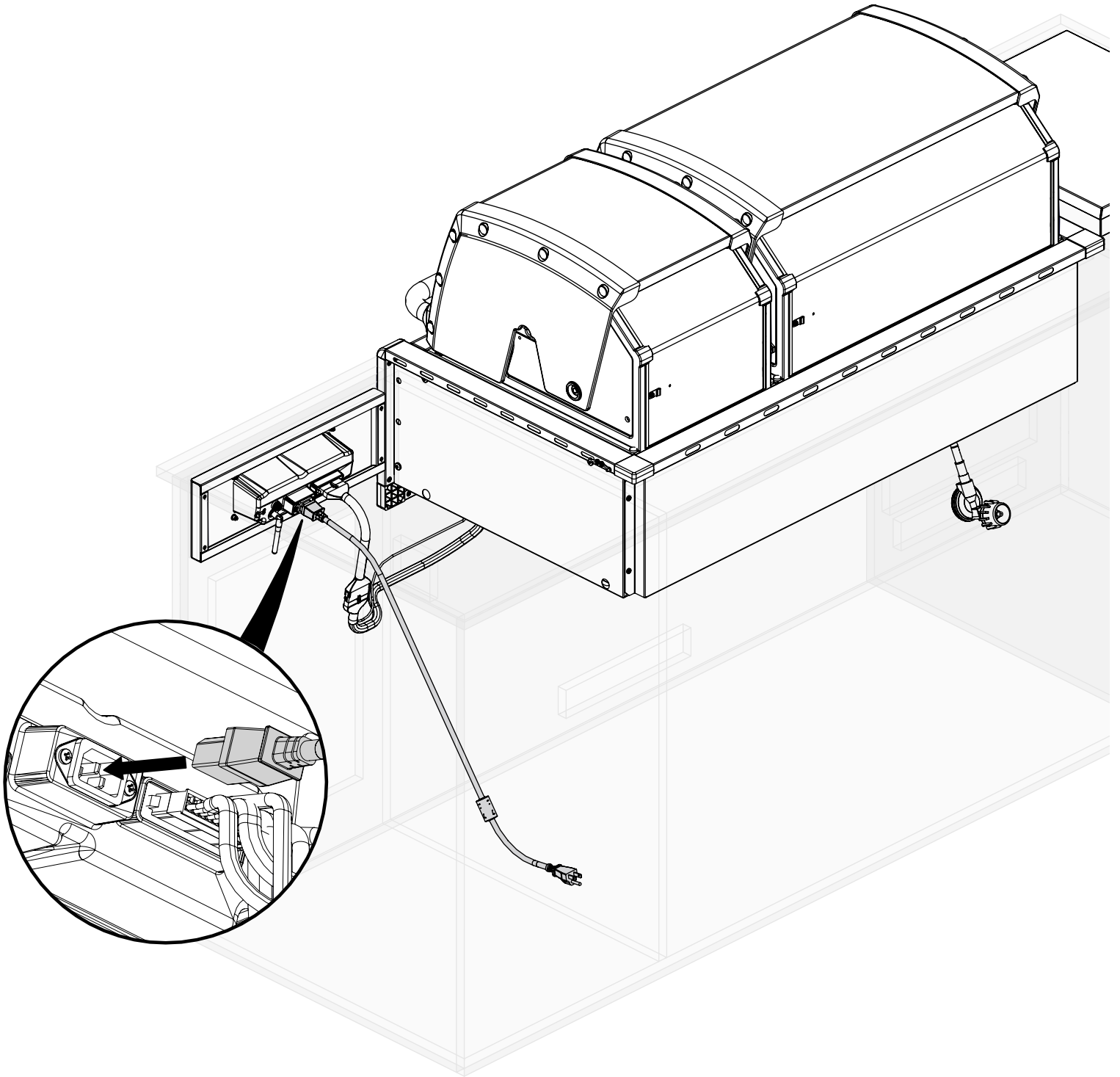
8

(4) 

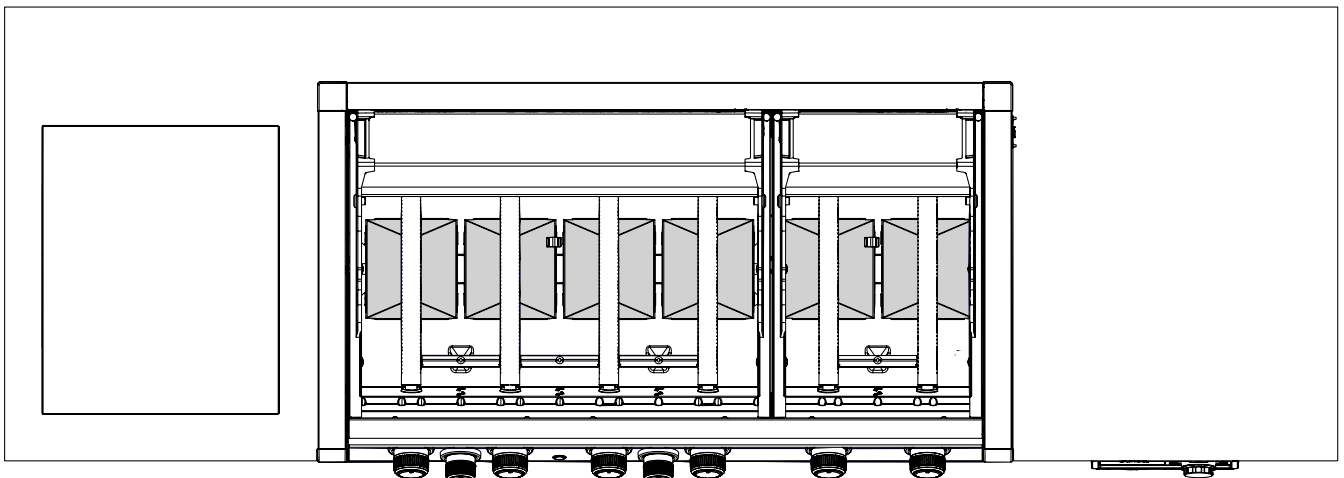
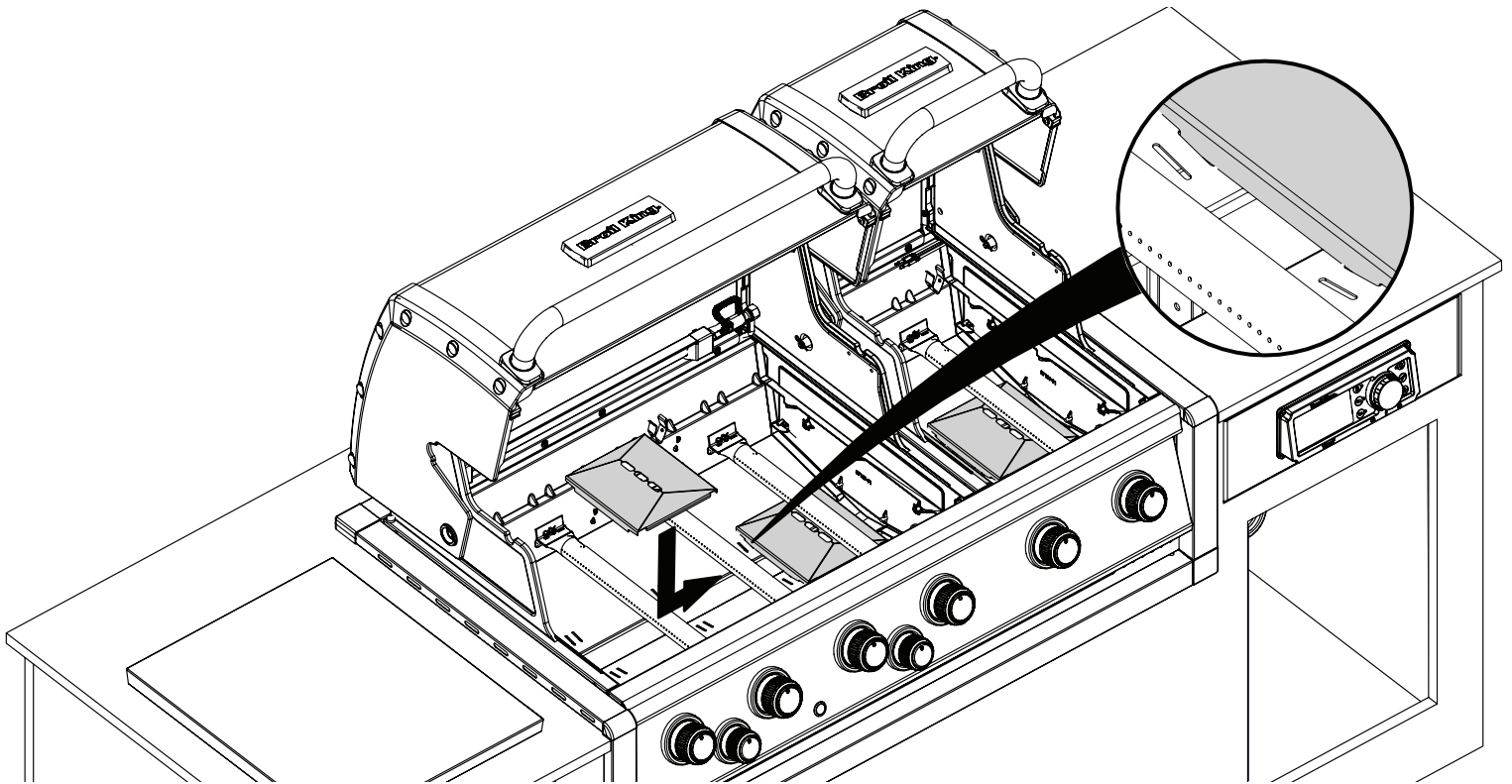
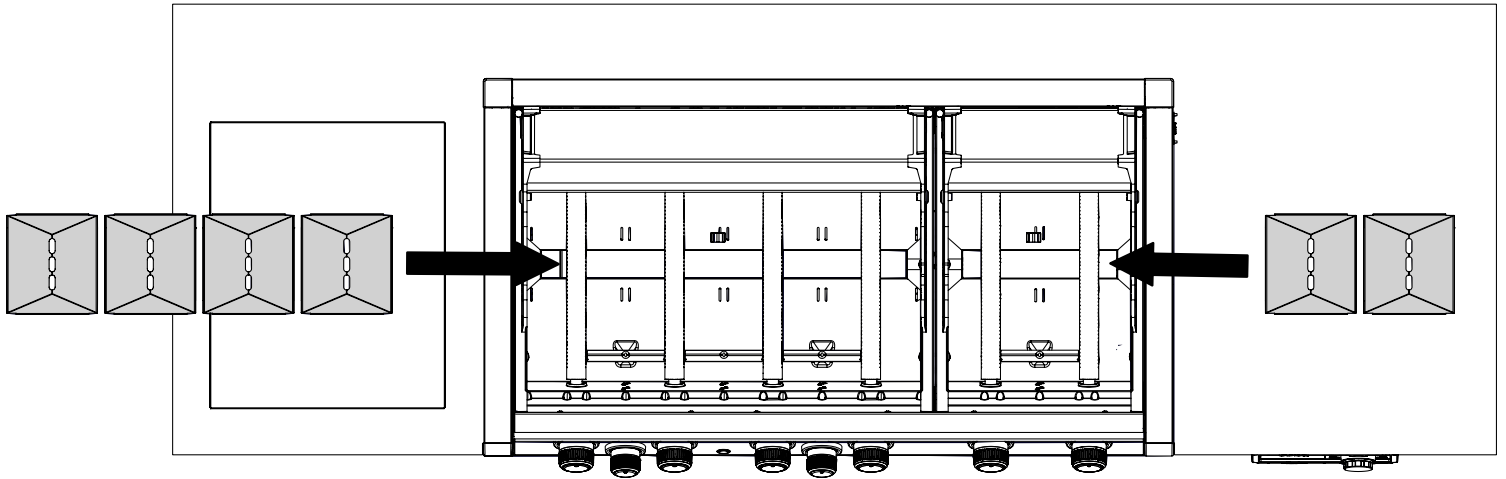


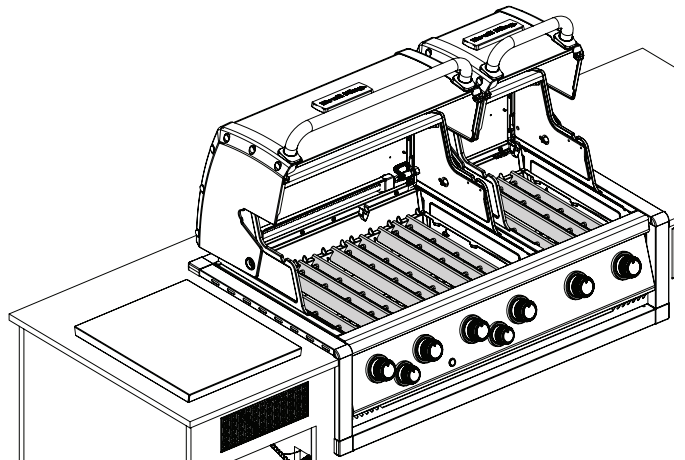
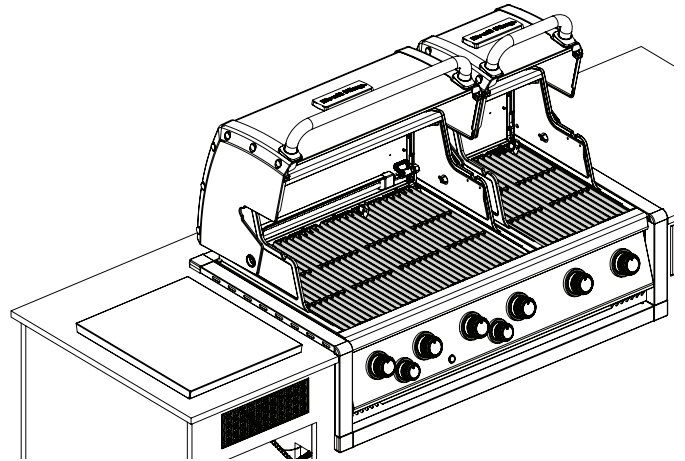
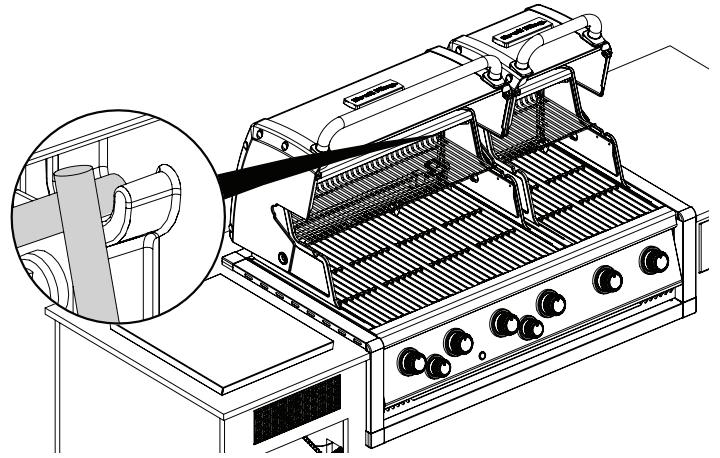
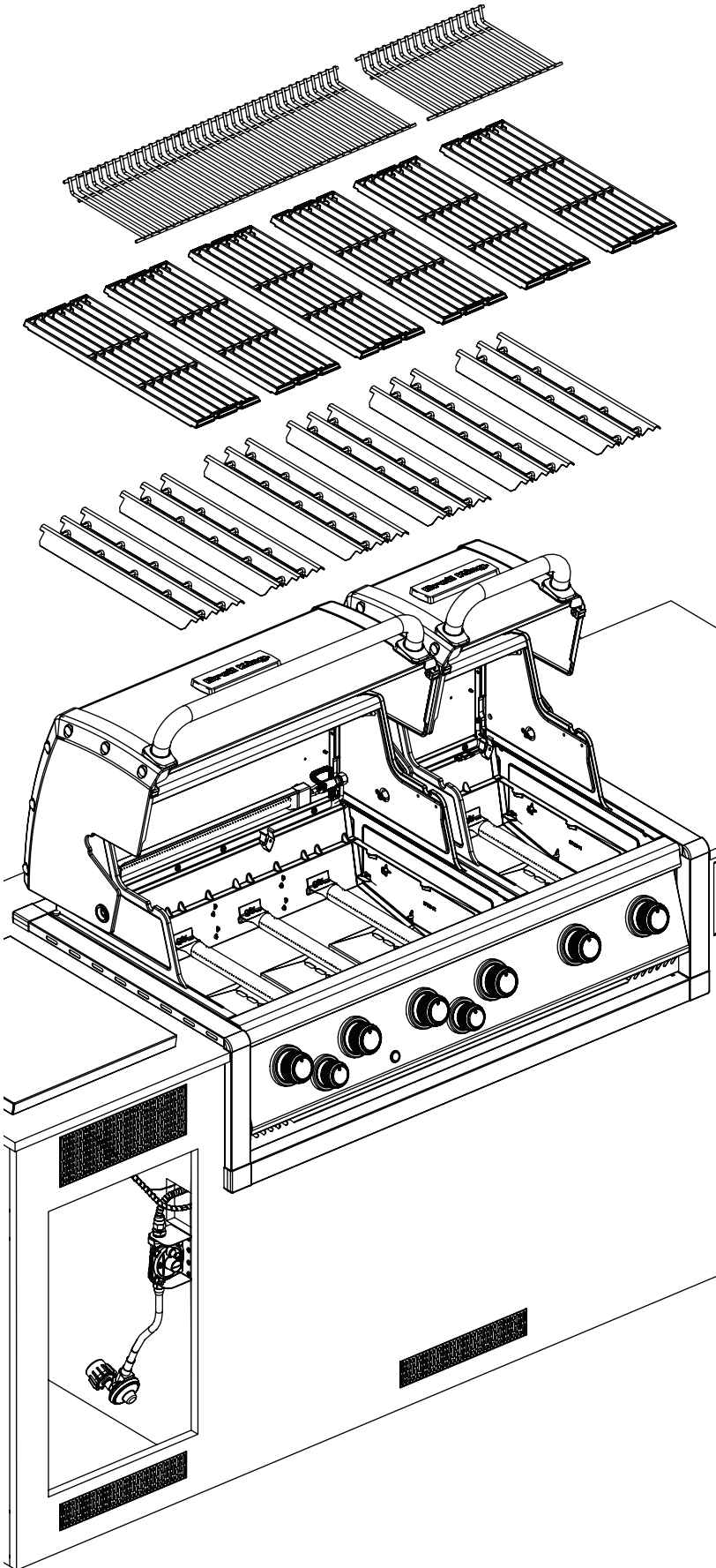


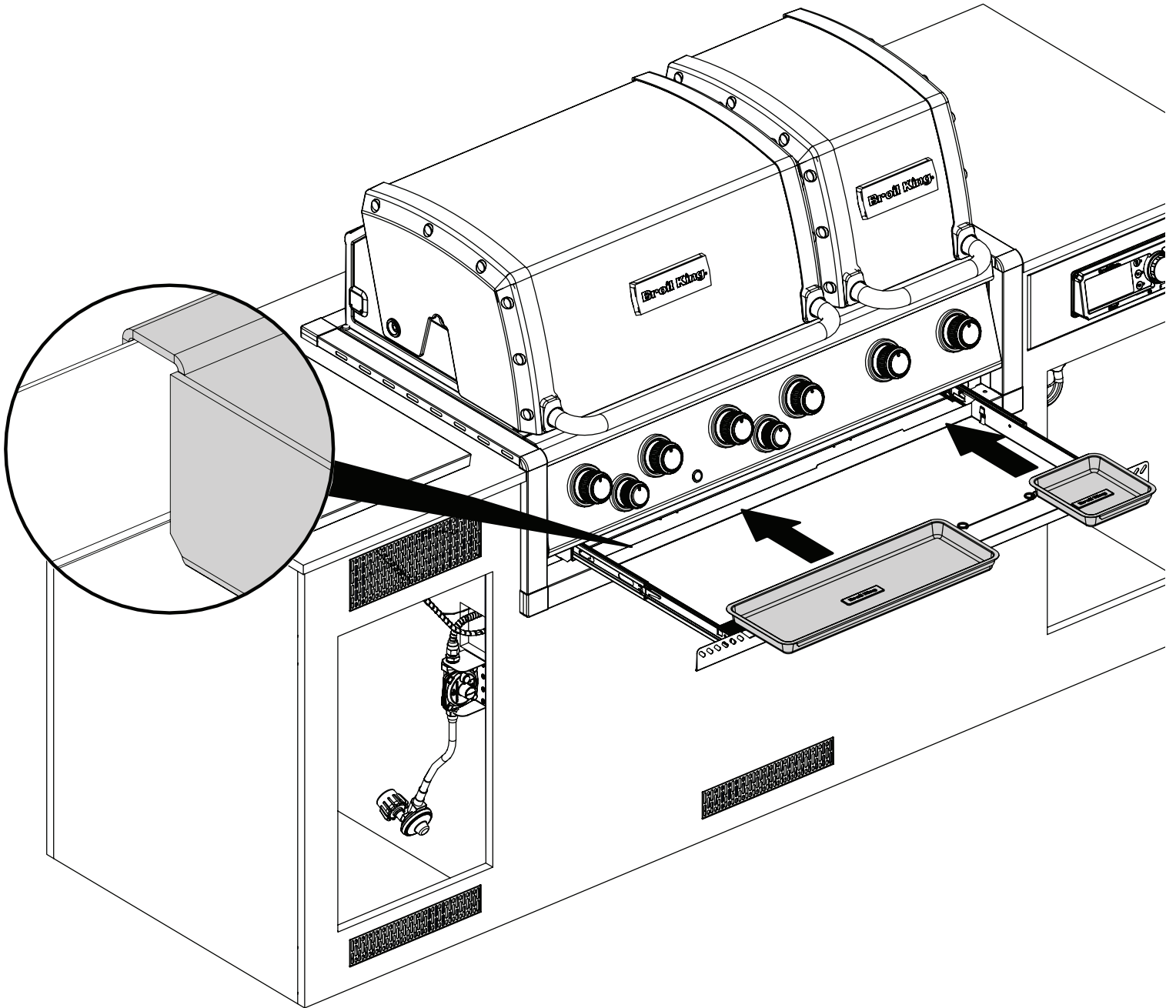
10



11





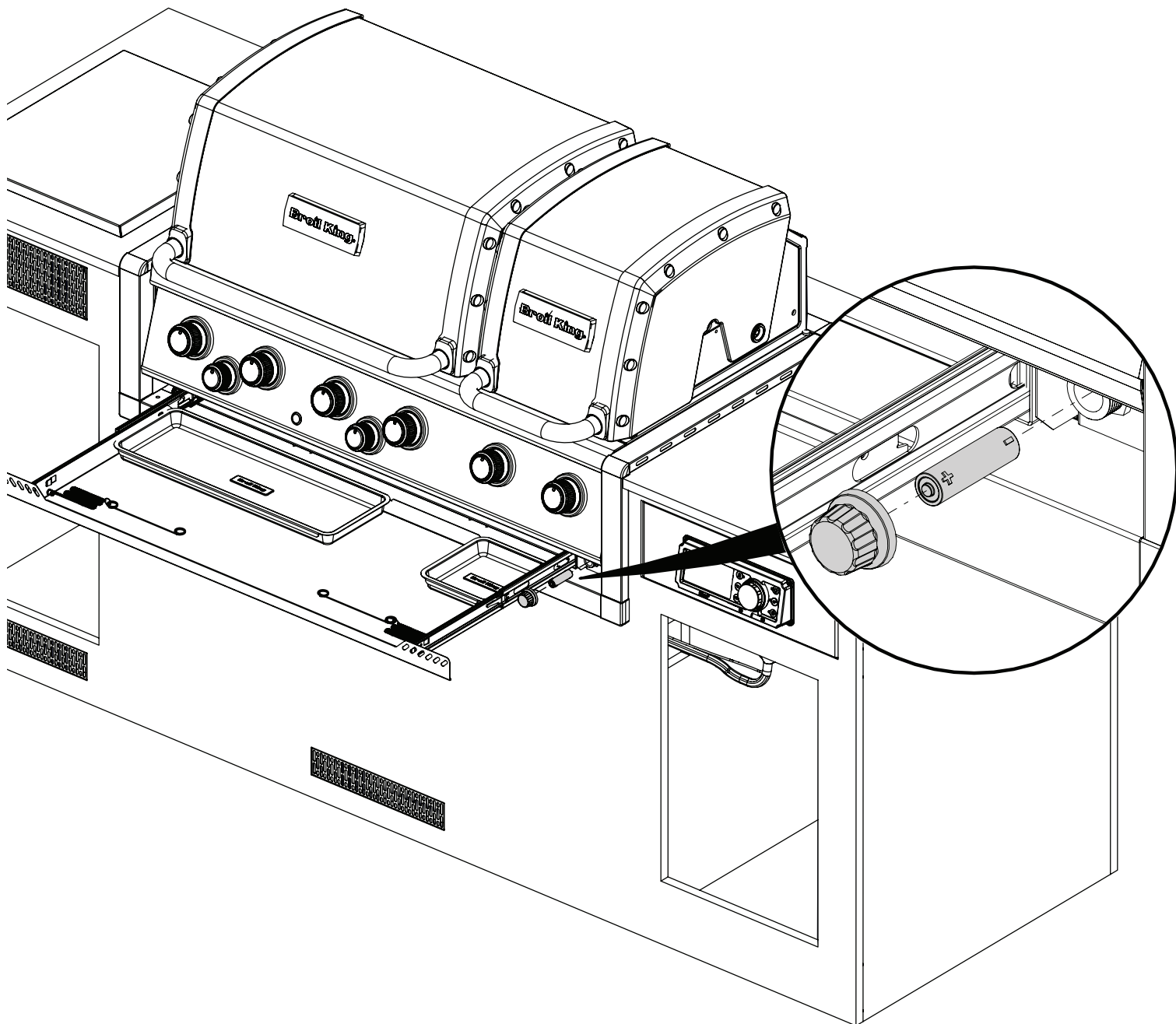


14

(1)

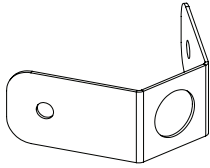


AA

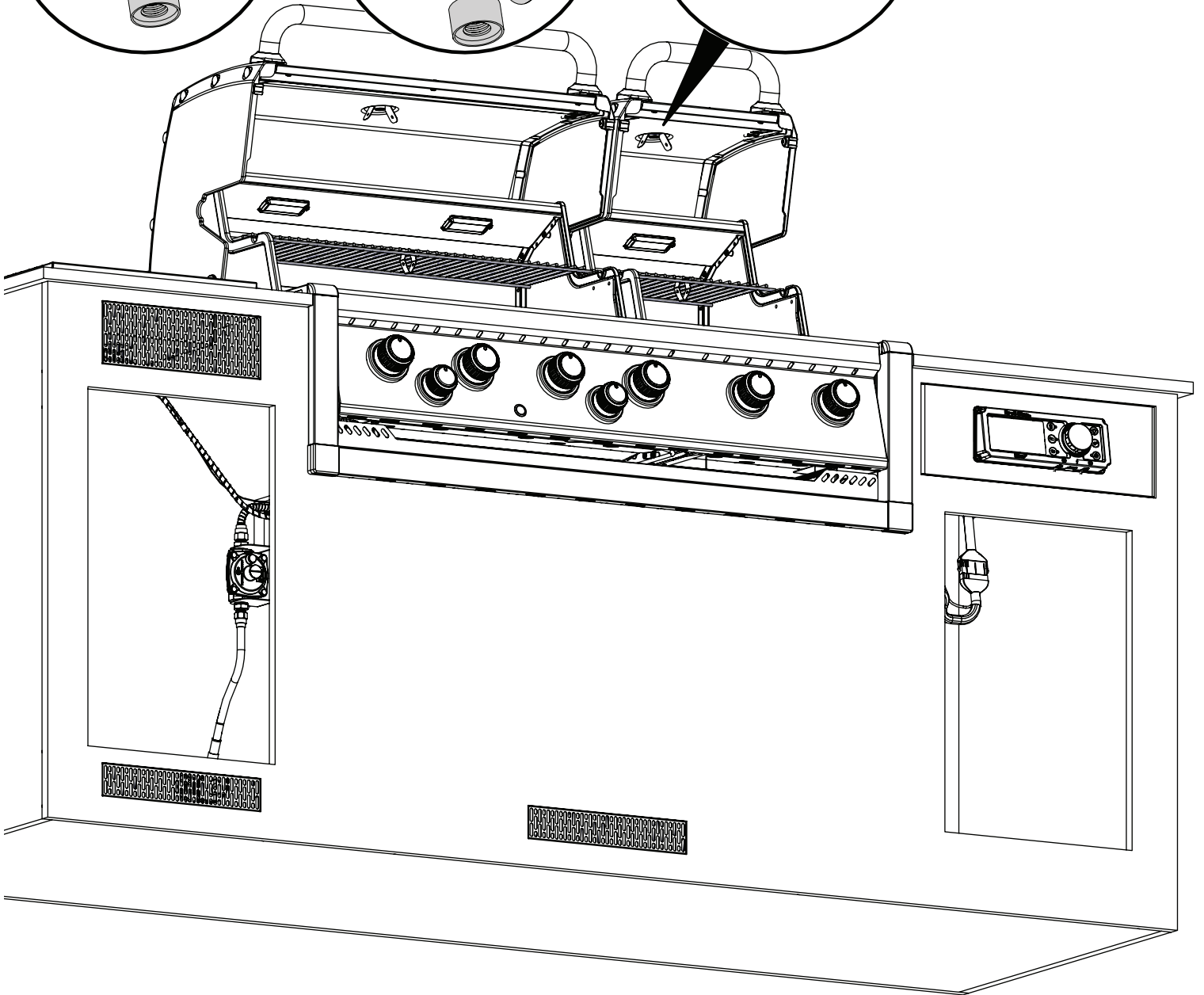
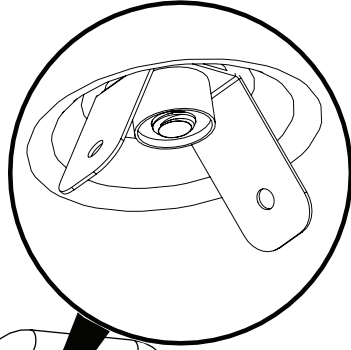
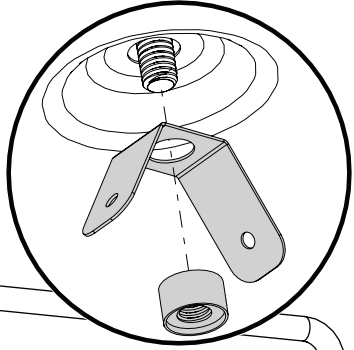
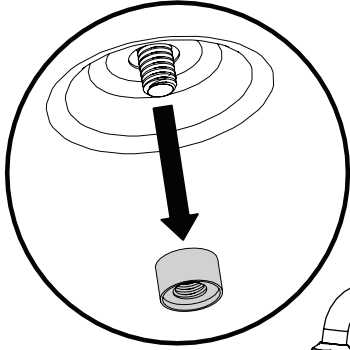


15

(2)

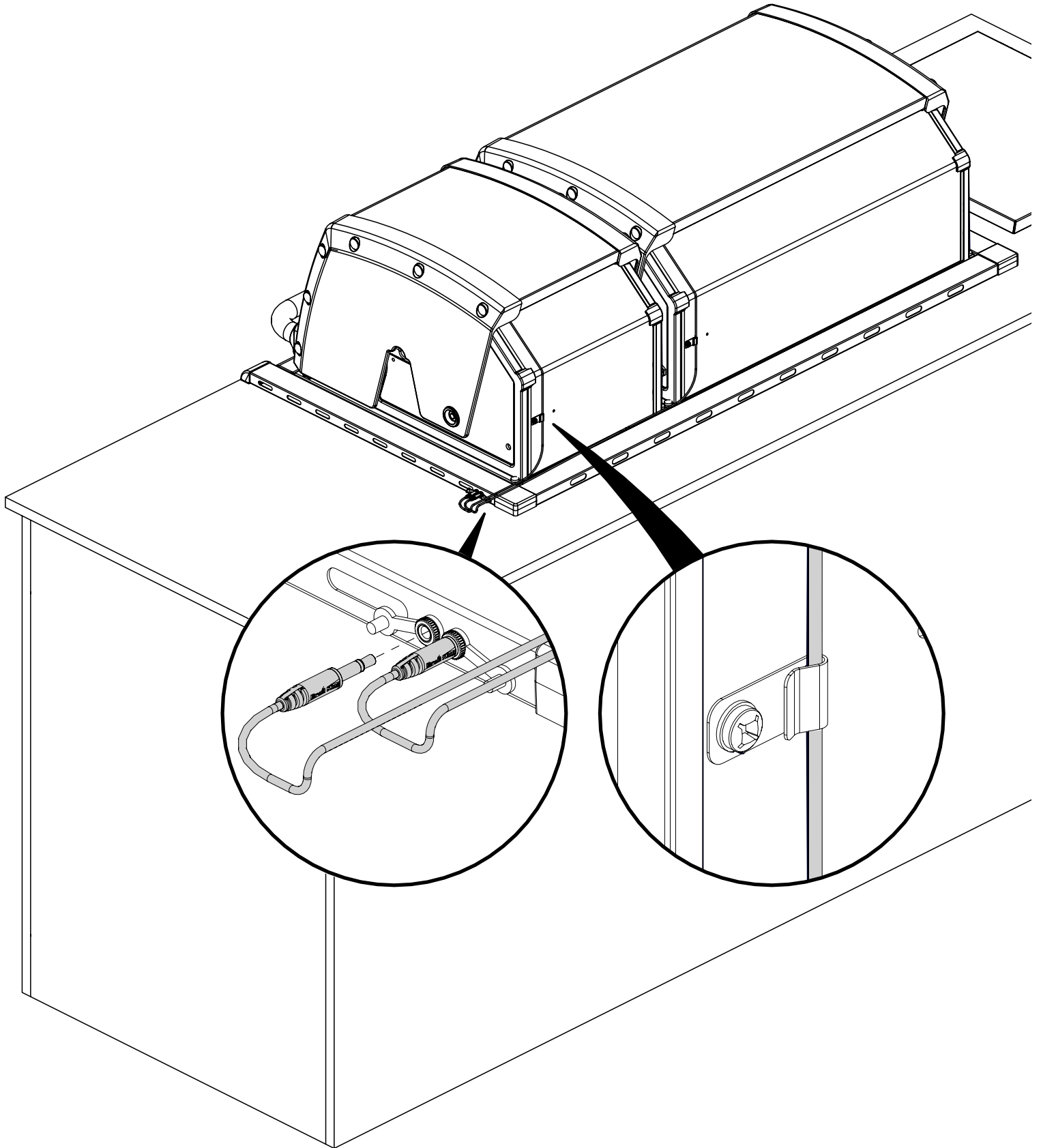
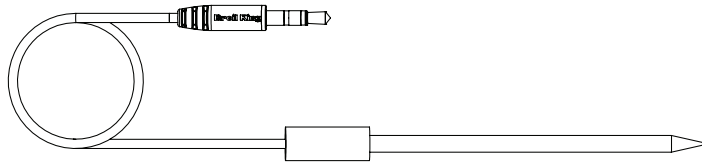


A



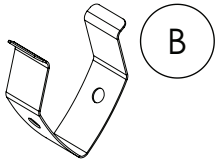
16

(2)

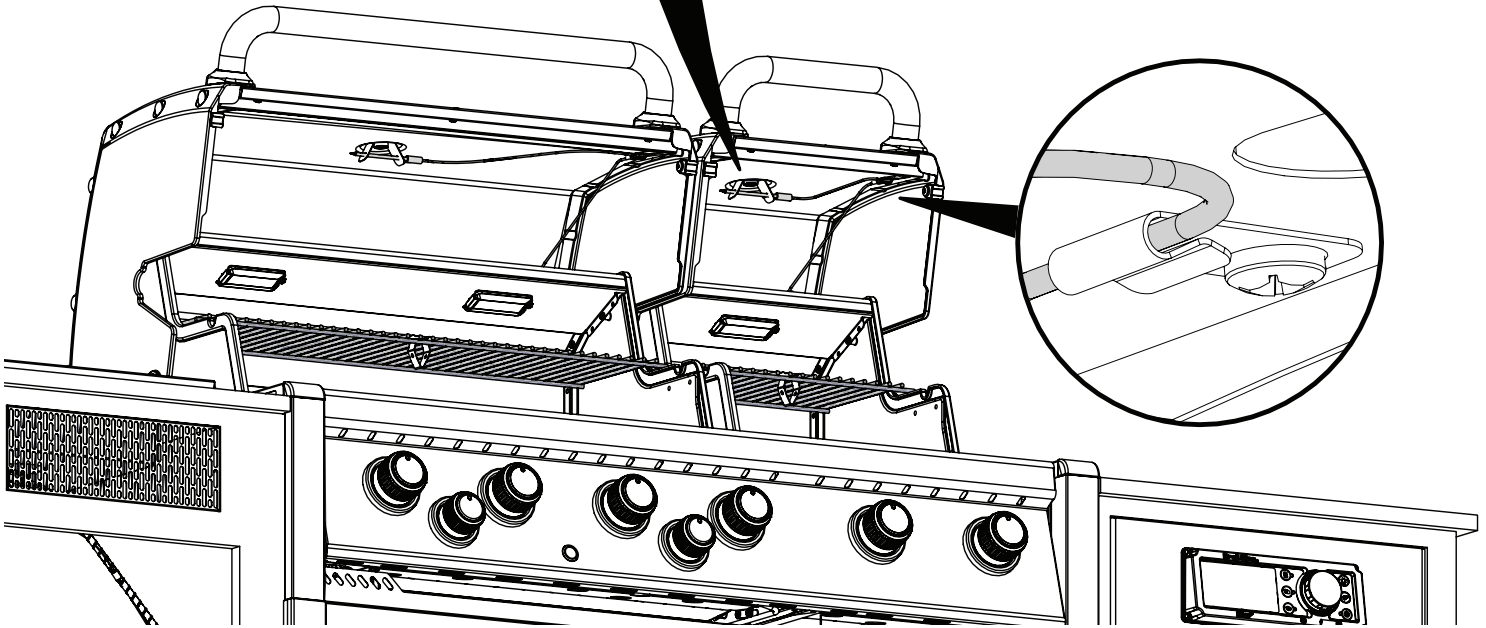
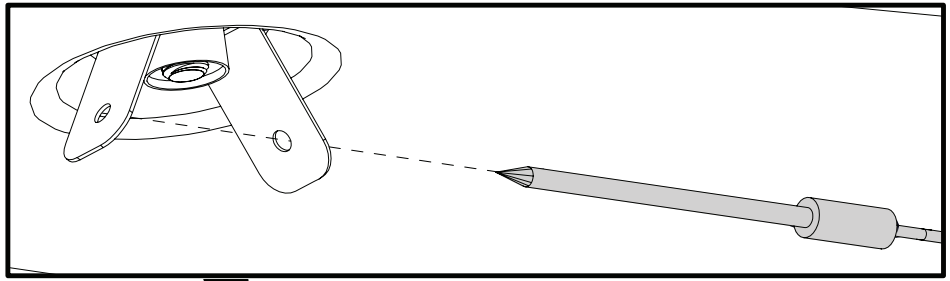


17

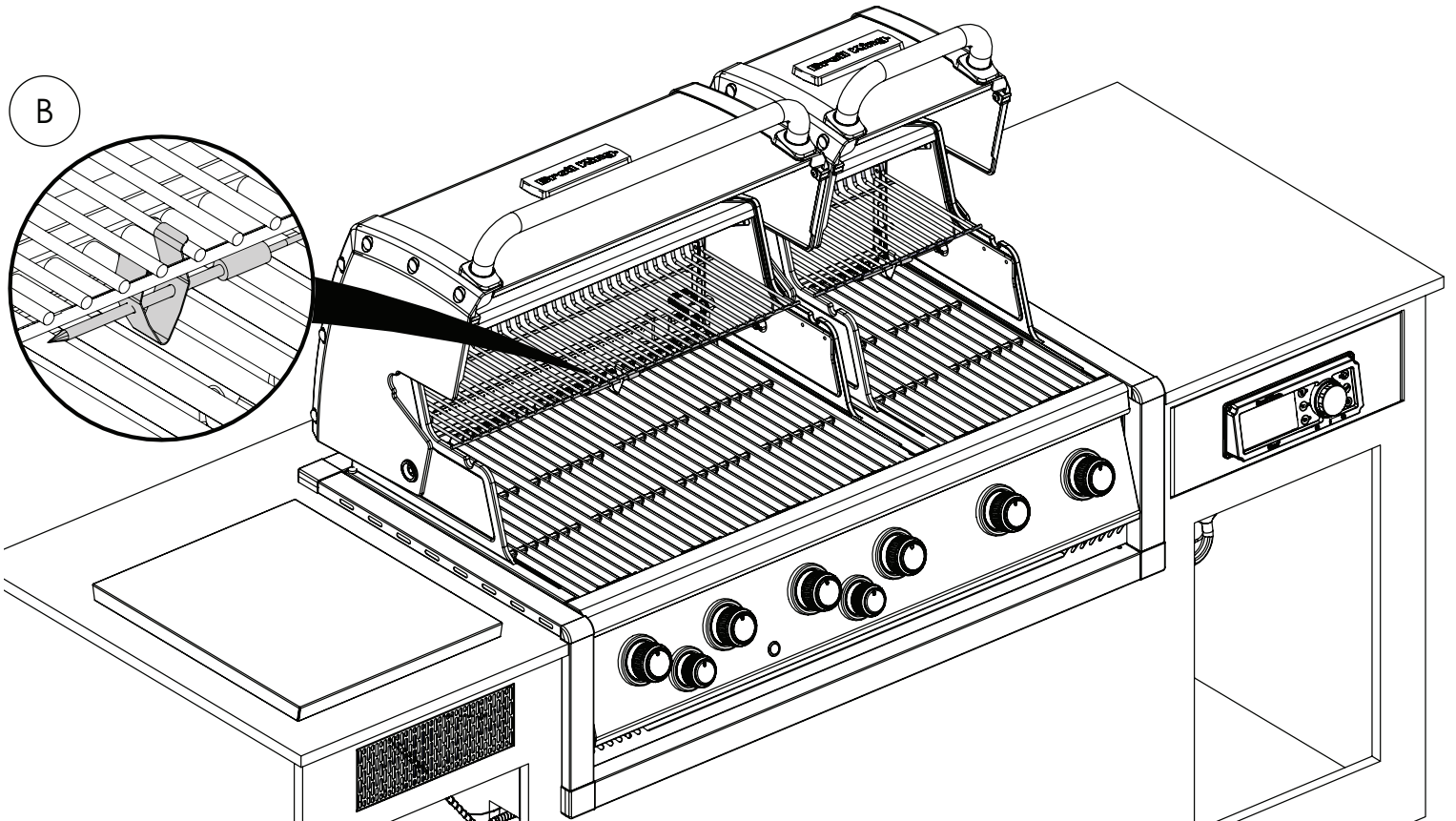
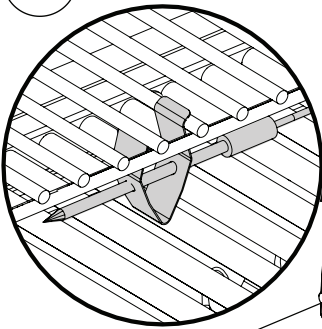
(2)



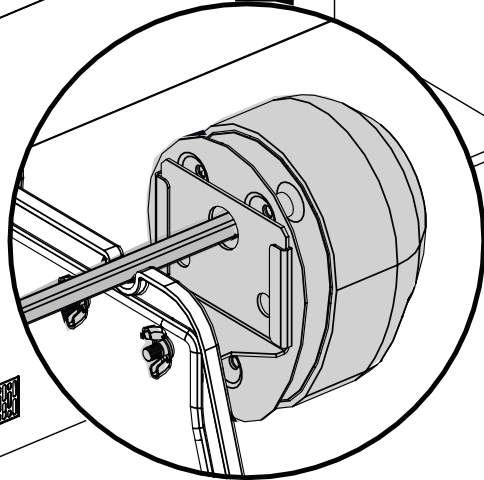
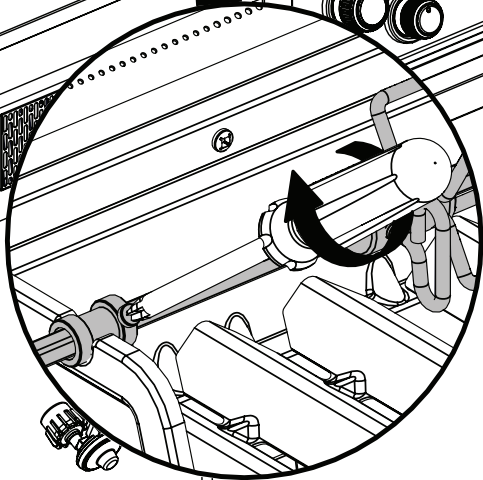
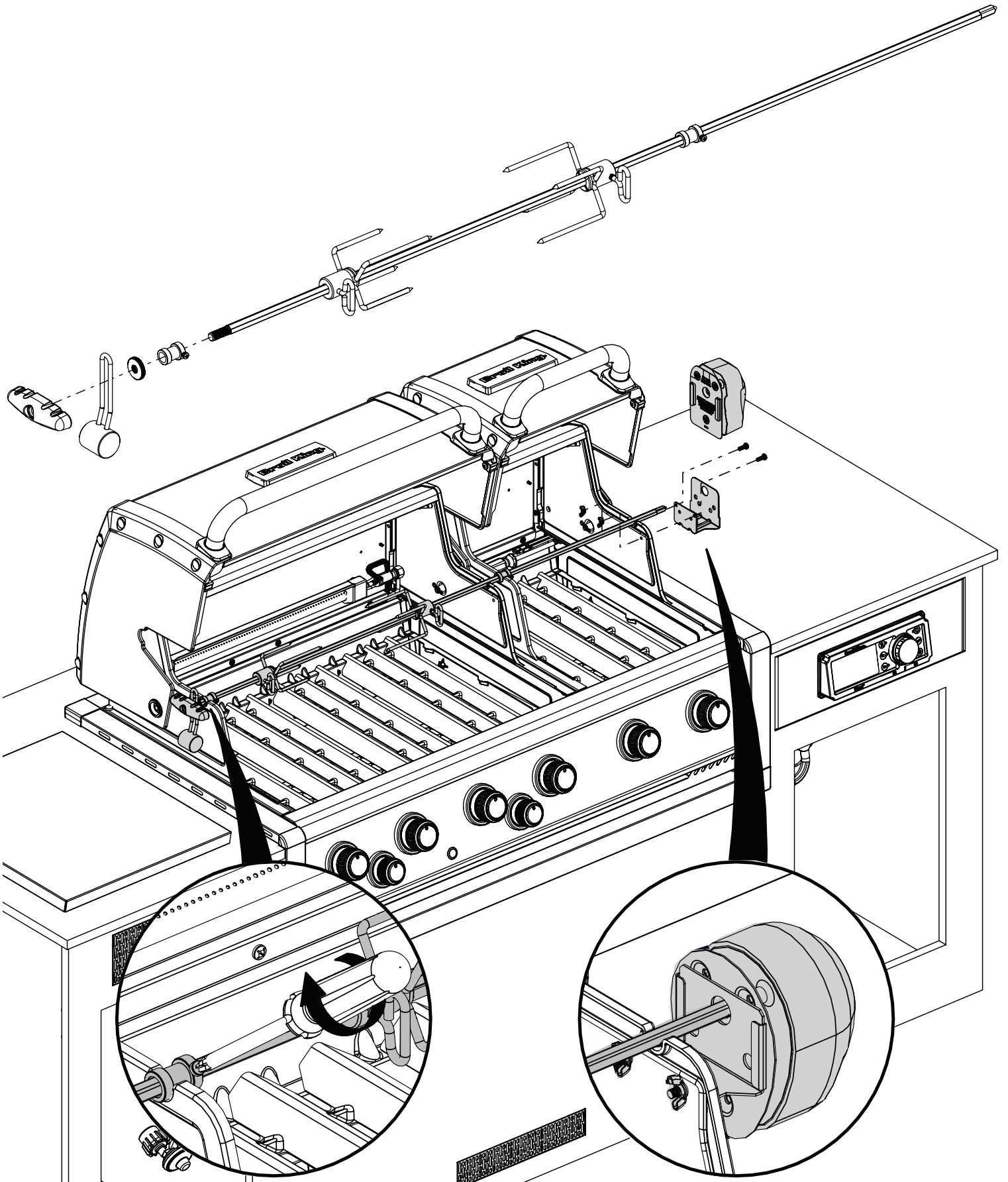
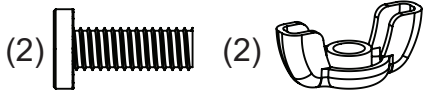
A

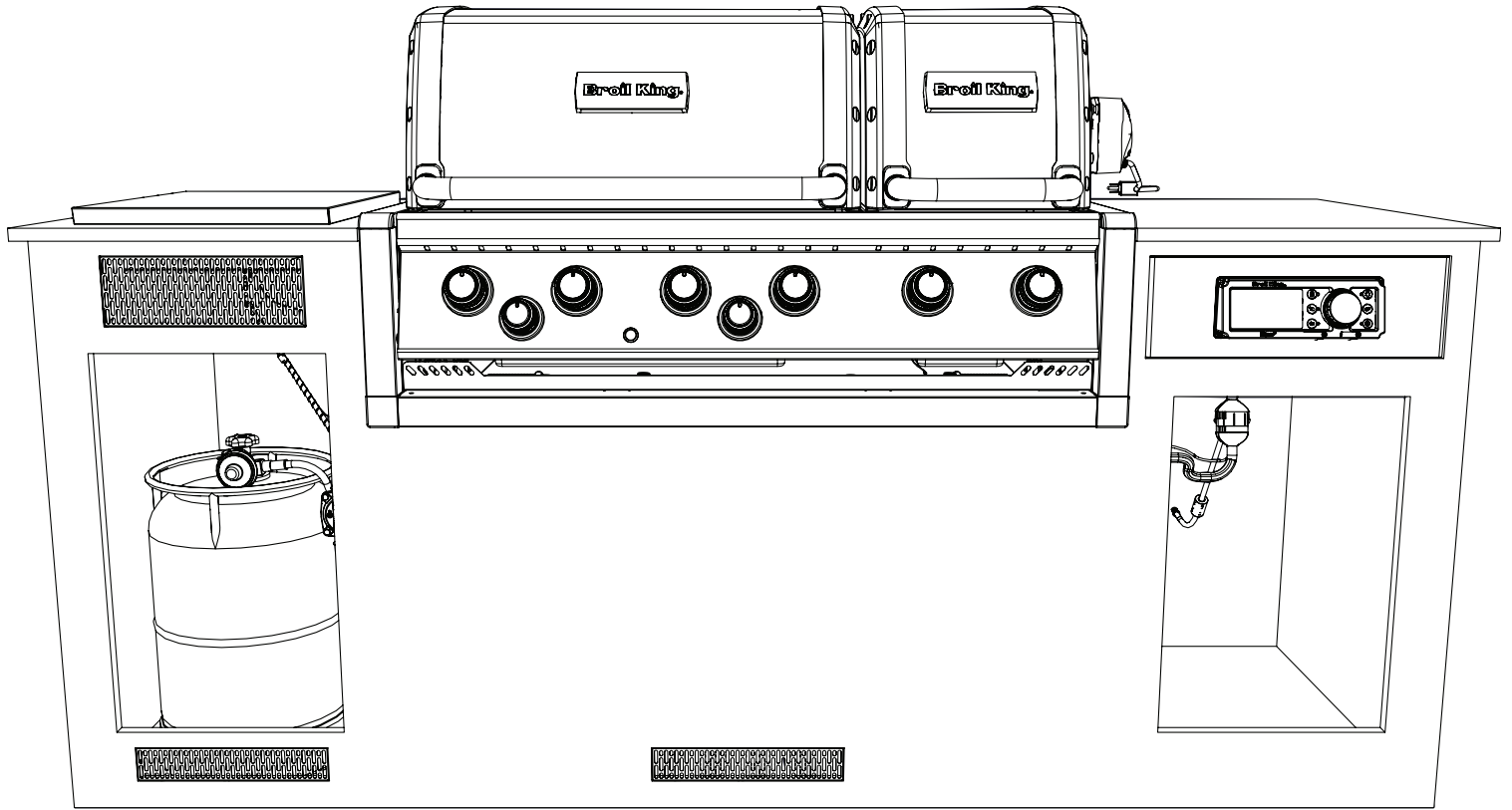


B



18





| <u>KEY #</u> | <u>ITEM #</u> | <u>6967-82DE</u> | <u>6967-83CH</u> | <u>6967-86CH</u> |
|--------------|---------------|------------------|------------------|------------------|
| | | | <u>6967-83EU</u> | <u>6967-86DE</u> |
| | | | <u>6967-83UK</u> | <u>6967-86EU</u> |
| | | | | <u>6967-86UK</u> |
| 1 | 72008-703 | 1 | 1 | 1 |
| 1A | 72003-703 | 1 | 1 | 1 |
| 2 | 87305-303 | 1 | 1 | 1 |
| 2A | 87303-303 | 1 | 1 | 1 |
| 5 | 27249-904 | 6 | 6 | 6 |
| 7 | Y-11544S | 6 | 6 | 6 |
| 8 | S21242 | 6 | 6 | 6 |
| 18 | 22005-283 | 6 | 6 | 6 |
| 20 | 22005-992 | 1 | 1 | 1 |
| 20A | 22003-992 | 1 | 1 | 1 |
| 22 | 12025-103 | 1 | 1 | 1 |
| 22A | 12023-103 | 1 | 1 | 1 |
| 24 | 22051-91A | 8 | 8 | 8 |
| 25 | 22929-103LP | 6 | 6 | • |
| | 22929-103NG | • | • | 6 |
| 26 | 22001-765A | 6 | 6 | 6 |
| 26A | 22001-665A | 2 | 2 | 2 |
| 27 | 22002-263 | 6 | 6 | 6 |
| 27A | 22001-163 | 2 | 2 | 2 |
| 28 | 22058-493 | 1 | 1 | 1 |
| 31 | 10111-19A | 1 | 1 | 1 |
| 32 | 10109-R14A | 1 | 1 | 1 |
| 34 | Y-11230 | 1 | 1 | 1 |
| 35 | 29258-074 | 1 | 1 | • |
| | 29258-077 | • | • | 1 |
| 36 | 70342-20 | 1 | 1 | 1 |
| 36A | 70342-63 | 1 | 1 | 1 |
| 38 | Y-11990 | 1 | 1 | 1 |
| 40 | 10153-45 | • | • | 1 |
| 43 | 10342-E13 | 1 | 1 | 1 |
| 43A | 10342-E22 | 1 | 1 | 1 |
| 43B | 10342-E38 | 1 | 1 | 1 |
| 44 | 10342-45 | 1 | 1 | 1 |
| 44A | 25070-927 | 1 | 1 | 1 |
| 44B | 25070-93 | 1 | 1 | 1 |
| 45 | 72039-903 | 1 | 1 | 1 |
| 46 | 72049-603 | 1 | 1 | 1 |
| 47 | 71209-033 | 2 | 2 | 2 |
| 48 | 72055-007 | 1 | 1 | 1 |
| 48A | 72053-007 | 1 | 1 | 1 |
| 49 | 71068-003RA | 1 | 1 | 1 |
| 51 | 22009-103 | 6 | 6 | 6 |
| 52 | 73170-013 | 2 | 2 | 2 |
| 53 | 73170-023 | 2 | 2 | 2 |

| <u>KEY #</u> | <u>ITEM #</u> | <u>6967-82DE</u> | <u>6967-83CH</u> | <u>6967-86CH</u> |
|--------------|---------------|------------------|------------------|------------------|
| | | | <u>6967-83EU</u> | <u>6967-86DE</u> |
| | | | <u>6967-83UK</u> | <u>6967-86EU</u> |
| | | | | <u>6967-86UK</u> |
| 56 | 24005-12A | 1 | 1 | 1 |
| 56A | 24003-12A | 1 | 1 | 1 |
| 58 | 54009-936 | 4 | 4 | 4 |
| 59 | 10081-BK614 | 2 | 2 | 2 |
| 61 | Y-12550 | 2 | 2 | 2 |
| 64 | Y-12552 | 2 | 2 | 2 |
| 65 | 20005-000 | 2 | 2 | 2 |
| 74 | Y-99101 | 2 | 2 | 2 |
| 80 | 71109-033R | 1 | 1 | 1 |
| 81 | 71109-043R | 1 | 1 | 1 |
| 84 | 70208-013 | 1 | 1 | 1 |
| 85 | S21084 | 7 | 7 | 7 |
| 88 | 71308-023 | 1 | 1 | 1 |
| 90 | 71628-003 | 1 | 1 | 1 |
| 101 | Y-12130 | 8 | 8 | 8 |
| 102 | Y-12131 | 2 | 2 | 2 |
| 114 | 71051-113R | 1 | 1 | 1 |
| 115 | 73109-051 | 1 | 1 | 1 |
| 123 | 73009-353 | 1 | 1 | 1 |
| 124 | 23000-271 | 1 | 1 | 1 |
| 125 | 23000-253 | 1 | 1 | 1 |
| 126 | 10390-R81A | 1 | 1 | 1 |
| 128 | 23009-99 | 1 | 1 | 1 |
| 130 | 27905-354 | 1 | 1 | 1 |
| 133 | S15278 | 1 | 1 | 1 |
| 135 | 10240-17 | 1 | 1 | 1 |
| 136 | S21128S | 16 | 16 | 16 |
| 137 | S15260 | 1 | 1 | 1 |
| 138 | S15287 | 2 | 2 | 2 |
| 139 | 20006-000 | 1 | 1 | 1 |
| 141 | Y-11559 | 4 | 4 | 4 |
| 145 | S21235 | 2 | 2 | 2 |
| 146 | S21233 | 3 | 3 | 3 |
| 147 | Y-11236 | 2 | 2 | 2 |
| 155 | S21124 | 6 | 6 | 6 |
| 156 | Y-12871 | 2 | 2 | 2 |
| 157 | Y-12835 | 2 | 2 | 2 |
| 158 | Y-12641 | 2 | 2 | 2 |
| 161 | Y-29304 | 25 | 25 | 25 |
| 162 | S35095 | 2 | 2 | 2 |
| 164 | Y-29307 | 2 | 2 | 2 |
| 166 | Y-29306 | 4 | 4 | 4 |
| 167 | Y-29301 | 20 | 20 | 20 |
| 169 | S21061 | 2 | 2 | 2 |

| <u>KEY #</u> | <u>ITEM #</u> | <u>6967-82DE</u> | <u>6967-83CH</u> | <u>6967-86CH</u> |
|--------------|---------------|------------------|------------------|------------------|
| | | | <u>6967-83EU</u> | <u>6967-86DE</u> |
| | | | <u>6967-83UK</u> | <u>6967-86EU</u> |
| | | | | <u>6967-86UK</u> |
| 171 | S15244 (UK) | • | 1 | 1 |
| | S15245 (CH) | • | 1 | 1 |
| | S15246 (EU) | 1 | 1 | 1 |
| 172 | S15508 | 1 | 1 | 1 |
| 173 | S21362 | 1 | 1 | 1 |
| 177 | Y-29299S | 4 | 4 | 4 |
| 179 | Y-12855 | 4 | 4 | 4 |
| 181 | 25053-70 | 1 | 1 | 1 |
| 182 | 25020-71 | 3 | 3 | 3 |
| 183 | 25080-42 | • | 1 | 1 |
| | 25080-43 | 1 | 1 | 1 |
| | 25080-44 | • | 1 | 1 |
| 184 | 25059-70 | 1 | 1 | 1 |
| 185 | 25030-72 | 1 | 1 | 1 |
| 186 | Y-12865 | 14 | 14 | 14 |
| 187 | 25051-71 | 1 | 1 | 1 |
| 188 | 25051-70 | 1 | 1 | 1 |
| 189 | 25080-34 | 1 | 1 | 1 |
| 190 | 25020-81 | 2 | 2 | 2 |
| 193 | Y-11239 | 4 | 4 | 4 |
| 194 | 29305-73A | 2 | 2 | 2 |
| 195 | 45301-951 | 2 | 2 | 2 |
| 196 | 25050-73 | 1 | 1 | 1 |
| 197 | 42309-64A | 2 | 2 | 2 |
| 198 | 25050-80 | 2 | 2 | 2 |
| 199 | 43209-88 | 1 | 1 | 1 |
| 200 | 43209-91A | 1 | 1 | 1 |

