

# Broil King®

---

---



## Broil King Imperial™

590 IR  
9987-82IR  
9987-83IR  
9987-86IR



## Broil King Imperial™

S 590 IR  
9989-82  
9989-83  
9989-86

---

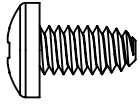
---

*Onward*  
MANUFACTURING COMPANY  
SINCE 1906  
1000 EAST MARKET STREET  
HUNTINGTON, INDIANA, 46750, USA

20084-E36EU REV E 12/21

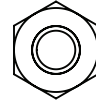
**HARDWARE INCLUDED**

Y-12865

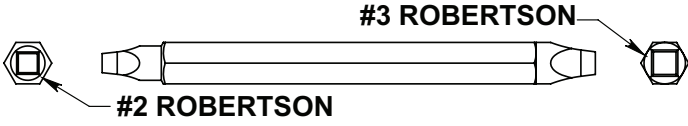


(24)

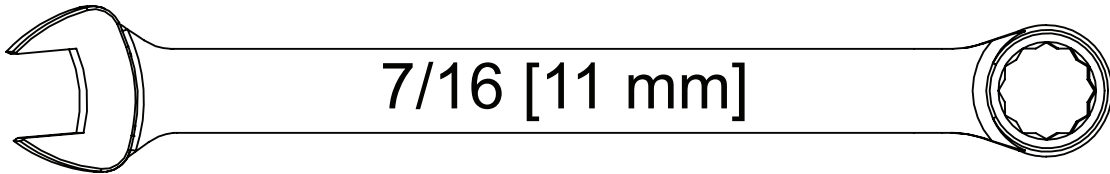
Y-11793



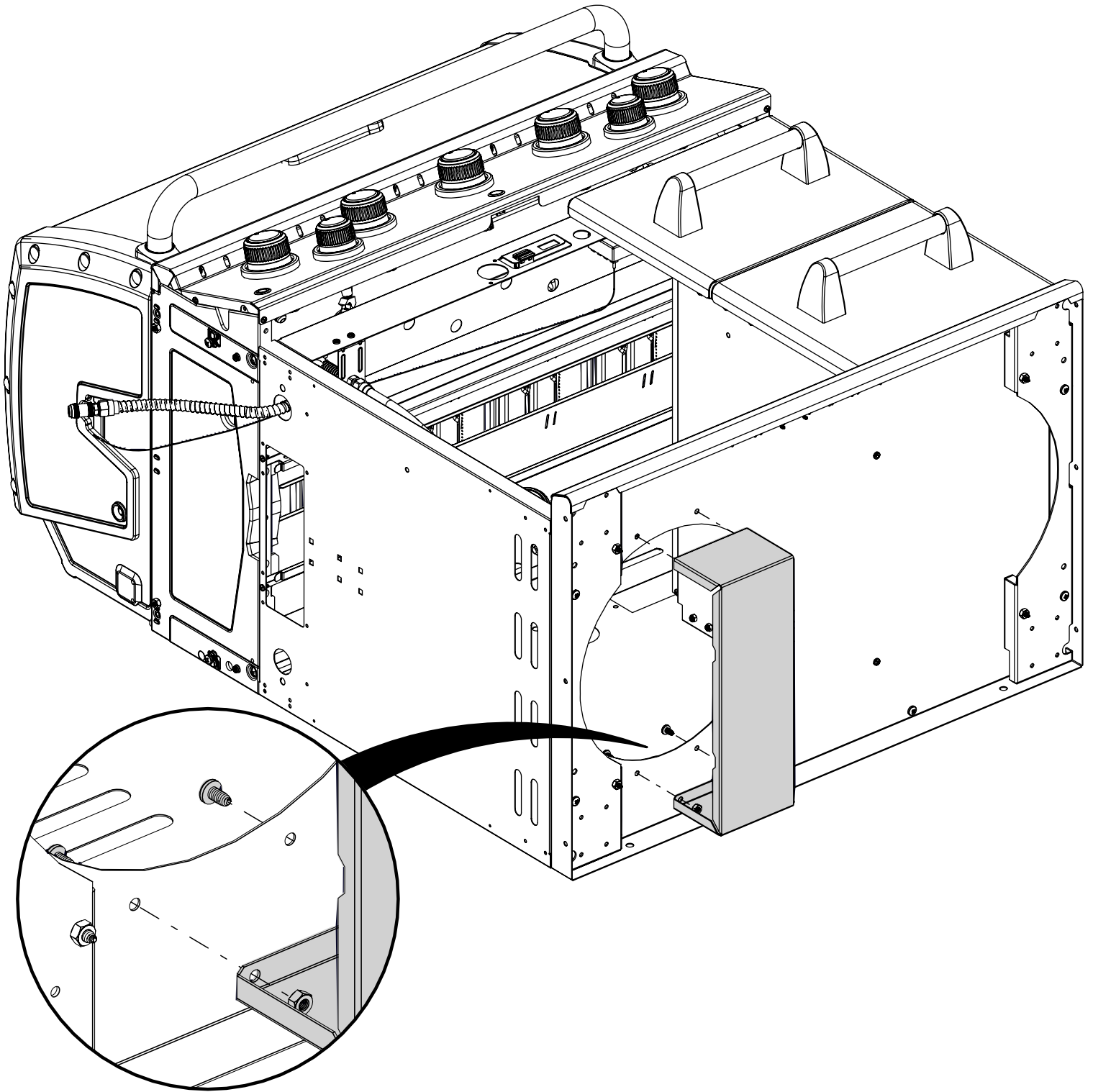
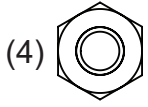
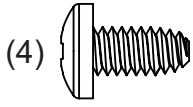
(8)



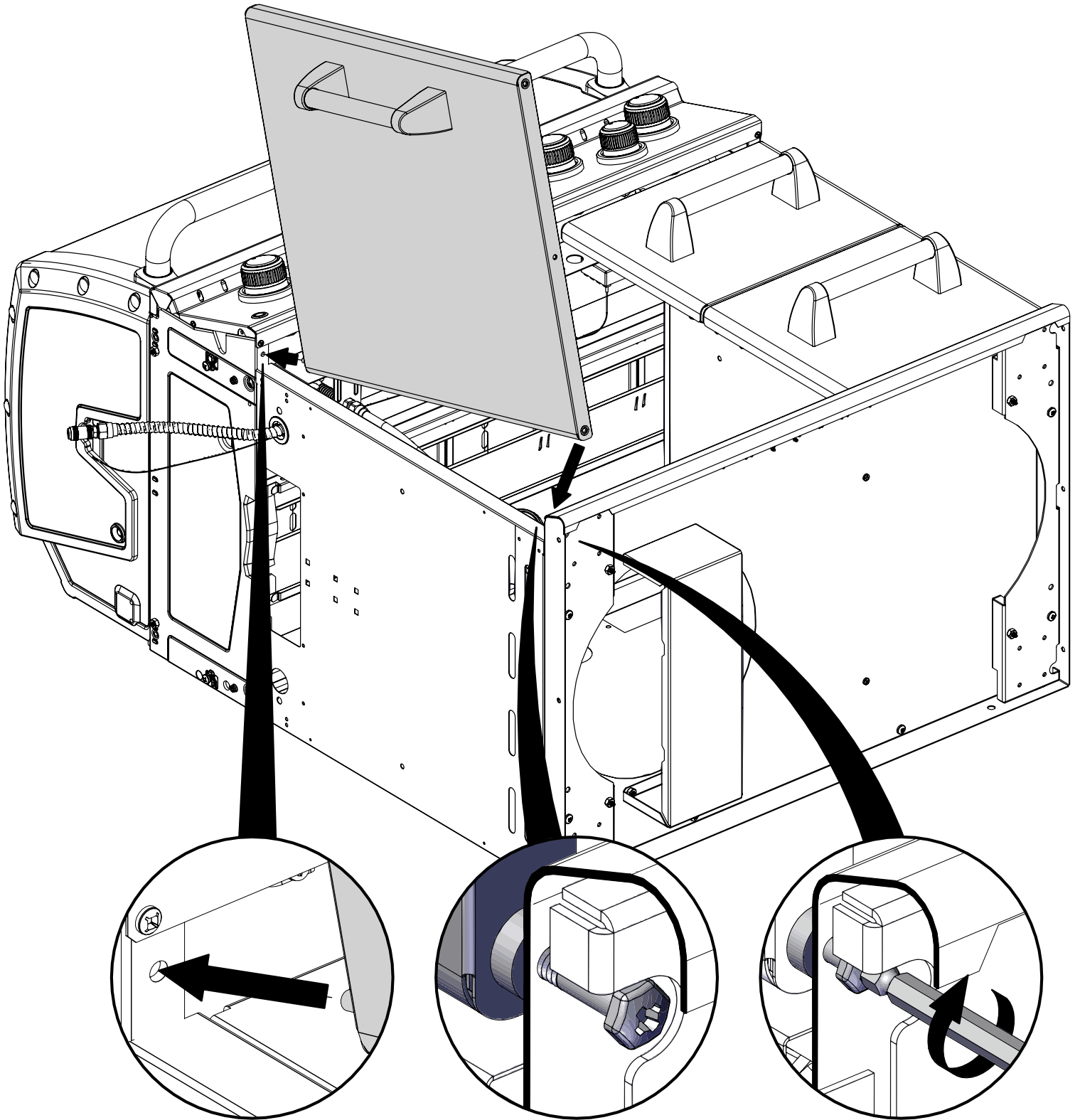
**TOOLS REQUIRED**



1

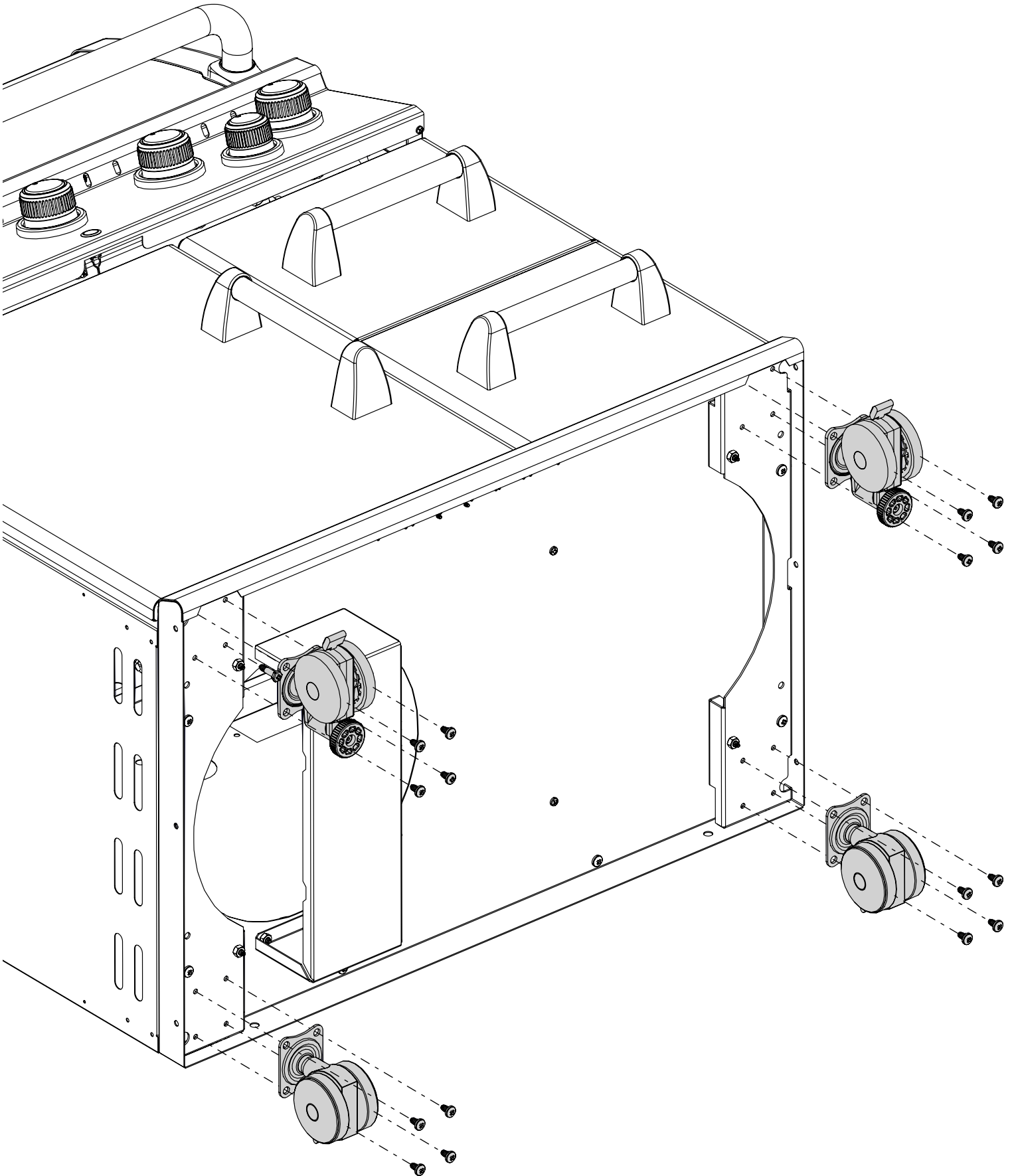
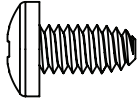


2

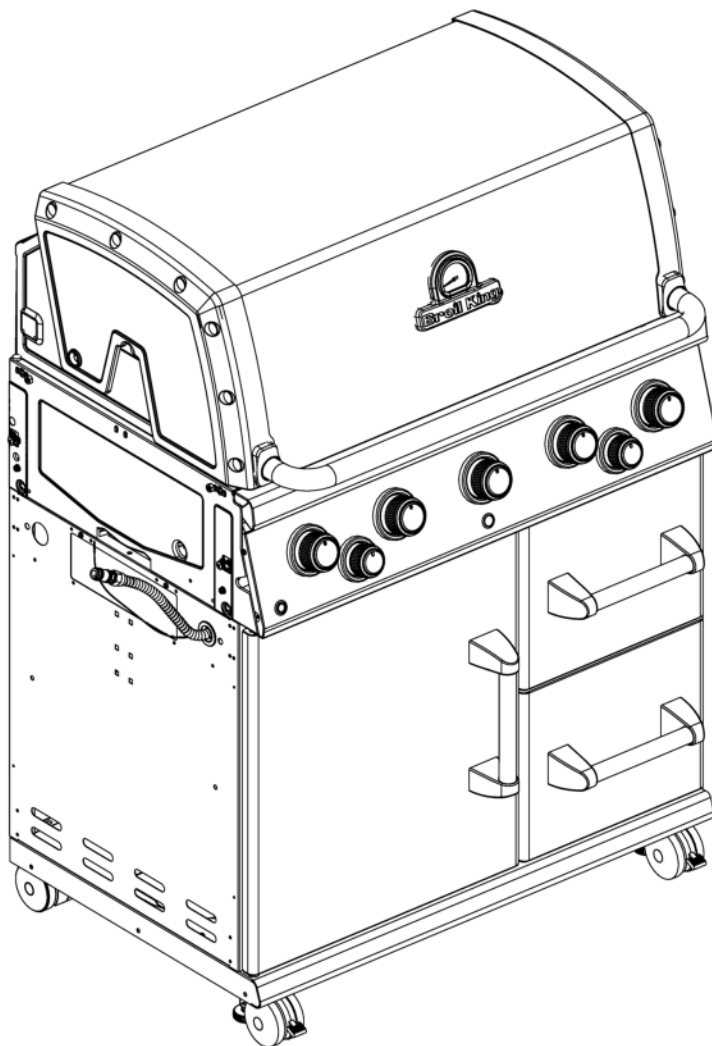
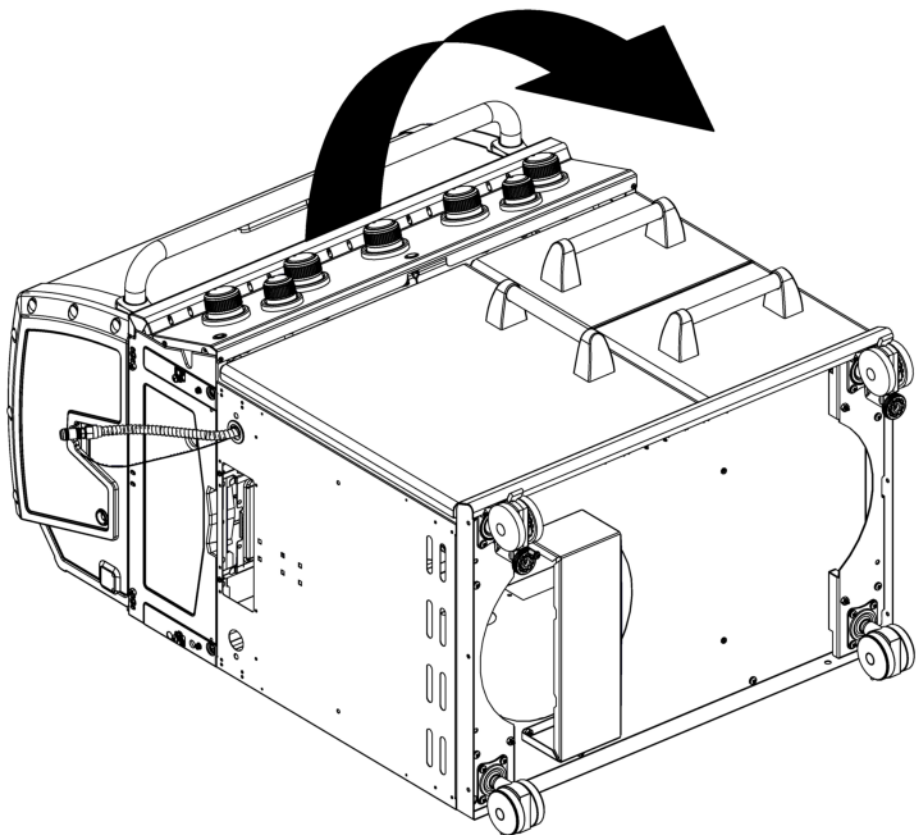


3

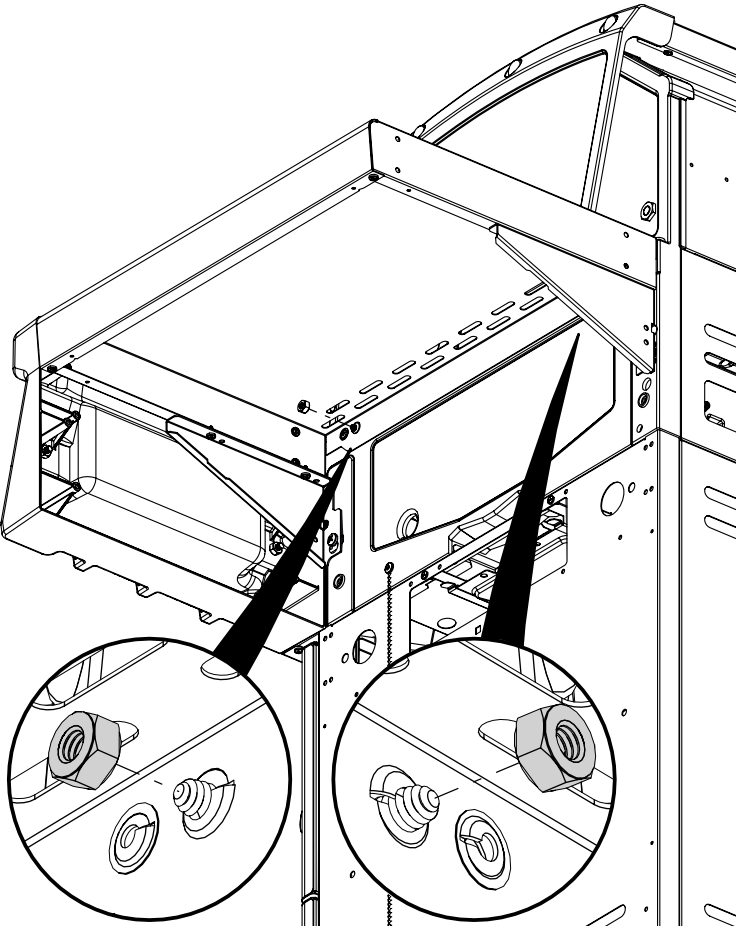
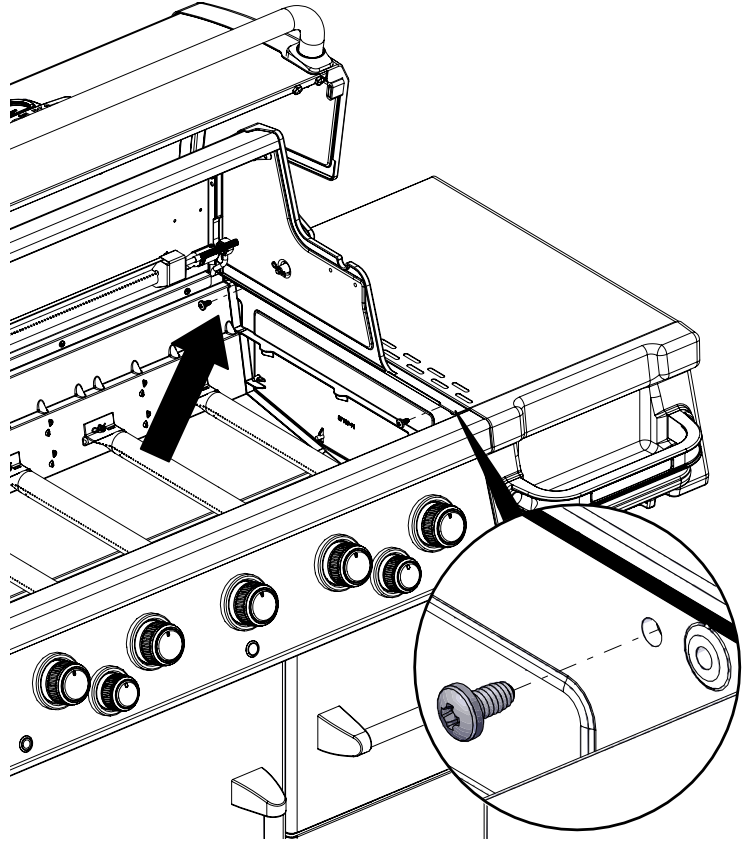
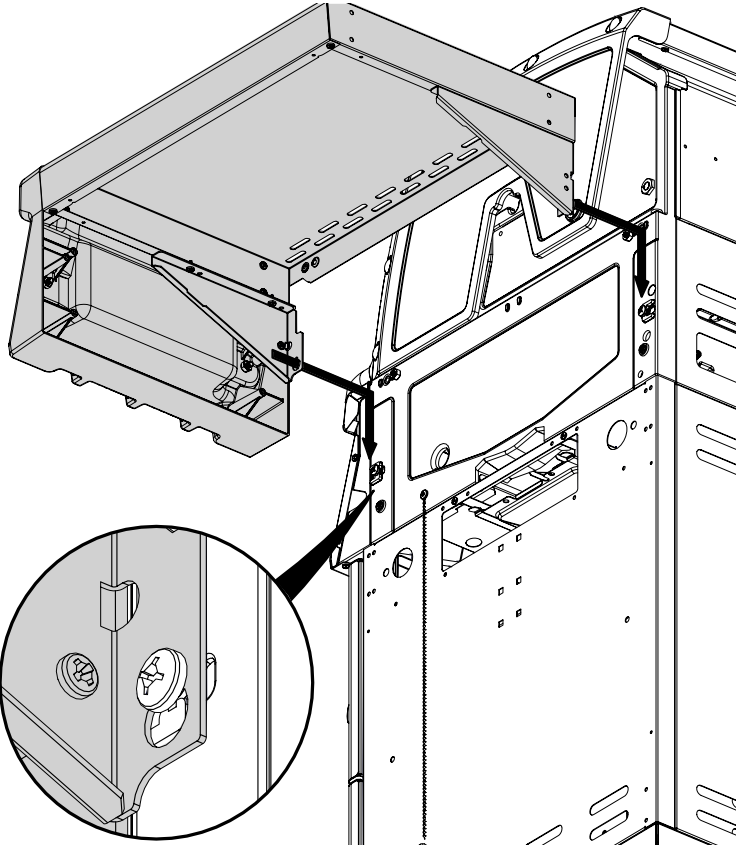
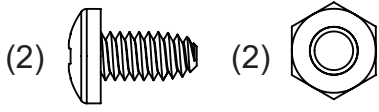
(16)



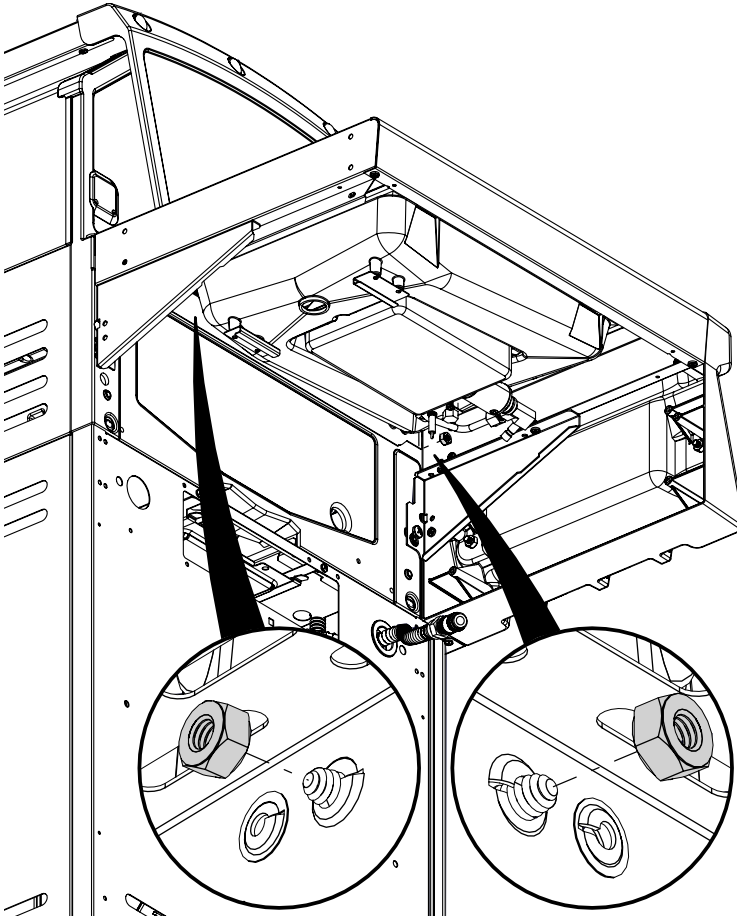
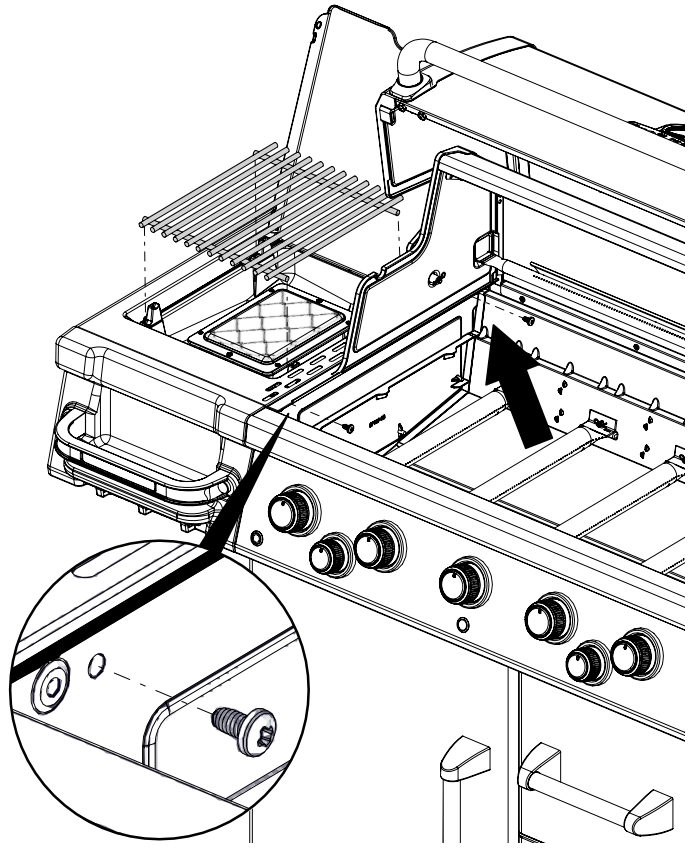
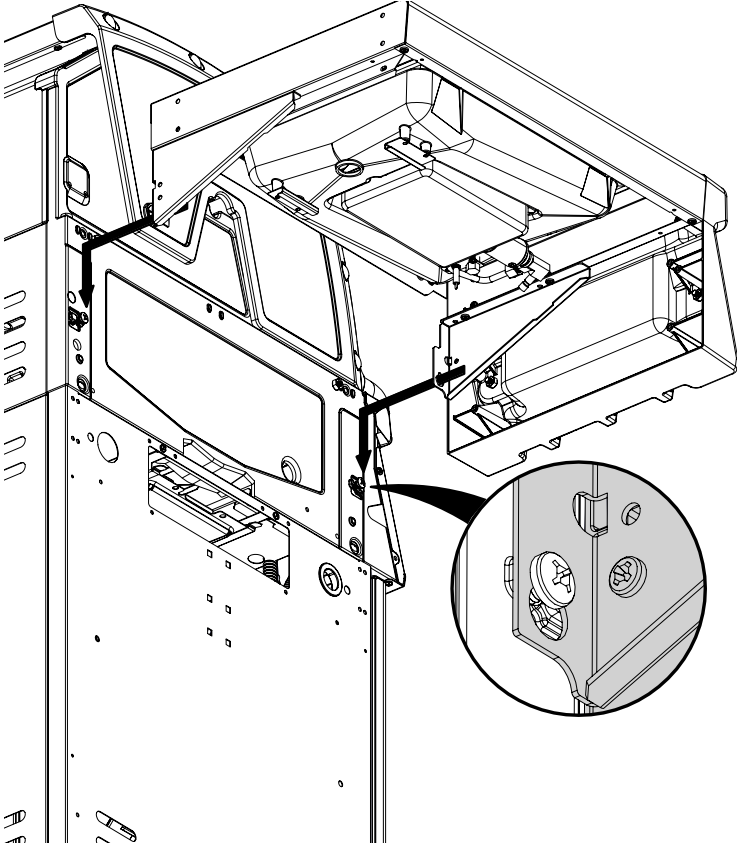
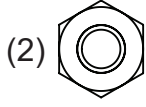
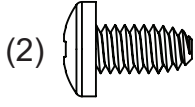
4



5

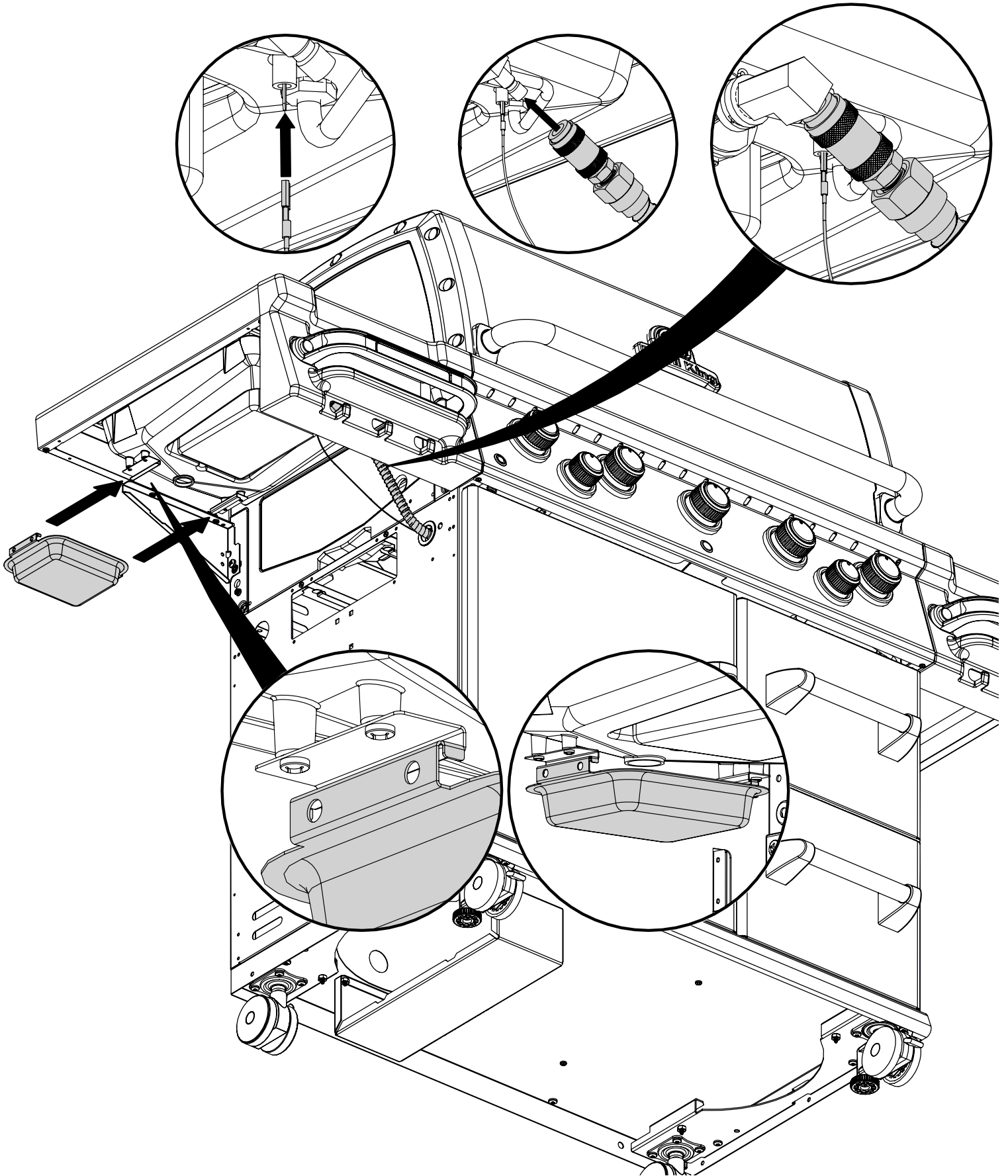


6

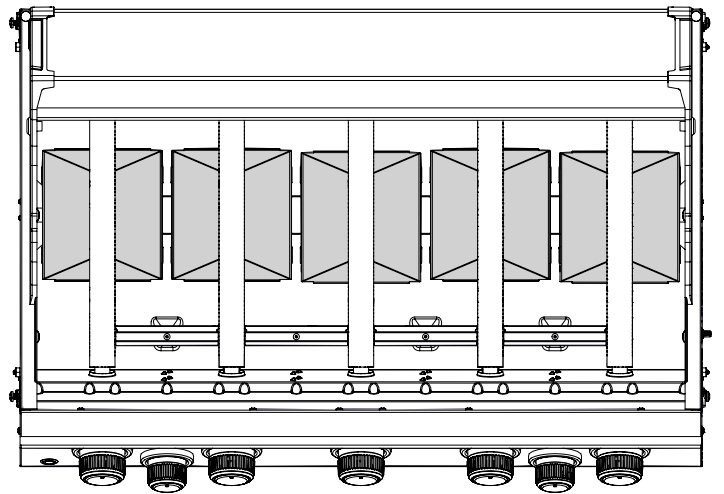
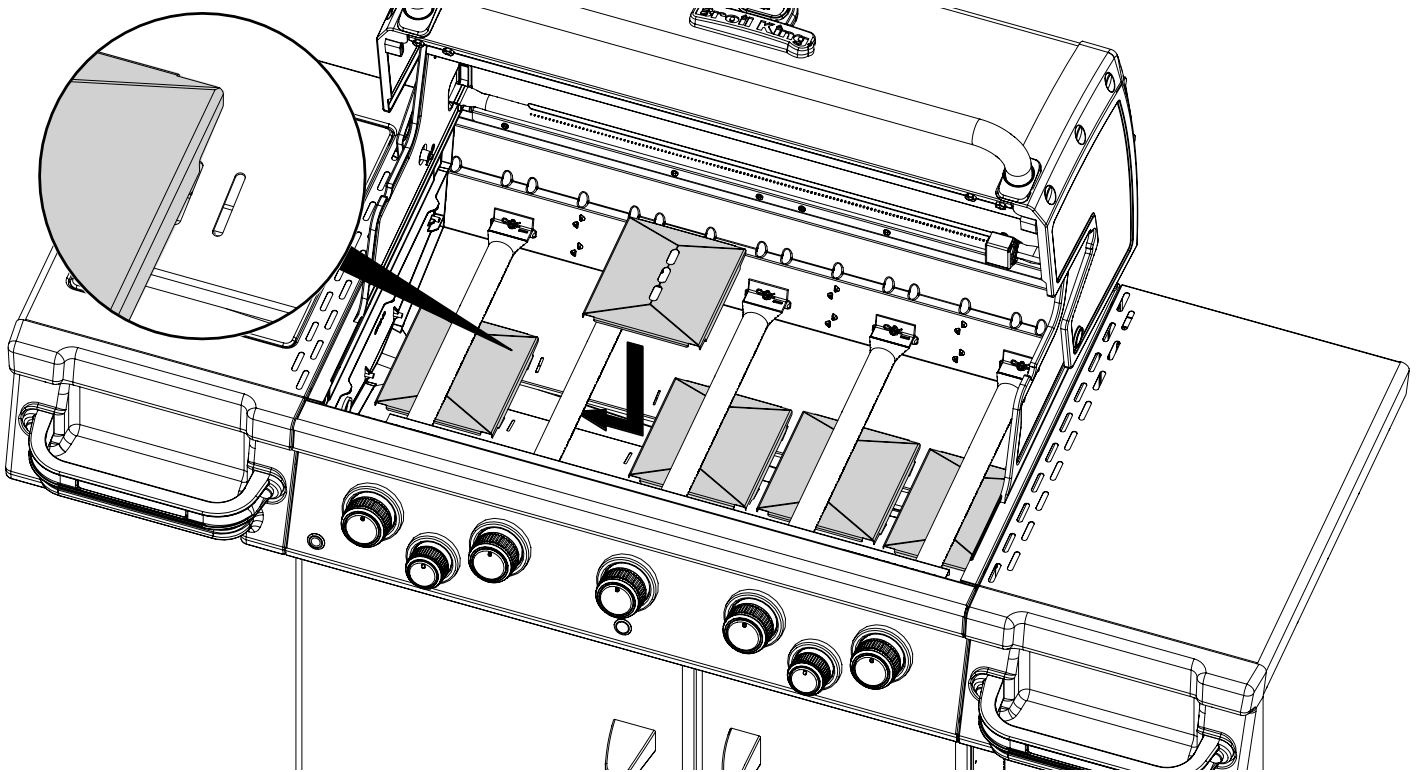
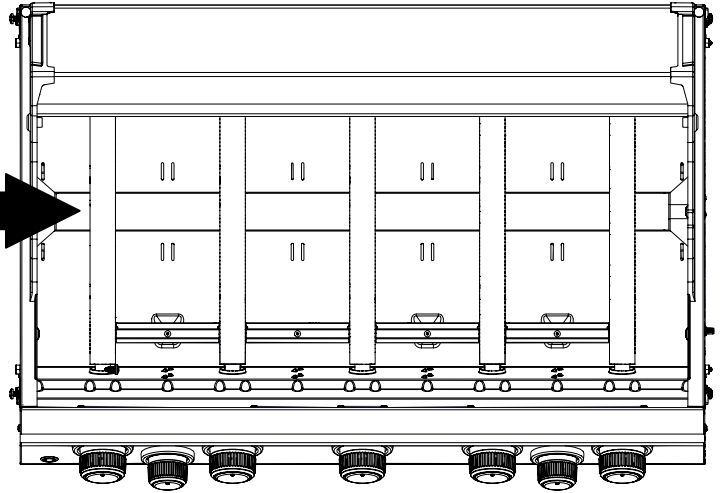
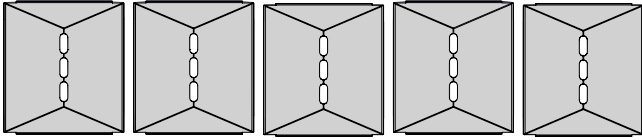


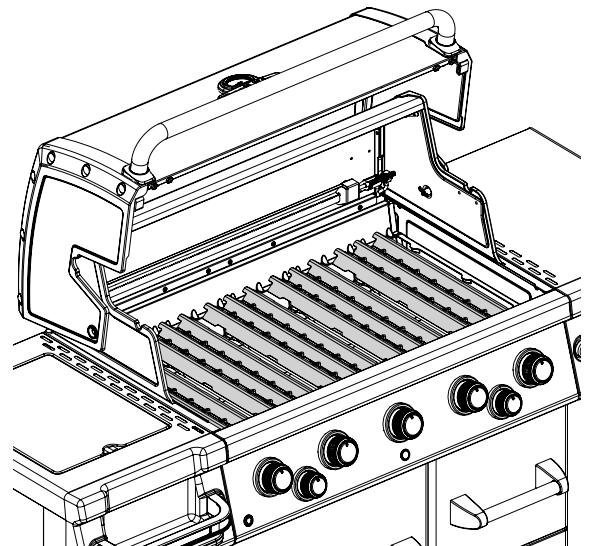
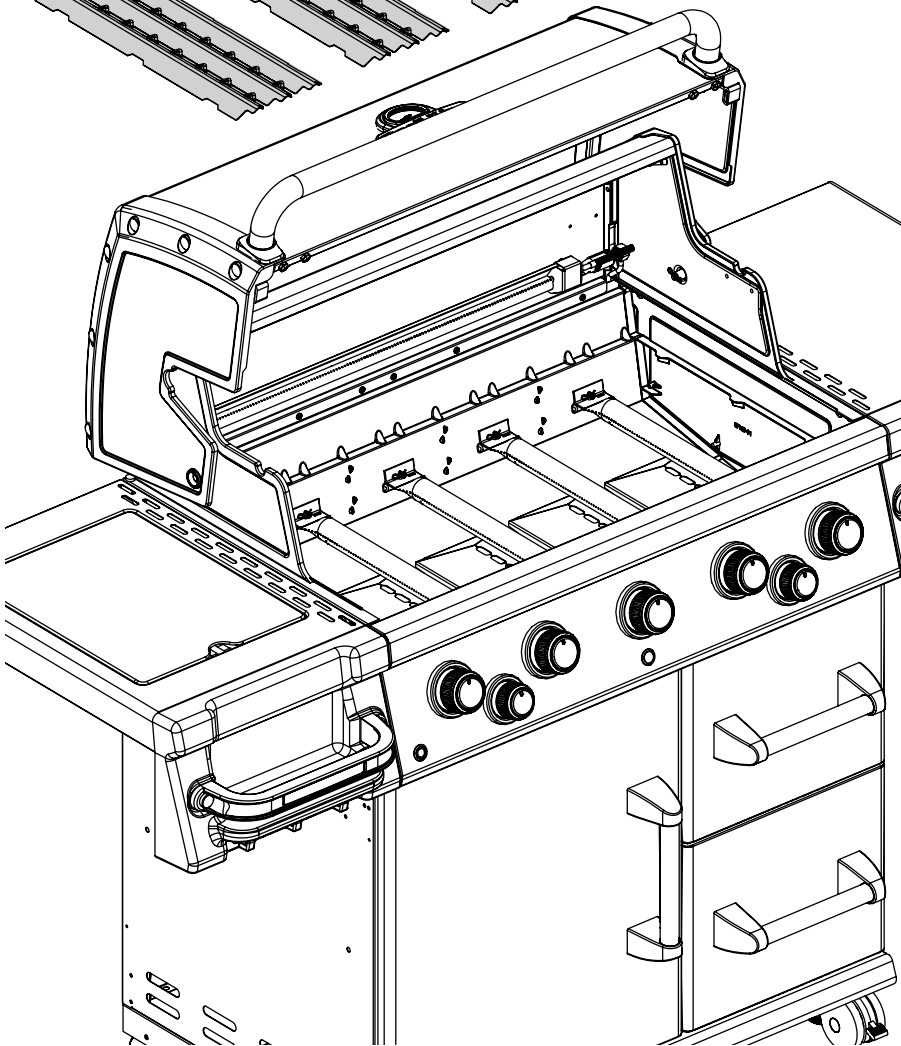
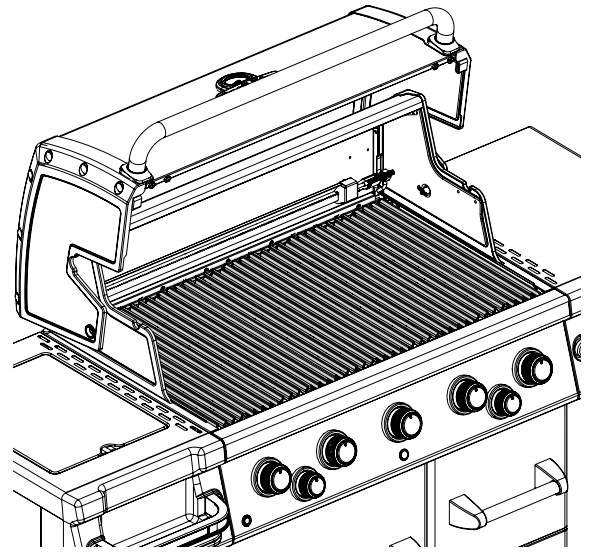
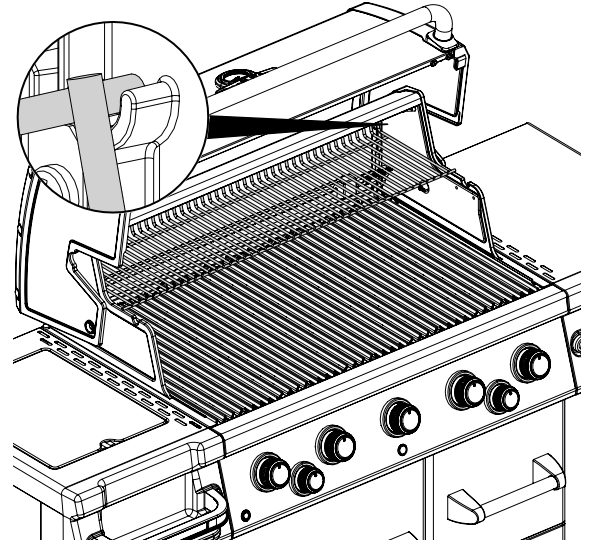
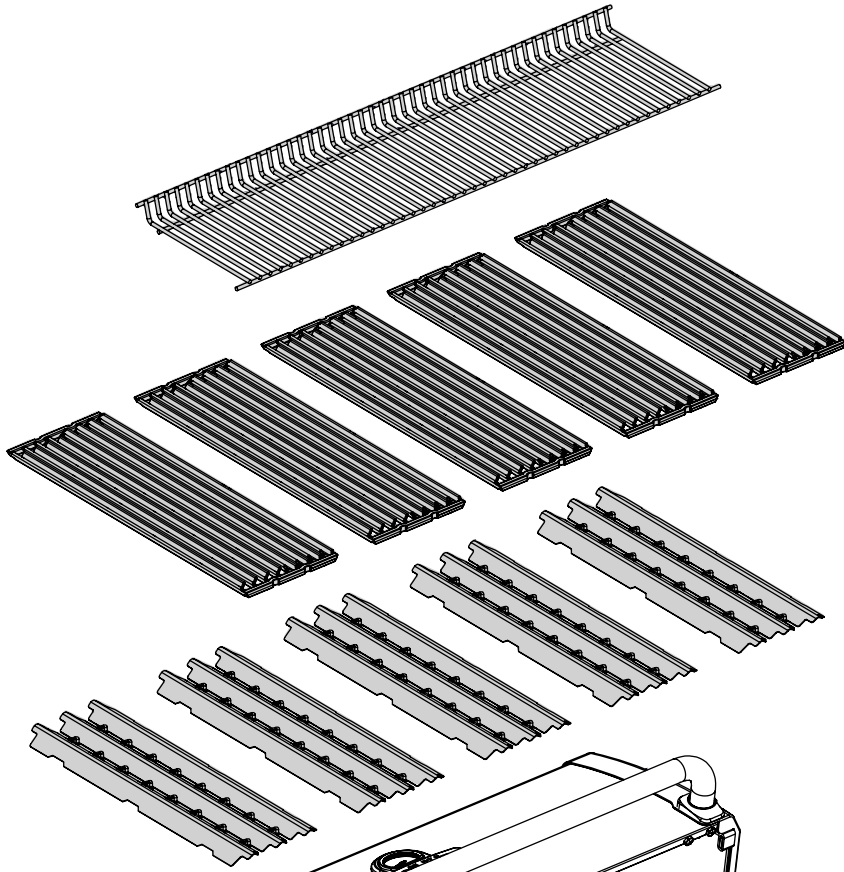


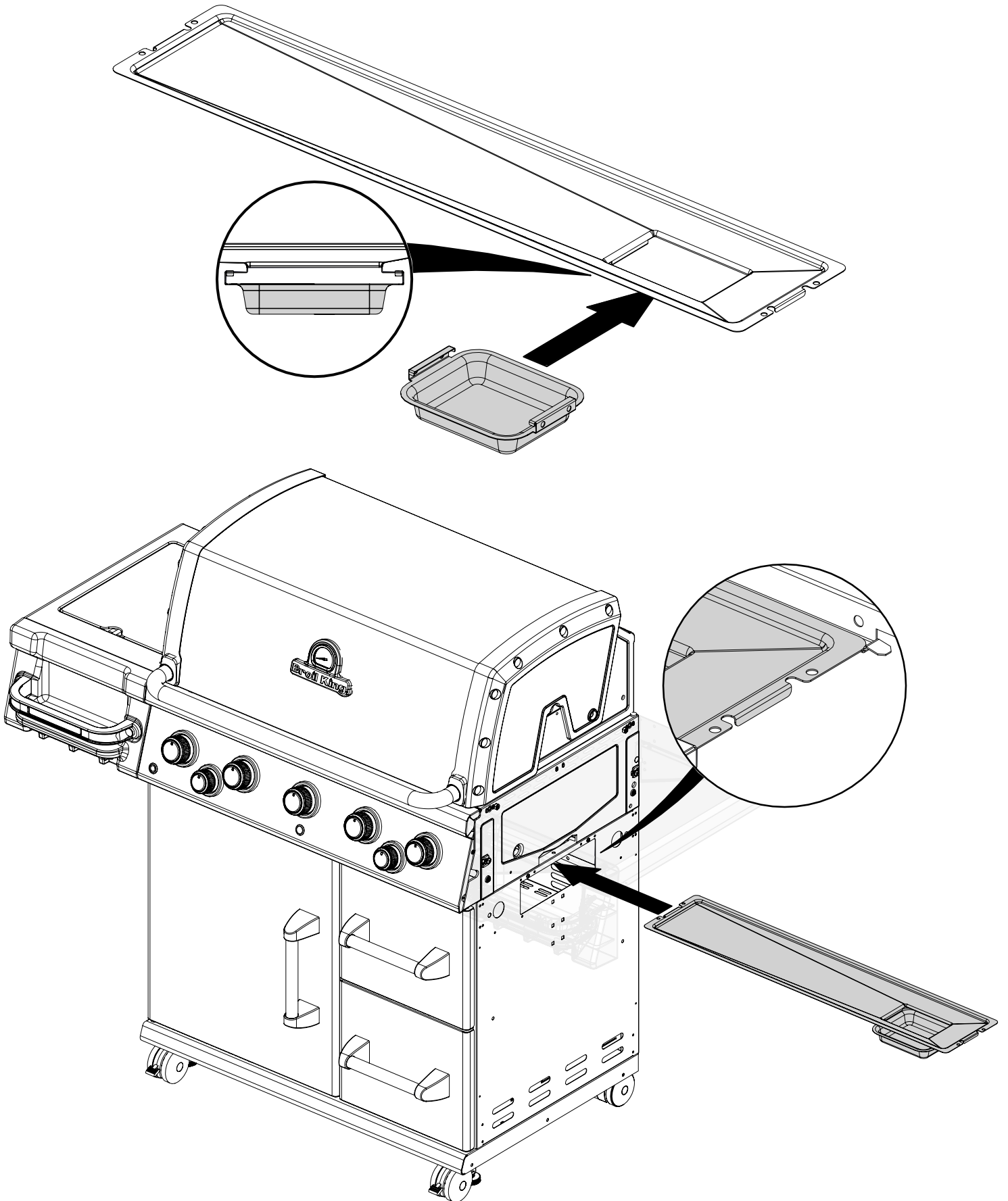
7



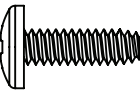
8

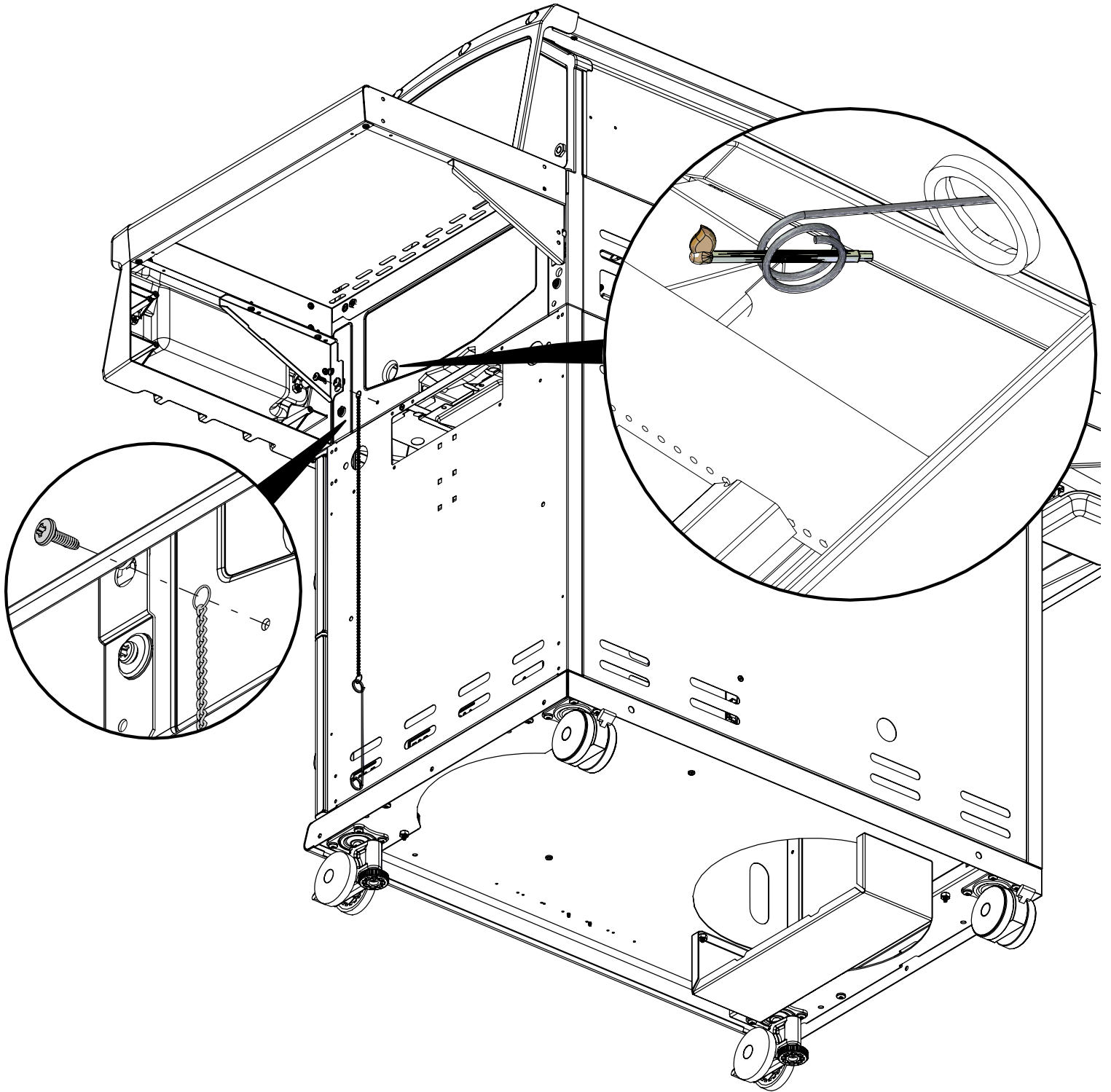




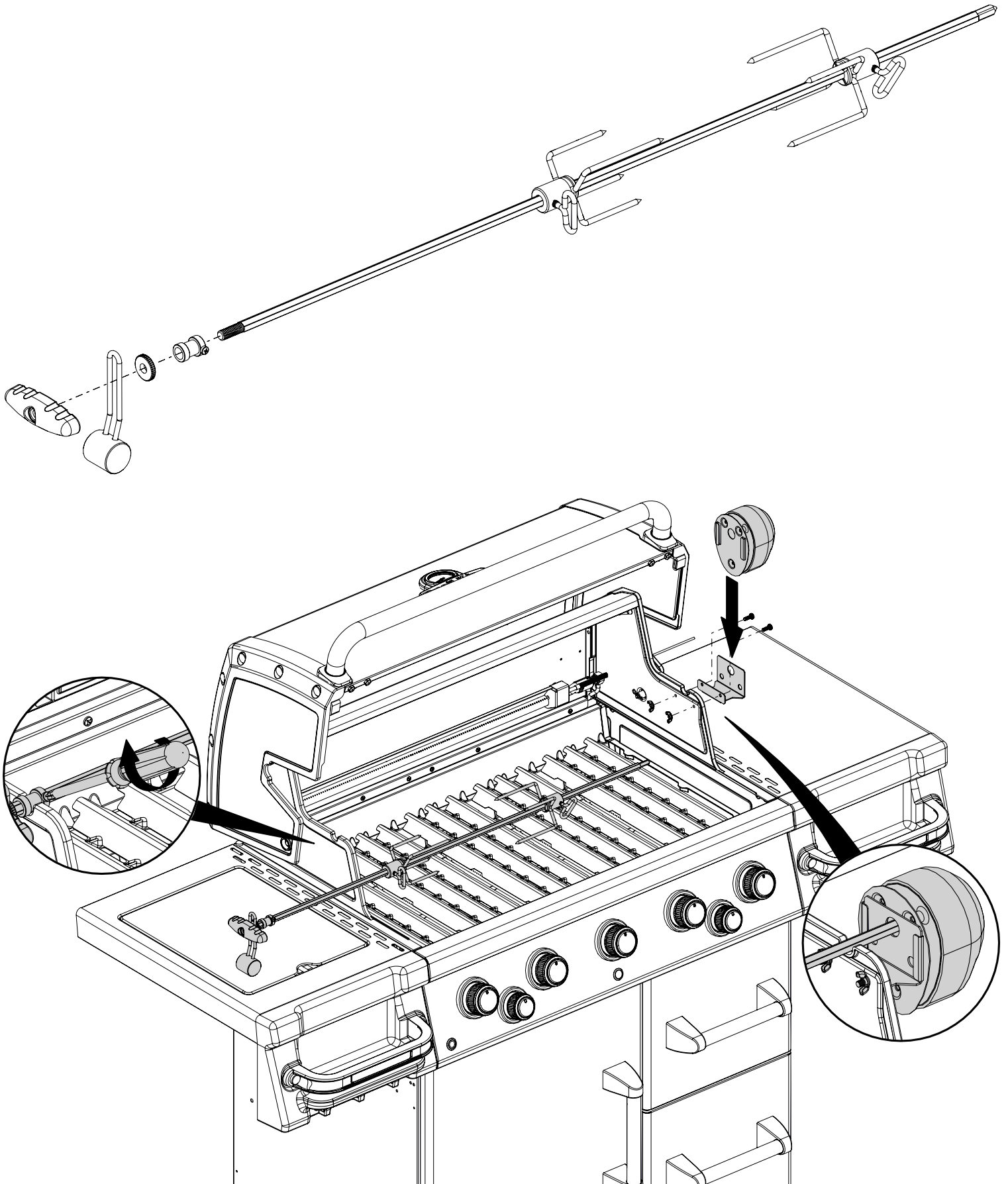


# 11

(1)  (1)

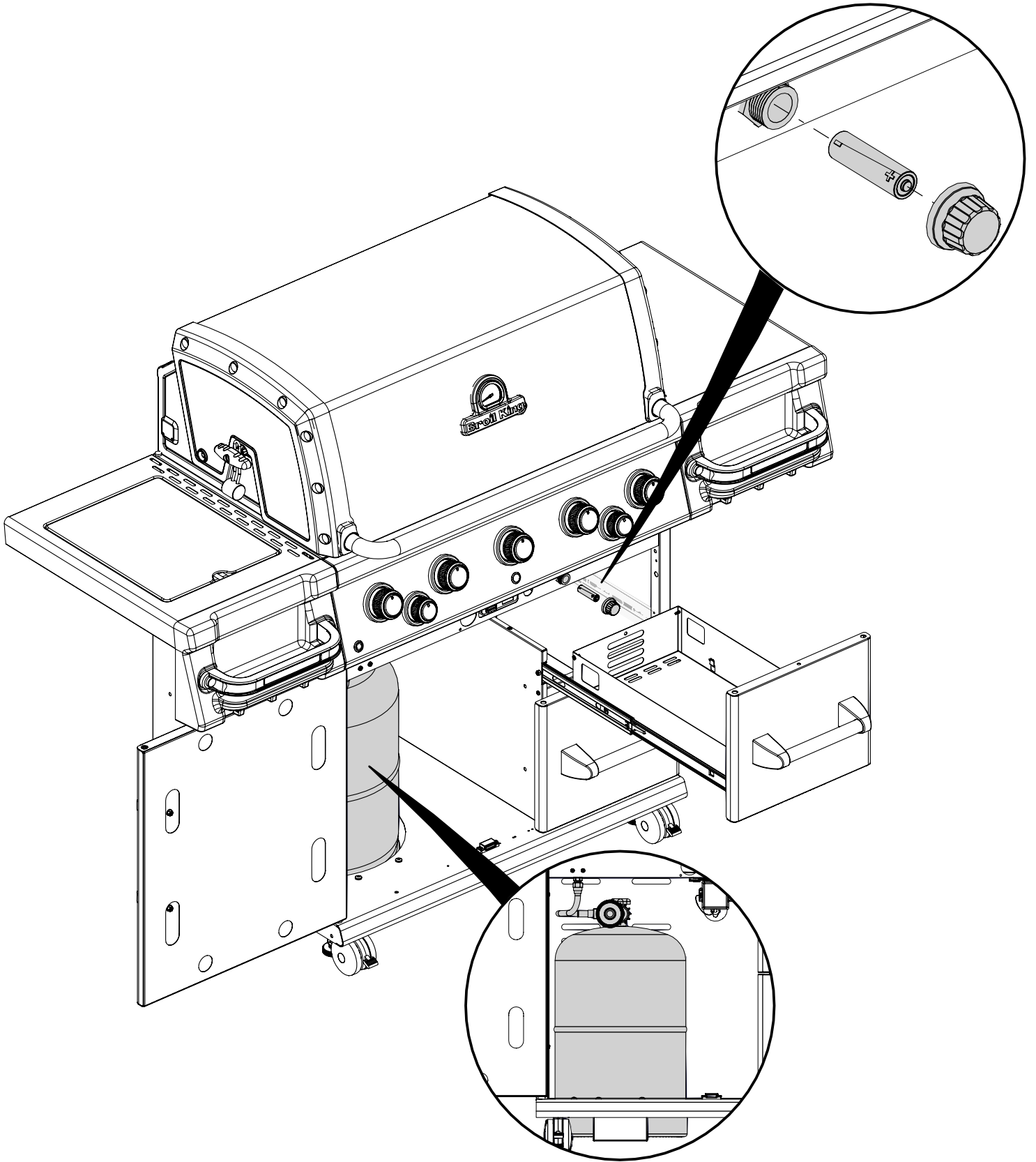
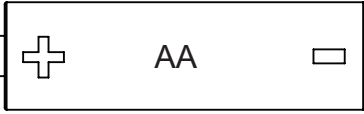


# 12

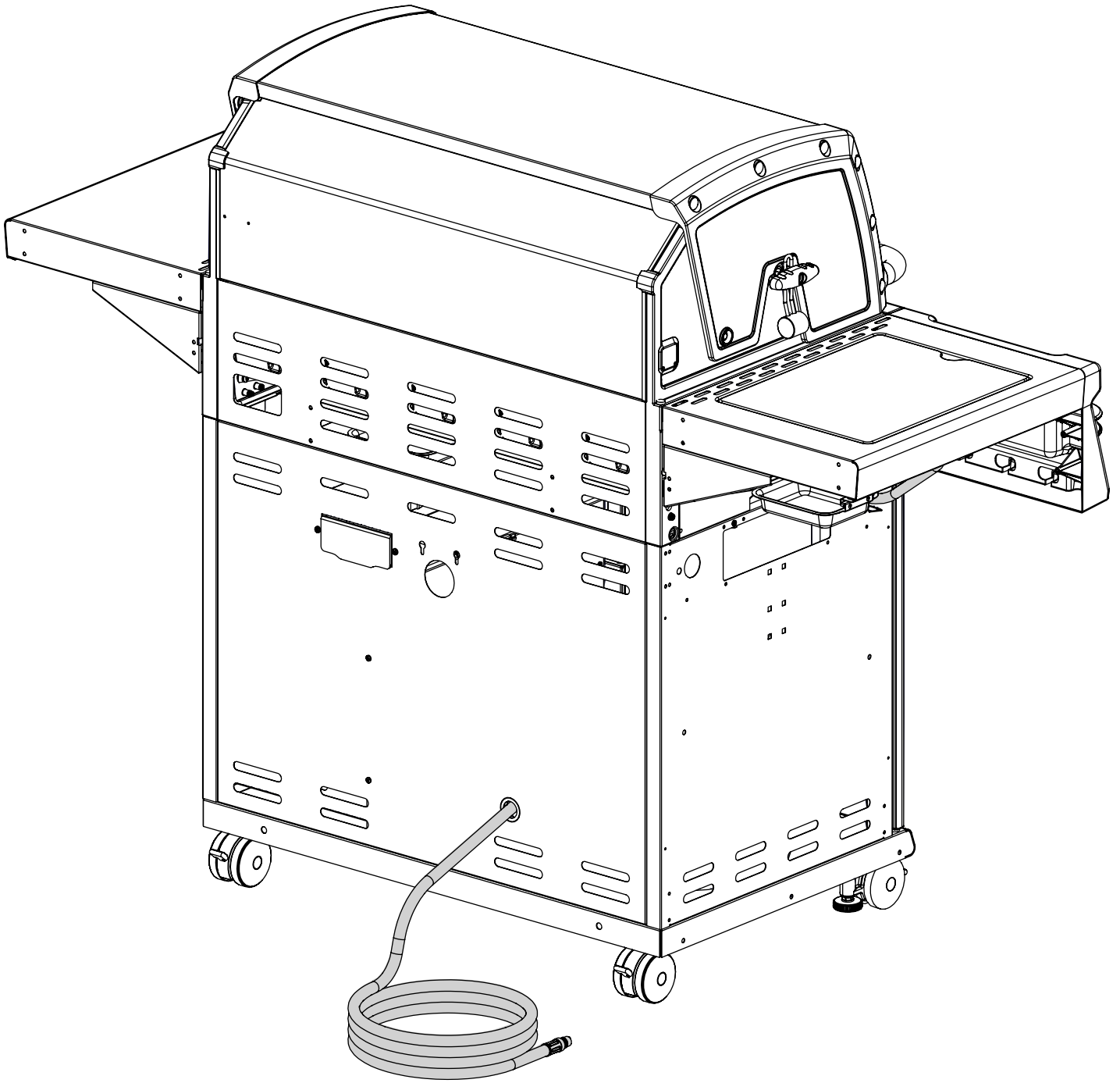


# 13

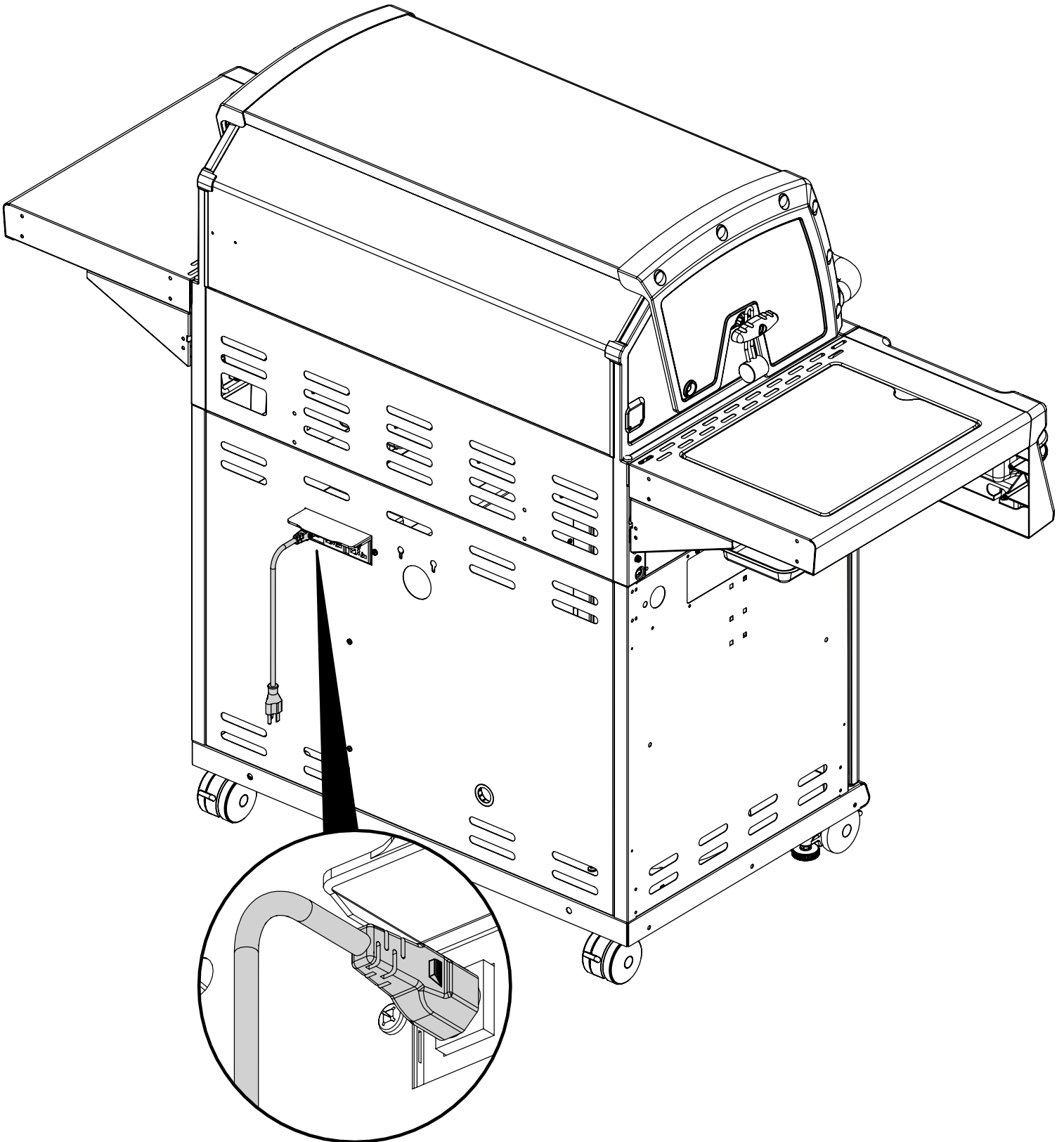
(1)



14







**PARTS LIST / LISTE DES PIECES**

| <u>KEY #</u> | <u>ITEM #</u> | <u>DESCRIPTION</u>         | <u>9987-82IR</u> | <u>9987-83IR</u> | <u>9987-86IR</u> | <u>9989-82</u> | <u>9989-83</u> | <u>9989-86</u> |
|--------------|---------------|----------------------------|------------------|------------------|------------------|----------------|----------------|----------------|
| 1            | 27006-703S    | FIRE BOX ASSEMBLY          | 1                | 1                | 1                | 1              | 1              | 1              |
| 2            | 86006-301     | LID ASSEMBLY               | 1                | 1                | 1                | •              | •              | •              |
|              | 86006-303     | LID ASSEMBLY               | •                | •                | •                | 1              | 1              | 1              |
| 5            | 27249-904     | GREASE SHIELD              | 5                | 5                | 5                | 5              | 5              | 5              |
| 7            | Y-11544S      | BURNER SCREW               | 5                | 5                | 5                | 5              | 5              | 5              |
| 8            | S21242        | BURNER CLIP                | 5                | 5                | 5                | 5              | 5              | 5              |
| 18           | 22005-283     | GRID - CAST SS             | 5                | 5                | 5                | 5              | 5              | 5              |
| 20           | 22006-992     | GRID - WARMING RACK        | 1                | 1                | 1                | 1              | 1              | 1              |
| 22           | 22026-904     | COLLECTOR BOX              | 1                | 1                | 1                | 1              | 1              | 1              |
| 25           | 22909-104D    | BURNER                     | 5                | •                | •                | 5              | •              | •              |
|              | 22909-104E    | BURNER                     | •                | 5                | •                | •              | 5              | •              |
|              | 22909-104NGE  | BURNER                     | •                | •                | 5                | •              | •              | 5              |
| 26           | 22001-769     | CONTROL KNOB               | 5                | 5                | 5                | 5              | 5              | 5              |
| 26A          | 22001-669     | CONTROL KNOB               | 2                | 2                | 2                | 2              | 2              | 2              |
| 27           | 22002-264     | CONTROL BEZEL              | 5                | 5                | 5                | 5              | 5              | 5              |
| 27A          | 22001-164     | CONTROL BEZEL              | 2                | 2                | 2                | 2              | 2              | 2              |
| 28           | 22026-493     | CONTROL COVER              | 1                | 1                | 1                | 1              | 1              | 1              |
| 29           | Y-12678       | BEZEL STOP                 | 1                | 1                | 1                | 1              | 1              | 1              |
| 30           | Y-12674       | KNOB ADAPTER               | 1                | 1                | 1                | 1              | 1              | 1              |
| 32           | 10111-15A     | PIGTAIL HOSE ASSEMBLY      | 1                | 1                | 1                | 1              | 1              | 1              |
| 33           | 10153-93      | QUICK DISCONNECT FITTING   | 1                | 1                | 1                | 1              | 1              | 1              |
| 34           | S13473-073    | HOSE-SIDE BURNER           | 1                | •                | •                | 1              | •              | •              |
|              | S13473-079    | HOSE-SIDE BURNER           | •                | 1                | •                | •              | 1              | •              |
|              | S13473-109    | HOSE-SIDE BURNER           | •                | •                | 1                | •              | •              | 1              |
| 34A          | Y-11230       | HAIR PIN -COTTER           | 1                | 1                | 1                | 1              | 1              | 1              |
| 35           | 29006-072IR   | CONTROL ASSEMBLY           | 1                | •                | •                | 1              | •              | •              |
|              | 29006-075IR   | CONTROL ASSEMBLY           | •                | 1                | •                | •              | 1              | •              |
|              | 29006-076IR   | CONTROL ASSEMBLY           | •                | •                | 1                | •              | •              | 1              |
| 36           | 10342-T41     | ELECTRODE – SIDE BURNER    | 1                | 1                | 1                | 1              | 1              | 1              |
| 37           | 20809-957     | TUBE-REAR BURNER ASSY      | 1                | 1                | 1                | 1              | 1              | 1              |
| 38           | Y-11990       | HEX NUT                    | 1                | 1                | 1                | 1              | 1              | 1              |
| 39           | 10110-74      | TUBE - COMPRESSION FITTING | 1                | 1                | 1                | 1              | 1              | 1              |
| 41           | 20153-64      | ORIFICE ADAPTER            | 1                | 1                | 1                | 1              | 1              | 1              |
| 42           | 10153-79      | FITTING                    | 1                | 1                | 1                | 1              | 1              | 1              |
| 43           | 10342-E13     | ELECTRODE                  | 2                | 2                | 2                | 2              | 2              | 2              |
| 43A          | 10342-E22     | ELECTRODE                  | 1                | 1                | 1                | 1              | 1              | 1              |
| 44           | 10342-45      | ELECTRONIC IGNITOR         | 1                | 1                | 1                | 1              | 1              | 1              |
| 44A          | 25070-93      | IGNITOR BUTTON             | 1                | 1                | 1                | 1              | 1              | 1              |
| 44B          | 25070-92      | IGNITOR HARNESS            | 1                | 1                | 1                | 1              | 1              | 1              |
| 45           | 10693-074     | ORIFICE                    | 1                | •                | •                | 1              | •              | •              |
|              | 10693-081     | ORIFICE                    | •                | 1                | •                | •              | 1              | •              |
|              | 10693-121     | ORIFICE                    | •                | •                | 1                | •              | •              | 1              |
| 46           | 23039-274     | GREASE PAN SUPPORT         | 2                | 2                | 2                | 2              | 2              | 2              |
| 47           | 21036-991     | GREASE RAIL                | 2                | 2                | 2                | 2              | 2              | 2              |
| 48           | 22009-901     | GREASE PAN                 | 1                | 1                | 1                | 1              | 1              | 1              |
| 49           | 27056-901     | GREASE TRAY                | 1                | 1                | 1                | 1              | 1              | 1              |
| 51           | 22209-904     | FLAV-R-WAVE ®              | 5                | 5                | 5                | 5              | 5              | 5              |
| 56           | 24006-12A     | HANDLE                     | 1                | 1                | 1                | 1              | 1              | 1              |
| 58           | 54009-936     | HANDLE BEZEL               | 2                | 2                | 2                | 2              | 2              | 2              |
| 59           | 10081-BK630   | NAMEPLATE                  | 1                | 1                | 1                | 1              | 1              | 1              |
| 60           | 10571-6       | HEAT INDICATOR             | 1                | 1                | 1                | 1              | 1              | 1              |
| 65           | 20005-000     | MATCH LIGHT - STICK        | 1                | 1                | 1                | 1              | 1              | 1              |

**PARTS LIST / LISTE DES PIECES**

| <u>KEY #</u> | <u>ITEM #</u> | <u>DESCRIPTION</u>   | <u>9987-82IR</u> | <u>9987-83IR</u> | <u>9987-86IR</u> | <u>9989-82</u> | <u>9989-83</u> | <u>9989-86</u> |
|--------------|---------------|----------------------|------------------|------------------|------------------|----------------|----------------|----------------|
| 68           | 23272-231A    | DOOR                 | 1                | 1                | 1                | .              | .              | .              |
|              | 23272-233A    | DOOR                 | .                | .                | .                | 1              | 1              | 1              |
| 70           | 21079-906     | HANDLE END CAP       | 6                | 6                | 6                | 6              | 6              | 6              |
| 71           | 21171-23      | HANDLE - SMALL       | 3                | 3                | 3                | 3              | 3              | 3              |
| 74           | Y-99100       | DRAWER SLIDE         | 4                | 4                | 4                | 4              | 4              | 4              |
| 77           | 21165-111A    | DRAWER ASSEMBLY      | 1                | 1                | 1                | .              | .              | .              |
|              | 21165-113A    | DRAWER ASSEMBLY      | 2                | 2                | 2                | 2              | 2              | 2              |
| 78           | 21336-111     | MAGNET BRACKET       | 1                | 1                | 1                | 1              | 1              | 1              |
| 80           | 21109-901R    | SIDE PANEL           | 2                | 2                | 2                | 2              | 2              | 2              |
| 83           | 21065-901R    | DRAWER CENTER MOUNT  | 1                | 1                | 1                | 1              | 1              | 1              |
| 84           | 21069-901     | DRAWER SUPPORT       | 1                | 1                | 1                | 1              | 1              | 1              |
| 88           | 21306-921R    | PANEL - REAR         | 1                | 1                | 1                | 1              | 1              | 1              |
| 90           | 51096-931     | BASE                 | 1                | 1                | .                | 1              | 1              | .              |
|              | 51096-951     | BASE                 | .                | .                | 1                | .              | .              | 1              |
| 100          | 21039-911     | CASTOR BRACKET       | 2                | 2                | 2                | 2              | 2              | 2              |
| 101          | 21039-301     | TANK BRACKET         | 1                | 1                | .                | 1              | 1              | .              |
| 102          | 10892-23      | CASTOR               | 2                | 2                | 2                | 2              | 2              | 2              |
| 102A         | 10892-285     | CASTOR               | 2                | 2                | 2                | 2              | 2              | 2              |
| 114          | 23101-113     | SHELF                | 1                | 1                | 1                | 1              | 1              | 1              |
| 115          | 23101-153     | SHELF-SIDEBURNER     | 1                | 1                | 1                | 1              | 1              | 1              |
| 124          | 23090-27      | SIDE BURNER BODY     | 1                | 1                | 1                | 1              | 1              | 1              |
| 125          | 23000-253     | COVER-SIDE BURNER    | 1                | 1                | 1                | 1              | 1              | 1              |
| 126          | 20390-74      | SIDE BURNER          | 1                | 1                | 1                | 1              | 1              | 1              |
| 127          | 18670         | SIDE BURNER SCREEN   | 1                | 1                | 1                | 1              | 1              | 1              |
| 128          | 23001-79      | GRID                 | 1                | 1                | 1                | 1              | 1              | 1              |
| 130          | 27906-354     | BURNER ROTISSERIE    | 1                | 1                | 1                | 1              | 1              | 1              |
| 131          | 10693-099     | REAR BURNER ORIFICE  | 1                | .                | .                | 1              | .              | .              |
|              | 10693-102     | REAR BURNER ORIFICE  | .                | 1                | .                | .              | 1              | .              |
|              | 10693-155     | REAR BURNER ORIFICE  | .                | .                | 1                | .              | .              | 1              |
| 133          | S15271        | HANDLE               | 1                | 1                | 1                | 1              | 1              | 1              |
| 134          | S15270        | BALANCER             | 1                | 1                | 1                | 1              | 1              | 1              |
| 135          | S15299        | WASHER               | 1                | 1                | 1                | 1              | 1              | 1              |
| 136          | S15263        | BUSHING              | 1                | 1                | 1                | 1              | 1              | 1              |
| 137          | S15259        | SPIT ROD             | 1                | 1                | 1                | 1              | 1              | 1              |
| 138          | S15287        | 4 PRONG FORKS        | 2                | 2                | 2                | 2              | 2              | 2              |
| 139          | 57039-901     | ROTISSERIE BRACKET   | 1                | 1                | 1                | 1              | 1              | 1              |
| 140          | S21125        | SCREW #8 X 1/2       | 4                | 4                | 4                | 4              | 4              | 4              |
| 141          | Y-11559       | SCREW 1/4-20 X 3/4   | 6                | 6                | 6                | 6              | 6              | 6              |
| 142          | S21127S       | SCREW #8-32 x 7/16   | 22               | 22               | 22               | 22             | 22             | 22             |
| 144          | Y-12220       | BUSHING              | 1                | 1                | 2                | 1              | 1              | 2              |
| 145          | S21235        | HINGE PIN            | 2                | 2                | 2                | 2              | 2              | 2              |
| 146          | S21233        | HITCH PIN CLIP       | 2                | 2                | 2                | 2              | 2              | 2              |
| 147          | Y-11231       | LID BUMPER           | 2                | 2                | 2                | 2              | 2              | 2              |
| 148          | 10240-20      | DOOR PIN             | 1                | 1                | 1                | 1              | 1              | 1              |
| 149          | Y-11551       | DOOR PIN 1/4-20 X 1  | 1                | 1                | 1                | 1              | 1              | 1              |
| 150          | Y-12124       | DOOR PIN CAP         | 1                | 1                | 1                | 1              | 1              | 1              |
| 151          | Y-11567       | SCREW M8 SHOULDER    | 8                | 8                | 8                | 8              | 8              | 8              |
| 152          | Y-12222       | MAGNET               | 1                | 1                | 1                | 1              | 1              | 1              |
| 153          | Y-12223       | SNAP IN MAGNET       | 1                | 1                | 1                | 1              | 1              | 1              |
| 154          | Y-11560       | SCREW 1/4-20 X 1-1/2 | 8                | 8                | 8                | 8              | 8              | 8              |
| 155          | S21124        | SCREW #8 X 1/2       | 20               | 20               | 20               | 20             | 20             | 20             |
| 156          | Y-11793       | NUT 1/4-20           | 8                | 8                | 8                | 8              | 8              | 8              |

**PARTS LIST / LISTE DES PIECES**

| <u>KEY #</u> | <u>ITEM #</u> | <u>DESCRIPTION</u>          | <u>9987-82IR</u> | <u>9987-83IR</u> | <u>9987-86IR</u> | <u>9989-82</u> | <u>9989-83</u> | <u>9989-86</u> |
|--------------|---------------|-----------------------------|------------------|------------------|------------------|----------------|----------------|----------------|
| 157          | Y-12835       | SCREW #6-32 X 1/4           | 2                | 2                | 2                | 2              | 2              | 2              |
| 158          | Y-12646       | SCREW - SHOULDER #8 X 1/2   | 2                | 2                | 2                | 2              | 2              | 2              |
| 159          | S21136        | SCREW #8-32 X 3/8           | 6                | 6                | 6                | 6              | 6              | 6              |
| 160          | Y-29304       | SCREW #10-24 X 3/8          | 2                | 2                | 2                | 2              | 2              | 2              |
| 161          | Y-29310       | SCREW #10-24 X 3/4          | 4                | 4                | 4                | 4              | 4              | 4              |
| 163          | S35094        | SCREW #10-24 X 5/8          | 1                | 1                | 1                | 1              | 1              | 1              |
| 164          | S21084        | SCREW #14 X 5/8             | 4                | 4                | 4                | 4              | 4              | 4              |
| 169          | S21061        | WING NUT                    | 2                | 2                | 2                | 2              | 2              | 2              |
| 170          | Y-12084       | NUT – 10-24                 | 6                | 6                | 6                | 6              | 6              | 6              |
| 171          | S15246        | MOTOR                       | 1                | 1                | 1                | 1              | 1              | 1              |
| 172          | S15517-011    | ELECTRODE ASSEMBLY          | 1                | 1                | .                | 1              | 1              | .              |
|              | S15517-018    | ELECTRODE ASSEMBLY          | .                | .                | 1                | .              | .              | 1              |
| 173          | S21362        | SPRING                      | 1                | 1                | 1                | 1              | 1              | 1              |
| 180          | S35095        | SCREW #10-24 X 5/8          | 2                | 2                | 2                | 2              | 2              | 2              |
| 181          | 25070-91      | WIRE HARNESS - LIGHT SWITCH | 1                | 1                | 1                | 1              | 1              | 1              |
| 181A         | 25070-95      | LIGHT SWITCH                | 1                | 1                | 1                | 1              | 1              | 1              |
| 182          | 25020-71      | OVEN LIGHT                  | 2                | 2                | 2                | 2              | 2              | 2              |
| 183          | 20589-CH      | TRANSFORMER PLUG            | .                | 1                | 1                | .              | 1              | 1              |
|              | 20589-EU      | TRANSFORMER PLUG            | 1                | 1                | 1                | 1              | 1              | 1              |
|              | 20589-UK      | TRANSFORMER PLUG            | .                | 1                | 1                | .              | 1              | 1              |
| 184          | 20589-90U     | TRANSFORMER                 | 1                | 1                | 1                | 1              | 1              | 1              |
| 185          | 25030-72      | WIRE HARNESS - OVEN LIGHTS  | 1                | 1                | 1                | 1              | 1              | 1              |
| 186          | Y-12865       | SCREW 1/4-20 X 1/2          | 32               | 32               | 28               | 32             | 32             | 28             |
| 190          | 25020-83      | WIRE HARNESS - LED X3       | 1                | 1                | 1                | 1              | 1              | 1              |
| 191          | 25020-84      | WIRE HARNESS - LED X4       | 1                | 1                | 1                | 1              | 1              | 1              |
| 192          | Y-29306       | SCREW #10-24 X 3/4          | 4                | 4                | 4                | 4              | 4              | 4              |
| 193          | SP11-25       | LID BUMPER                  | 2                | 2                | 2                | 2              | 2              | 2              |
| 194          | S15508        | ELECTRODE                   | 1                | 1                | 1                | 1              | 1              | 1              |

